

Premium High Force Linear Actuator



Premium High Force Linear Actuators offer an astounding 400 lbs of force in the same compact and versatile design as the Classic Actuator. With an IP rating of 66 and strokes available from 2 - 30 inches, this actuator is suitable for almost any environment. The high grade aluminum housing resists corrosion and provides you with maximum life and value.

Standard Features and Benefits

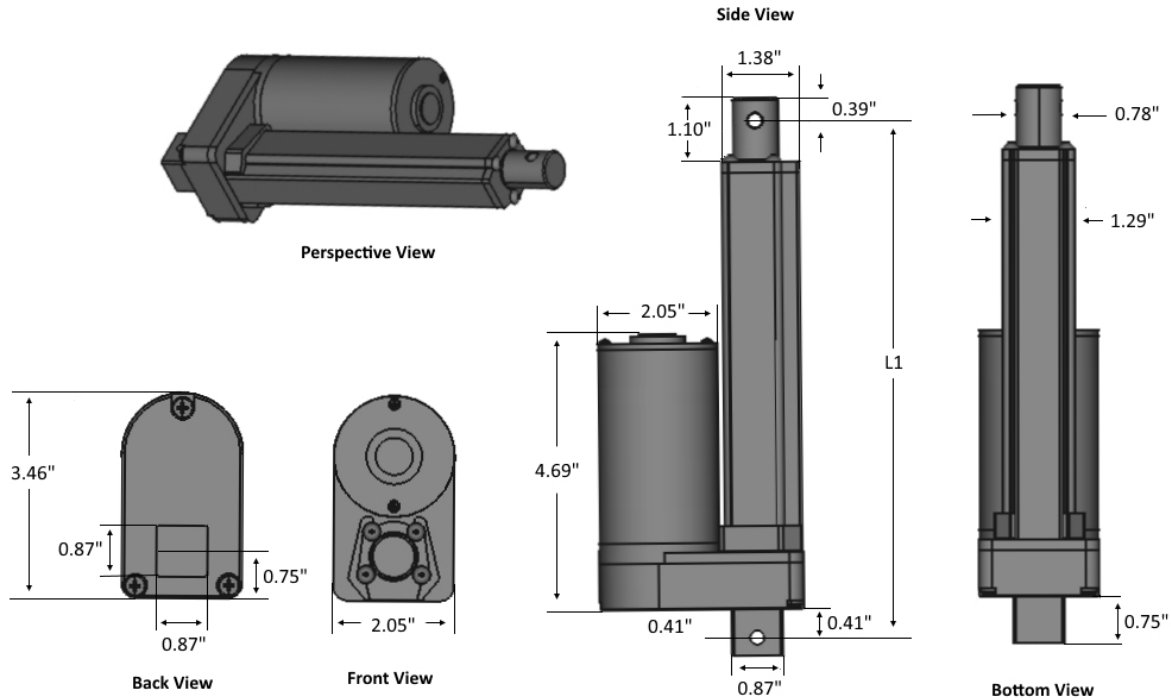
- **Internal limit switches** automatically shut off the unit at the end of stroke
- **Standard stroke lengths** of 2, 4, 6, 9, 12, 18, 24 and 30 inches are available
- **400 lbs. of force** at an extension speed of 0.30 inches per second
- **IP 66 rated** - dust proof and waterproof
- **Temperature operating range** of -15°F to 150°F (-26°C to 65°C)
- **High grade aluminum housing** resists corrosion
- **Custom strokes, speeds, or forces** available upon request
- **24 volt DC** models available upon request
- **Maintenance free**
- **CE and RoHS** certified

Specifications

Model	FA-400-12-X-P
Dynamic Force	400 lb
Static Force	800 lb
Speed (inches/second)	0.30 inches
Duty Cycle	25%
Stroke Length	2, 4, 6, 9, 12, 18, 24 and 30 inches
IP Rating	66
Input	12 volt DC
Max Draw	5 A
Clevis End	1/4" diameter
Operational Temperature	-15°F to 150°F (-26°C to 65°C)
Limit Switch	Built-in (factory preset)
Safety Certifications	CE, RoHS
Brackets	MB1-P

Dimensions and Weight

Stroke	Retracted Length	Extended Length	Weight
2 "	6.34 "	8.34 "	2.64 lbs
4 "	8.58 "	12.58 "	2.88 lbs
6 "	10.55 "	16.55 "	3.10 lbs
9 "	13.50 "	22.50 "	3.46 lbs
12 "	16.45 "	28.45 "	3.74 lbs
18"	22.36 "	40.36 "	4.36 lbs
24 "	28.27 "	52.27 "	5.00 lbs
30 "	34.17 "	64.17 "	5.62 lbs



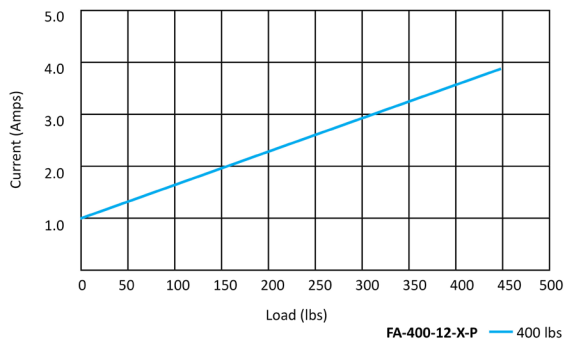
Stroke	2"	4"	6"	9"	12"	18"	24"	30"
L1	6.34"	8.58"	10.55"	13.50"	16.45"	22.36"	28.27"	34.17"

*Stroke length tolerance: ± 0.125 "

FA-400-12-X-P

Performance Graphs

12V DC Current vs Load



12V DC Speed vs Load

