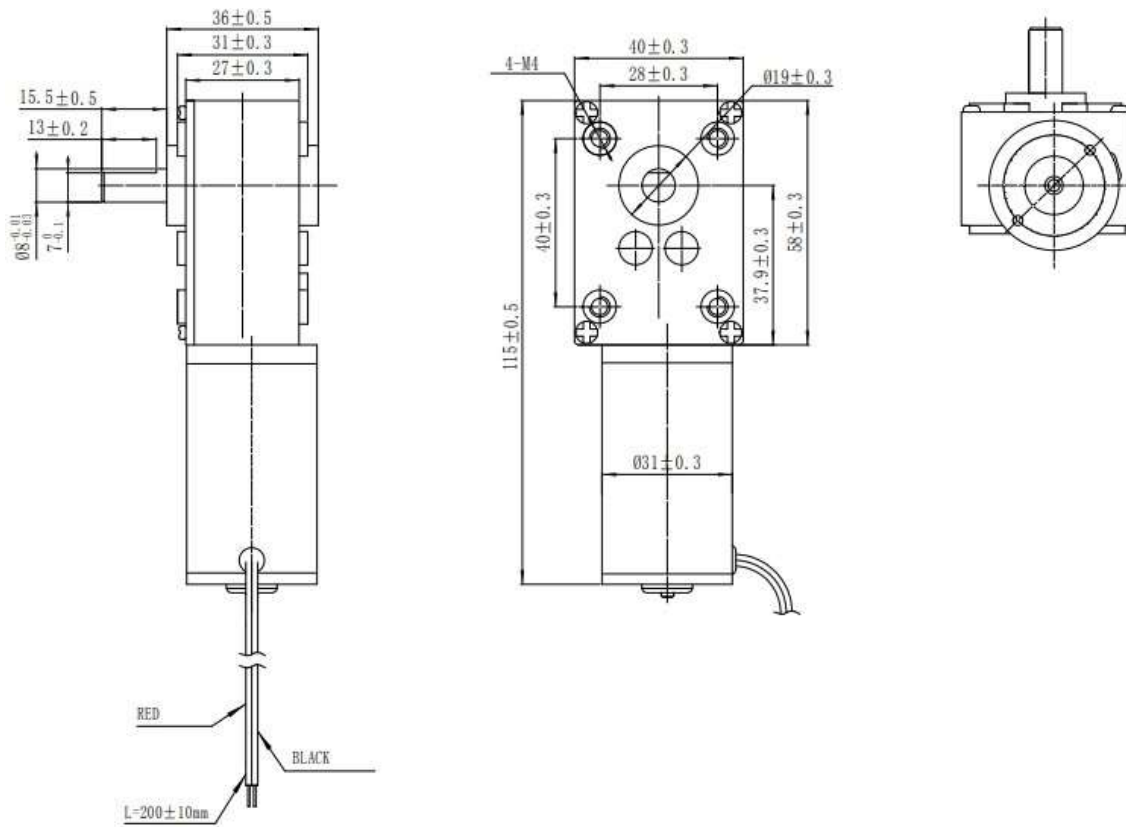


Model: FA-GM-58-12-250

FIRGELLI® Rotary Actuator Worm Gear Motors – 12vdc input, with 8mm D-shaft output for high torque applications.



**Specification:**

SKU FA-GM-58-12-250	VOLTAGE	AMPS	INPUT POWER (WATTS)	TORQUE (KG-CM)	RPM	OUTPUT POWER (WATTS)	EFFICIENCY
NO LOAD	12.00	0.229	2.753	0.00	32.8	0.00	0.00
AT MAX EFFICIENCY	11.87	1.274	15.24	9.89	28.1	2.854	18.7
OUTPUT POWER	11.55	3.866	45.95	34.47	16.4	5.809	12.6
STALL	11.04	7.513	88.44	69.05	0.00	0.00	0.00