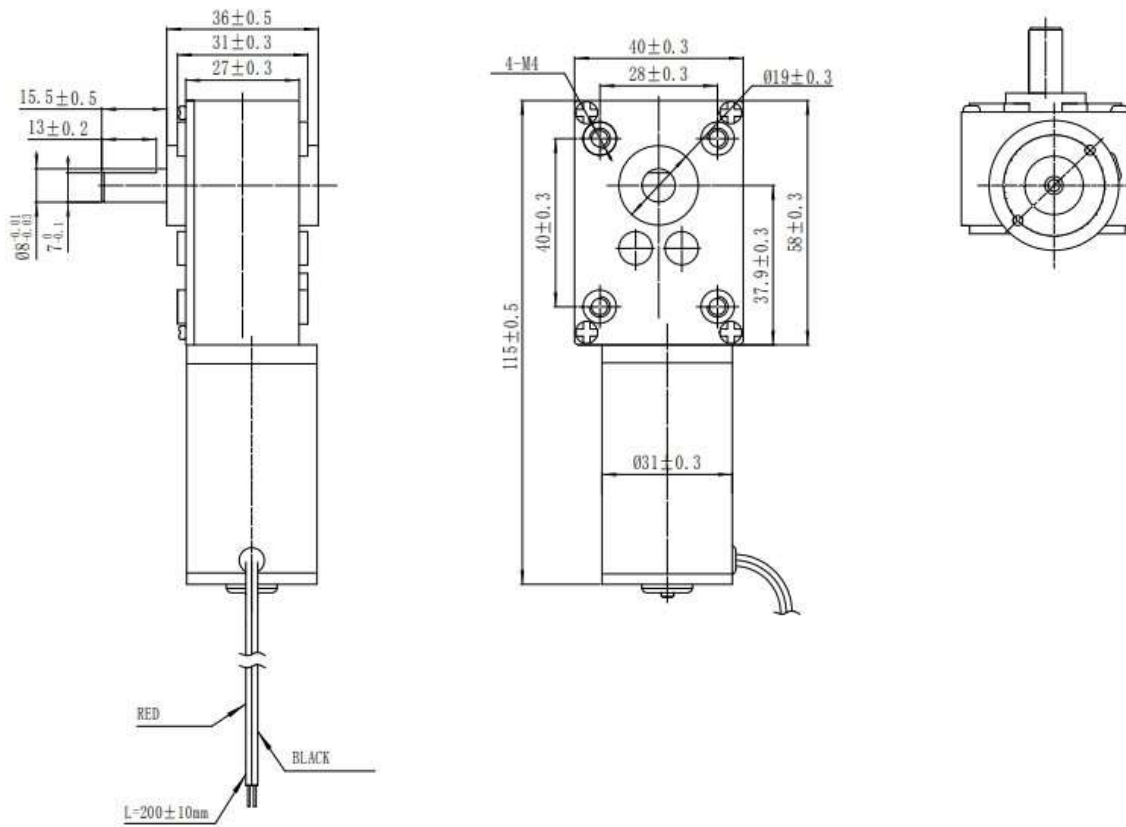


Model: FA-GM-58-12-109

FIRGELLI® Rotary Actuator Worm Gear Motors – 12vdc input, with 8mm D-shaft output for high torque applications.



Specification:

SKU FA-GM-58-12-109	VOLTAGE	AMPS	INPUT POWER (WATTS)	TORQUE (KG-CM)	RPM	OUTPUT POWER (WATTS)	EFFICIENCY
NO LOAD	12.03	0.255	3.072	0.00	74.0	0.00	0.00
AT MAX EFFICIENCY	11.99	1.399	16.78	4.102	63.0	2.656	15.80
OUTPUT POWER	11.90	4.225	50.29	14.235	36.1	5.274	10.50
STALL	11.79	8.005	94.36	27.787	0.00	0.00	0.00