

Adjustable Limit Linear Actuators

PATENT PENDING



Standard Features and Benefits

- **Worlds first externally adjustable limit switch Actuator**
Adjust the end of stroke stopping position by up to 1"
- **Internal limit switches** automatically shut off the unit at the end of stroke
- **Standard stroke lengths** of 1, 2, 3, 4, 6, 9, 12, 18, 24 and 30 inches are available
- **200 lbs. of force** at an extension speed of .24 inches per second, **150 lbs. of force** at .3 inches per second, and **35 lbs. of force** at 2 inches per second
- **IP 66 rated** - dust proof and water resistant
- **Temperature operating range** of -15°F to 150°F (-26°C to 65°C)
- **High grade aluminum housing** resists corrosion
- **Custom strokes, speeds, or forces** available upon request
- **Maintenance free**
- **CE and RoHS certified**

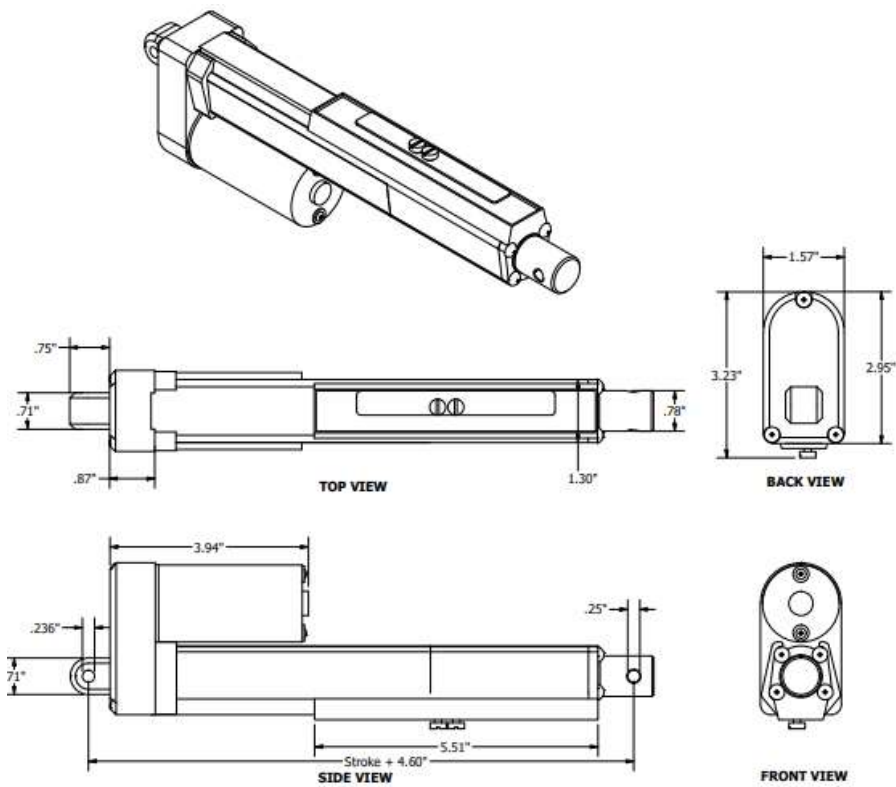
Premium Linear Actuators are compact and versatile to suit the needs of a variety of automation projects. They are IP66 rated and manufactured with enhanced corrosion resistance to provide maximum life and value. Standard strokes up to 30 inches and forces up to 200 lbs are available as well as custom strokes and forces.

Specifications

| Model | FA-35-12-(X)- AL | FA-150-12-(X)- AL | FA-240-12-(X)- AL |
|-------------------------|---|-------------------|-------------------|
| Dynamic Force | 35 lb | 150 lb | 200 lb |
| Static Force | 200 lb | 500 lb | 500 lb |
| Speed (inches/second) | 2 inches | 0.30 inches | 0.24 inches |
| Duty Cycle | 25% | | |
| Stroke Length | 1, 2, 3, 4, 6, 9, 12, 18, 24 and 30 inches | | |
| IP Rating | 66 | | |
| Input | 12 volt DC | | |
| Max Draw | 5 A | | |
| Clevis End | 1/4" diameter | | |
| Operational Temperature | -15°F to 150°F (-26°C to 65°C) | | |
| Limit Switch | Extended Limit is adjustable by up to 1" - Retracted limit is fixed | | |
| Safety Certifications | CE, RoHS | | |

Dimensions and Weight

| Stroke | Retracted Length | Extended Length | Weight |
|--------|------------------|-----------------|----------|
| 1 " | 5.53 " | 6.53 " | 1.60 lbs |
| 2 " | 6.53 " | 8.53 " | 1.68 lbs |
| 3 " | 7.53 " | 10.53 " | 1.84 lbs |
| 4 " | 8.53 " | 12.53 " | 1.92 lbs |
| 6 " | 10.53 " | 16.53 " | 2.12 lbs |
| 9 " | 13.53 " | 22.53 " | 2.48 lbs |
| 12 " | 16.53 " | 28.53 " | 2.78 lbs |
| 18 " | 22.53 " | 40.53 " | 3.40 lbs |
| 24 " | 28.53 " | 52.53 " | 4.02 lbs |
| 30 " | 34.53 " | 64.53 " | 4.68 lbs |



Performance Graphs

