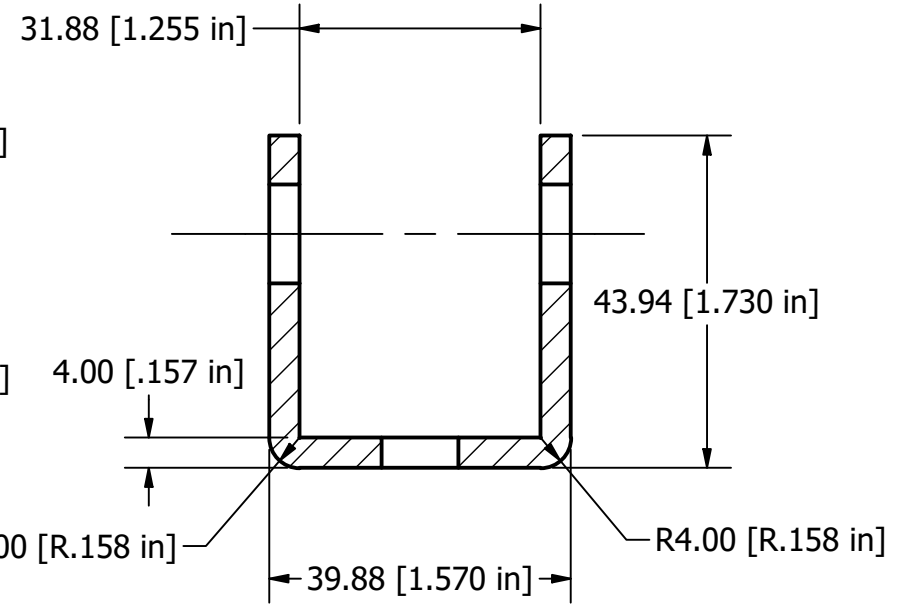
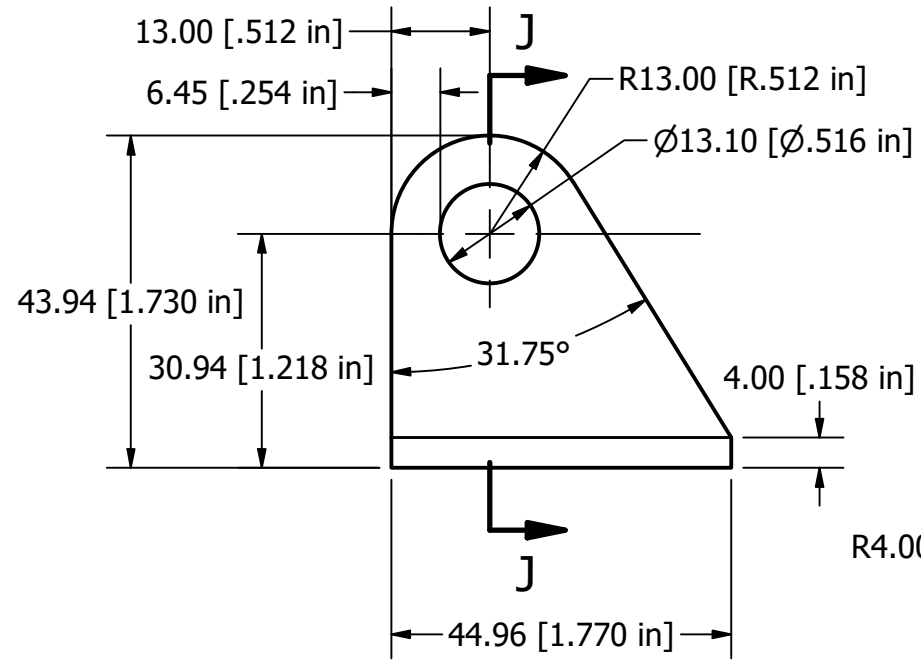
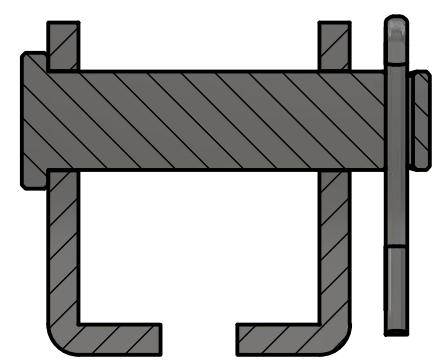
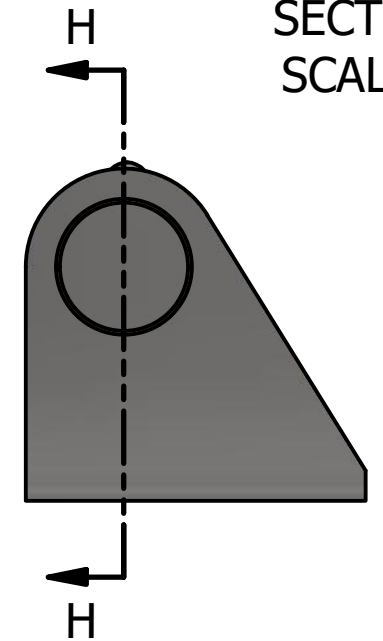
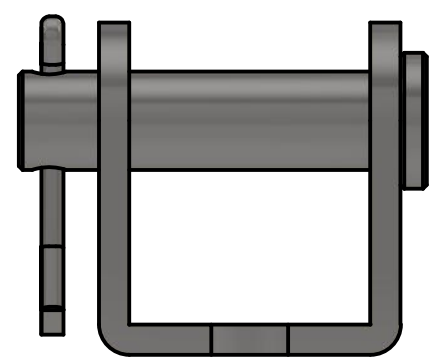
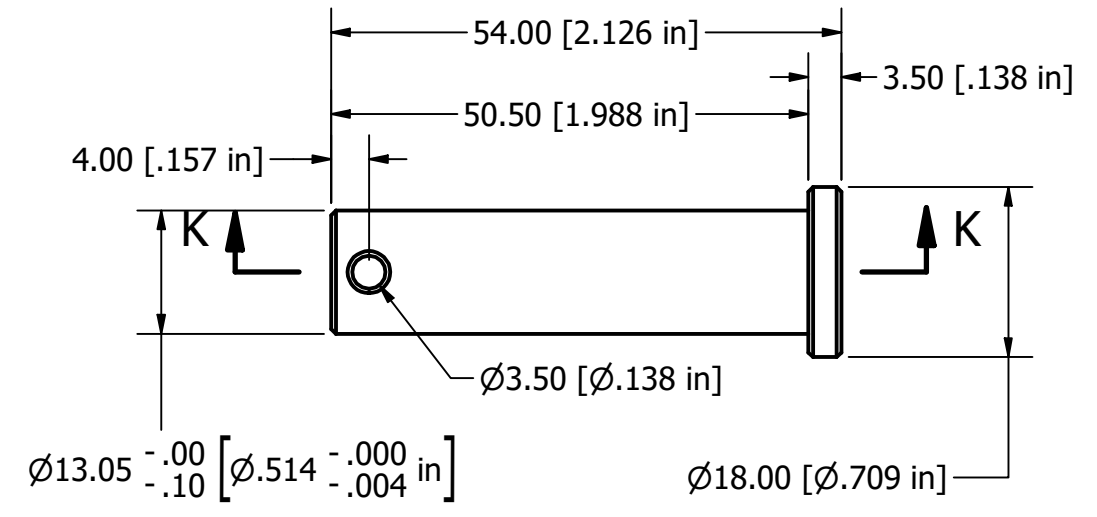


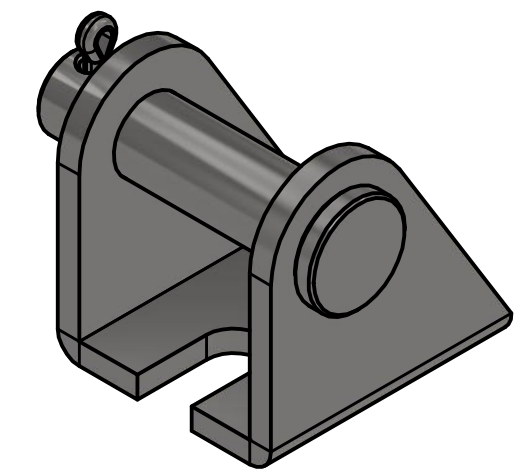
SECTION K-K
SCALE 1.25 : 1



SECTION J-J
SCALE 1 : 1



SECTION H-H
SCALE 1 : 1



SIZE A3	DWG NO MB-18 Bracket Drawing	REV
SCALE 1 : 1	SHEET 1 OF 1	