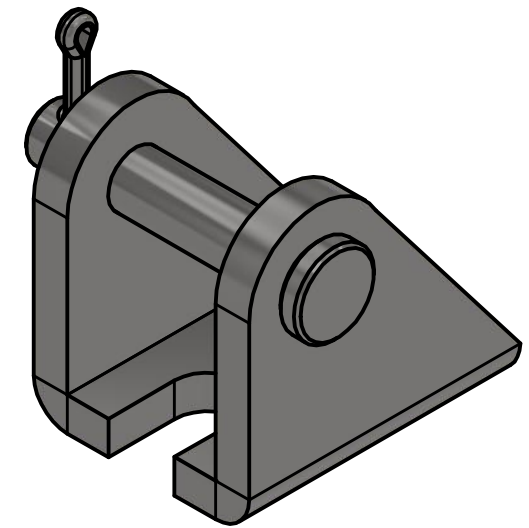


SECTION C-C
SCALE 1 : 1



SIZE A3	DWG NO MB-17 Bracket Drawing	REV
SCALE 1 : 1	SHEET 1 OF 1	