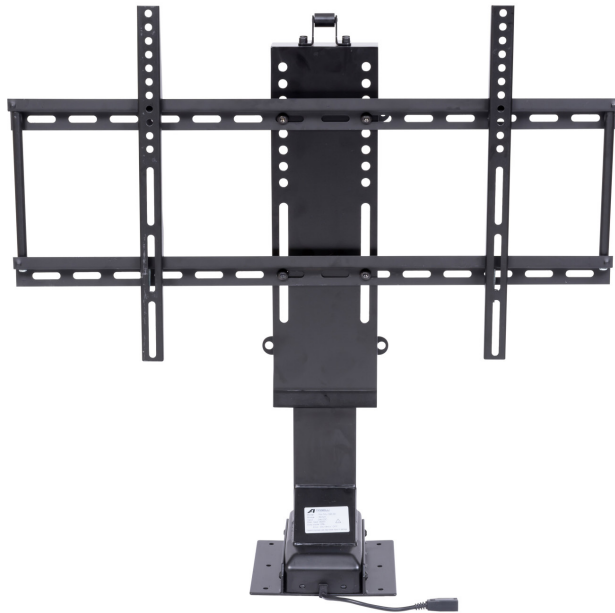


Floor Mount Pop-Up TV Lift



The Floor Mount Pop-Up TV Lift is the perfect home automation solution for keeping your TV out of sight. At the press of a button your TV can lift smoothly and quietly out of a cabinet or where ever you can mount the bracket firmly to the floor. Capable of lifting TV's from 20 - 60" and up to 135 lbs, this TV lift is suitable for all your TV automation projects.

Standard Features and Benefits

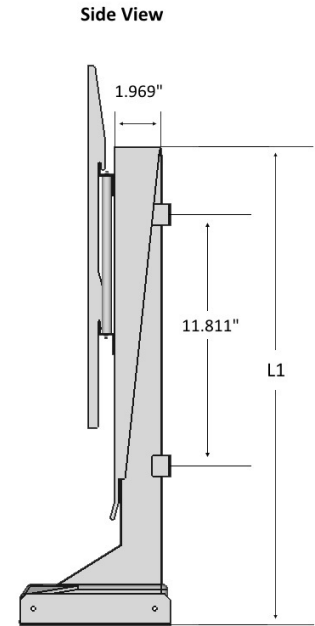
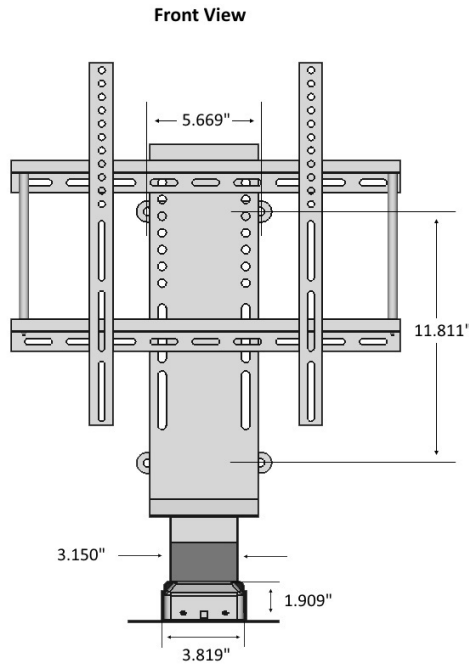
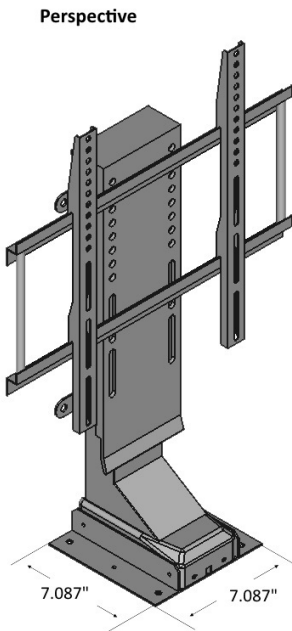
- **Internal limit switches** automatically shut off the unit at the end of stroke
- Available with **30, 36, or 39 inches of stroke** to fit your TV size and custom project
- Comes with **roller top fixture** for use in a cabinet with lid that flips back and closes automatically
- **135 lbs. total lift capacity** - suitable for majority of TV's
- **No exposed tracks, gears, or scissors**
- Worm gear drive system provides **quiet operation**
- **Temperature operating range** of -15°F to 150°F (-26°C to 65°C)
- Comes with **RF Remote and Wired Controller**
- **Programmable memory** allows you to set stopping point of lift
- **No professional installation required**
- **Maintenance free**
- **CE and RoHS certified**

Specifications

Model	FA-TVL-180-30	FA-TVL-180-36	FA-TVL-180-40
Stroke	30 inches	36 inches	39 inches
Load Capacity	135 lbs		
Speed (inches/second)	0.87 inches		
Duty Cycle	10% max. 2 min. on 10 min. off		
Input Voltage	110V AC		
Output Voltage	24V DC		
IP Rating	43		
Noise	5 dB above ambient		
Operational Temperature	-15°F to 150°F (-26°C to 65°C)		
Limit Switch	Built-in (factory preset)		
Safety Certifications	CE, RoHS		
Material	Powder Coated Steel		
Control Options	RF Wireless Remote and Wired		

Dimensions

Model	Retracted Length	Stroke	Recommended TV Size
FA-TVL-180-30	24.02 "	30 "	32-43" TV
FA-TVL-180-36	28.35 "	36 "	40-55" TV
FA-TVL-180-40	31.89 "	40 "	50-60 " TV



Models	L1	Stroke
FA-TVL-180-30	24.016"	30"
FA-TVL-180-36	28.347"	36"
FA-TVL-180-40	31.969"	39.370"

FA-TVL-180-30
FA-TVL-180-36
FA-TVL-180-40

