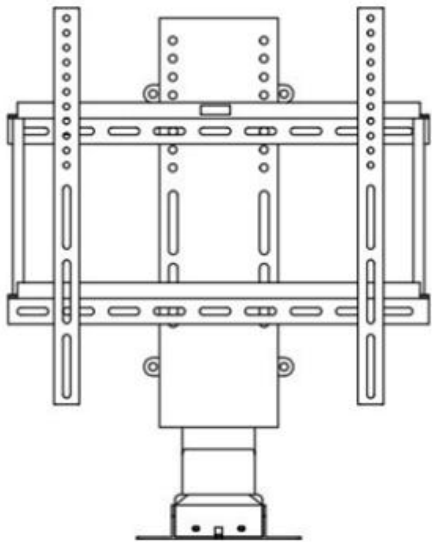




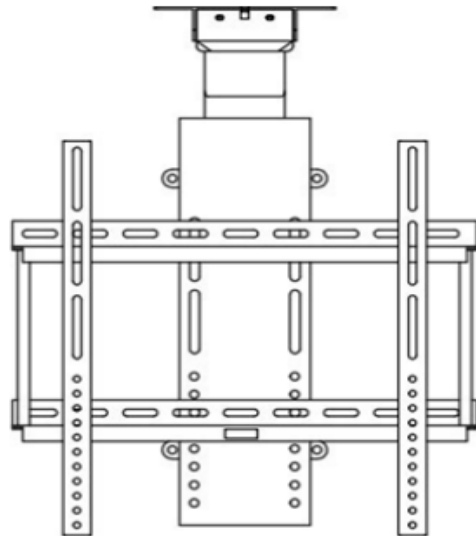
POP-UP / DROP DOWN TV LIFT KIT ASSEMBLY INSTRUCTIONS

Models:
FA-TVL-180-25
FA-TVL-180-30
FA-TVL-180-36
FA-TVL-180-40

The FA-TVL-180 TV Lift can be installed as a pop up TV lift or as a drop down TV lift.



Pop Up TV Lift



Drop Down TV Lift



POP-UP / DROP DOWN TV LIFT KIT ASSEMBLY INSTRUCTIONS

MODELS: FA-TVL-180-25 / FA-TVL-180-30 / FA-TVL-180-36 / FA-TVL-180-40

Please take time to identify all the parts and hardware prior to assembly. Lay out all the components on a padded/carpeted area to avoid damage.

TOOLS REQUIRED

Allen Wrenches
M6 M8



Phillips head screw



HARDWARE



2 Screws M5x50
M5x50



4 Screws
M6x16



8 Hex Bolts
M6x14



4 Hex Bolts
M8x16



4 Nuts
M8



8 Spring Washers
M6



8 Washers
M6

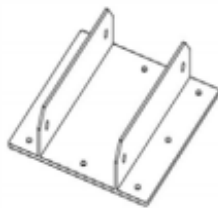
COMPONENTS



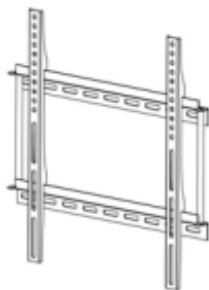
1
Column



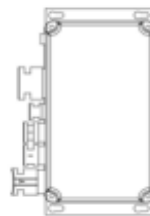
1
Mounting Base



1
Mounting Bracket



1
TV Mounting Bracket



1
Control Box



1
Handset



1
Remote

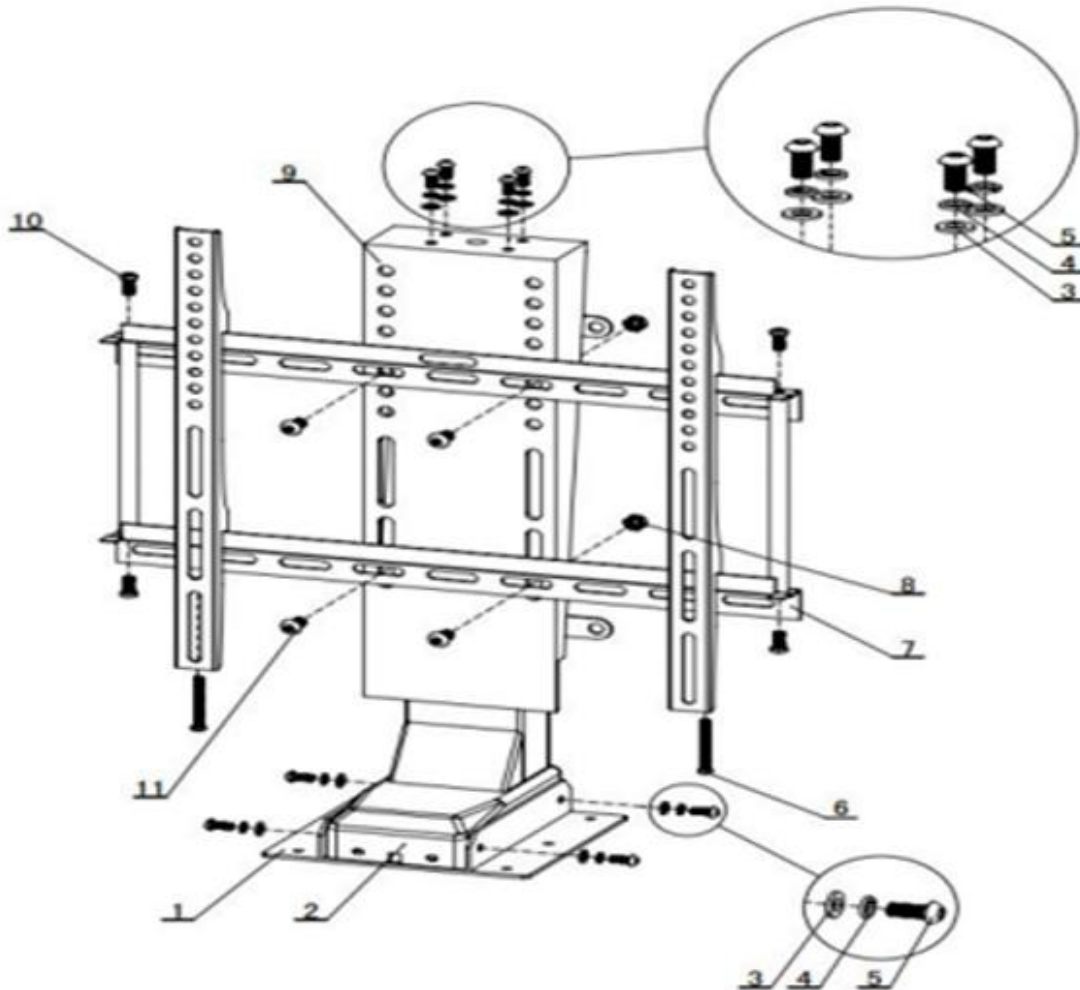


1
Connection Cable /
Power Cable

POP-UP / DROP DOWN TV LIFT KIT ASSEMBLY INSTRUCTIONS

MODELS: FA-TVL-180-25 / FA-TVL-180-30 / FA-TVL-180-36 / FA-TVL-180-40

NO.	TYPE	QTY
1	Mounting Base	1
2	Column	1
3	Washers M6	8
4	Spring Washers M6	8
5	Hex Bolts M6x14	8
6	Screws M5x50	2
7	TV Mounting Bracket	1
8	Nuts M8	4
9	Mounting Bracket	1
10	Screws M6x16	4
11	Hex Bolts M8x16	4
12	Connection and Power Cable	1
13	Remote	1
14	Handset	1
15	Control Box	1

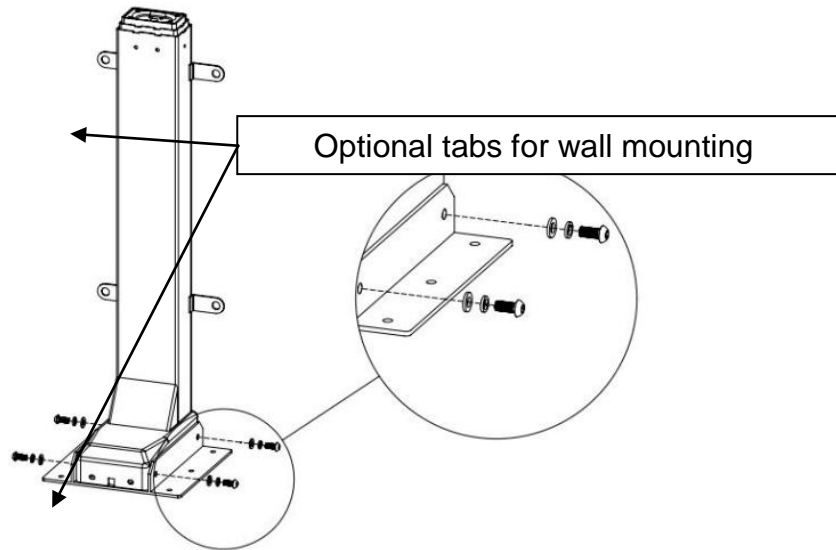


POP-UP / DROP DOWN TV LIFT KIT ASSEMBLY INSTRUCTIONS

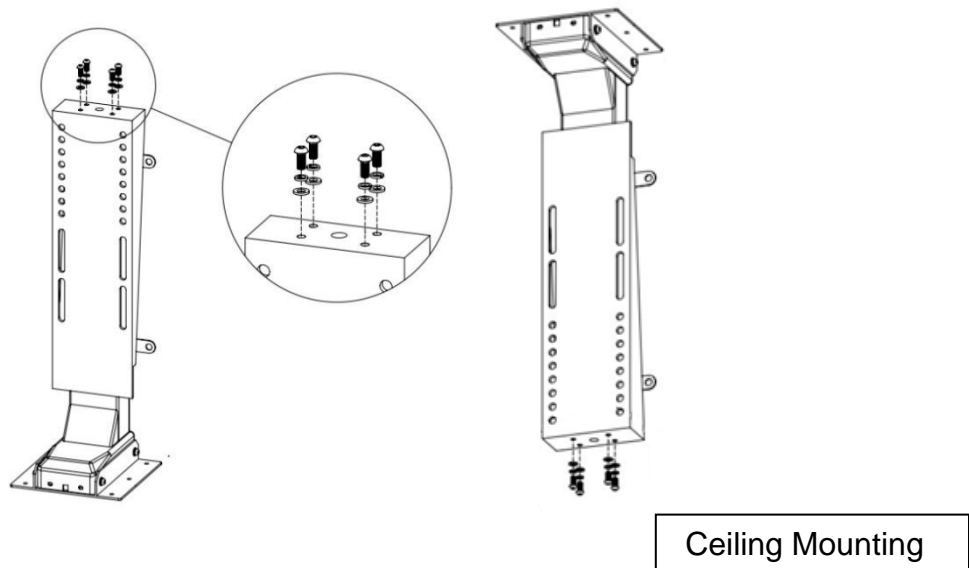
MODELS: FA-TVL-180-25 / FA-TVL-180-30 / FA-TVL-180-36 / FA-TVL-180-40

When installing the TV Lift you have two mounting options. You can use the base plate and mount it to the bottom of a cabinet or floor, or if using in a drop down application you mount the base plate to an anchor point above or at the ceiling. The second option is to use the 4 back mounting tabs to mount it against a wall or the back of a cabinet which also works in a drop down application.

1. First mount the base plate to the floor or ceiling if used upside down. Then use **4 Hex Bolts M6x14**, each with a Spring Washer and Washer, to attach the **Mounting Base** to the bottom of the **Column**. Tighten the 4 Bolts (2 per side).



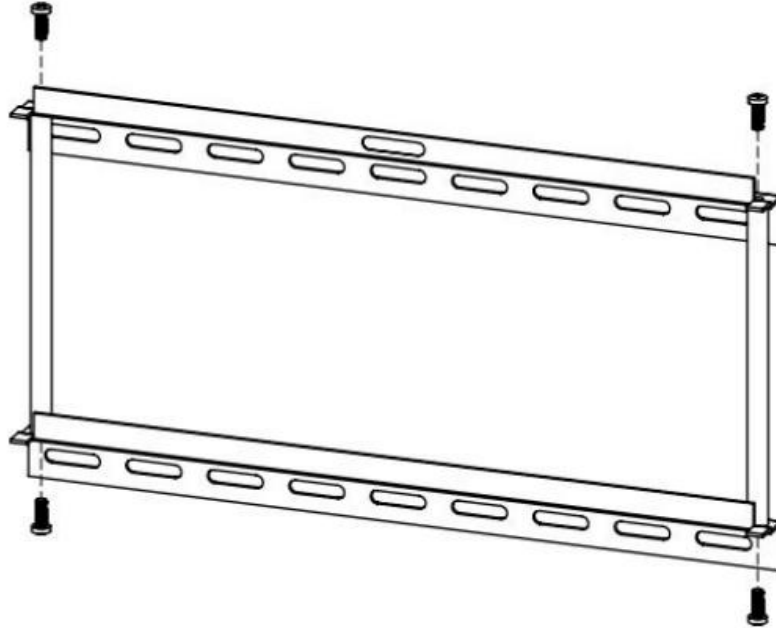
2. Use **4 Hex Bolts M6x14**, each with a Spring Washer and Washer, to attach the **Mounting Bracket** to the top of the **Column**. Tighten the 4 Bolts.



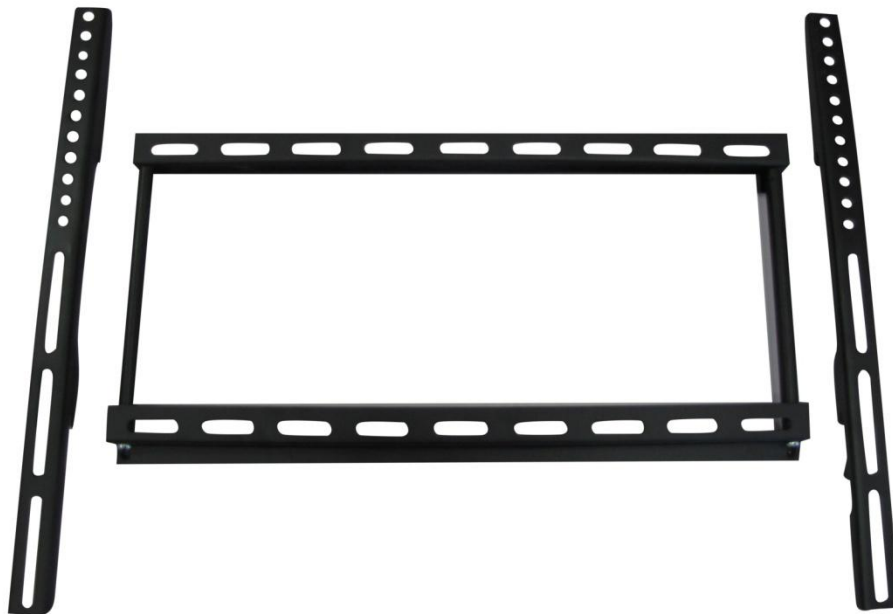
POP-UP / DROP DOWN TV LIFT KIT ASSEMBLY INSTRUCTIONS

MODELS: FA-TVL-180-25 / FA-TVL-180-30 / FA-TVL-180-36 / FA-TVL-180-40

3. Use **4 Screws M6x16**, to assemble the **TV Mounting Bracket** as follows.



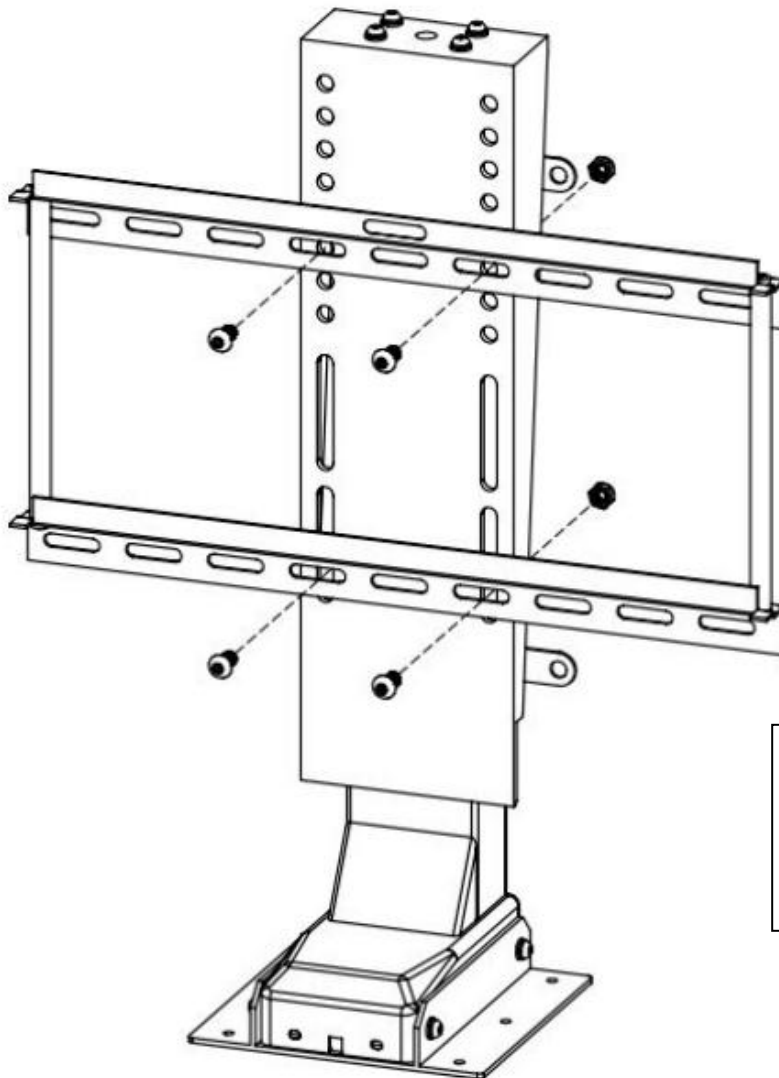
The long arms will attach to the back of your flat screen TV. All TV's come with the same mounting holes, this bracket is designed to be universal so that it works with all TV's and gives you flexibility to position the TV relative to the Lift however you prefer.



POP-UP / DROP DOWN TV LIFT KIT ASSEMBLY INSTRUCTIONS

MODELS: FA-TVL-180-25 / FA-TVL-180-30 / FA-TVL-180-36 / FA-TVL-180-40

4. Use **4 Hex Bolts M8x16**, with **4 Nuts M8**, to attach the **TV Mounting Bracket** to the **Mounting Bracket**. Tighten the 4 Bolts. The Mounting Bracket comes with different mounting positions to allow for different sized TV's.

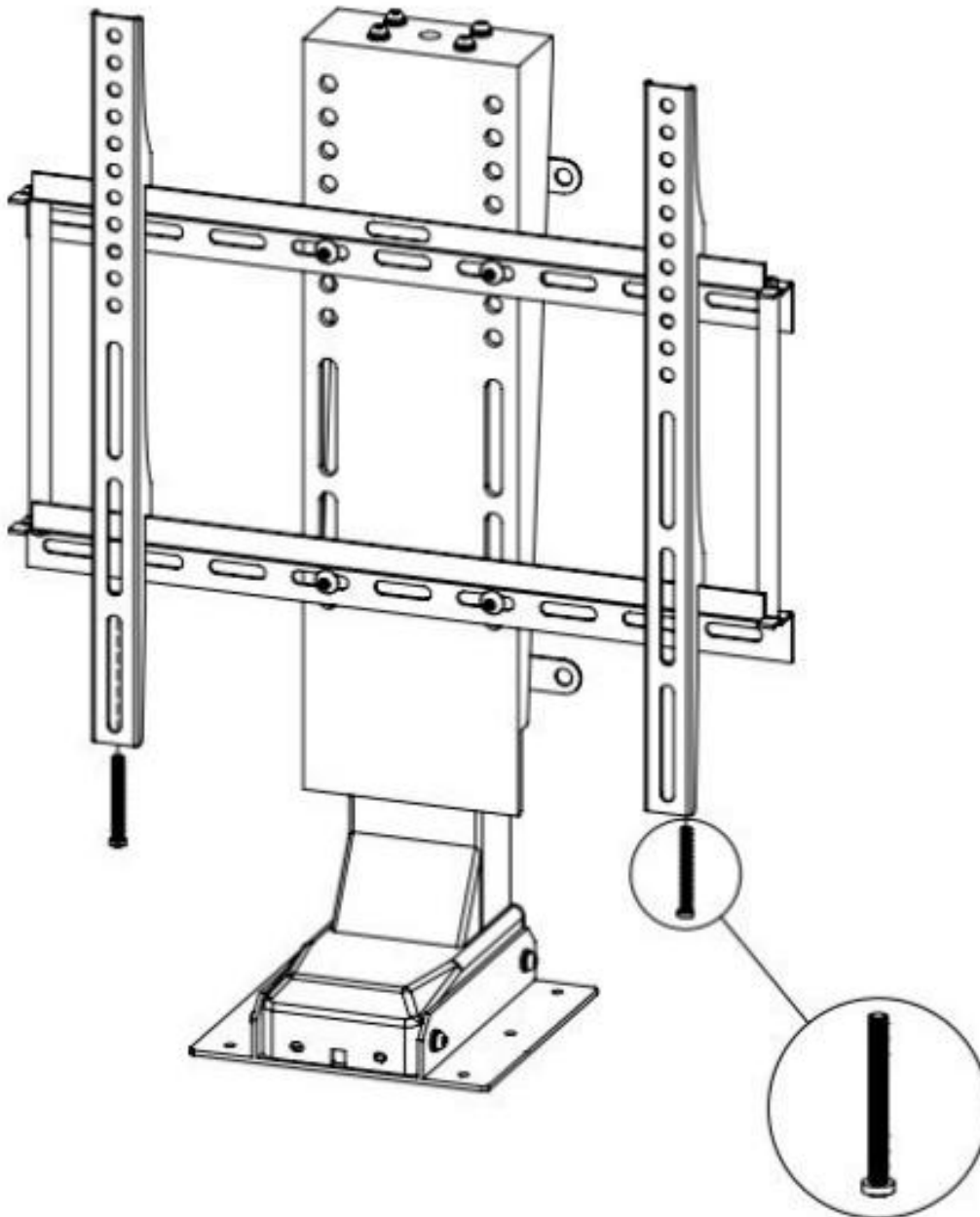


REMEMBER – IF YOU ARE USING THE TV LIFT IN AN UPSIDE DOWN APPLICATION TO INSTALL THE BRACKET ON THE LIFT UPSIDE DOWN ALSO

POP-UP / DROP DOWN TV LIFT KIT ASSEMBLY INSTRUCTIONS

MODELS: FA-TVL-180-25 / FA-TVL-180-30 / FA-TVL-180-36 / FA-TVL-180-40

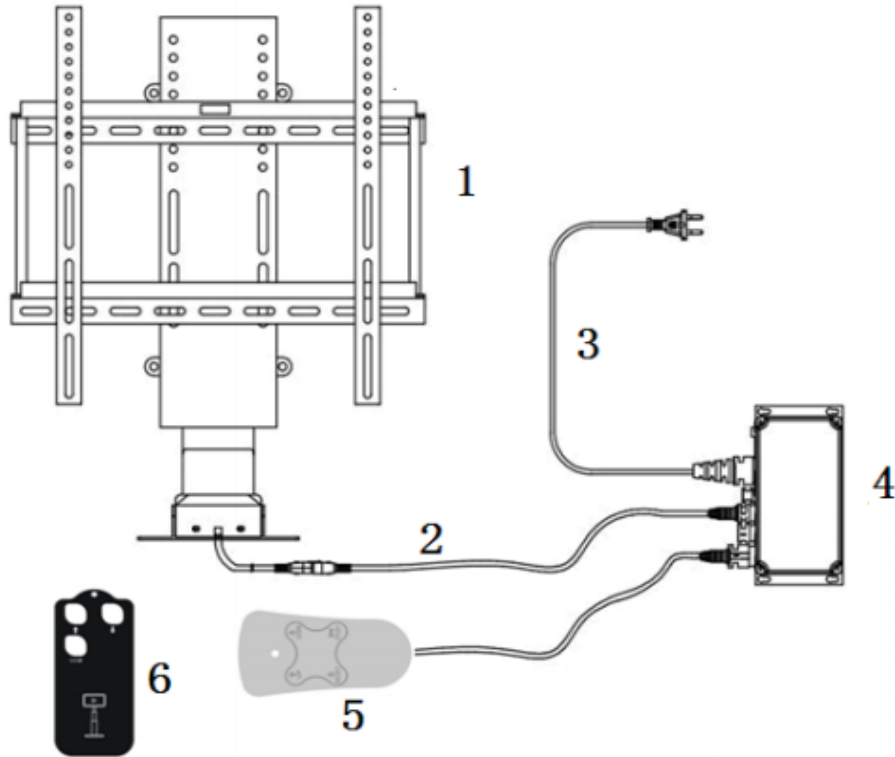
5. Secure the other 2 long arms of the TV Mounting Bracket onto the back of the TV set with 4 screws included with the TV set. Then hang the TV set onto the **TV Mounting Bracket** as shown. Use **2 M5x50 screws** to tighten on the bottom.



POP-UP / DROP DOWN TV LIFT KIT ASSEMBLY INSTRUCTIONS

MODELS: FA-TVL-180-25 / FA-TVL-180-30 / FA-TVL-180-36 / FA-TVL-180-40

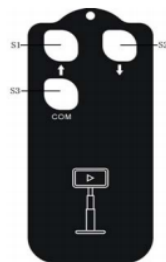
6. Connect the wires as per the diagram below. Now your TV lift is ready for use. (Press the buttons of the **handset** and the column will move up/down).



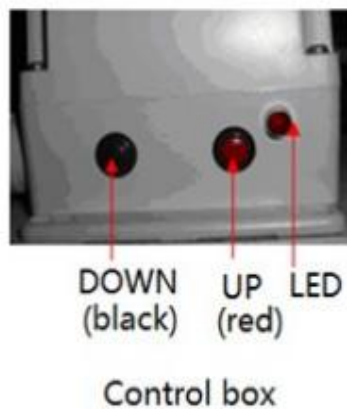
7. Operating: You can use the wireless **Remote** or the **Handset** to operate the TV lift.

(1) Handset: Press the UP button, the TV lift will move up. Press the DOWN button, the TV lift will move down. During movement press the UP or DOWN button to stop the TV lift.

(2) Wireless Remote: Press the COM and the S1 button to move the TV up. Press COM and S2 to move the TV down. To stop the TV while it is moving just push S1 or S2 again.



8. Setting the Top and Bottom position of the TV Lift: The FA-TVL-180 TV lift comes with **adjustable limit switches** so you can set the lift to stop and start according to the size of your TV.
 - a. Press the UP button on the **handset** to extend the TV lift to the point you want to set as the upper limit. Press the UP button again to stop it there. Then hit the **RED** button on the **Control Box**.
 - b. Press the DOWN button on the **handset** to bring the lift down to the point you want to set as the lower limit. Press the DOWN button again to stop it there. Then hit the **BLACK** button on the **Control Box**.



9. Resetting the Top and Bottom position of the TV Lift: If you need to reset the top and bottom limits on the TV lift follow this procedure:
 - a. Press the **UP** button on the **Handset** and the **RED** up button on the **Control Box** at the same time. TV will lift up. Release the 2 buttons when the TV is in the new top position you want.
 - b. Press the **Down** button on the **Handset** and **Black** button on the **Control Box** at the same time. TV will move down. Release the 2 buttons when the TV is in the new bottom position you want. Now the TV will only move between the new top and bottom positions.

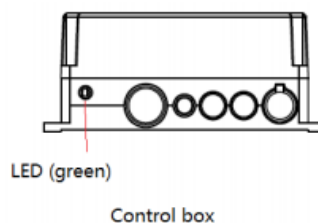
10. Other Information:

- a. Time Protection: As a safety feature the TV lift has a time limit protection. You can only operate the lift for 3 minutes out of every 20 minutes. If the lift has been operating for more than 3 minutes the system will stop moving and the LED on the **Control Box** will blink. You should wait 20 minutes or cut off the power to the **Control Box** and then you can operate the TV lift again.
- b. RESET the System: If you have a problem with the system and the TV lift is not moving when you push the UP/DOWN buttons, you should try to **RESET** the system with the following procedure:



WARNING: The TV lift will move to the zero position when RESET. Make sure there is no obstruction under the TV set.

Reconnect the cables. Turn off the power to the **Control Box** and turn on the power again. Be sure the green LED light on the **Control Box** is on. Press the **RESET** button on the **Handset** and hold it. After 5 seconds the TV lift will move down slowly to the zero position and move up 7 mm and stop. The RESET procedure is finished. During the RESET procedure make sure you hold the RESET button and that the LED light on the **Handset** is blinking. When the RESET is finished the LED will turn off. You can operate the system now.

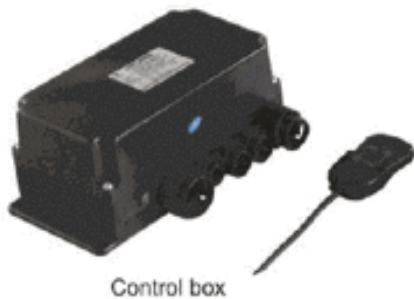


POP-UP / DROP DOWN TV LIFT KIT ASSEMBLY INSTRUCTIONS

MODELS: FA-TVL-180-25 / FA-TVL-180-30 / FA-TVL-180-36 / FA-TVL-180-40

Specifications:

Model	FA-TVL-180-25	FA-TVL-180-30	FA-TVL-180-36	FA-TVL-180-40
Stroke	25.5"	30"	36"	40"
Retracted Length	22.4"	24.02"	28.35"	31.89"
Extended Length	48"	54.02"	64.35"	70.89"
TV Sizes	25" – 60"			
Input Voltage	110 VAC or 230 VAC			
Force	150 lbs.			
Lifting Speed	0.87"/second (with load)			
Duty Cycle	10%, max 2 min. continuous use			
Operating Temperature	+5° C - +40° C			
Overload Protection	Built-In			
Material	Powder Coated Steel			
Additional Feature	Adjustable Height			



Thank you for purchasing our TV Lift.