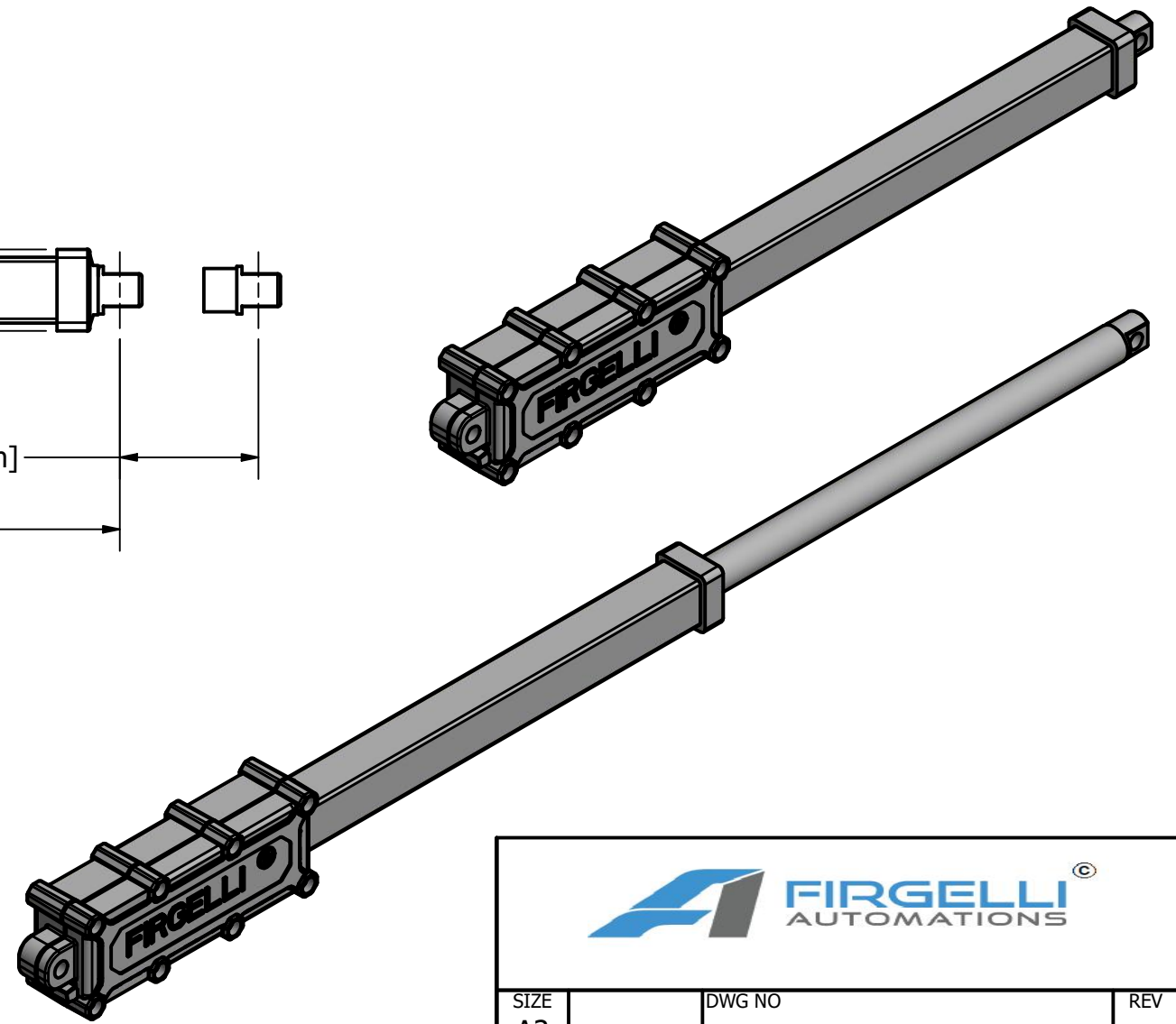
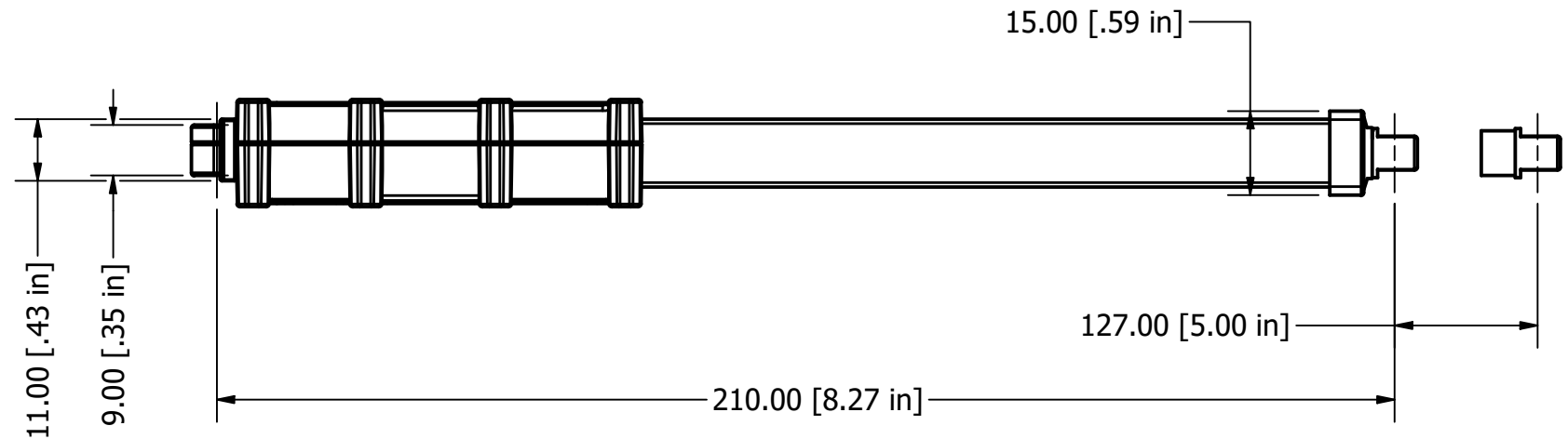
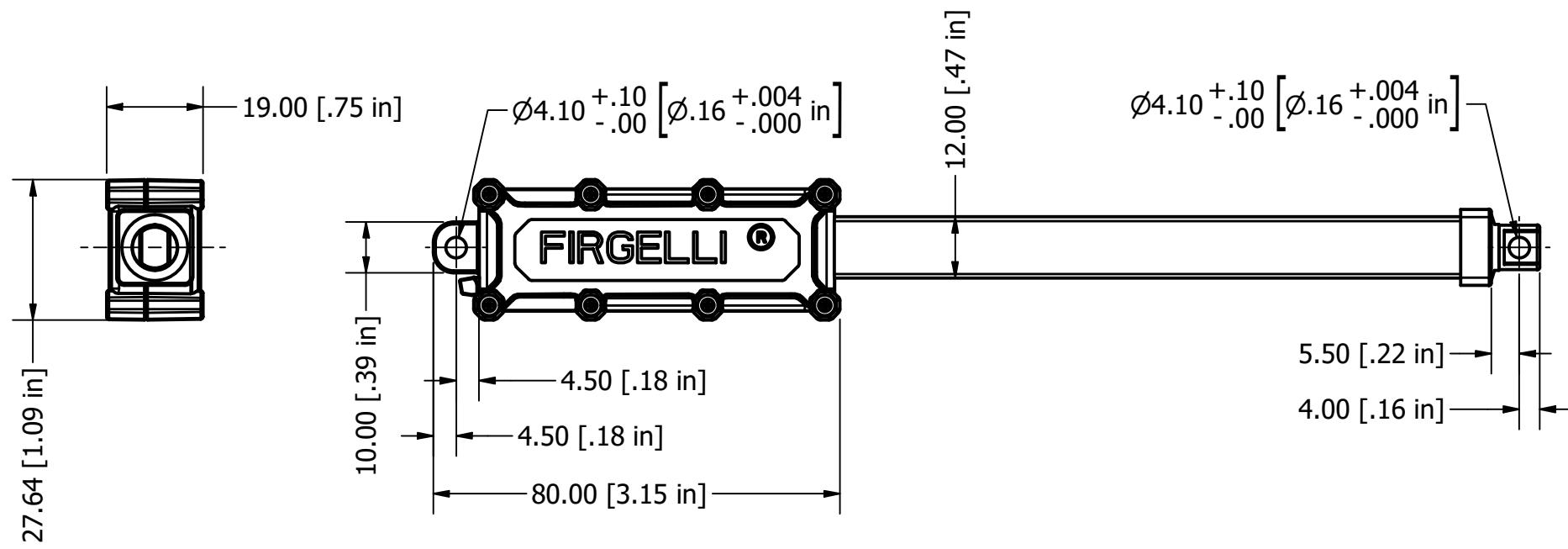



FA-MU-8-12-5
FORCE: 8Lbs (35N)

Actuator Wiring		
Color	Brown	Blue
Extend	-	+
Retract	+	-

TABLE		
NO.	Item	Detail
1	Model No.	FA-MU-8-12-5"
2	Stroke	127±3mm [5 in]
3	Voltage	12V DC
4	No Load Speed (mm/s)	47mm/s±10%
6	Full Load Speed (mm/s)	30mm/s±10%
7	No Load Current (mA)	≤200
8	Full Load Current (mA)	≤700
9	No Load Noise (dBA)(450mm)	≤64
10	Holding Force (Lbs) (N)	4.5Lbs (20N)
11	Ultimate Mechanical Static Holding Force (Lbs)(N)	8Lbs (35N)
12	IP Grade	IP54
13	Front mounting end	thru hole Ø4.10mm [Ø.16 in]
14	Rear mounting end	thru hole Ø4.10mm [Ø.16 in]





SIZE A3	DWG NO FA-MU-8-12-5	REV
SCALE 1 : 1.25		SHEET 1 OF 1