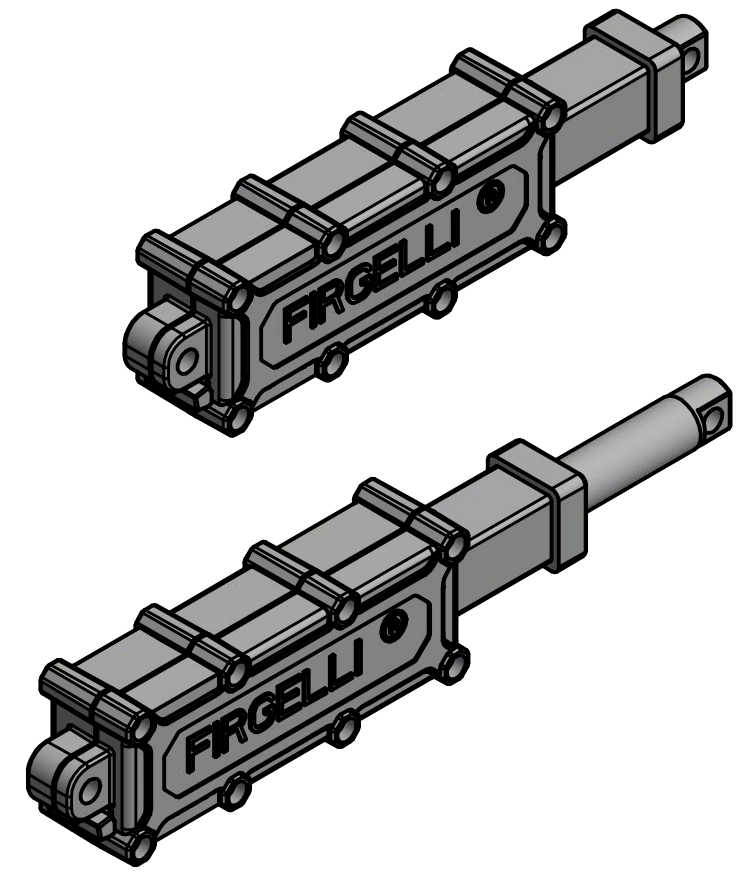
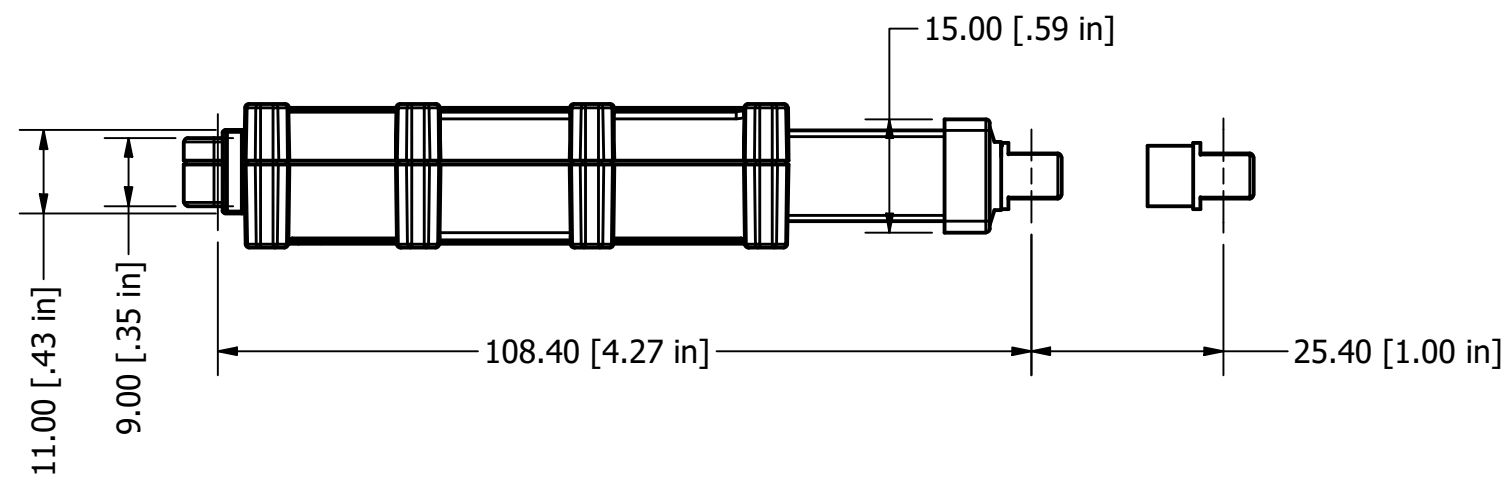
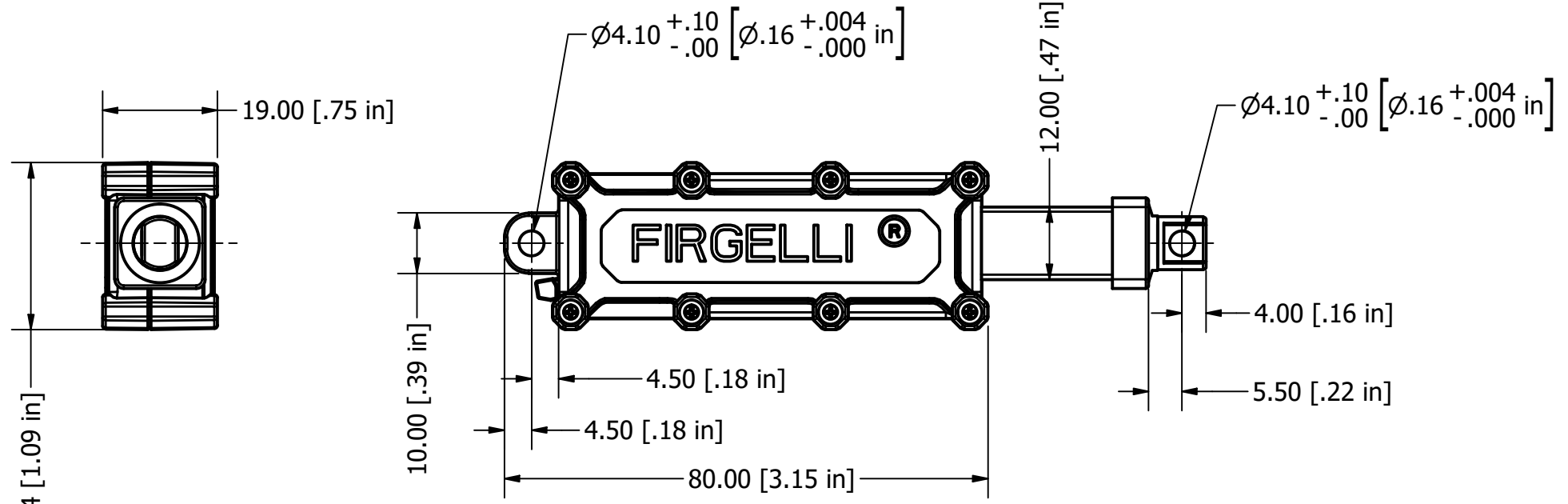



FA-MU-38-12-1
FORCE: 38Lbs (169N)

Actuator Wiring		
Color	Brown	Blue
Extend	-	+
Retract	+	-

TABLE		
NO.	Item	Detail
1	Model No.	FA-MU-38-12-1"
2	Stroke	25.4±3mm [1 in]
3	Voltage	12V DC
4	No Load Speed (mm/s)	8mm±10%
6	Full Load Speed (mm/s)	6mm±10%
7	No Load Current (mA)	≤200
8	Full Load Current (mA)	≤600
9	No Load Noise (dBA)(450mm)	≤60
10	Holding Force (Lbs) (N)	31.47Lbs (140N)
11	Ultimate Mechanical Static Holding Force (Lbs)(N)	56.20Lbs (250N)
12	IP Grade	IP54
13	Front mounting end	thru hole Ø4.10mm [Ø.16 in]
14	Rear mounting end	thru hole Ø4.10mm [Ø.16 in]





SIZE	DWG NO	REV
A3	FA-MU-38-12-1	
SCALE	SHEET 1 OF 1	
1 : 1		