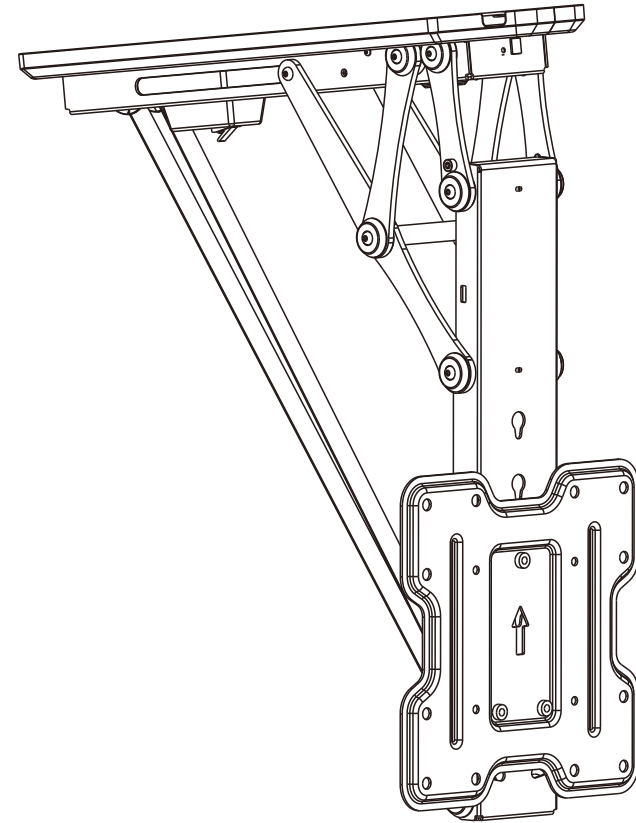


Remote Control Motorized TV Ceiling Mount



FA-MFD-42



100x100
200x100
200x200



NOTE: Read the entire instruction manual before you start installation and assembly.

The product is powered by electricity. In order to avoid burns, fire and electric shock and make sure the safe and correct use of the system and maintain the longevity of the overall construction and the built-in electronics, please read the instructions carefully.

⚠ WARNING

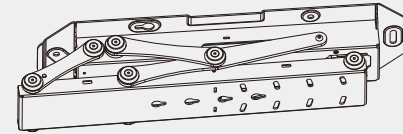
- This appliance can be used by children aged from 8 years and above if they have been given supervision or instruction concerning use of the appliance in a safe way and understand the hazards involved. Children shall not play with the appliance. Cleaning and user maintenance shall not be made by children without supervision.
- Persons with reduced physical, sensory or mental capabilities or lack of experience and knowledge must not use the appliance, unless they're under supervision, understand the hazards involved or they have been thoroughly instructed in the use of the apparatus by a person who is responsible for the safety of these persons.
- Don't leave the cords or plug unorganized in order to prevent tripping hazards.
- Any attempts to reconstruct the construction aren't allowed.
- Do not begin the installation until you have read and understood all the instructions and warnings contained in this installation sheet. If you have any questions regarding any of the instructions or warnings, please contact your local distributor.
- This mounting bracket was designed to be installed and utilised **ONLY** as specified in this manual. Improper installation of this product may cause damage or serious injury.
- This product should only be installed by someone with good mechanical ability who has basic building experience and fully understands this manual.
- Make sure that the supporting surface will safely support the combined weight of the equipment and all attached hardware and components.
- Always use an assistant or mechanical lifting equipment to safely lift and position the equipment.
- Tighten screws firmly, but do not over tighten. Over tightening can cause damage to the items, This greatly reduces their holding power.
- This product is intended for indoor use only. Using this product outdoors could lead to product failure and personal injury.
- Please do not disassemble or change the electronic components of the product without authorization.

Electrical Safety Instructions

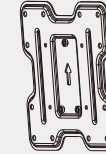
- The appliance is only to be used with the power supply unit provided with the appliance. Alterations of the given power unit aren't allowed.
- Never operate the system with a damaged power supply cord or plug. If any parts is damaged, please contact your service agent of purchase for a replacement.
- Never operate the system if it's in moist environment or its electrical components has contact with liquids.
- Don't clean the product while the power is still connected.
- Don't disassemble or replace components while the power is still connected.
- Unplug the appliance when the system isn't in use, and place the power plug out of children reach.

Component Checklist

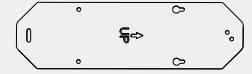
IMPORTANT: Ensure that you have received all parts according to the component checklist prior to installation. If any parts are missing or faulty, telephone your local distributor for a replacement.



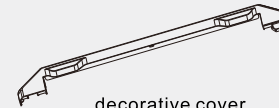
motorized ceiling mount
A (x1)



VESA plate
B (x1)



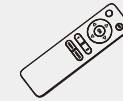
ceiling template
C (x1)



decorative cover
D (x2)



power supply
E (x1)



remote control
F (x1)



cable tie
G (x4)

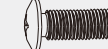
Package M



M4x14
M-A (x4)



M5x14
M-B (x4)



M6x14
M-C (x4)



M8x20
M-D (x4)



D5 washer
M-E (x4)

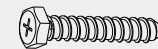


D8 washer
M-F (x4)

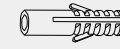


small spacer
M-G (x8)

Package W



ST6.3x55
W-A (x6)

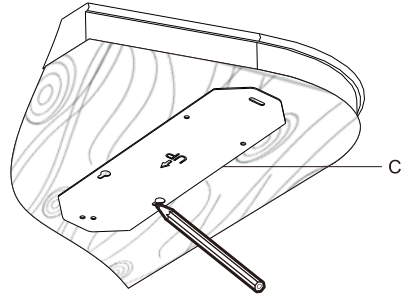
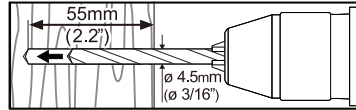


concrete anchor
W-B (x6)

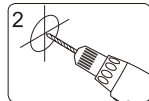
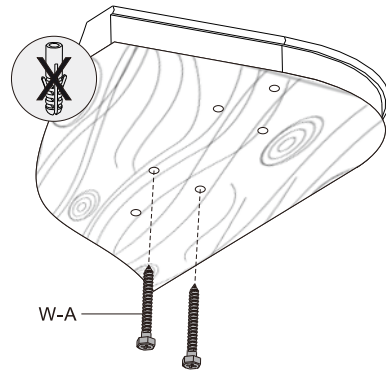


D6 washer
W-C (x4)

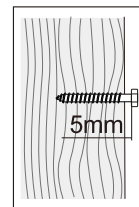
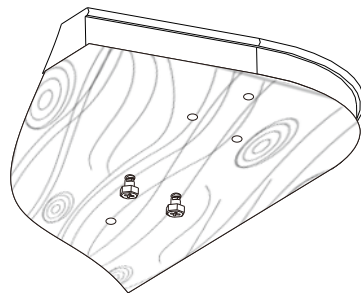
1a. For Wooden Ceiling Mounting



1
Mark the exact location of mounting holes



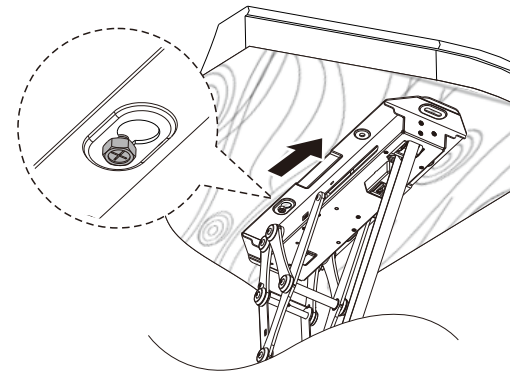
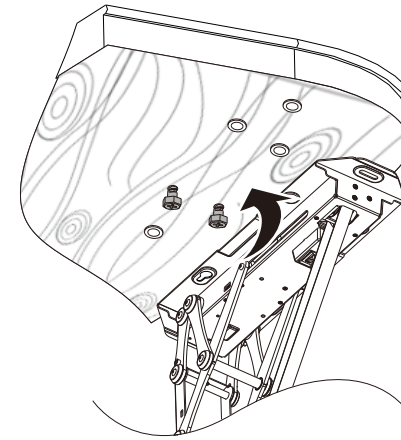
2
Drill pilot holes



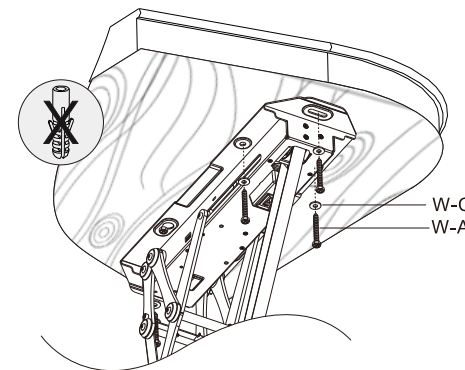
Tighten two screws leaving a 5mm space from the ceiling.

⚠ WARNING

- Installers are responsible to provide hardware for other types of mounting situations.
- Installers must verify that the supporting surface will safely support the combined weight of the equipment and all attached hardware and components.

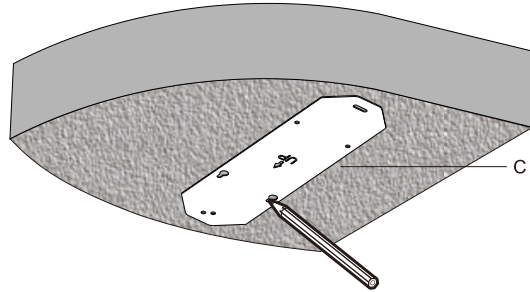
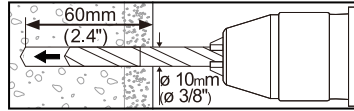


Hang the ceiling mount so that the screws fit into the keyhole openings. Slide slightly the ceiling mount into place and then tighten the screws.

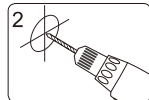
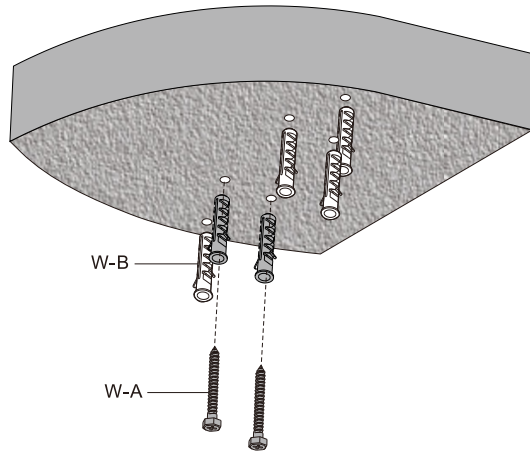


Screw the ceiling mount onto the ceiling

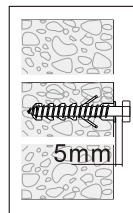
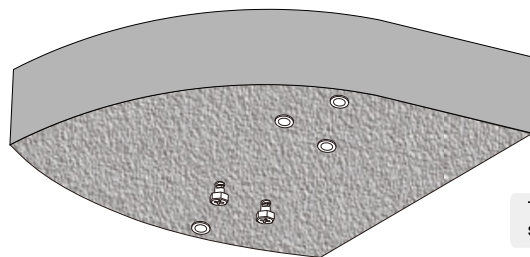
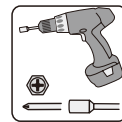
1b. For Solid Brick and Concrete Ceiling Mounting



1
Mark the exact location of mounting holes



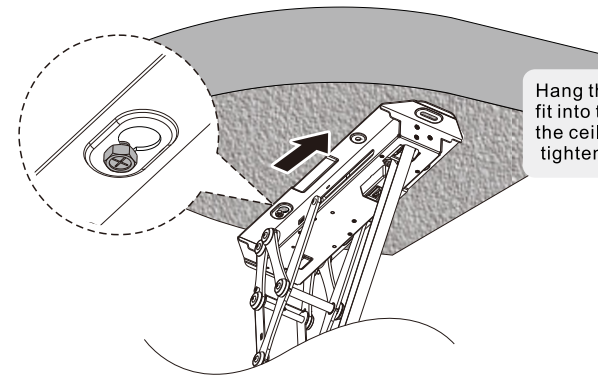
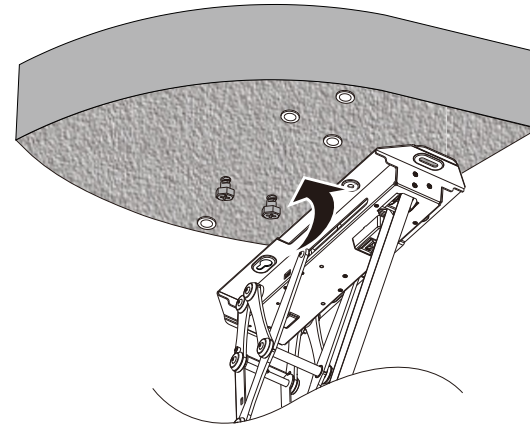
2
Drill pilot holes



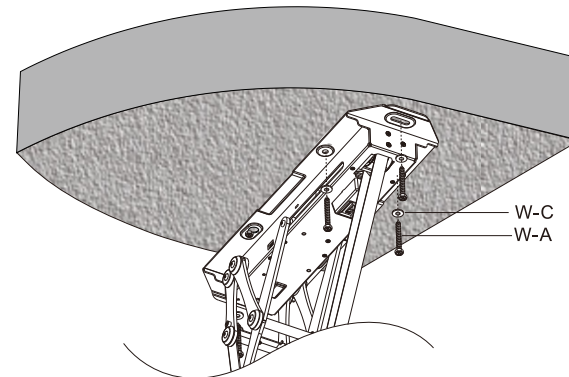
Tighten two screws leaving a 5mm space from the ceiling.

⚠ WARNING

Installers must verify that the supporting surface will safely support the combined weight of the equipment and all attached hardware and components.

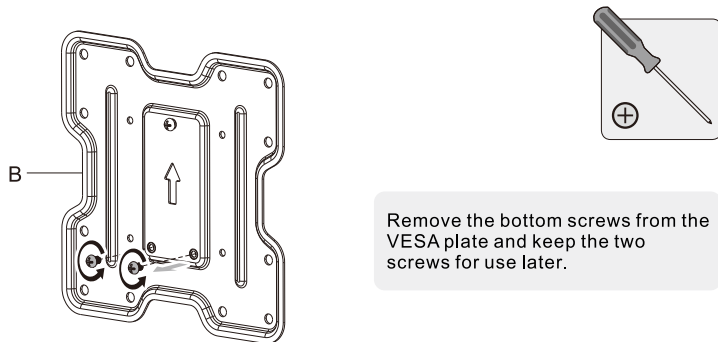


Hang the ceiling mount so that the screws fit into the keyhole openings. Slide slightly the ceiling mount into place and then tighten the screws.

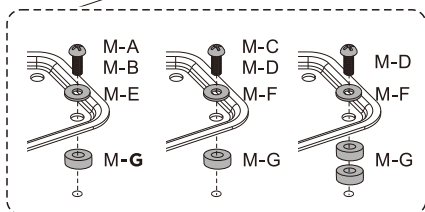
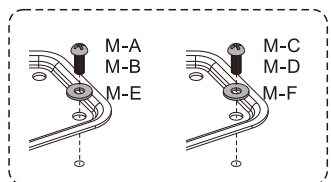
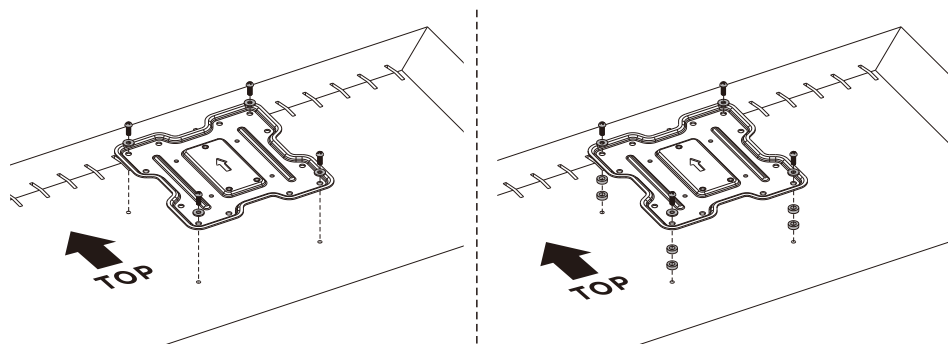
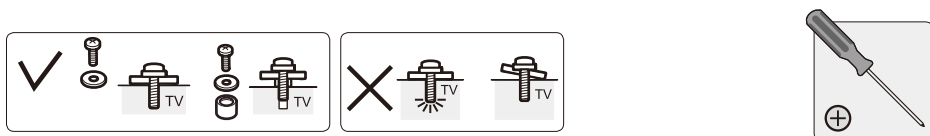


Screw the ceiling mount onto the ceiling

2. Installing the VESA Plate



Remove the bottom screws from the VESA plate and keep the two screws for use later.

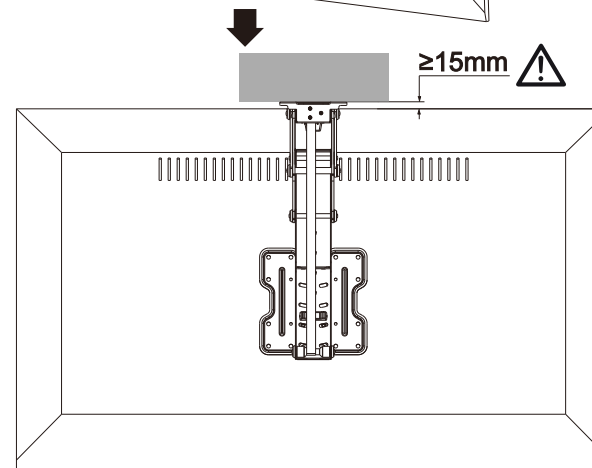
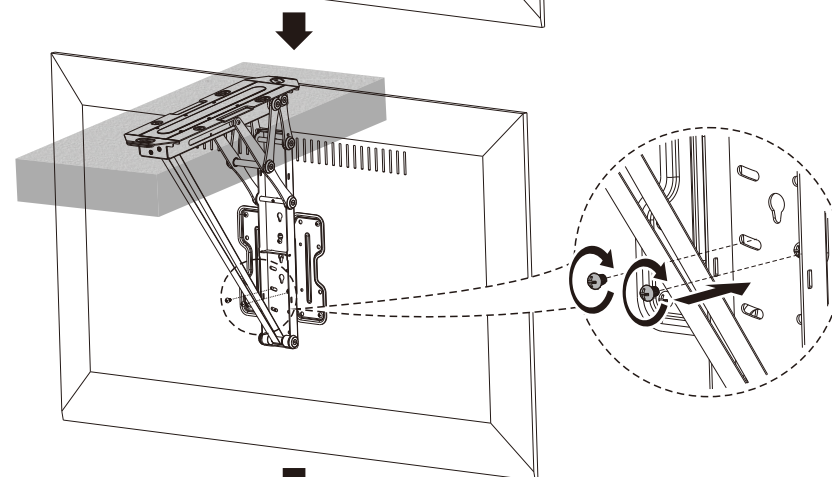
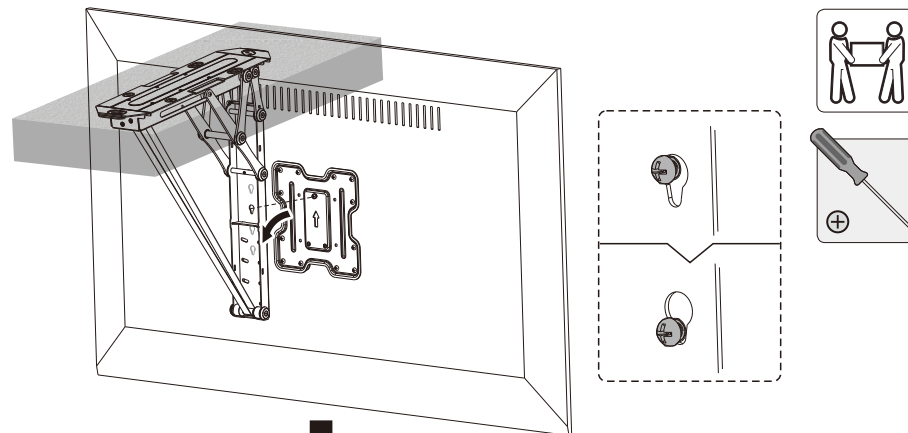


Note: Choose the appropriate screws, washers and spacers (if necessary) according to the type of screen.

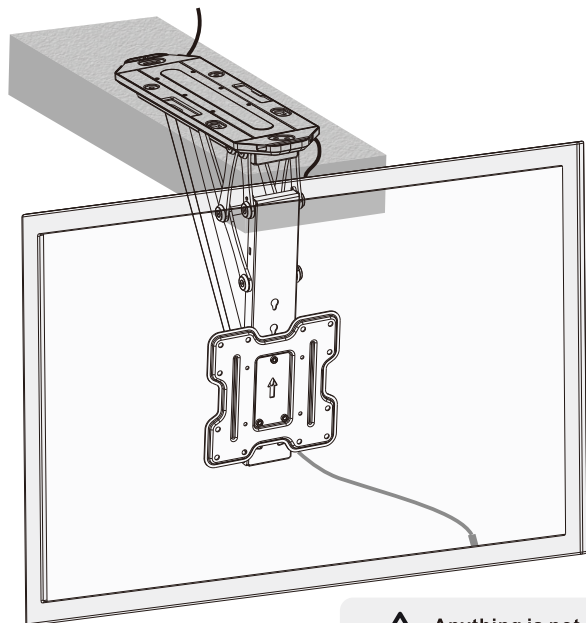
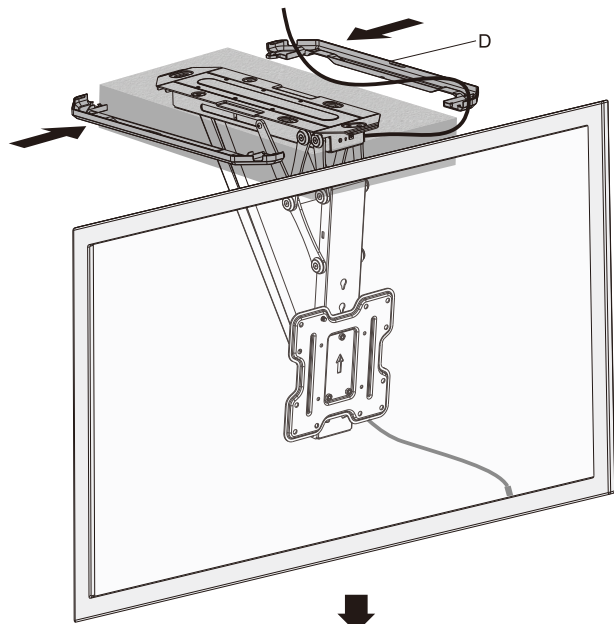
- Screw the VESA plate onto the TV.
- Position the VESA plate as close as possible to the middle of the screen.


Tighten all screws but do not over tighten.

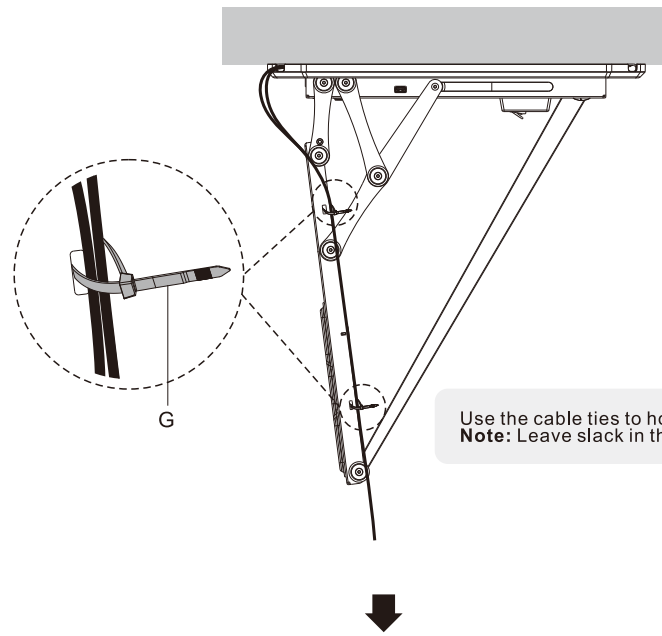
3. Hooking the TV onto the Ceiling Mount



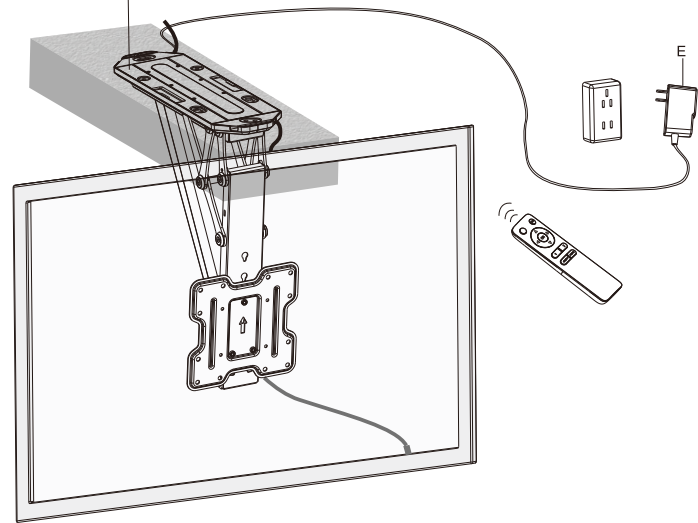
4. Installing the Decorative Covers and Running the Cables



 Anything is not allowed to pass through the mount motion space.



 Do not open the electrical cover please.

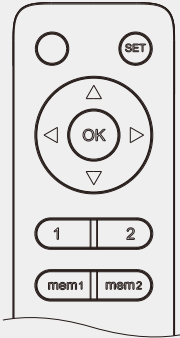


 Never operate the unit without a TV installed.

Remote Control Operation Instructions

A. Button Functions

RMT-02
remote control



1. Upward/Downward Movement

Press the "△" button, the TV mount will move upward to the lowest-profile position against the ceiling. Press the "▽" button, the TV mount will move downward to the maximum tilt angle position (75° by default). Press the "OK" button to stop the motion. (Tips: Clear up all obstacles within the range of motion.)

2. Memory Setting

Press the "mem1" or "mem2" button for 1 seconds and you will hear a beep, indicating that the current position has been saved to memory. The "mem1" "mem2" buttons can each store a different position.

3. Recall Memory

Press the "1" or "2" button and the mount will automatically get to the position saved in the corresponding button "mem1" or "mem2".

4. Reset Mode

If the TV mount can't be adjusted to the highest position (0 degree against the ceiling) or the lowest position (max. tilting position), unplug and re-plug the power. Then press and hold the "OK" button for 5 seconds. Mount will retract to the highest position, that means the system has been successfully reset.

5. Reset the Tilt Range for Pitched Ceiling

The TV mount is 0°~75° adjustable by default. Please reset the tilt range if you use as a pitched ceiling TV mount.

Prepare: Reset the system (see Instructions on A. Button Functions - 4. Reset Mode).

Step 1: Press "▽", "△" and "OK" buttons and adjust to the proper position.

Step 2: Press and hold the "mem1" button until the unit beeps once. Repeat this step 5 times. The unit will emit a long beep to indicate success.

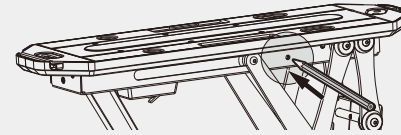
Note: Step 1, 2 should be finished in 2 minutes, or it will fail to reset.

Note: The remote controller is powered by two AAA batteries (not included).

B. Manual Mode

In any position (but the minimum position against the ceiling), when manually push up the TV ceiling mount over a distance. The TV ceiling mount will automatically return back to the minimum position against the ceiling.

C. Coding of Remote Controller and Control Box



Step 1:

When the mount is powered on, press the small button on the control box with a thin tool as shown. The unit emits a beep, indicating that the control box is on standby for program coding.

Step 2:

Press the "SET" button on the remote control, and the control box repeatedly beeps for approximate 10 seconds indicating that the remote control is being programmed. The process will be finished automatically until you can't hear a beep any longer.

Note: The TV Mount can be matched with up to 20 remote controllers. **To clean up the data of all the remote controllers**, press and hold the code matching button for 5 seconds then release. The unit will emit two beeps confirm the successful clean up and vice versa.

5. Repair

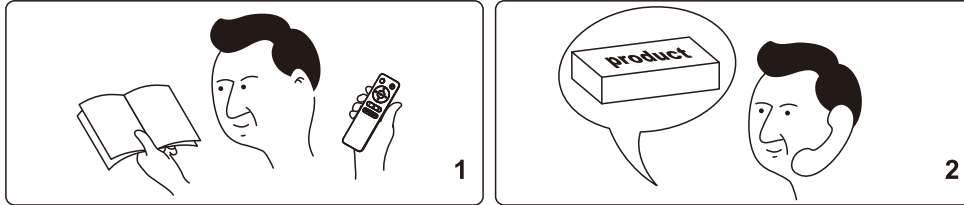
In Front

This repair guide intends to help you identify and solve the minor problems caused by unusual operation of the electric system of our electric TV mounts. The simple procedures in this manual are easy to follow and capable of solving the most problems happened in everyday use.

Error Indication

1. The Buzzer Constantly Gives Out Alarm Sound: The Error Of Positioning Signal

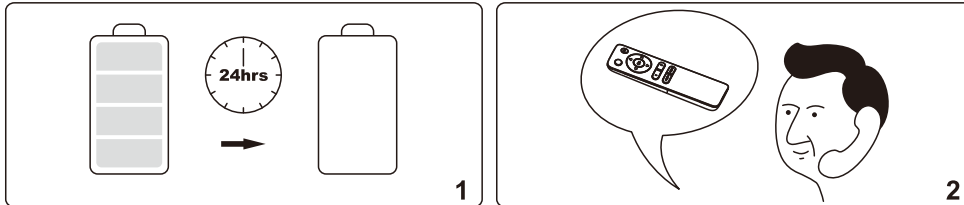
Reset the system by following the instruction manual. If the alarm sound continues, please contact us to replace the product.



Remote Control Problems

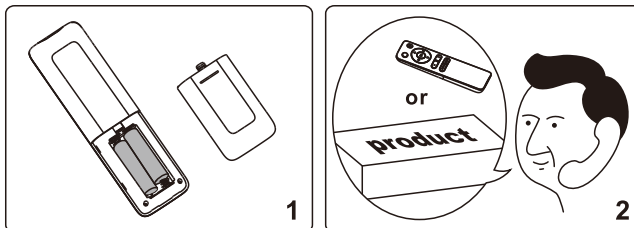
1. Abnormal Loss Of Power (Normally Batteries Are Out Of Power After 24hrs Without Using The Remote Control.)

Please contact us to replace remote control.



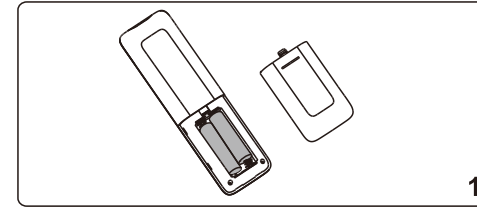
2. Buttons On Remote Control Don't Work.

Please check if the batteries have power. If the problem isn't solved, please contact us to replace the remote control. If the problem is still not solved after the replacement, please contact us to replace the product.



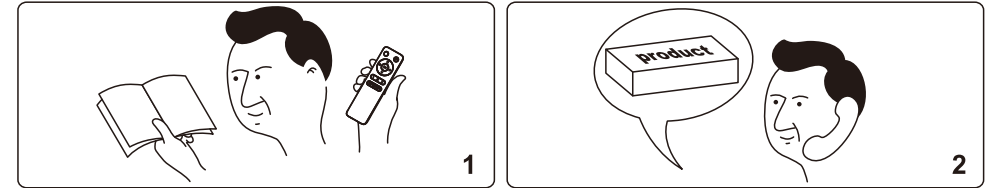
3. The Insensitivity Of Remote Control (The Functional Distance Is Less Than 3m.)

Please replace the batteries. If the problem is still not solved, please contact us to replace remote control.



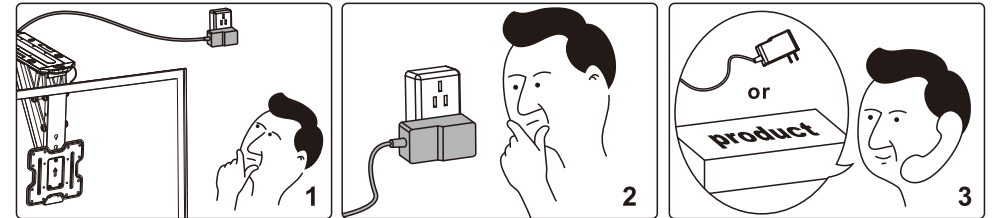
Abnormal Operation: The TV Mount Can't Be Adjusted To 0° Or 75°

Please reset the system by following the instruction manual. If the problem is still not solved, please contact us to replace the product.



Can't Operate

Please check if the power adaptor is properly connected to the product. If so, please turn the power on. If there is no buzzer sound or red light power indication, please check if the power adaptor works properly. If the power adaptor doesn't work please contact us to replace the power adaptor. If the power adaptor works properly, but the TV mount doesn't work, please contact us to replace the product.



Abnormal Noise

Please contact us to replace the product.

