

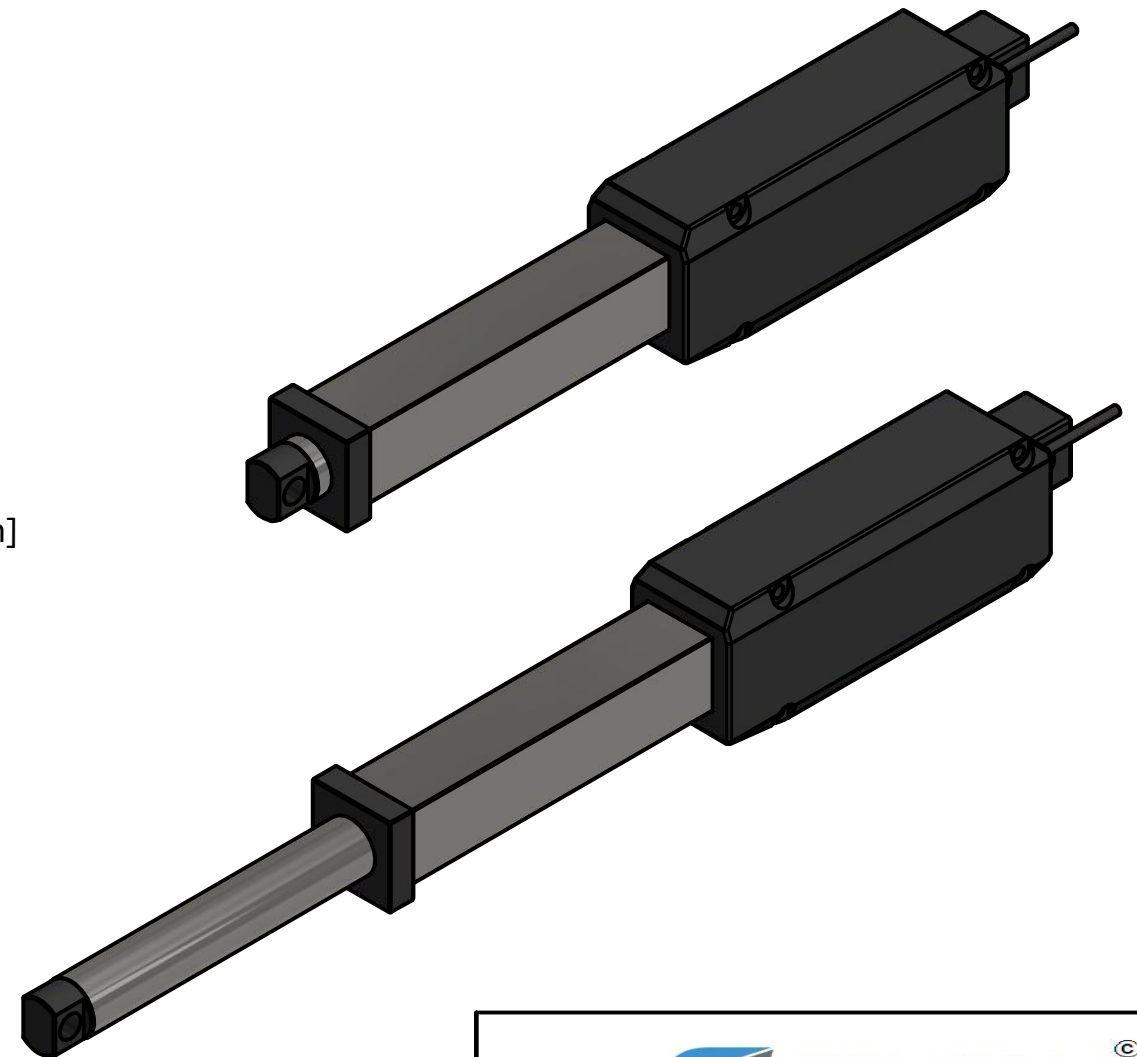
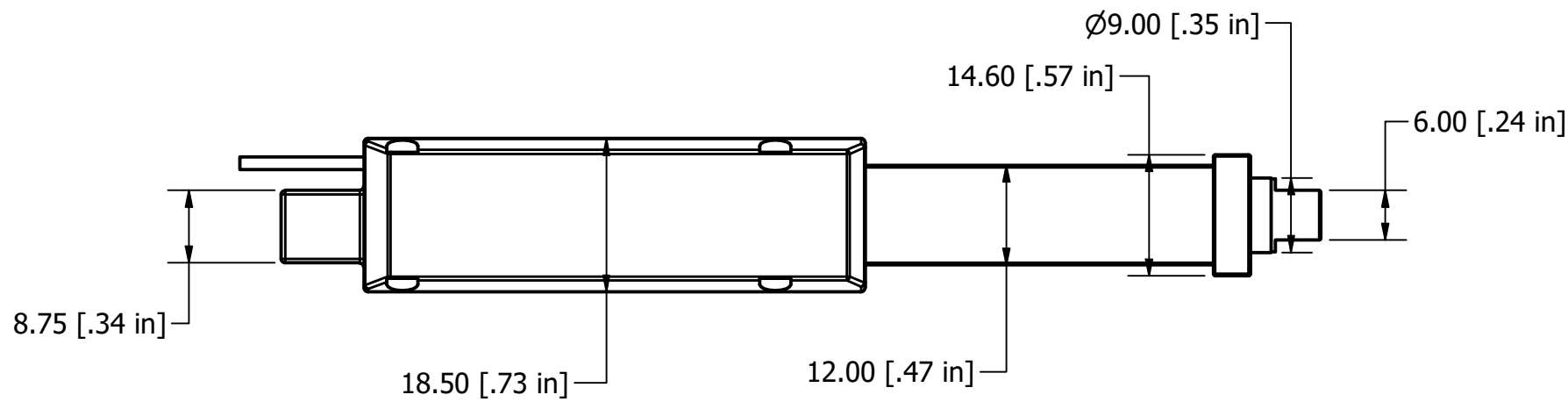
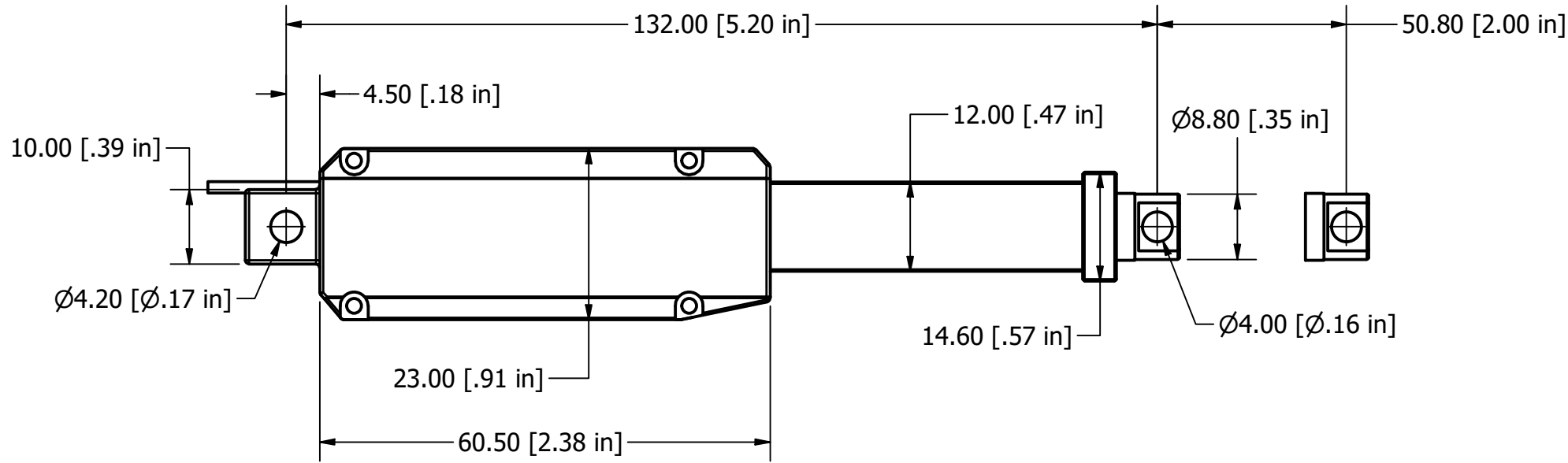
FA-F12-4-12v-2
FORCES: 4.4Lbs (20N)

Actuator Wiring

Color	Brown	Blue
Extend	-	+
Retract	+	-

TABLE

NO.	Item	Detail
1	Model No.	FA-F12-4-12v-2"
2	Stroke	50.8±3mm [2 in]
3	Voltage	12V DC
4	Full load speed(mm/s)	2mm/sec±10%
5	Dynamic load capacity	4.4Lbs (20N)
6	Cable length(mm)	
7	Front mounting end	thru hole Ø4mm [Ø.157 in]
8	Rear mounting end	thru hole Ø4.2mm [Ø.165 in]
9	Wire connector	tinned bare wires
10	Limit switches	None
11	Hall sensor	
12	Protection Rate	IP65
13	Free load current (amp)	≤
13	Full load current (amp)	≤



SIZE A3	DWG NO FA-F12-4-12-2	REV
SCALE 1.25 : 1	SHEET 1 OF 1	