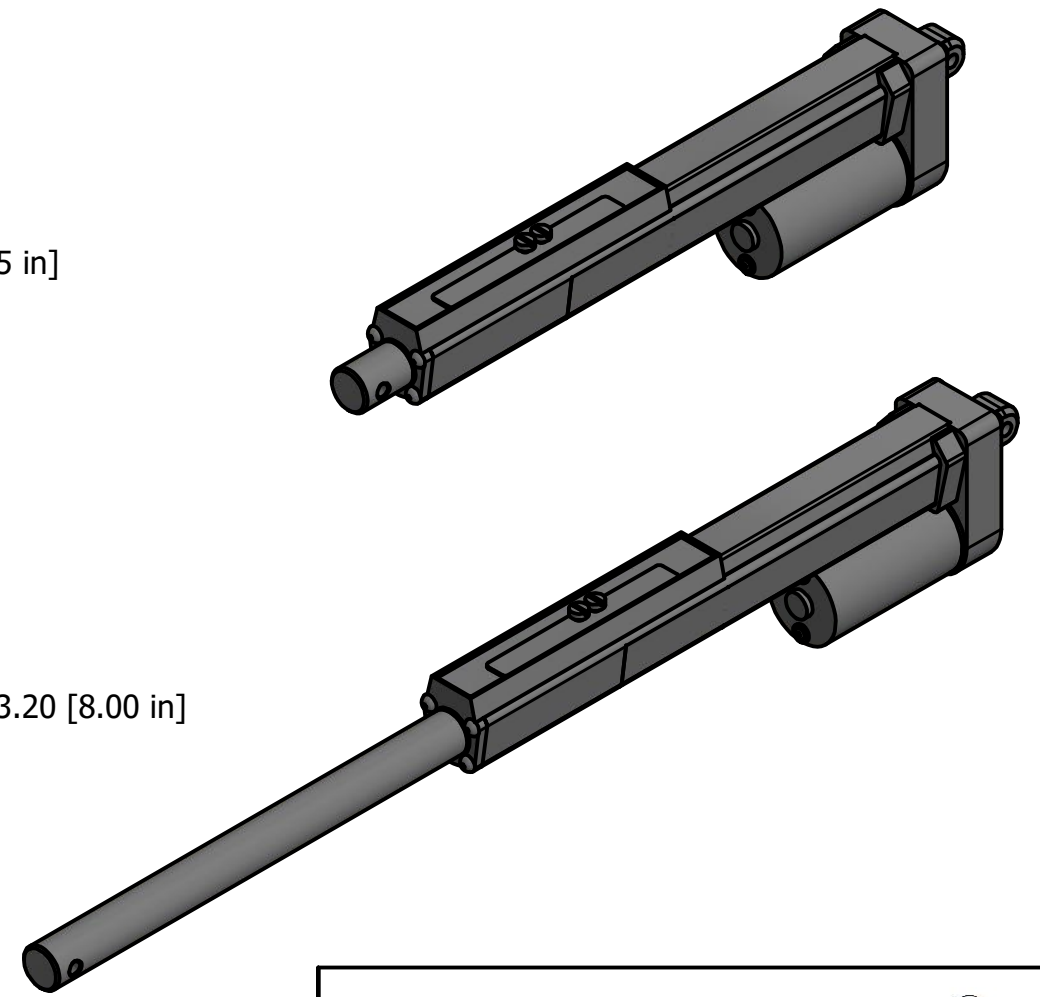
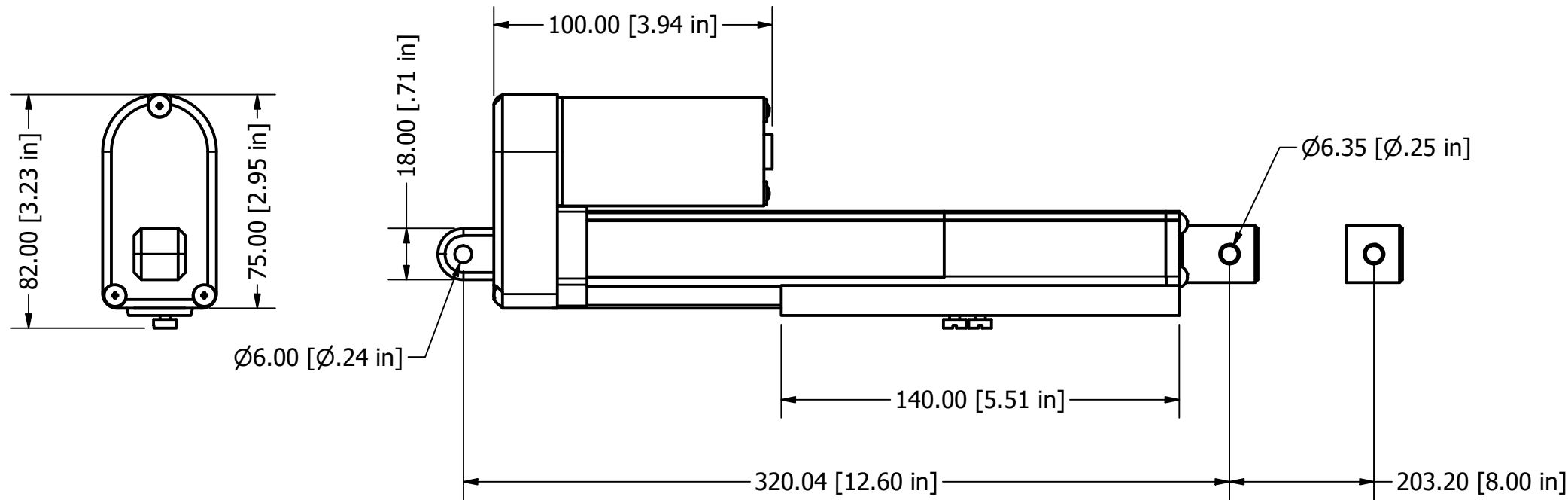
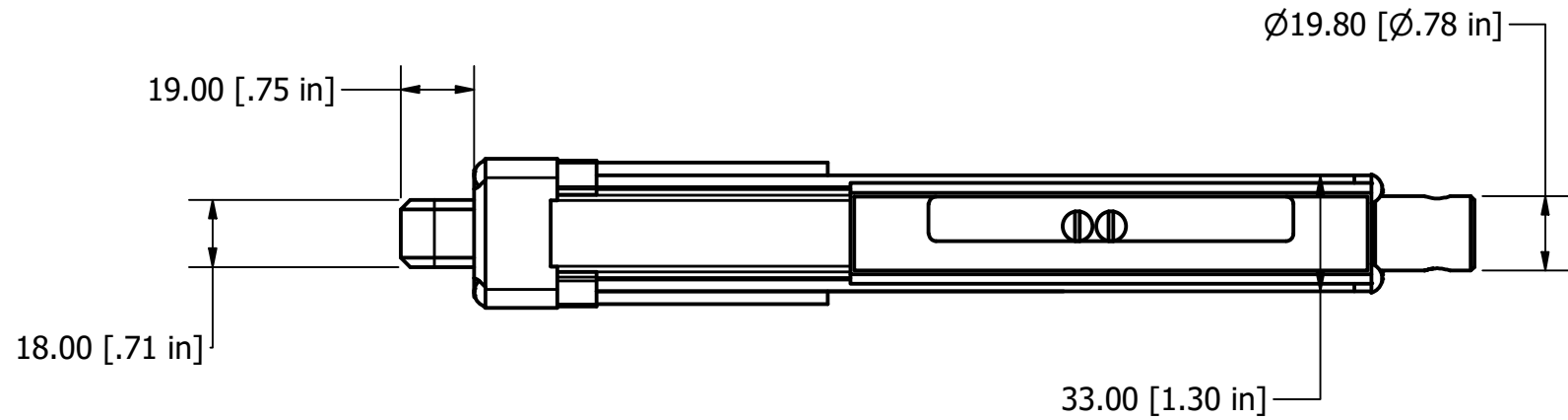


**FA-AL-XXX-12v-8**  
**FORCES: 35Lbs (134N) / 150Lbs (667N) / 200Lbs (890N)**

Actuator Wiring		
Color	Brown	Blue
Extend	-	+
Retract	+	-

TABLE		
NO.	Item	Detail
1	Model No.	FA-AL-XXX-12v-8"
2	Stroke	203±3mm [8 in]
3	Voltage	12V DC
4	Speed(mm/s)	51mm/s±10% / 8mm/s±10% / 6mm/s±10%
6	Dynamic load capacity	35Lbs (134N) / 150Lbs (667N) / 200Lbs (890N)
7	Cable length(mm)	
8	Front mounting end	thru hole Ø6.35mm [Ø.250 in]
9	Rear mounting end	thru hole Ø6mm [Ø.236 in]
10	Wire connector	tinned bare wires
11	Limit switches	Included
12	Hall sensor	
13	Protection Rate	IP66
14	Free load current (amp)	≤
15	Full load current (amp)	≤



SIZE A3	DWG NO FA-AL-XXX-12v-8	REV
SCALE 1 / 2	SHEET 1 OF 1	