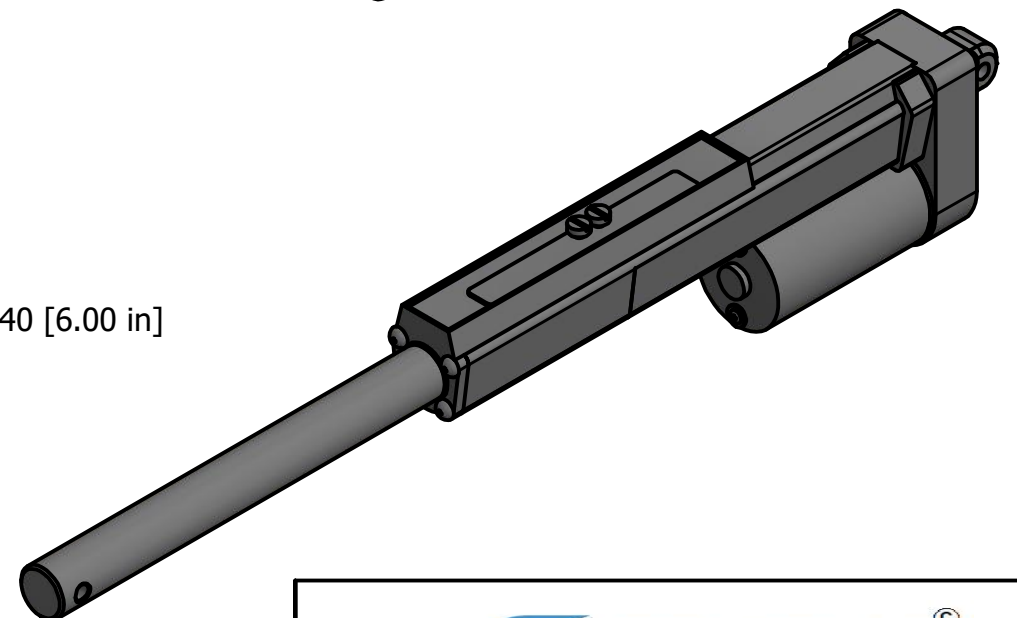
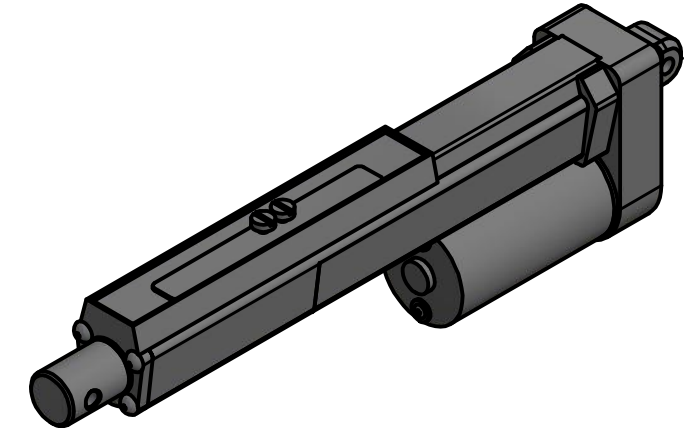
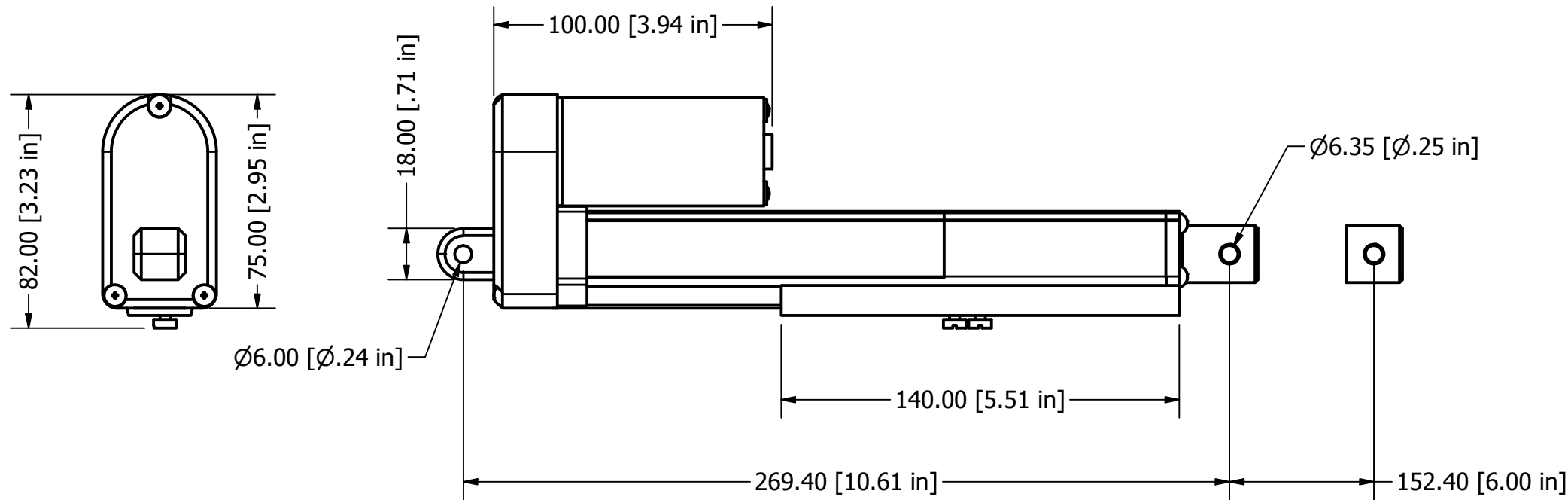
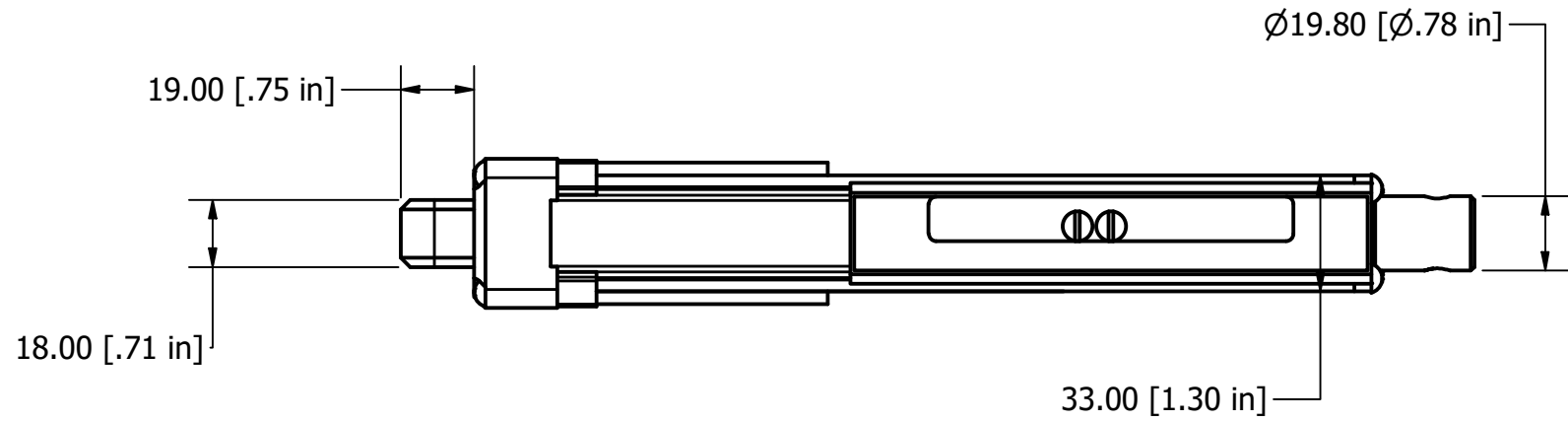


FA-AL-XXX-12v-6
FORCES: 35Lbs (134N) / 150Lbs (667N) / 200Lbs (890N)

| Actuator Wiring | | |
|-----------------|-------|------|
| Color | Brown | Blue |
| Extend | - | + |
| Retract | + | - |

| TABLE | | |
|-------|-------------------------|--|
| NO. | Item | Detail |
| 1 | Model No. | FA-AL-XXX-12v-6" |
| 2 | Stroke | 152±3mm [6 in] |
| 3 | Voltage | 12V DC |
| 4 | Speed(mm/s) | 51mm/s±10% / 8mm/s±10% / 6mm/s±10% |
| 6 | Dynamic load capacity | 35Lbs (134N) / 150Lbs (667N) / 200Lbs (890N) |
| 7 | Cable length(mm) | |
| 8 | Front mounting end | thru hole Ø6.35mm [Ø.250 in] |
| 9 | Rear mounting end | thru hole Ø6mm [Ø.236 in] |
| 10 | Wire connector | tinned bare wires |
| 11 | Limit switches | Included |
| 12 | Hall sensor | |
| 13 | Protection Rate | IP66 |
| 14 | Free load current (amp) | ≤ |
| 15 | Full load current (amp) | ≤ |



FIRGELLI[®]
AUTOMATIONS

| | | |
|----------------|---------------------------|-----|
| SIZE A3 | DWG NO FA-AL-XXX-12v-6 | REV |
| SCALE 1 / 2 | SHEET 1 OF 1 | |