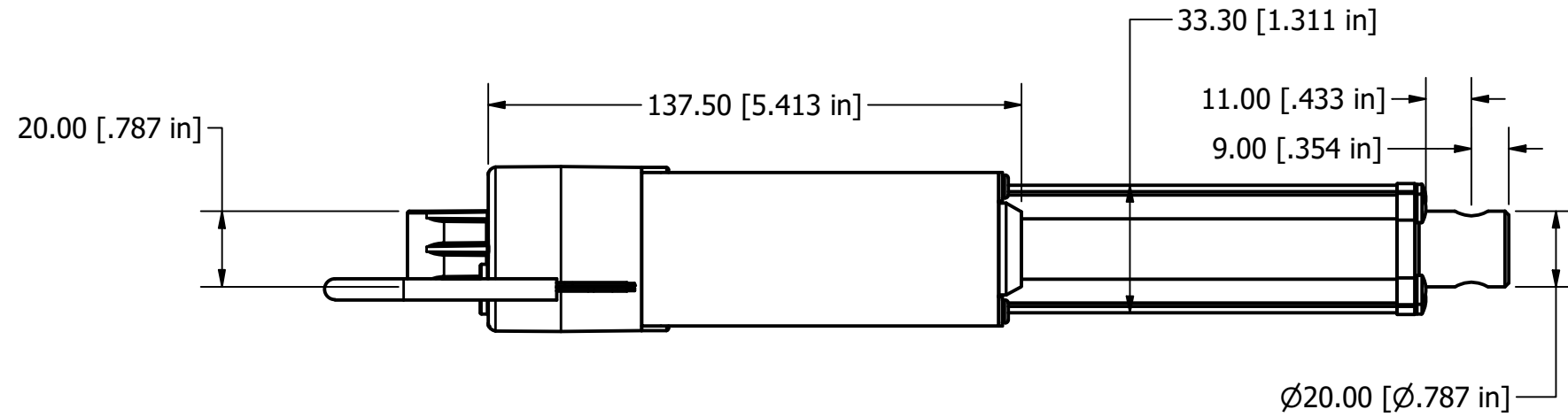


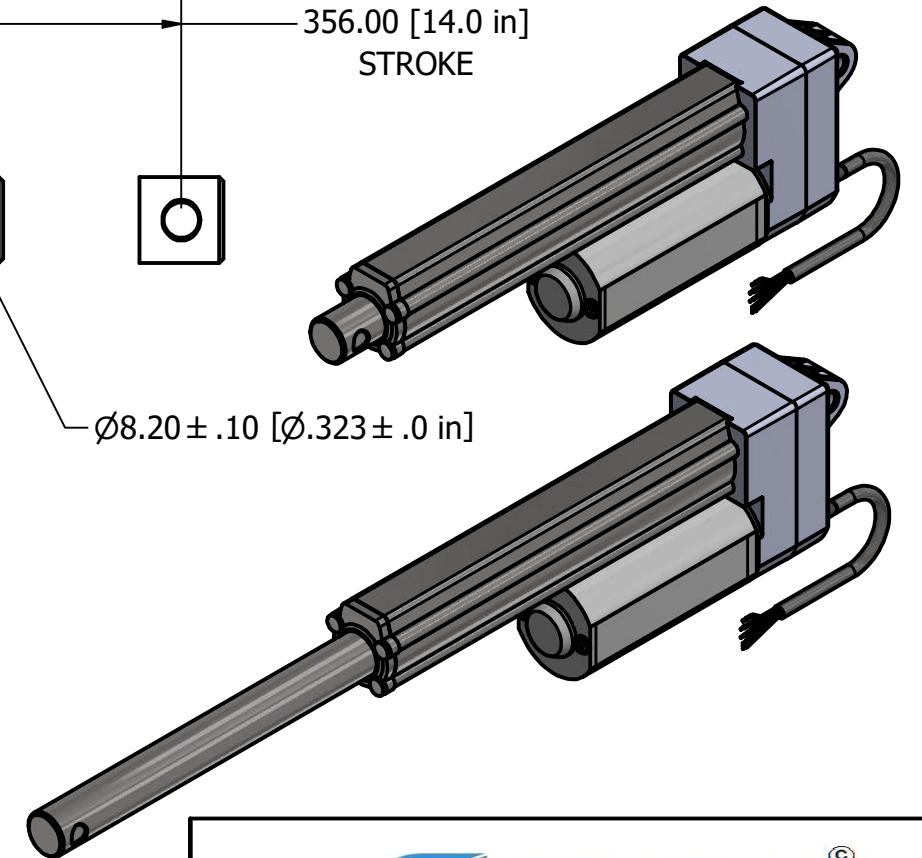
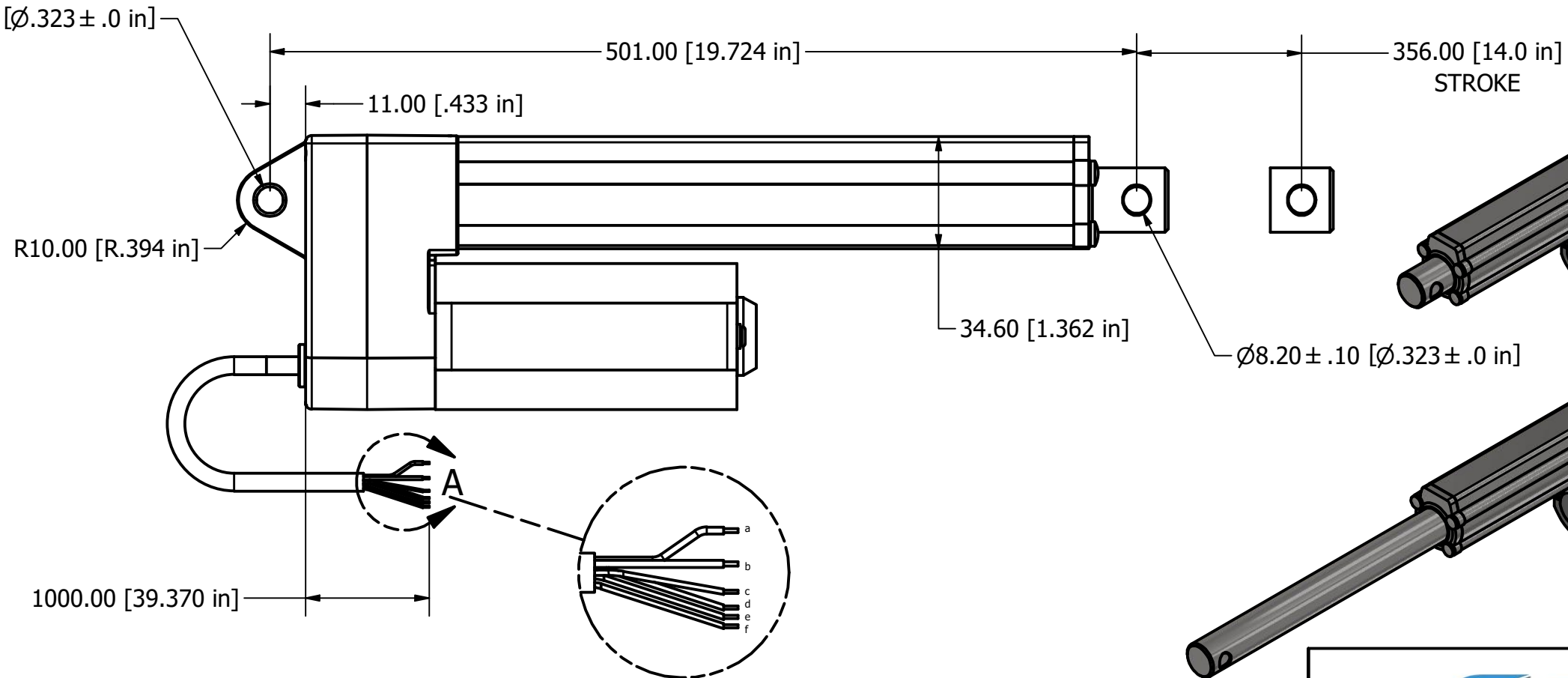
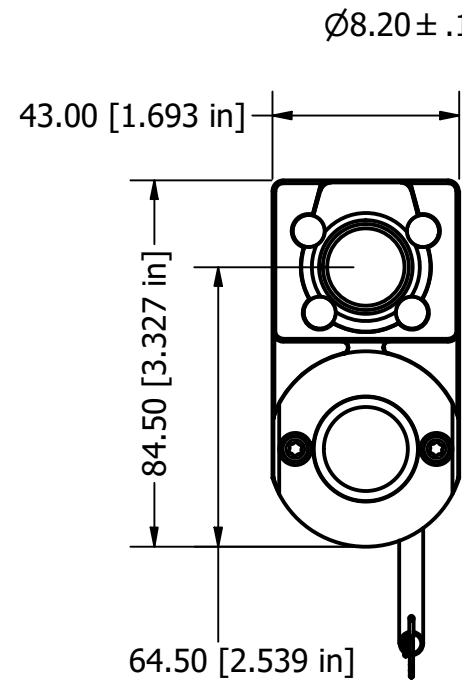
**F-SD-H-220-12v-14**  
**FORCE: 220Lbs (1000N)**

Actuator Wiring		
Color	Brown	Blue
Extend	-	+
Retract	+	-

TABLE		
NO.	Item	Detail
1	Model No.	F-SD-H-220-12v-14"
2	Stroke	356±3mm [14 in]
3	Installation size	501±3mm [19.724 in]
4	Voltage	12V DC
5	Free load speed	15mm/s±10%
6	Dynamic load capacity	220Lbs (1000N)
7	Cable thickness	Six-cores wire
8	Cable length	1000±10%mm [39.370 in]
9	Wire connector	tinned bare wires
10	Front mounting end	Ø8.2mm [Ø.323 in]
11	Rear mounting end	Ø8.2mm [Ø.323 in]
12	Limited switches	Built-in,unadjustable
13	Protection Rate	IP66
	Pulse/mm (single hall )	17.4pulse/mm



Wiring For Hall Sensor			
c	Red	26AWG	V+(5~15V MAX)
d	Yellow	26AWG	Hall1
e	White	26AWG	Hall2
f	Black	26AWG	V



DETAIL A  
 SCALE 1.25:1



SIZE A3	DWG NO F-SD-H-220-12v-14	REV
SCALE 1 / 1.75	SHEET 1 OF 1	