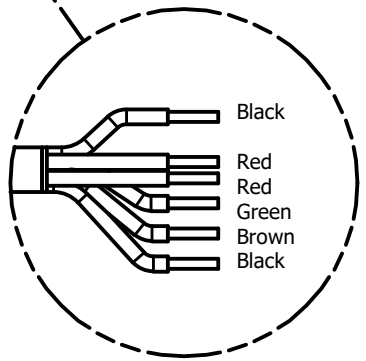
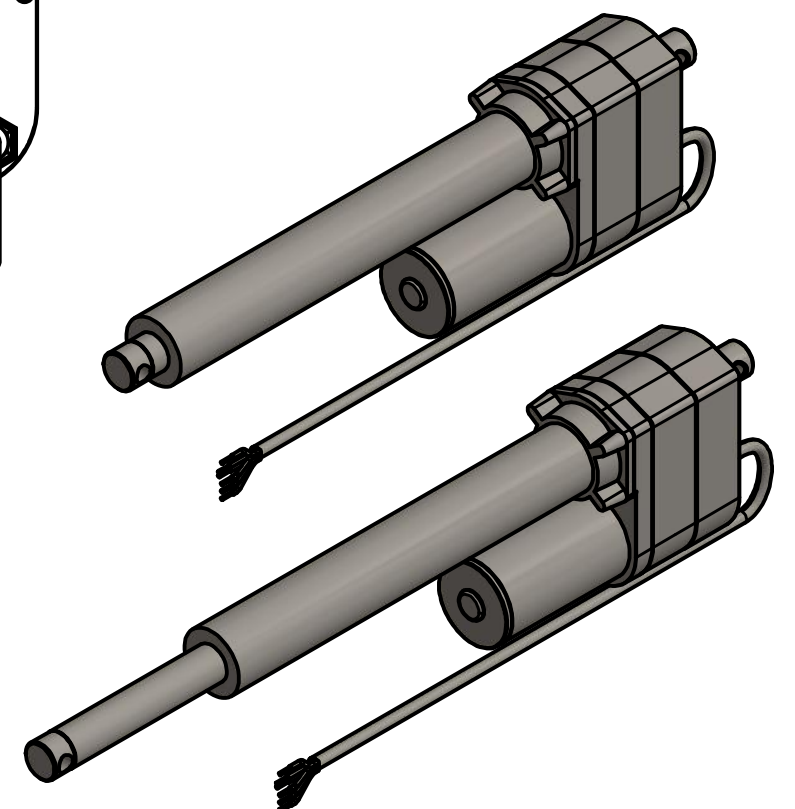
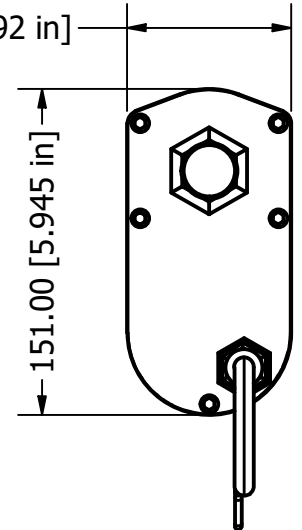
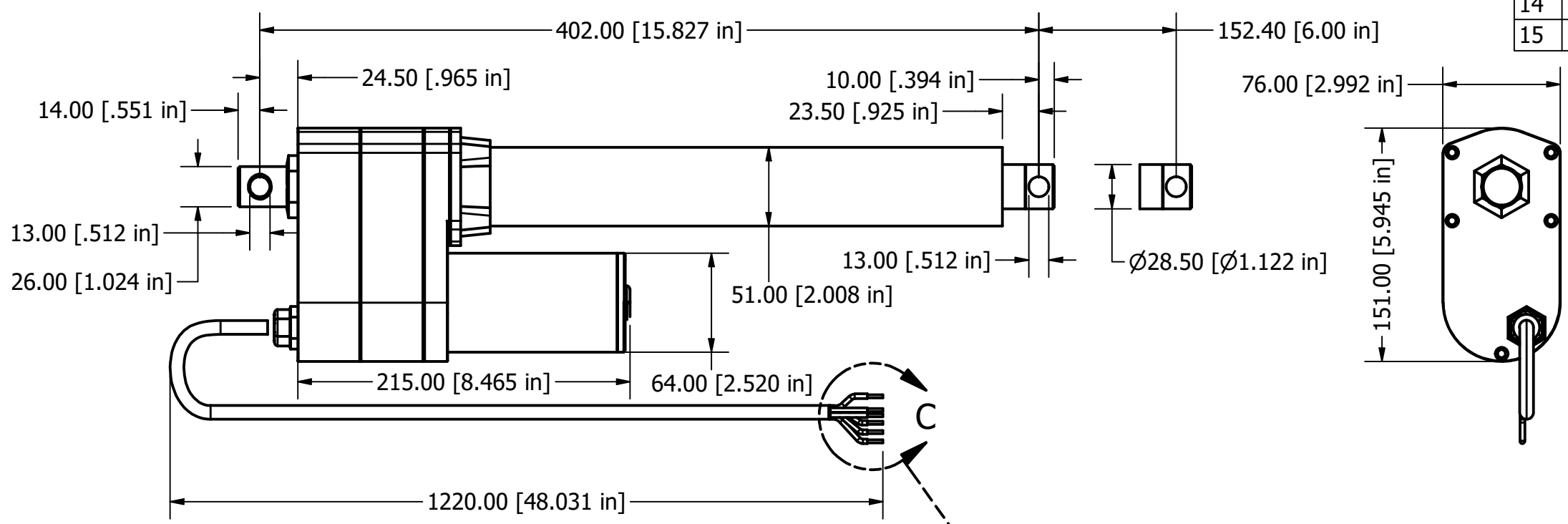


F-PM-H-900-24v-6
FORCE: 900Lbs (4000N)

| Actuator Wiring | | |
|-----------------|-------|------|
| Color | Brown | Blue |
| Extend | - | + |
| Retract | + | - |

| TABLE | | |
|-------|-------------------------|----------------------------|
| NO. | Item | Detail |
| 1 | Model No. | F-PM-H-900-24v-6" |
| 2 | Stroke | 152.4±7mm [6 in] |
| 3 | Voltage | 24V DC |
| 4 | Free load speed(mm/s) | 17mm/s±10% |
| 5 | Full load speed(mm/s) | 14mm/s±10% |
| 6 | Dynamic load capacity | 900Lbs (4000N) |
| 7 | Cable length(mm) | 1220±20%mm [48.032 in] |
| 8 | Front mounting end | thru hole Ø13mm [Ø.512 in] |
| 9 | Rear mounting end | thru hole Ø13mm [Ø.512 in] |
| 10 | Wire connector | inned bare wires |
| 11 | Limit switches | Included |
| 12 | Hall sensor | Hall*2 |
| 13 | Protection Rate | IP65 |
| 14 | Free load current (amp) | ≤ 4 |
| 15 | Full load current (amp) | ≤ 17 |

| Wiring For Hall Sensor | | | |
|------------------------|-------|-------|-------|
| a | Red | 24AWG | V+ |
| b | Green | 24AWG | Hall1 |
| c | Brown | 24AWG | Hall2 |
| d | Black | 24AWG | V- |



FIRGELLI
 AUTOMATIONS

| | | |
|------------------|----------------------------|-----|
| SIZE A3 | DWG NO F-PM-H-900-24v-6 | REV |
| SCALE 1 / 3.5 | SHEET 1 OF 1 | |