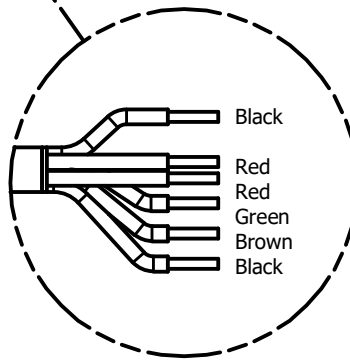
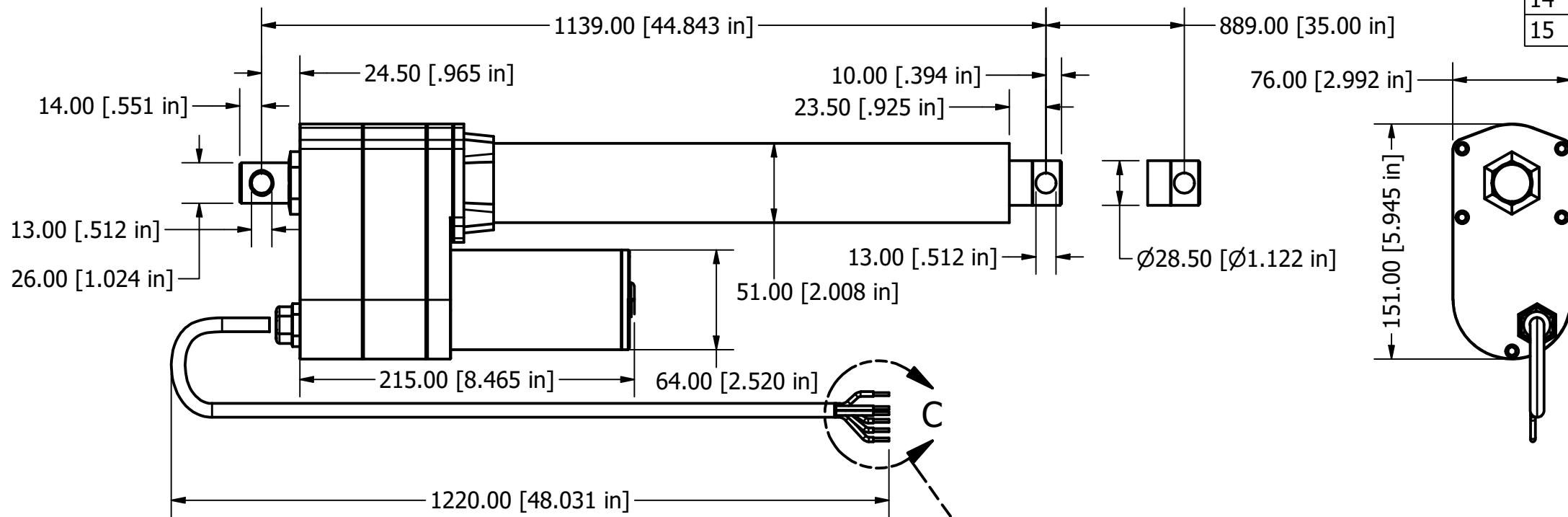


**F-PM-H-900-24v-35**  
**FORCE: 900Lbs (4000N)**

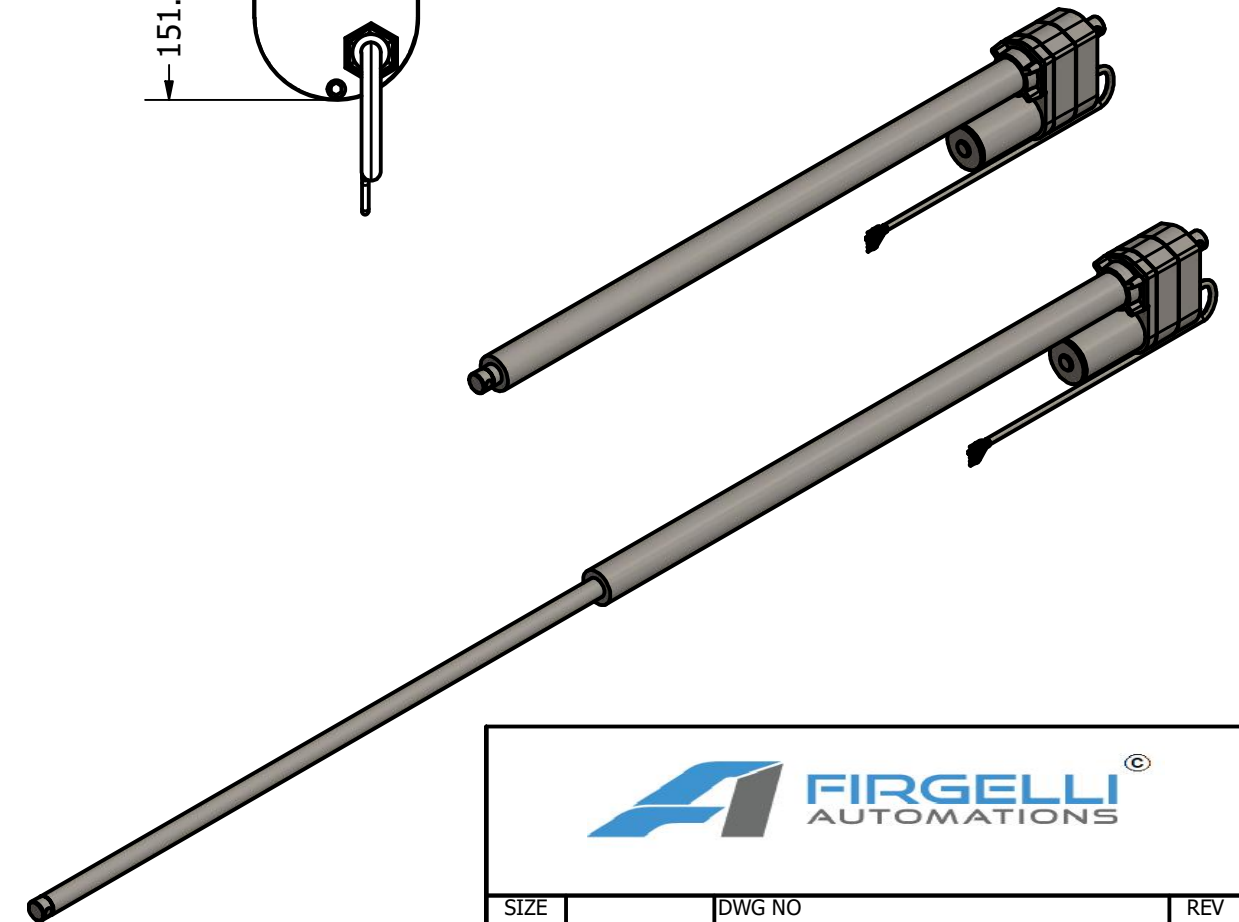
| Actuator Wiring |       |      |
|-----------------|-------|------|
| Color           | Brown | Blue |
| Extend          | -     | +    |
| Retract         | +     | -    |


| TABLE |                         |                            |
|-------|-------------------------|----------------------------|
| NO.   | Item                    | Detail                     |
| 1     | Model No.               | F-PM-H-900-24v-35"         |
| 2     | Stroke                  | 889±7mm [35 in]            |
| 3     | Voltage                 | 24V DC                     |
| 4     | Free load speed(mm/s)   | 17mm/s±10%                 |
| 5     | Full load speed(mm/s)   | 14mm/s±10%                 |
| 6     | Dynamic load capacity   | 900Lbs (4000N)             |
| 7     | Cable length(mm)        | 1220±20%mm [48.032 in]     |
| 8     | Front mounting end      | thru hole Ø13mm [Ø.512 in] |
| 9     | Rear mounting end       | thru hole Ø13mm [Ø.512 in] |
| 10    | Wire connector          | inned bare wires           |
| 11    | Limit switches          | n/a                        |
| 12    | Hall sensor             | Hall*2                     |
| 13    | Protection Rate         | IP65                       |
| 14    | Free load current (amp) | ≤ 4                        |
| 15    | Full load current (amp) | ≤ 17                       |

| Wiring For Hall Sensor |       |       |       |
|------------------------|-------|-------|-------|
| a                      | Red   | 24AWG | V+    |
| b                      | Green | 24AWG | Hall1 |
| c                      | Brown | 24AWG | Hall2 |
| d                      | Black | 24AWG | V-    |



DETAIL C  
 SCALE 1 / 1.5





|         |                   |     |
|---------|-------------------|-----|
| SIZE    | DWG NO            | REV |
| A3      | F-PM-H-900-24v-35 |     |
| SCALE   | SHEET 1 OF 1      |     |
| 1 / 3.5 |                   |     |