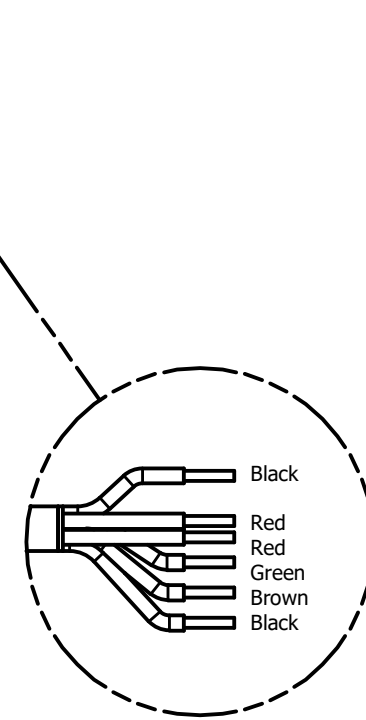
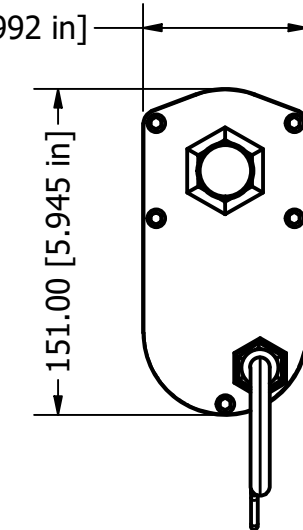
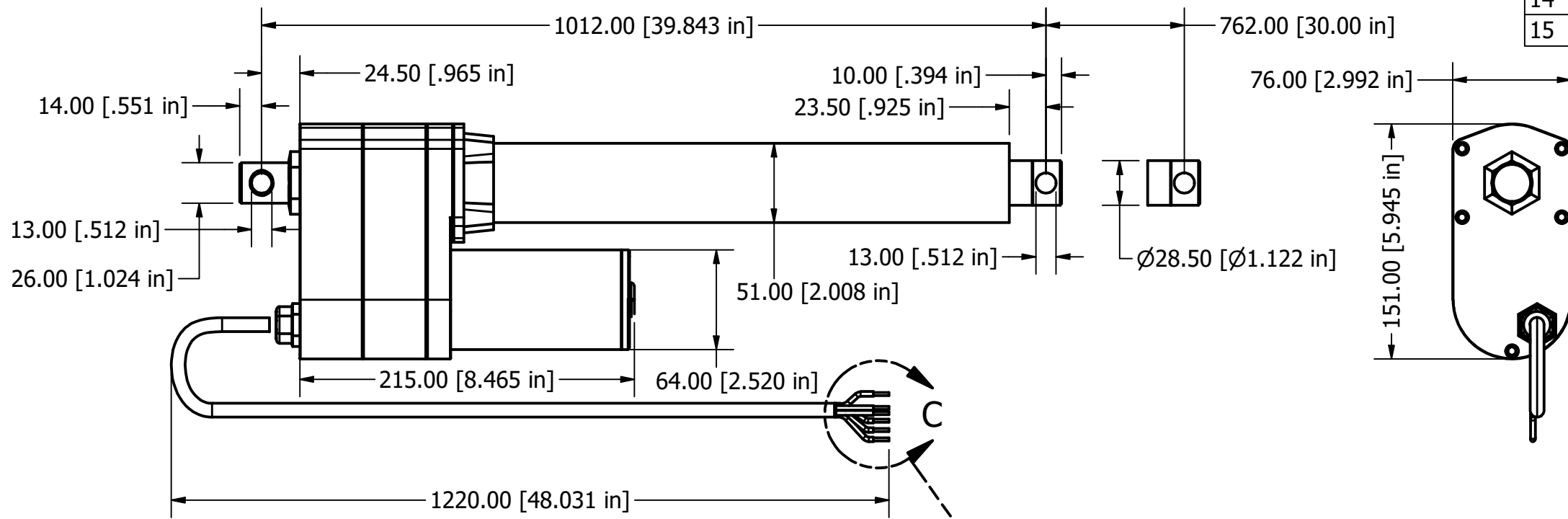


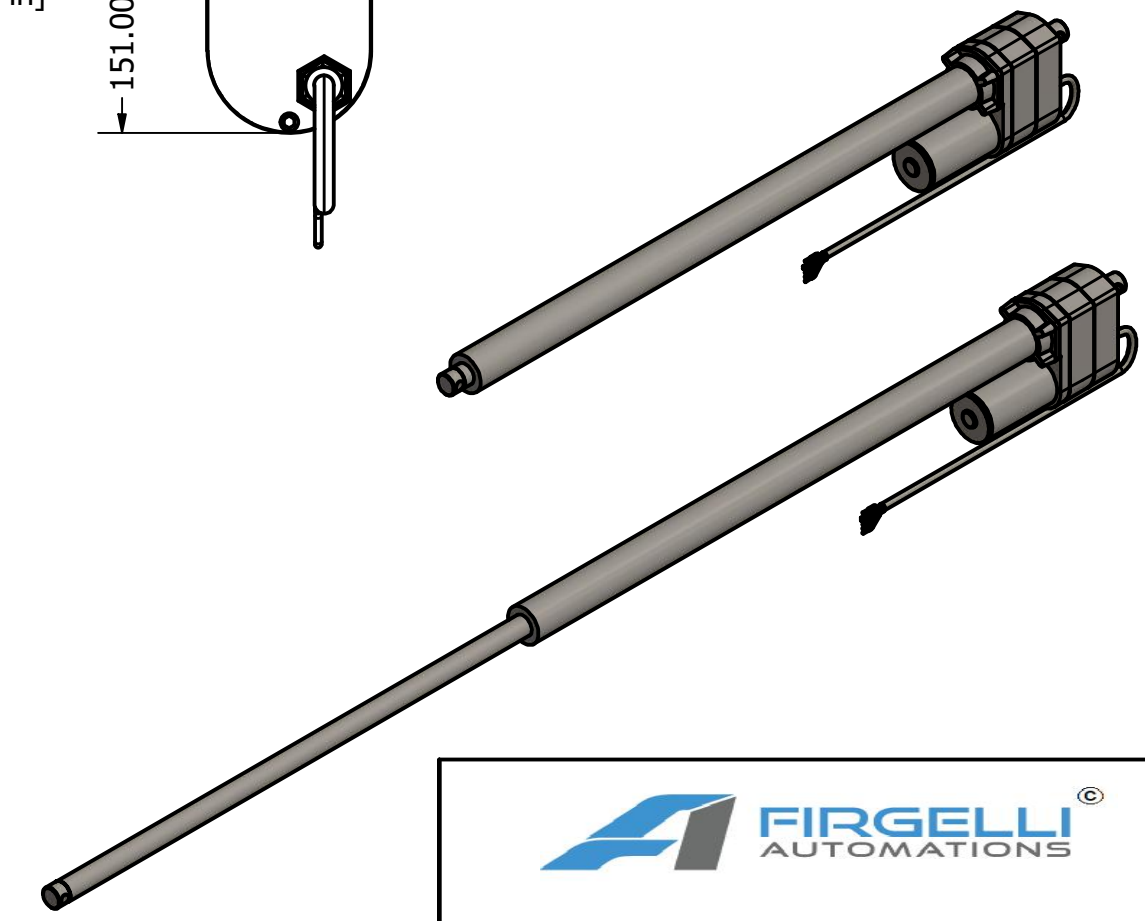
F-PM-H-900-24v-30
FORCE: 900Lbs (4000N)

Actuator Wiring			TABLE		
Color	Brown	Blue	NO.	Item	Detail
Extend	-	+	1	Model No.	F-PM-H-900-24v-30"
Retract	+	-	2	Stroke	762±7mm [30 in]
			3	Voltage	24V DC
			4	Free load speed(mm/s)	17mm/s±10%
			5	Full load speed(mm/s)	14mm/s±10%
			6	Dynamic load capacity	900Lbs (4000N)
			7	Cable length(mm)	1220±20%mm [48.032 in]
			8	Front mounting end	thru hole Ø13mm [Ø.512 in]
			9	Rear mounting end	thru hole Ø13mm [Ø.512 in]
			10	Wire connector	inned bare wires
			11	Limit switches	n/a
			12	Hall sensor	Hall*2
			13	Protection Rate	IP65
			14	Free load current (amp)	≤ 4
			15	Full load current (amp)	≤ 17

Wiring For Hall Sensor			
a	Red	24AWG	V+
b	Green	24AWG	Hall1
c	Brown	24AWG	Hall2
d	Black	24AWG	V-



DETAIL C
 SCALE 1 / 1.5



FIRGELLI
 AUTOMATIONS

SIZE A3	DWG NO F-PM-H-900-24v-30	REV
SCALE 1 / 3.5	SHEET 1 OF 1	