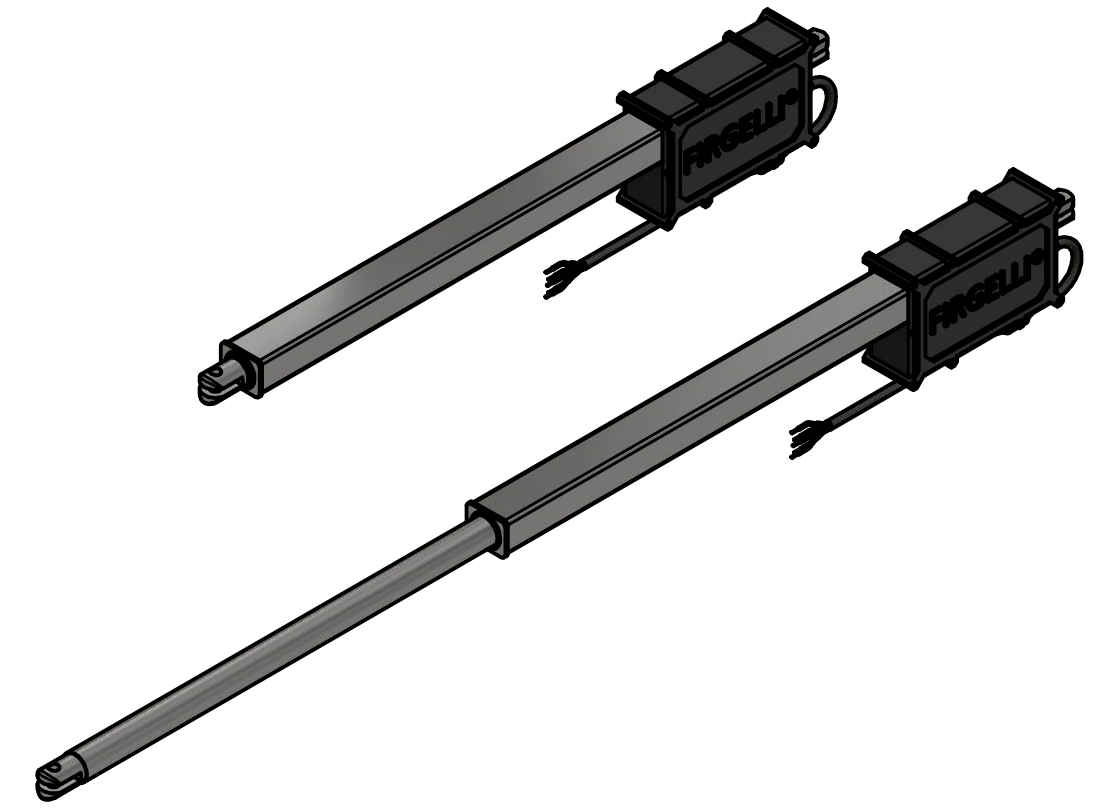
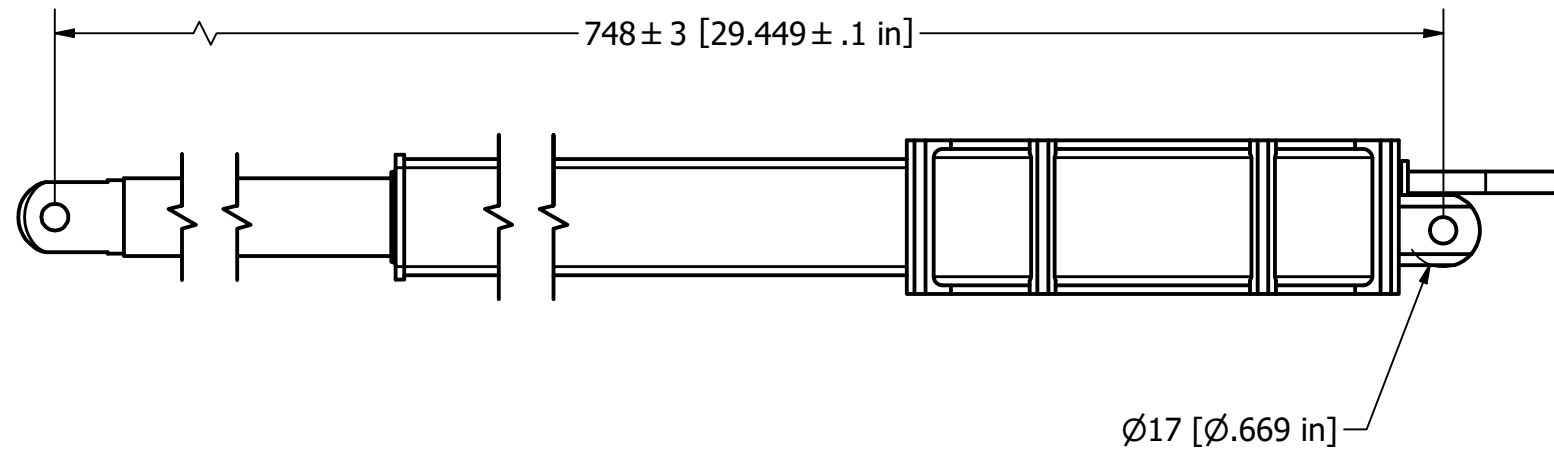
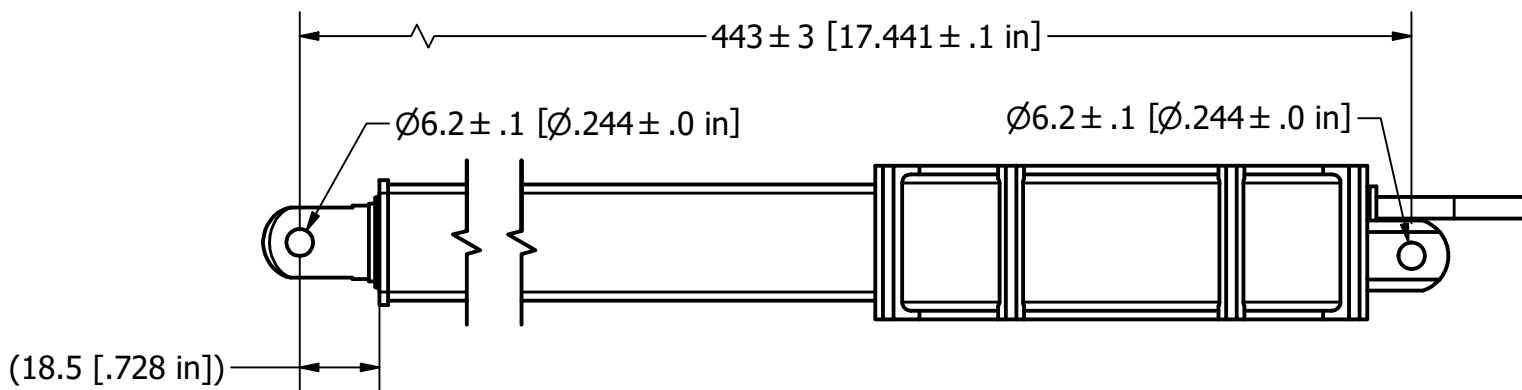
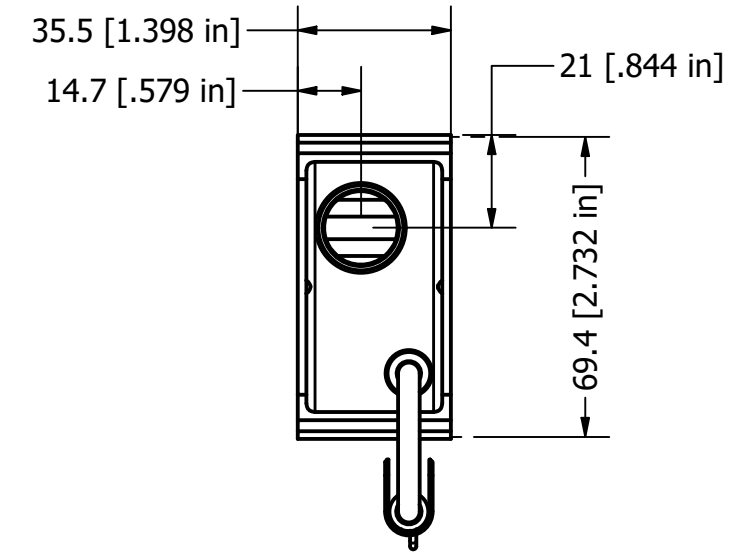
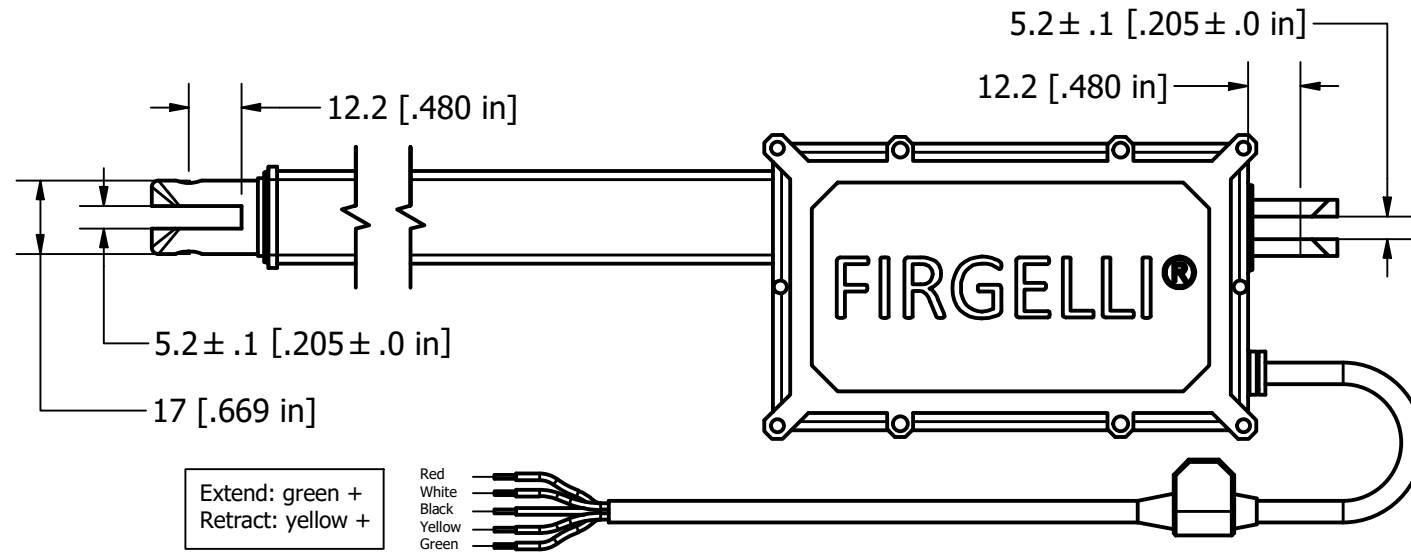


**FA-U-330-12-12**  
**FORCE: B motor(1500N)**



DRAWN	MR ADEBAYO	24/07/2022			
CHECKED					
QA			TITLE		
MFG			ACTUATOR		
APPROVED			SIZE	DWG NO	REV
STROKE	10"		A3	Actuator Drawing	
			SCALE	SHEET 1 OF 2	
			1 / 1.75		