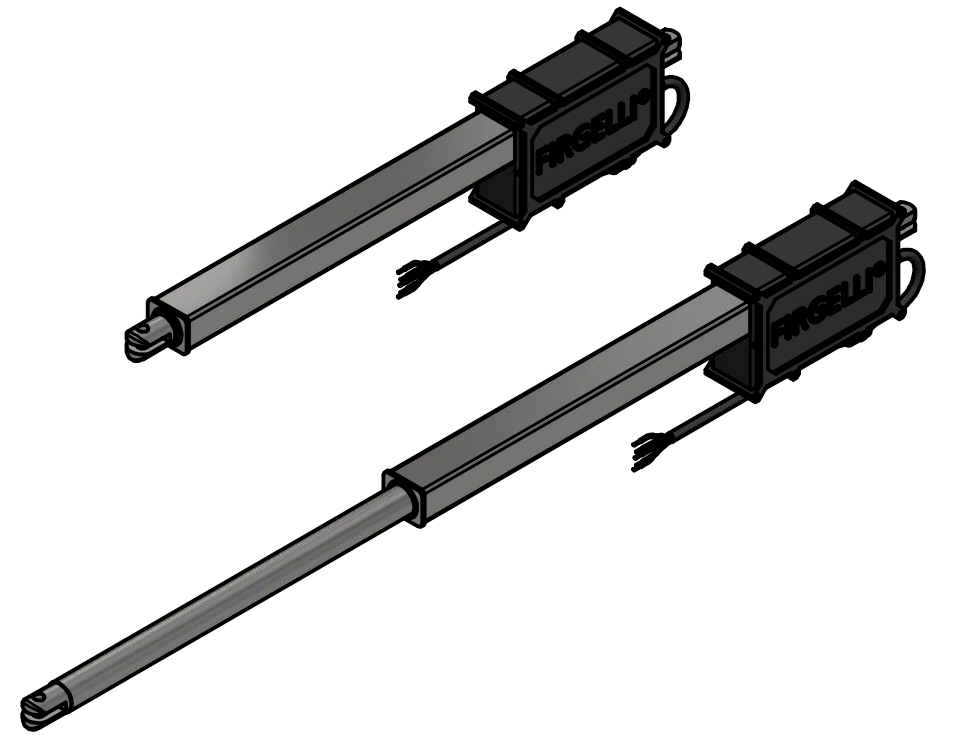
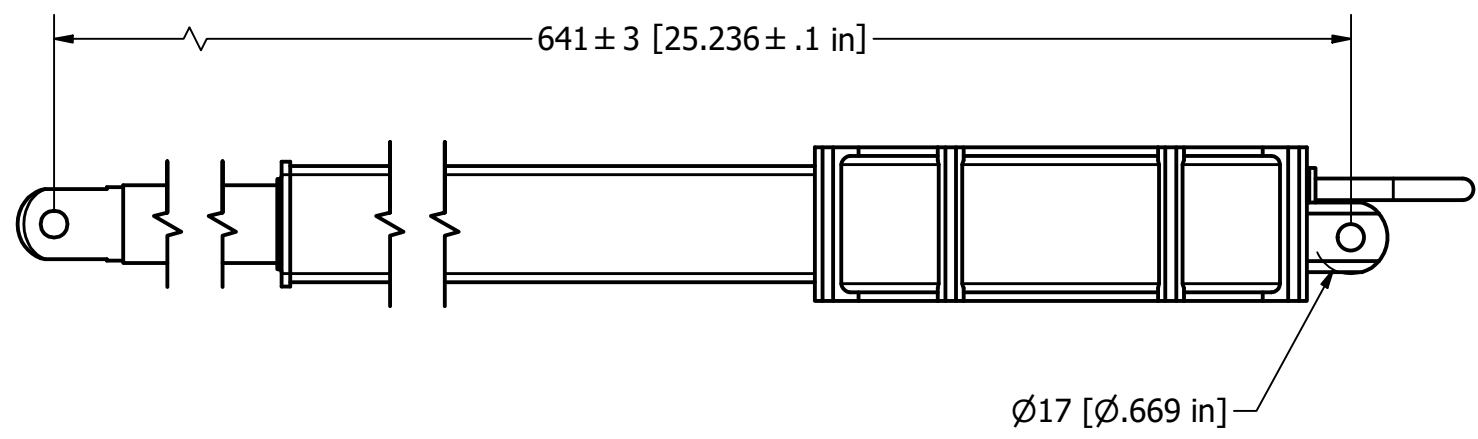
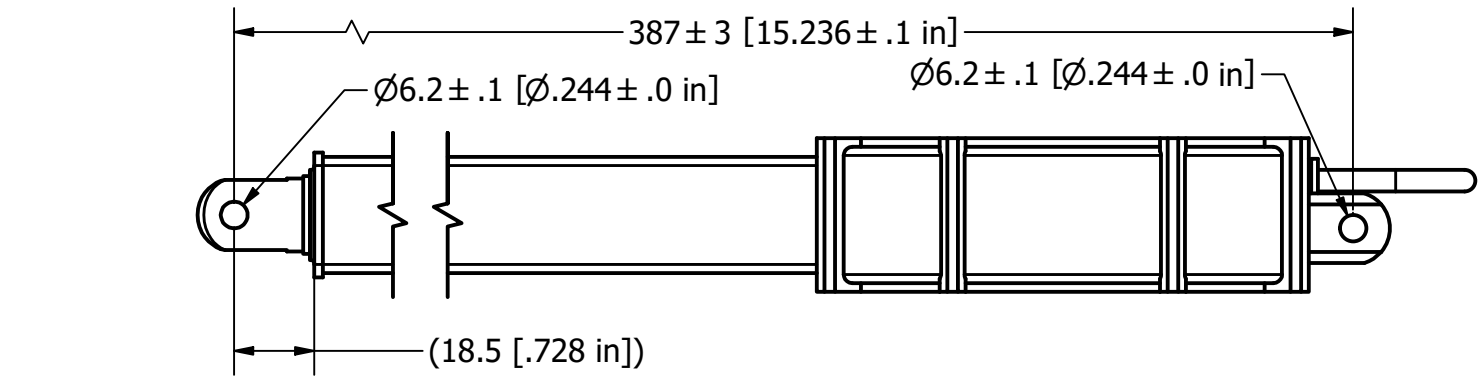
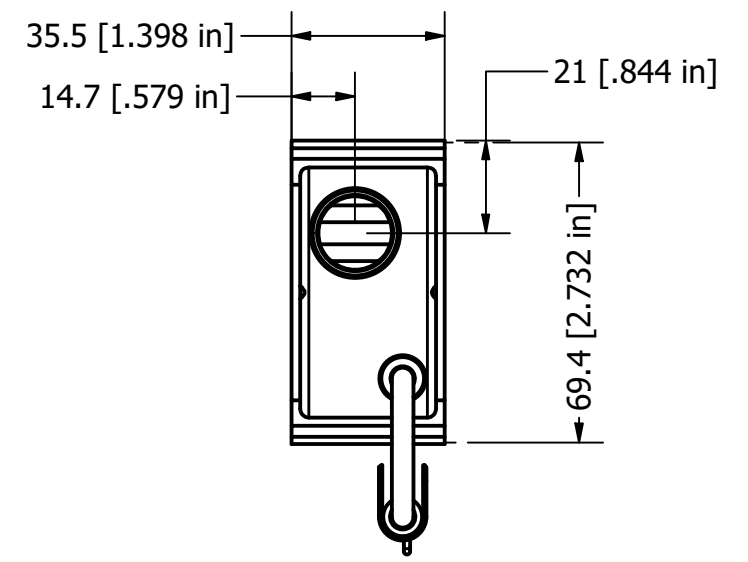
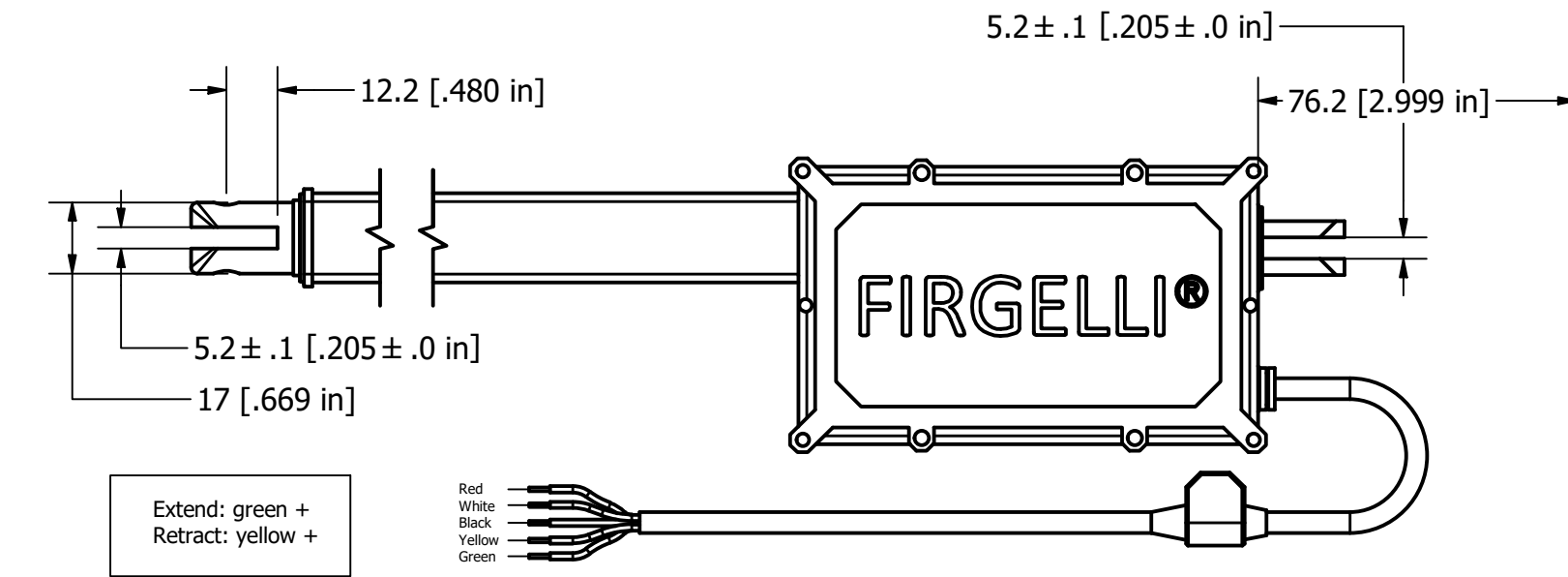


FA-U-110-12-10
FORCE: E motor(500N)



DRAWN MR ADEBAYO	24/07/2022			
CHECKED				
QA		TITLE		
MFG		ACTUATOR		
APPROVED		SIZE	DWG NO	REV
STROKE	10"	A3	Actuator Drawing	
		SCALE	SHEET 2 OF 2	
		1 / 1.75		