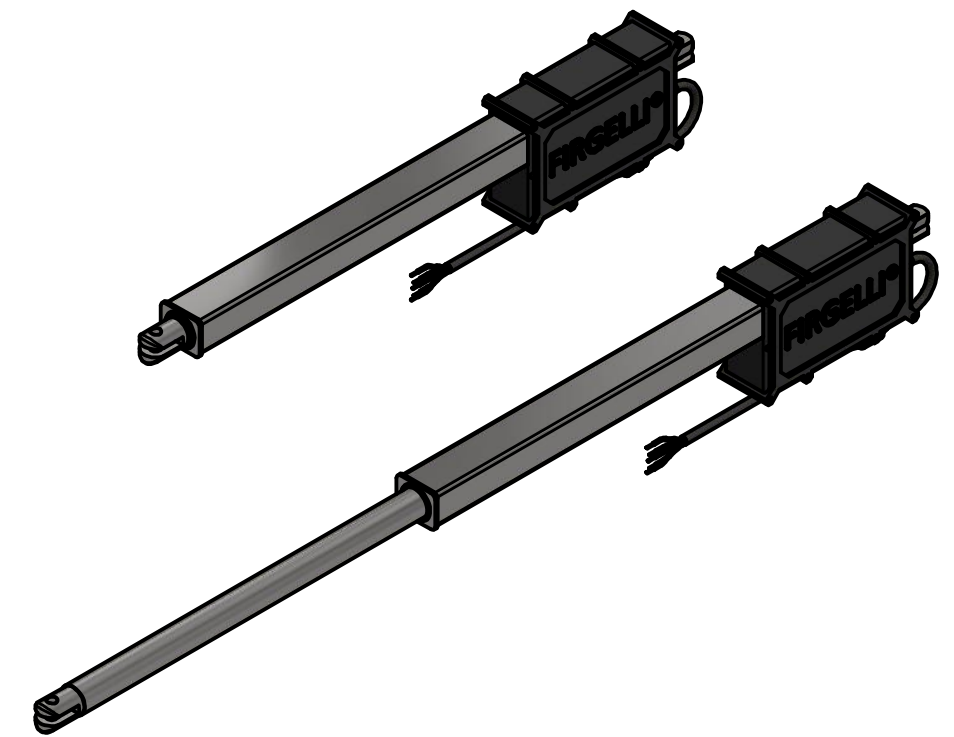
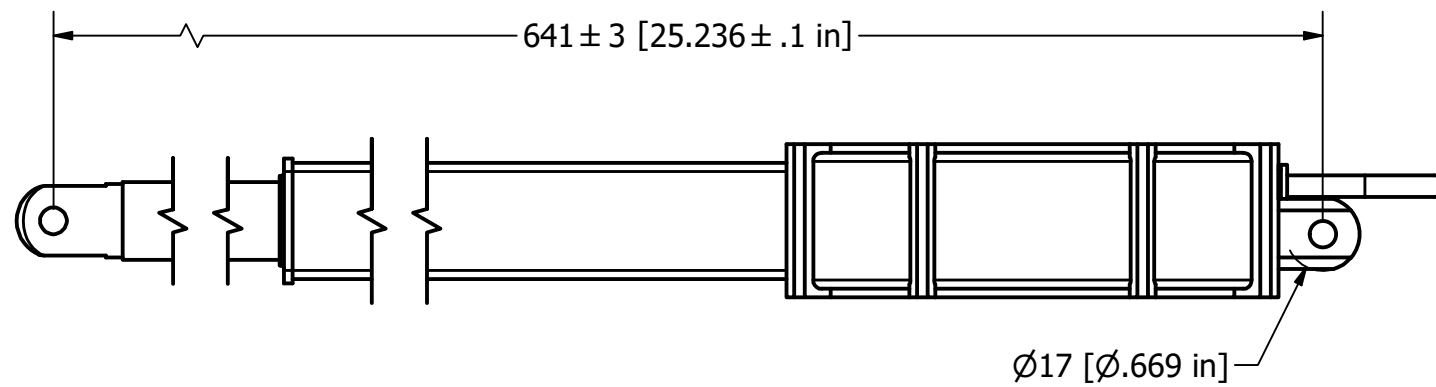
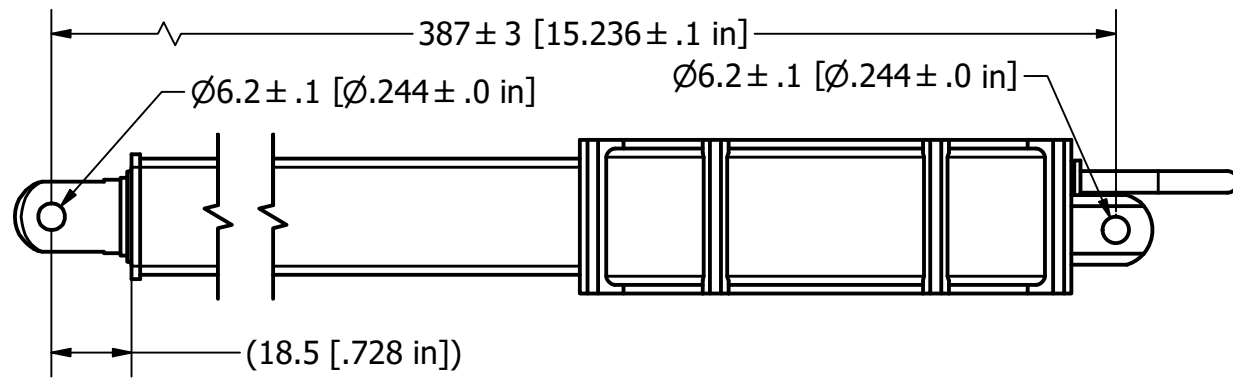
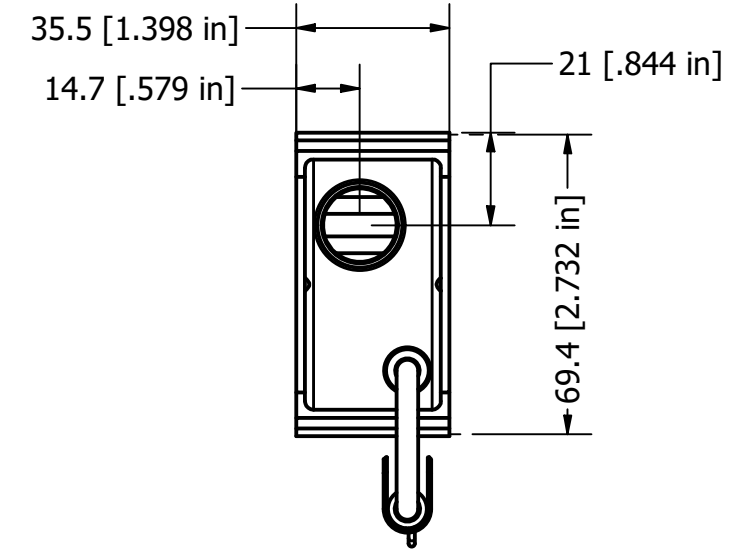
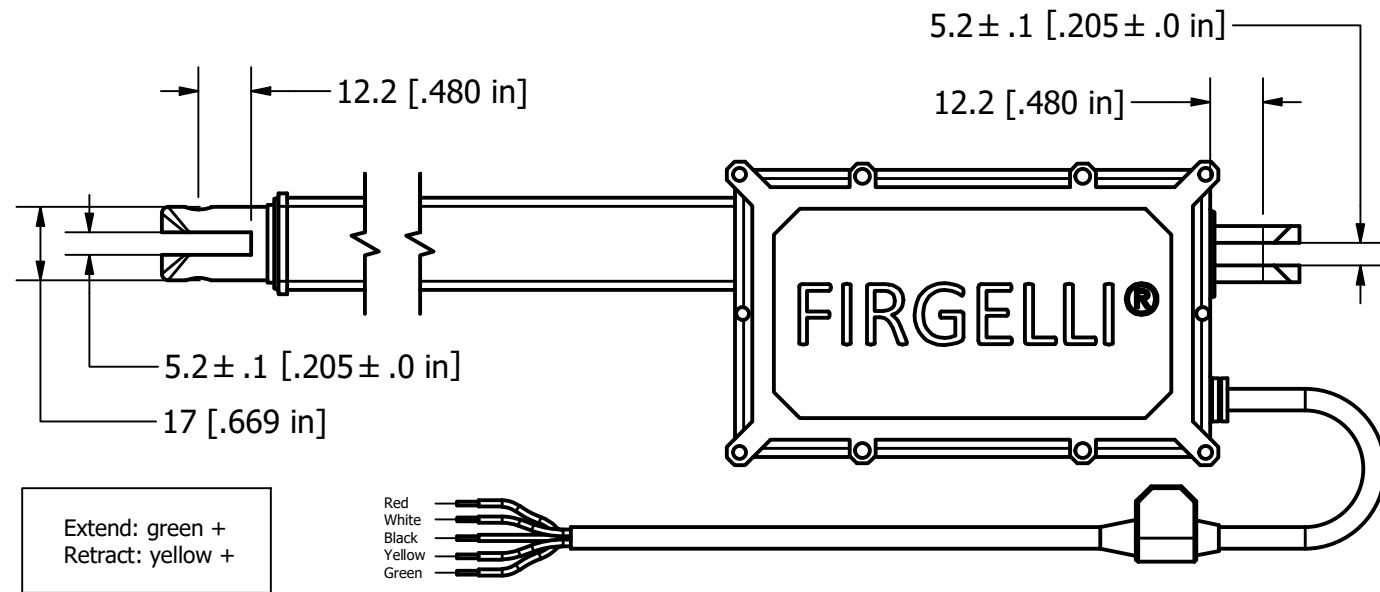


FA-U-330-12-10
FORCE: B motor(1500N)



DRAWN MR ADEBAYO	24/07/2022			
CHECKED				
QA		TITLE		
MFG		ACTUATOR		
APPROVED		SIZE	DWG NO	REV
STROKE	10"	A3	Actuator Drawing	
		SCALE	SHEET 1 OF 2	
		1 / 1.75		