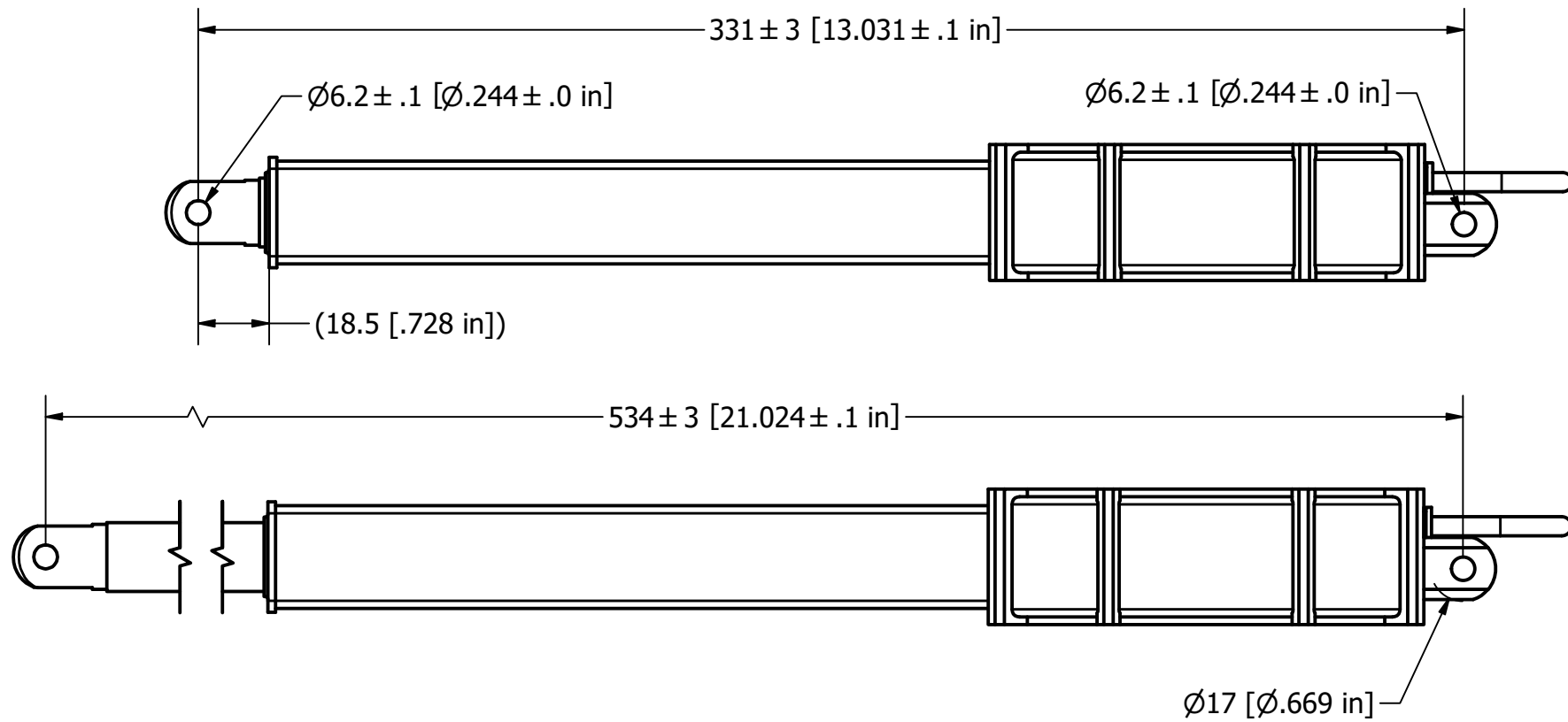
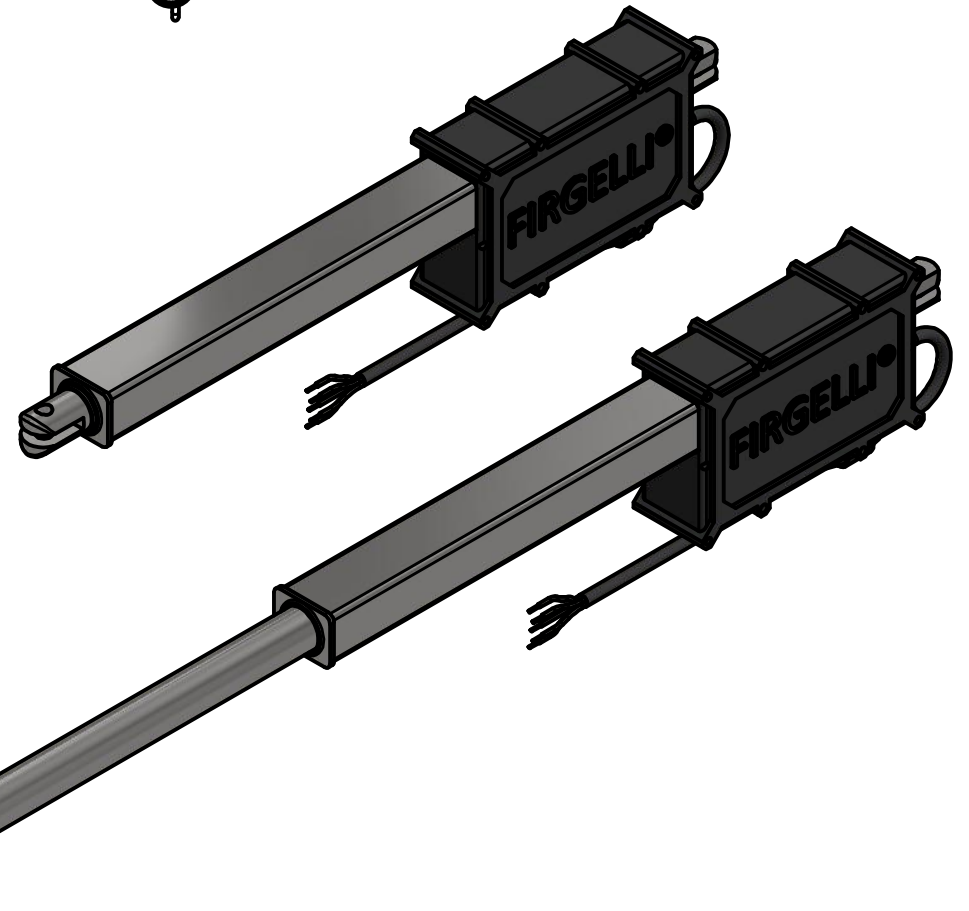
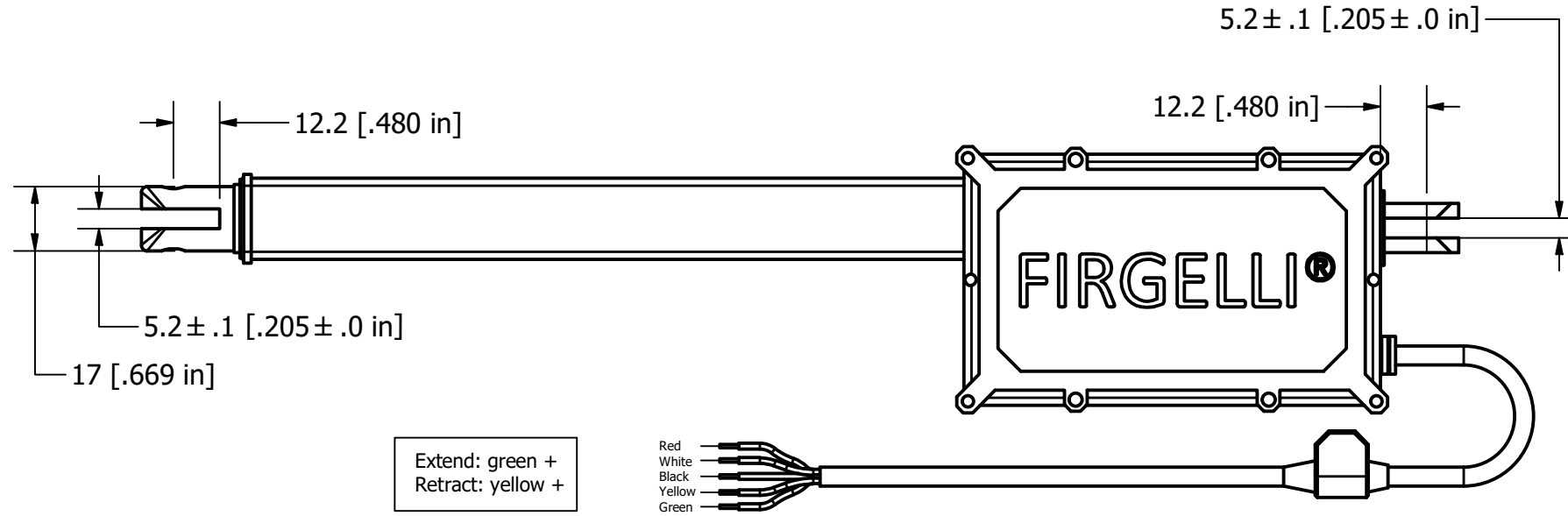


FA-U-110-12-8
FORCE: E motor(500N)



| | | | | |
|---------------------|------------|----------|------------------|-----|
| DRAWN MR ADEBAYO | 24/07/2022 | | | |
| CHECKED | | | | |
| QA | | TITLE | | |
| MFG | | ACTUATOR | | |
| APPROVED | | SIZE | DWG NO | REV |
| STROKE | 8" | A3 | Actuator Drawing | |
| | | SCALE | SHEET 2 OF 2 | |
| | | 1 / 1.75 | | |