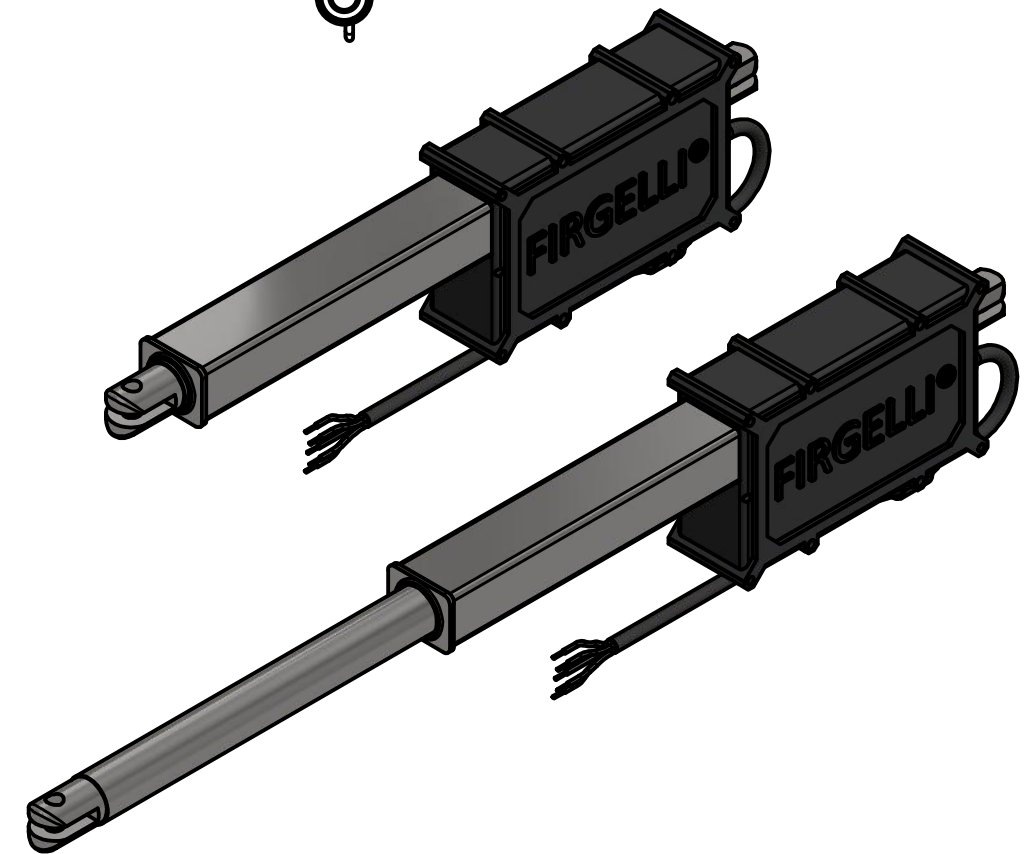
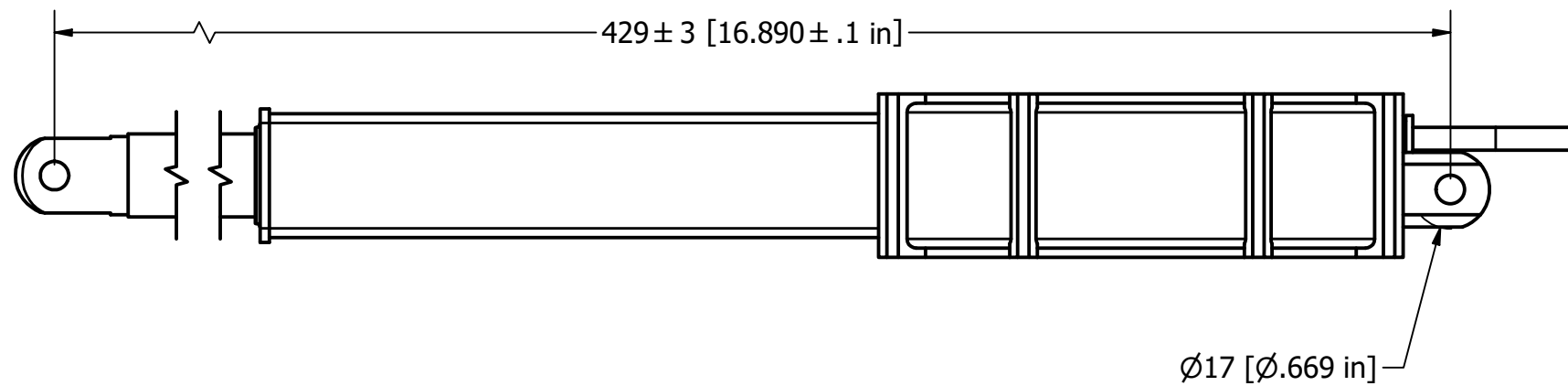
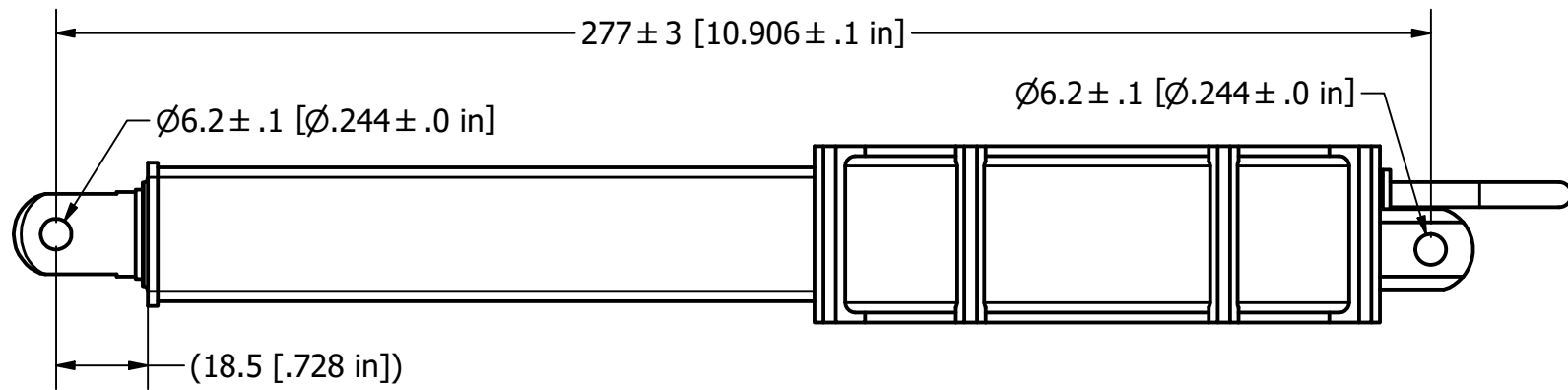
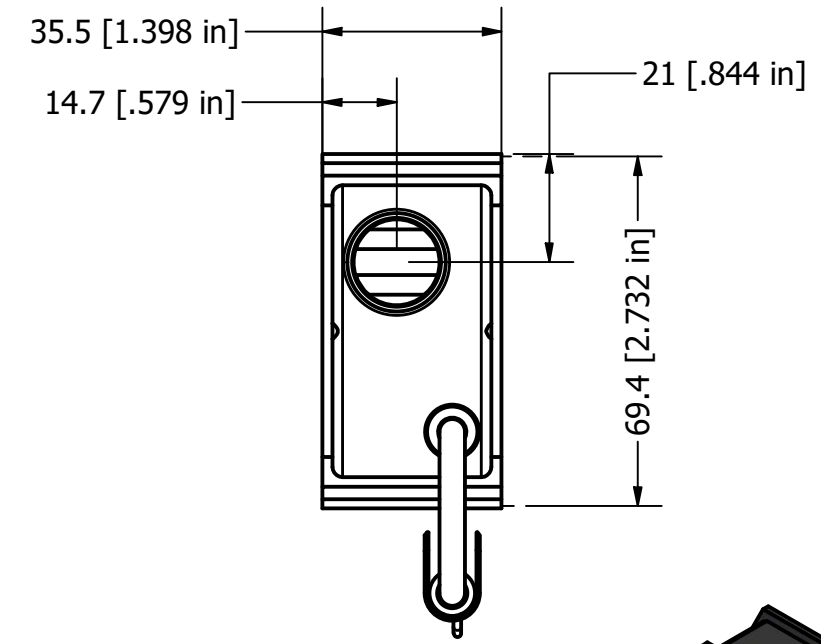
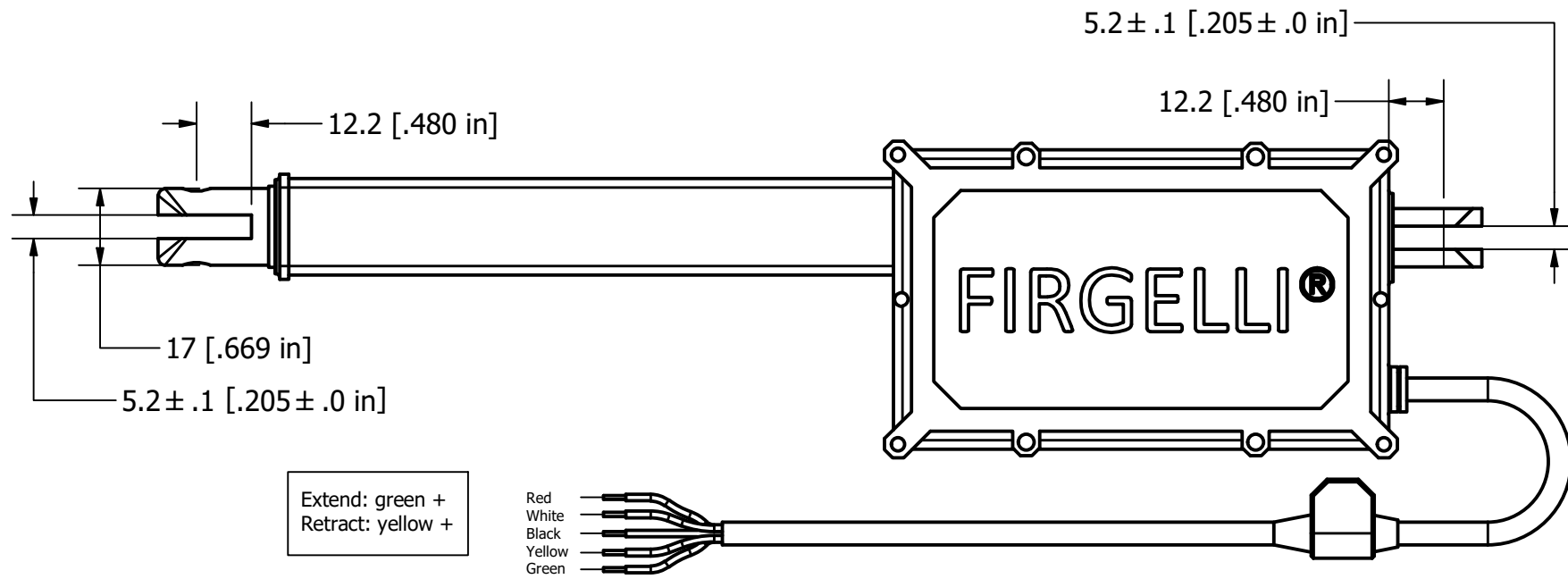



**FA-U-110-12-6**  
**FORCE: E motor(500N)**



DRAWN MR ADEBAYO	24/07/2022			
CHECKED				
QA		TITLE		
MFG		ACTUATOR		
APPROVED		SIZE	DWG NO	REV
STROKE	6"	A3	Actuator Drawing	
		SCALE	SHEET 2 OF 2	
		1 : 1.5		