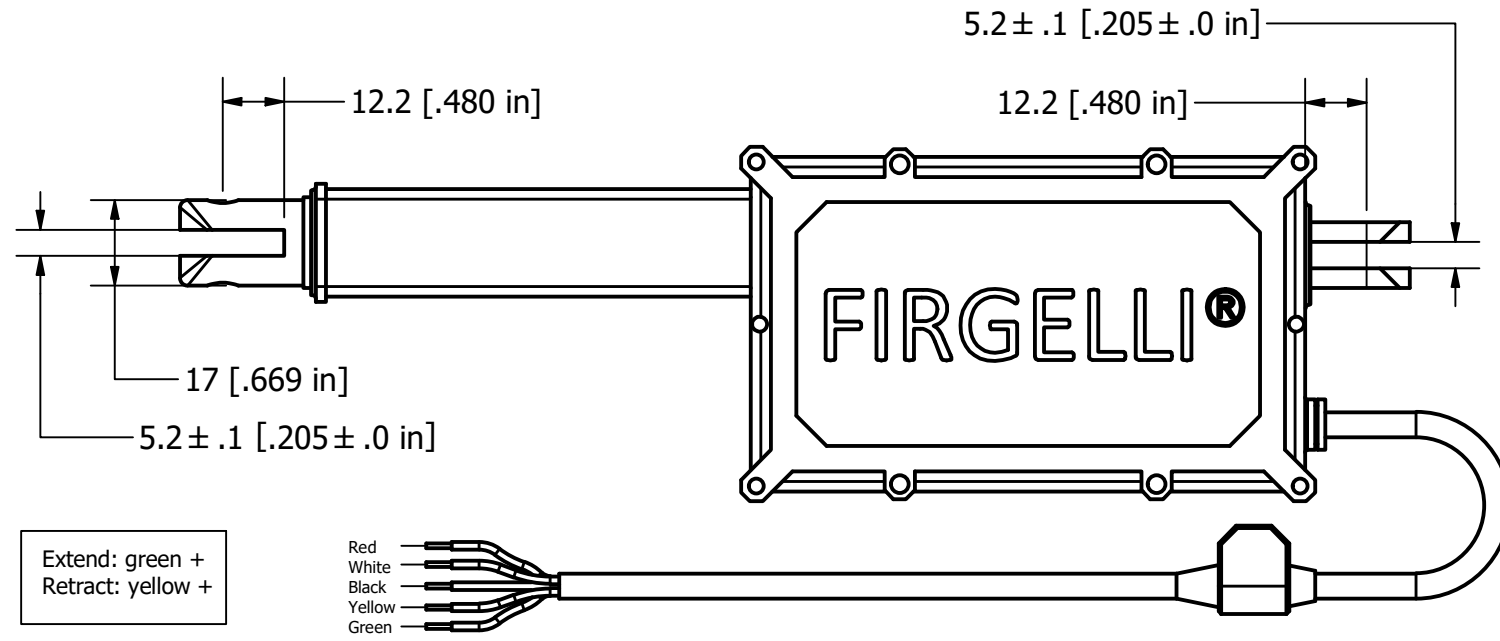
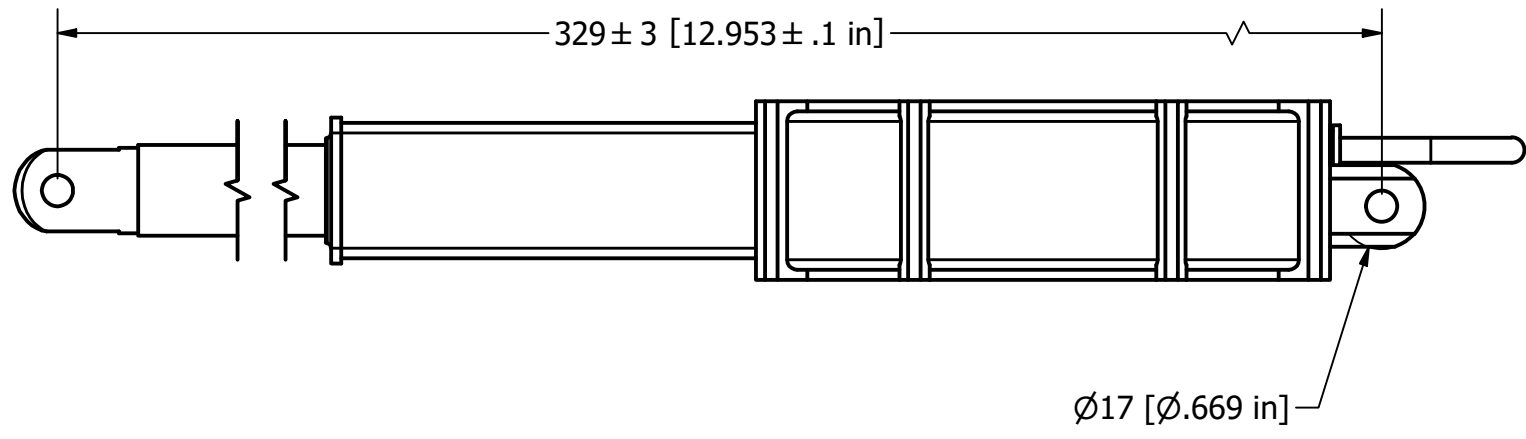
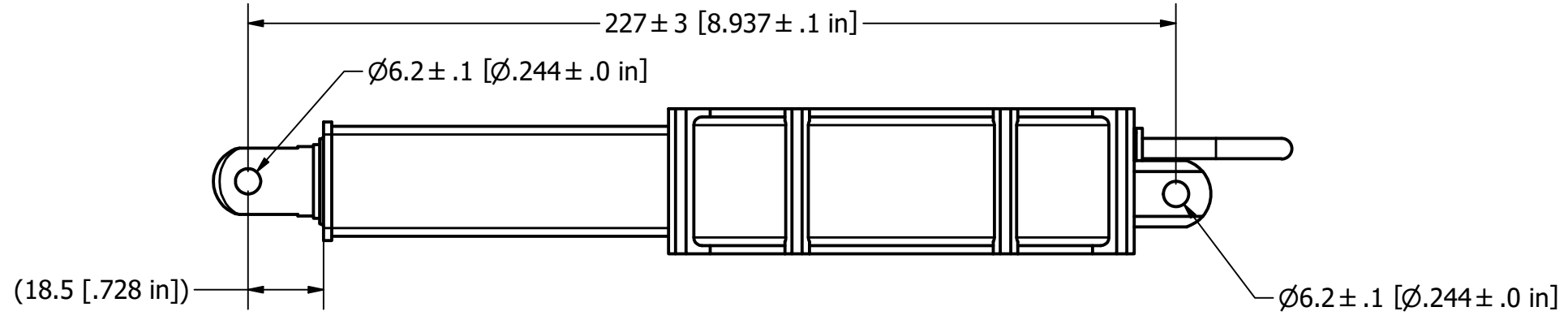
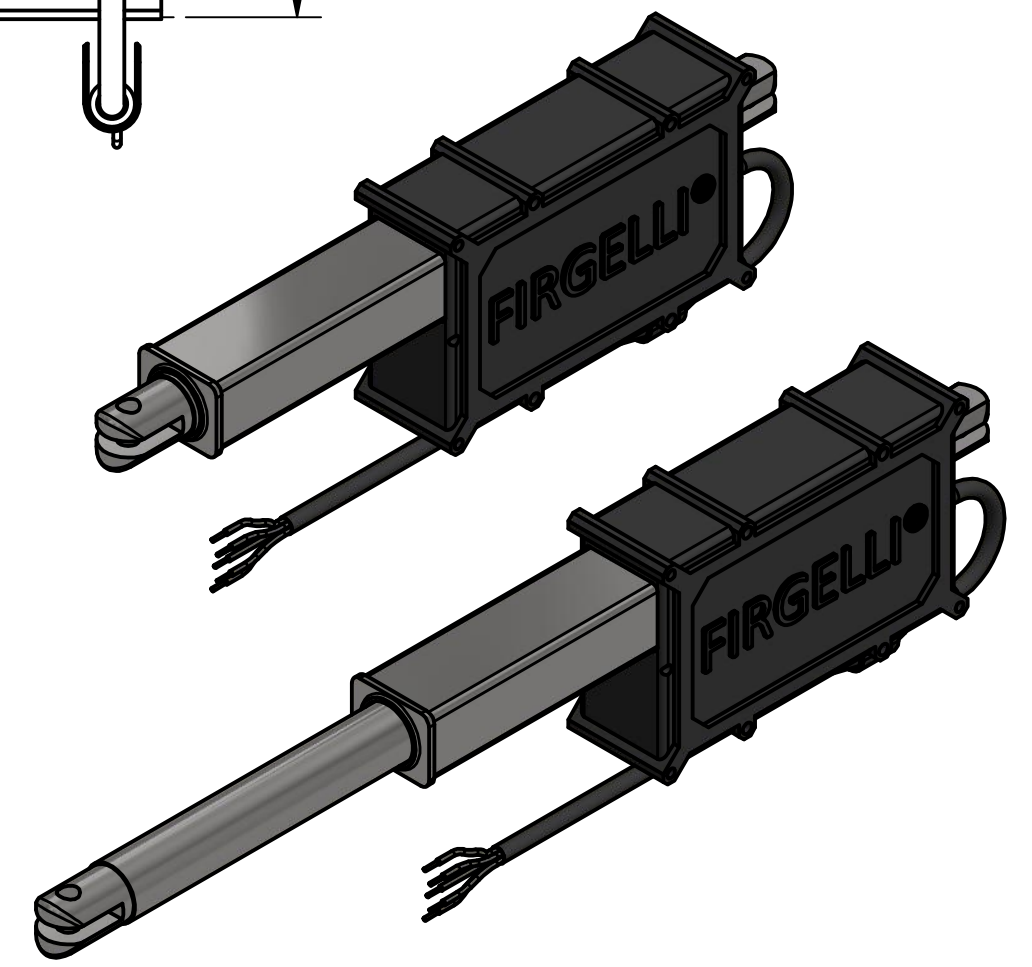
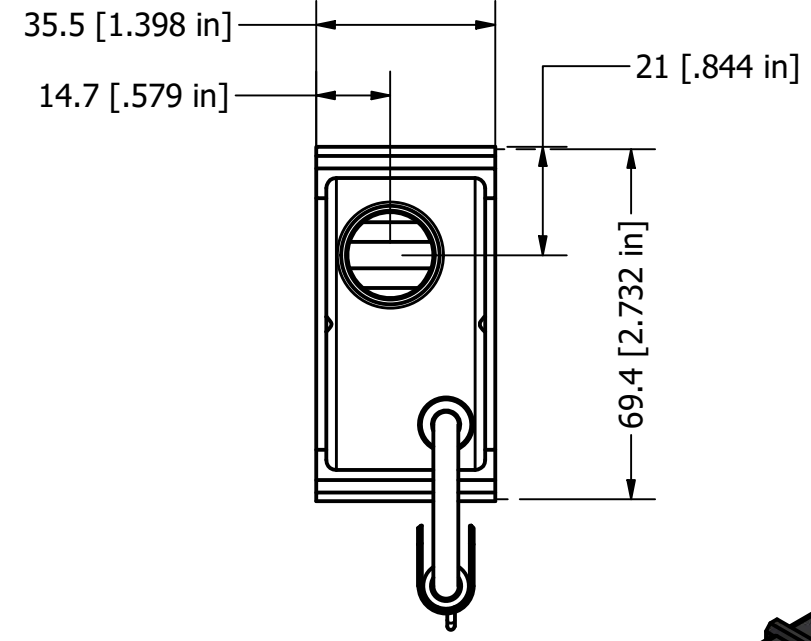


**FA-U-110-12-4**  
**FORCE: E motor(500N)**



Extend: green +  
 Retract: yellow +

Red  
 White  
 Black  
 Yellow  
 Green



|                     |            |          |                  |     |
|---------------------|------------|----------|------------------|-----|
| DRAWN<br>MR ADEBAYO | 23/07/2022 |          |                  |     |
| CHECKED             |            |          |                  |     |
| QA                  |            | TITLE    |                  |     |
| MFG                 |            | ACTUATOR |                  |     |
| APPROVED            |            | SIZE     | DWG NO           | REV |
| STROKE              | 4"         | A3       | Actuator Drawing |     |
|                     |            | SCALE    | SHEET 2 OF 2     |     |
|                     |            | 1 : 1.5  |                  |     |