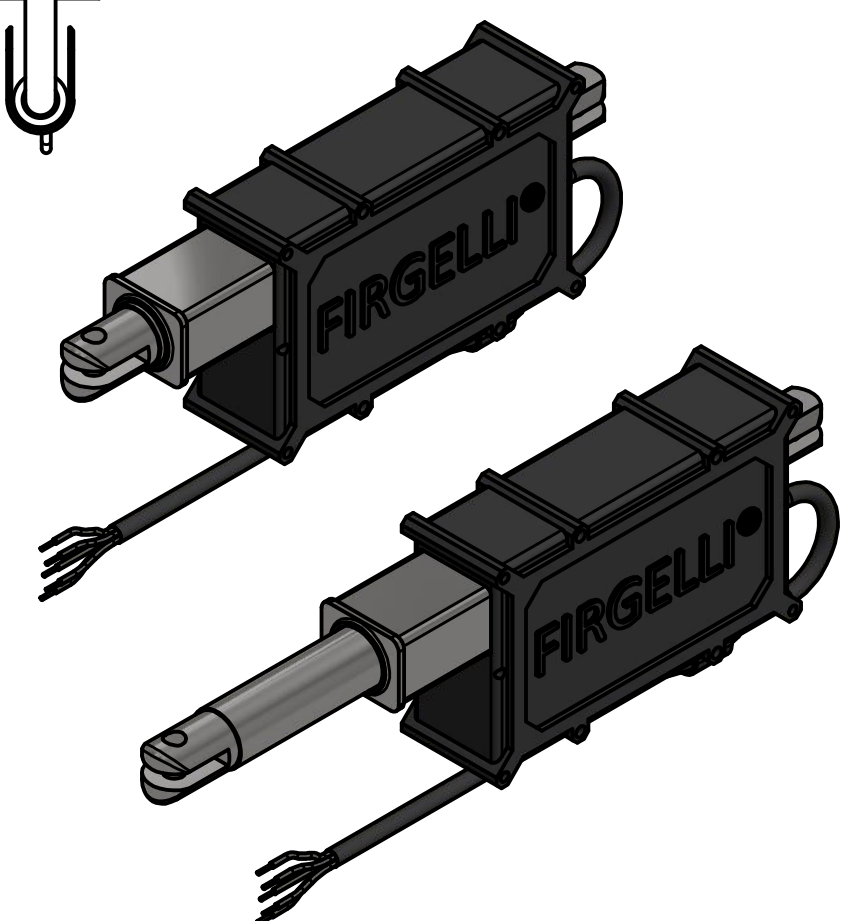
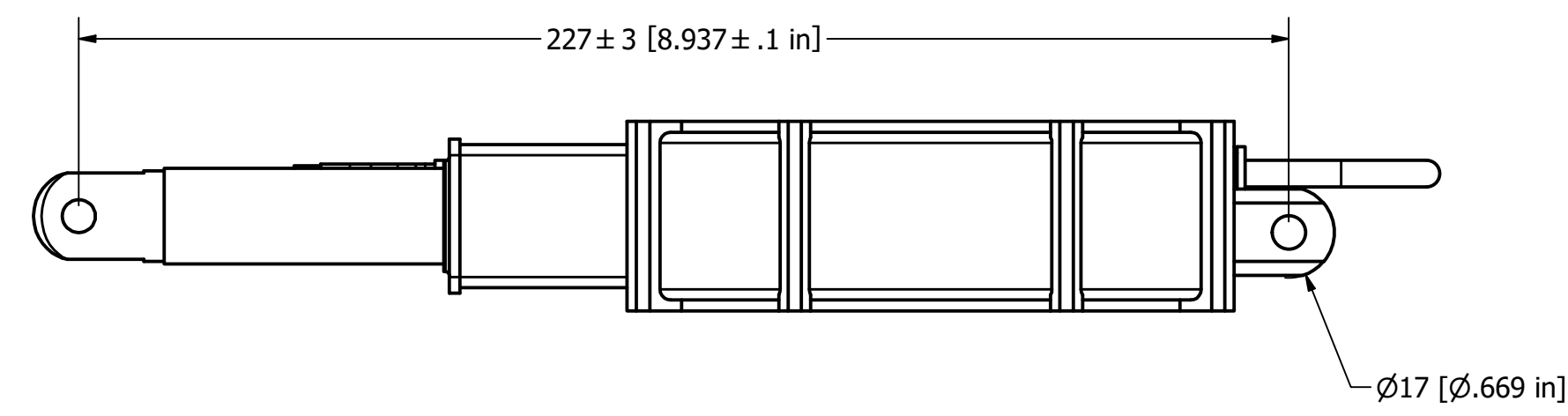
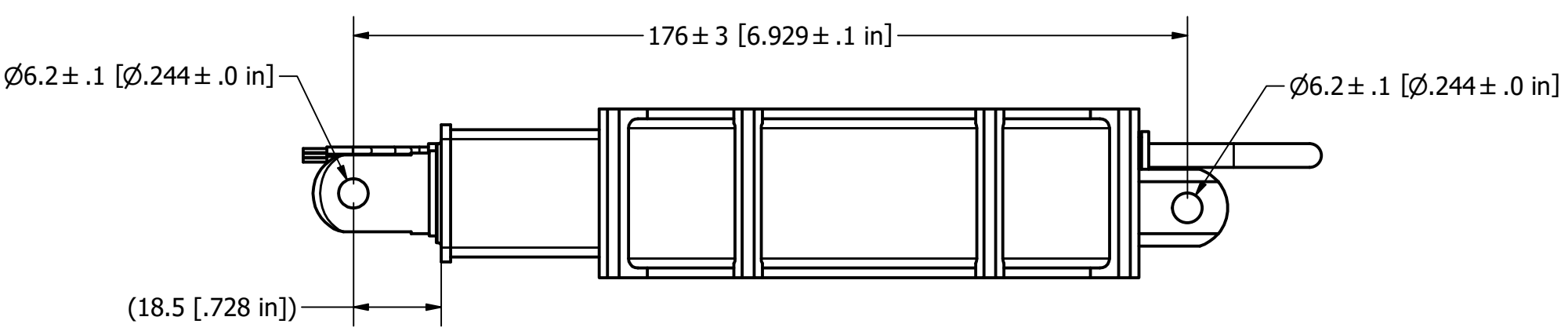
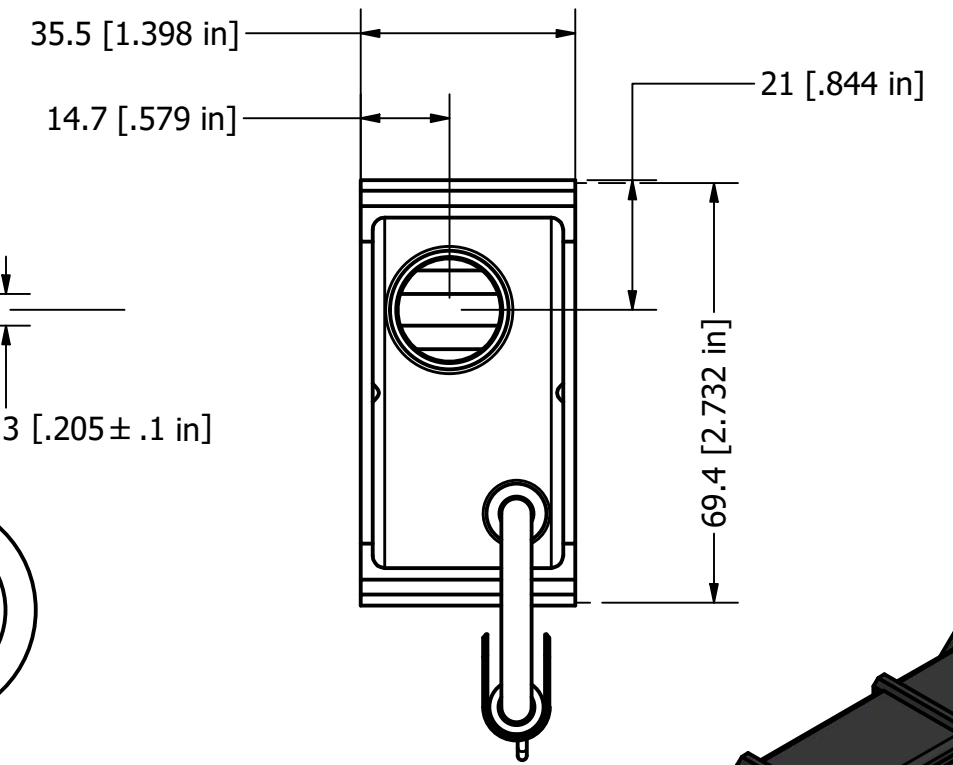
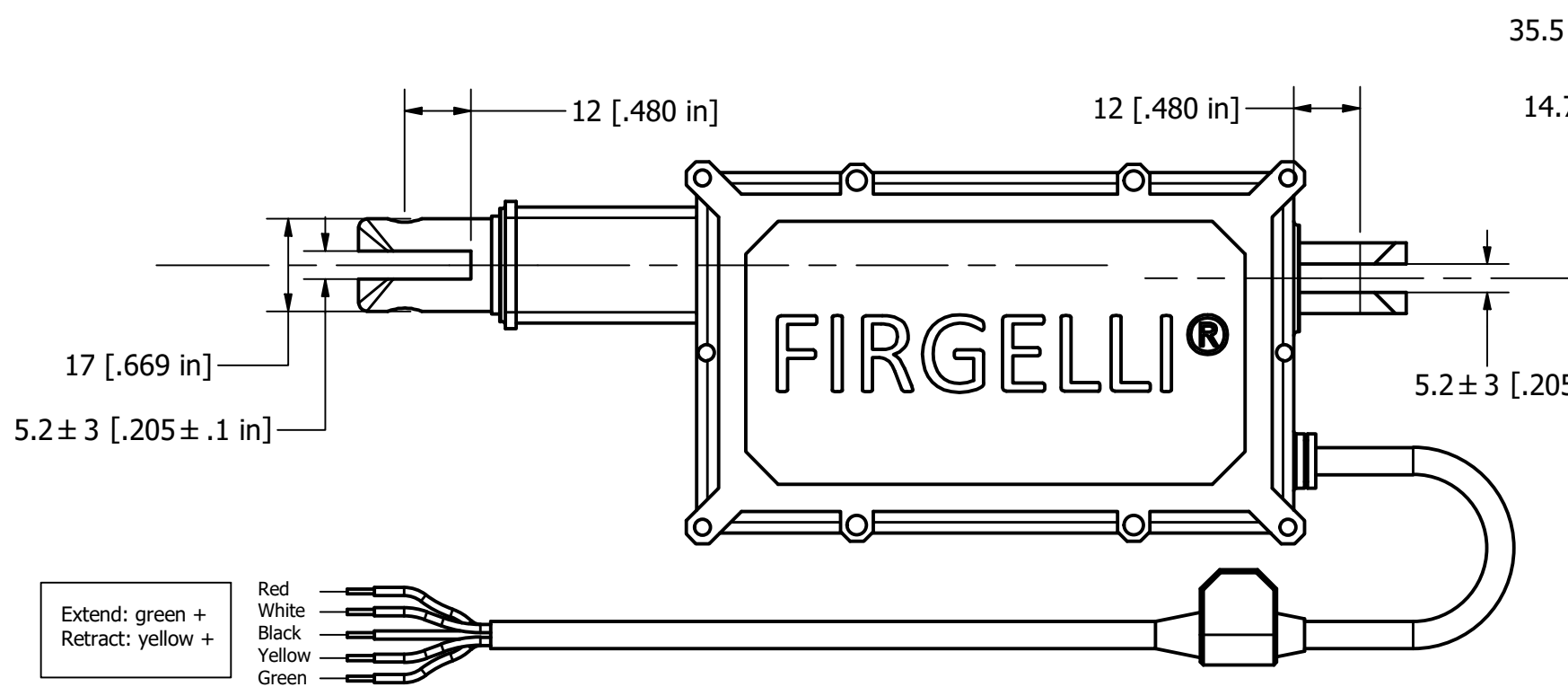



FA-U-110-12-2
FORCE: E motor(500N)



DRAWN MR ADEBAYO	22/07/2022			
CHECKED				
QA		TITLE		
MFG		ACTUATOR		
APPROVED		SIZE	DWG NO	REV
STROKE	2"	A3	Actuator Drawing 2in	
		SCALE	SHEET 2 OF 2	
		1 : 1.25		