

# OPTIPILLOWS

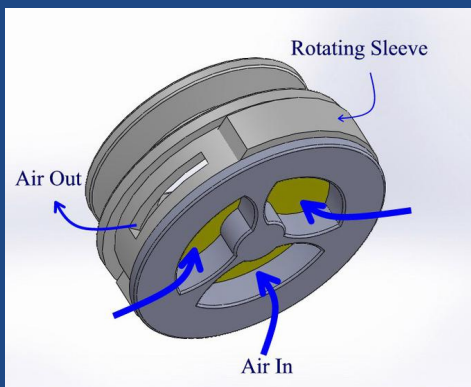
## EPAP MASK

Using Expiratory Positive Air Pressure to Alleviate Snoring & Give you Back a Restful Night's Sleep

Tired of waking up throughout the night due to snoring? Need a comfortable solution that you can live (sleep) with? That's why we created Optipillows EPAP Mask. It works like a CPAP mask, but without the tubing and machine. Optipillows requires no power source.



Get the Sleep you Deserve



## What Causes Snoring ?

During sleep muscles & tissues around the throat relax and settle toward the back of the mouth. This causes obstruction of the upper airway which leads to snoring and obstructive sleep apnea.

**Only EPAP Device with Adjustable Pressure**

**No Tubing, Machine, or Power Supply Needed**

**Nighttime Movement is Not Restricted**

**Reusable & Cost Effective**

**Lightweight & Comfortable**

**No Prescription Required**

