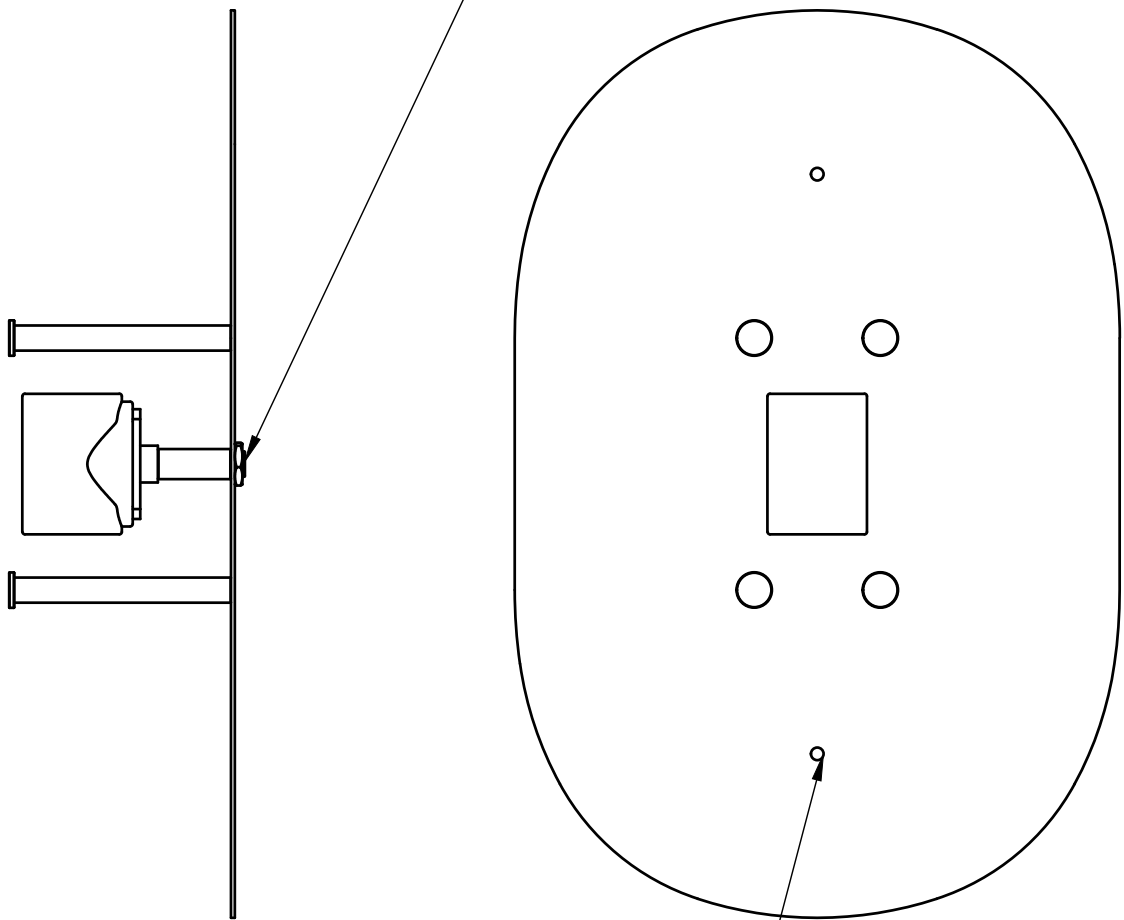



Dept.	Technical reference	Created by Victoria Magniant 12/07/2023	Approved by		
 VICTORIA MAGNIANT		Document type	Document status		
		Title ENSEMBLE - APPLIQUE ASTRA M UK (1)	DWG No.		
			Rev.	Date of issue	Sheet 1/4

1- Turn off the electricity

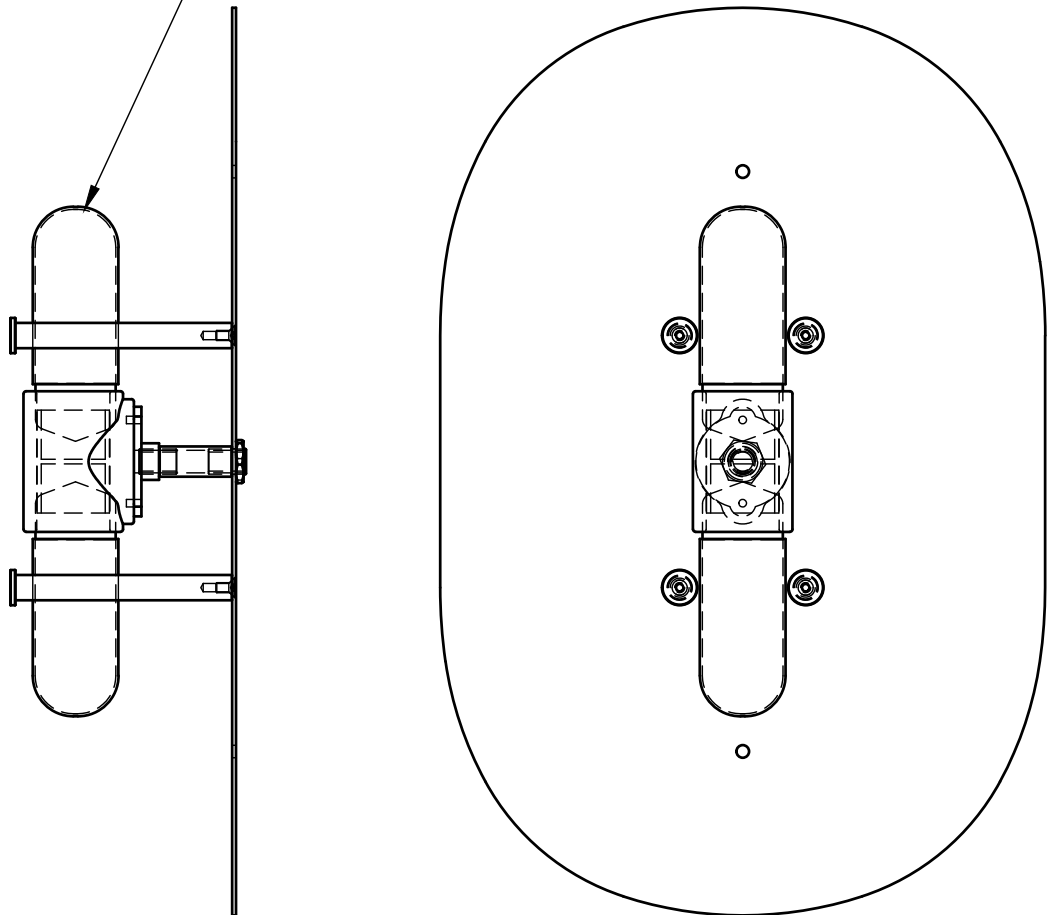
2- Connect the electrical cables from the electrical output to the lamp using wagos.




3- Fix the plate to the wall with brass screws

Dept.	Technical reference	Created by Victoria Magniant 12/07/2023	Approved by		
 VICTORIA MAGNIANT	Document type		Document status		
	Title ENSEMBLE - APPLIQUE ASTRA M UK (1)		DWG No.		
	Rev.	Date of issue	Sheet 2/4		

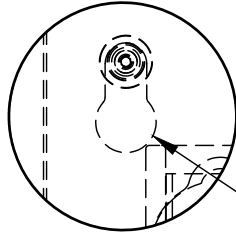
4- Screw the 26 lightbulbs to the twin socket



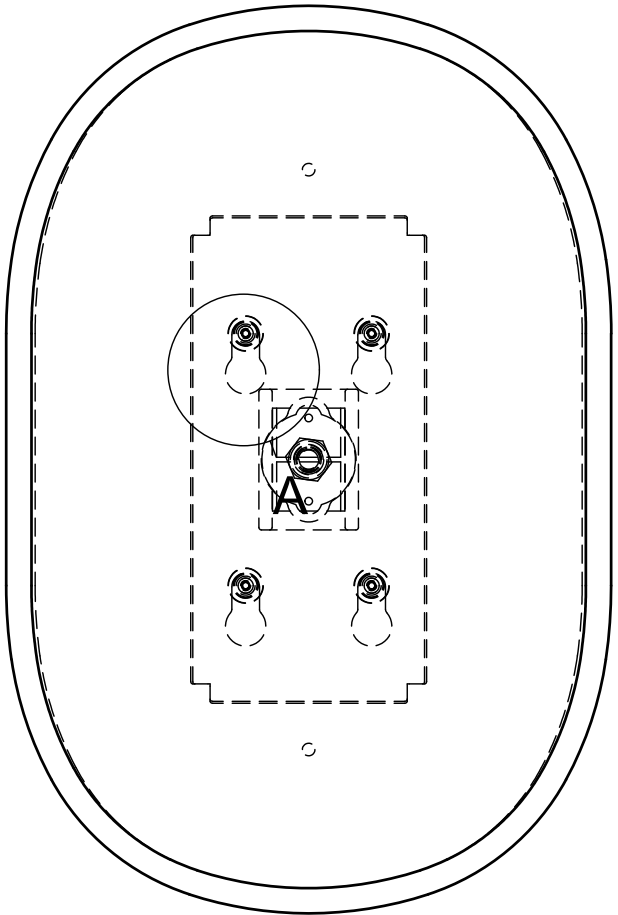
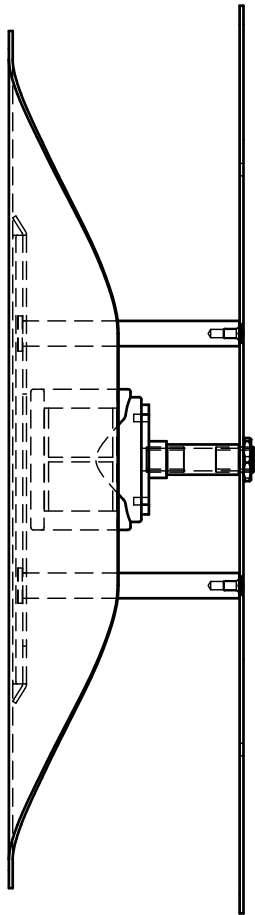
5- Turn the electricity back on to test connection


Dept.	Technical reference	Created by Victoria Magniant 12/07/2023	Approved by	
 VICTORIA MAGNIANT		Document type	Document status	
		Title ENSEMBLE - APPLIQUE ASTRA M UK (1)	DWG No.	
		Rev.	Date of issue	Sheet 3/4

A (1:2)



6- Slide the shade into the holes until it is centered with wall plate.



Dept.	Technical reference	Created by Victoria Magniant 12/07/2023	Approved by		
 VICTORIA MAGNIANT		Document type	Document status		
		Title ENSEMBLE - APPLIQUE ASTRA M UK (1)	DWG No.		
		Rev.	Date of issue	Sheet 4/4	