



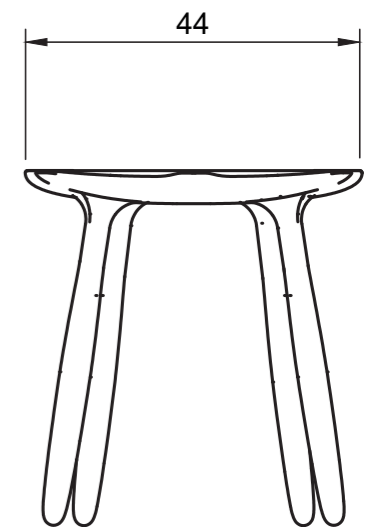
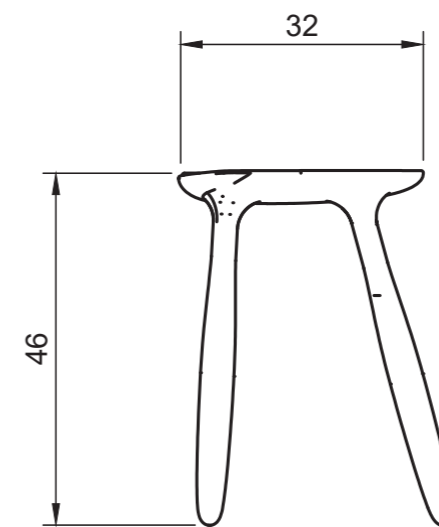
VICTORIA MAGNIANT



DAIKU STOOL

Matériaux:
Frêne massif
Dimensions:
L 44 x l 32 x H 46 cm
Couleurs:
15 teintes (voir nuancier)

Materials:
Solid ash
Dimensions:
L17" x l 12.5" x H 18"
Colors:
15 shades (see palette)



VICTORIA MAGNIANT

39 - 41 Galerie Vivienne 75002 Paris / www.victoriamagniant.com

FURNITURE AND LIGHTING COLLECTION

info@victoriamagniant.com / +33 (0)1 40 26 28 84