



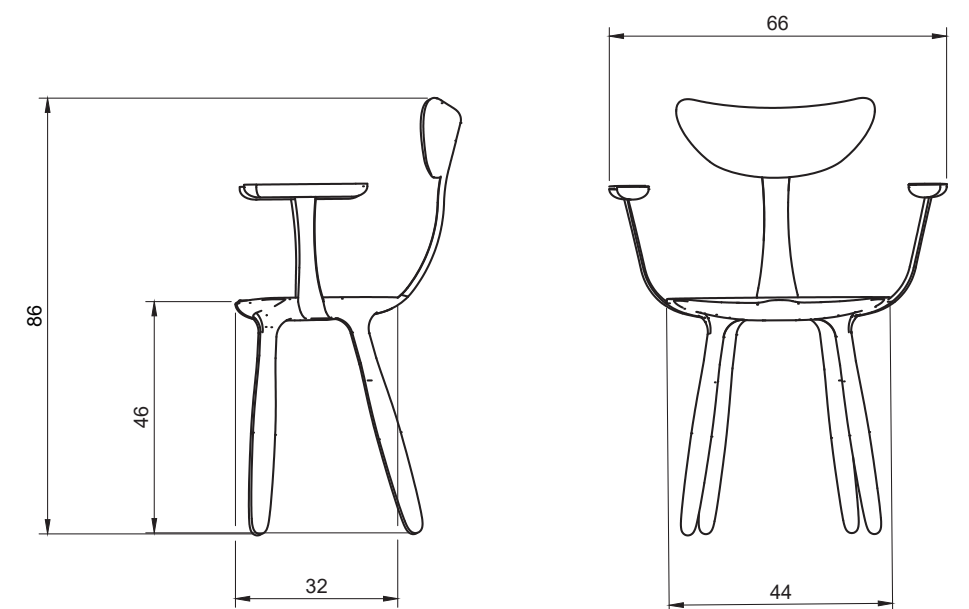
VICTORIA MAGNIANT



DAIKU ARMCHAIR

Matériaux:
Frêne massif, aluminium ton sur ton
Dimensions:
L 66 x l 32 x H 86 cm
Couleurs:
15 teintes (voir nuancier)

Materials:
Solid ash, tone-on-tone aluminum
Dimensions:
W 26" x D 12.5" x H 34"
Colors:
15 shades (see palette)



VICTORIA MAGNIANT

39 - 41 Galerie Vivienne 75002 Paris / www.victoriamagniant.com

FURNITURE AND LIGHTING COLLECTION

info@victoriamagniant.com / +33 (0)1 40 26 28 84