



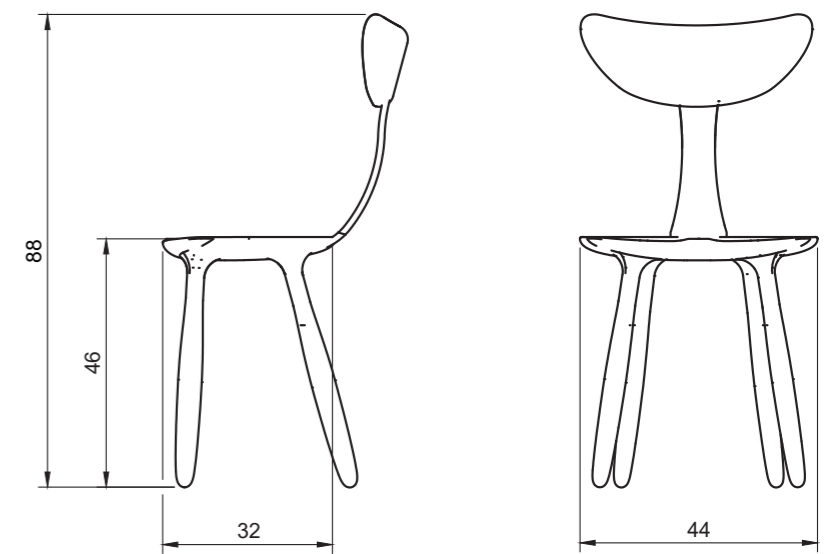
VICTORIA MAGNIANT



#### DAIKU CHAIR

Matériaux:  
Frêne massif, aluminium ton sur ton  
Dimensions:  
L 44 x l 32 x H 88 cm  
Couleurs:  
15 teintes ( voir nuancier )

Materials:  
Solid ash, tone-on-tone aluminum  
Dimensions:  
W 17" x D 12.6" x H 34.5"  
Colors:  
15 shades ( see palette )



VICTORIA MAGNIANT

39 - 41 Galerie Vivienne 75002 Paris / [www.victoriamagniant.com](http://www.victoriamagniant.com)

FURNITURE AND LIGHTING COLLECTION

[info@victoriamagniant.com](mailto:info@victoriamagniant.com) / +33 (0)1 40 26 28 84