



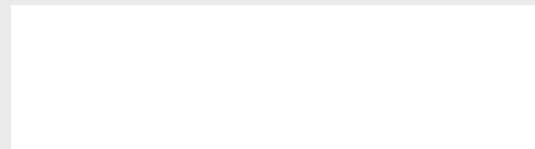
0/+5 WP Positive Tolerance



ROOFTOP AND OFF-GRID DESIGN

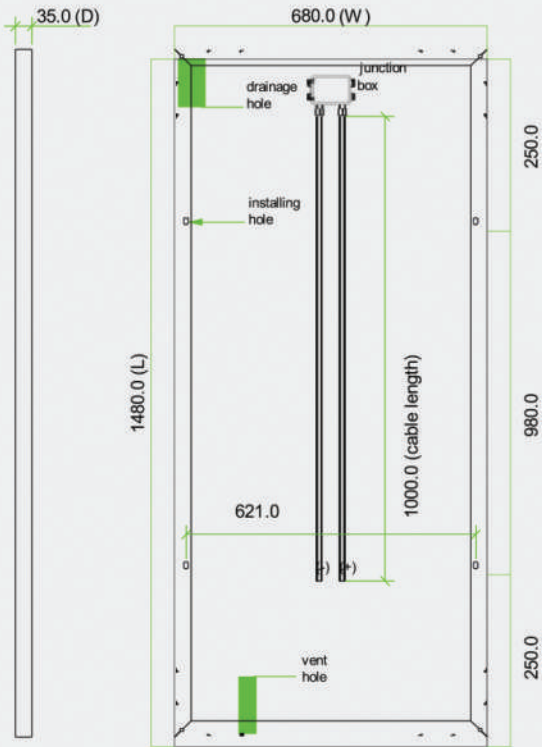


HIGH QUALITY



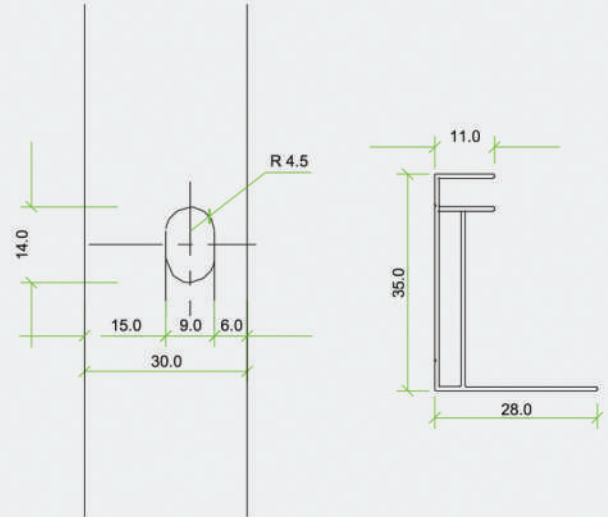
**IEC 61215
IEC 61730**

POLY SERIES 145-160WP



GENERAL CHARACTERISTICS

| | |
|----------------------------|---|
| Cell | Polychrystalline solar cell 156.75 x 156.75 mm |
| No. of Cells (connections) | 36 (4x9) |
| Panel Dimensions | 1480 x 680 x 30 mm |
| Weight | 11 kg |
| Connectors and cable | IP65, 3 bypass diodes 0.9 m cables |



THERMAL CONDITIONS

| | |
|---|------------|
| Normal Operating Cell Temperature 800W/m ² Irradiance, 20°C, AM = 1.5 | 48C ±2°C |
| Power Temperature Coefficient | -0.5%/K |
| Current Temperature Coefficient | 0.035%/K |
| Voltage Temperature Coefficient | -0.37 MV/K |

LIMITS

| | |
|------------------------|---------------|
| Operating Temperature | -40°C to 85°C |
| Maximum System Voltage | 1000V DC |

ELECTRIC PERFORMANCE at STC*

| | 145 Wp | 150 Wp | 155 Wp | 160 Wp |
|-----------------------|---------|---------|---------|---------|
| Maximum Power | 145 Wp | 150 Wp | 155 Wp | 160 Wp |
| Power Tolerance | 0/+5 Wp | 0/+5 Wp | 0/+5 Wp | 0/+5 Wp |
| Maximum Power Voltage | 18 V | 18 V | 18 V | 18.98 V |
| Maximum Power Current | 8.05 A | 8.16 A | 8.34 A | 8.43 A |
| Open Circuit Voltage | 22.6 V | 22.8 V | 22.8 V | 22.87 V |
| Short Circuit Current | 8.72 A | 8.94 A | 9.2 A | 8.99 A |

*Standard Test Conditions: 1000W/m² irradiance, 25°C and AM = 1.5

