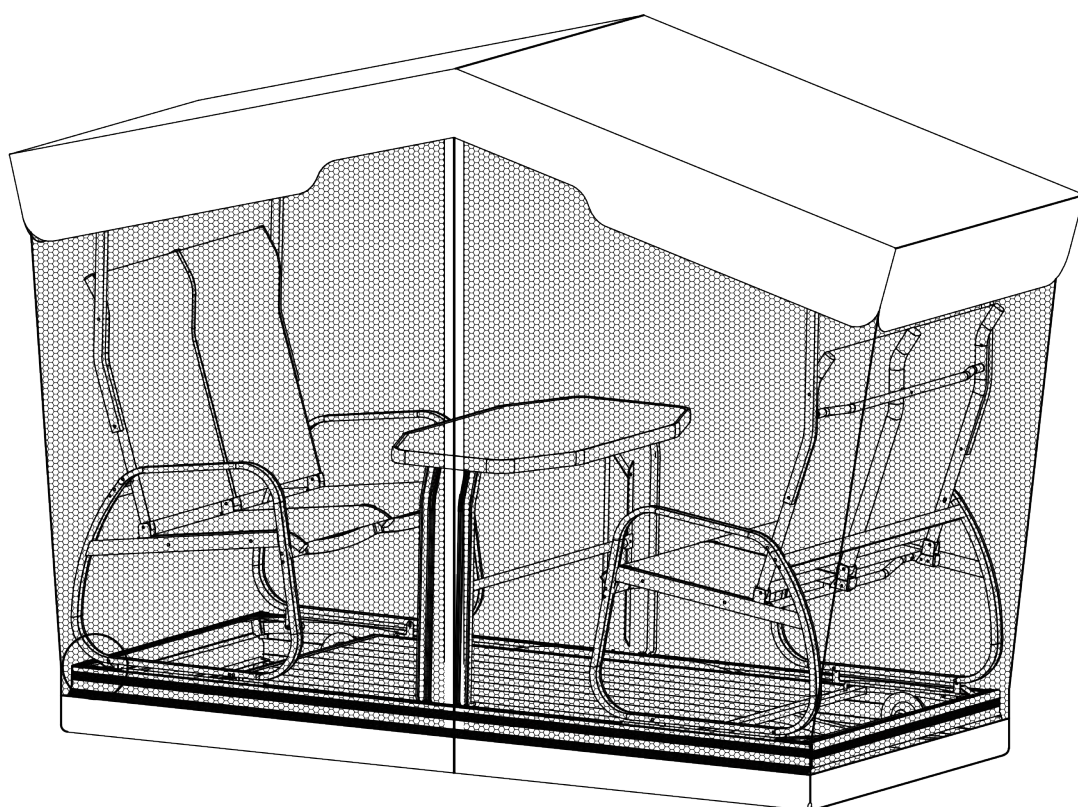




# Outdoor Glider

## ASSEMBLY MANUAL



MODEL# : LYFT0524

Missing part? Damaged? Contact us via email at

[service@domioutdoorliving.com](mailto:service@domioutdoorliving.com)

# **Warnings and Cautions**

*Please retain this instruction for future usage and read carefully before assembly.*

*Make sure you have all the parts & hardware as item list shows.*

**2 adults** are recommended to install your chair.

*Do not discard any of the packaging until you have checked that you have all the parts and pack of fittings.*

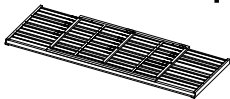
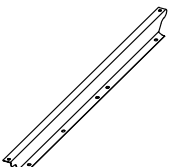
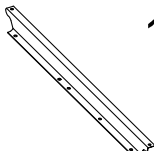
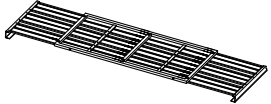
*Check all bolts for tightness before use, and periodically check and tighten bolts ensure your chair works properly.*



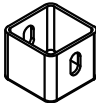

*Some parts might have sharp edges/corners. Please follow basic safety precautions to reduce the risk of hurts.*



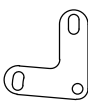

## **CHOKER HAZARD**



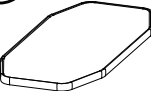


**THIS ITEM CONTAINS SMALL PARTS WHICH CAN BE SWALLOWED BY CHILDREN.**



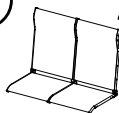


**PLEASE KEEP IT AWAY FROM CHILDREN UNDER 3 YEARS OLD and PETS DURING INSTALLATION.**





<p><b>(A)</b> 1X</p>  <p>Baseboard</p>	<p>2X</p>  <p>Supporting tube</p>	<p><b>(A2)</b> 1X</p>  <p>Supporting tube</p>	<p><b>(A3)</b> 1X</p>  <p>Baseboard</p>
---	--	---	--


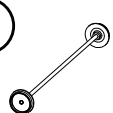


<p><b>(B)</b> 2X</p>  <p>Base support tube</p>	<p><b>(C)</b> 2X</p>  <p>Base support tube</p>	<p><b>(D)</b> 4X</p>  <p>Plastic sleeve</p>	<p><b>(E)</b> 2X</p>  <p>Aluminum base frame</p>
---	---	---	---


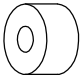


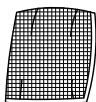
<p><b>(F)</b> 1X</p>  <p>Aluminum base frame</p>	<p><b>(F1)</b> 1X</p>  <p>Aluminum base frame</p>	<p><b>(G)</b> 8X</p>  <p>Steel triangle bracket</p>	<p><b>(G1)</b> 8X</p>  <p>Plastic triangle bracket</p>
---	--	---	---

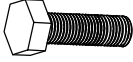
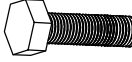
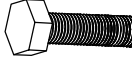
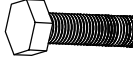
<p><b>(H)</b> 2X</p>  <p>Table Leg</p>	<p><b>(I)</b> 1X</p>  <p>Table support tube</p>	<p><b>(J)</b> 1X</p>  <p>Table top</p>	<p><b>(K)</b> 2X</p>  <p>Arm</p>	<p><b>(K1)</b> 2X</p>  <p>Arm</p>
--	--	--	--	---





<p><b>(L)</b> 2X</p>  <p>Chair support tube</p>	<p><b>(M)</b> 2X</p>  <p>Chair support tube</p>	<p><b>(N)</b> 2X</p>  <p>Chair</p>	<p><b>(O)</b> 2X</p>  <p>Support arm</p>	<p><b>(O1)</b> 2X</p>  <p>Support arm</p>
--	--	---	---	--




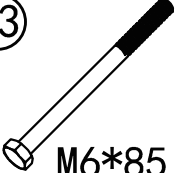
<p><b>(P)</b> 1X</p>  <p>Roof connect tube</p>	<p><b>(Q)</b> 2X</p>  <p>Roof connect tube</p>	<p><b>(Q1)</b> 4X</p>  <p>Steel bracket</p>	<p><b>(R)</b> 4X</p>  <p>Roof connect tube</p>
---	---	---	---



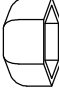
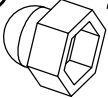
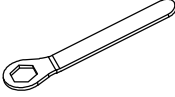
<p><b>(S)</b> 4X</p>  <p>Roof support tube</p>	<p><b>(T)</b> 2X</p>  <p>Connecting rod roller</p>	<p><b>(U)</b> 1X</p>  <p>Canopy</p>	<p><b>(V)</b> 132X</p>  <p>Steel flat washer</p>
---	---	---	---

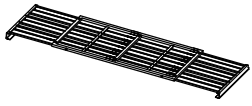
<p><b>(W)</b> 2X</p>  <p>Plastic pipe</p>	<p><b>(X)</b> 12X</p>  <p>Plastic pipe</p>	<p><b>(Y)</b> 4X</p>  <p>Rubber pipe</p>	<p><b>(Z)</b> 17X</p>  <p>Steel flat washer</p>	<p><b>(U1)</b> 2X</p>  <p>Netting</p>
--	---	---	--	--

<p>① 39X</p>  <p>M6*16</p>	<p>② 12X</p>  <p>M6*20</p>	<p>③ 8X</p>  <p>M6*30</p>	<p>④ 8X</p>  <p>M6*35</p>
---	---	---	--

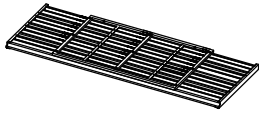
<p>⑤ 4X</p>  <p>M6*40</p>	<p>⑥ 20X</p>  <p>M6*45</p>	<p>⑦ 2X</p>  <p>M6*50</p>	<p>⑧ 4X</p>  <p>M6*55</p>
--	---	--	--

<p>⑨ 8X</p>  <p>M6*60</p>	<p>⑩ 8X</p>  <p>M6*65</p>	<p>⑪ 2X</p>  <p>M6*70</p>	<p>⑬ 4X</p>  <p>M6*85</p>
--	--	---	--

<p>⑰ 72X</p>  <p>Steel nut</p>	<p>⑱ 16X</p>  <p>M6*70</p>	<p>⑳ 135X</p>  <p>M6 Plastic cap</p>	<p>㉑ 76X</p>  <p>M6 Plastic cap</p>	<p>㉒ 2X</p> 
---	---	--	---	---



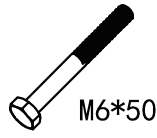
(A3) 1X



(A) 1X



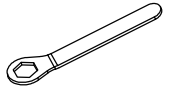
(Z) 2X



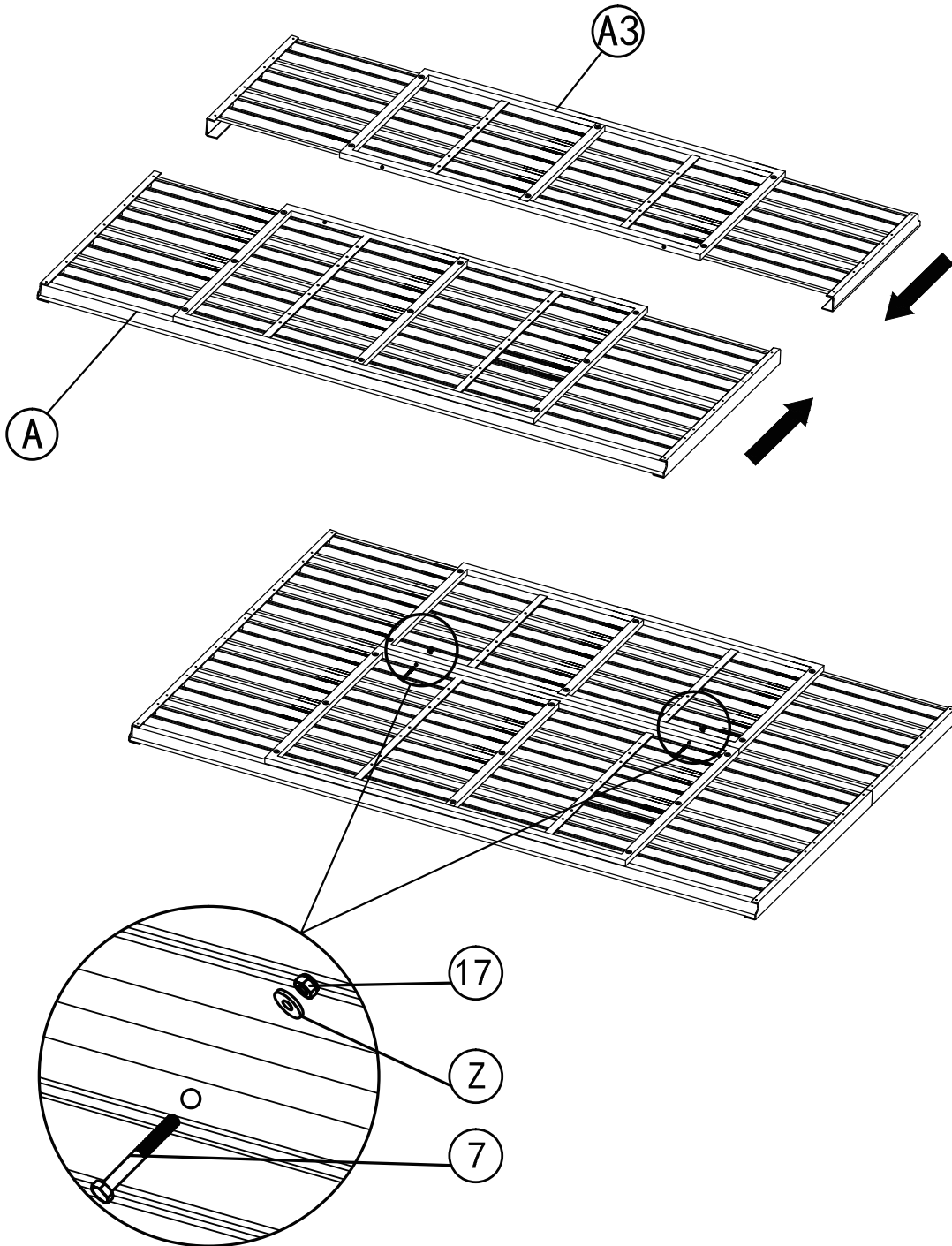
(7) 2X



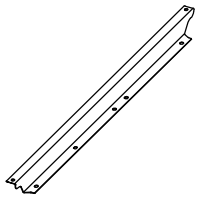
(17) 2X



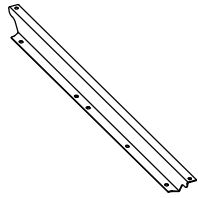
(22) 2X



Connect baseboard A and A3 using bolt 7, steel flat washer Z and nut 17.



(A1) 2X



(A2) 1X

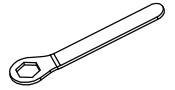


M6\*16

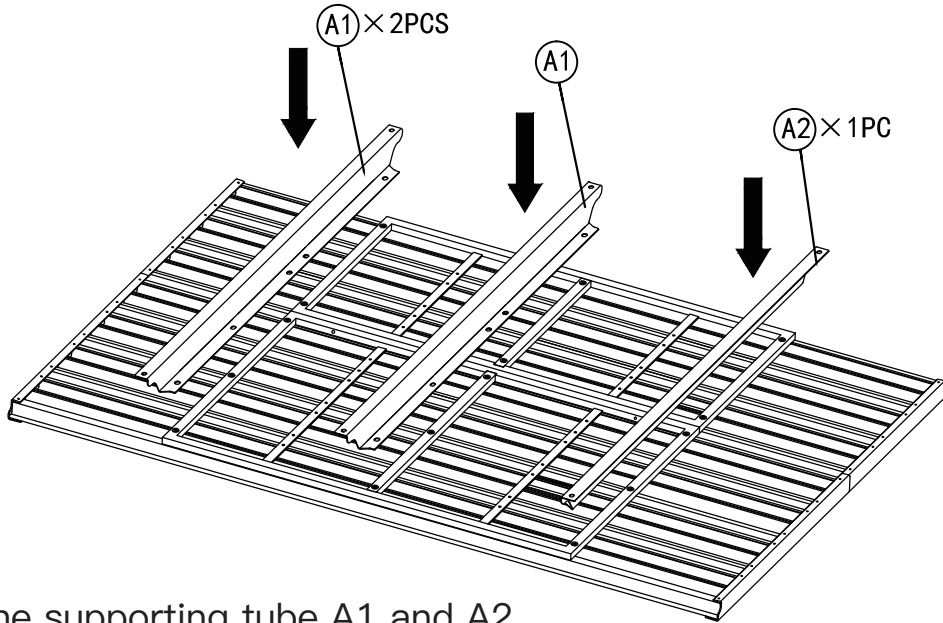
(1) 15X



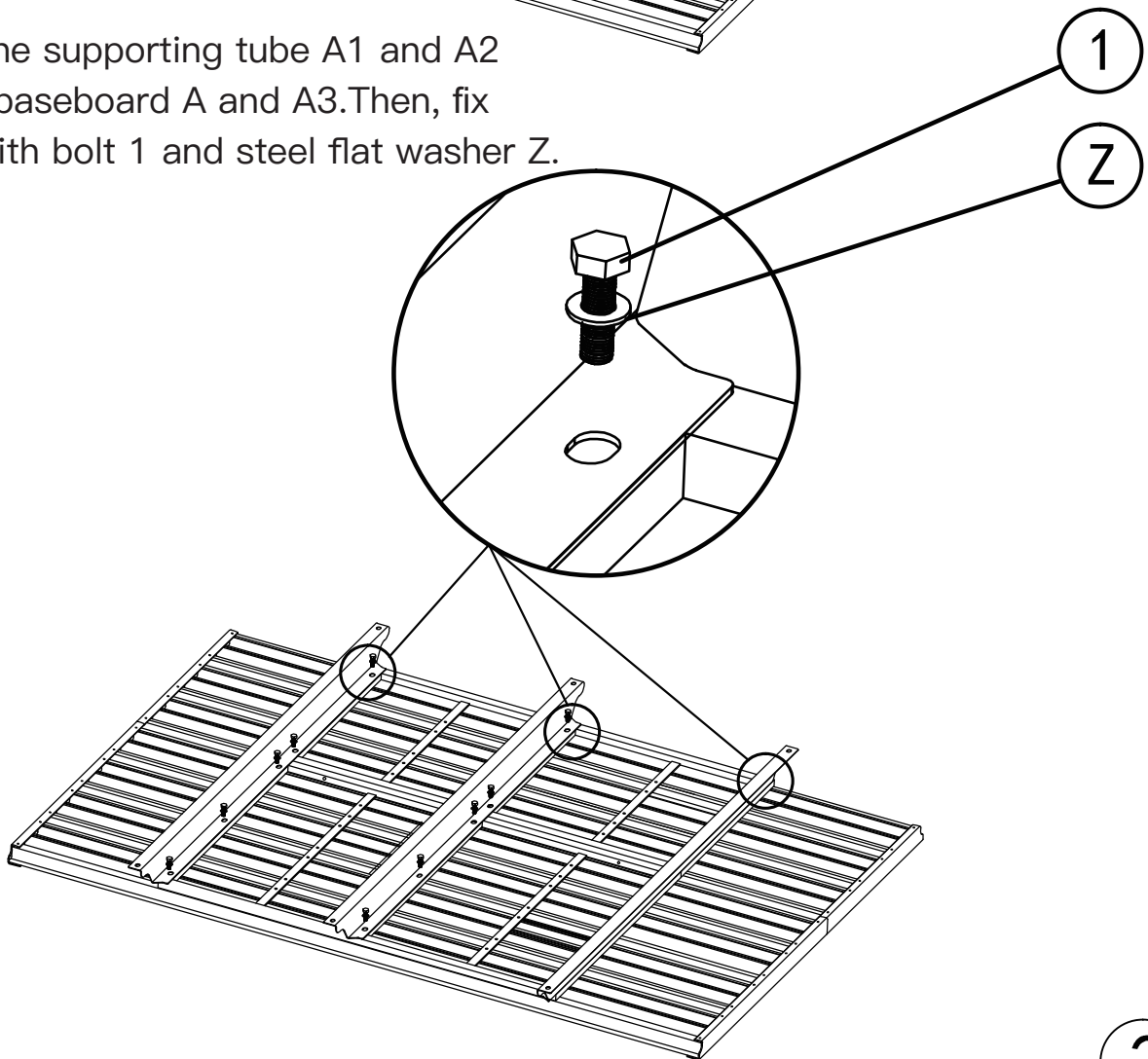
(Z) 15X



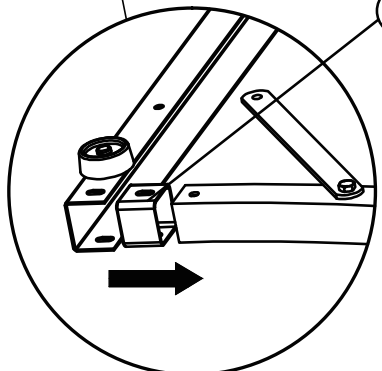
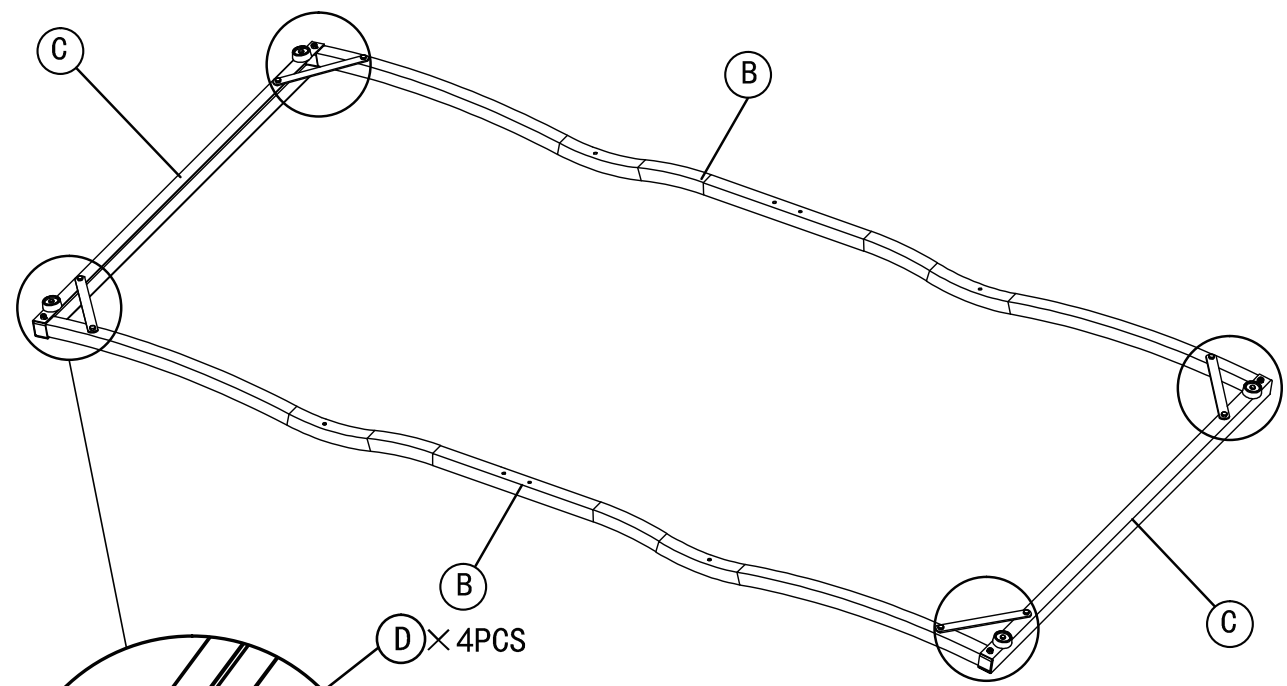
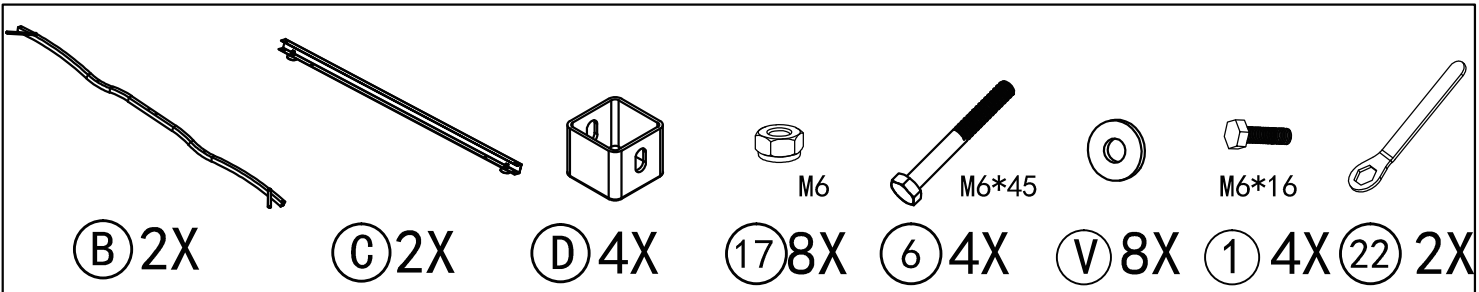
(22) 1X



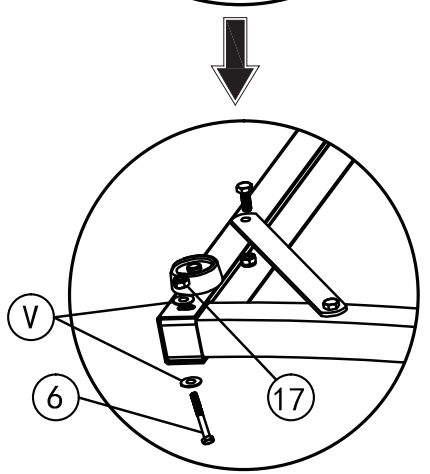
Place the supporting tube A1 and A2 on the baseboard A and A3. Then, fix them with bolt 1 and steel flat washer Z.



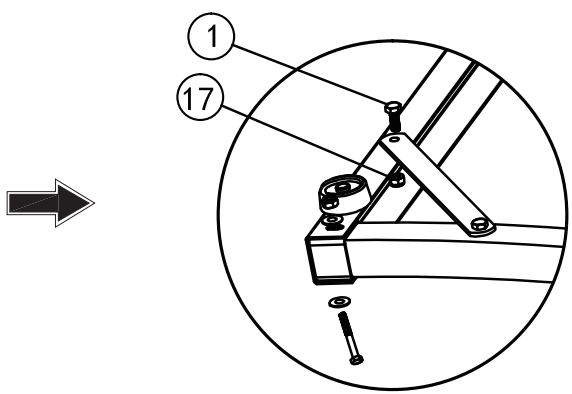
(2)



(1) Connect base support tube B with plastic sleeve D and insert them into base support tube C.

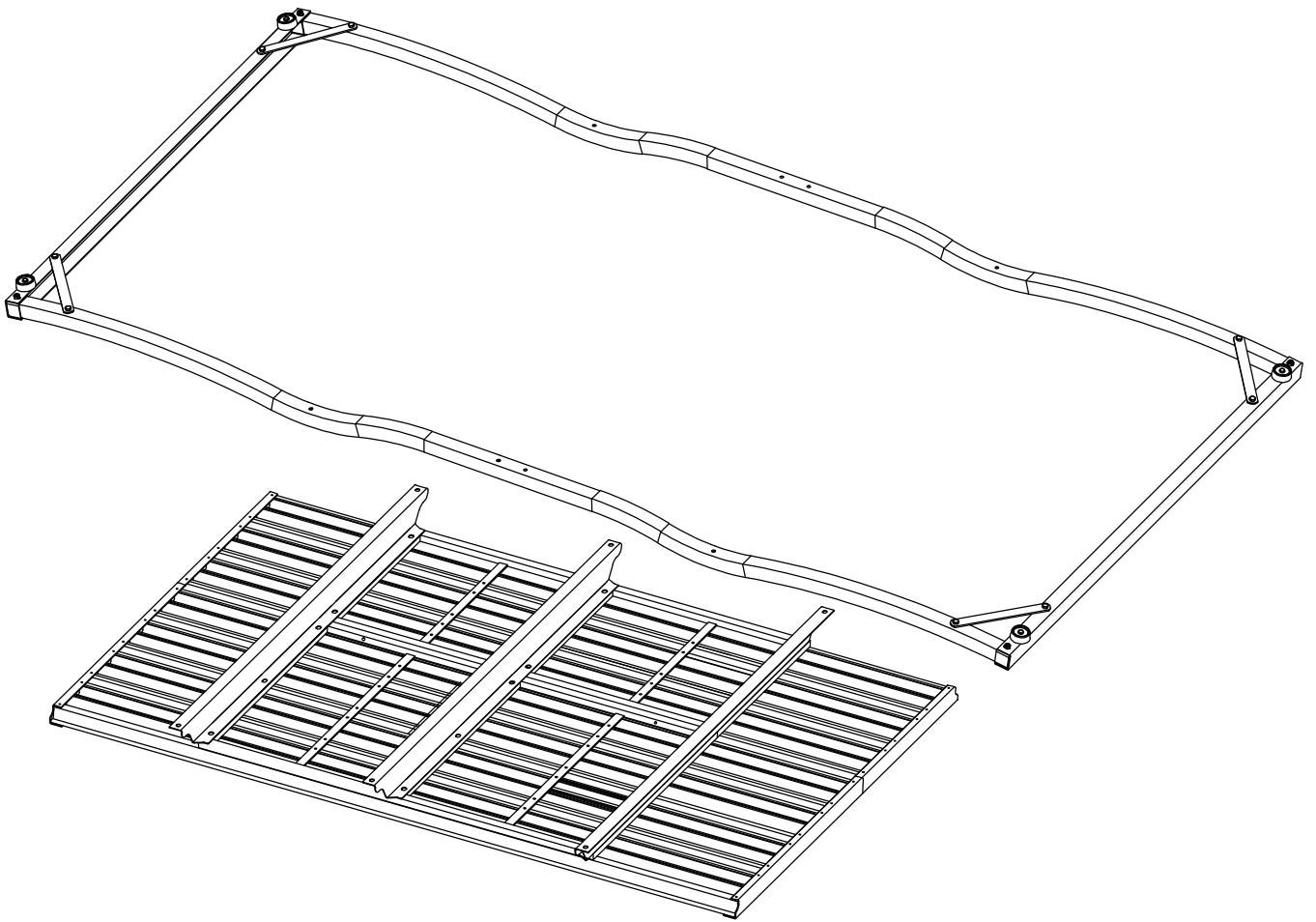


(2) Fix the connection of base support tube B, plastic sleeve D and base support tube C with steel flat washer V, bolt 6 and nut 17.

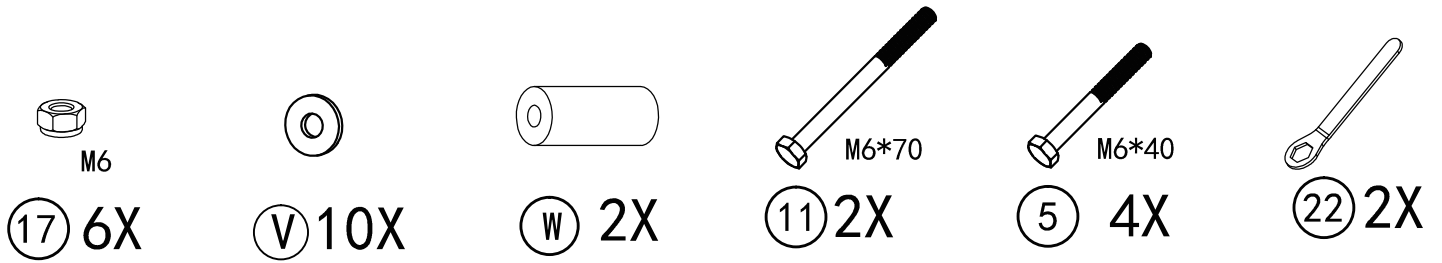


(3) Fix base support tube B and base support tube C with bolt 1 and nut 17.



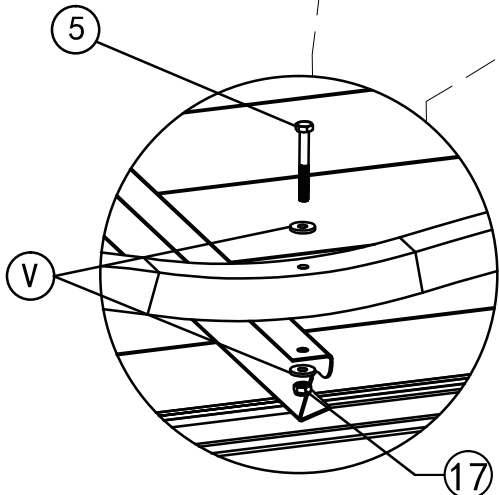
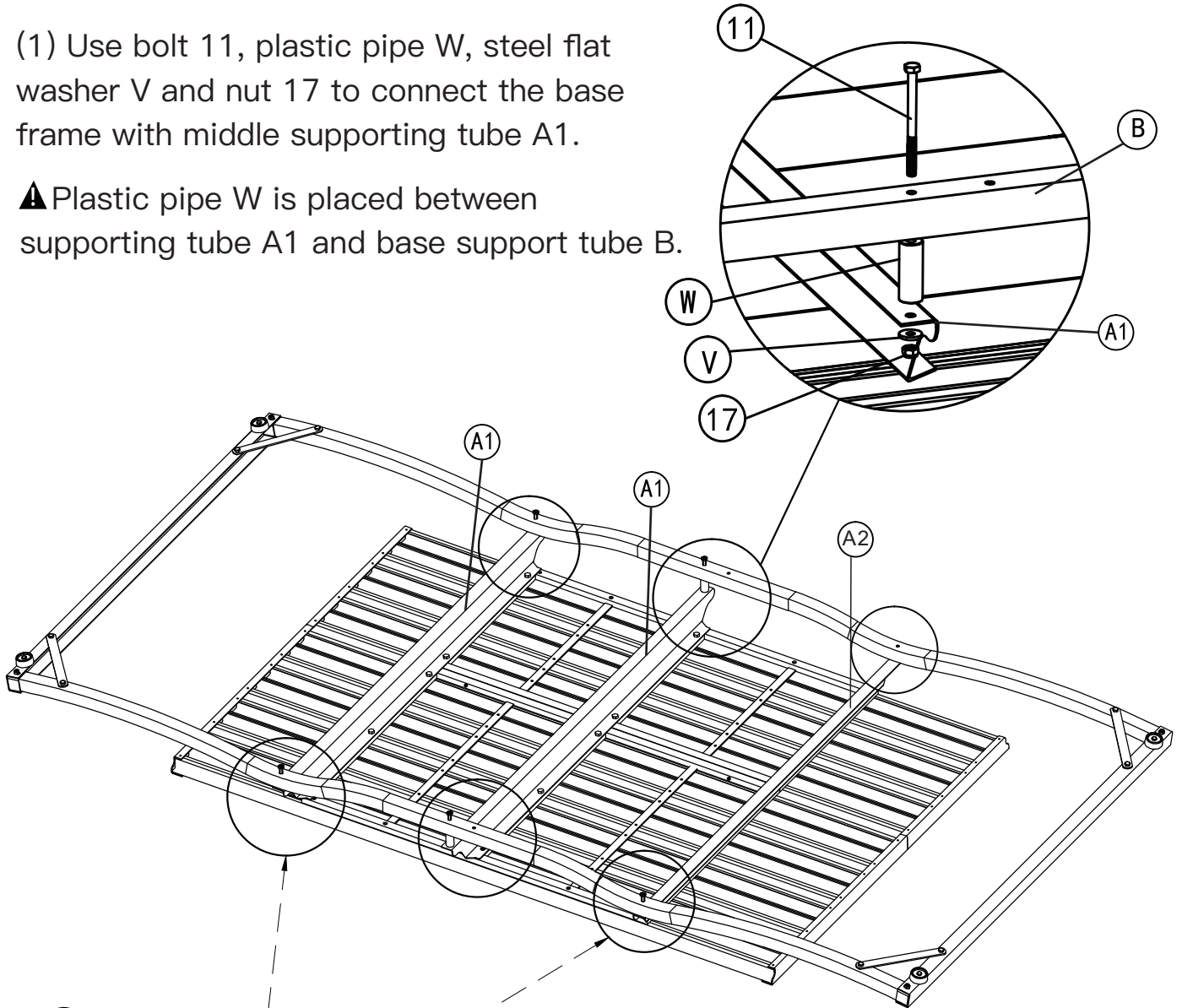




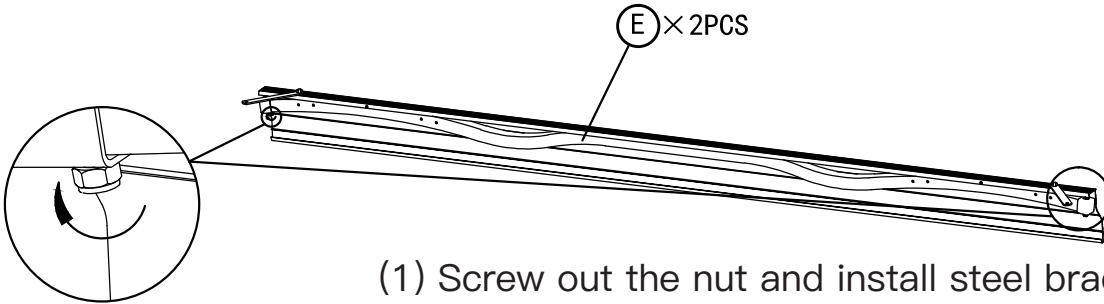
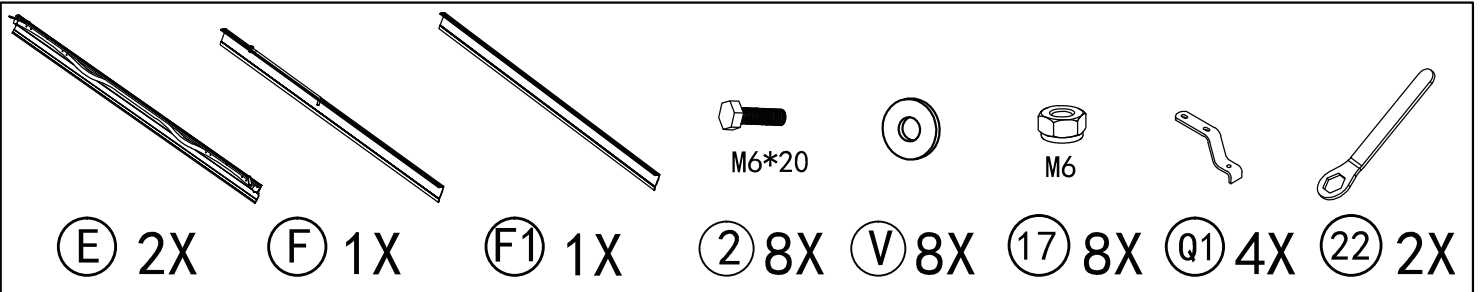


(1) Use bolt 11, plastic pipe W, steel flat washer V and nut 17 to connect the base frame with middle supporting tube A1.

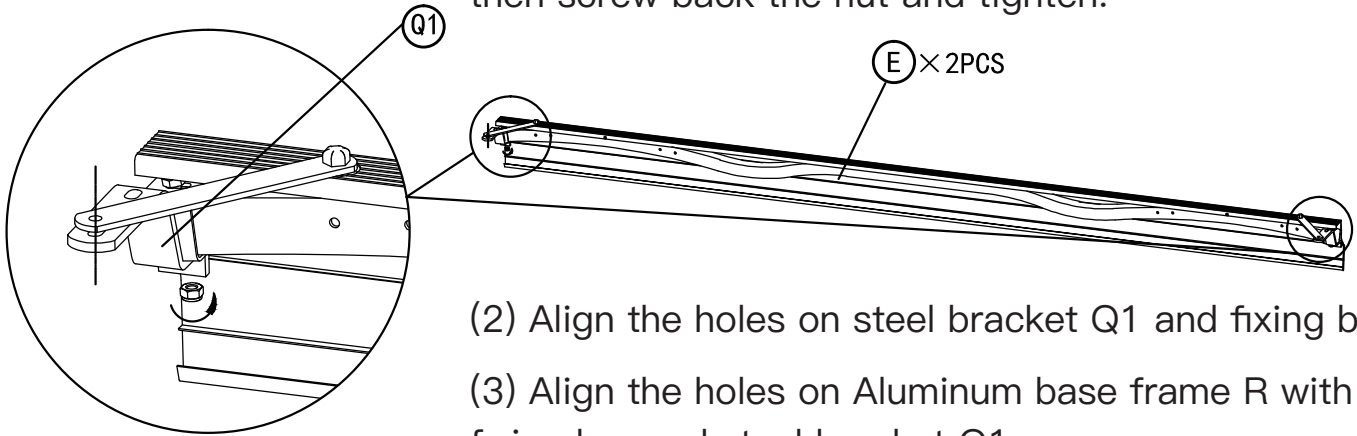
▲ Plastic pipe W is placed between supporting tube A1 and base support tube B.



(2) Use bolt 5, steel flat washer V, nut 17 to connect the base frame to the supporting tube A1 and A2 .



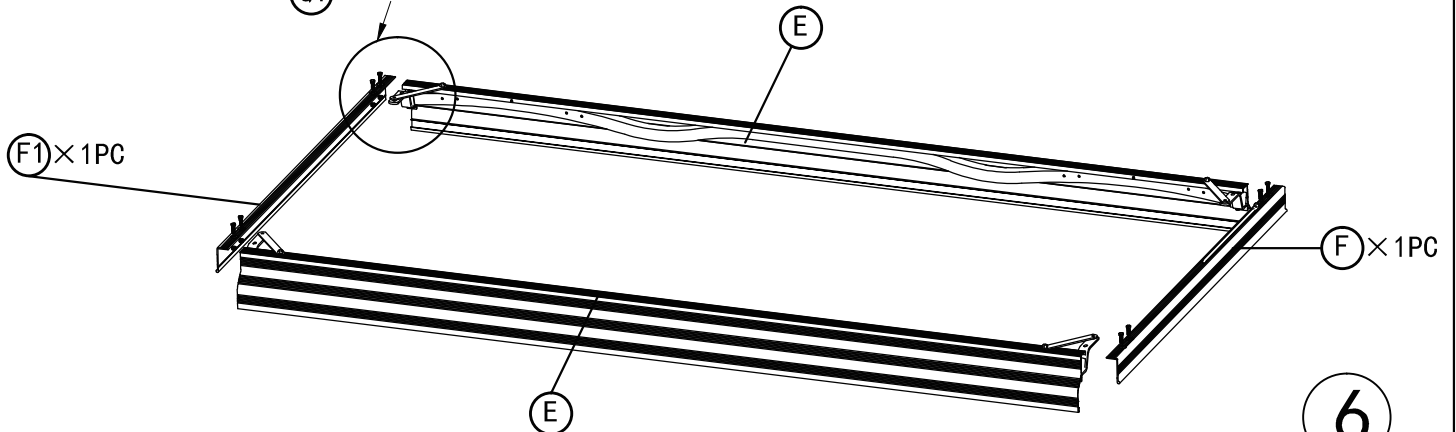
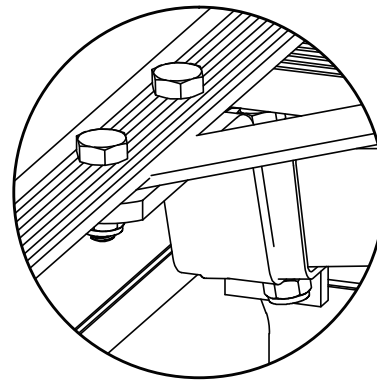
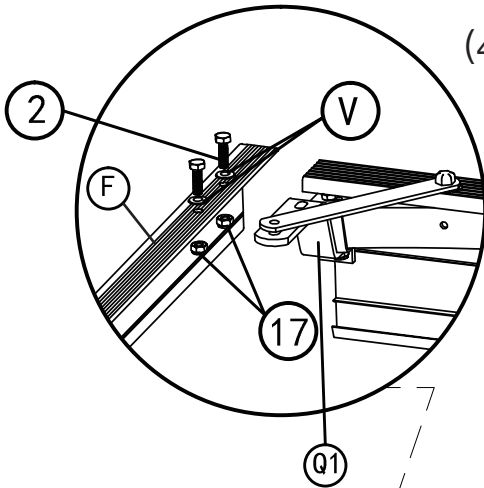
(1) Screw out the nut and install steel bracket Q1, then screw back the nut and tighten.

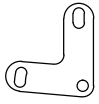


(2) Align the holes on steel bracket Q1 and fixing bar.

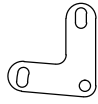
(3) Align the holes on Aluminum base frame R with fixing bar and steel bracket Q1.

(4) Screw them with bolt 2 and nut 17.





ⓐ 8X



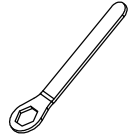
ⓐ1 8X



ⓑ 16X



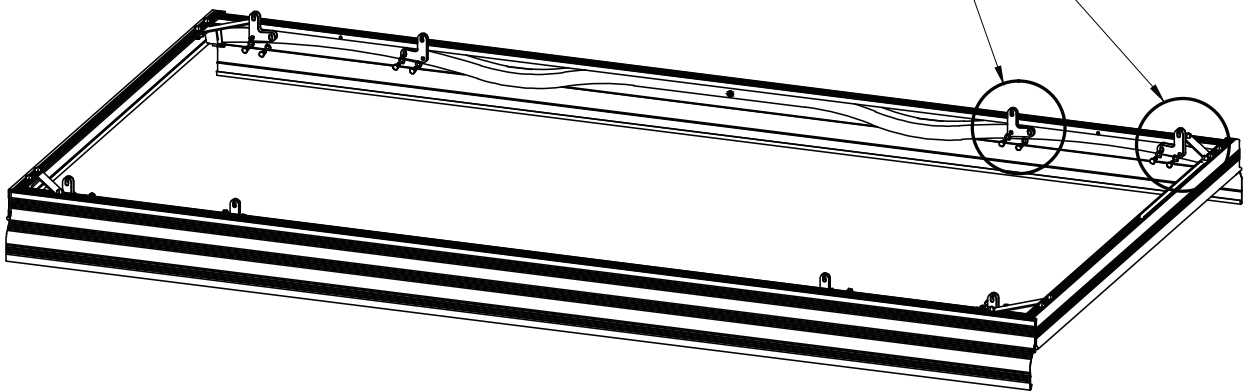
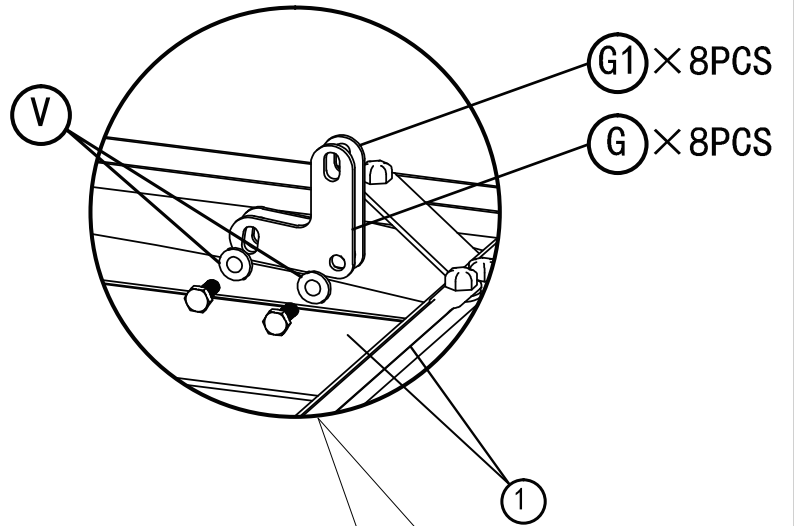
ⓑ 16X



Ⓒ 1X

Attach steel and plastic triangle bracket together.  
Fix them on Aluminum base frame F with bolt 1  
and steel flat washer V.

▲ G1: Plastic triangle bracket  
G: Steel triangle bracket.





(H) 2X



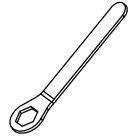
(8) 4X



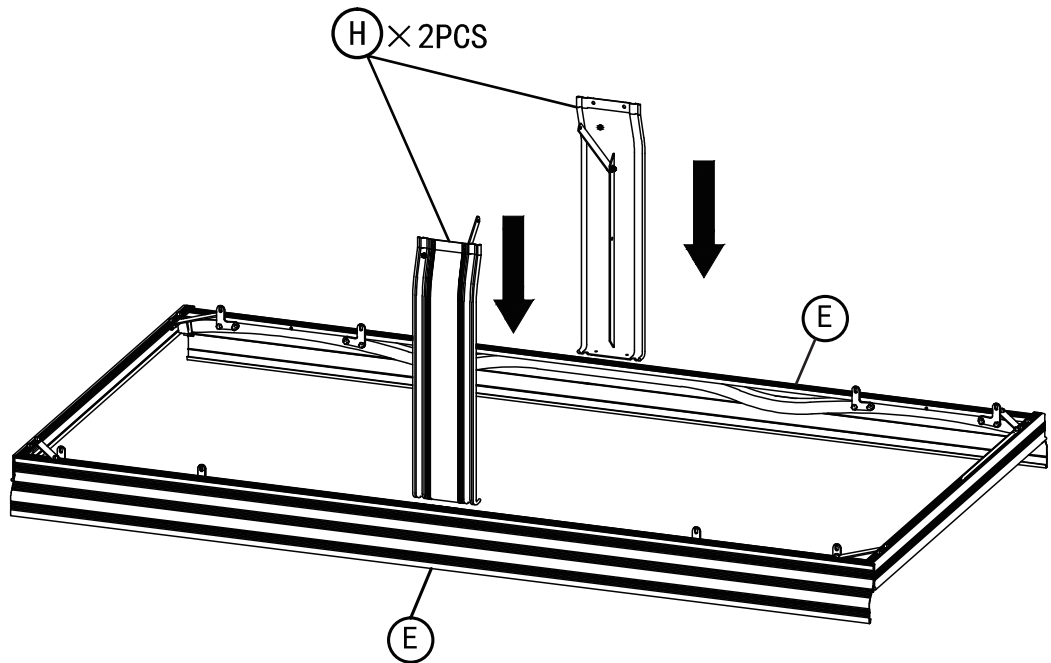
(V) 8X



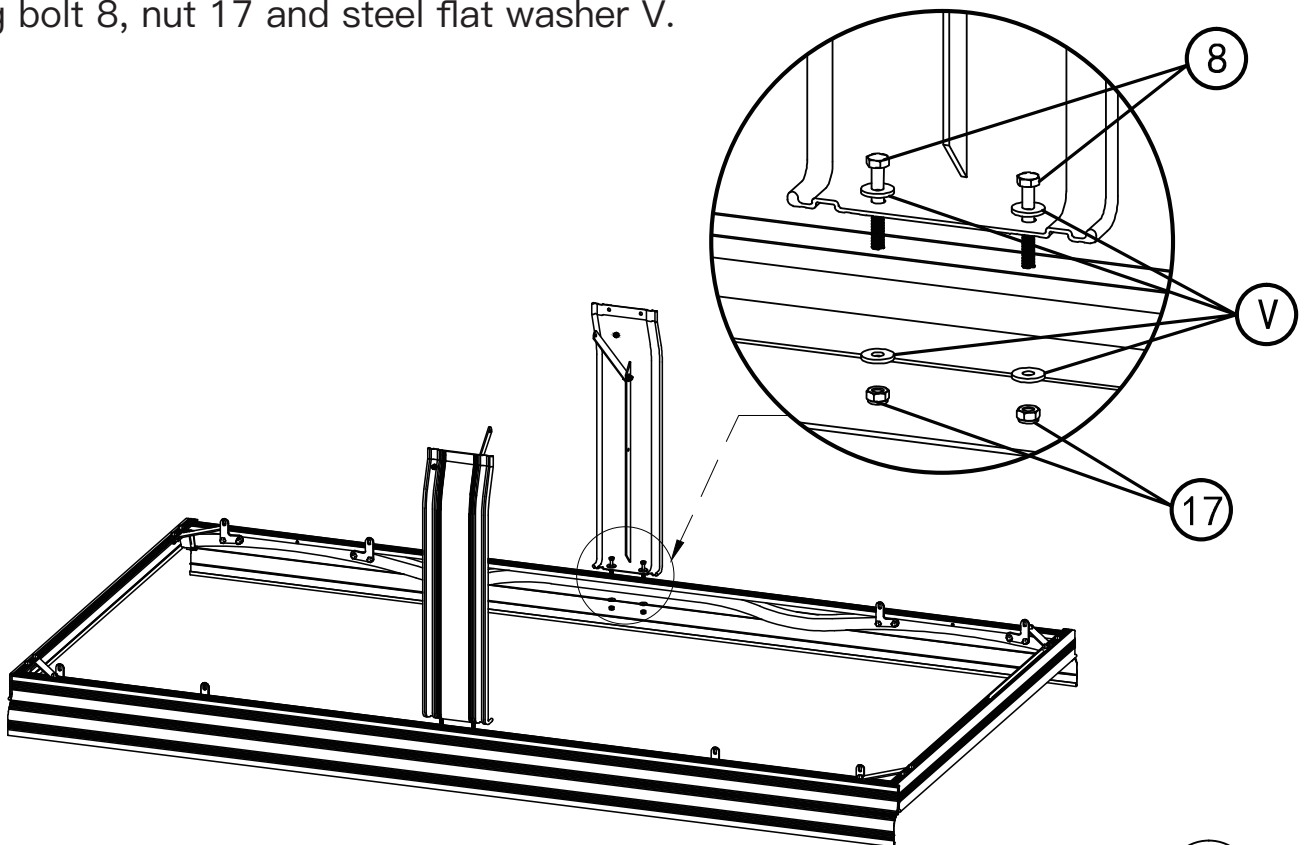
(17) 4X



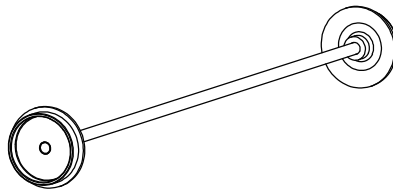
(22) 2X



Assemble table legs H on Aluminum base frame E using bolt 8, nut 17 and steel flat washer V.



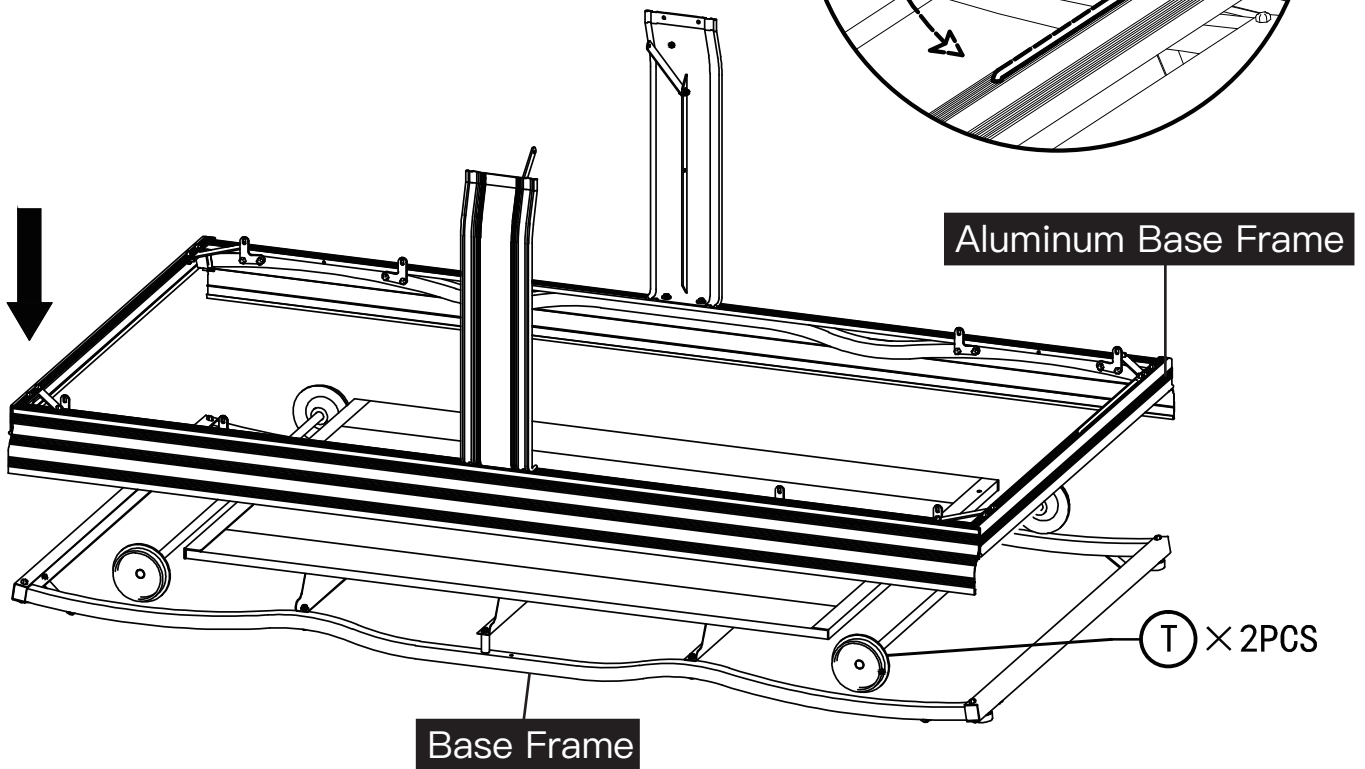
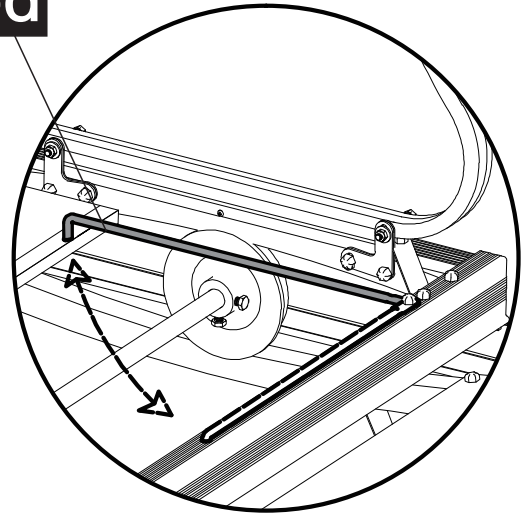
(8)



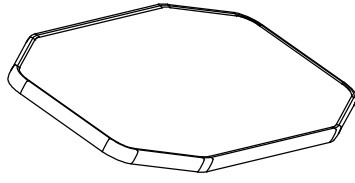
Ⓣ 2X

## Brake rod

⚠ The brake rod can be turned to stop the connecting rod roller T from rolling.



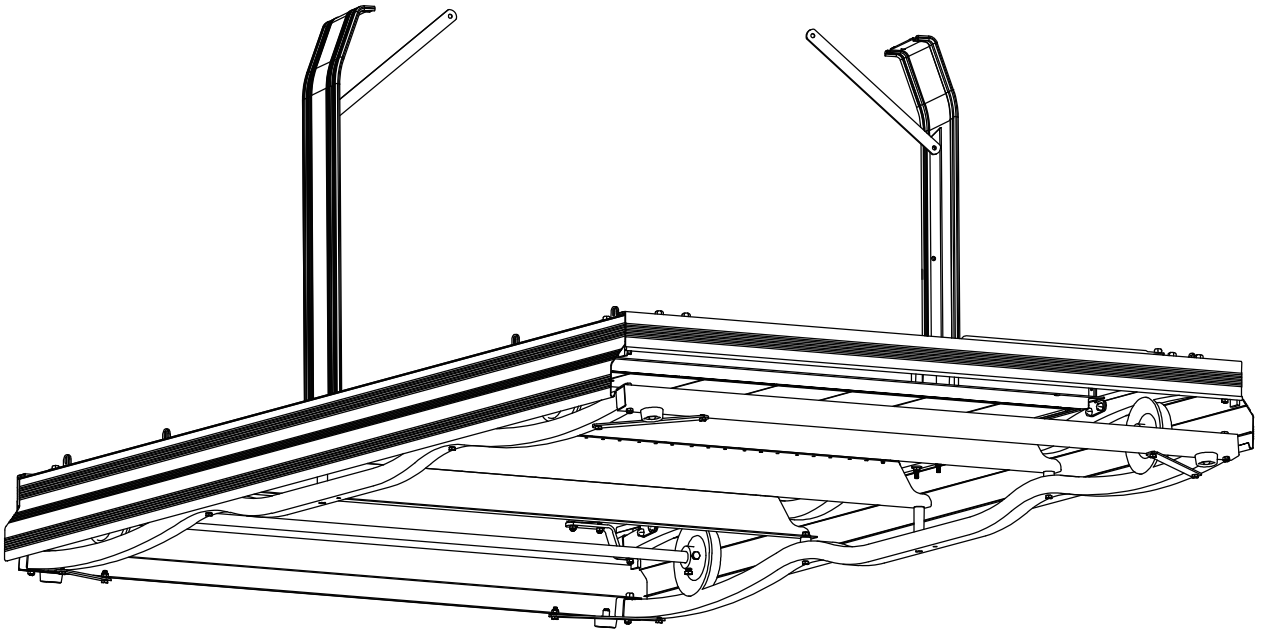
Place the connecting rod roller 7 onto the base frame, then put the aluminum base frame on the top.

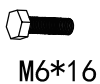


ⓐ 1X



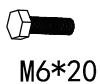
ⓐ × 1PC





M6\*16

① 4X



M6\*20

② 2X

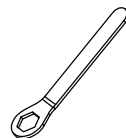


Ⓥ 8X



M6

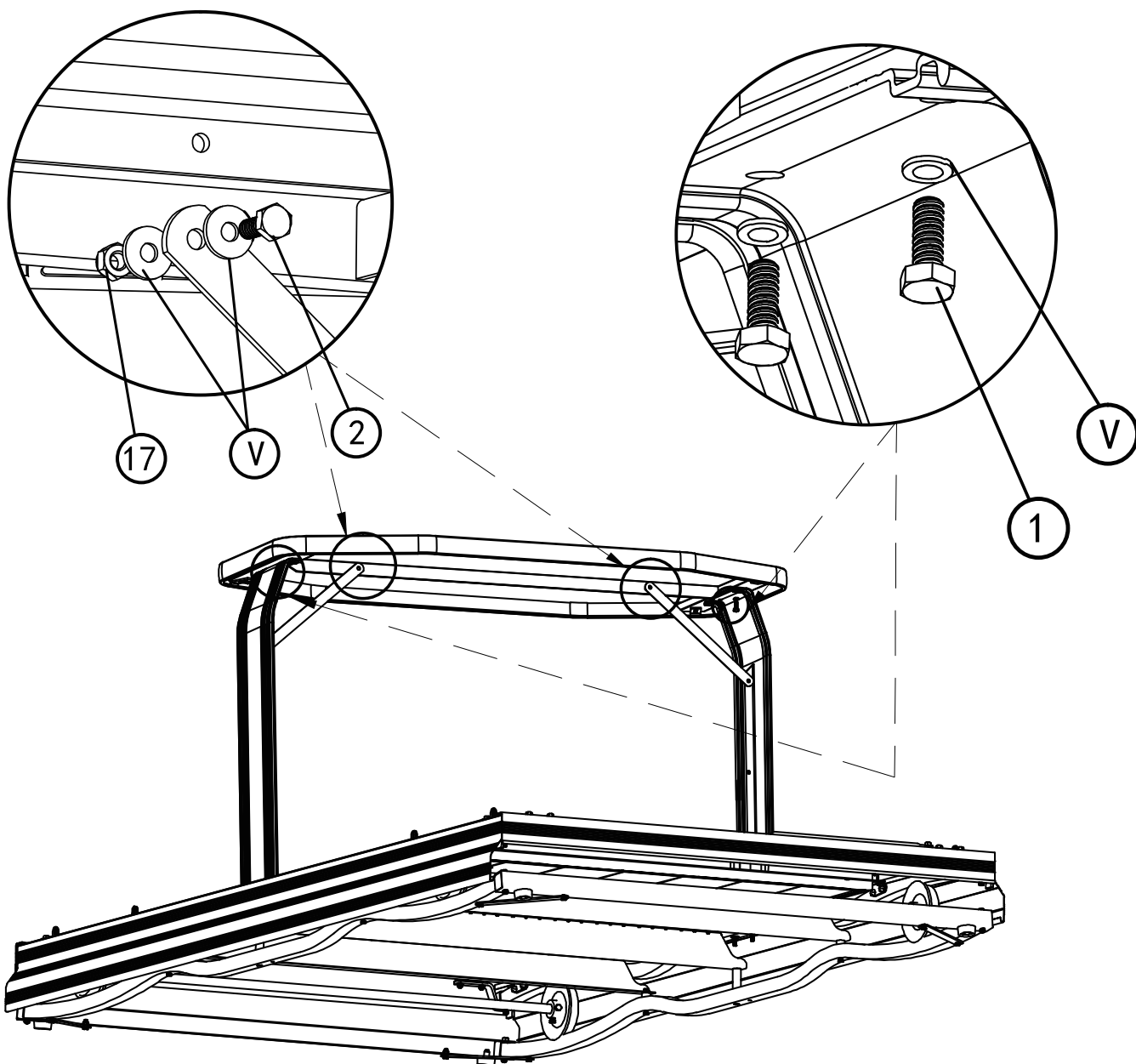
⑰ 2X



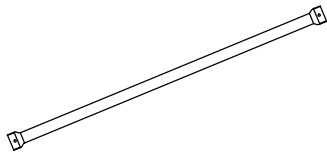
⑳ 2X

(1) Install the table J onto the table legs H. Screw the table and fixing bar with steel flat washer V, bolt 2 and nut 17.

(2) Connect the table with table legs with bolt 1 and steel flat washer V.







ⓐ 1X



M6\*20

ⓑ 2X

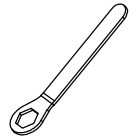


ⓓ 4X



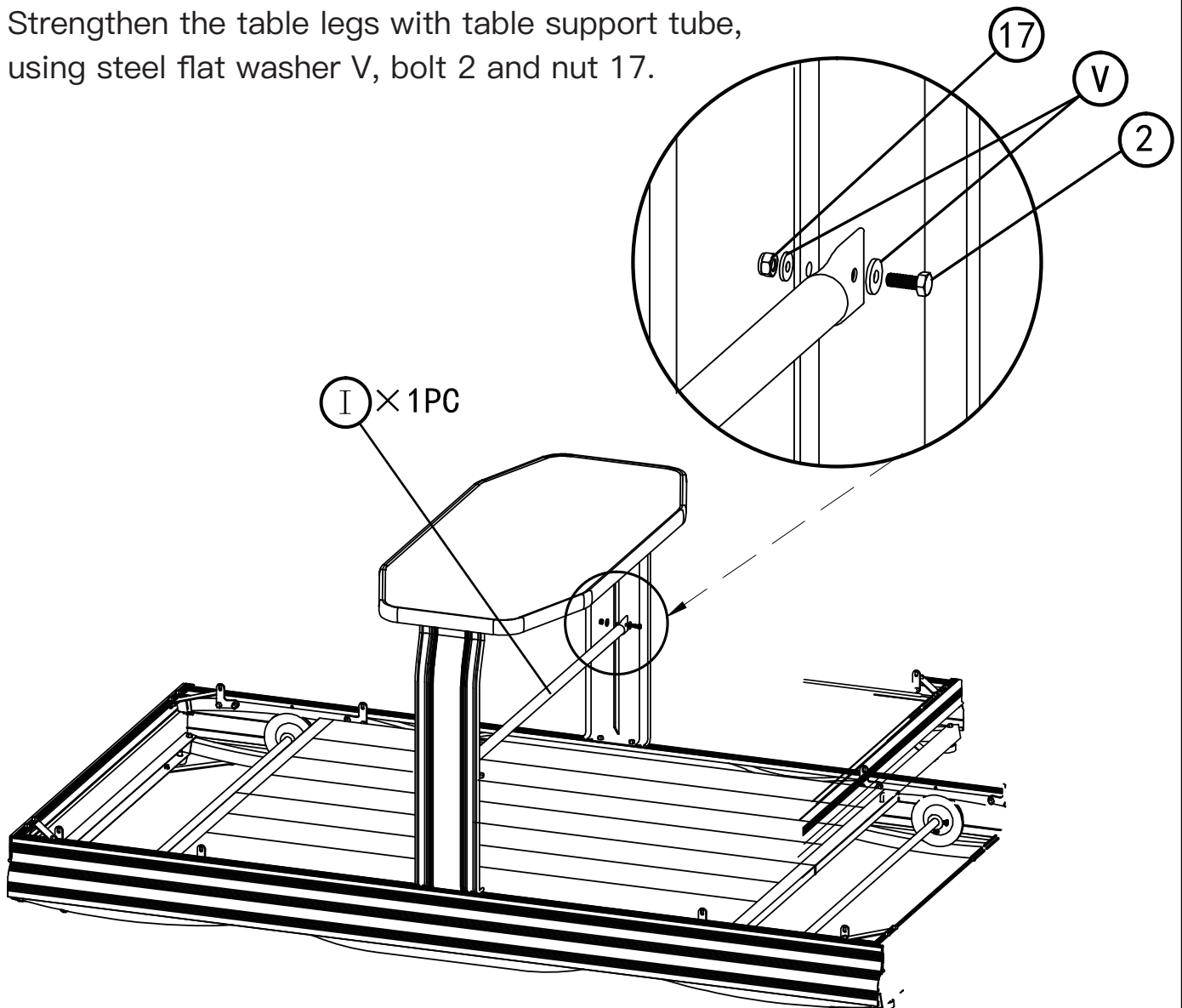
M6

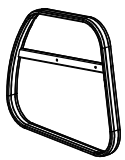
ⓑ 2X



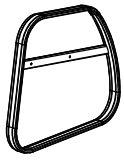
ⓓ 2X

Strengthen the table legs with table support tube,  
using steel flat washer V, bolt 2 and nut 17.





(K) 2X



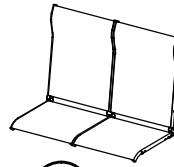
(K1) 2X



(L) 2X



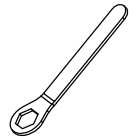
(M) 2X



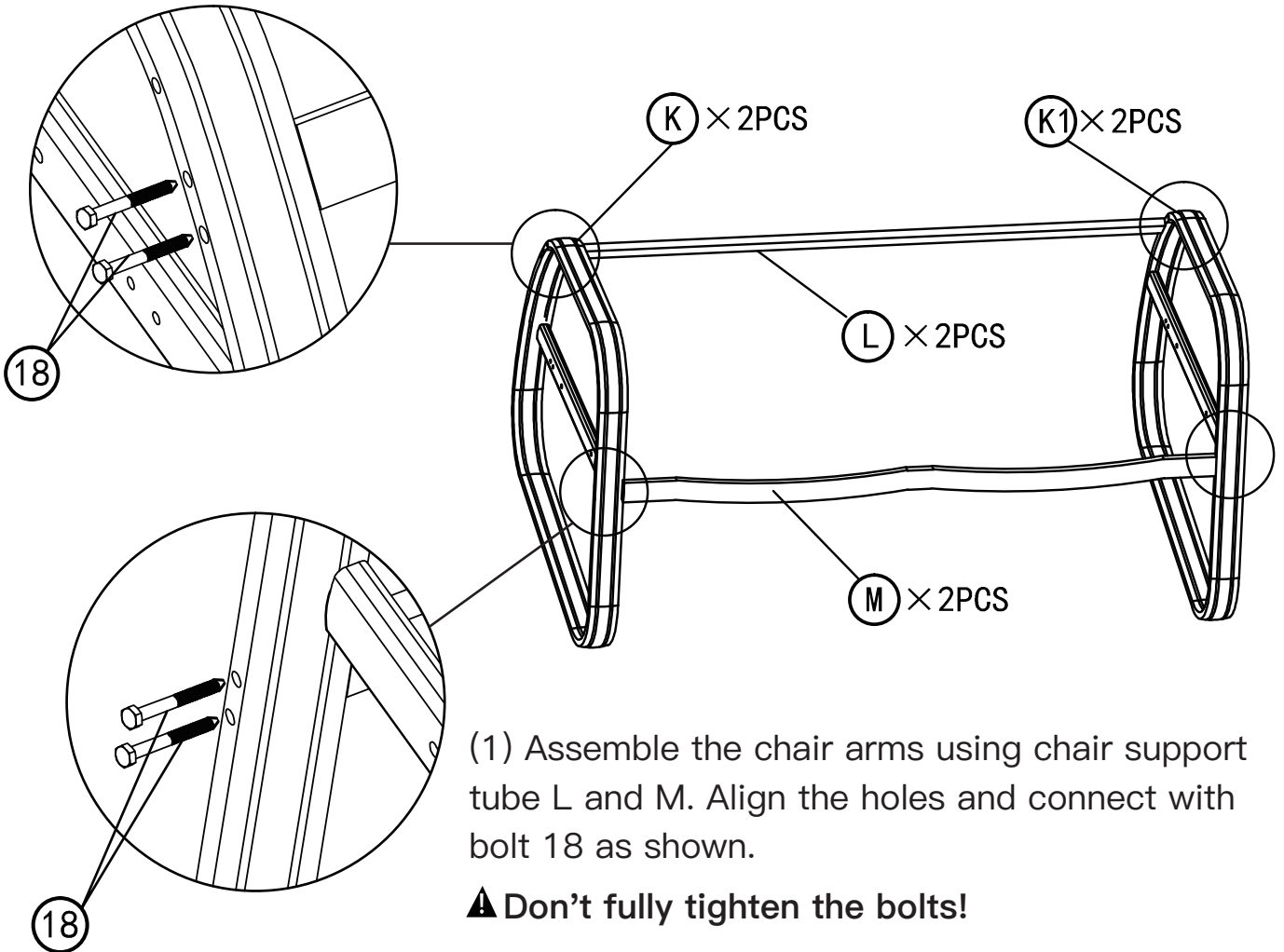
(N) 2X



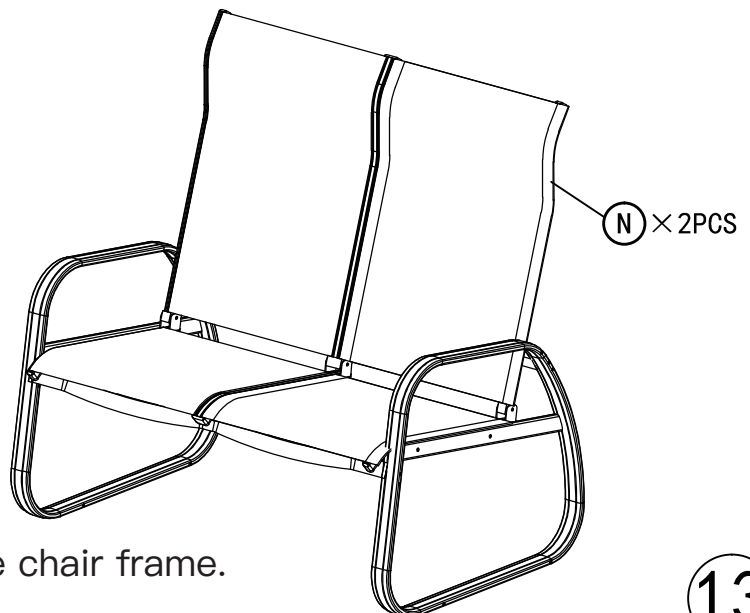
(18) 16X



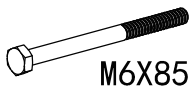
(22) 1X



(2) Place the chairs N onto the chair frame.



(13)



M6X85



V 10X

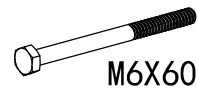


M6

17 12X

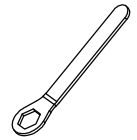


X 12X

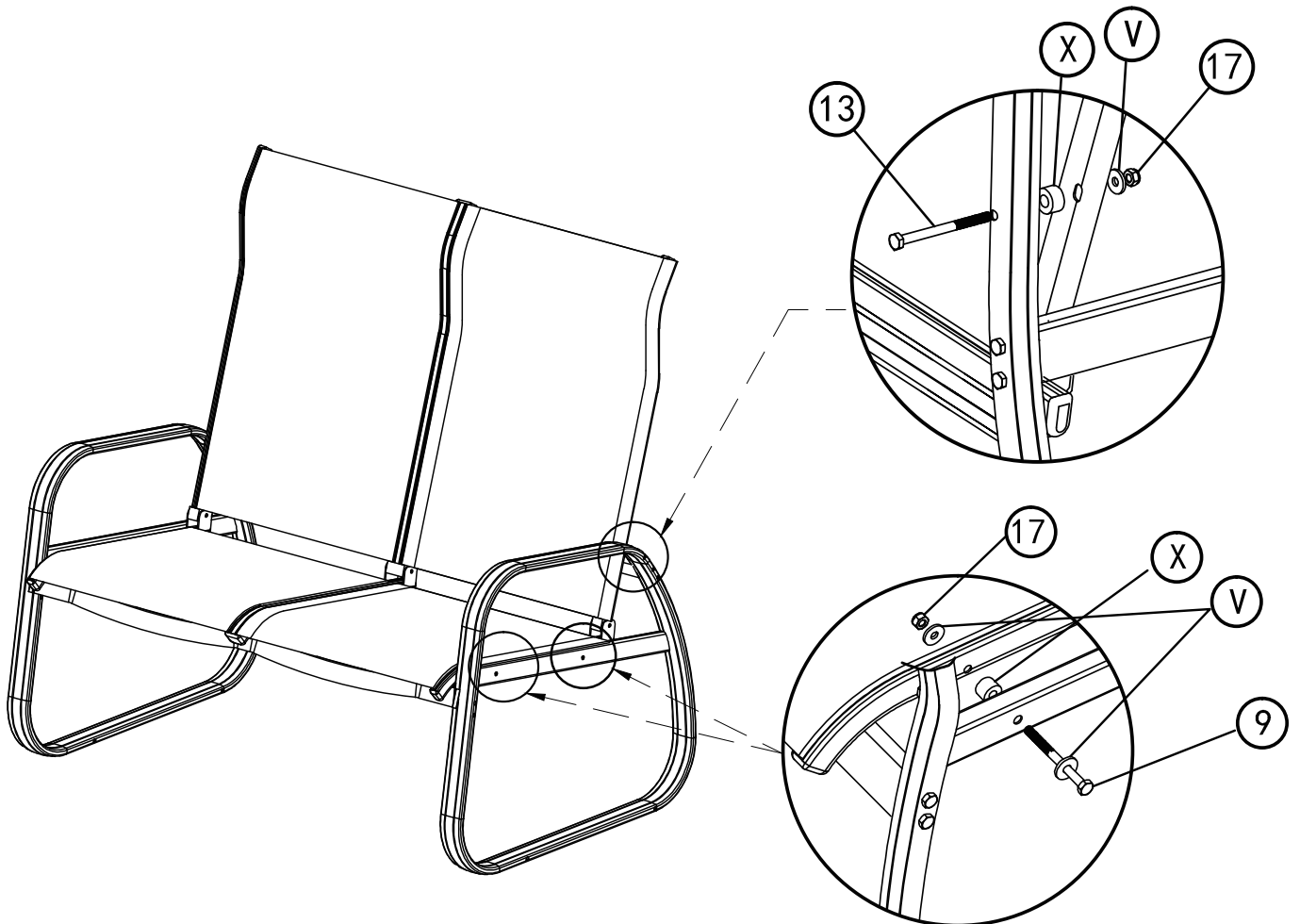


M6X60

9 8X



22 2X

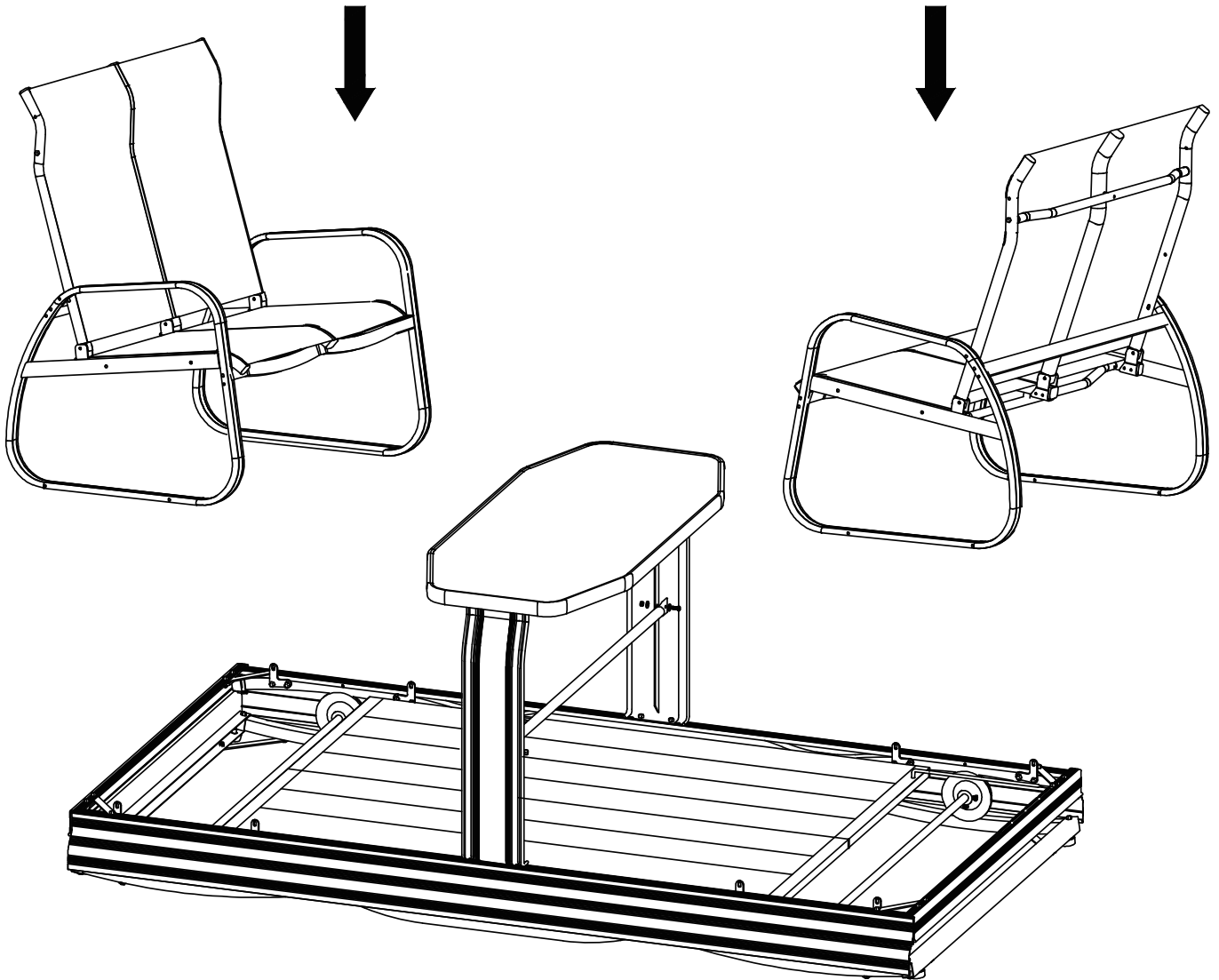


Fix the chair and chair frame with plastic pipe X, steel flat washer V, bolt 9&13 and nut 17.

▲ Plastic pipe X is between the chair and arm.

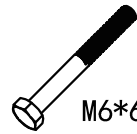
▲ Don't fully tighten the bolts!

Tighten the bolts on the chairs,  
then put the chairs onto the aluminum base frame.

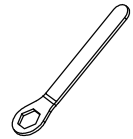




M6



M6\*65



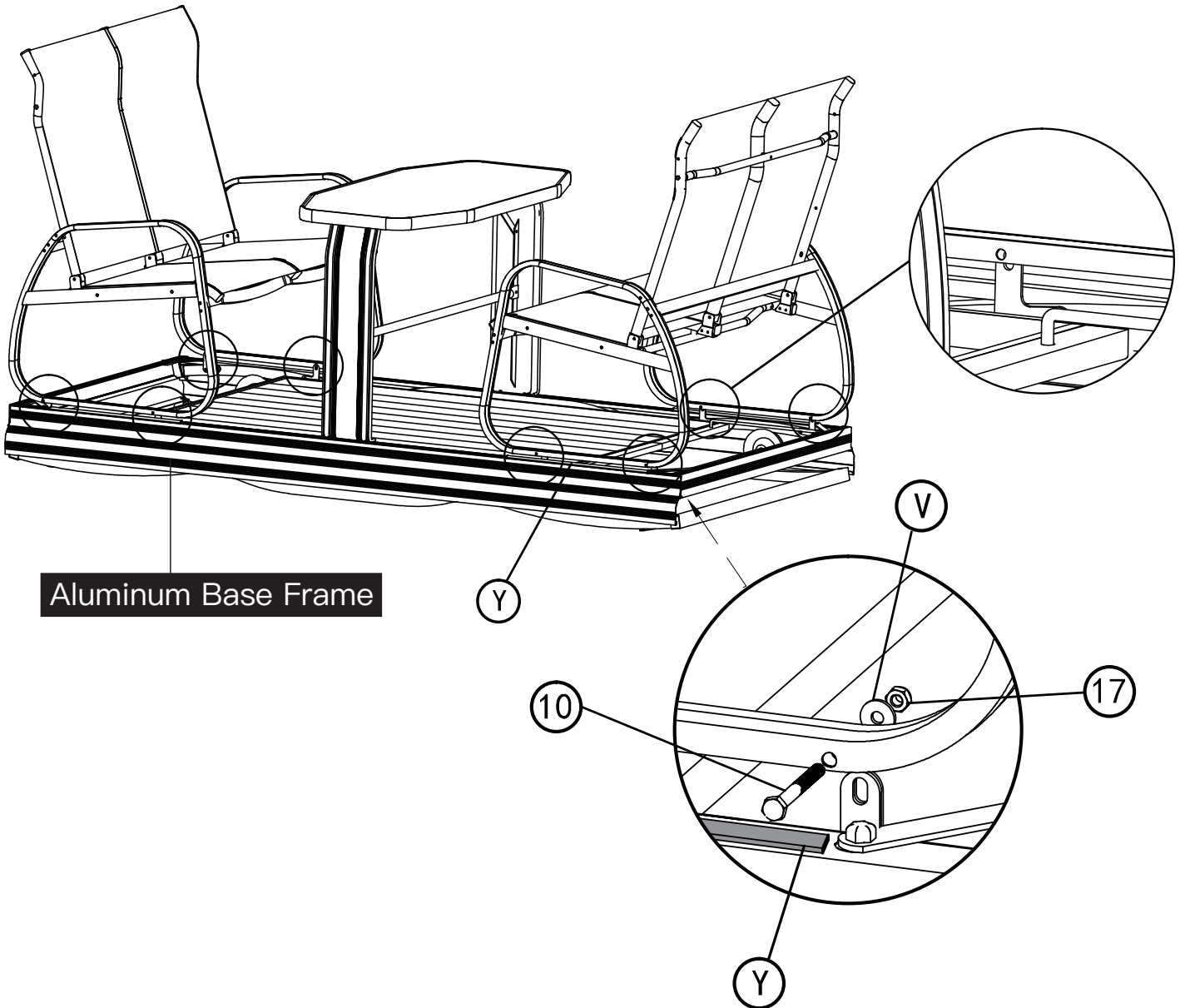
Y 4X

V 8X

17 8X

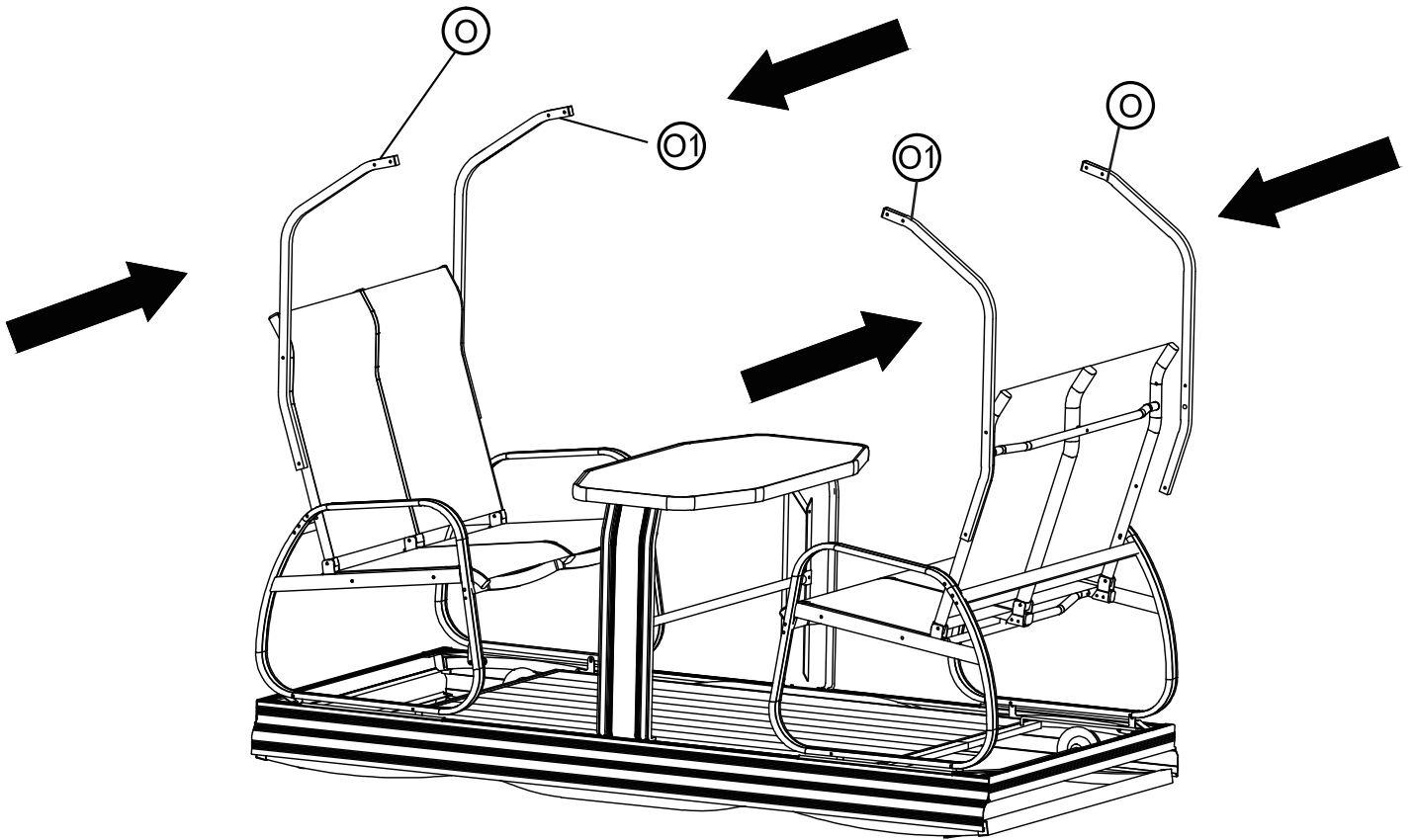
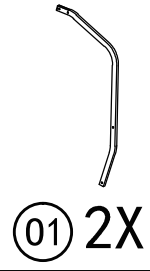
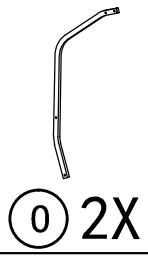
10 8X




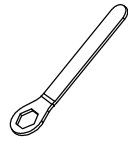
22 2X

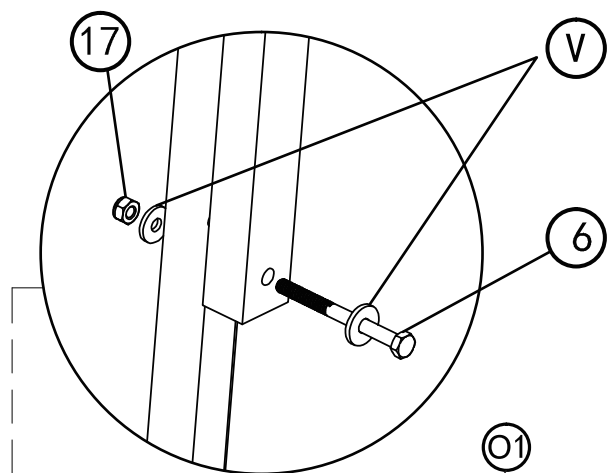


Aluminum Base Frame

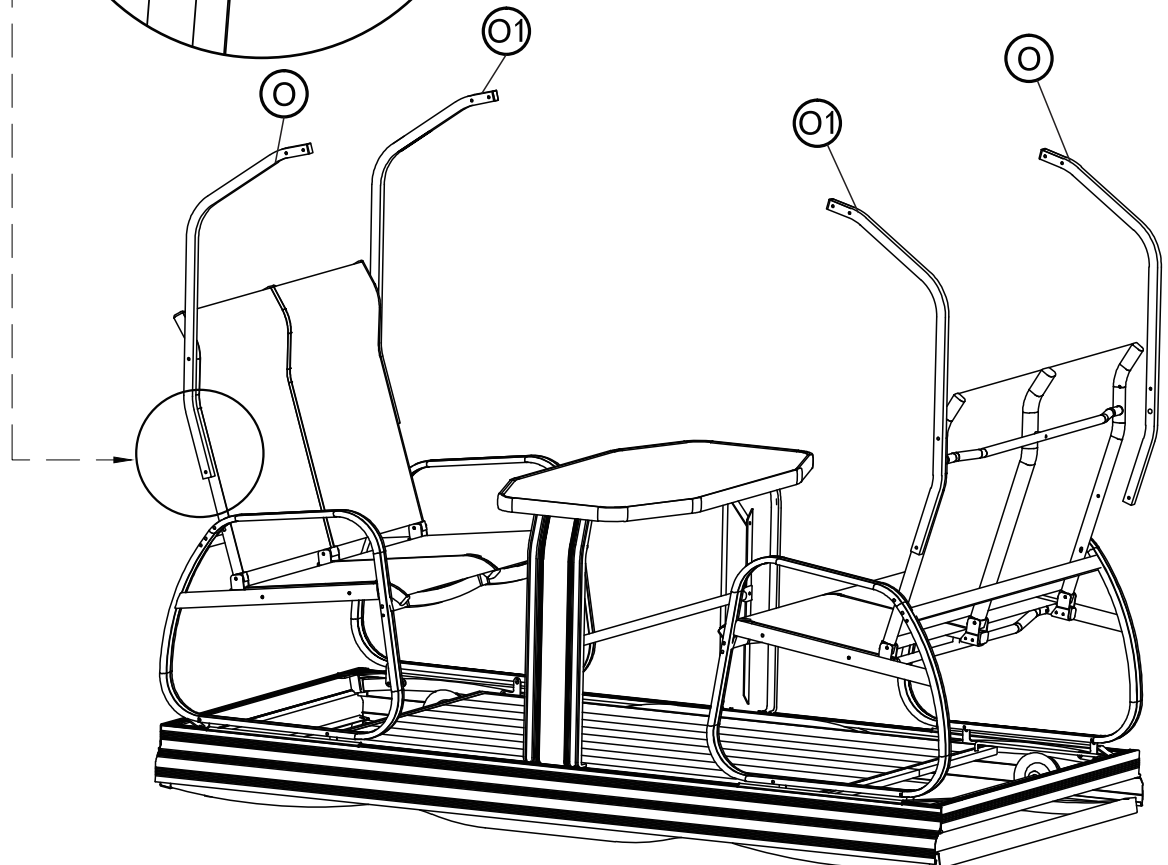
- (1) Attach the rubber strip Y on the aluminum base frame E as shown.
- (2) Install chairs onto aluminum base frame.
- (3) Align the holes and tighten with steel flat washer V, bolt 10 and nut 17.



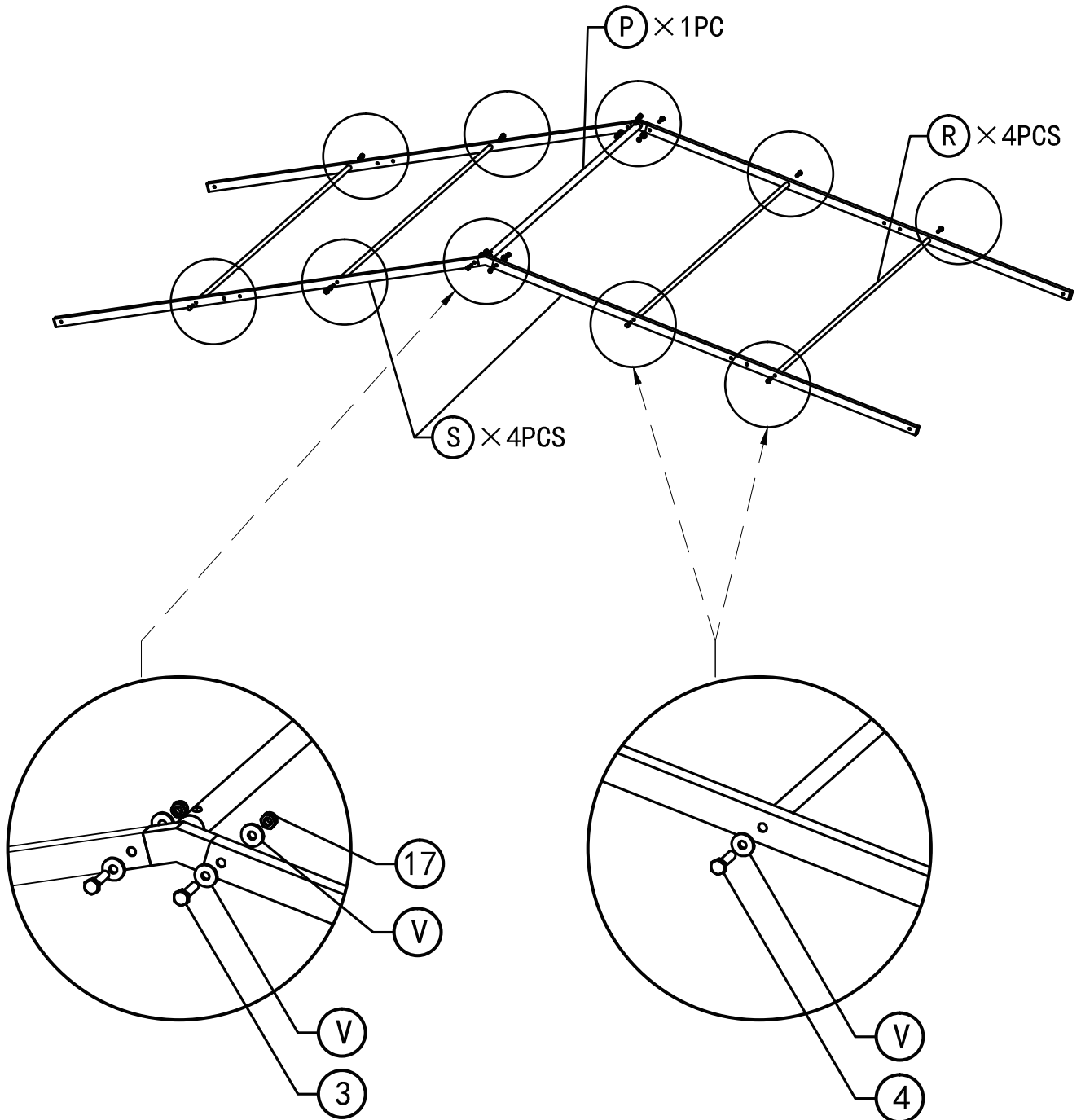
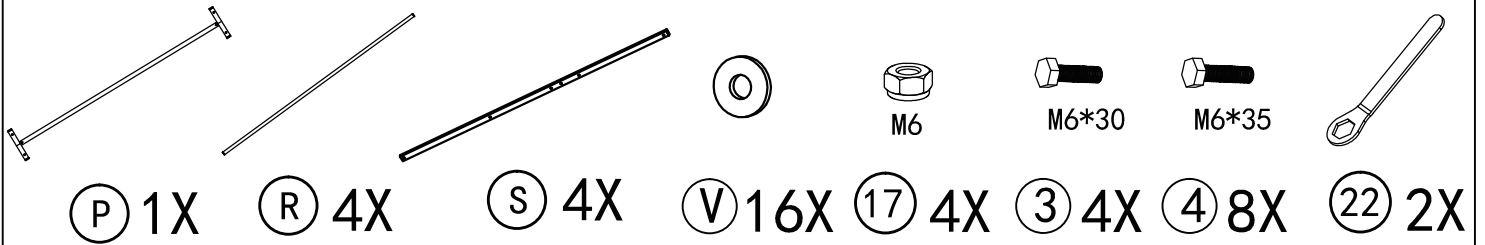
-   
 V 16X
-   
 M6  
 17 8X
-   
 M6\*45  
 6 8X
-   
 22 2X



Fix the support arm O&O1 on the chair using steel flat washer V, bolt 6 and nut 17.

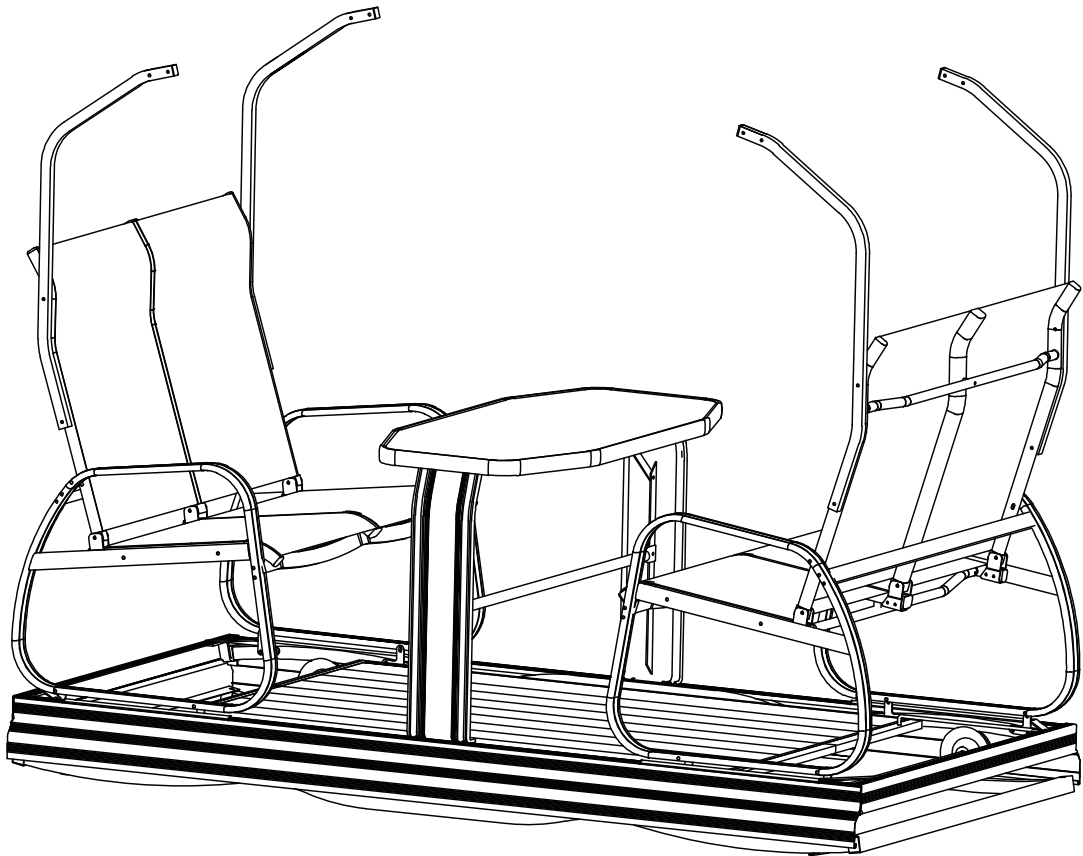
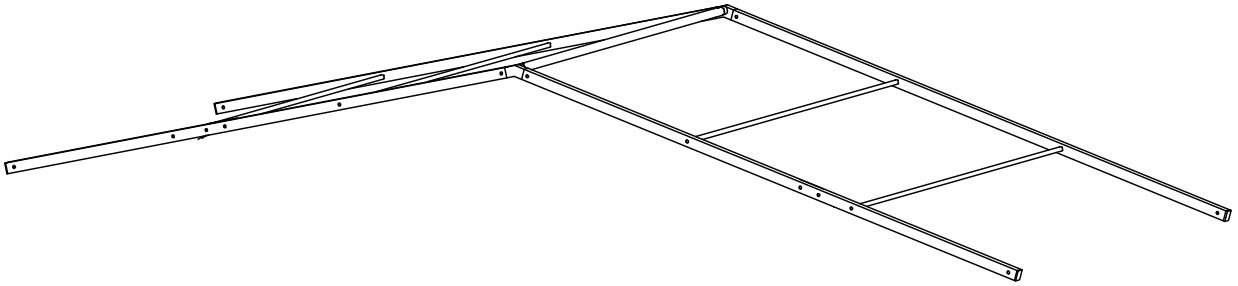


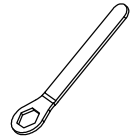




(1) Insert roof support tube S into roof connect tube P. Align their holes and fix with steel flat washer V, bolt 3 and nut 17.

(2) Fix the roof support tube S and roof connect tube R with steel flat washer V and bolt 4.





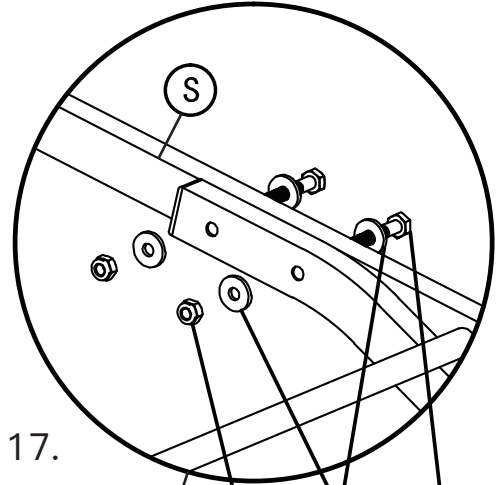
⓪ 16X

⑰ 8X

⑥ 8X

⑳ 2X

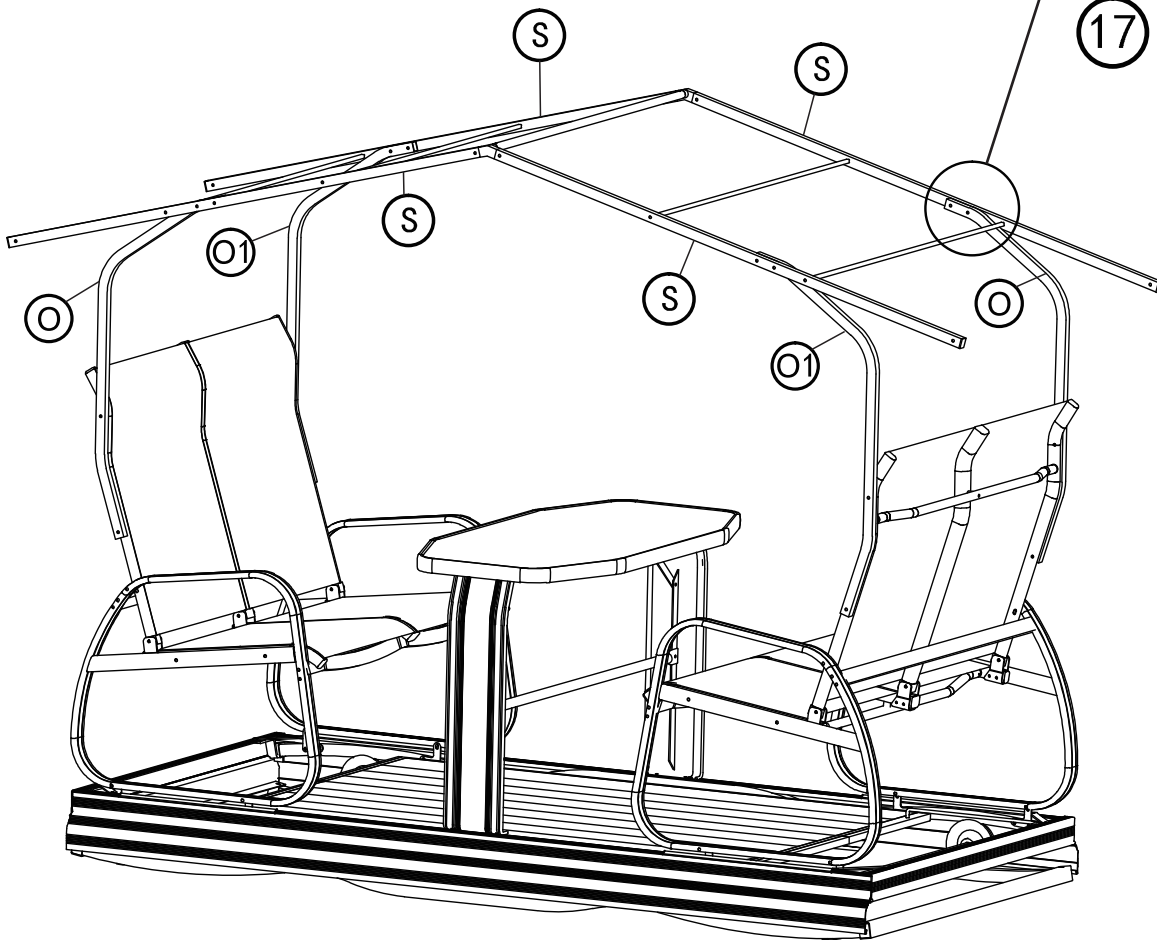
Screw support arm O & O1 and roof support tube S using steel flat washer V, bolt 6 and nut 17.

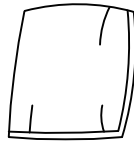


⑰

V

⑥



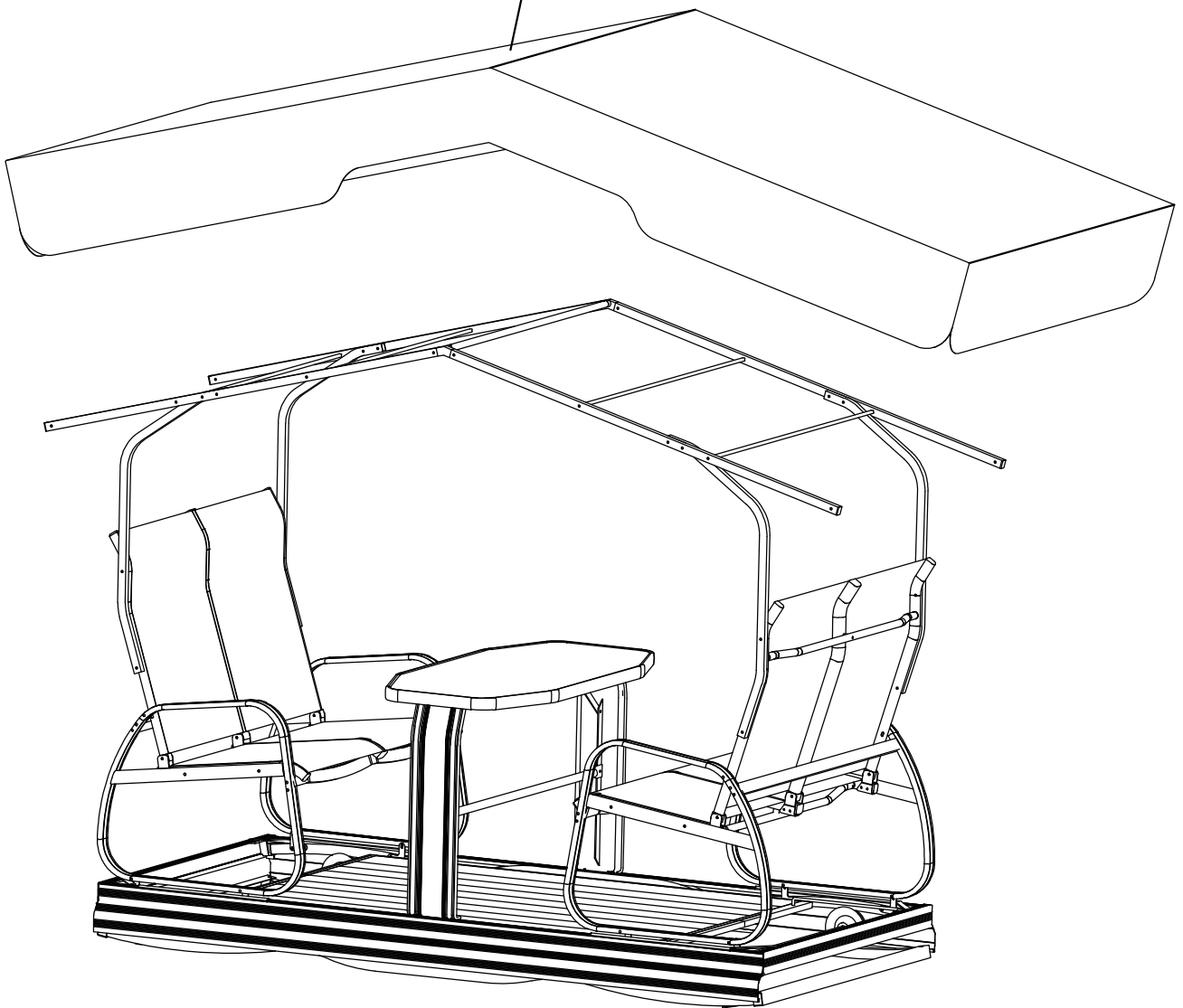


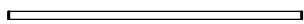
Ⓢ 1X

Put the canopy onto the top as shown.



Ⓢ × 1PC





Q 2X

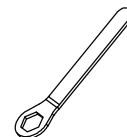


V 4X



M6\*30

3 4X

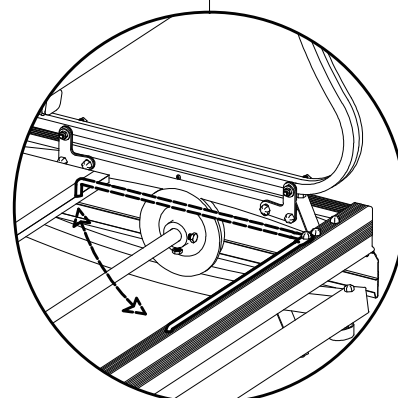
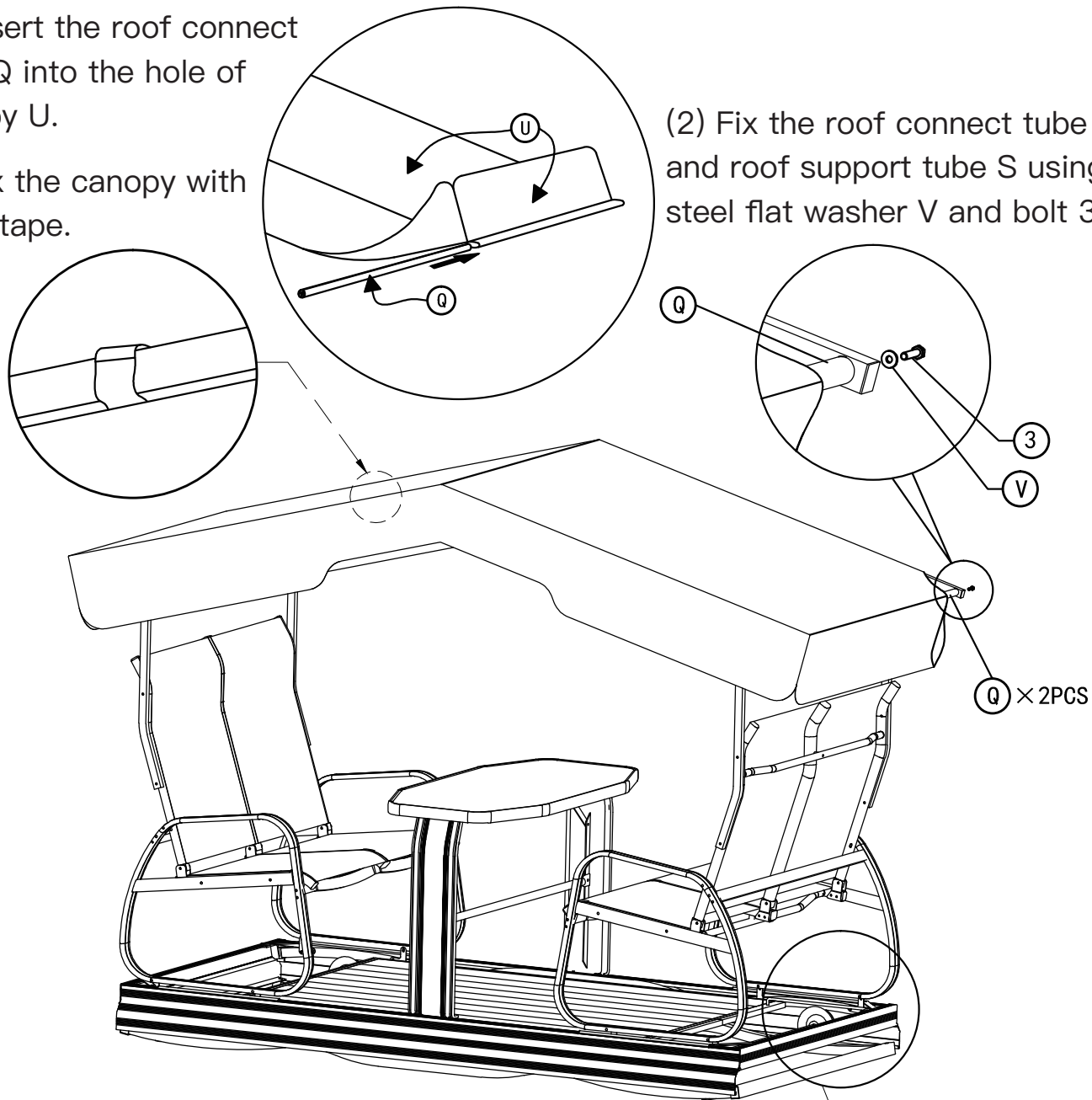


22 1X

(1) Insert the roof connect tube Q into the hole of canopy U.

(3) Fix the canopy with nylon tape.

(2) Fix the roof connect tube Q and roof support tube S using steel flat washer V and bolt 3.



23



M6

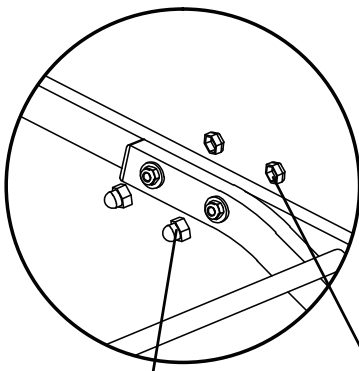
②① 135X



M6

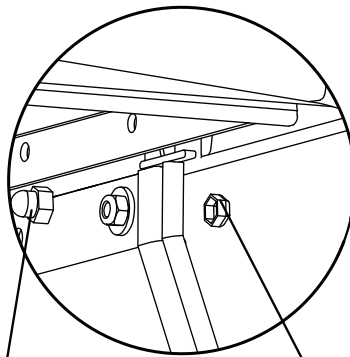
②① 76X

Press the plastic cap 20&21 on the steel nut 17.



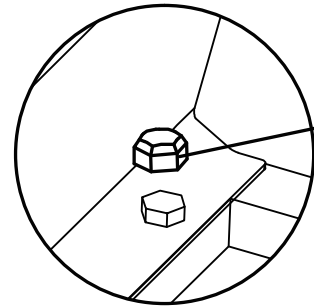
②①

②①

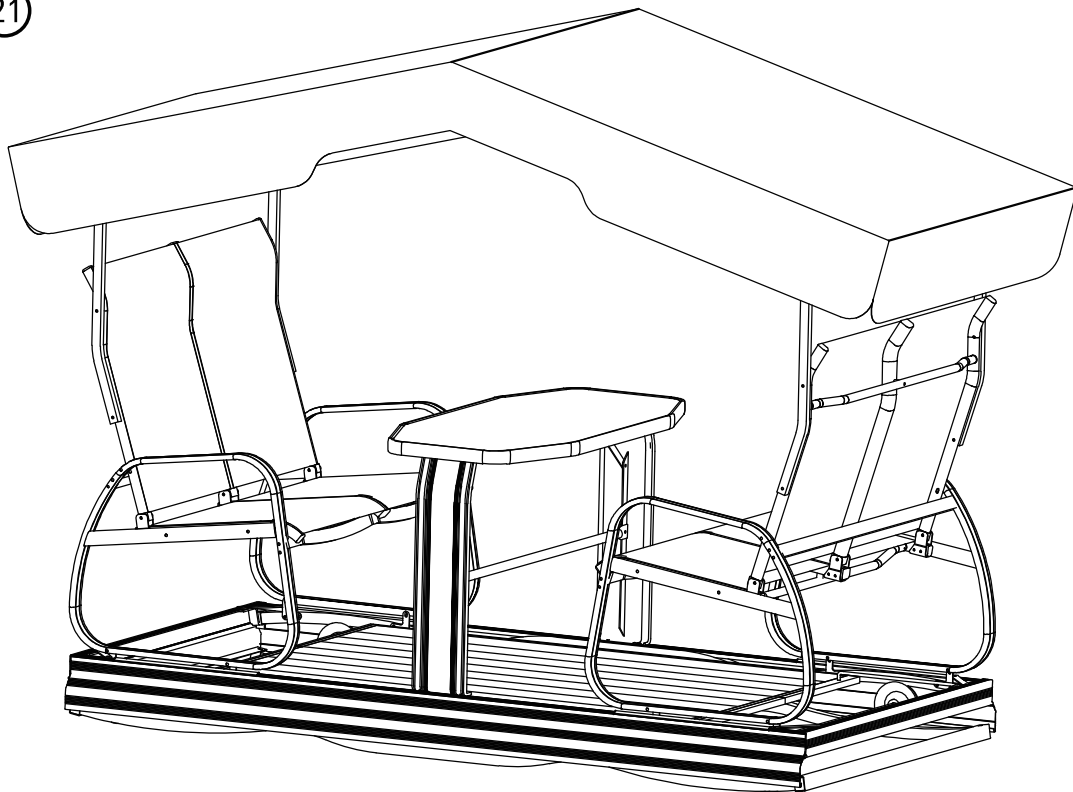


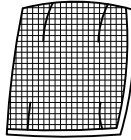
②①

②①



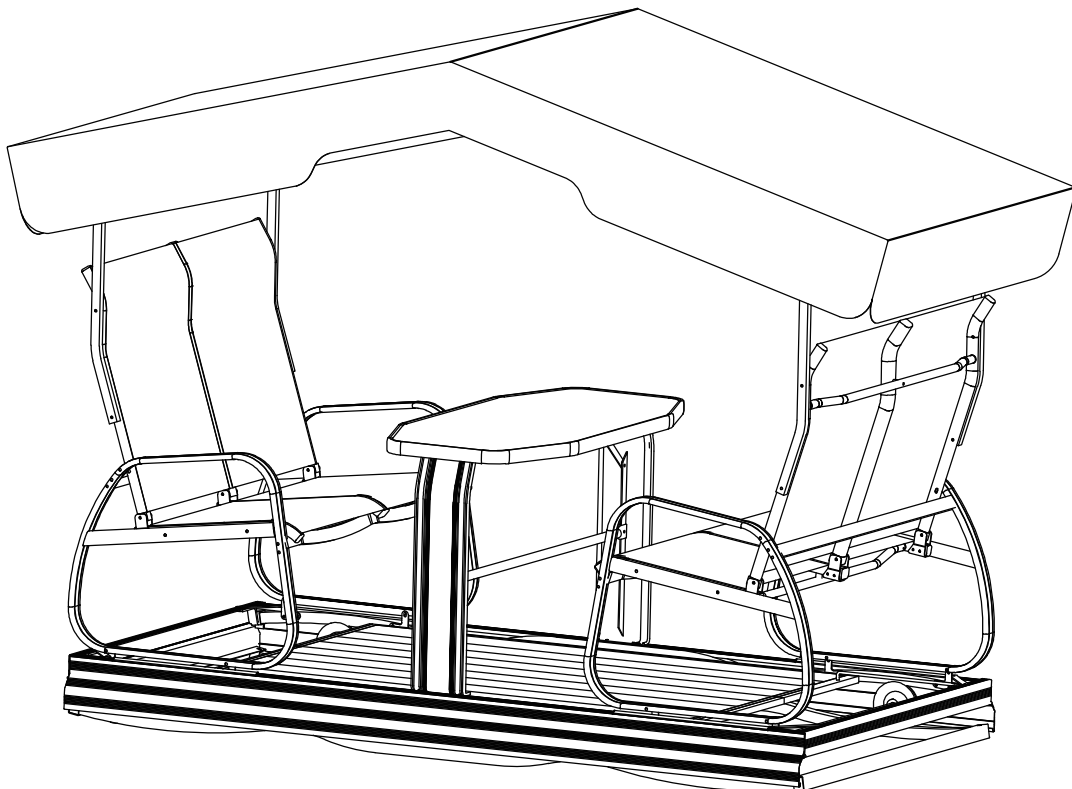
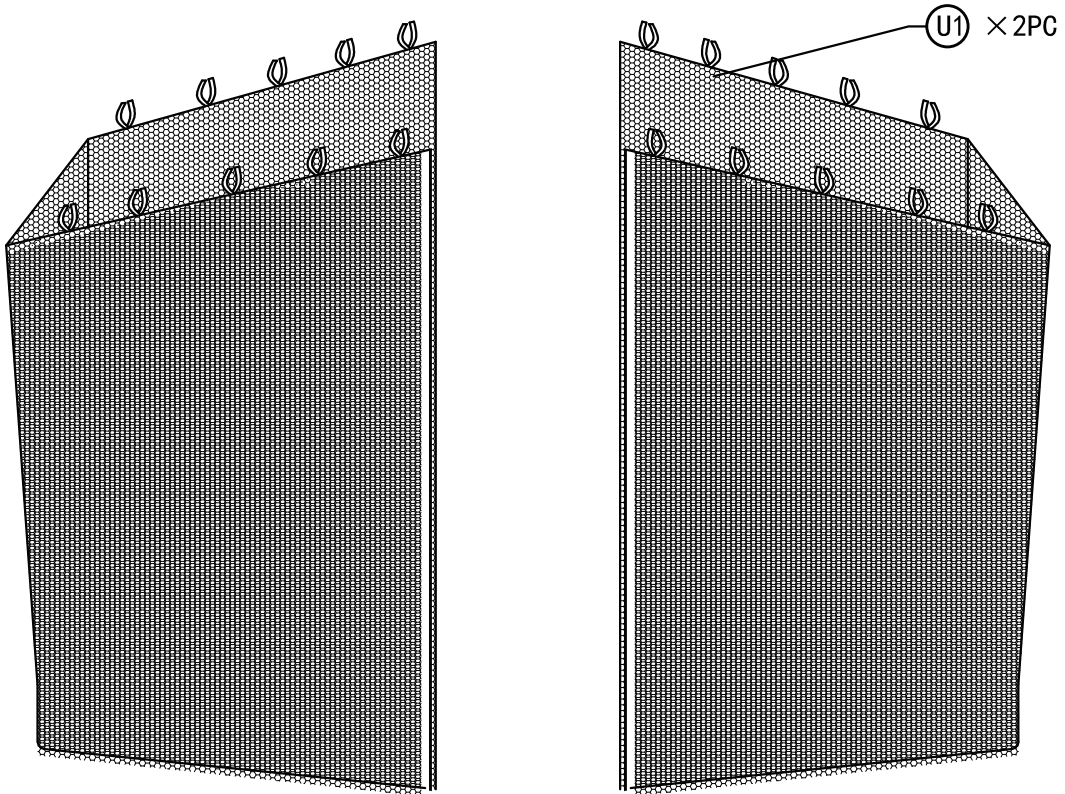
②①





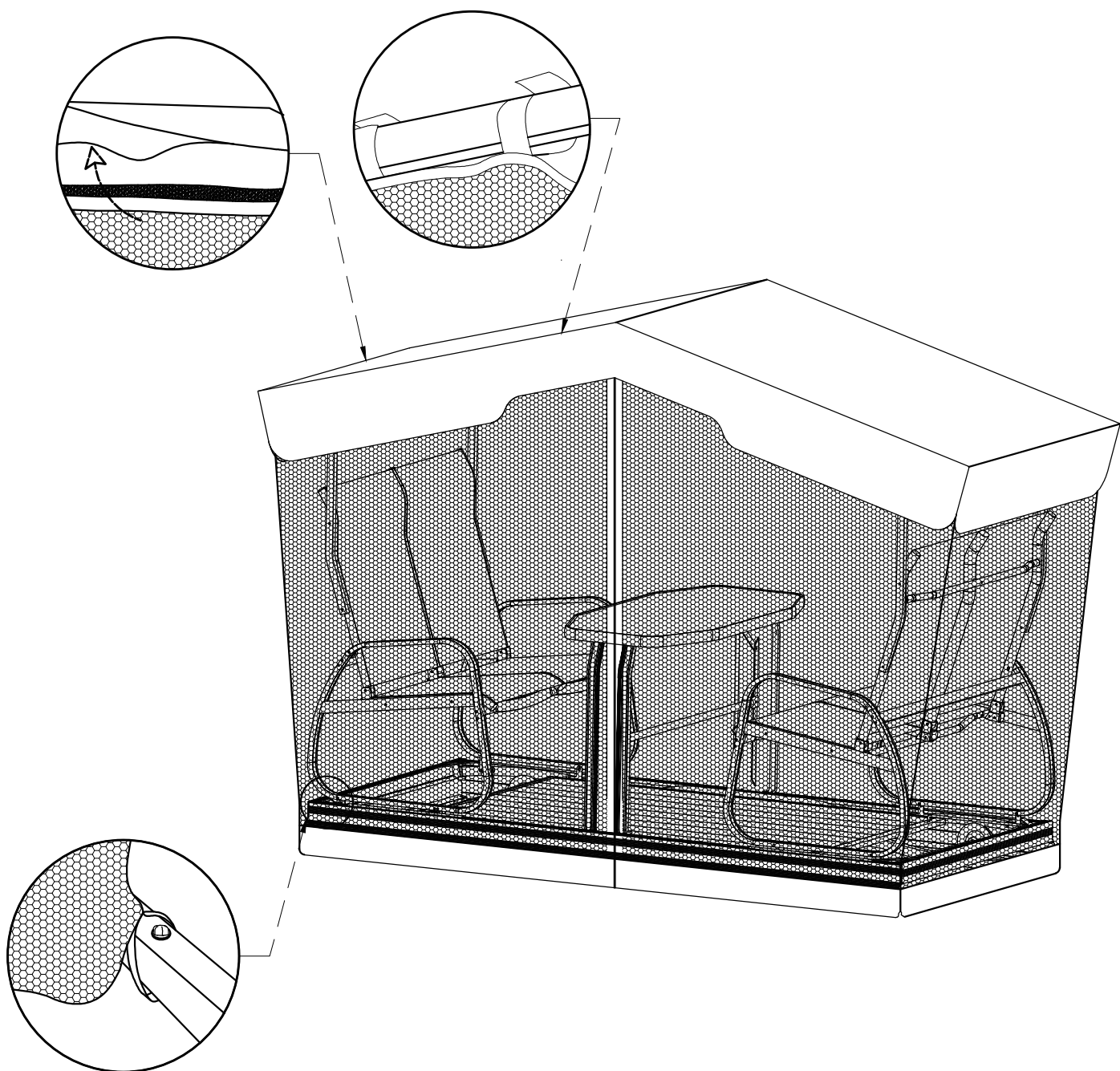
U1 2X

Hang the netting U1 on the roof connect tube S.





Inspect and make sure all parts are connected.  
The outdoor glider is ready for use!



# Warranty

## Frames

Frames constructions are warranted to be free from defects in material and workmanship for 1 year from item purchased. Damage to frame from negligence won't be covered by this warranty.

## Cushions

Cushions are warranted to be free from defects in material and workmanship for 1 year from item purchased. Damage from exposure to chemicals (including but not only oils, spills, fluids) won't be covered by this warranty.

## Bolts & nuts

Bolts and nuts are warranted to be free from defects in material and workmanship for 1 year from item purchased. Damage from exposure to chemicals (including not only oils, spills, fluids) won't be covered by this warranty.

## Warranty Limitation

This warranty is for the original purchase order only. (Order number required), This warranty is non-transferable." Domi Outdoor Living is responsible for the free replacement part including shipping charges for the 1 year warranty.

## Warranty Exclusion

This warranty does not cover products subject to negligence, abuse usage, inappropriate installation. Domi Outdoor Living reserves the right to explain warranty exclusions. When there placement tem is applied, the 1 year warranty automatically expires. Please feel free to contact us for applying warranty.



RESORT COMFORT IN YONR  
OWN BACKYARD

**Thanks for your purchase.**

At domi outdoor living, we believe in our products.

That's why we provide a 12-month warranty and

friendly, easy-to-reach after-sales service. So if you

have any questions about our product and assembly-

, please feel free to contact us. We will be here for you.

**Support:**  

email: [service@domioutdoorliving.com](mailto:service@domioutdoorliving.com)

Please tell us your order ID when contact.

Attach photos of damaged part for instant reply.