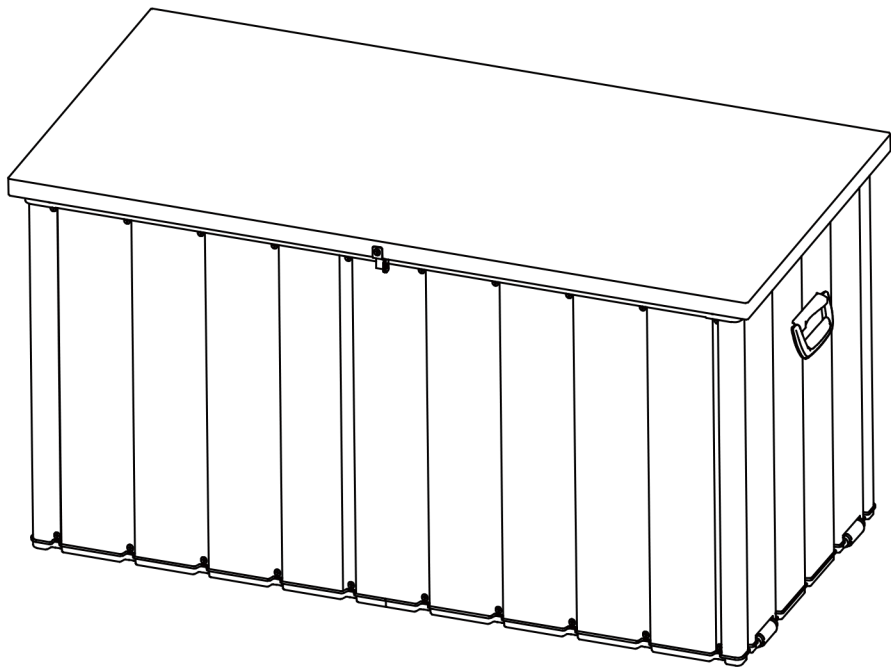




# **100 US GAL Metal Deck Box**

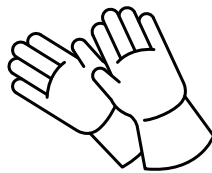
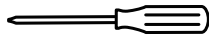
## **ASSEMBLY MANUAL**

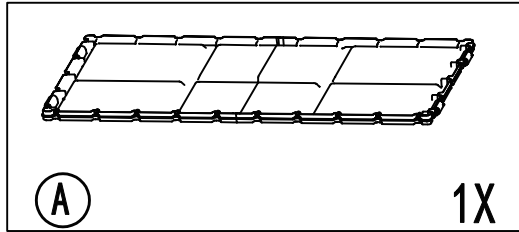


**SKU: LNCF0545**

# BEFORE STARTING ASSEMBLY

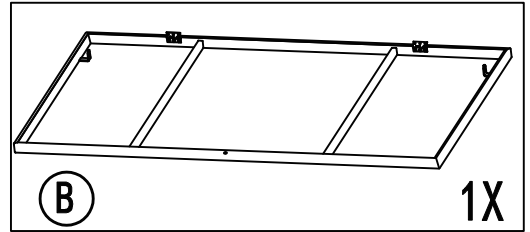
- ① Some parts have metal edges. Please be careful when handling components. Always wear work gloves.
- ② Please check all parts and components to ensure that there are no damages or missing items BEFORE starting the construction of the product.
- ③ Please do not fully tighten the bolts prior to complete assembly.
- ④ Retain for future reference. Read carefully. For domestic use.





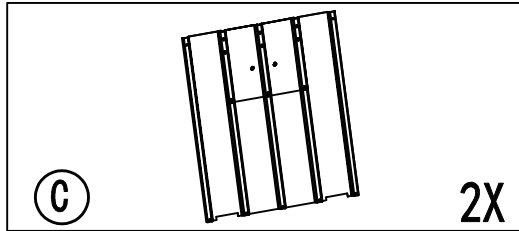
(A)

1X



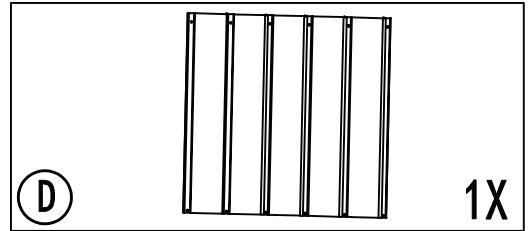
(B)

1X



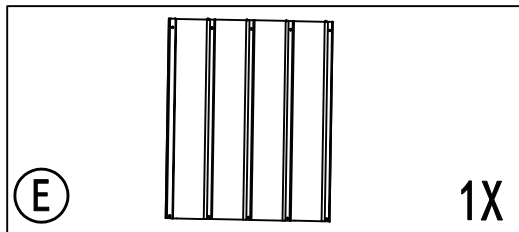
(C)

2X



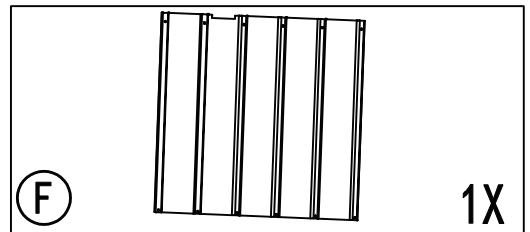
(D)

1X



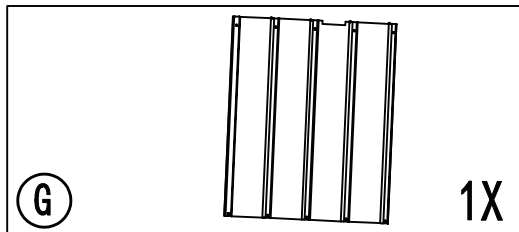
(E)

1X



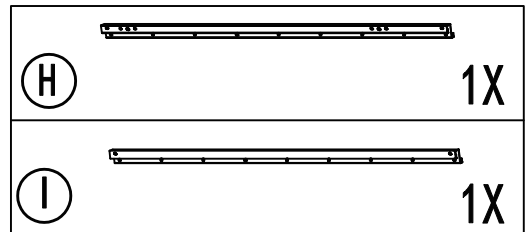
(F)

1X



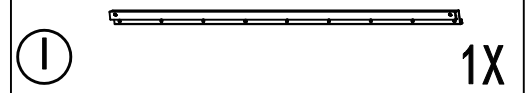
(G)

1X



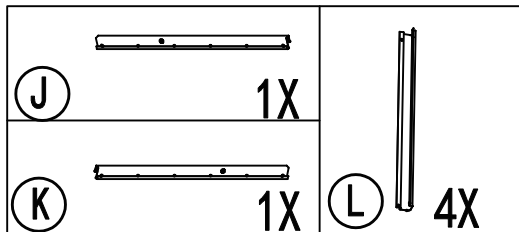
(H)

1X



(I)

1X

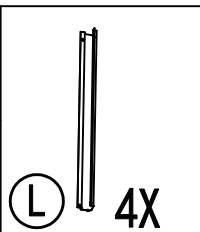


(J)

1X

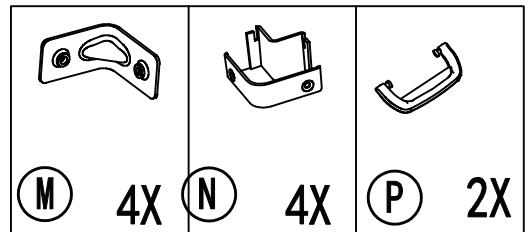
(K)

1X



(L)

4X



(M)

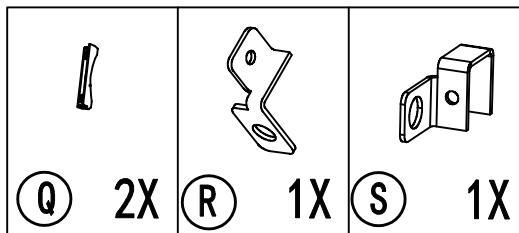
4X

(N)

4X

(P)

2X



(Q)

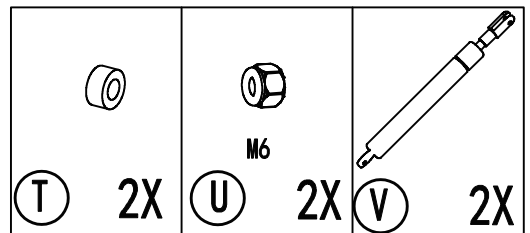
2X

(R)

1X

(S)

1X



(T)

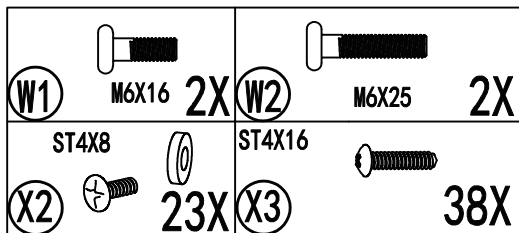
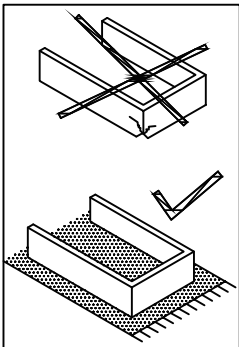
2X

(U)

2X

(V)

2X



(W1)

M6X16

2X

(W2)

M6X25

2X

(X2)

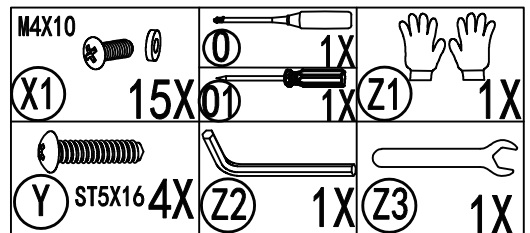
ST4X8

23X

(X3)

ST4X16

38X



(X1)

M4X10

15X

(O1)

1X

(Z1)

1X

(Y)

ST5X16

4X

(Z2)



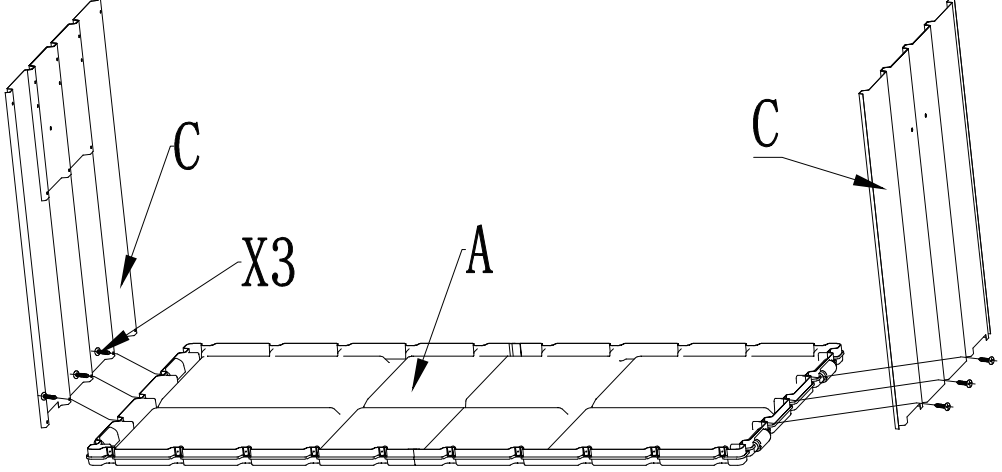







1X



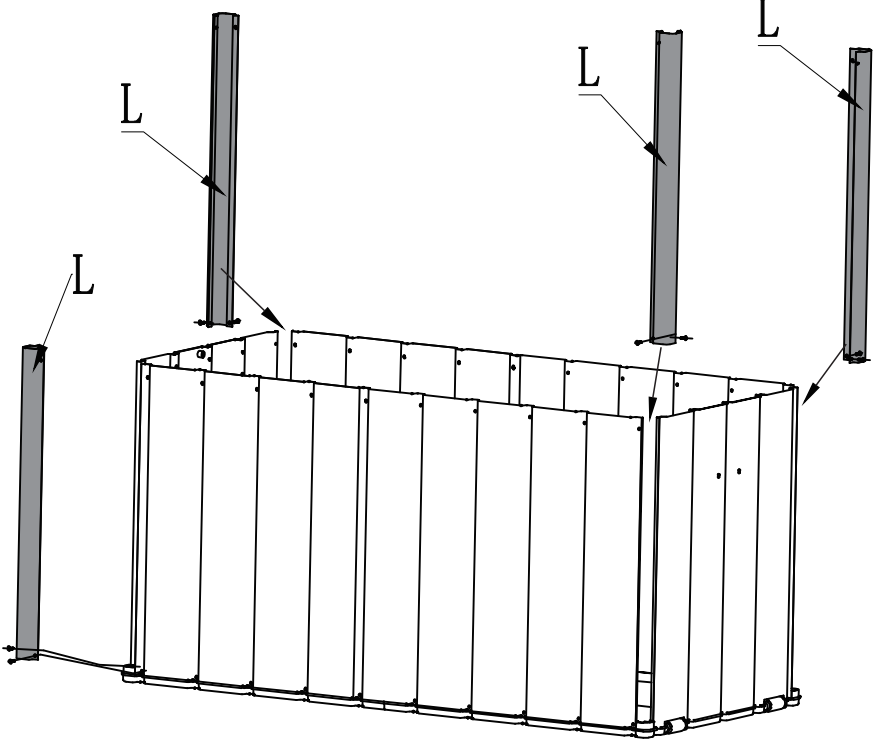
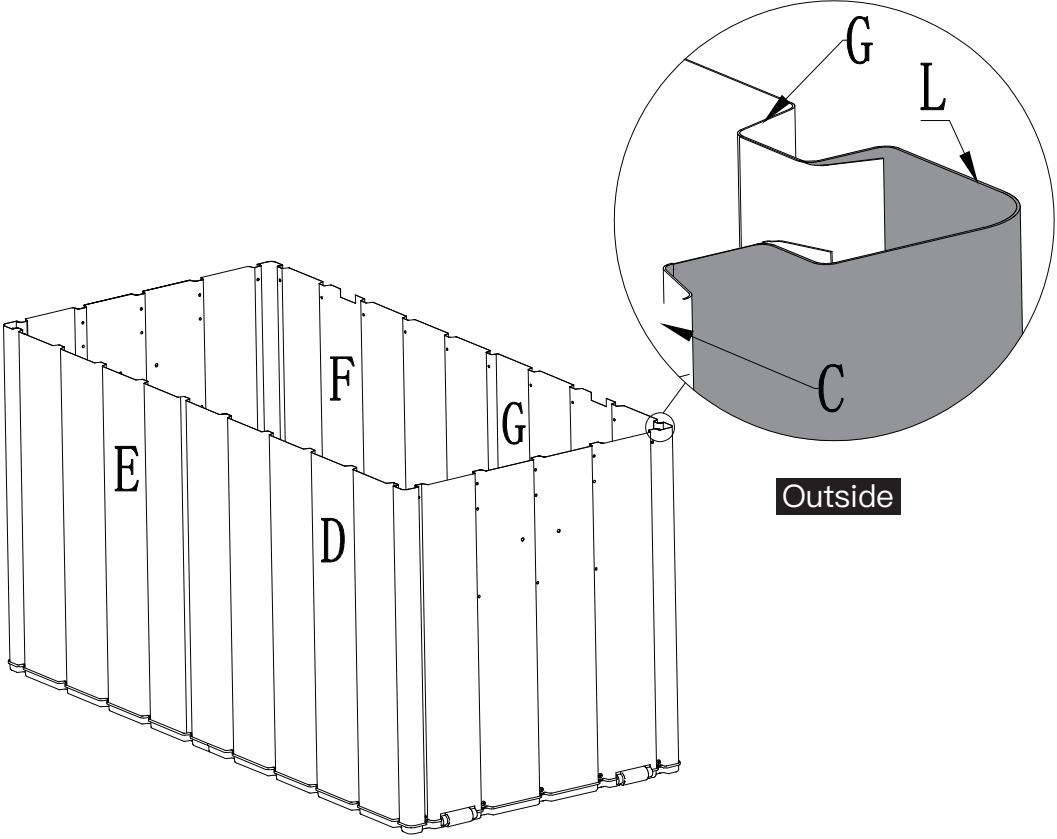
(Z3)





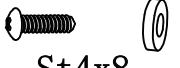
1X

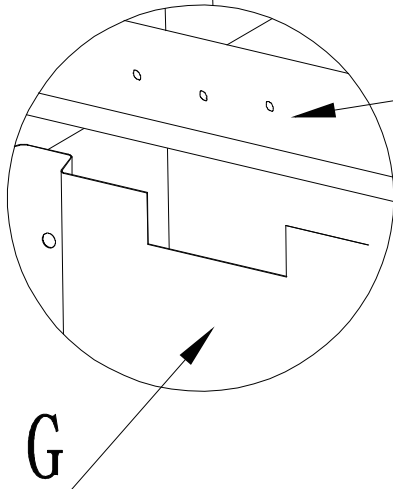
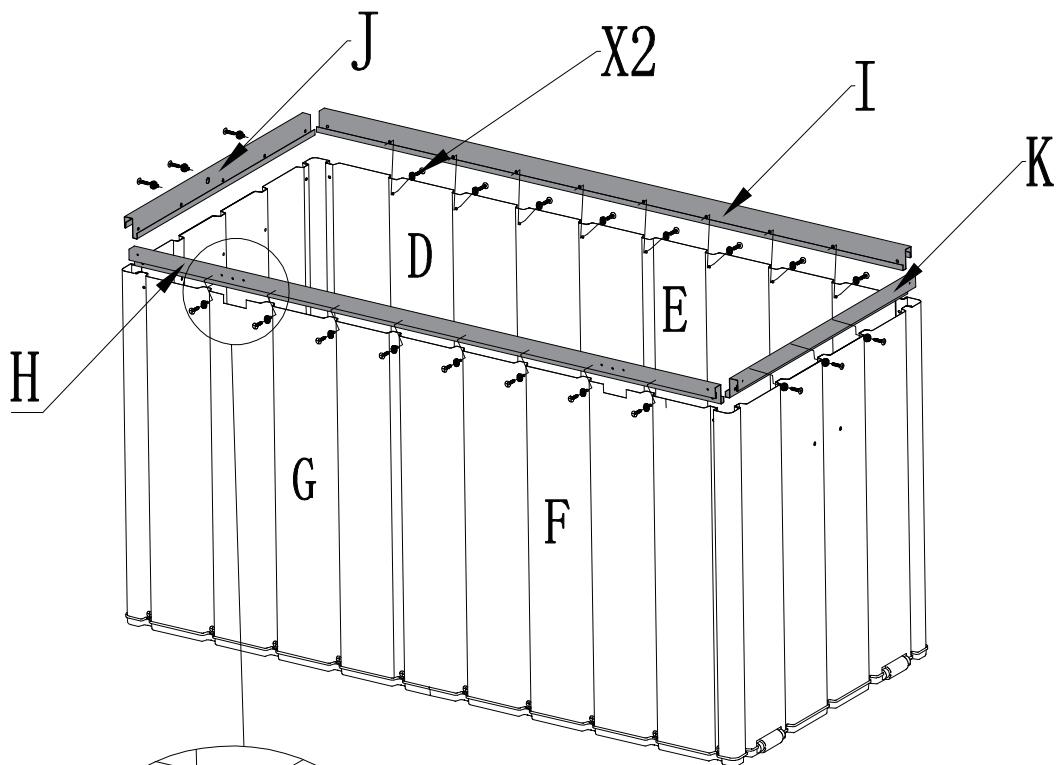
1

⚠ Please do not fully tighten the bolts prior to complete assembly.

 <p>(A) 1X</p>	<p>(1) Place part #C on part #A, align the screw holes, and secure with 3 bolts #X3.</p> <p>(2) Repeat the above procedure to assemble the other side.</p>
 <p>(C) 2X</p>	
 <p>(X3) 6X</p>	
 <p>(D) 1X</p>	
 <p>(E) 1X</p>	<p><u>Step 2:</u> Place part#F, #G on part #A, align the screw holes, and secure with 8 bolt #X3.</p>
 <p>(F) 1X</p>	
 <p>(G) 1X</p>	
 <p>(X3) 16X</p>	
<p>2</p>	

 <p>(L) 4X</p>	<p>(1) Insert 4 part #L to the bottom of the deck box and secure with 8 bolt #X3.</p>
 <p>St4x16</p> <p>(X3) 8X</p>	
<p>3</p>	 <p>Outside</p>

	
(H) 1X	
	
(I) 1X	
	
(J) 1X	
	
(K) 1X	
	
(X2) 22X	


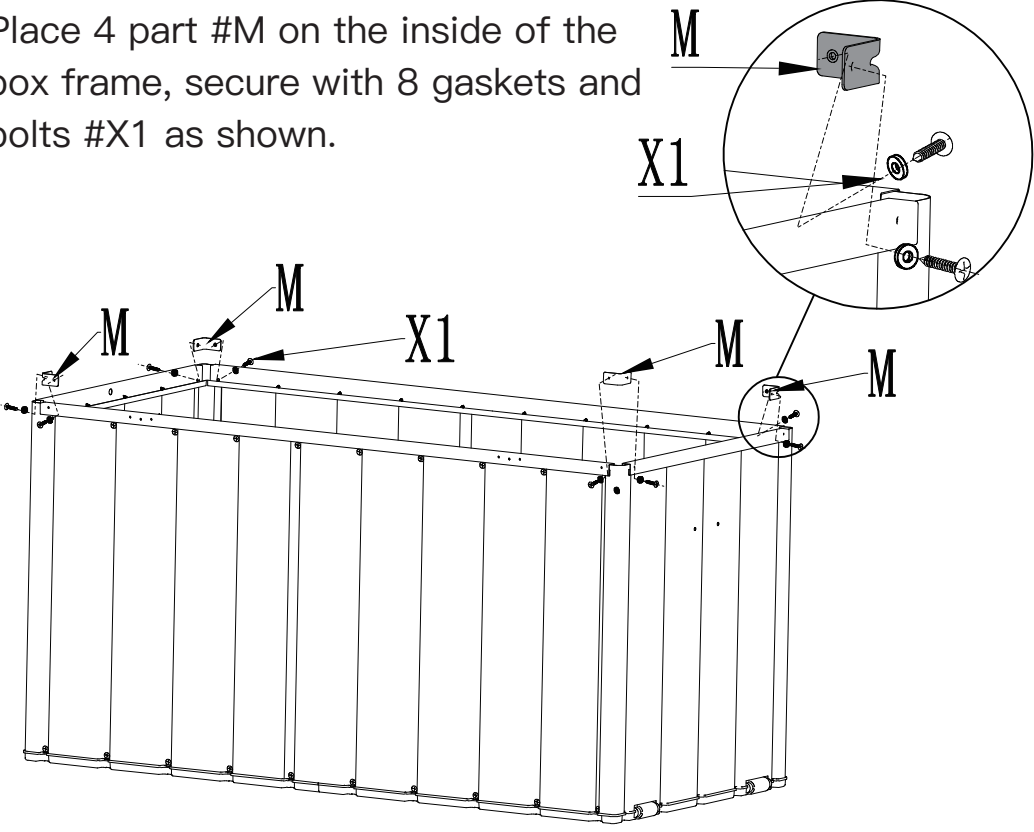

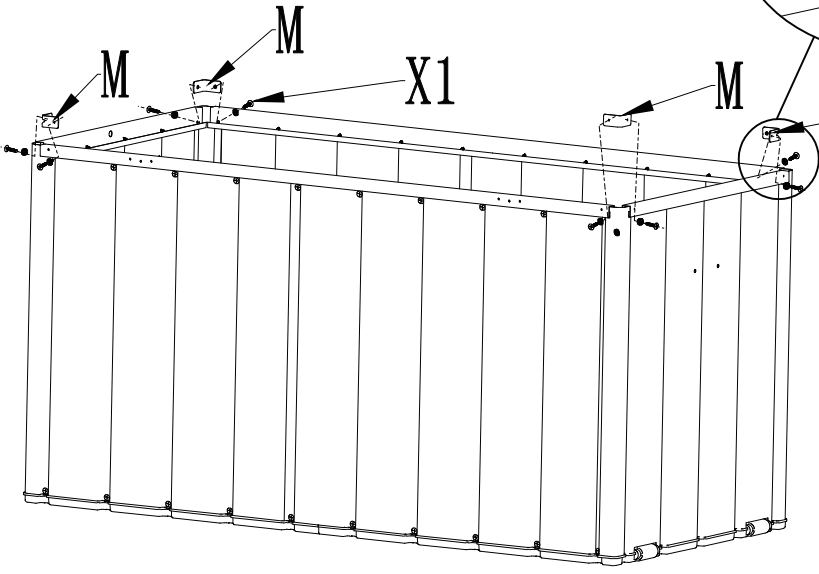

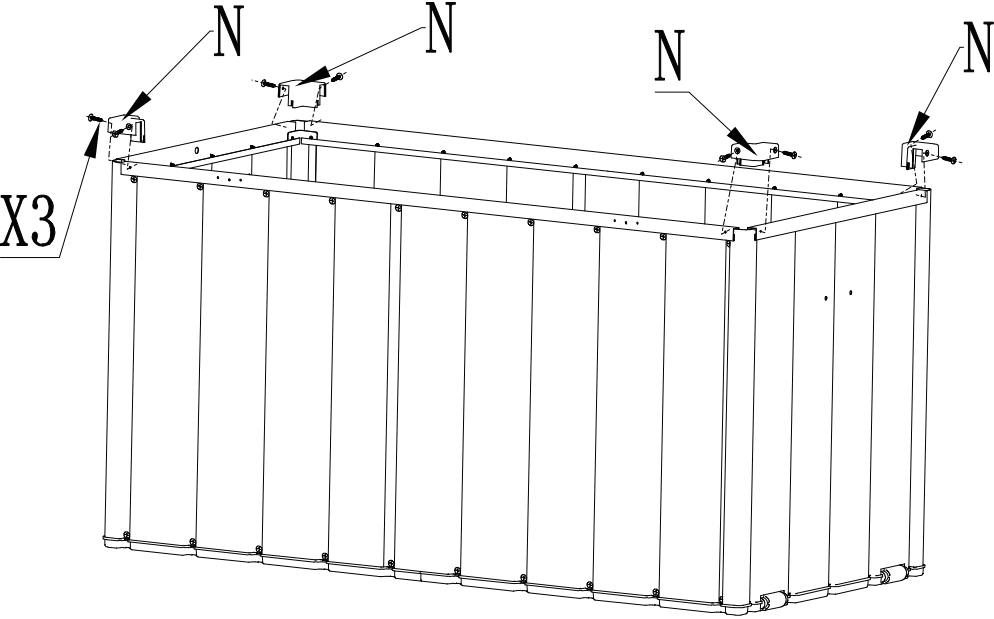

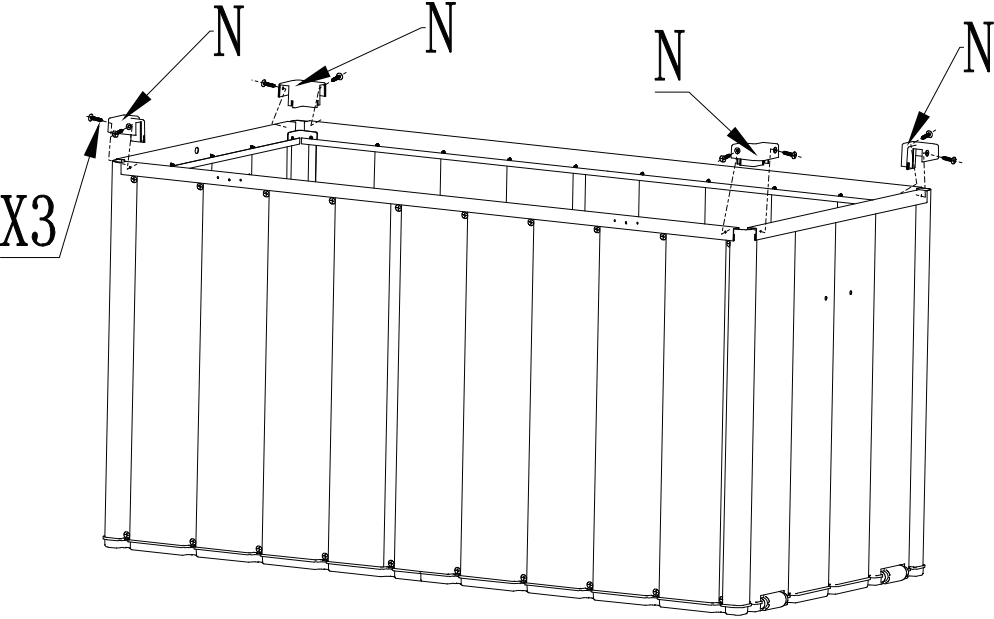



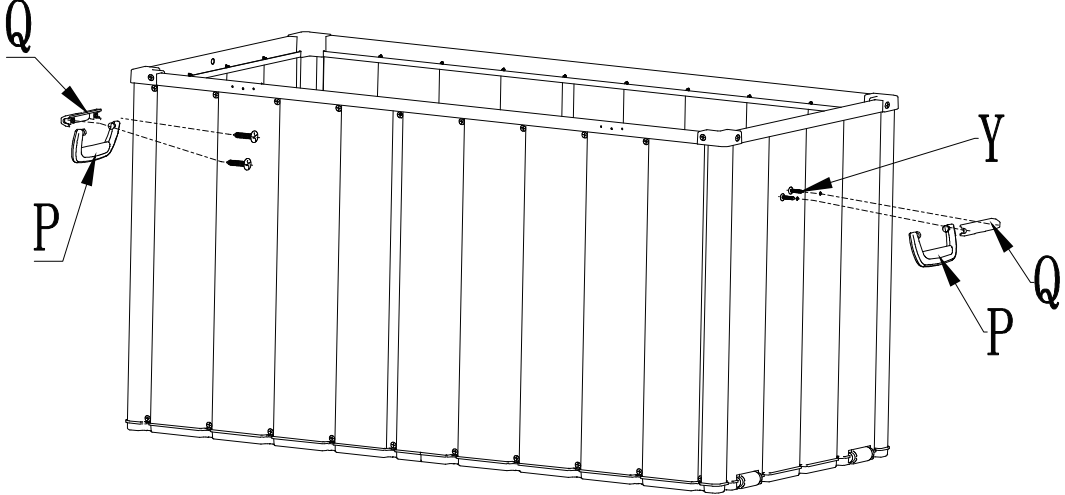


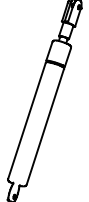
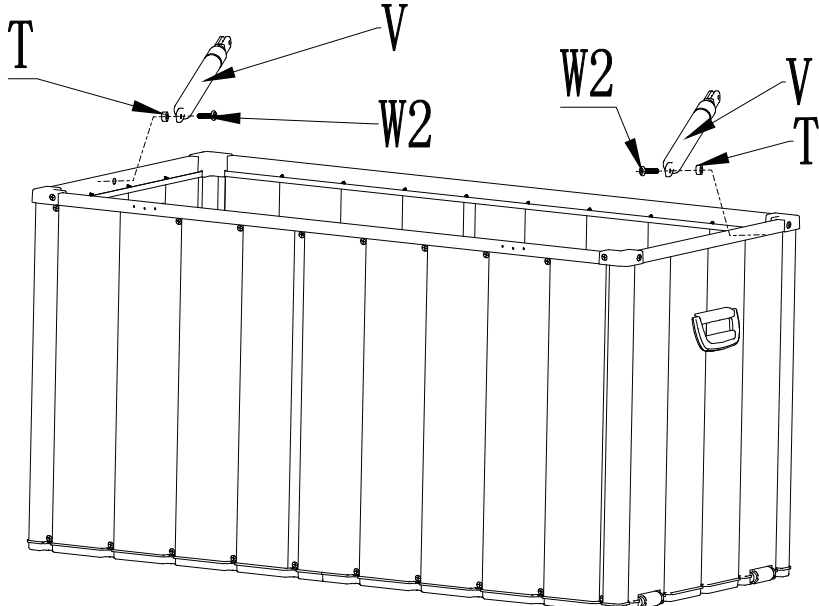


**Step 1:** Place part #H on the storage panel #G & #F as shown, align the screw holes, and secure with 8 gaskets and bolts #X2.

**Step 2:** Place part #I on the storage panel #E & #D as shown, align the screw holes, and secure with 8 gaskets and bolts #X2.


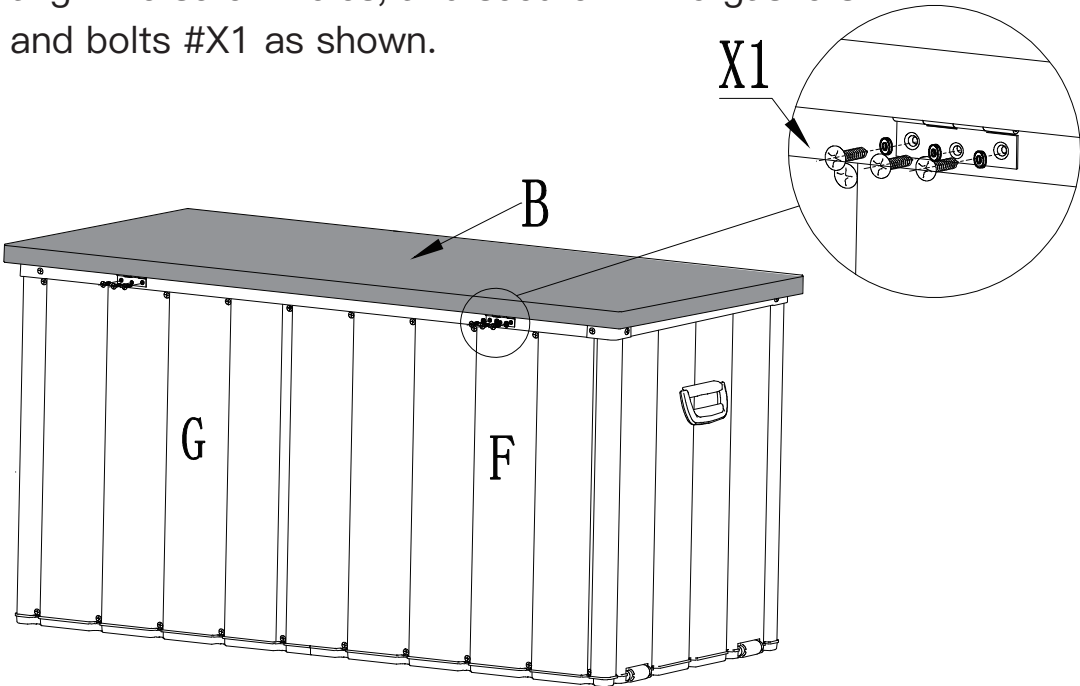

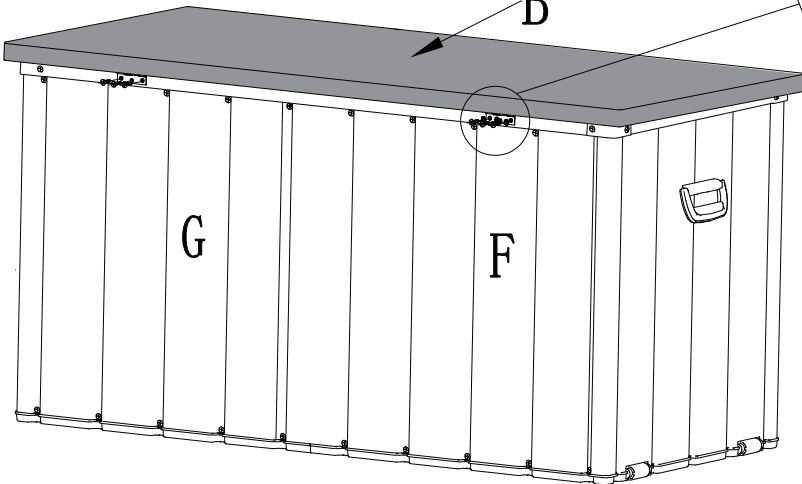

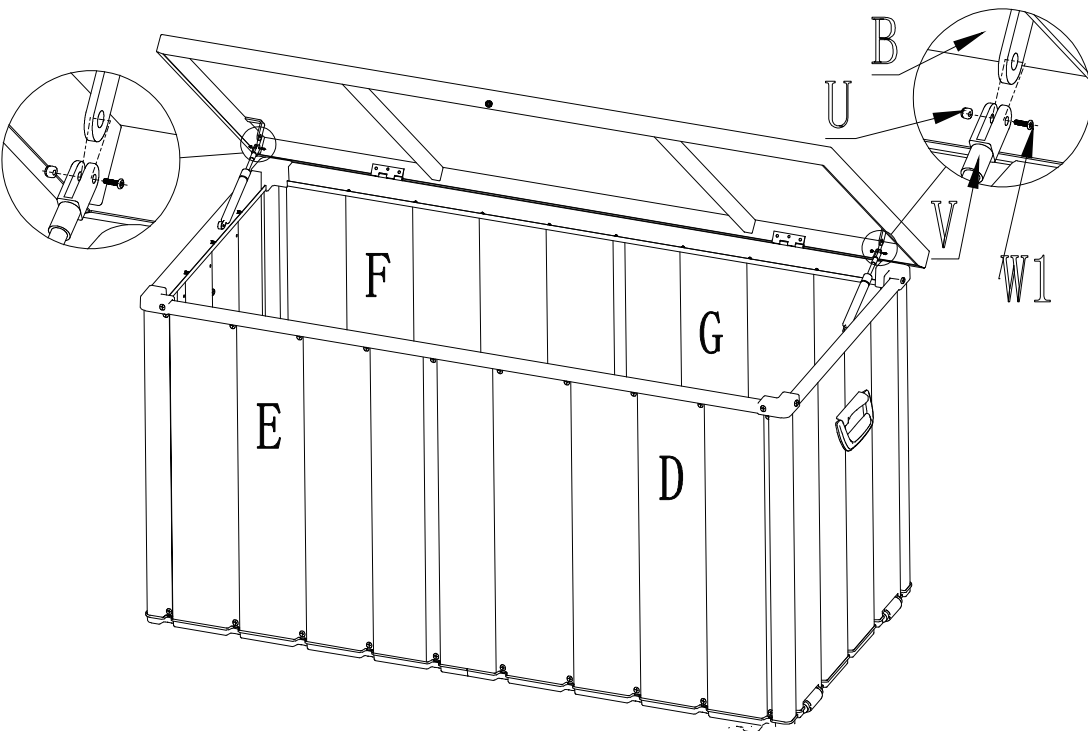
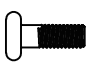
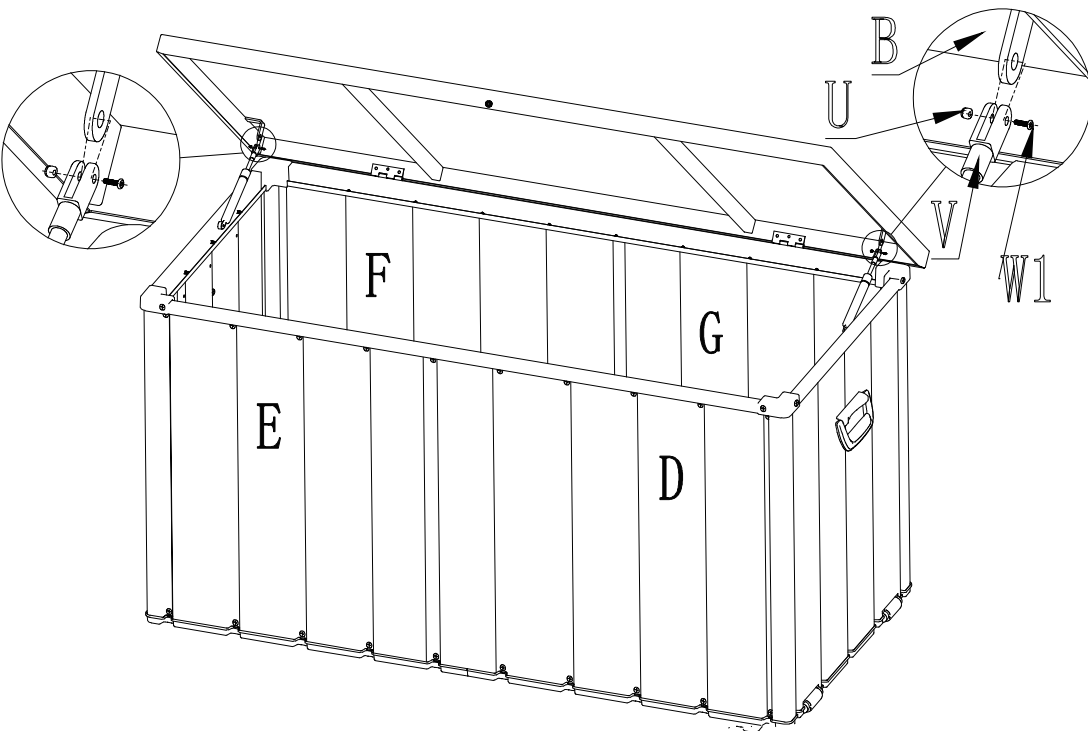
**Step 3:** Place part #J on the storage panel as shown, align the screw holes, and secure with 3 gaskets and bolts #X2.

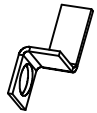
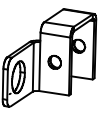


**Step 4:** Place part #K on the storage panel as shown, align the screw holes, and secure with 3 gaskets and bolts #X2.

 <p>(M) 4X</p>	<p>Place 4 part #M on the inside of the box frame, secure with 8 gaskets and bolts #X1 as shown.</p> 
 <p>M4x10</p> <p>(X1) 8X</p>	
 <p>(N) 4X</p>	<p>Cover 4 part #N on the corner of the box, secure with 8 bolt #X3 as shown.</p> 
 <p>St4x16</p> <p>(X3) 8X</p>	
<p>5</p>	

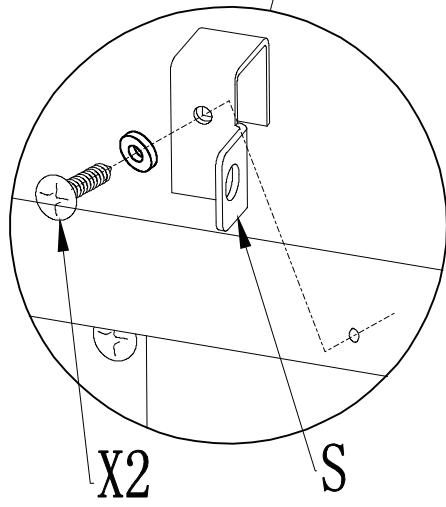
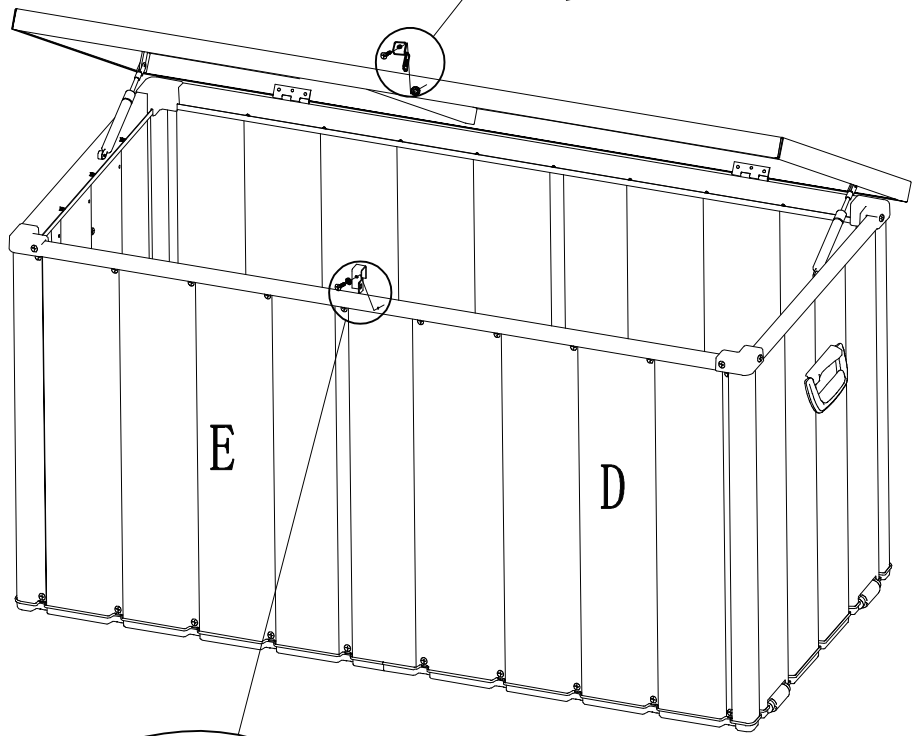
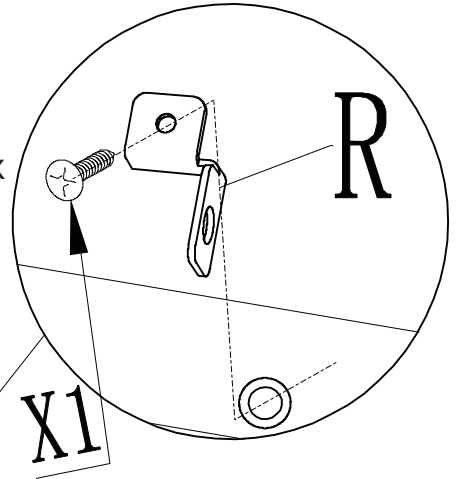
 <p>Ⓟ 2X</p>	<p><b>Step 1:</b> Connect part #P and part #Q.</p> <p><b>Step 2:</b> Use bolt #Y to secure them to the storage panel.</p> 
 <p>Ⓠ 2X</p>	
 <p>St5x16</p> <p>Ⓡ 4X</p>	
 <p>Ⓢ 2X</p>	<p>Use bolt #W2 and gasket #T to secure part #V on the storage panel as shown.</p> 
 <p>Ⓣ 2X</p>	
 <p>M6x16</p> <p>Ⓡ2 2X</p>	
<p>6</p>	



 <p><b>(B)</b> 1X</p>	<p>(1) Place part #B on the storage panel #G &amp; #F, align the screw holes, and secure with 6 gaskets and bolts #X1 as shown.</p> 
 <p>M4x10</p> <p><b>(X1)</b> 6X</p>	
 <p><b>(U)</b> 2X</p>	<p>(2) Use bolt #W1 and nut #U to connect part #V with the bracket under the lid.</p> 
 <p><b>(W1)</b> 2X</p>	
<p>7</p>	

	<b>(R)</b>	<b>1X</b>
	<b>(S)</b>	<b>1X</b>
	<b>(X1)</b>	<b>1X</b>
	<b>(X2)</b>	<b>1X</b>

(1) Use gasket and bolt #X1 to fix part #R to the lid as shown.



(2) Use gasket and bolt #X2 to fix part #S to the storage frame as shown.



## CARE & SAFETY

It is of utmost importance to assemble all of the parts according to the directions. Do not skip any step.

Wear safety goggles and always follow the manufacturer's instructions when using power tools.

Hot items such as recently used grills, blowtorches, etc., must not be stored in the box.

Not designed for carrying items.

Do not stand on lid.

To prevent risk of suffocation, do not allow children to play inside the box.

**IF THERE ARE MISSING OR BROKEN PARTS, PLEASE DO NOT RETURN THE PRODUCT DIRECTLY.**

Please log onto our website, or contact Customer Service.



RESORT COMFORT IN YONR  
OWN BACKYARD

## Thanks for your purchase.

At domi outdoor living, we believe in our products.

That's why we provide a 12-month warranty and

friendly, easy-to-reach after-sales service. So if you

have any questions about our product and assembly-

,please feel free to contact us. We will be here for you.

**Support:**  

email: [service@domioutdoorliving.com](mailto:service@domioutdoorliving.com)

Please tell us your order ID when contact.

Attach photos of damaged part for instant reply.