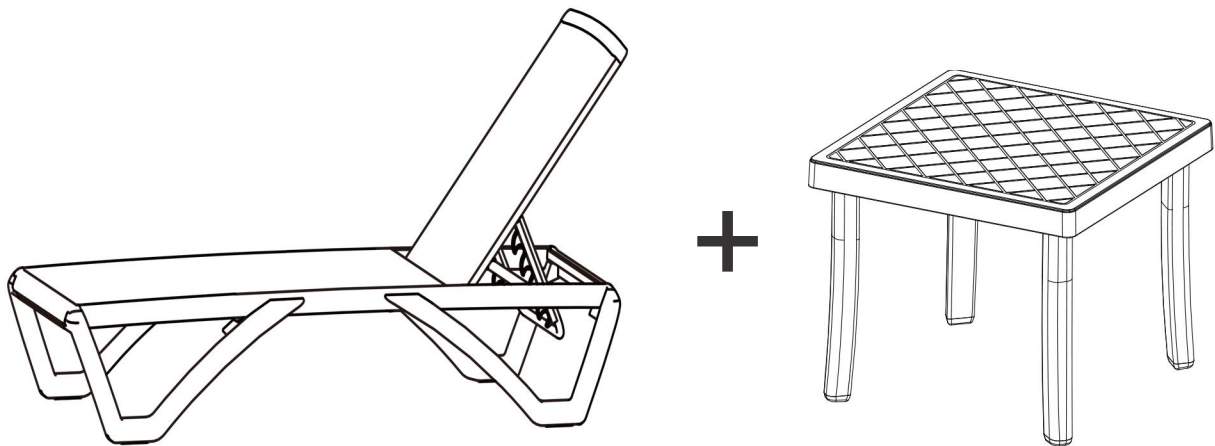


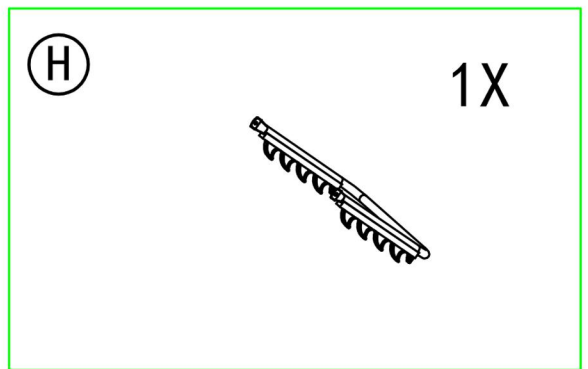
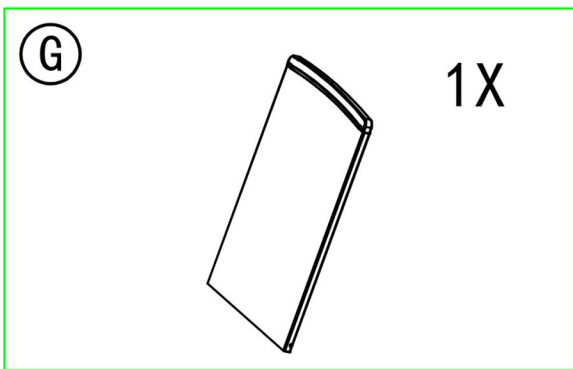
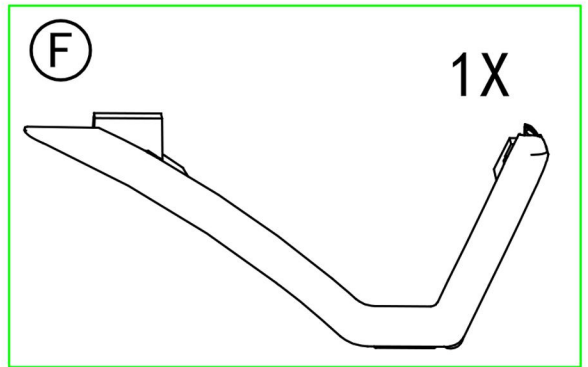
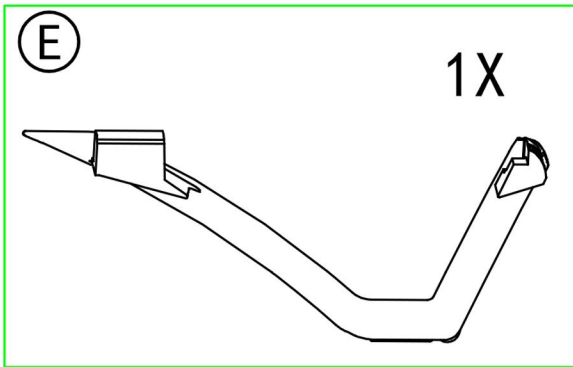
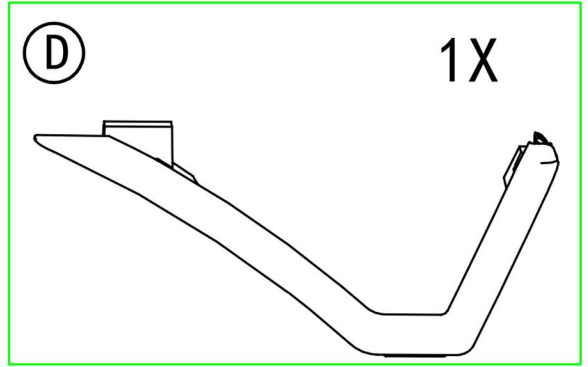
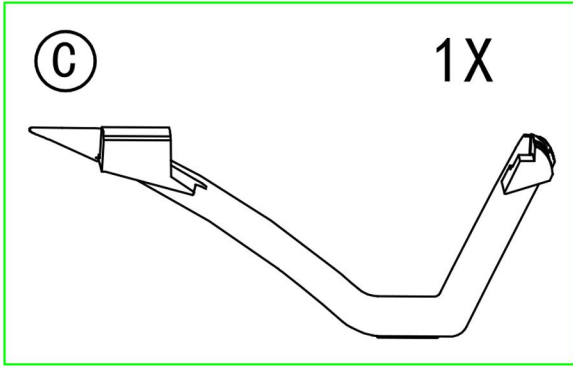
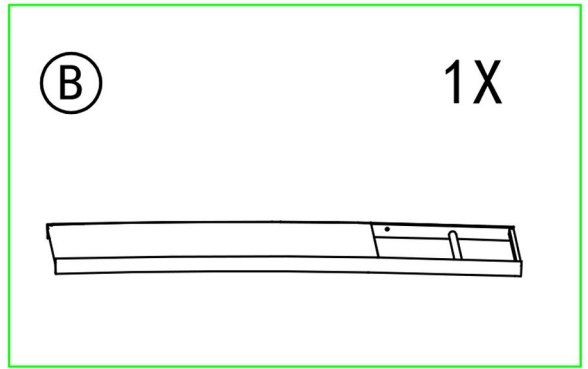
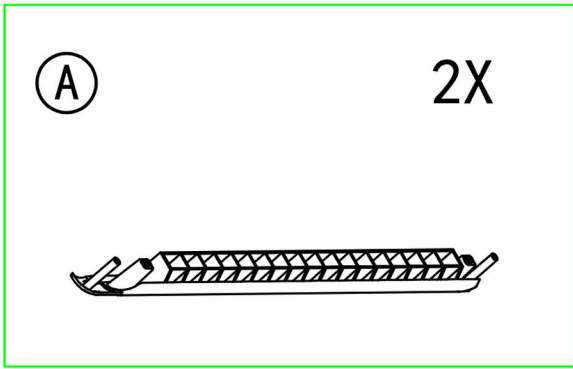


Patio Chaise Lounge Chair With Table Assembly Manual

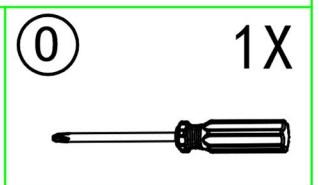
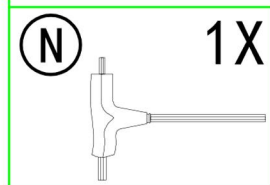
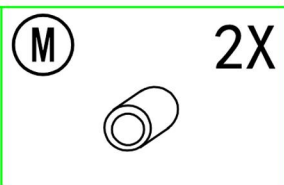
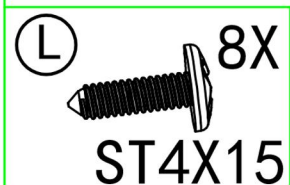
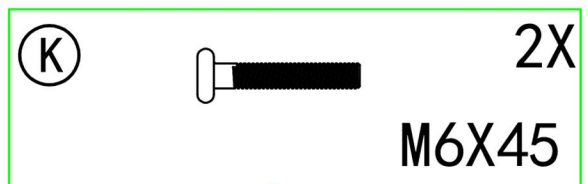
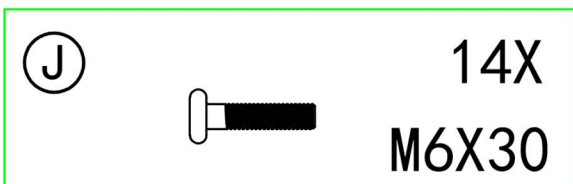
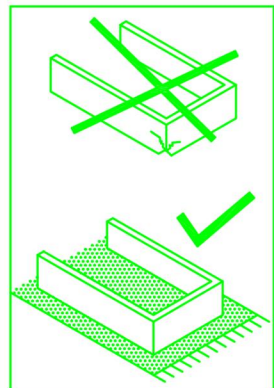


- Prior to assembly, please confirm all of the parts listed included.
- All bolts should be tightened before use. Maybe, you need allen wrench for assembly.
- Missing Part? Damaged? Contact us via email at service@domioutdoorliving.com

Part List:

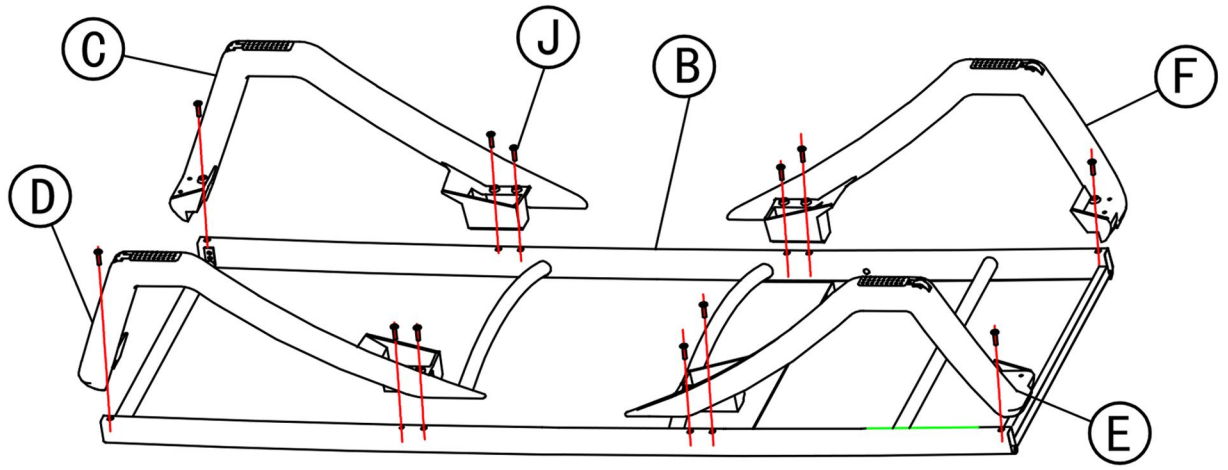


Please assemble the lounge chair on the carton or carpet to avoid scratch.



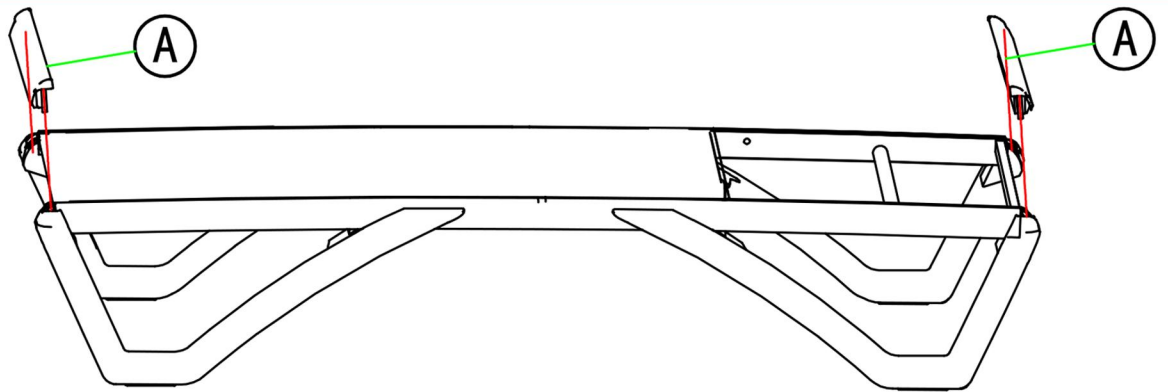
Step 1:

Fix 4 legs (Part C,D,E,F) to Part B separately using Bolt J as shown in diagram.

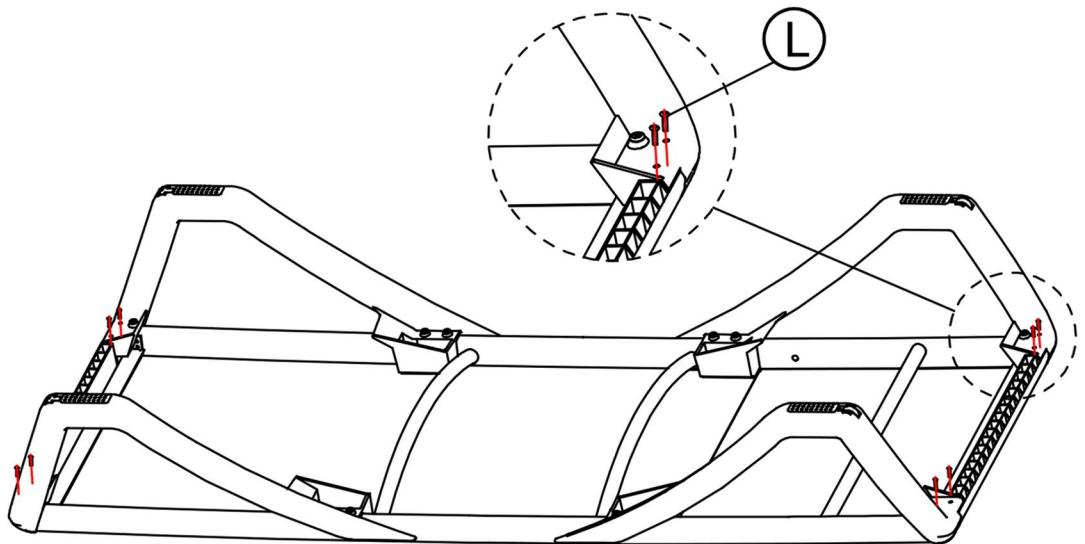


Step 2:

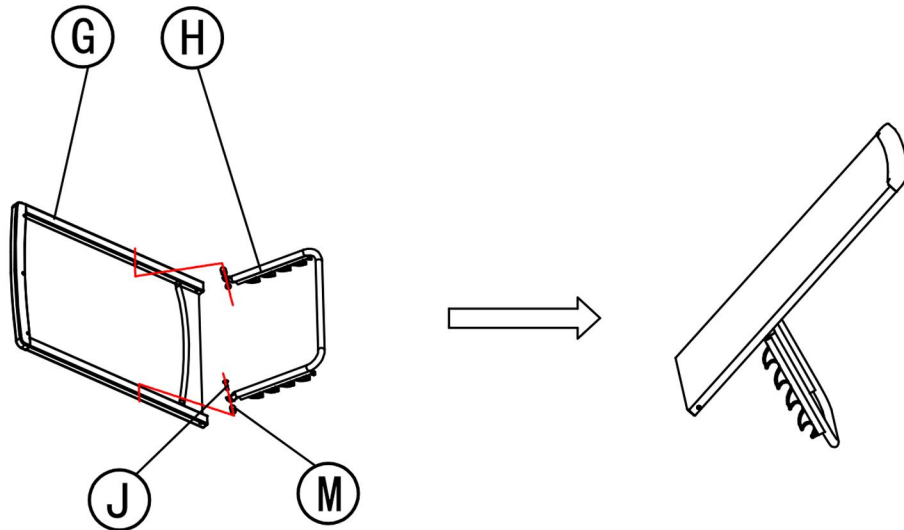
Install Part A to the legs as shown in diagram.



Turning it around, attach part A to the legs using Screws L.



Step 3:
Connect Part H to
Part G using Bolts
J as shown in dia-
gram.



Please note: The Plastic cylinder Part M
must be between Part G and Part H.

Step 4:
Connect Part G to
Part B using Bolts
K as shown in dia-
gram.

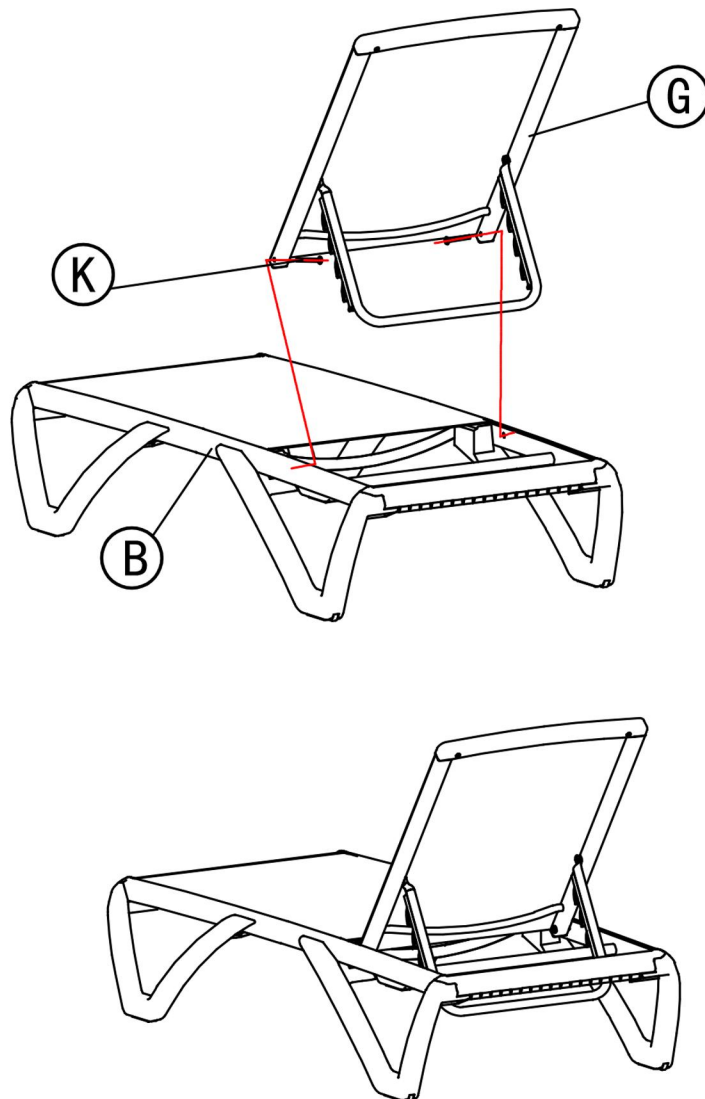


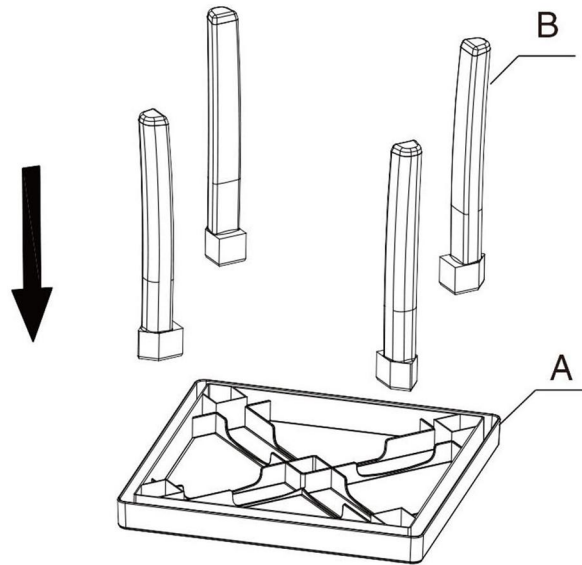


Table Assembly Manual

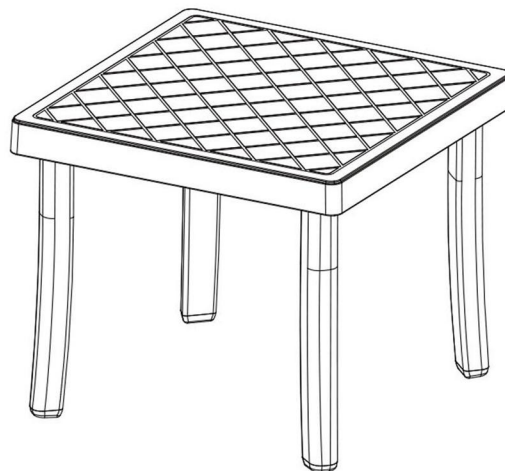
Part list

	A
Table Top	1pcs
	B
Leg	4pcs

Step 1:
Insert Part B(four legs) to Part A(table top).



Step 2:
Set the chair straight.





RESORT COMFORT IN YONR
OWN BACKYARD

Thanks for your purchase.

At domi outdoor living, we believe in our products.

That's why we provide a 12-month warranty and

friendly, easy-to-reach after-sales service. So if you

have any questions about our product and assembly-

, please feel free to contact us. We will be here for you.

Support:  

email: service@domioutdoorliving.com

Please tell us your order ID when contact.

Attach photos of damaged part for instant reply.