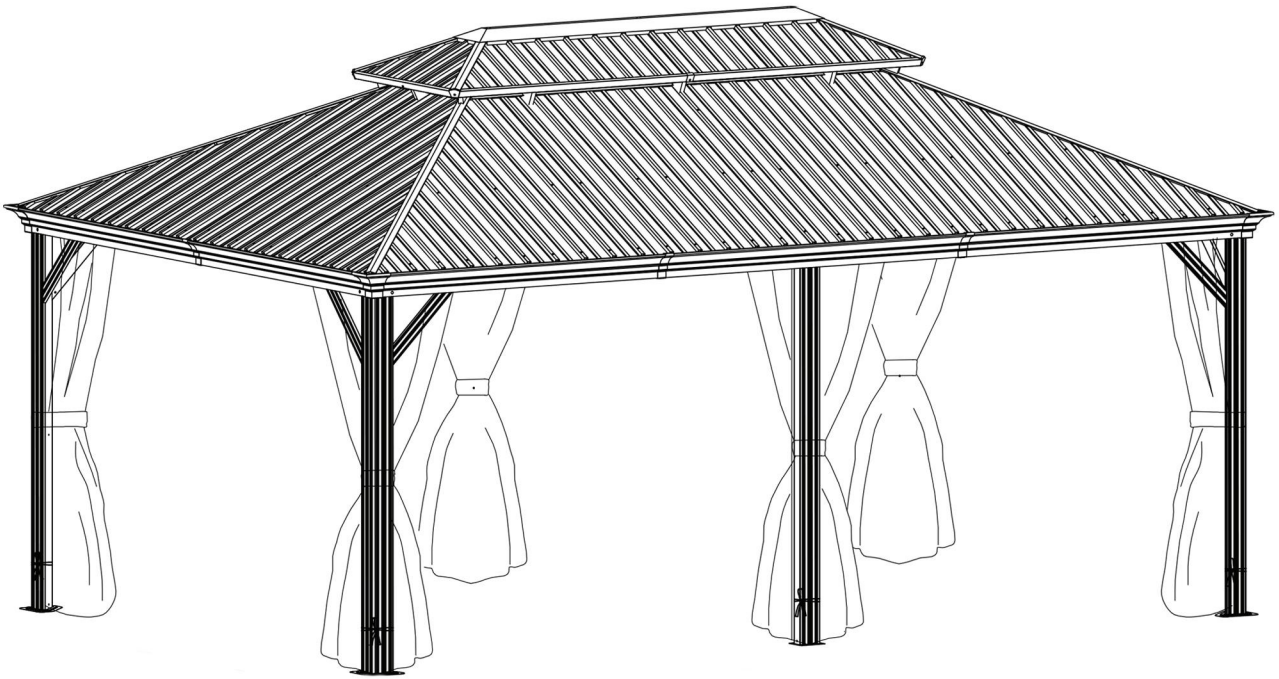




12'×18' HARDTOP GAZEBO
WITH DOUBLE ROOF

ASSEMBLY MANUAL



Missing part? Damaged? Contact us via email at
service@domioutdoorliving.com

READ ALL INSTRUCTIONS BEFORE USE

Warning & Attention

-This gazebo is not a toy. Children are not allowed to assemble or disassemble. Please take care of children, do not let them play around when assemble or disassemble.

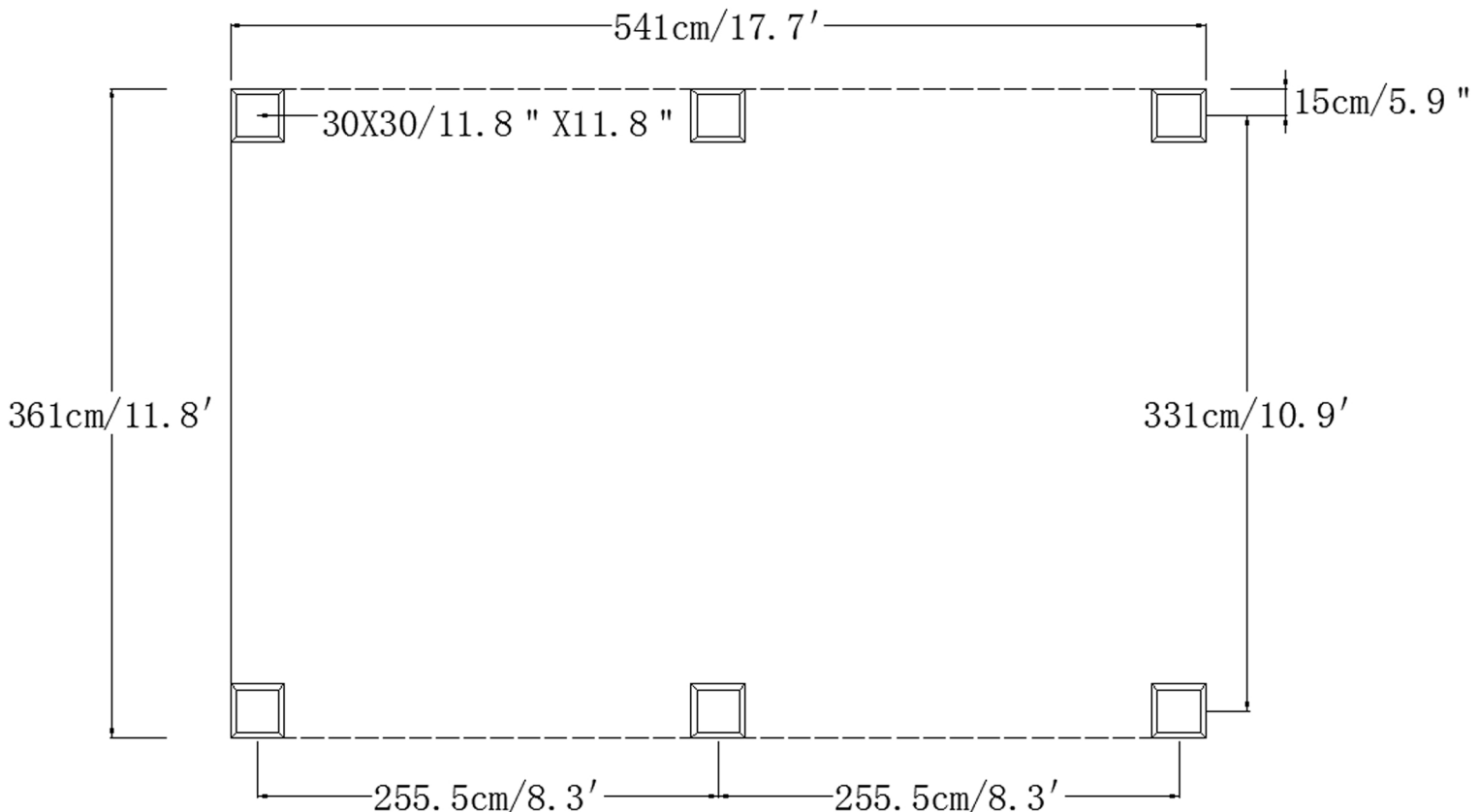
-Adults only for assemble or disassemble this product.



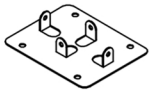











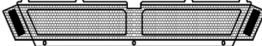














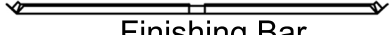

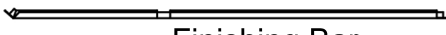
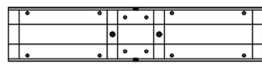
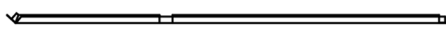
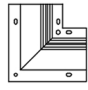


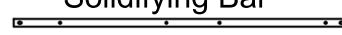
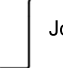


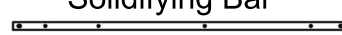

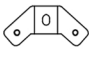


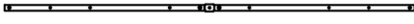

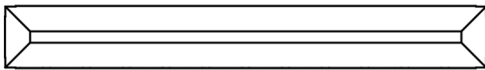
-This product is constructed with heavy duty frame, please do not lean or climb before it finish assembling.

-Even though our hardtop gazebo is sturdy, please do not stand under the gazebo during a lightning storm.

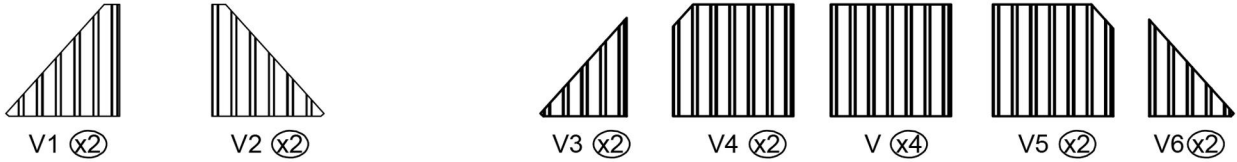
-DO NOT use this gazebo if any parts show signs of instability or damage.

12'x18' ANCHOR BLUEPRINT

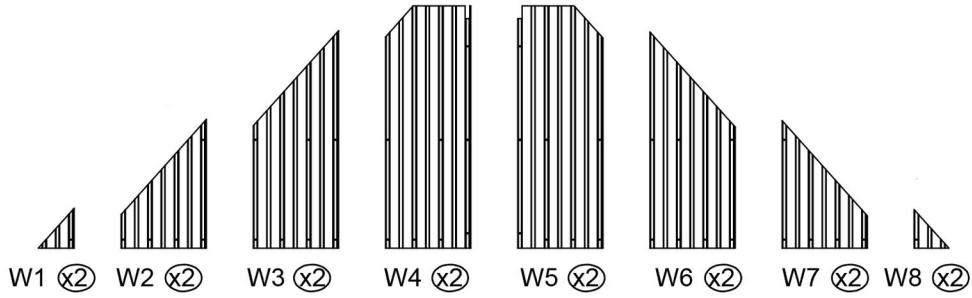


	Pole	A (x4)		Base L (x4)		Base L1 (x2)
	Pole	B (x2)		Corner Roof Bar		M (x4)
	Beam	C (x4)		Roof Bar		N (x2)
	Sidewall Track	C1 (x4)		Roof Bar		N1 (x4)
	Jointer Bar	C2 (x2)		Roof Bar		N2 (x2)
	Jointer Bar	C3 (x2)		Finishing Bar		P (x2)
	Beam	D (x4)		Net Frame		P1 (x2)
	Sidewall Track	D1 (x4)		Finishing Bar		Q1 (x2)
	Jointer Bar	D2 (x2)		Finishing Bar		Q2 (x2)
	Jointer Bar	D3 (x2)		Net Frame		Q3 (x2)
	Beam	E (x2)		Net Frame		Q4 (x2)
	Sidewall Track E1a (x2)			Finishing End R (x8)		Finishing End R1 (x2)
	Sidewall Track E1b (x2)			Spacer S (x148)		
	Jointer Bar E2a (x2)			Finishing Bar T (x2)		
	Jointer Bar E2b (x2)			Finishing Bar T1 (x2)		
	Union Bar F (x6)			Finishing Bar T2 (x2)		
	Corner Cover G (x4)			Solidifying Bar U1 (x2)		
	Joint Cover H (x6)			Solidifying Bar U2 (x2)		
	Joint Cover H1 (x6)			Solidifying Bar U3 (x2)		
	Joint Cover H2 (x1)			Solidifying Bar U4 (x2)		
	Corner Solidifying Bar J1 (x4)			Solidifying Bar U5 (x4)		Solidifying Bar U6 (x6)
	Corner Solidifying Bar J2 (x4)			Solidifying Bar U7 (x2)		
	Inside Roof Connector K (x1)					
	Outside Roof Connector K1 (x1)					

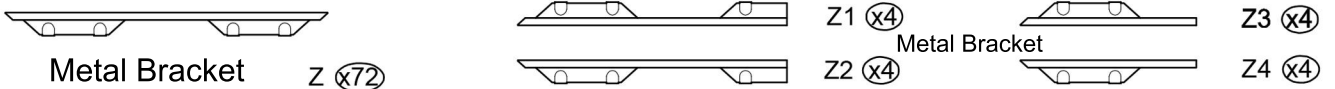
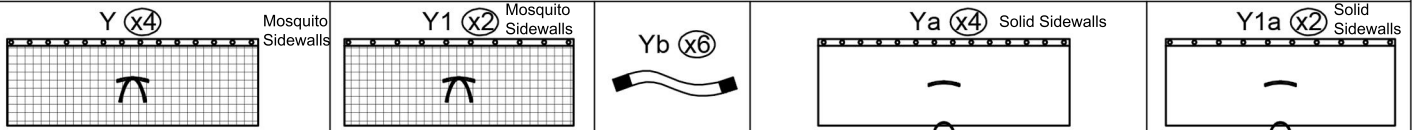
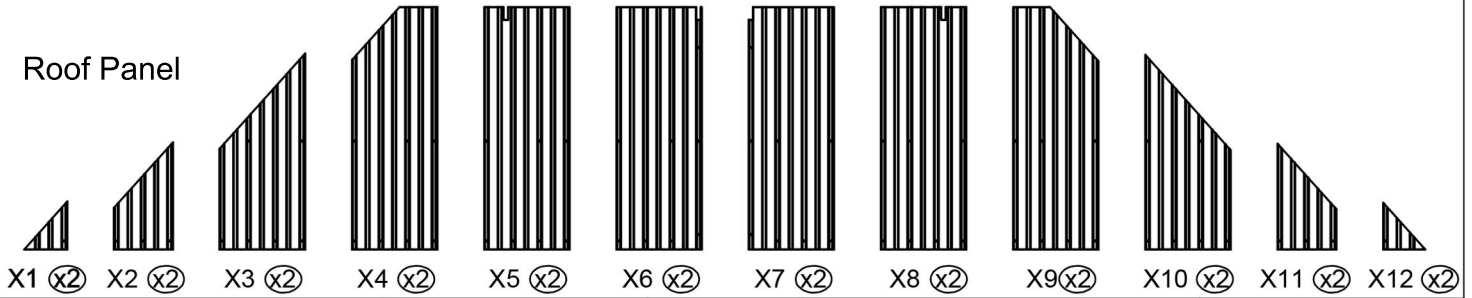
Roof Panel

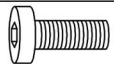
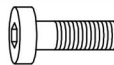




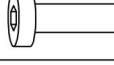
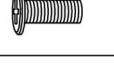


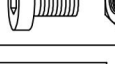


Roof Panel



Roof Panel



	M6x16	Screws	1# x287+3
	M6x20	Screws	2# x28+2
		Screws	3# x16+2
		Hook	4# x144
	M6x28	Screws	5# x92+3
	M6x45	Screws	6# x8+1
	M6x50	Screws	7# x44+2
	M5x16	Screws	8# x6+1
	ST4.8x13	Screws	9# x28+2
	M6x25	Screws	10# x4+1
	M6x10	Screws	11# x16+1



Step 1:
Connect Part A and Part L using
#1 screws.

A (x4)

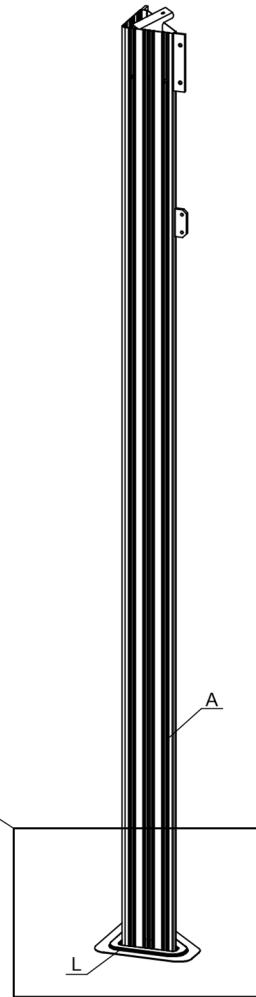
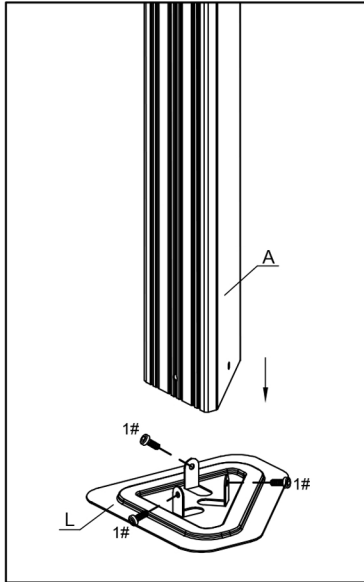
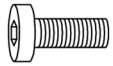


L (x4)



1#
x12

M6x16

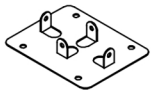


Connect Part B and Part L using #1
screws.

B (x2)

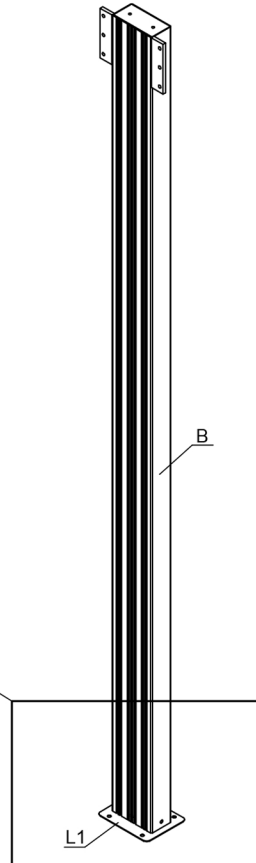
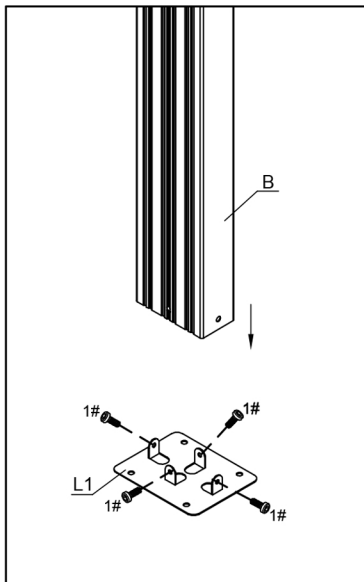
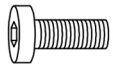


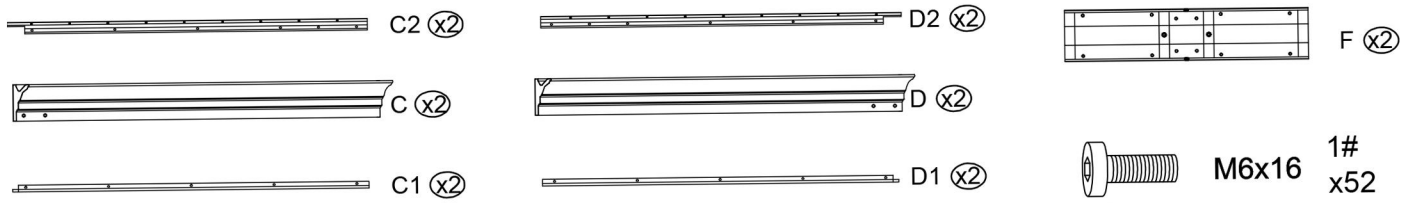
L1 (x2)



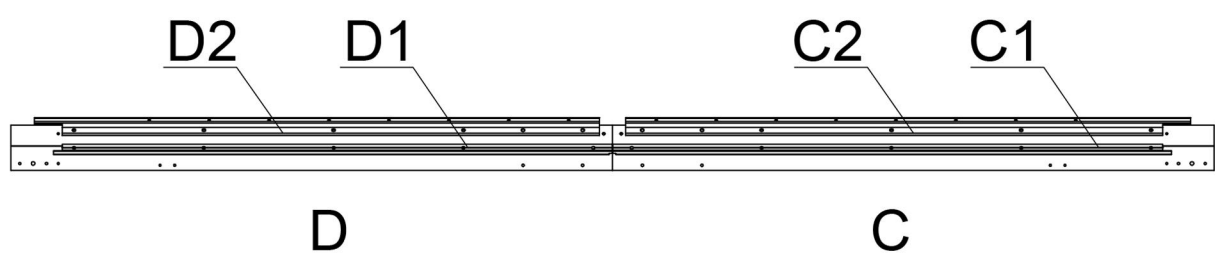
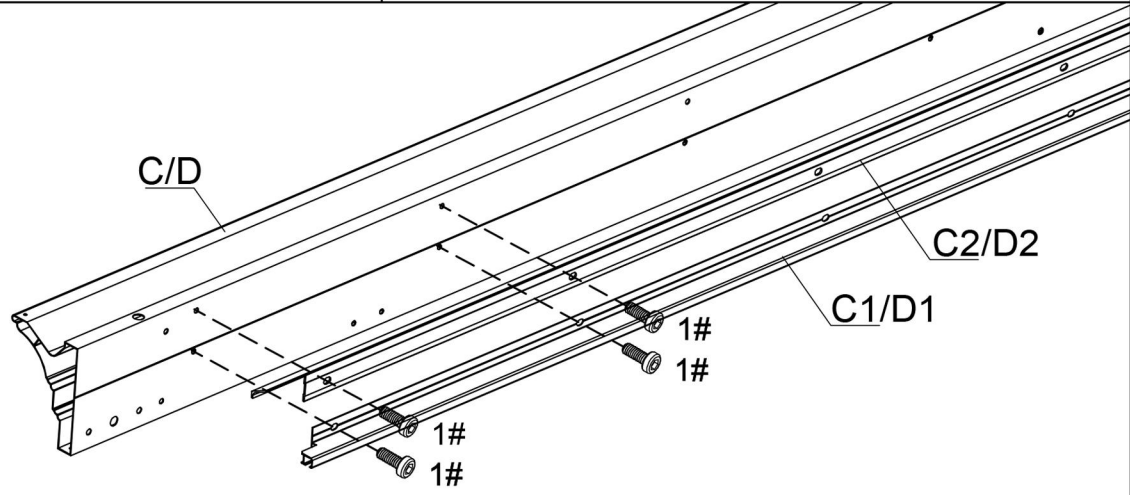
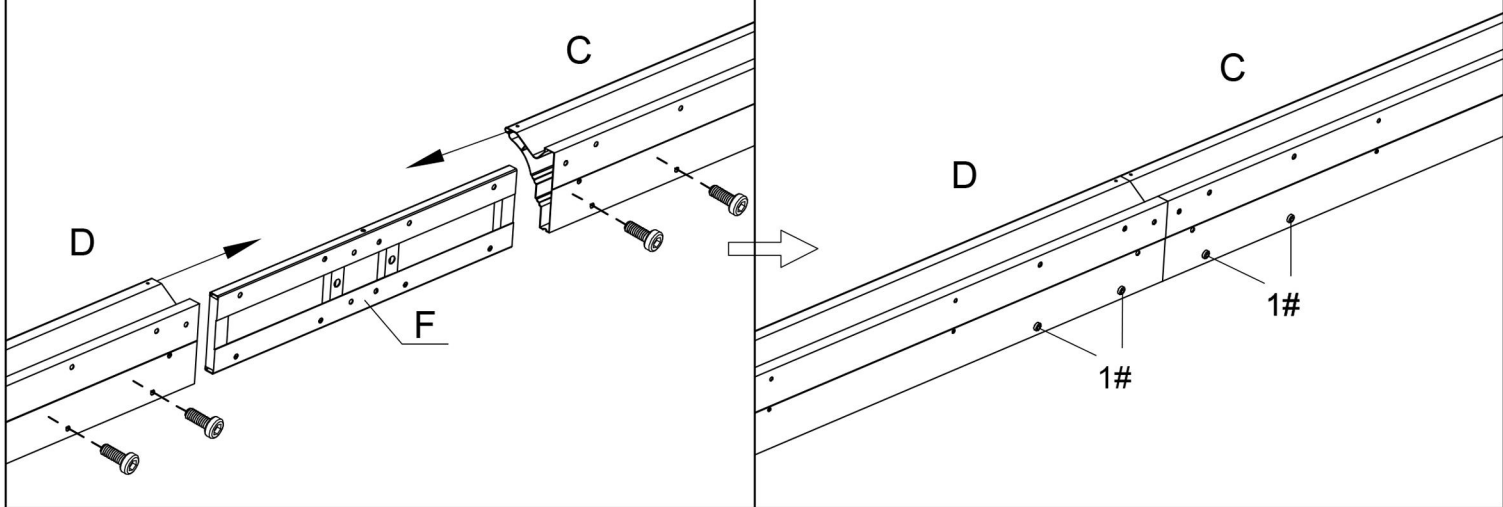
1#
x8

M6x16

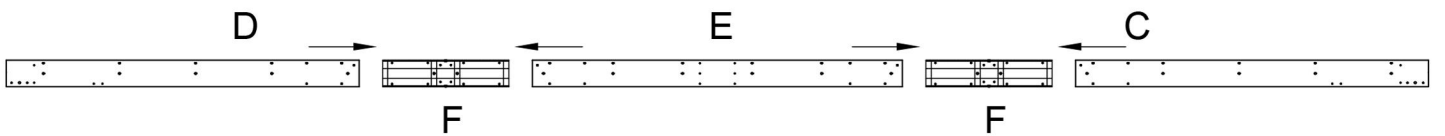
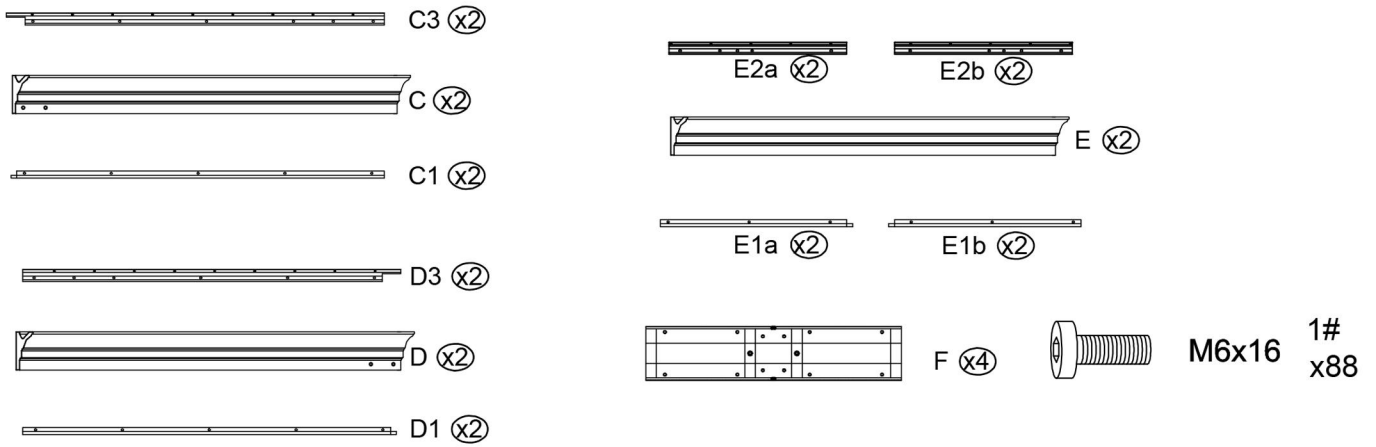




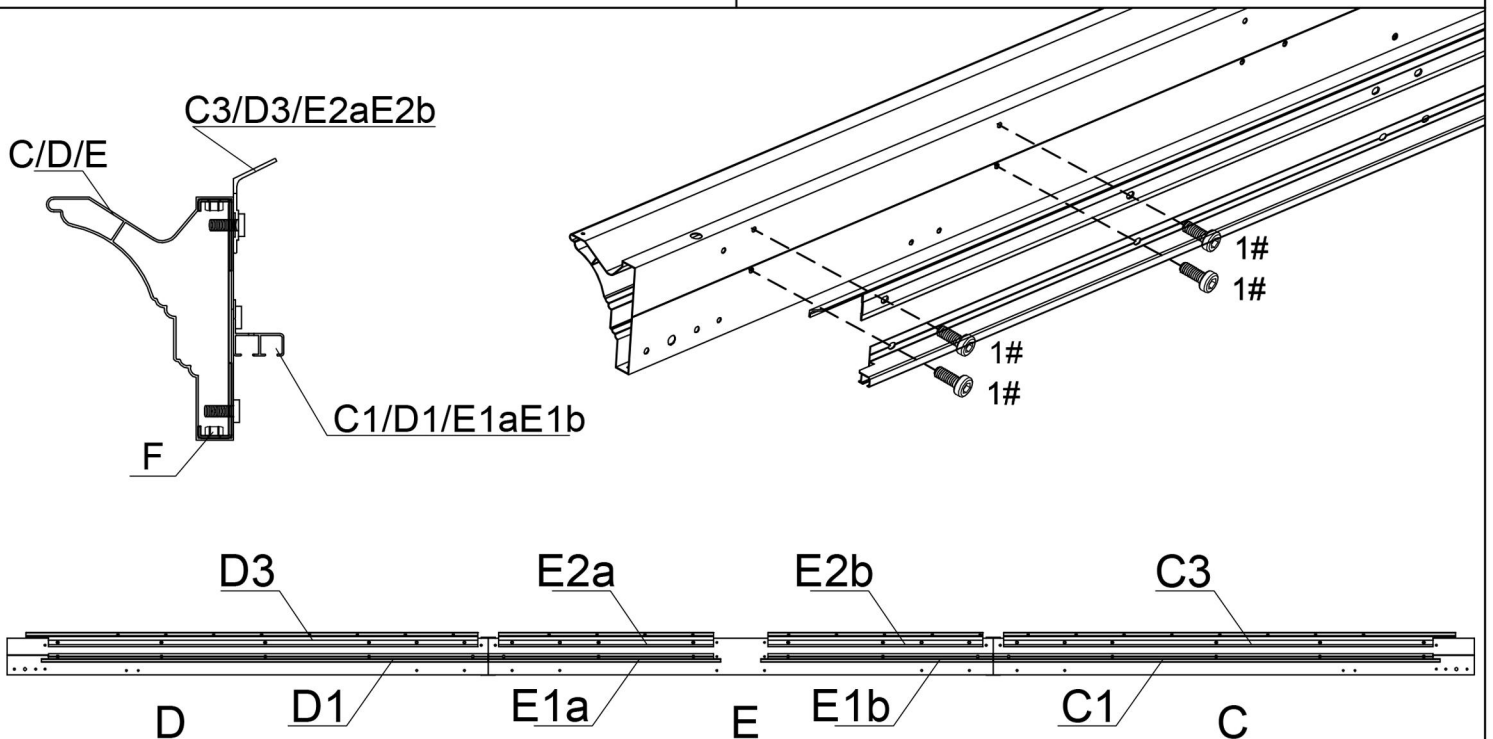
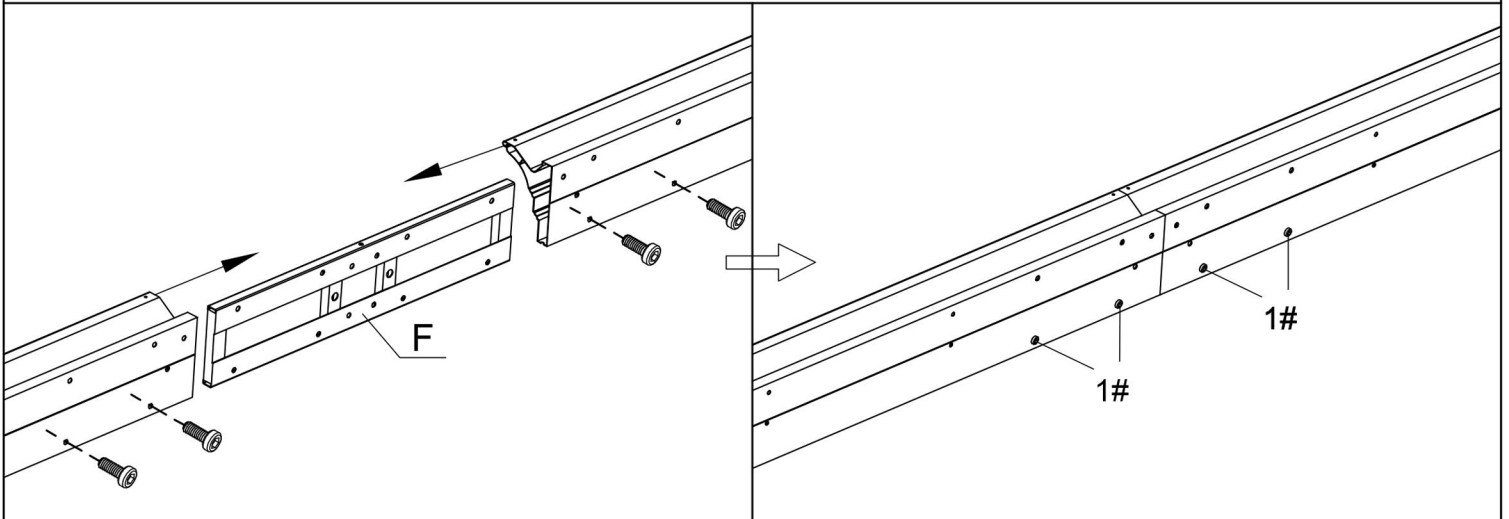
Step 2: Connect Part C(Beam) and Part D(Beam) with Part F(Union Bar) using Screws 1#.



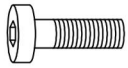
Assemble Part C1 and D1(Sidewall Track),Part C2 and D2(Jointer Bar) to the beam(C/D) using screws 1# as shown in the diagram.



Step 3: Connect Part D and Part E, Part E and Part C with Part F(Union Bar) using Screws 1#.

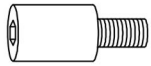


Assemble Part C1 and D1(Sidewall Track),Part D3 and C3,E2a and E2b(Jointer Bar) to the beam(C/D) using screws 1# as shown in the diagram.

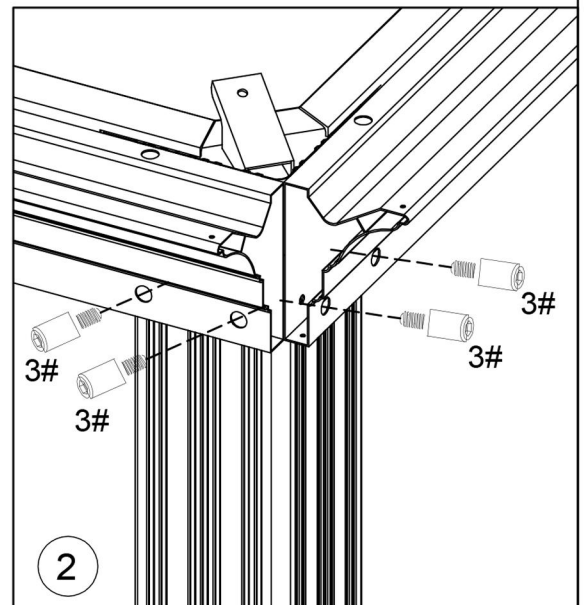
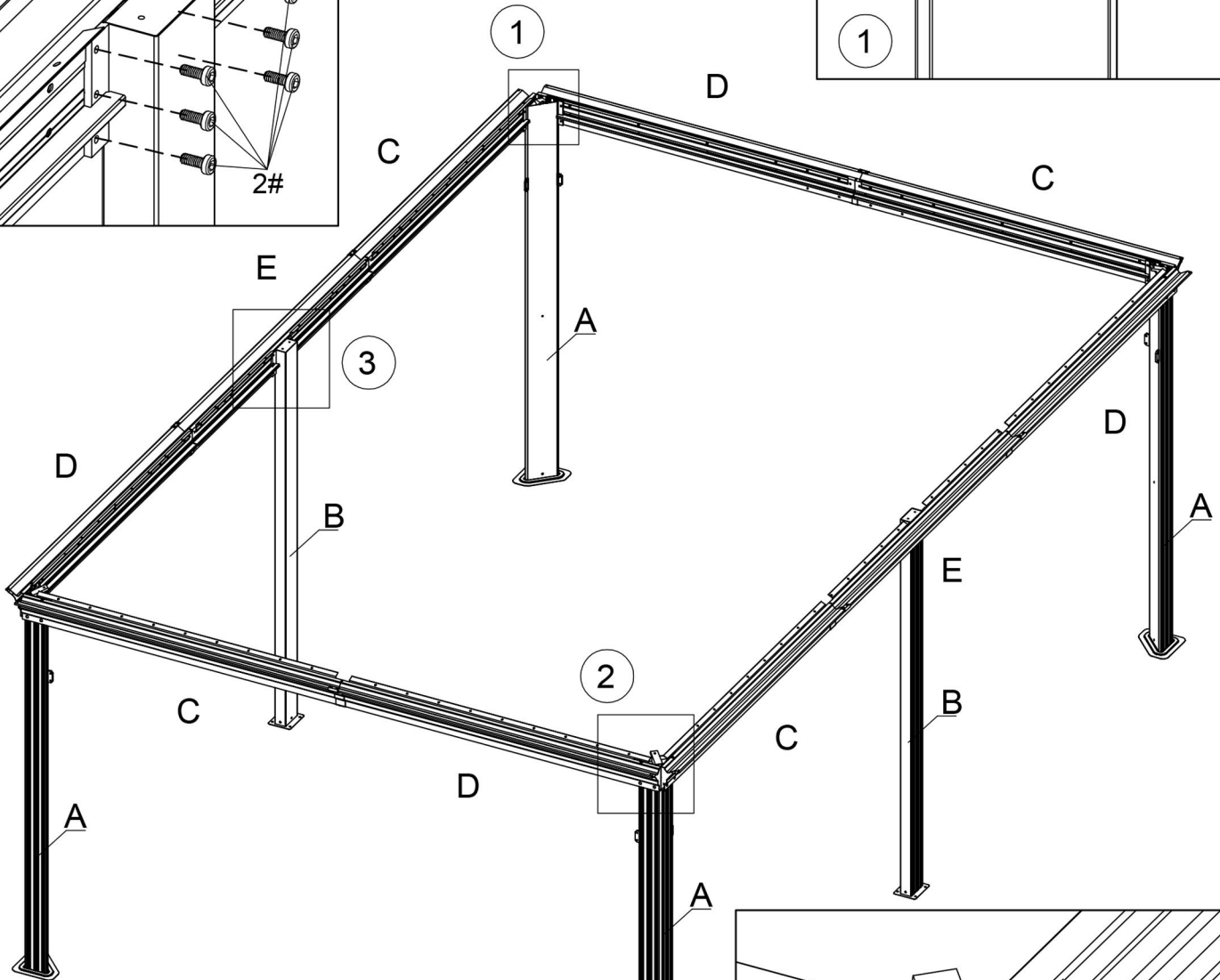
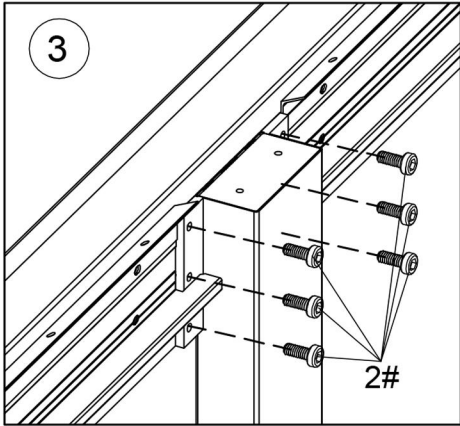
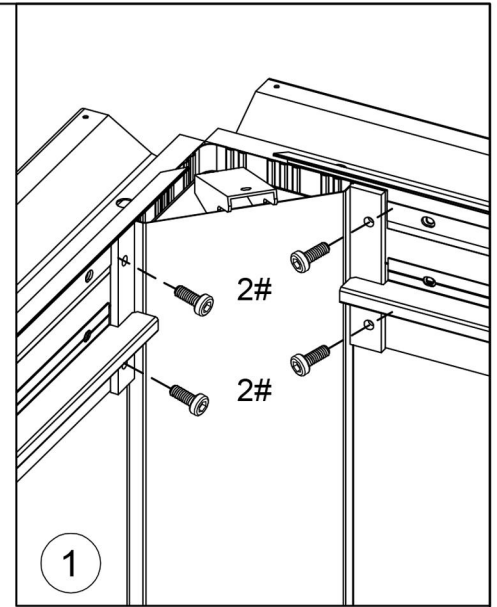


M6x20

2#
x28



3#
x16



Step 4:

Connect Poles and Beams together with Screws(2#&3#).

Screws #2 for Marked ① and ③.

Screws #3 for Marked ②.

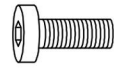
Replicate six times.



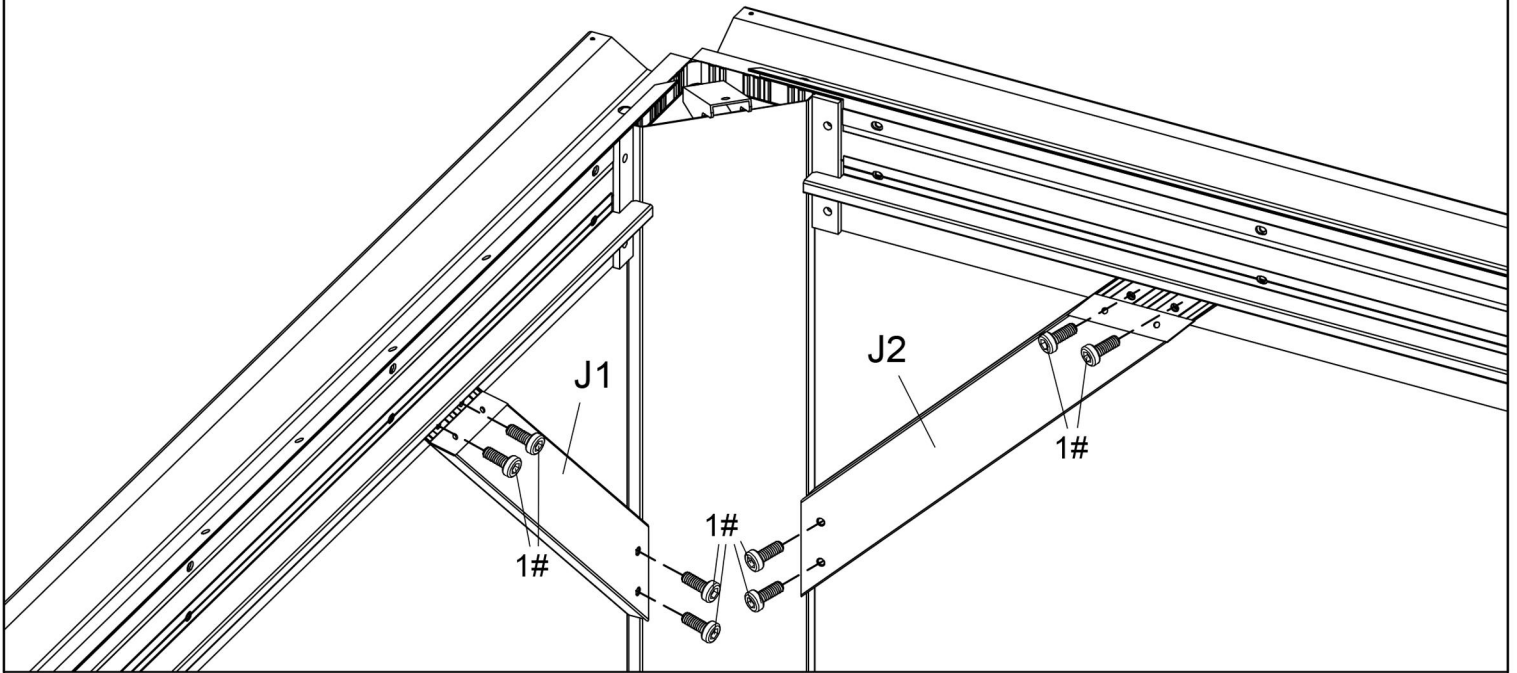
J1 (x4)



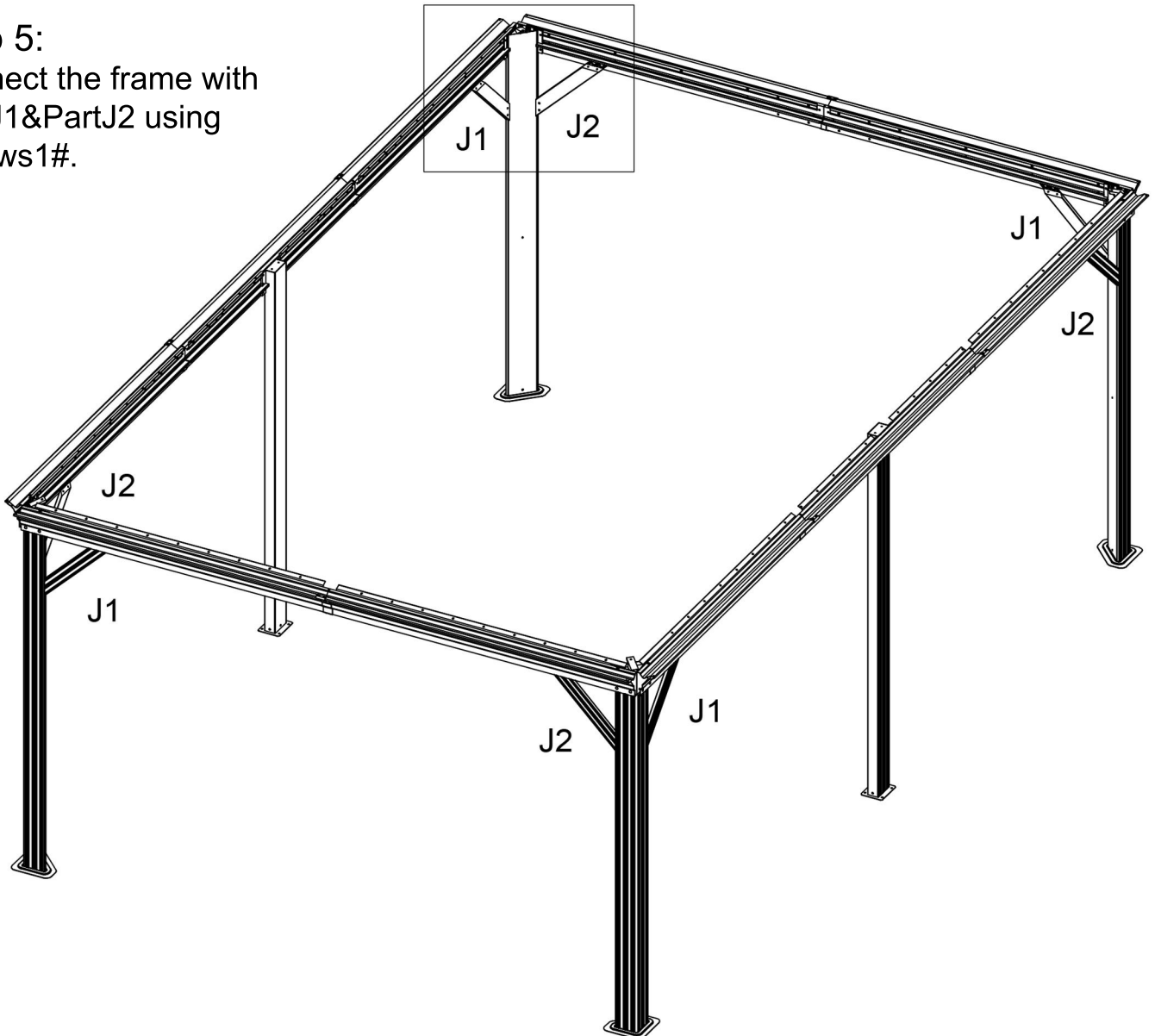
J2 (x4)



M6x16 1#
x32



Step 5:
Connect the frame with
Part J1 & Part J2 using
Screws 1#.





G (x4)



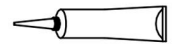
H (x6)



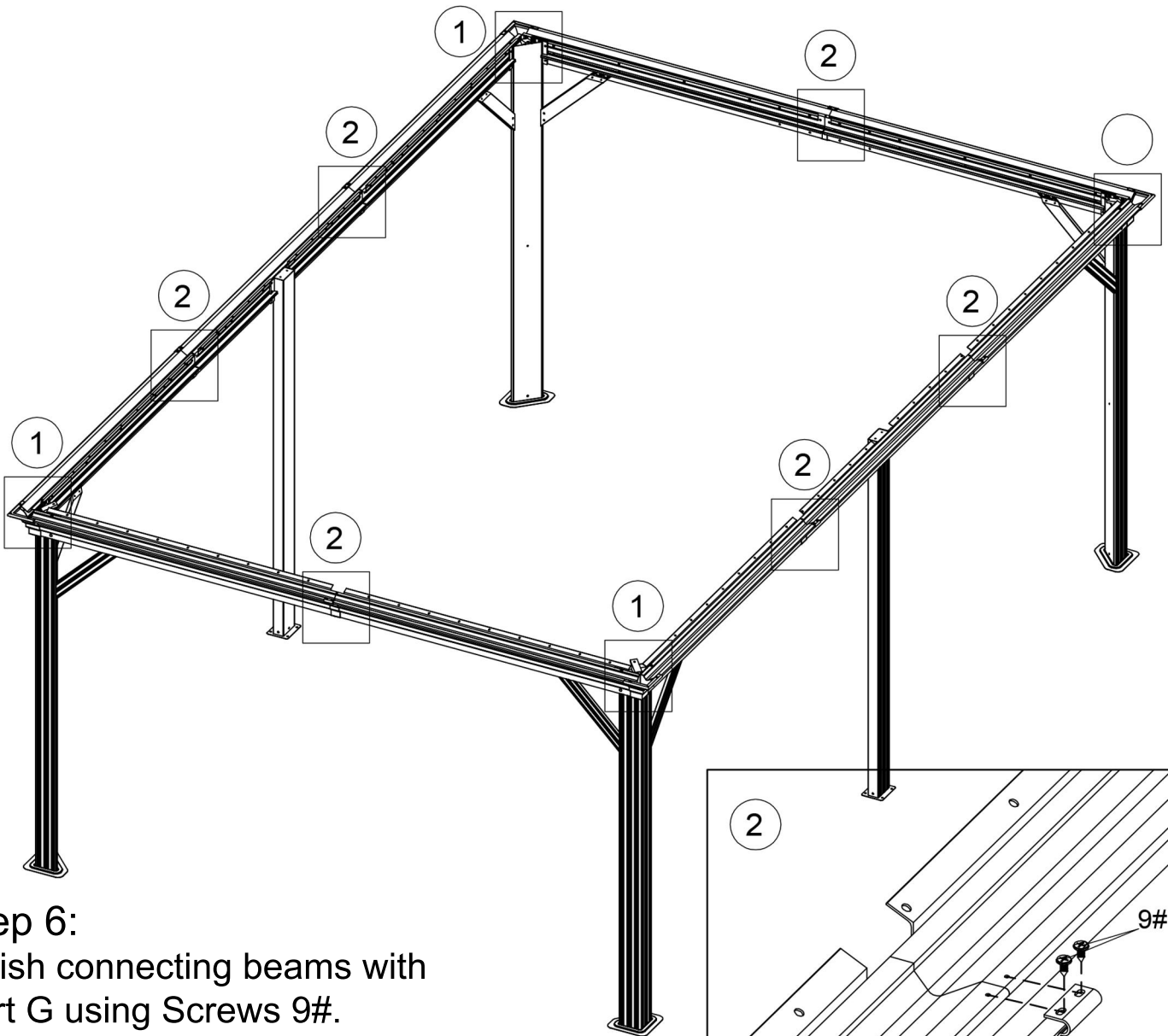
M5x16 8# x6



ST4.8x13 9# x28



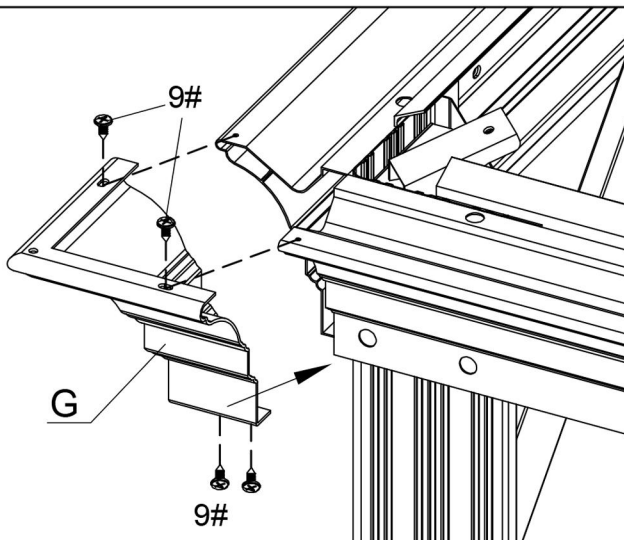
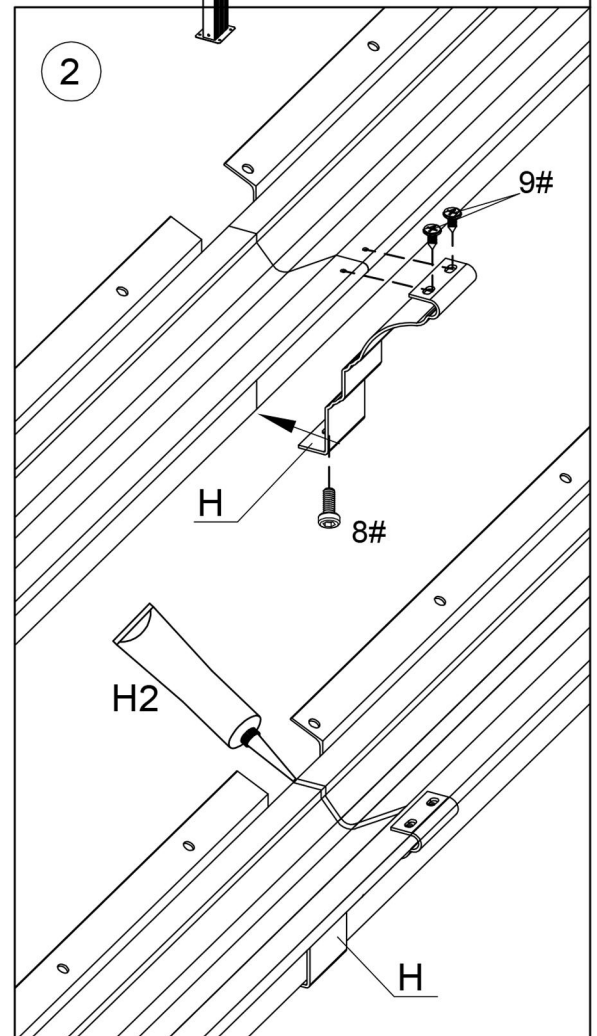
H2 (x1)



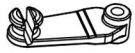
Step 6:

Finish connecting beams with Part G using Screws 9#.

Affix middle beams using Part H with Screws 9# and Screws 8#.



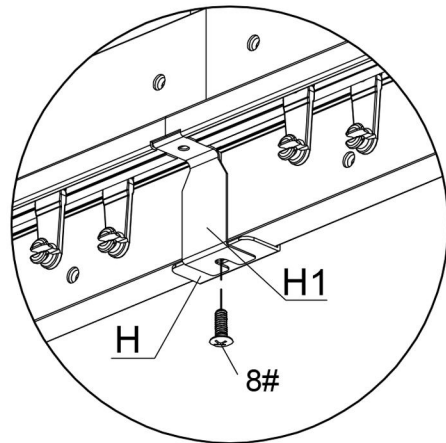
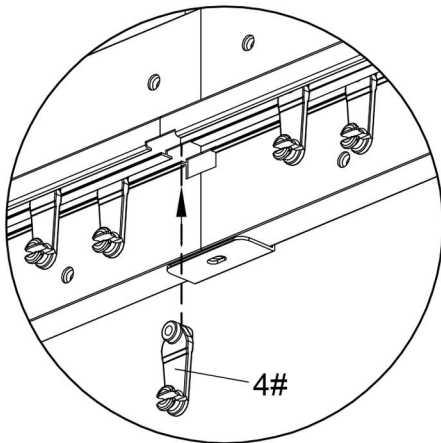
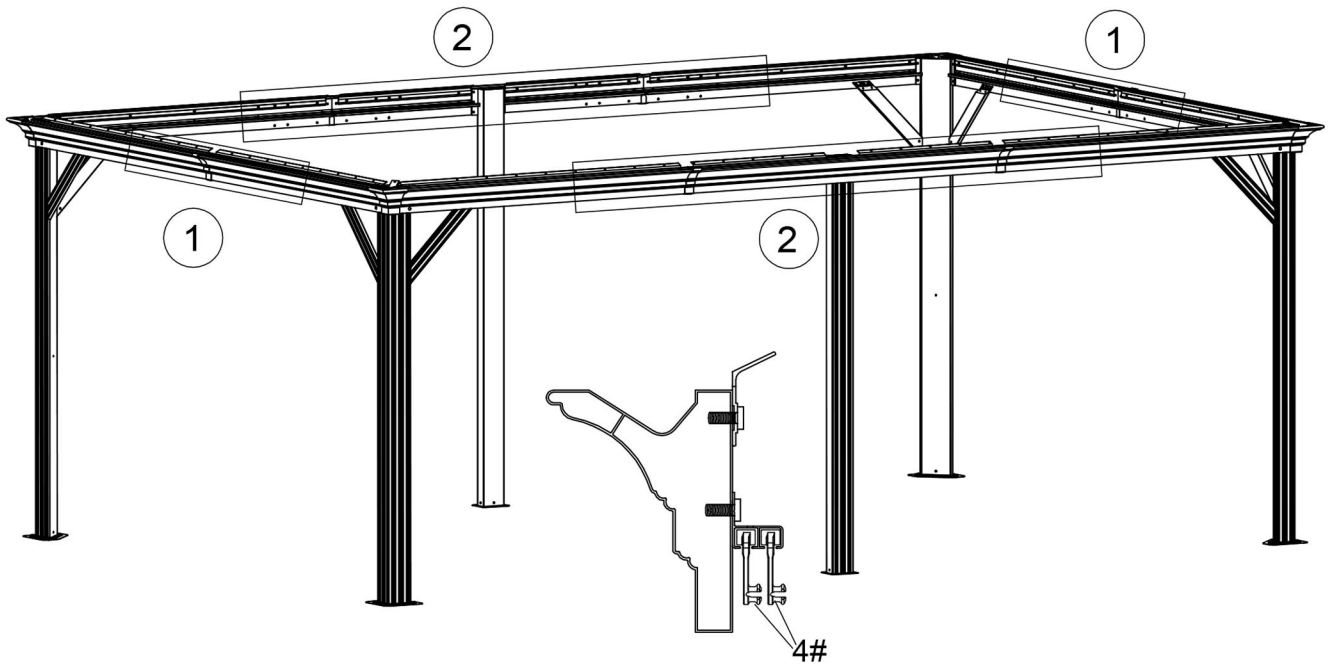
1



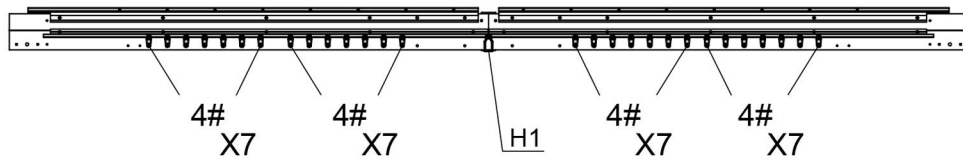
4#
x144



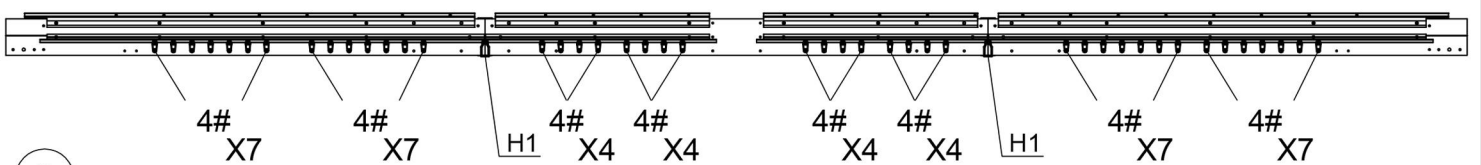
H1 (x6)



Step 7: Put Hooks on Sidewall Track as shown in the diagram.

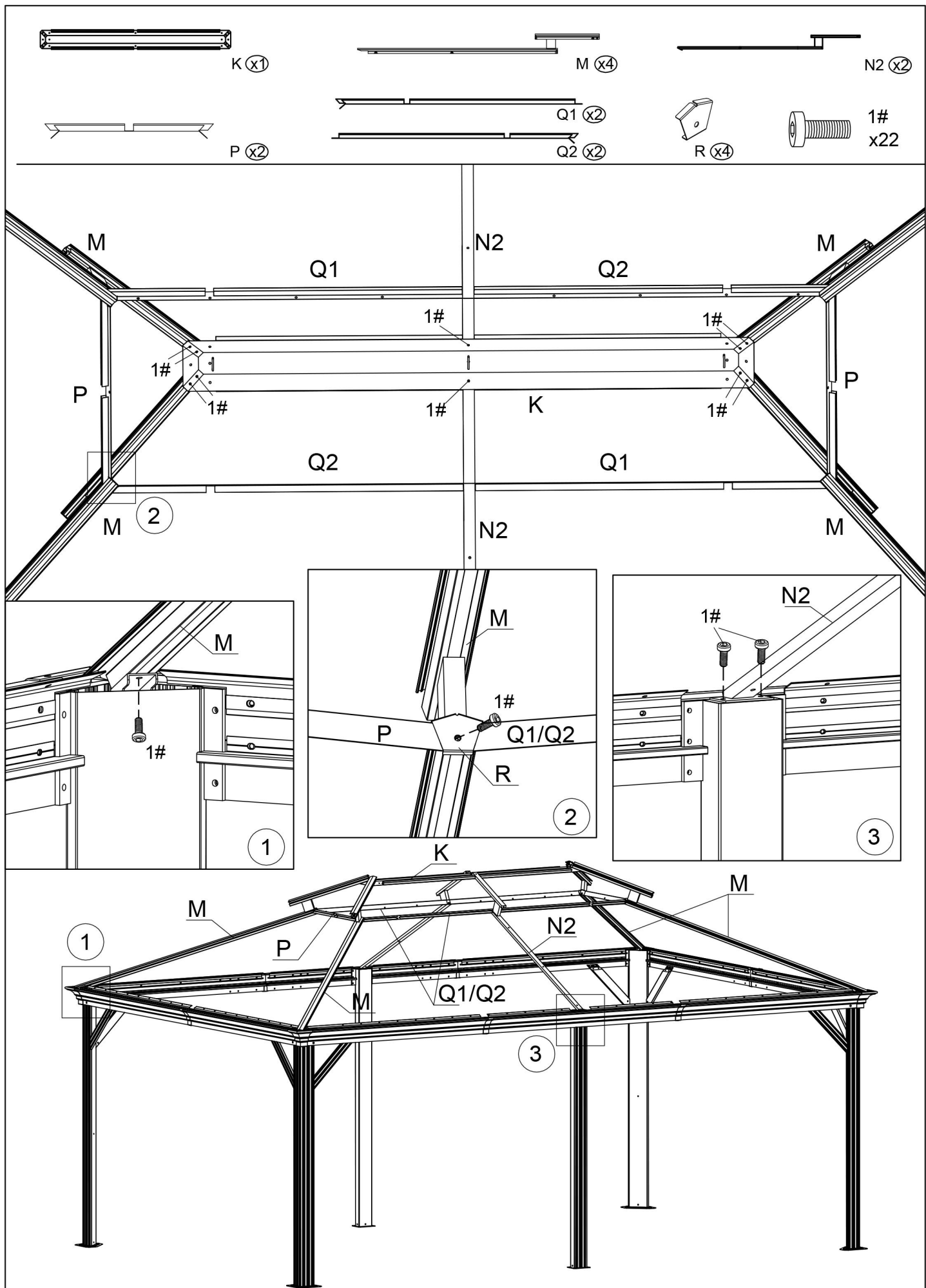


1

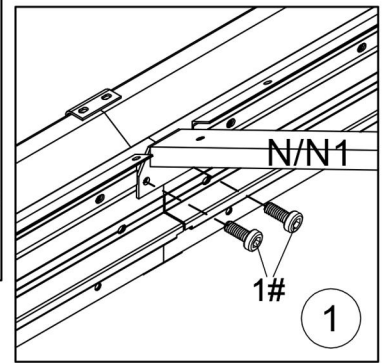
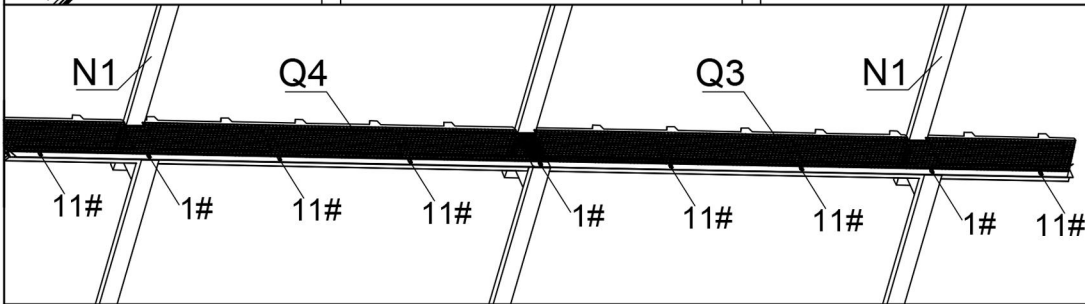
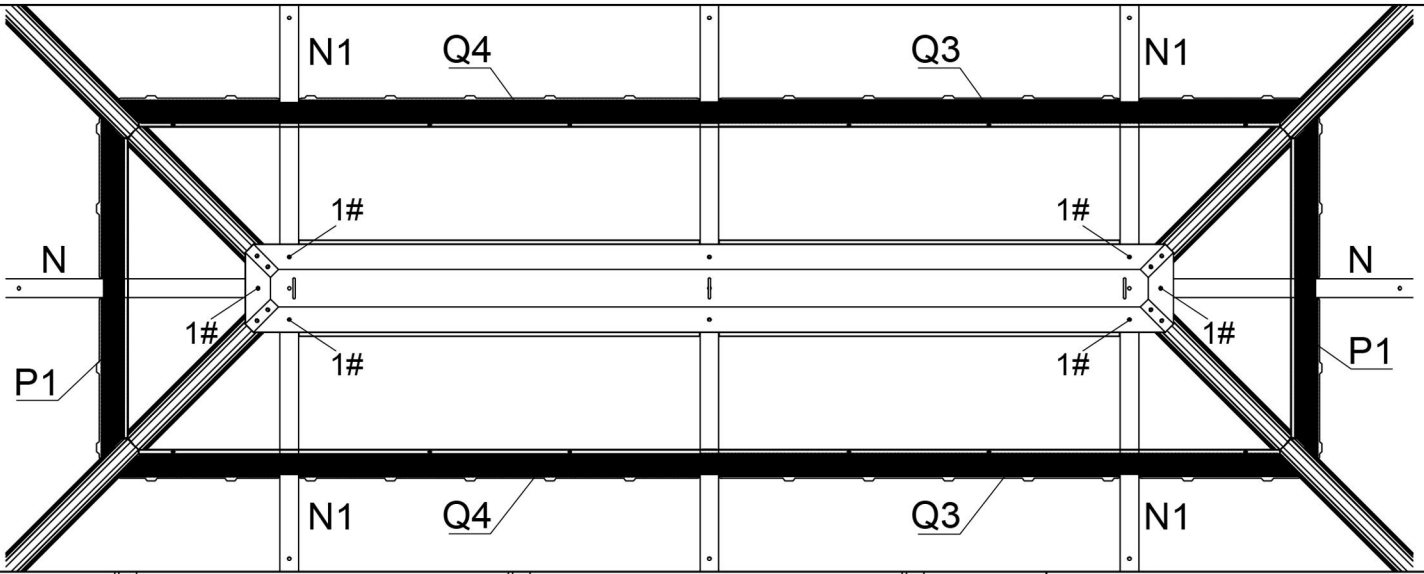
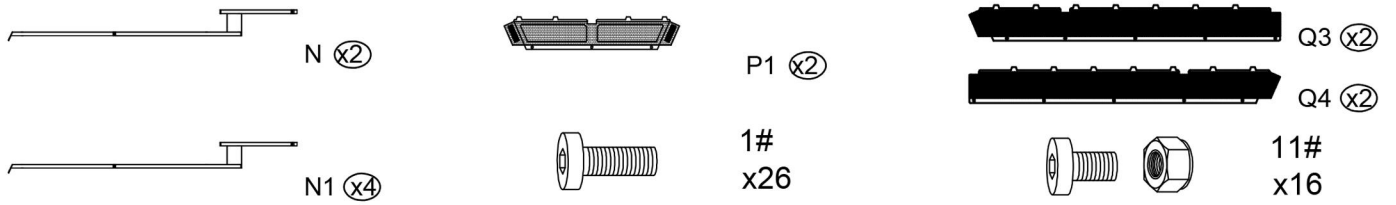


2

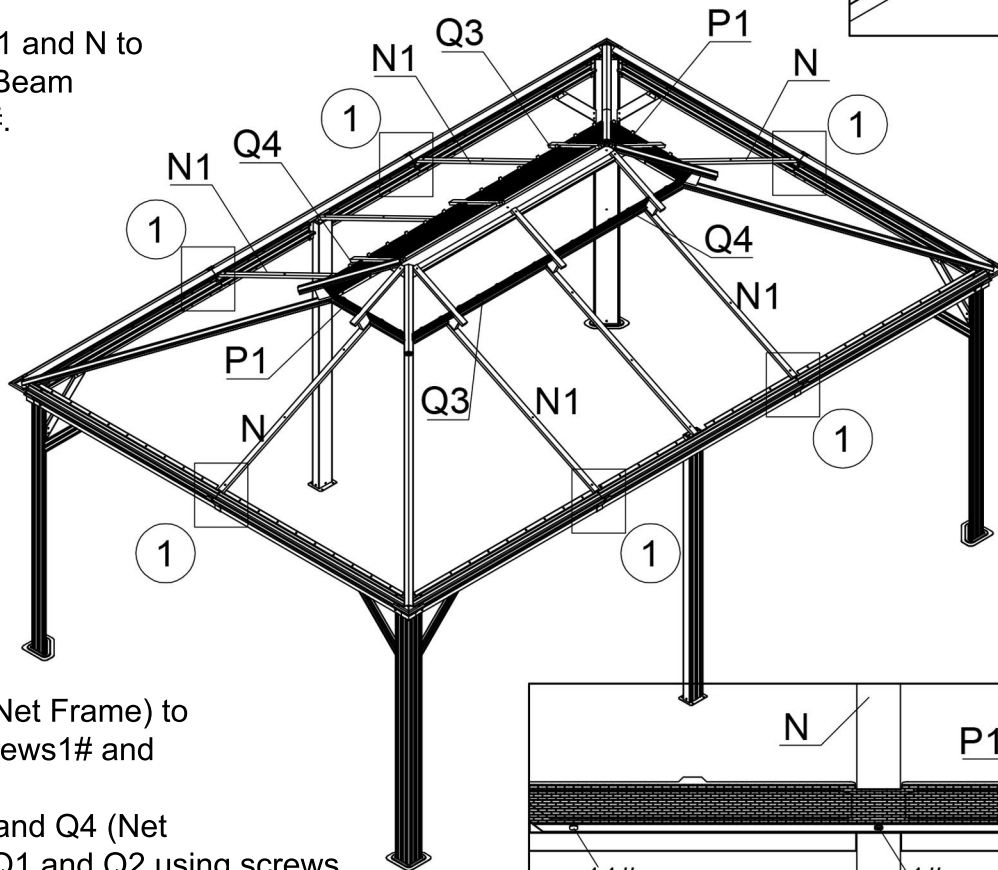
After completing the hook track, lock them with H1 using screws 8#.



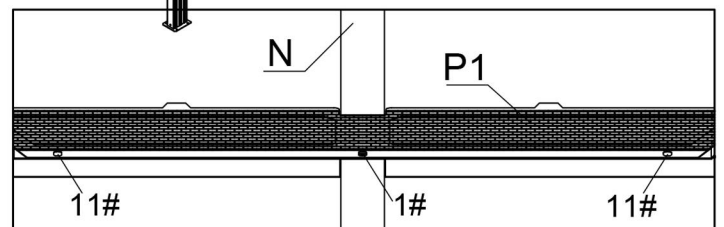
Step 8: Connect Part M to Part K(Inside Roof Connector) and the Beam using Screws1#.
 Connect Part N2 to Part K and the Beam using Screws1#.
 Connect Part Q1,Q2 and Part P to Part M and Part N2 with Part R using screws1#.

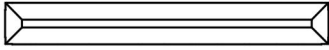


Connect Part N1 and N to Part K and the Beam using Screws 1#.

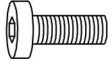


Step 9:
 Attach Part P1(Net Frame) to Part P using screws 1# and screws 11#.
 Attach Part Q3 and Q4 (Net Frame) to Part Q1 and Q2 using screws 1# and 11#.

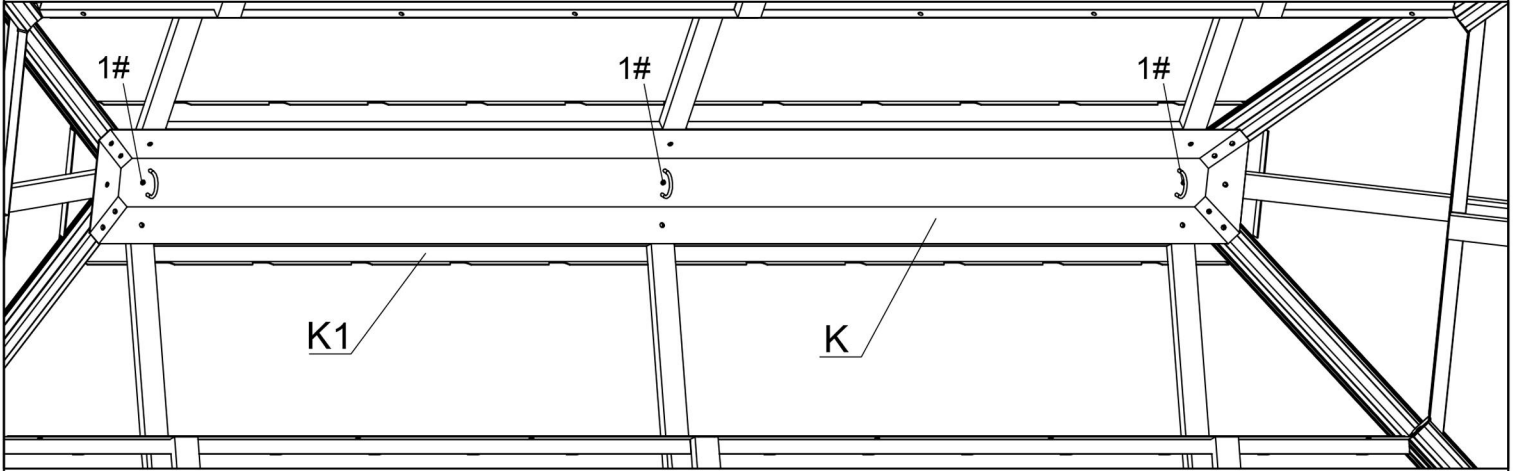




K1 (x1)

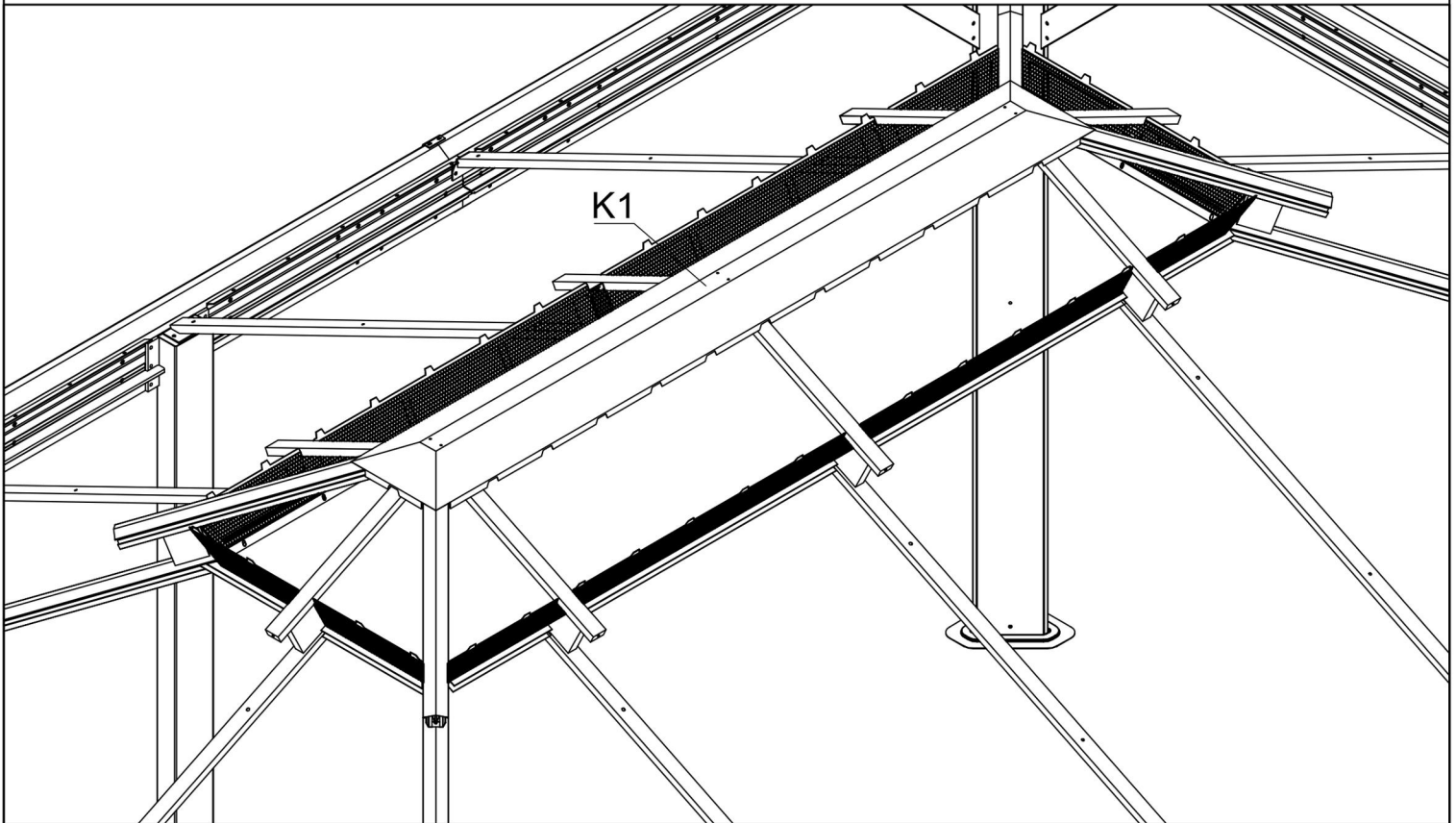


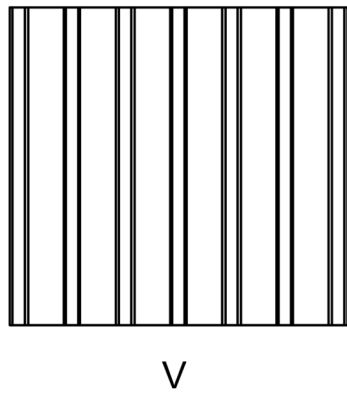
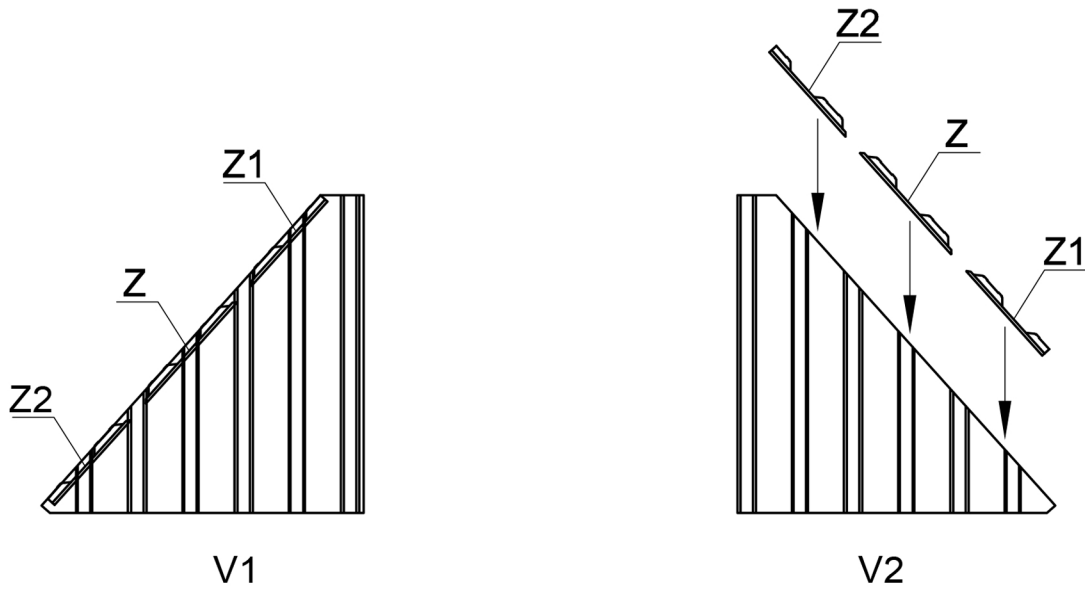
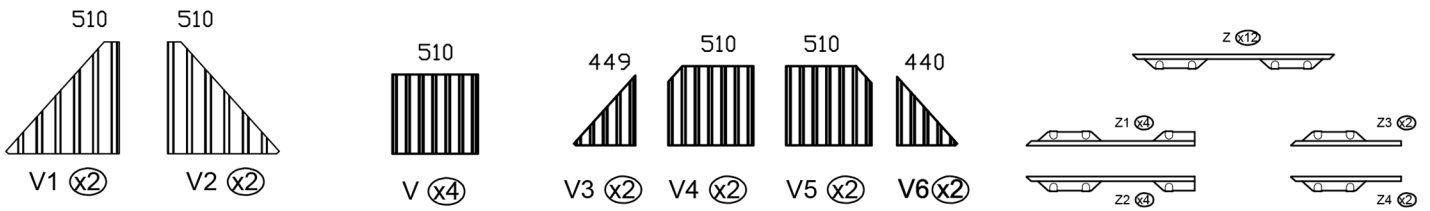
1#
x3



Step 10:

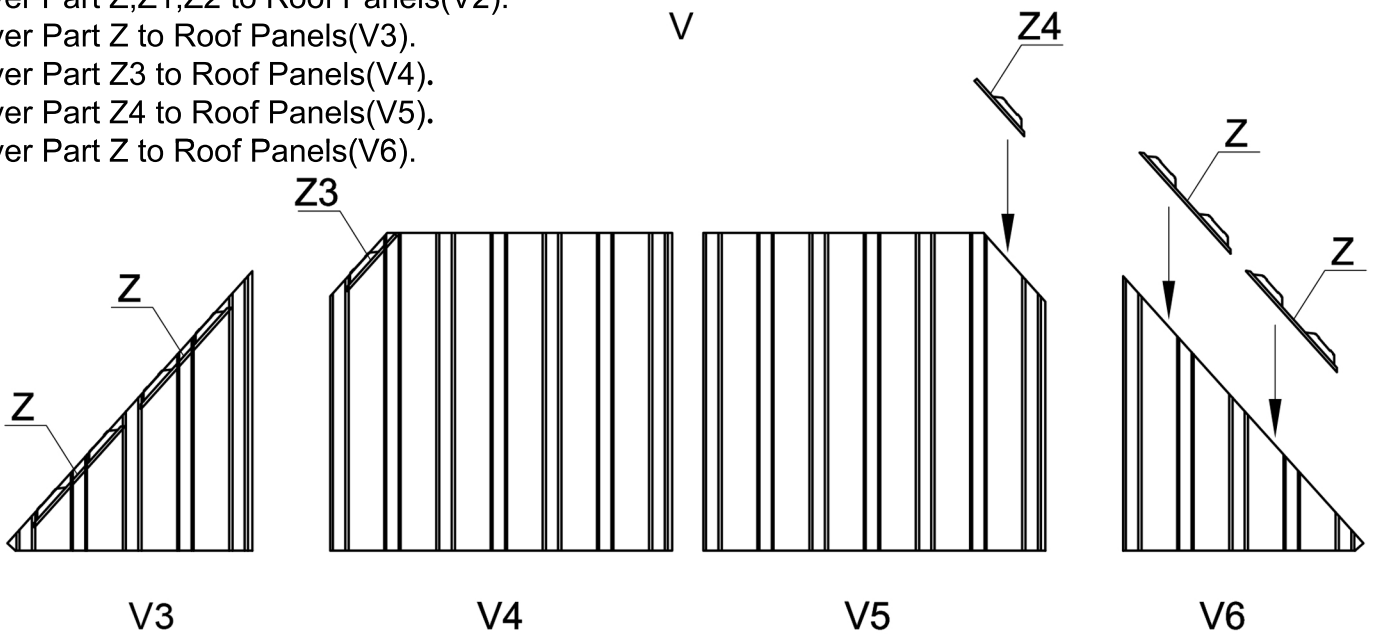
Connect Part K1 (Outside Roof Connector) to Part K (Inside Roof Connector) using screw 1#.

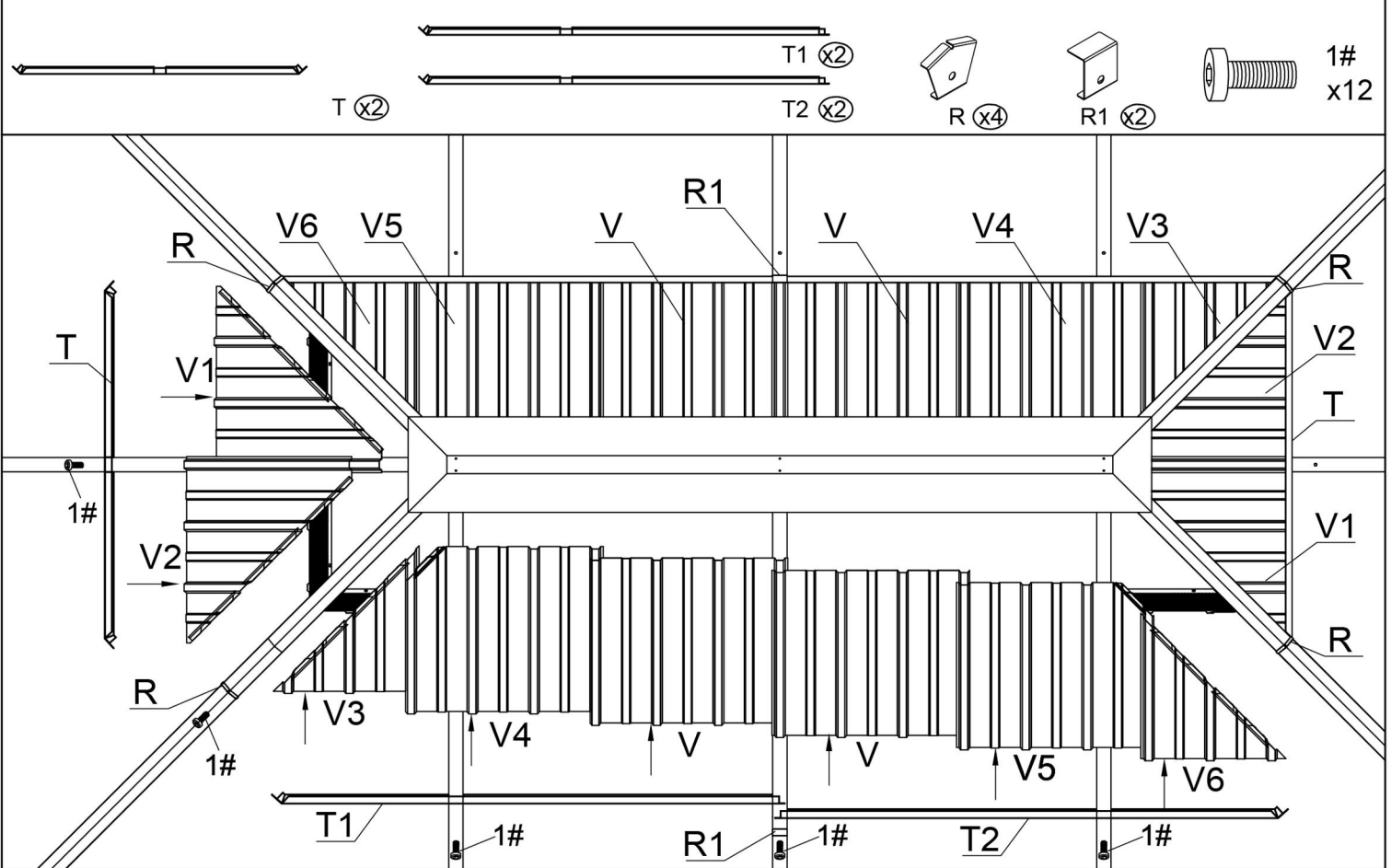




Step11:

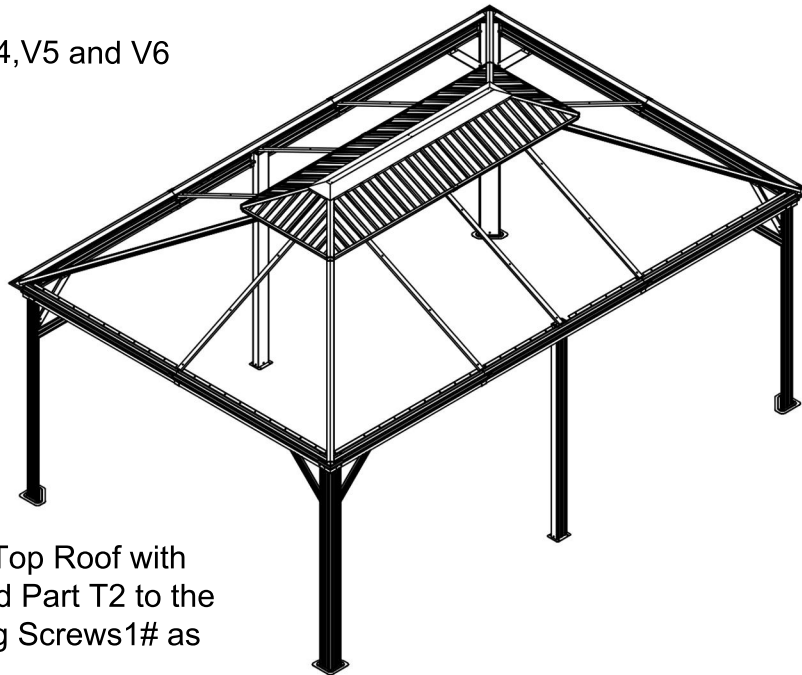
- Cover Part Z,Z1,Z2 to Roof Panels(V1).
- Cover Part Z,Z1,Z2 to Roof Panels(V2).
- Cover Part Z to Roof Panels(V3).
- Cover Part Z3 to Roof Panels(V4).
- Cover Part Z4 to Roof Panels(V5).
- Cover Part Z to Roof Panels(V6).



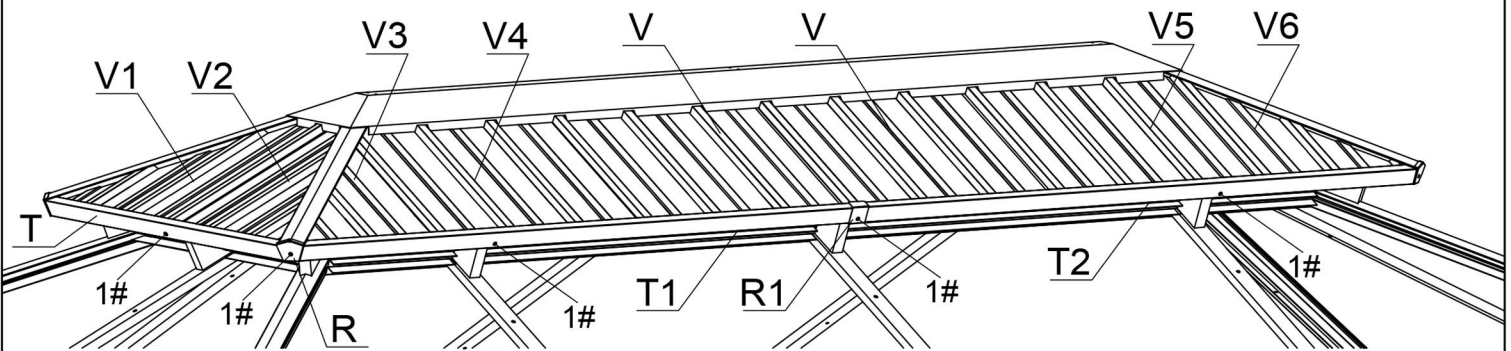


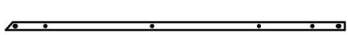
Step 12:


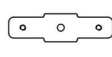

Push Part V1,V2,V3,V4,V5 and V6 to the top Roof.

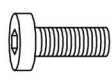


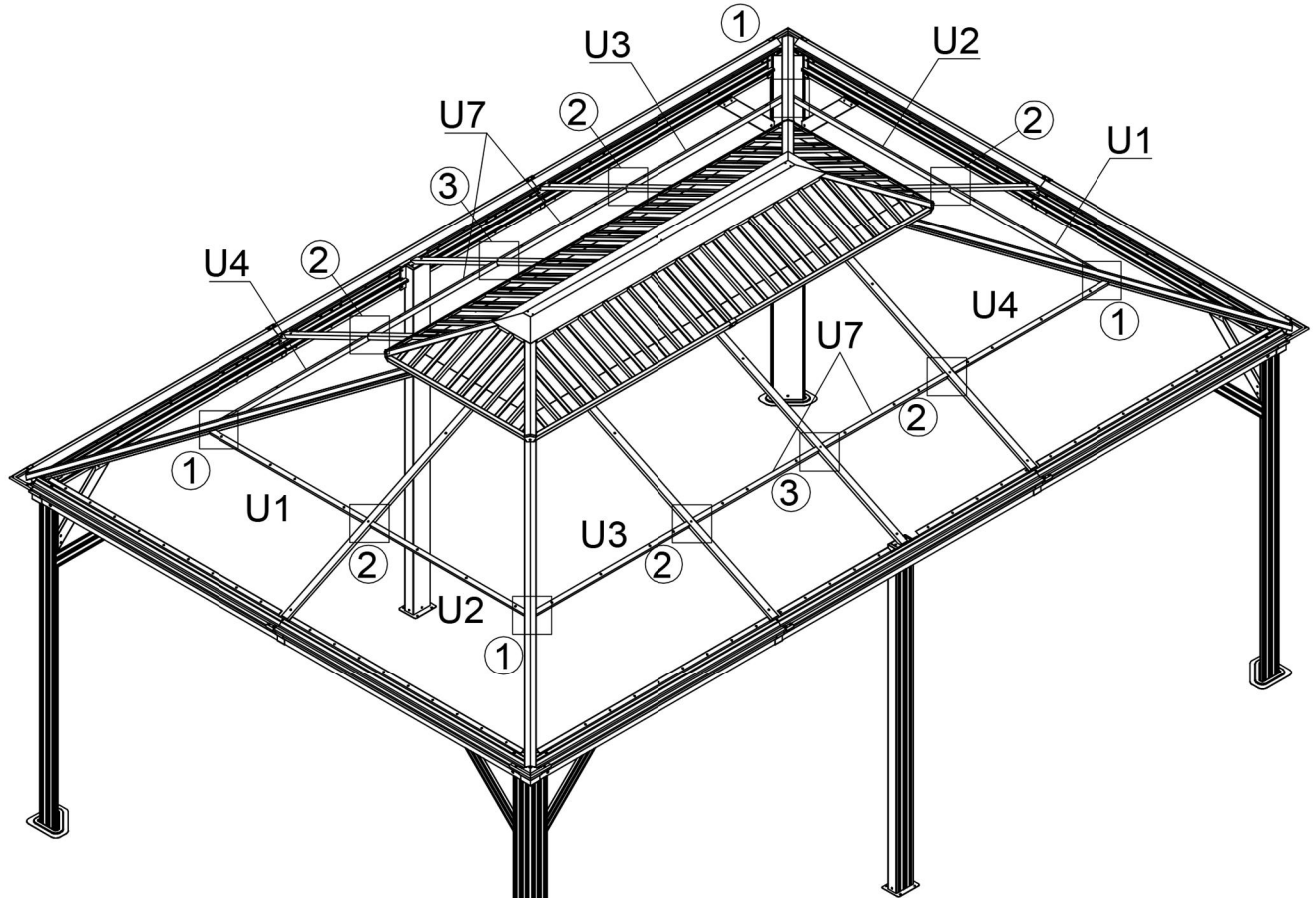
Connect Part T to the Top Roof with Part R. Connect T1 and Part T2 to the Top Roof with R1 using Screws 1# as shown in the diagram.



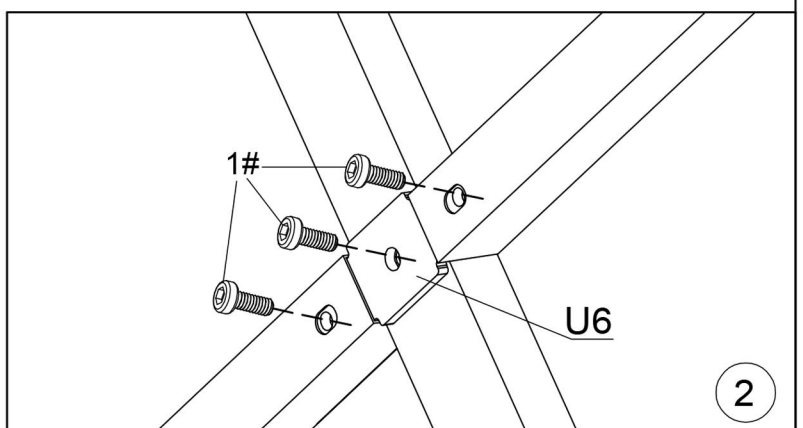
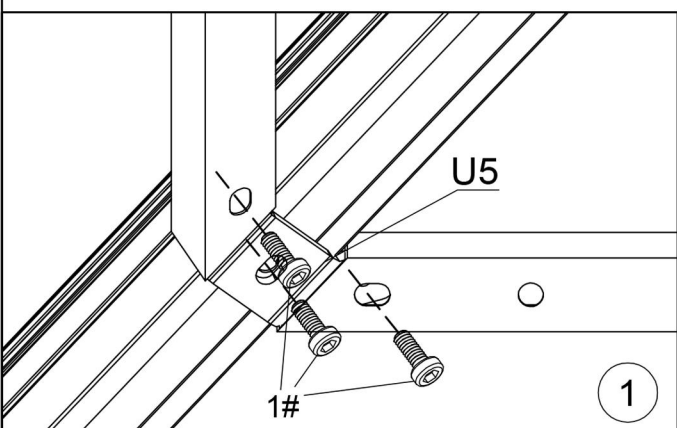
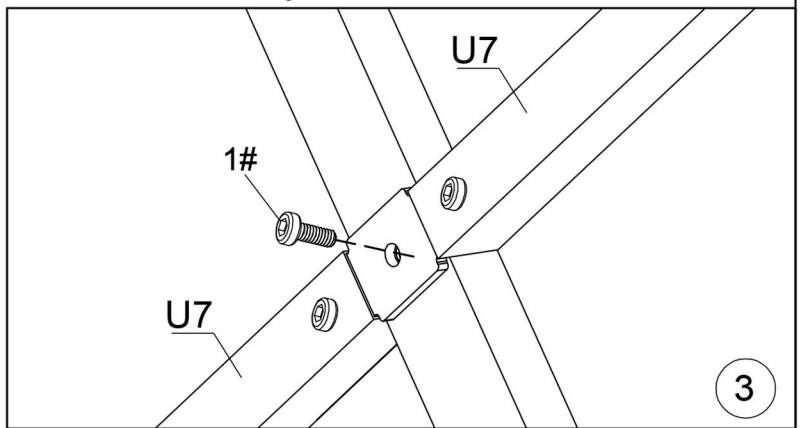
-  U1 (x2)
-  U2 (x2)
-  U3 (x2)
-  U4 (x2)

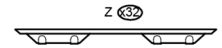
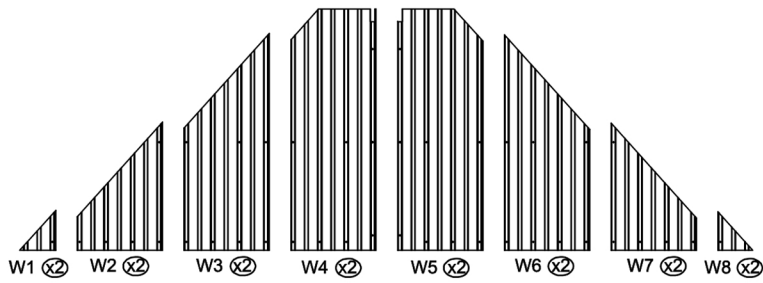
-  U5 (x4)
-  U6 (x6)
-  U7 (x2)

 1#
x32



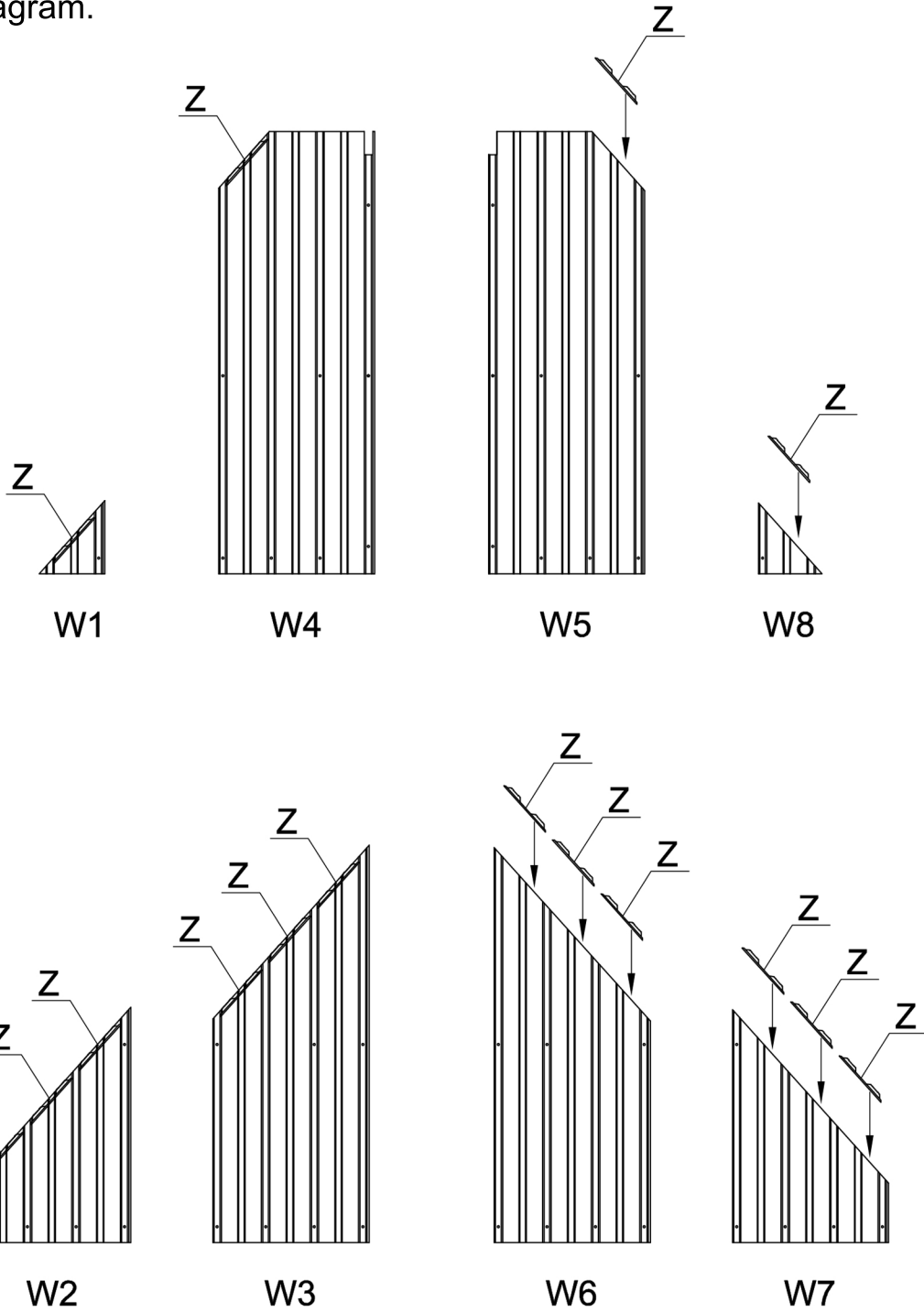
Step13:
 Connect Part U1 and Part U2 to Part M and Part N.
 As shown, Affix Part U3, U7 and U4 to Part N1, N2 and M.
 ① use screws 1#.
 ② use screws 1#.
 ③ use screws 1#

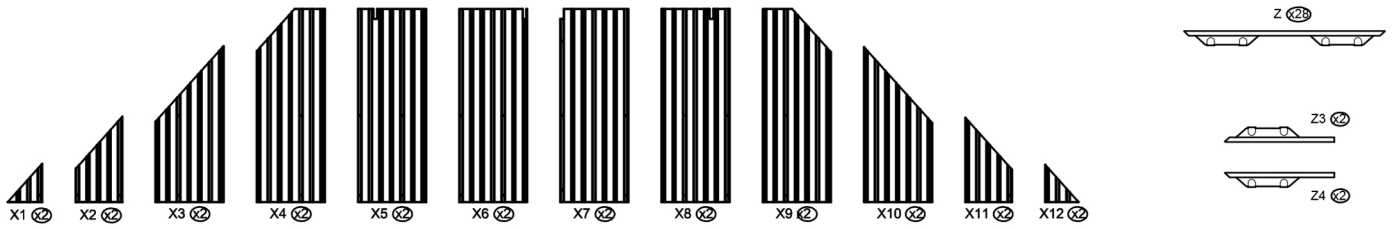




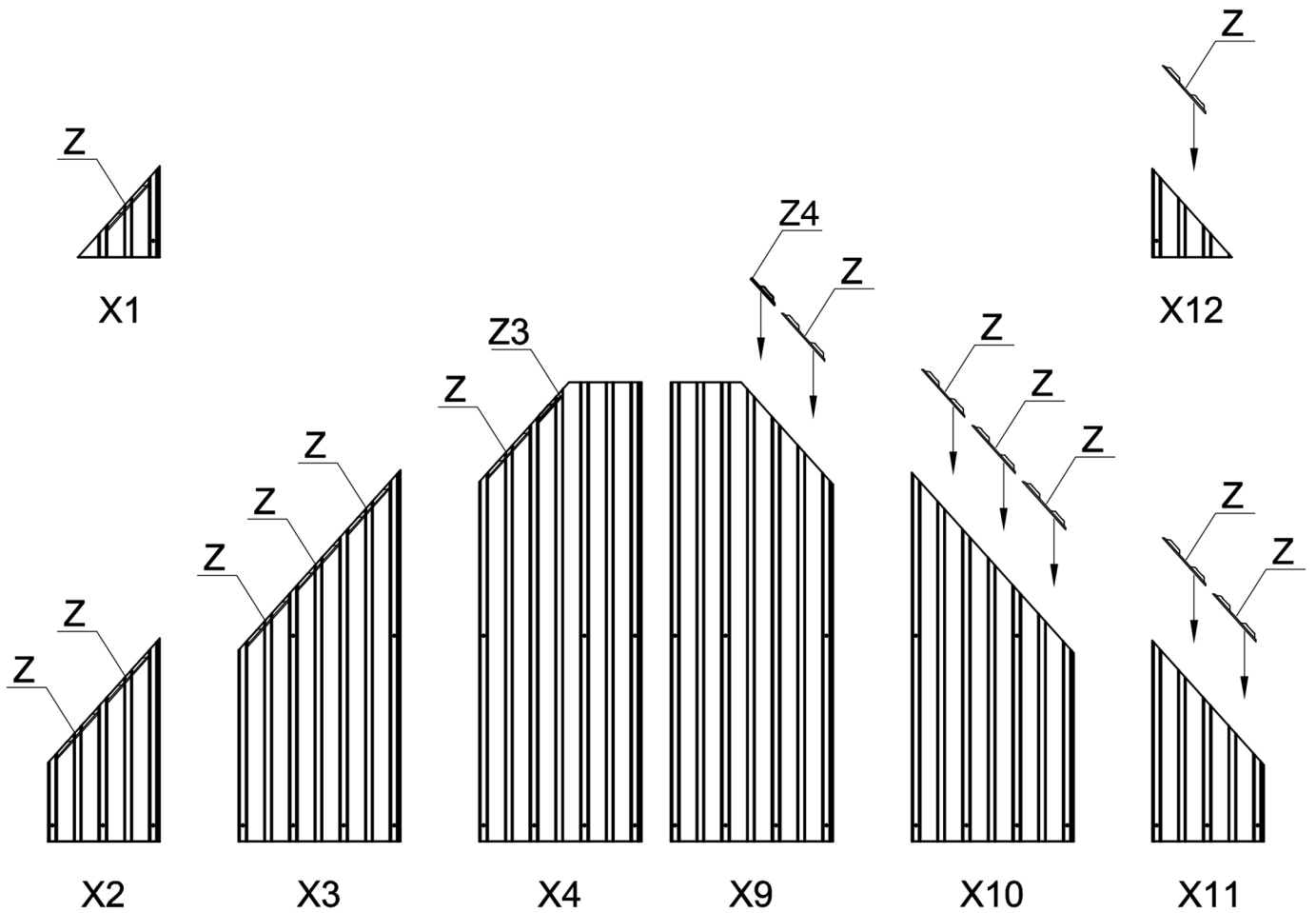
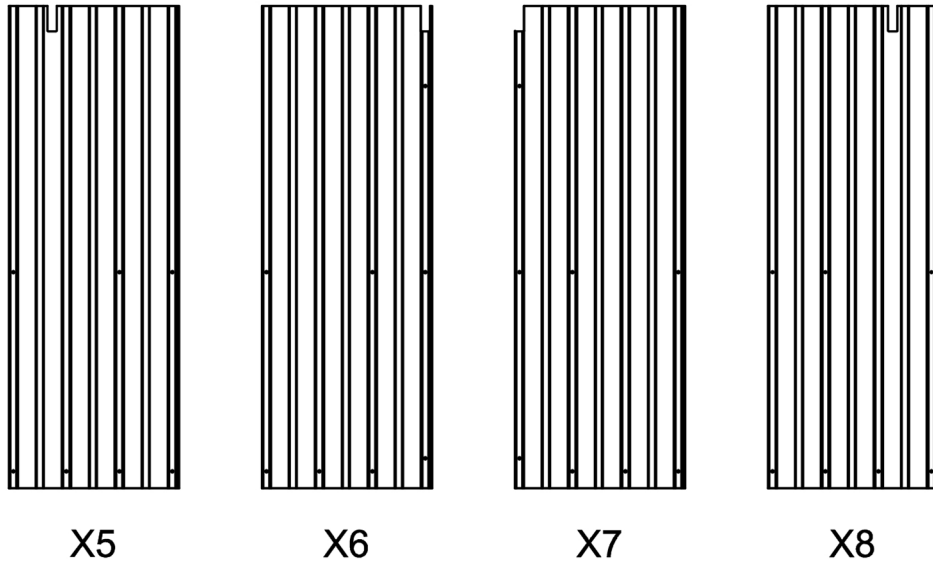
Step 14:

Cover Part Z to Part W1,W2,W3,W4,W5,W6,W7 and W8 as shown in the diagram.



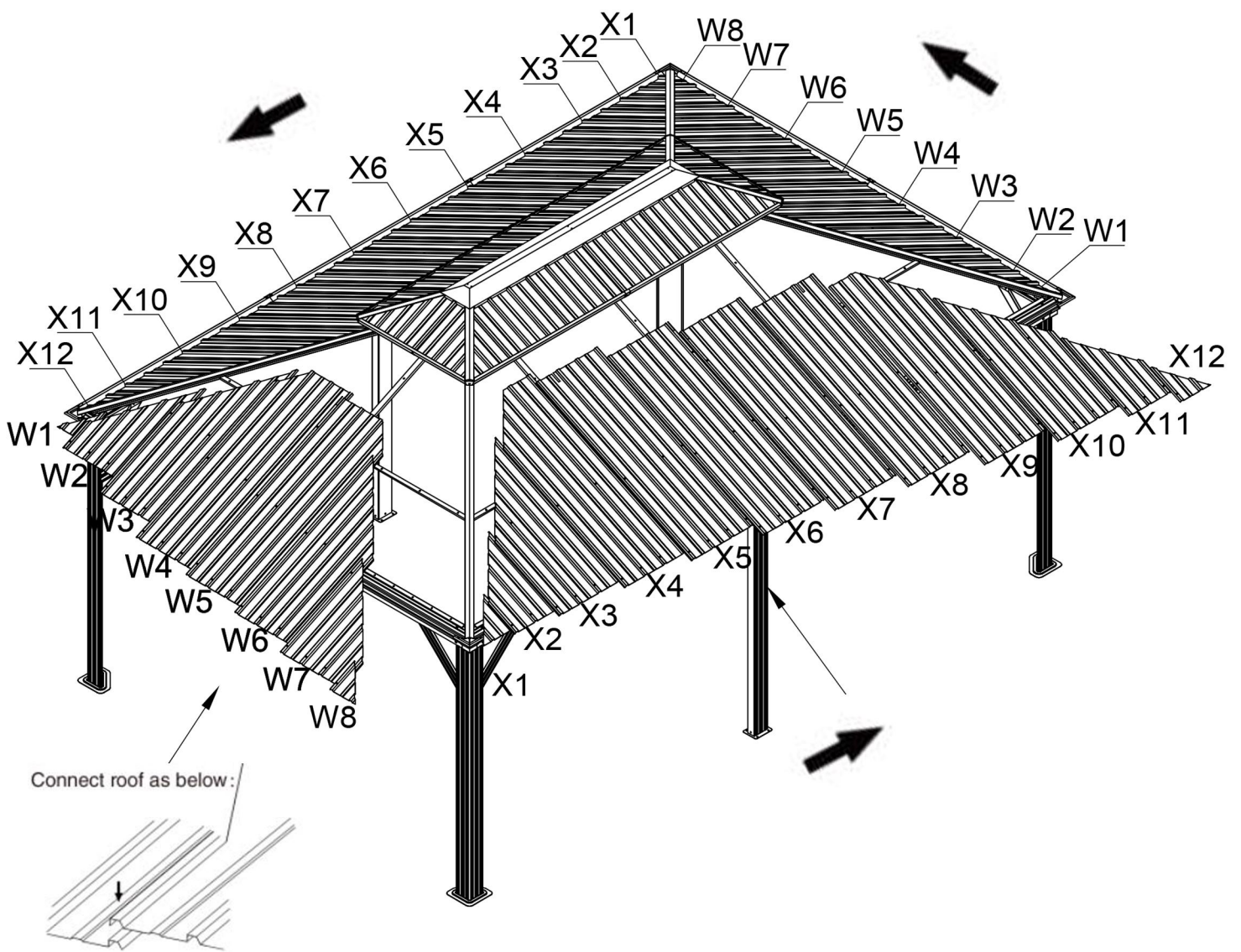


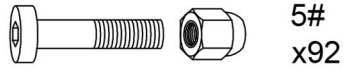
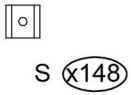
Cover Part Z to Part X1,X2,X3,X10,X11 and X12 as shown in the diagram.
 Cover Part Z and Z3 to Part X4, Z and Z4 to Part X9 as shown in the diagram.



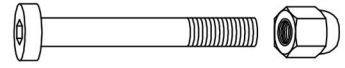
Overall Roof Assembly:

Please put the panels on the frame anti-clockwisely.

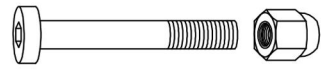




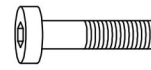
5#
x92



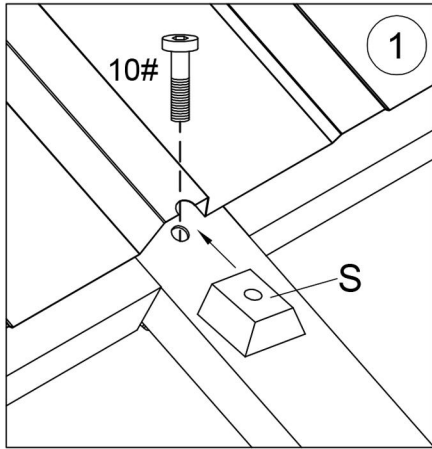
7#
x44



6#
x8

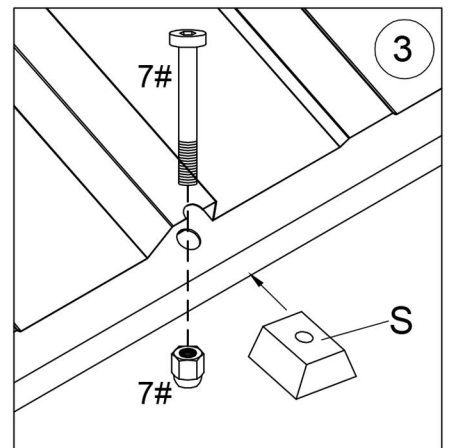
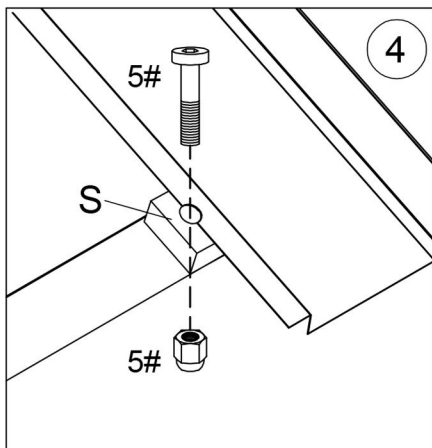
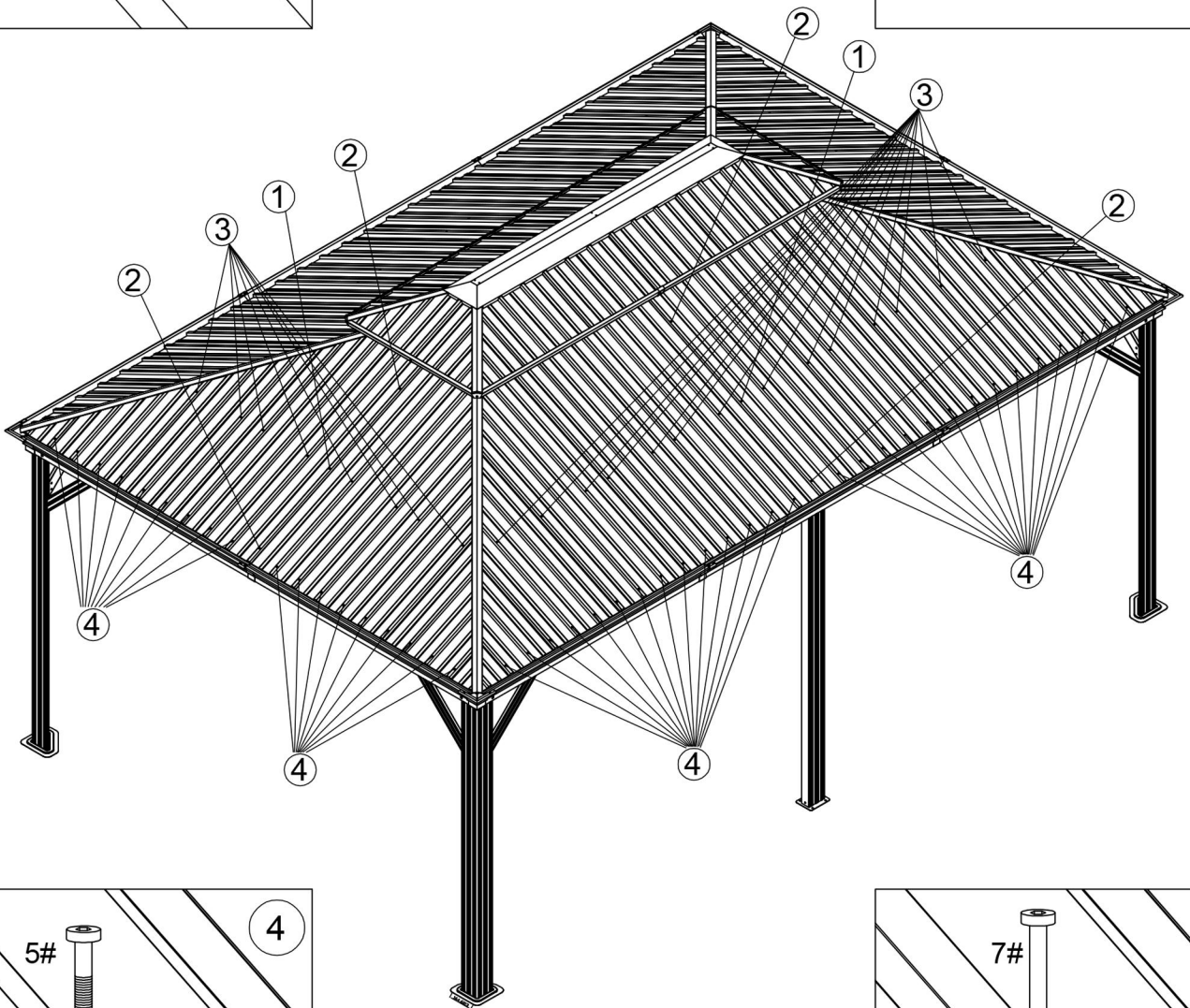
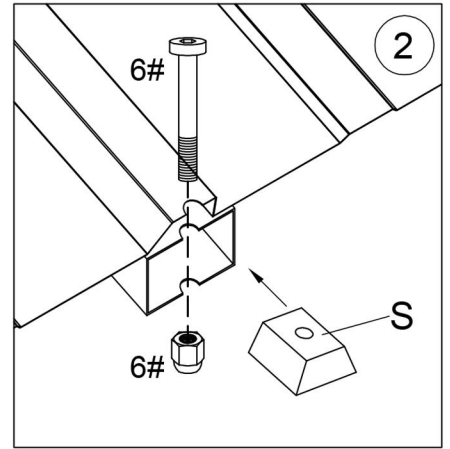


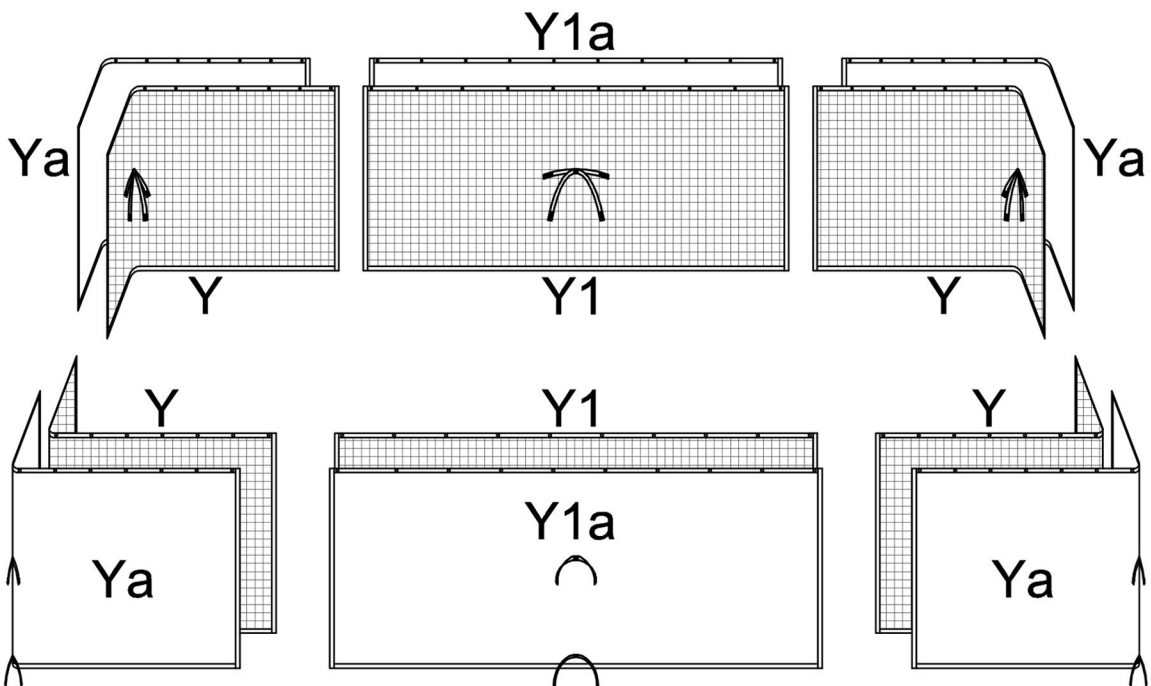
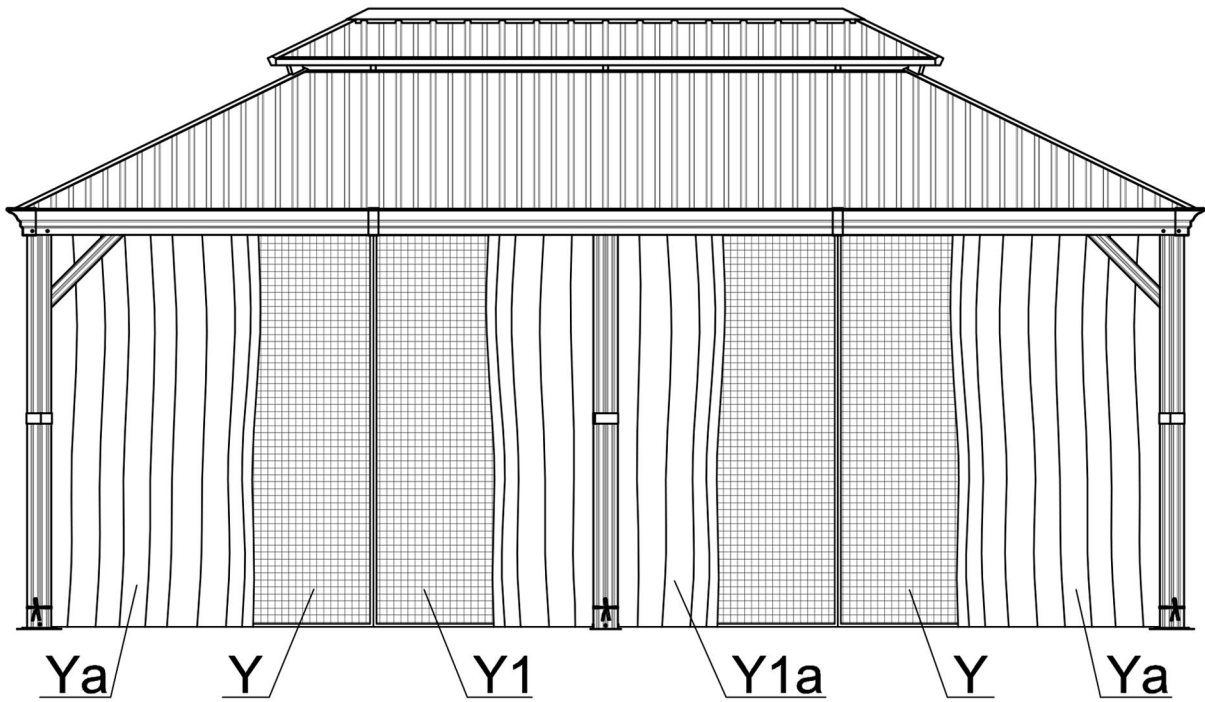
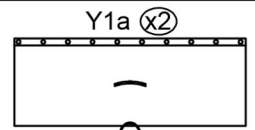
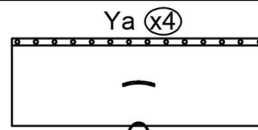
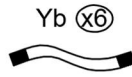
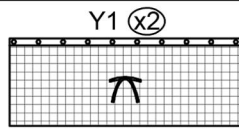
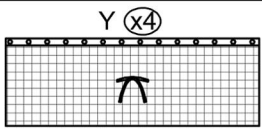
10#
x4



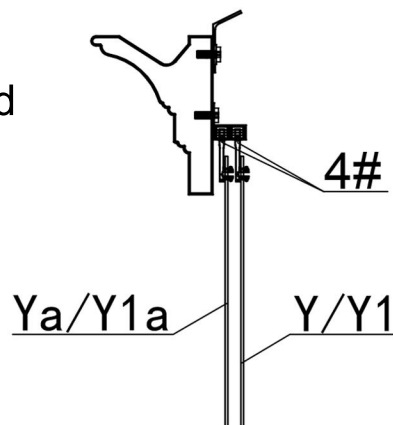
Step15:
Affix the roof panels with screws and Part S.

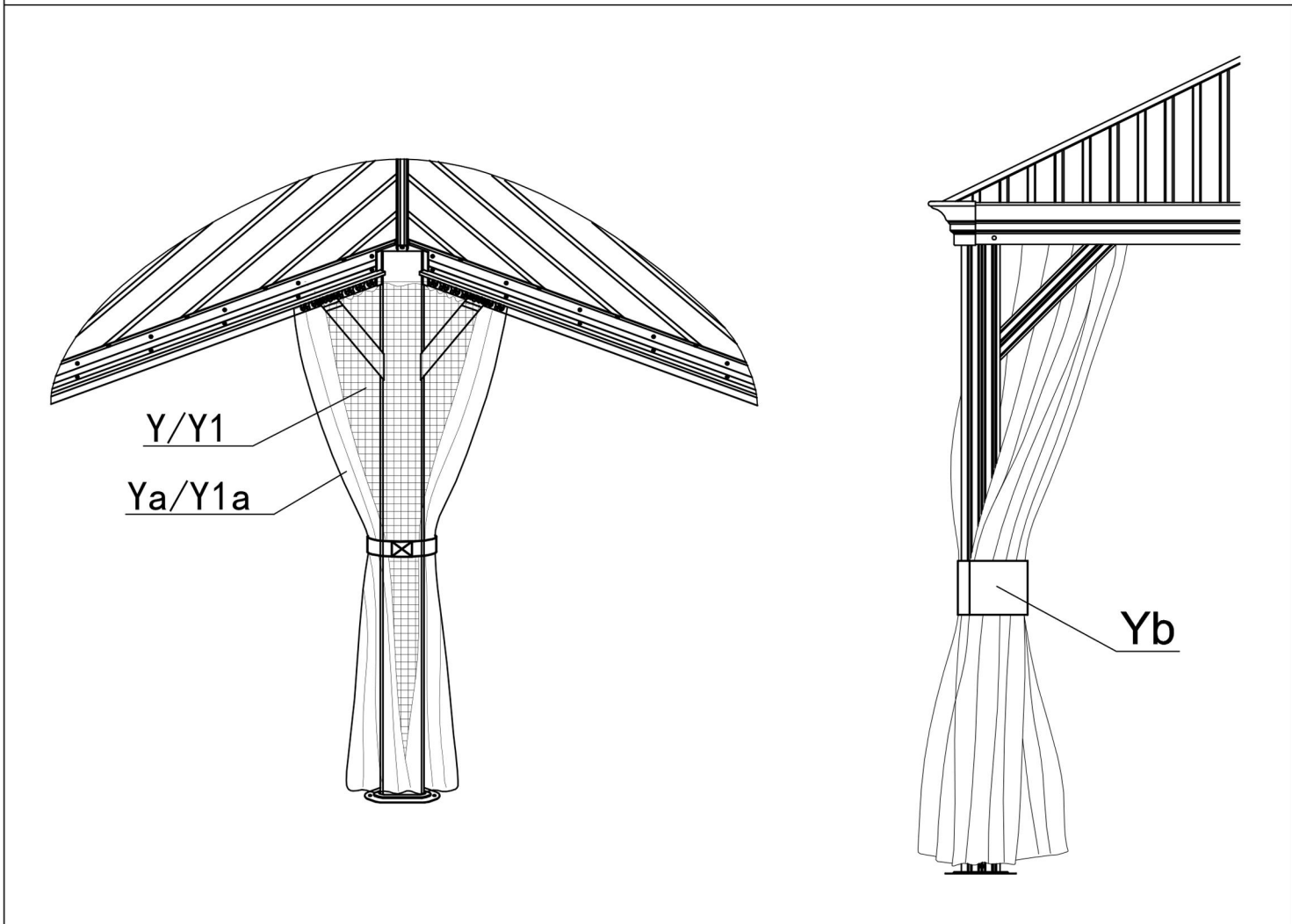
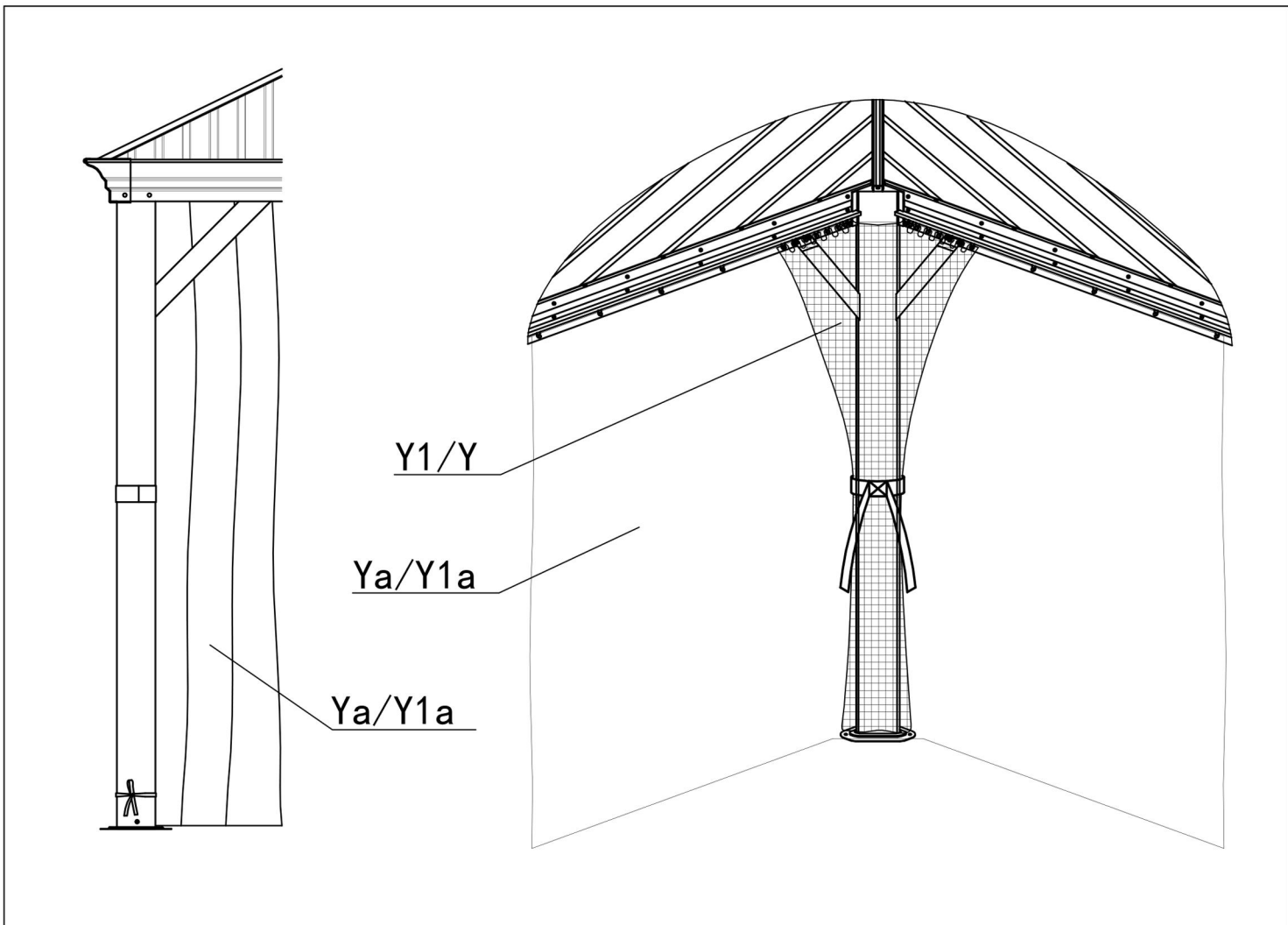
Note: Before installing the second roof panel, put on one roof panel and fasten it.





Step16:
Hang up mosquito net and
solid sidewalls.







RESORT COMFORT IN YONR
OWN BACKYARD

Thanks for your purchase.

At domi outdoor living, we believe in our products.

That's why we provide a 12-month warranty and

friendly, easy-to-reach after-sales service. So if you

have any questions about our product and assembly-

, please feel free to contact us. We will be here for you.

Support:  

email: service@domioutdoorliving.com

Please tell us your order ID when contact.

Attach photos of damaged part for instant reply.