



12'×12' WOOD-LOOKING FINISH
HARDTOP GAZEBO WITH DOUBLE ROOF

ASSEMBLY MANUAL



Missing part? Damaged? Contact us via email at
service@domioutdoorliving.com

READ ALL INSTRUCTIONS BEFORE USE

Warning & Attention

-This gazebo is not a toy. Children are not allowed to assemble or disassemble. Please take care of children, do not let them play around when assemble or disassemble.

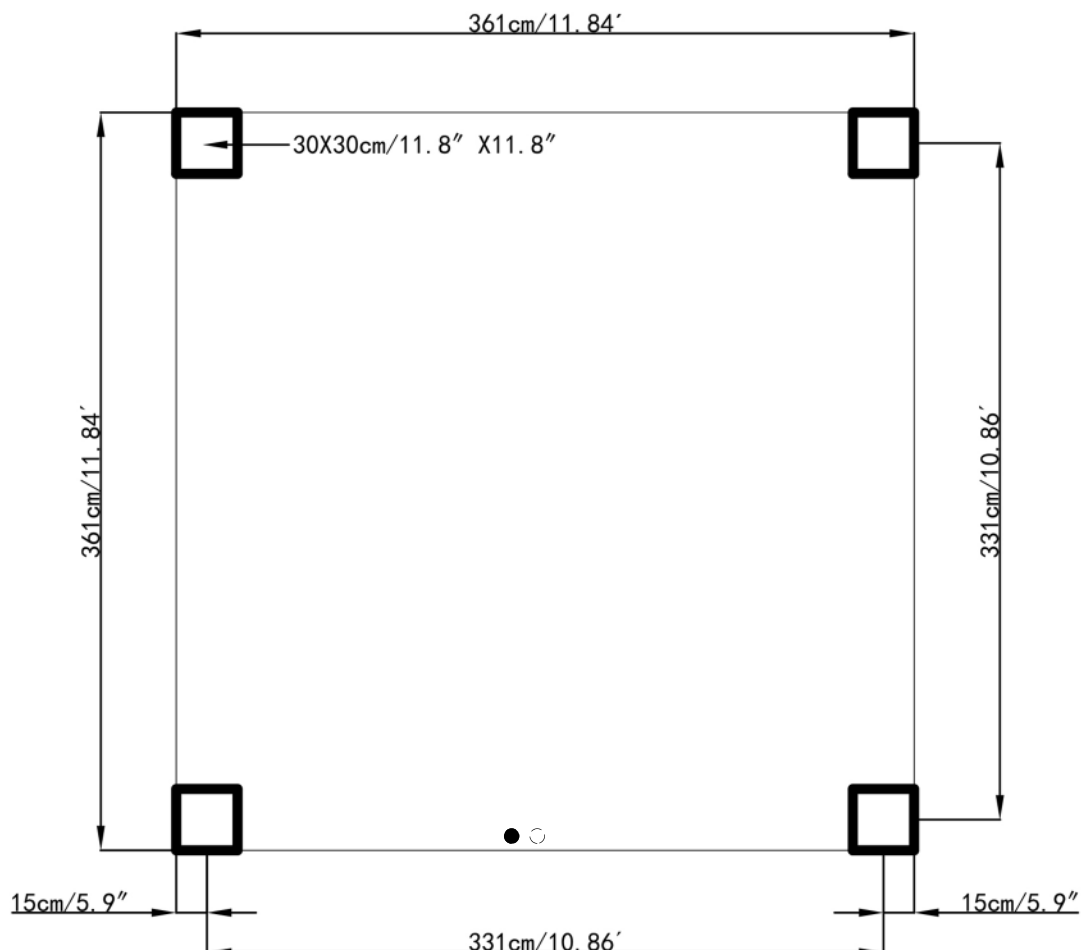
-Adults only for assemble or disassemble this product.


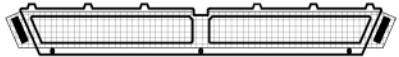

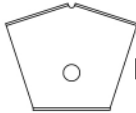




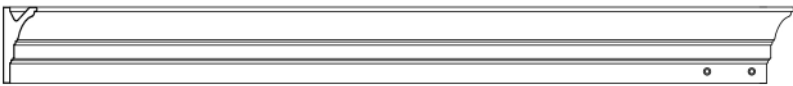





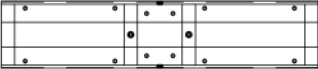
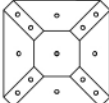
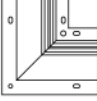

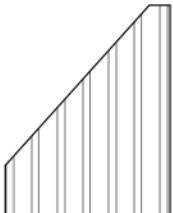

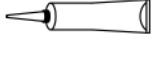








-This product is constructed with heavy duty frame, please do not lean or climb before it finish assembling.

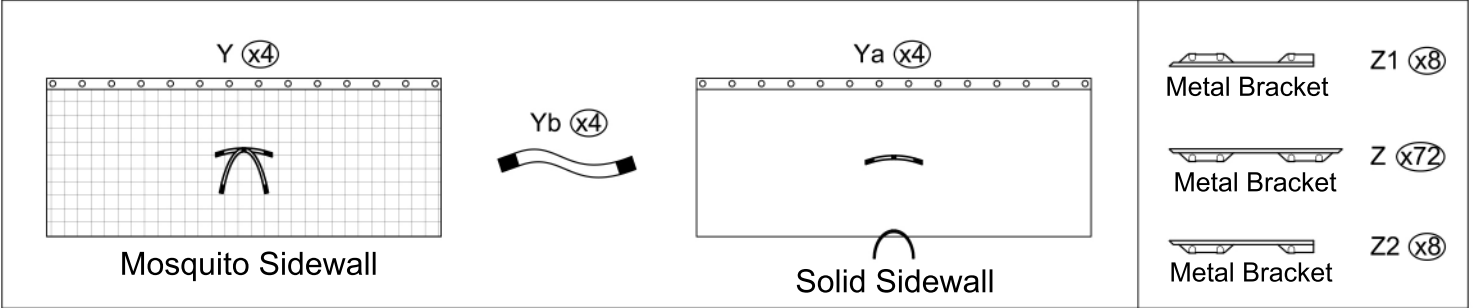
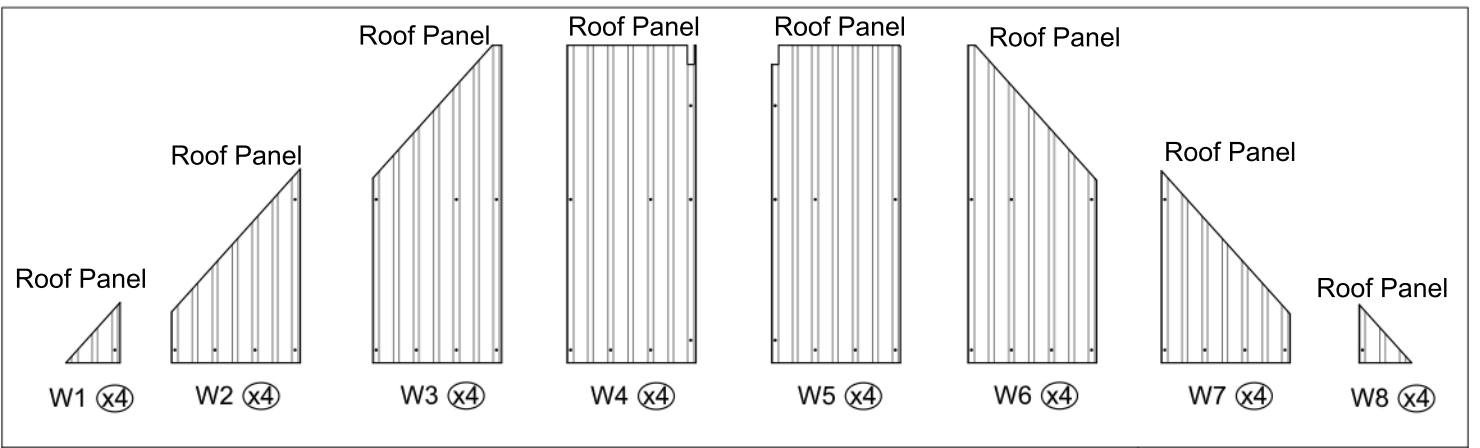
-Even though our hardtop gazebo is sturdy, please do not stand under the gazebo during a lightning storm.

-DO NOT use this gazebo if any parts show signs of instability or damage.

12'x12' ANCHOR BLUEPRINT



			
Pole		Net Frame	
A (x4)		P1 (x4)	
			
Beam		Finishing End	
B (x4)		R (x8)	
			
Jointer Bar		Spacer	
B1 (x4)		S (x116)	
			
Sidewall Track		Finishing Bar	
B2 (x4)		T1 (x4)	
			
Beam		Solidifying Bar	
C (x4)		U1 (x8)	
			
Jointer Bar		Solidifying Bar	
C1 (x4)		U3 (x4)	
			
Sidewall Track		Solidifying Bar	
C2 (x4)		U4 (x4)	
			
Union Bar		Inside Roof Connector	
F (x4)		K (x1)	
			
Corner Cover	Joint Cover		
G (x4)	H (x4)		
			
Joint Cover			
H1 (x4)	H2 (x1)		
			
Corner Solidifying Bar	Corner Solidifying Bar		
J1 (x4)	J2 (x4)	Base	
			
Corner Roof Bar		Roof Panel	
M (x4)		V1 (x4)	
			
Roof Bar		Roof Panel	
N (x4)		V4 (x4)	
			
Finishing Bar			
P (x4)			



	M6x16	Screws	1# x213+3
---	-------	--------	--------------

	M6x20	Screws	2# x16+2
---	-------	--------	-------------

		Screws	3# x16+2
---	--	--------	-------------

		Hook	4# x112
---	--	------	------------

	M6x28	Screws	5# x72+3
---	-------	--------	-------------

	M6x45	Screws	6# x8+1
---	-------	--------	------------

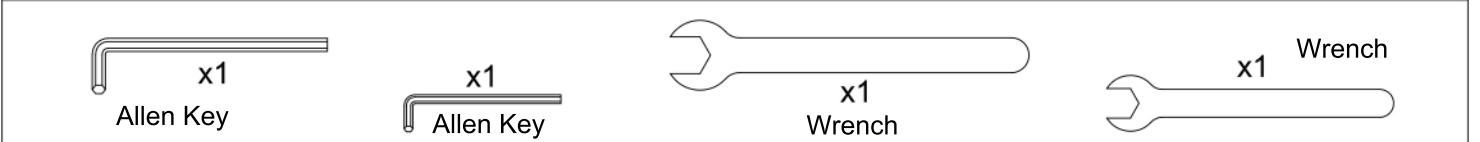
	M6x50	Screws	7# x32+2
---	-------	--------	-------------

	M5x16	Screws	8# x4+1
---	-------	--------	------------

	ST4.8x13	Screws	9# x24+2
---	----------	--------	-------------

	M6x25	Screws	10# x4+1
---	-------	--------	-------------

	M6x10	Screws	11# x8+1
---	-------	--------	-------------



Step 1:

Connect part A and part L using #1 screws.



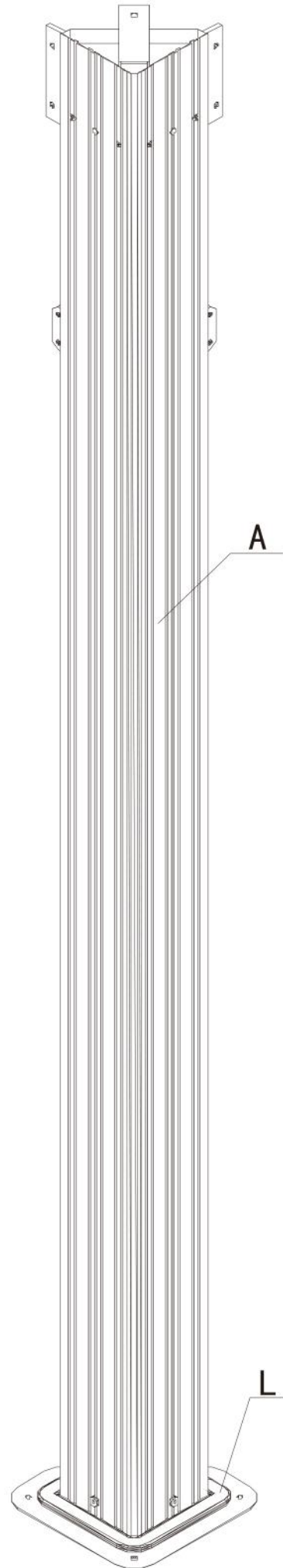
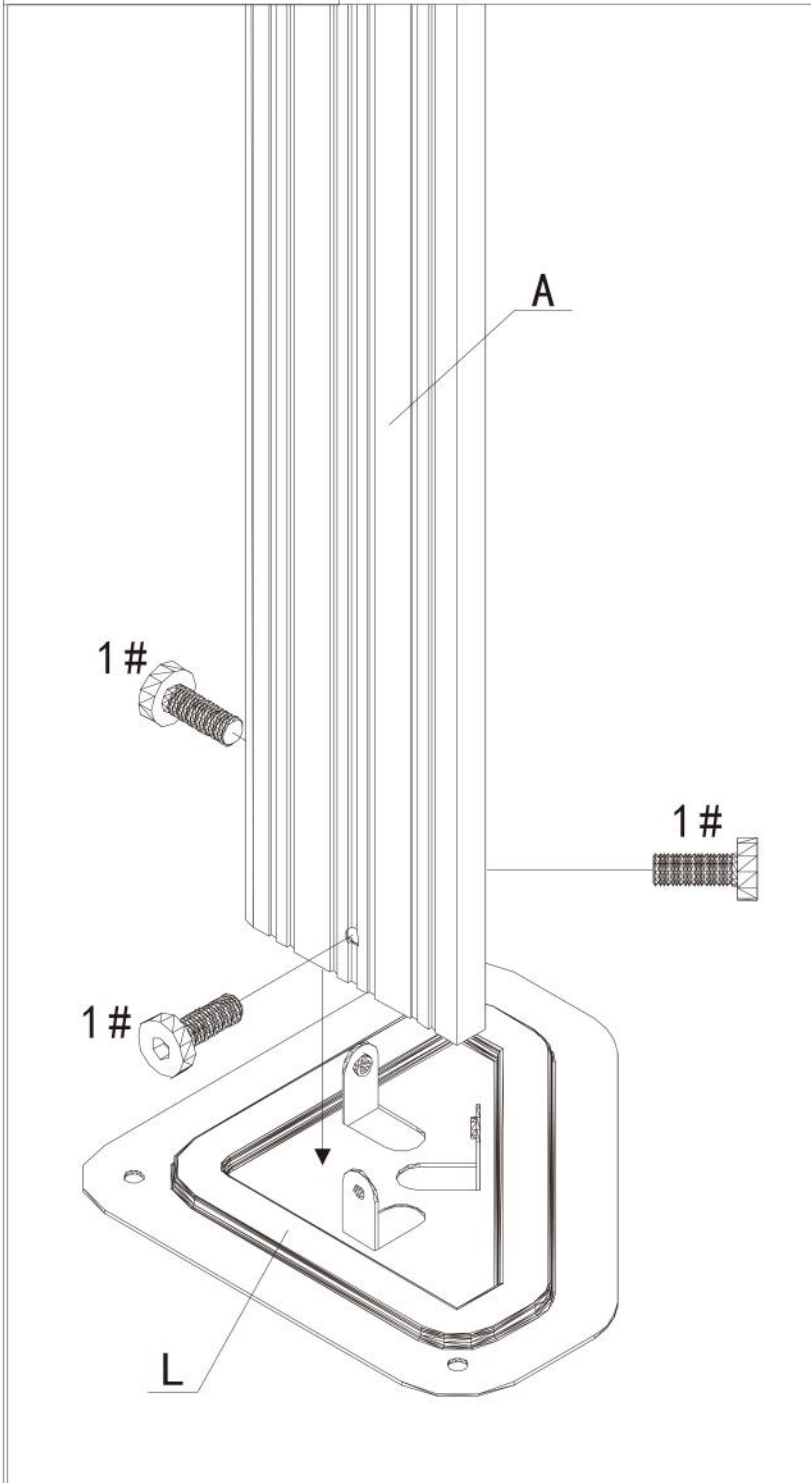
L (x4)

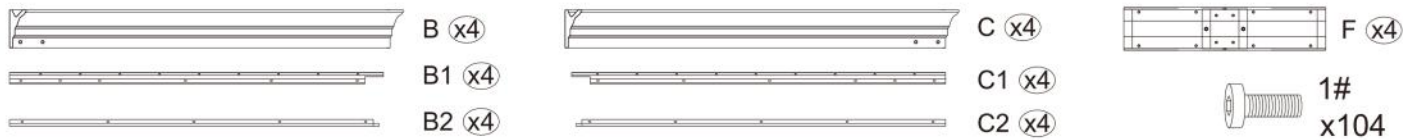


#1
x12

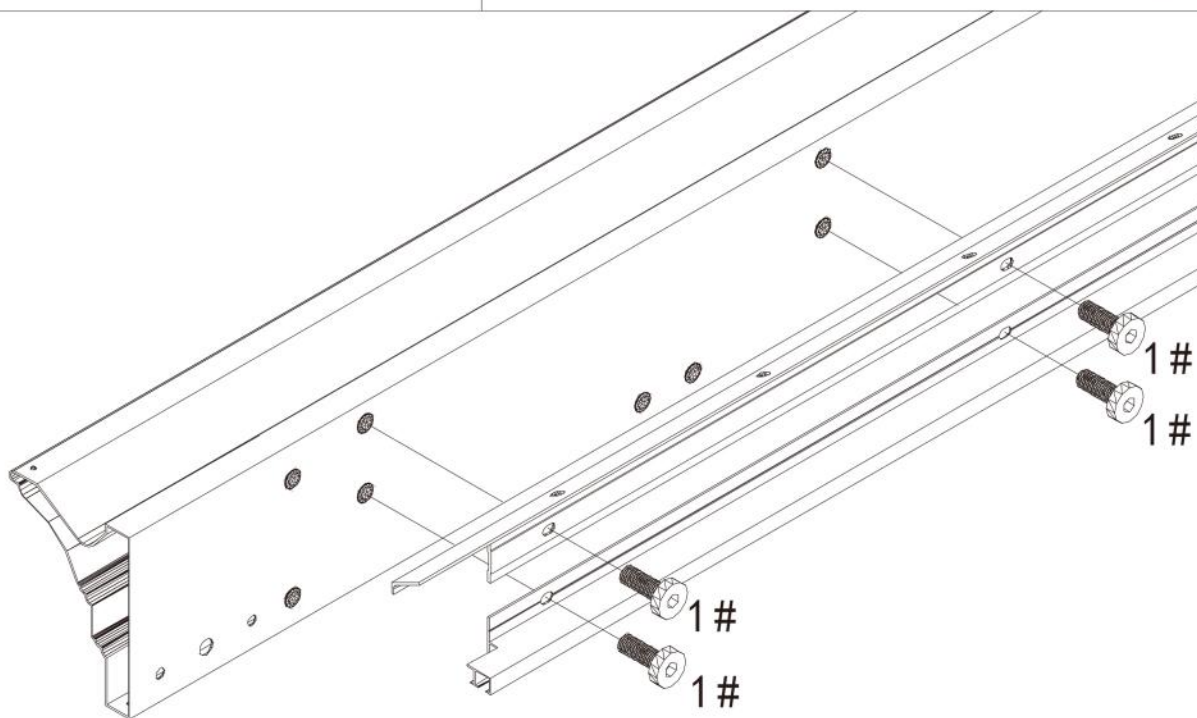
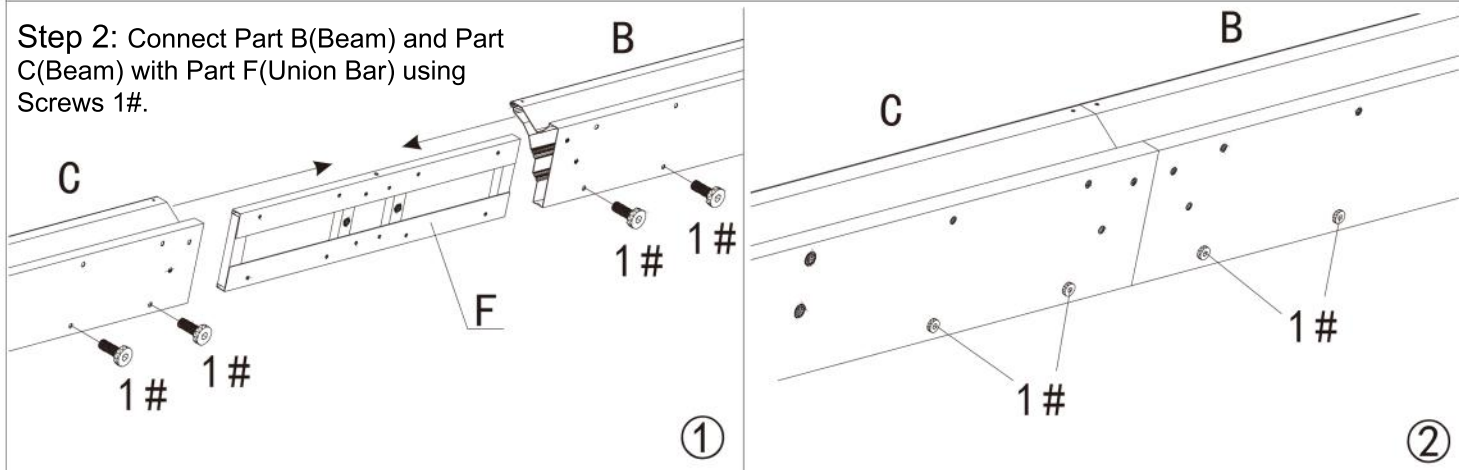
A (x4)

Required Parts





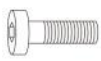
Step 2: Connect Part B(Beam) and Part C(Beam) with Part F(Union Bar) using Screws 1#.



Step 3:

Connect Part C1(Jointer Bar) and C2(Sidewall Track) to Part C(Beam) with Screws 1#. Connect Part B1(Jointer Bar) and B2(Sidewall Track) to Part C(Beam) with Screws 1#.





2#
x16

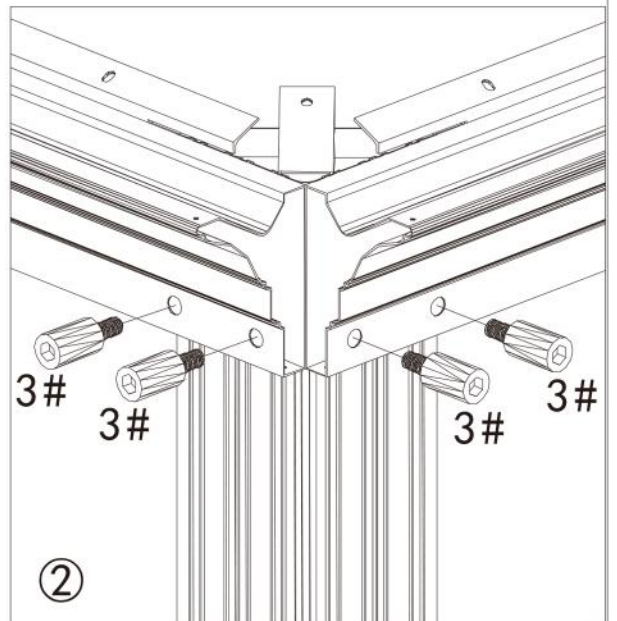
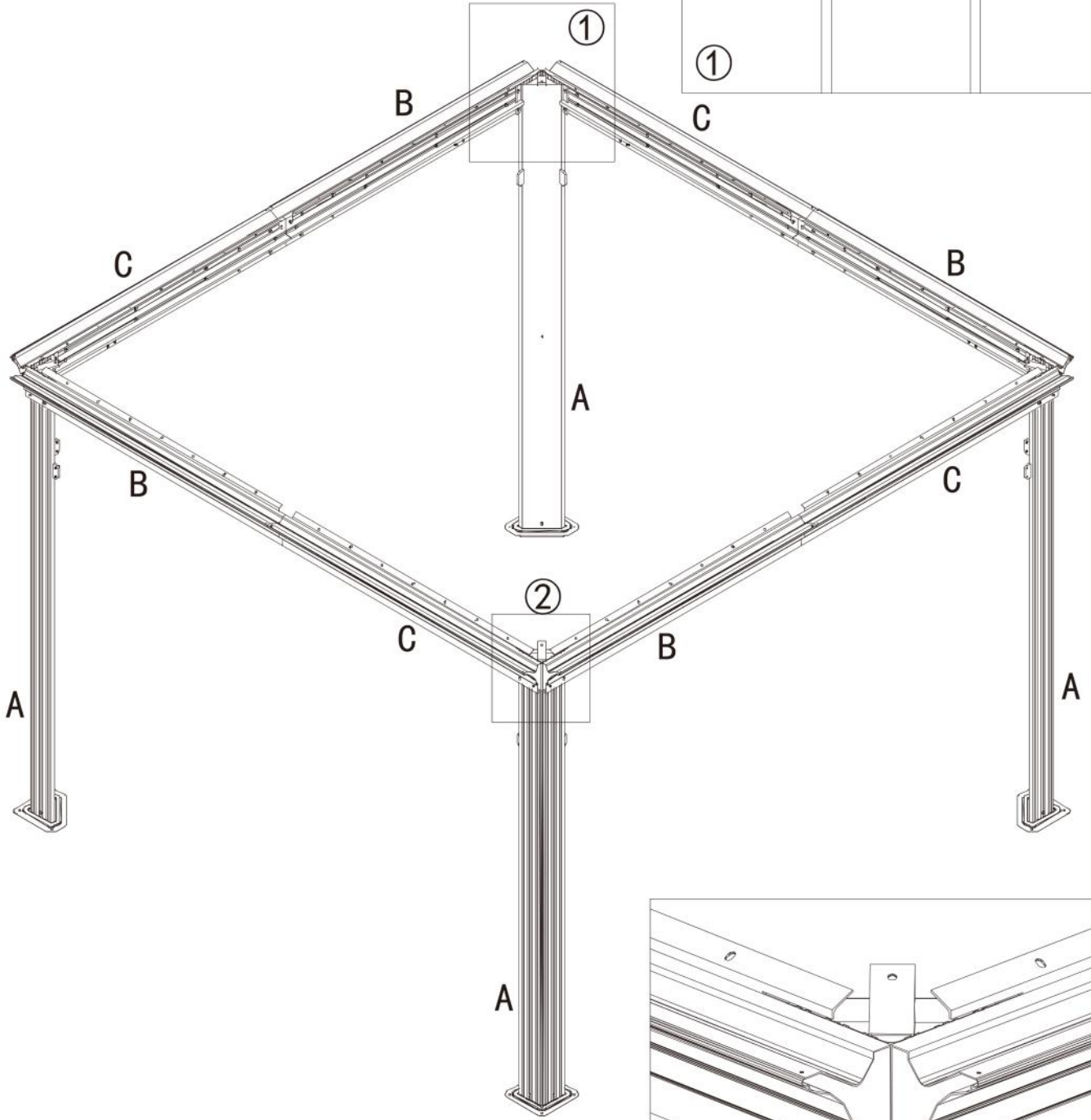
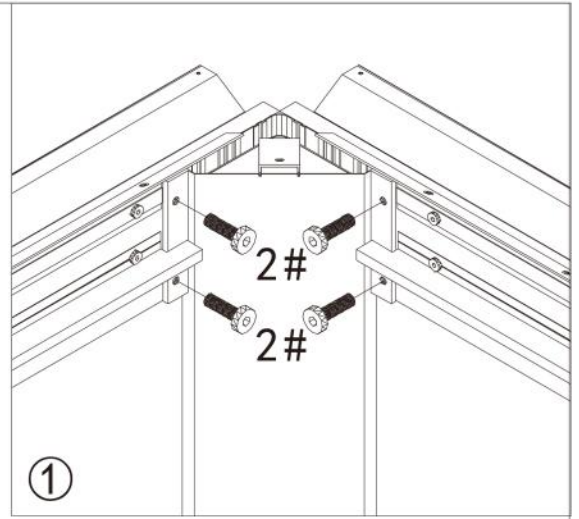


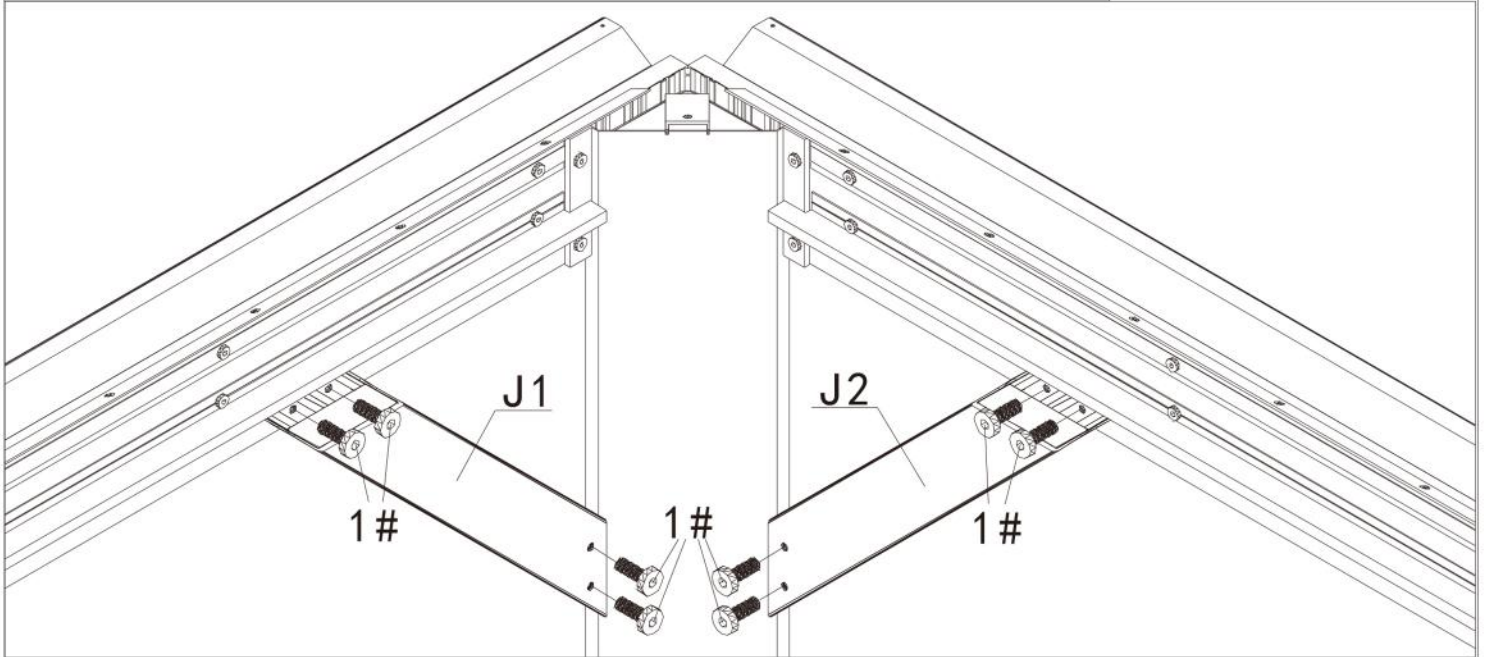
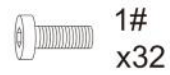
3#
x16

Step 4:

Connect Poles and Beams together with Screws(2# &3#).

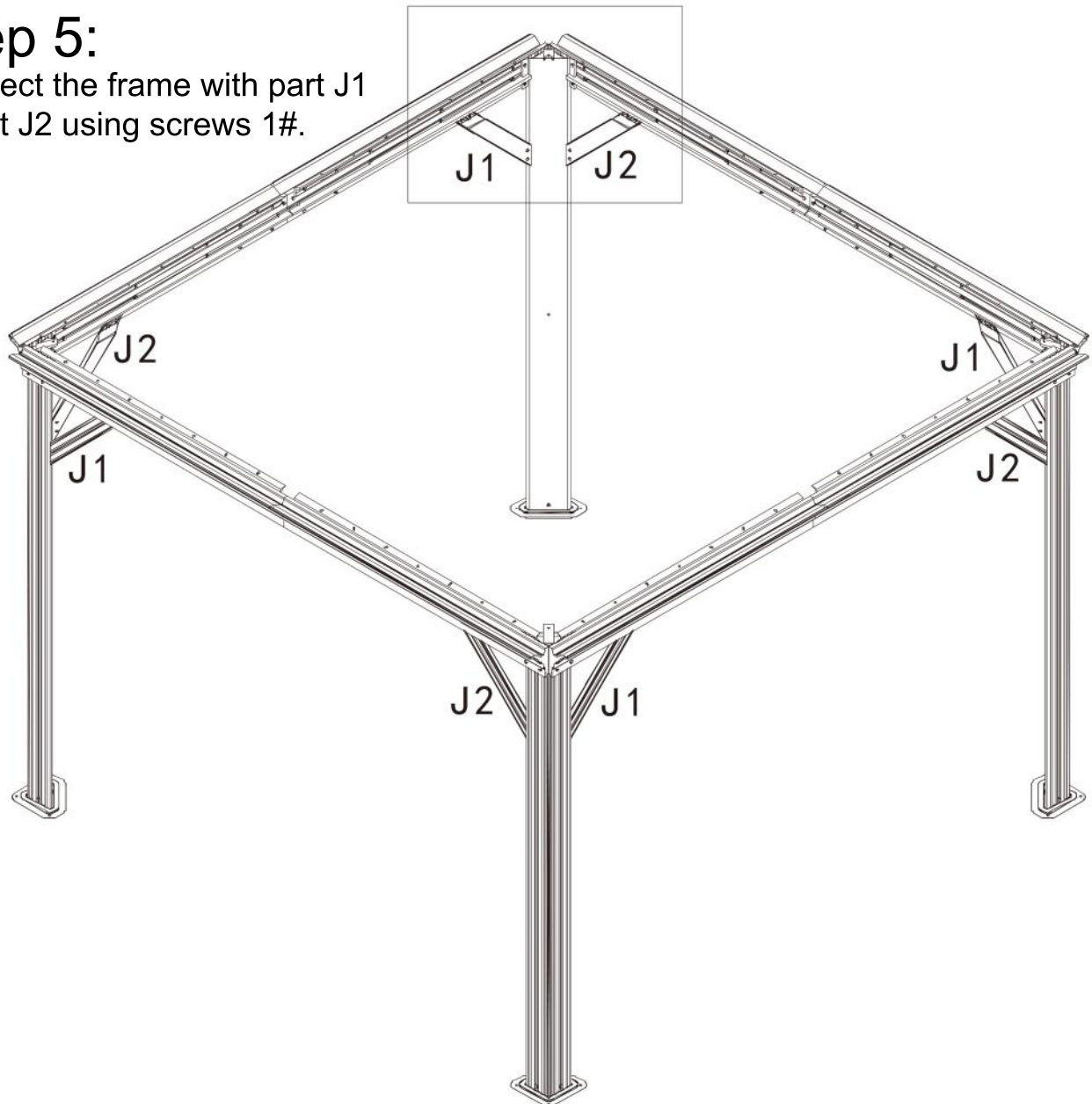
Replicate four times.





Step 5:

Connect the frame with part J1 & part J2 using screws 1#.





G x4



H x4



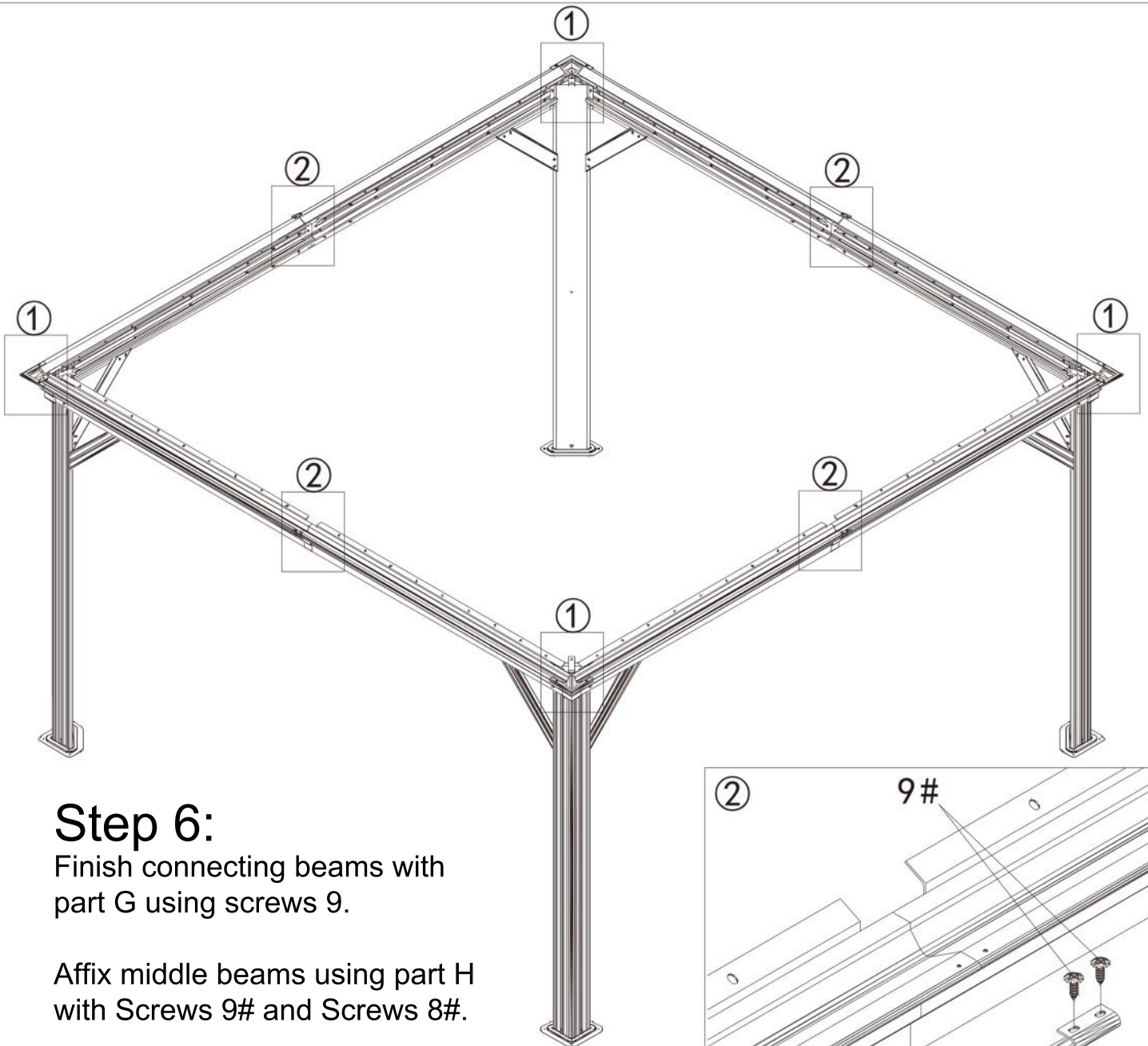
8#
x4



9#
x24



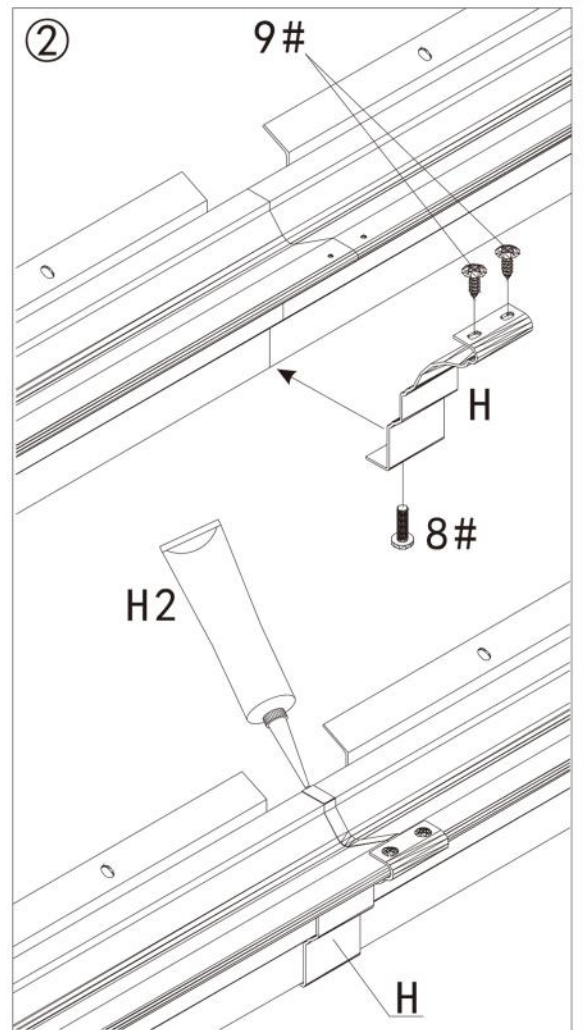
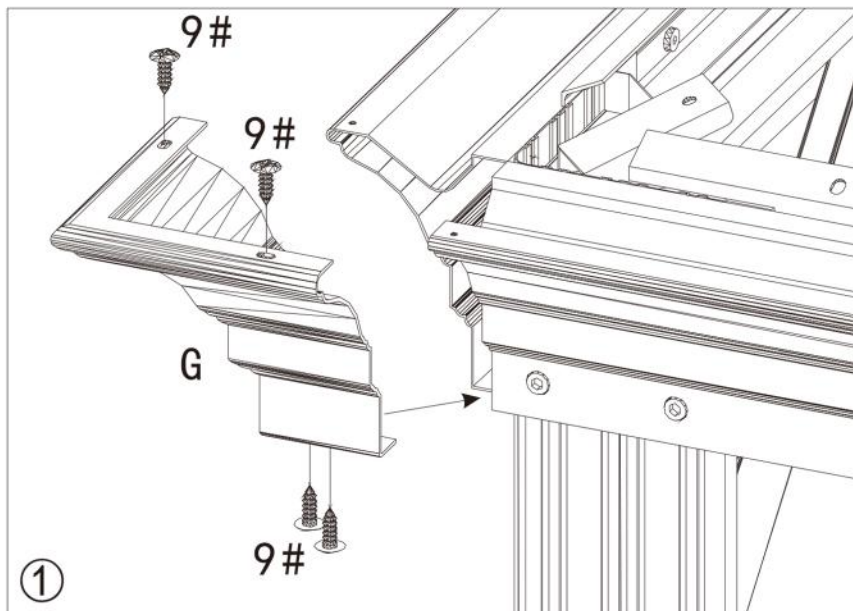
H2 x1



Step 6:

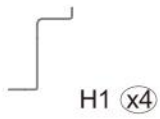
Finish connecting beams with part G using screws 9.

Affix middle beams using part H with Screws 9# and Screws 8#.

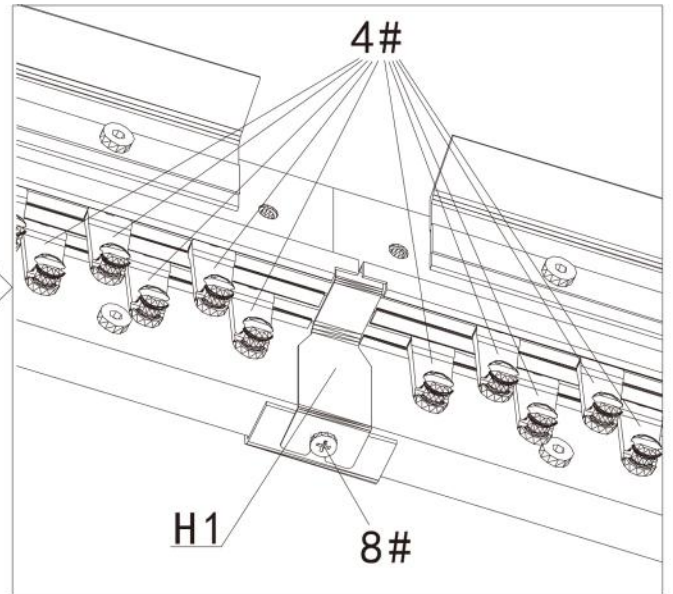
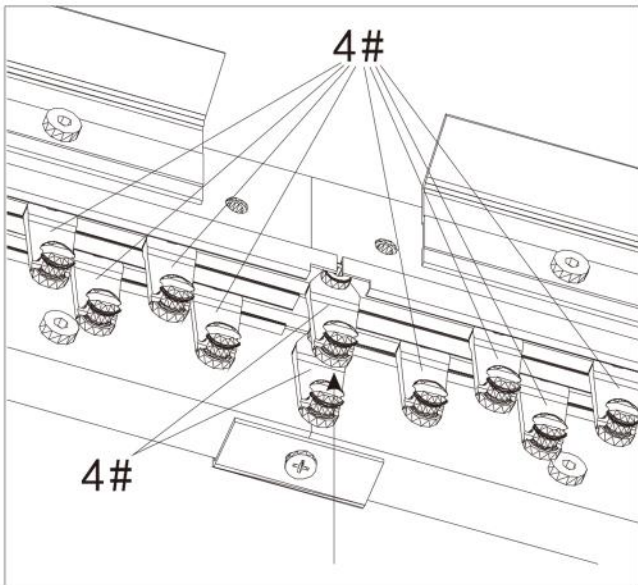
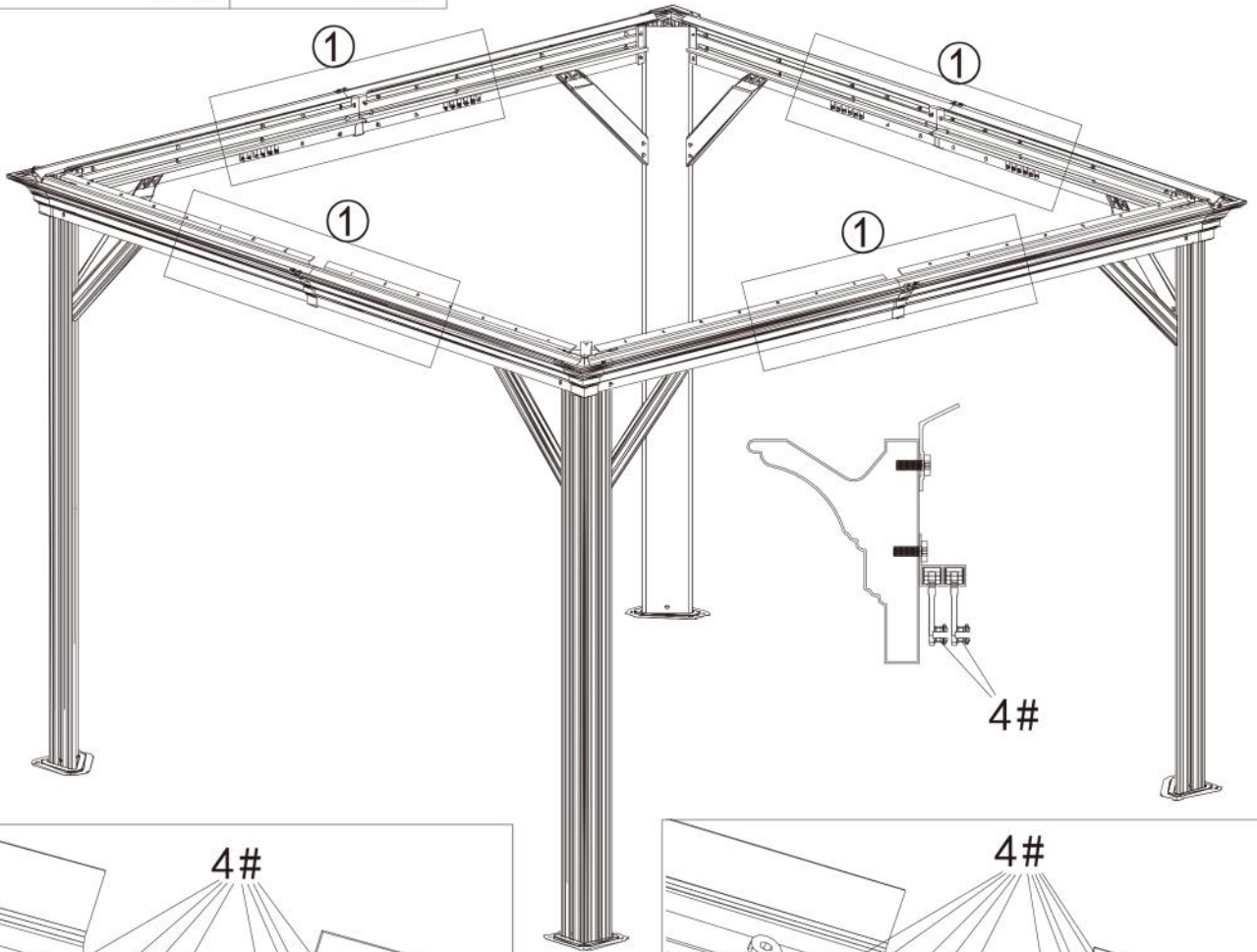




4#
x112

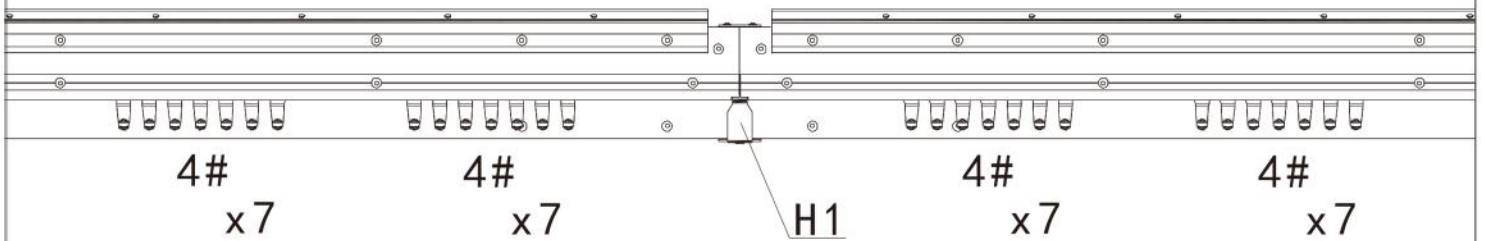


H1 (x4)

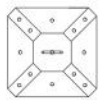


After completing the hook track, lock them with H1 using screws 8#.

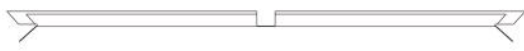
①



Step 7: Put Hooks on Sidewall Track as shown in the diagram.



K (x1)



P (x4)



R (x4)

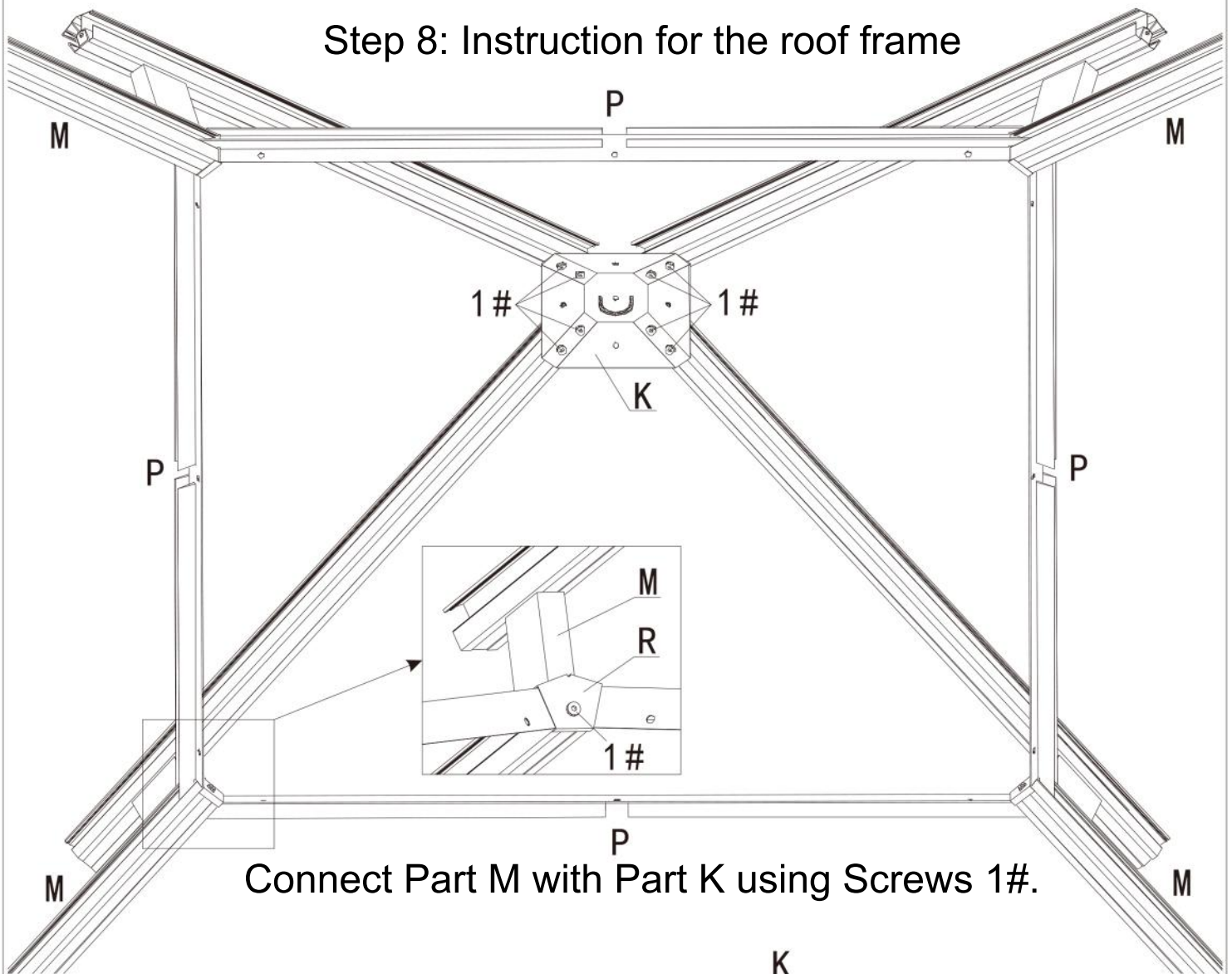


1#
x16



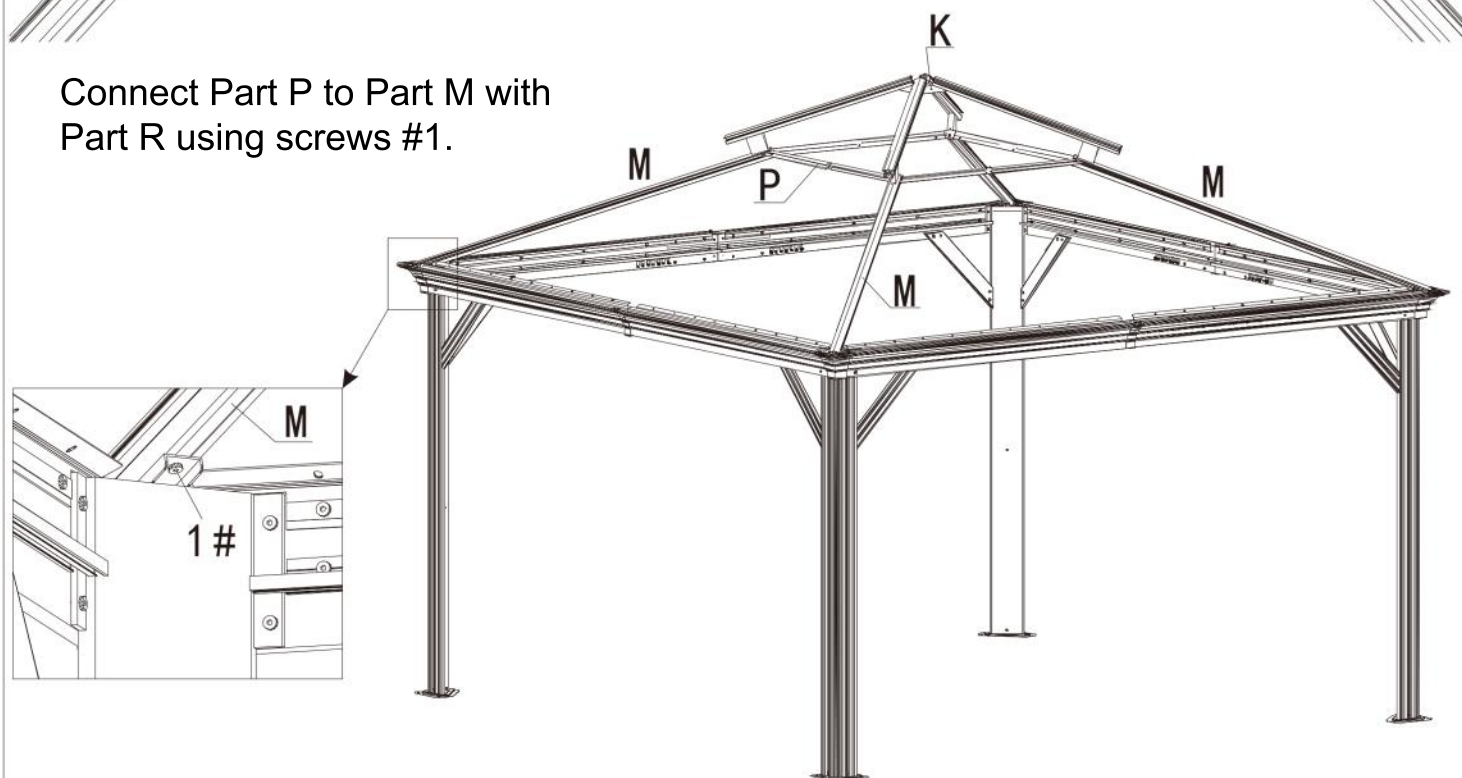
M (x4)

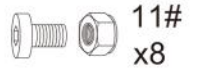
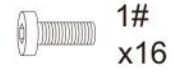
Step 8: Instruction for the roof frame



Connect Part M with Part K using Screws 1#.

Connect Part P to Part M with Part R using screws #1.

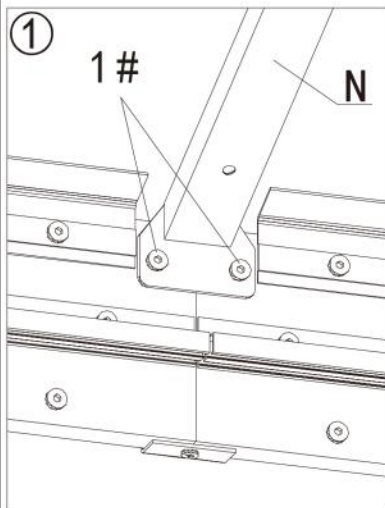
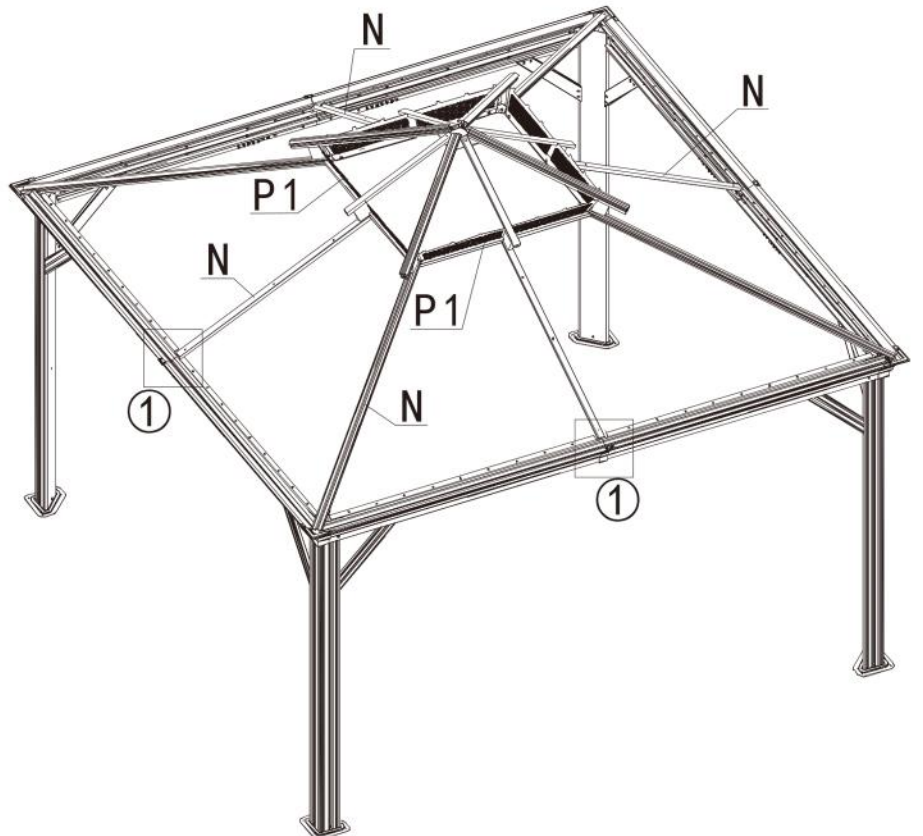
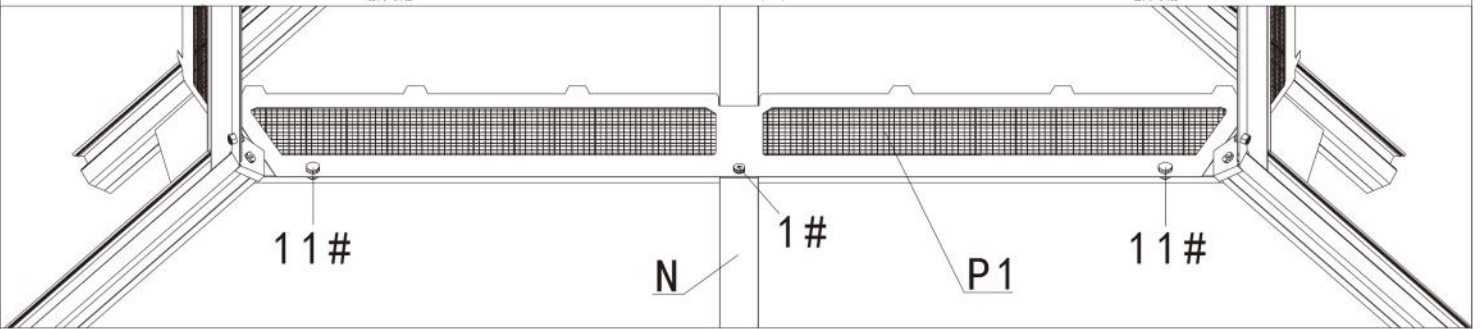
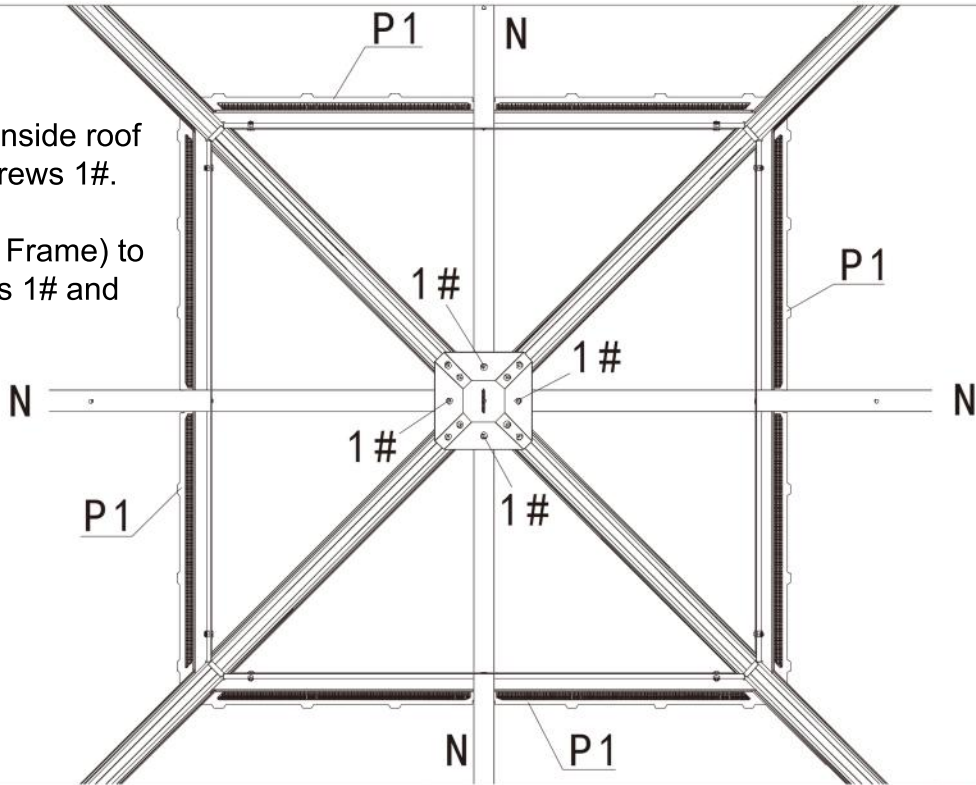


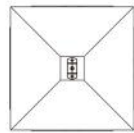


Step 9:

Connect Part N to inside roof connector using screws 1#.

Attach Part P1 (Net Frame) to Part P using screws 1# and screws 11#.

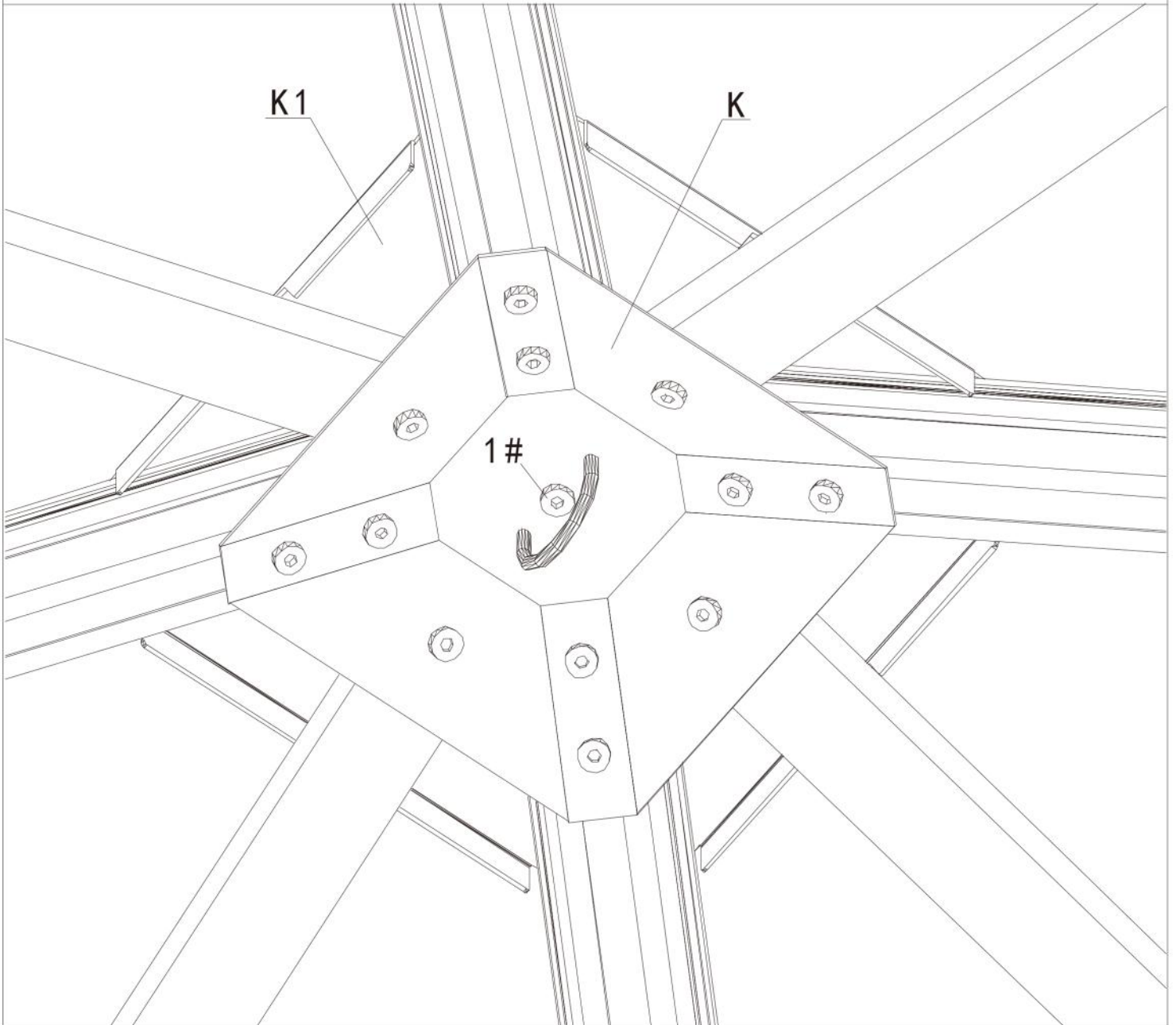




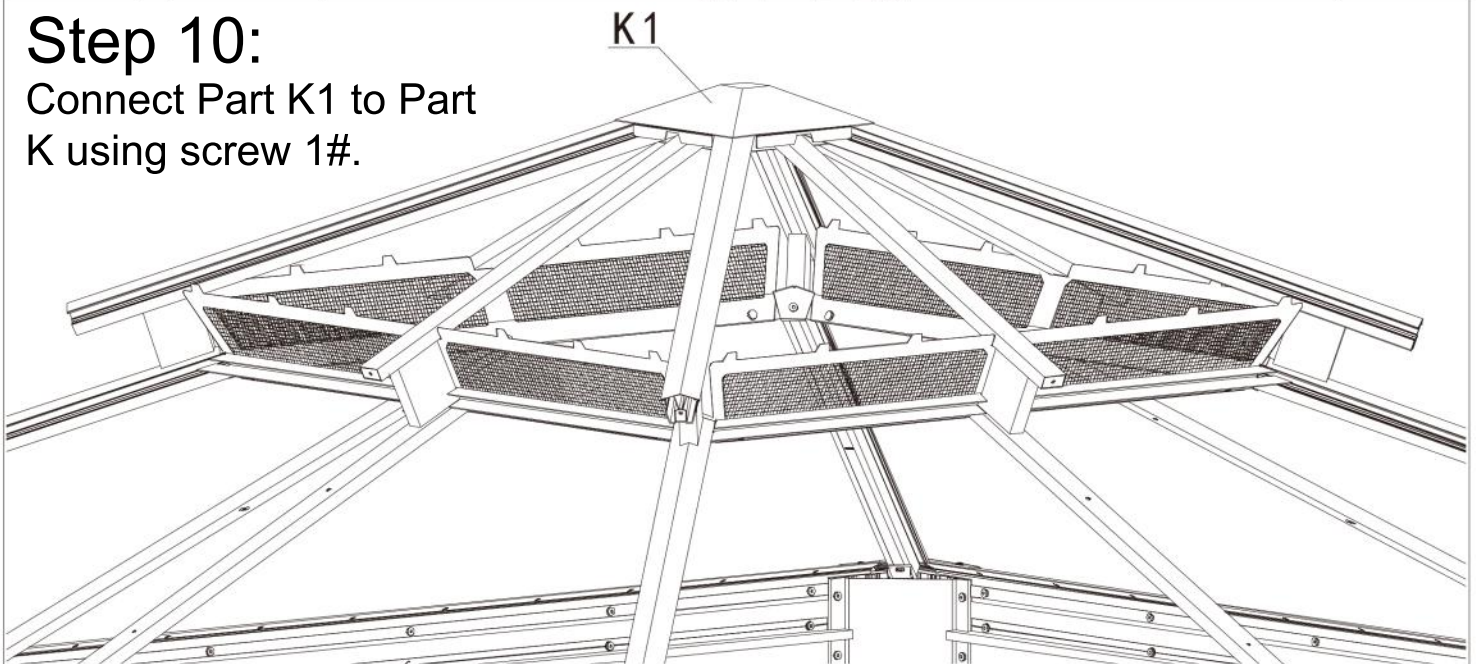
K1 x1

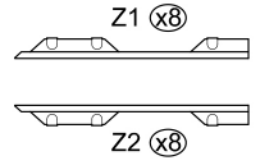
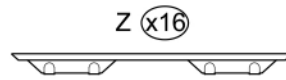
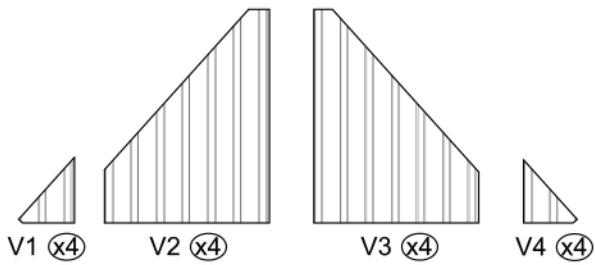


1#
x1



Step 10:
Connect Part K1 to Part
K using screw 1#.





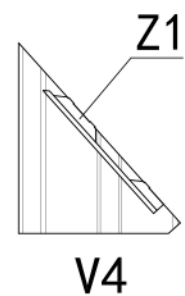
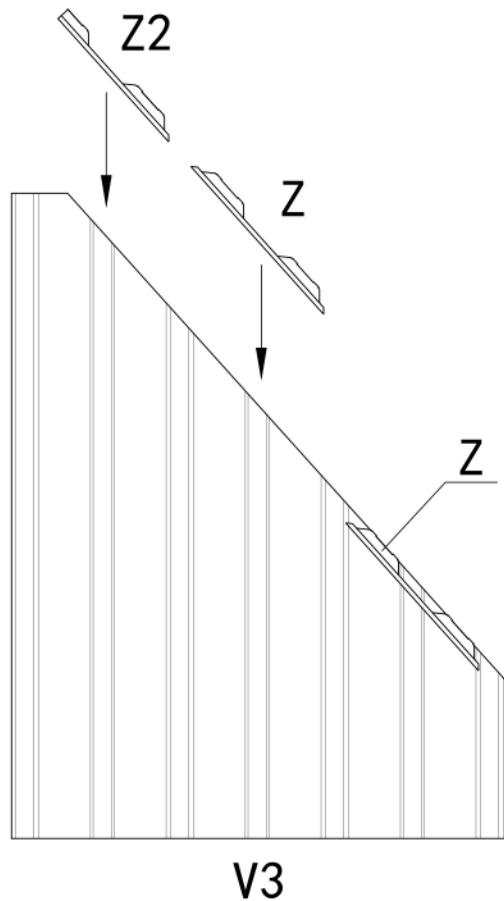
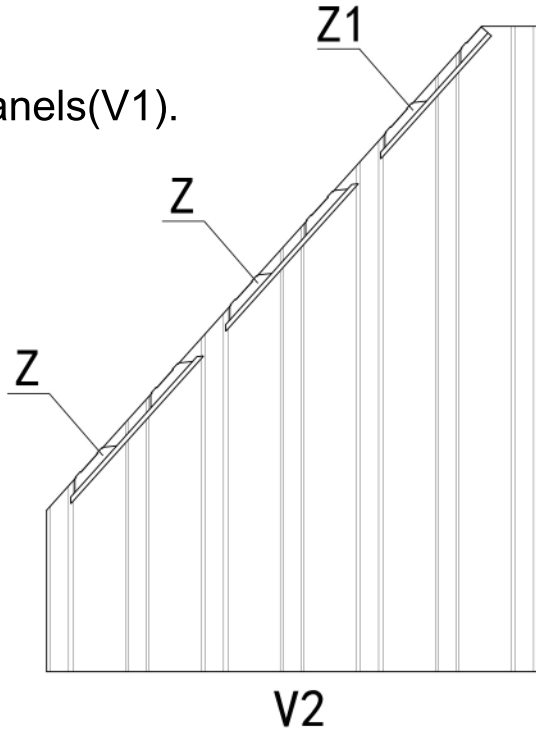
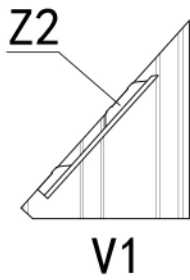
Step 11:

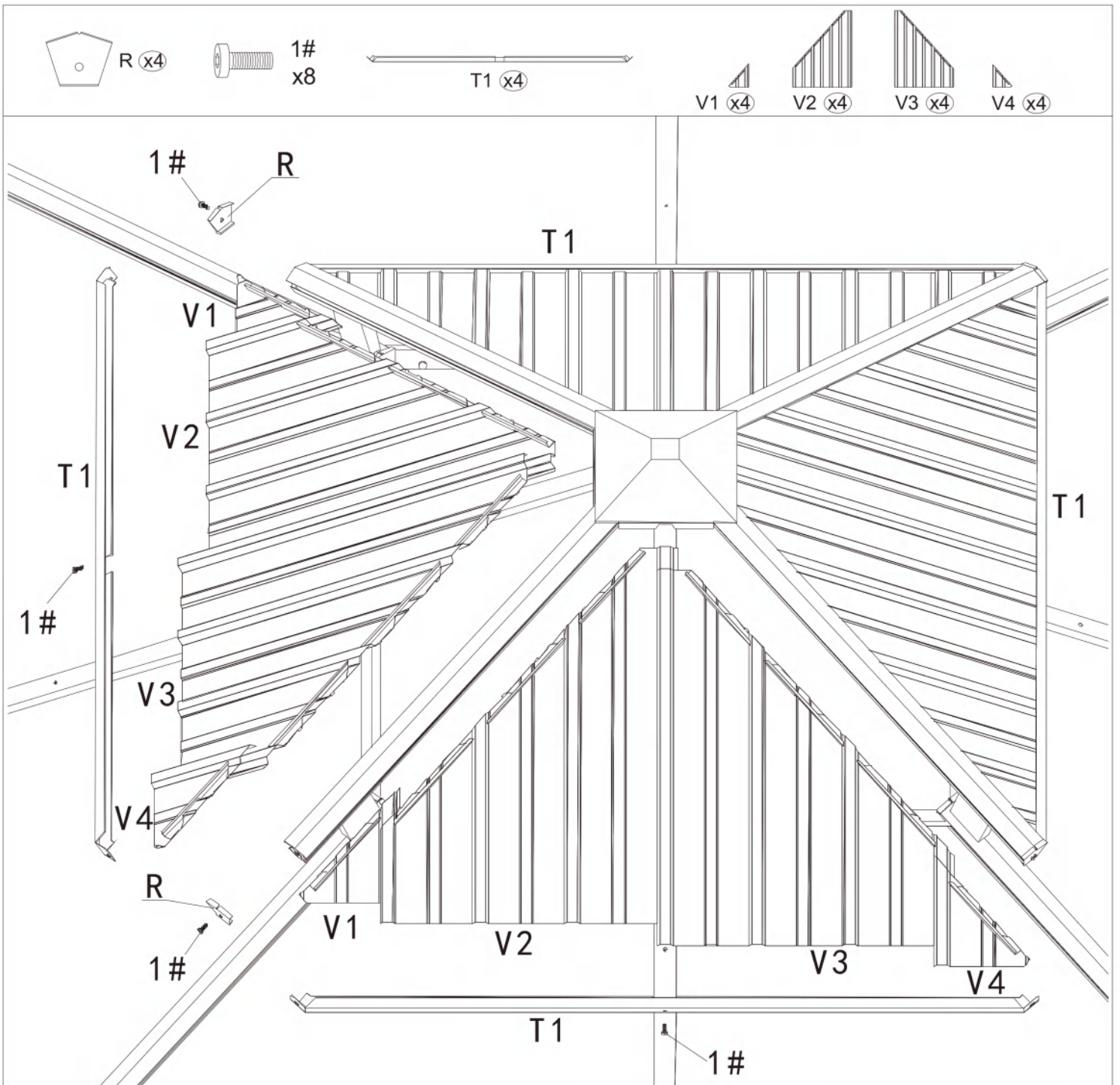
Cover Part Z2 to Roof Panels(V1).

Cover Part Z,Z1 to V2.

Cover Part Z2,Z to V3.

Cover Z1 to V4.

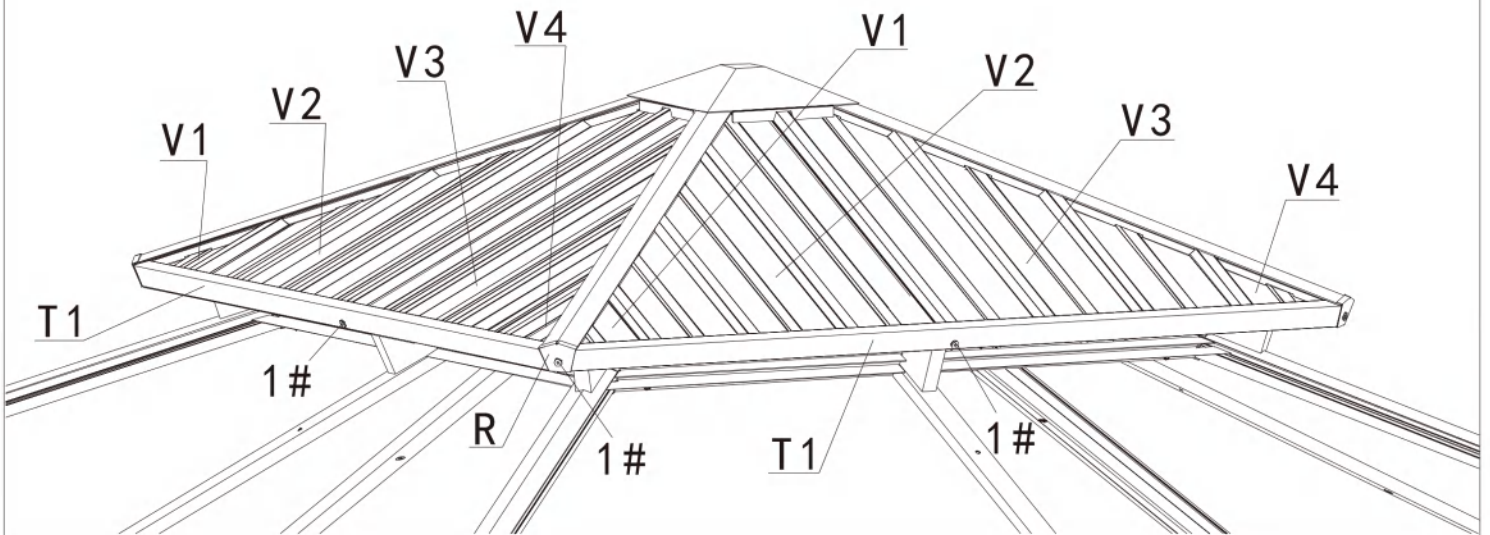


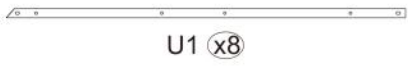


Step 12:

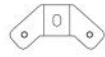
Push Part V1,V2,V3,V4 to the top Roof.

Connect Part T1 to the Roof with Part R using Screws 1#.





U1 (x8)



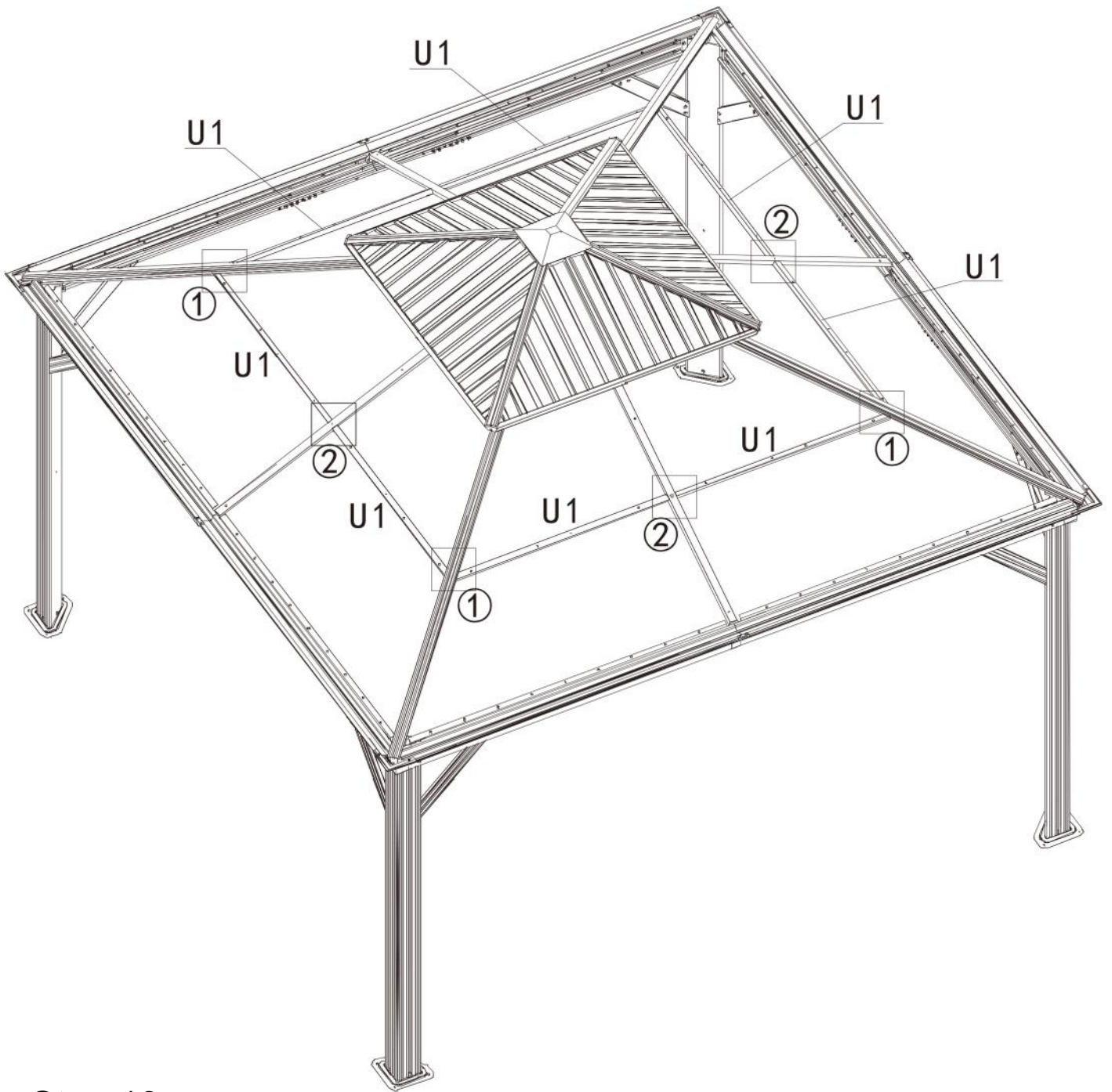
U3 (x4)



U4 (x4)

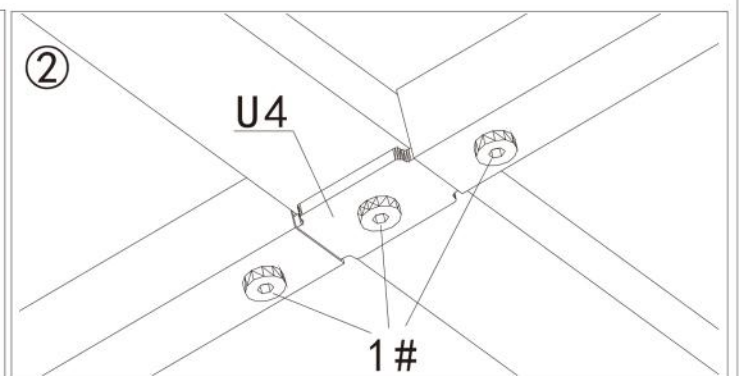
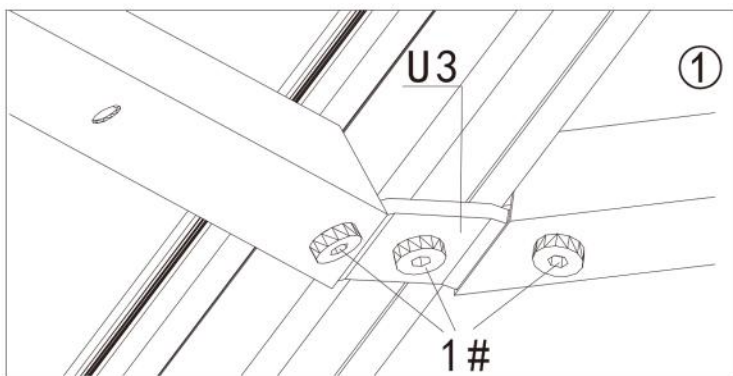


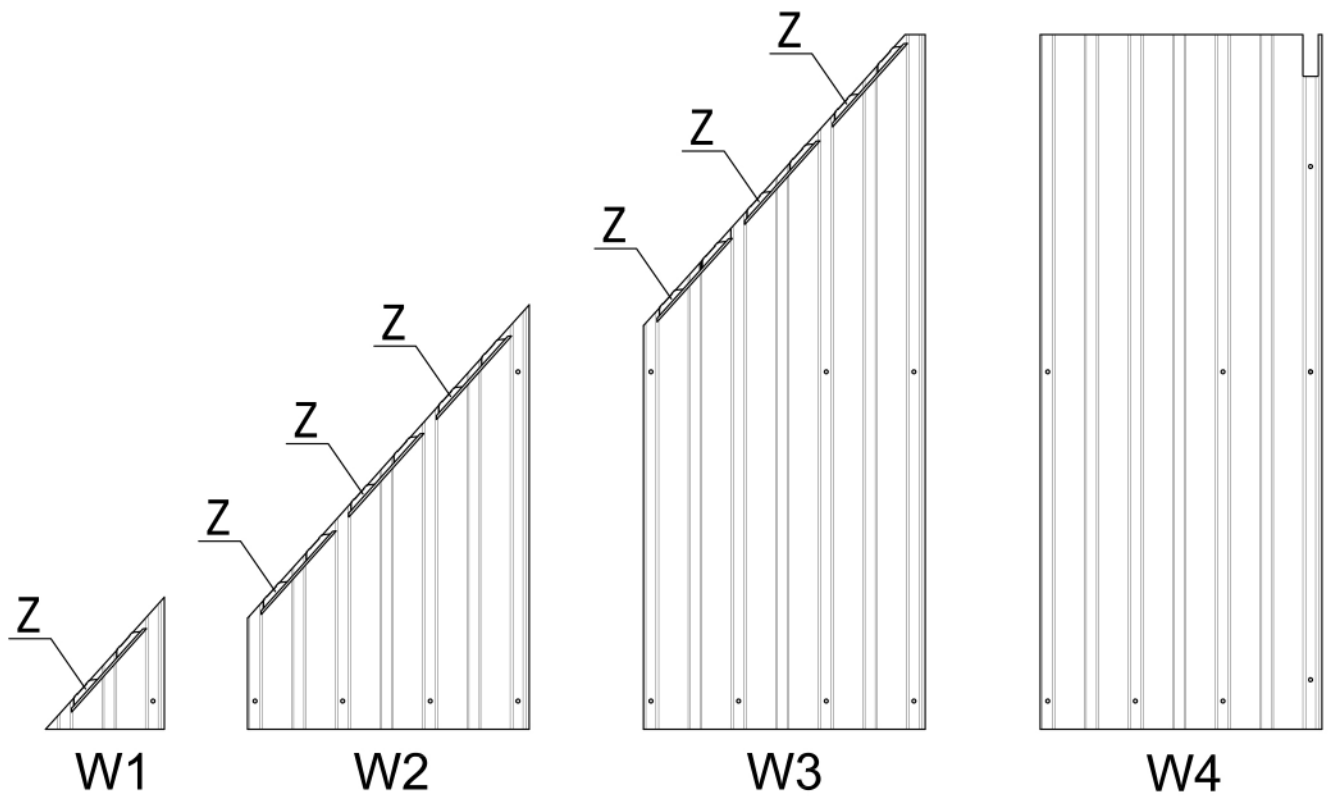
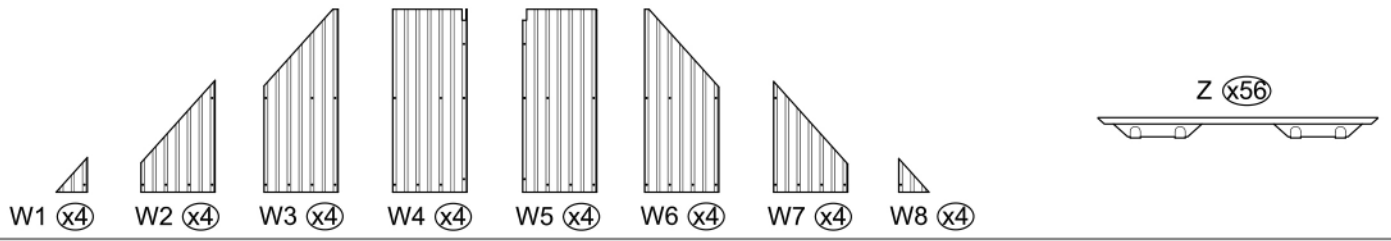
1#
x24



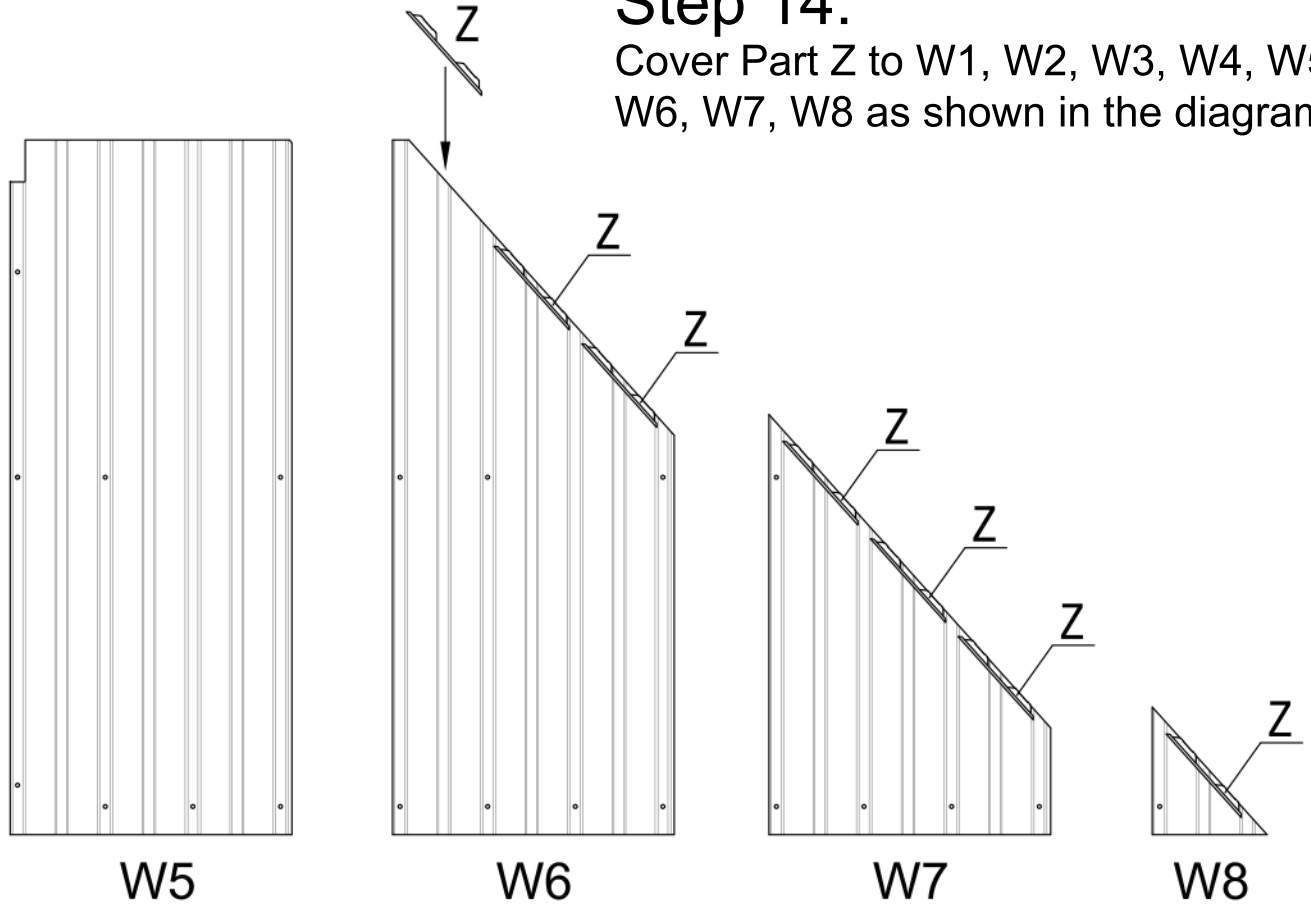
Step 13:

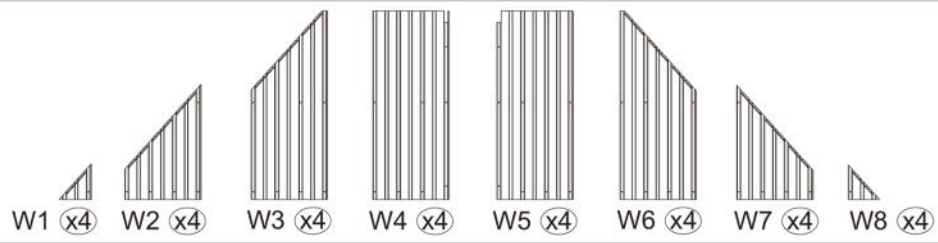
As shown, Affix Part U3 to ① with Screws 1#. Affix Part U4 to ② with Screws 1#.





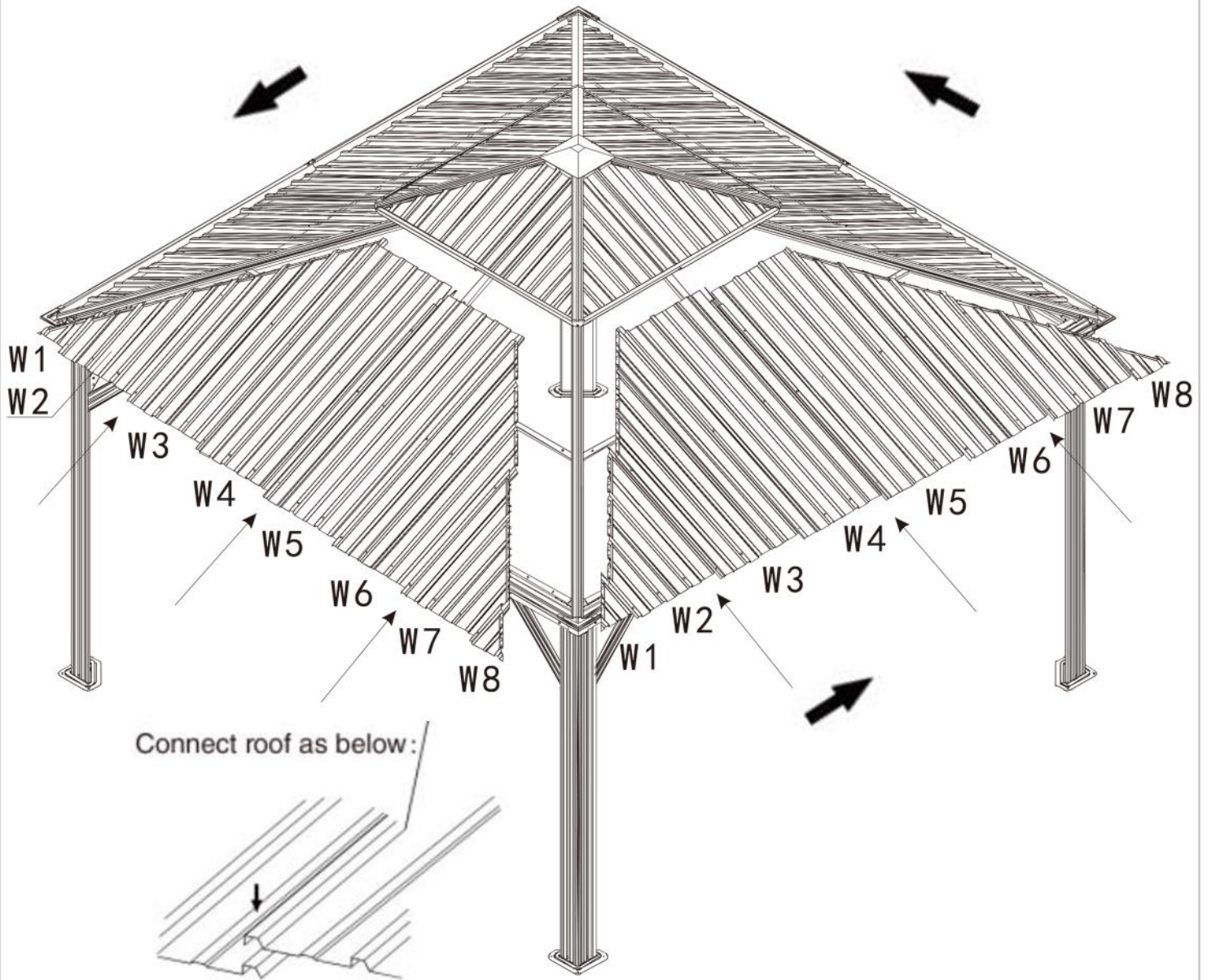
Step 14:
 Cover Part Z to W1, W2, W3, W4, W5, W6, W7, W8 as shown in the diagram.

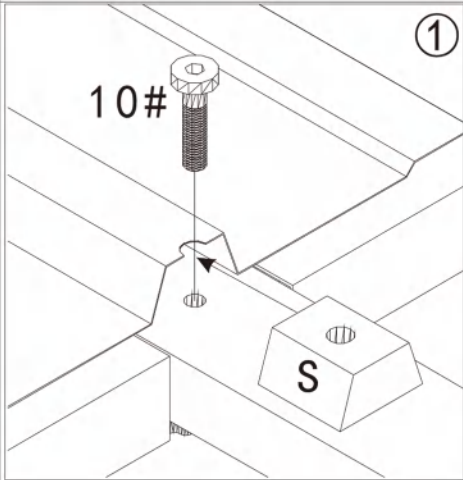
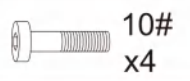
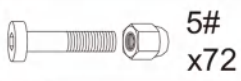




Overall roof assembly:

Please put the panels on the frame anti-clockwisely

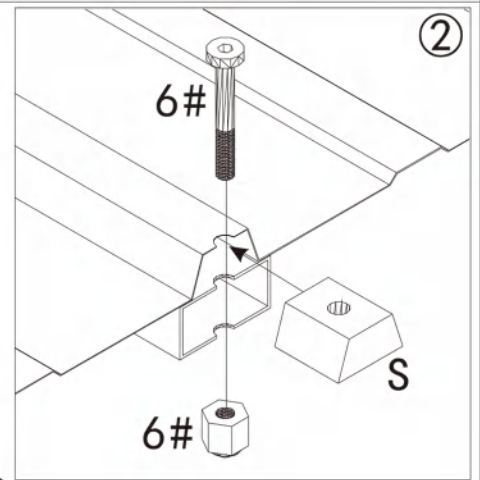




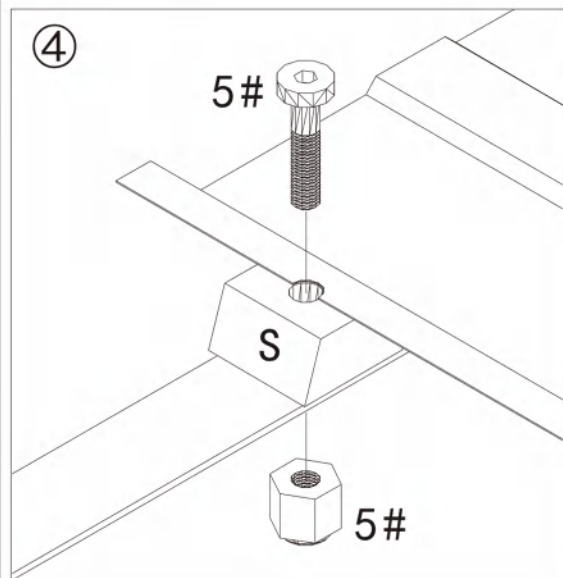
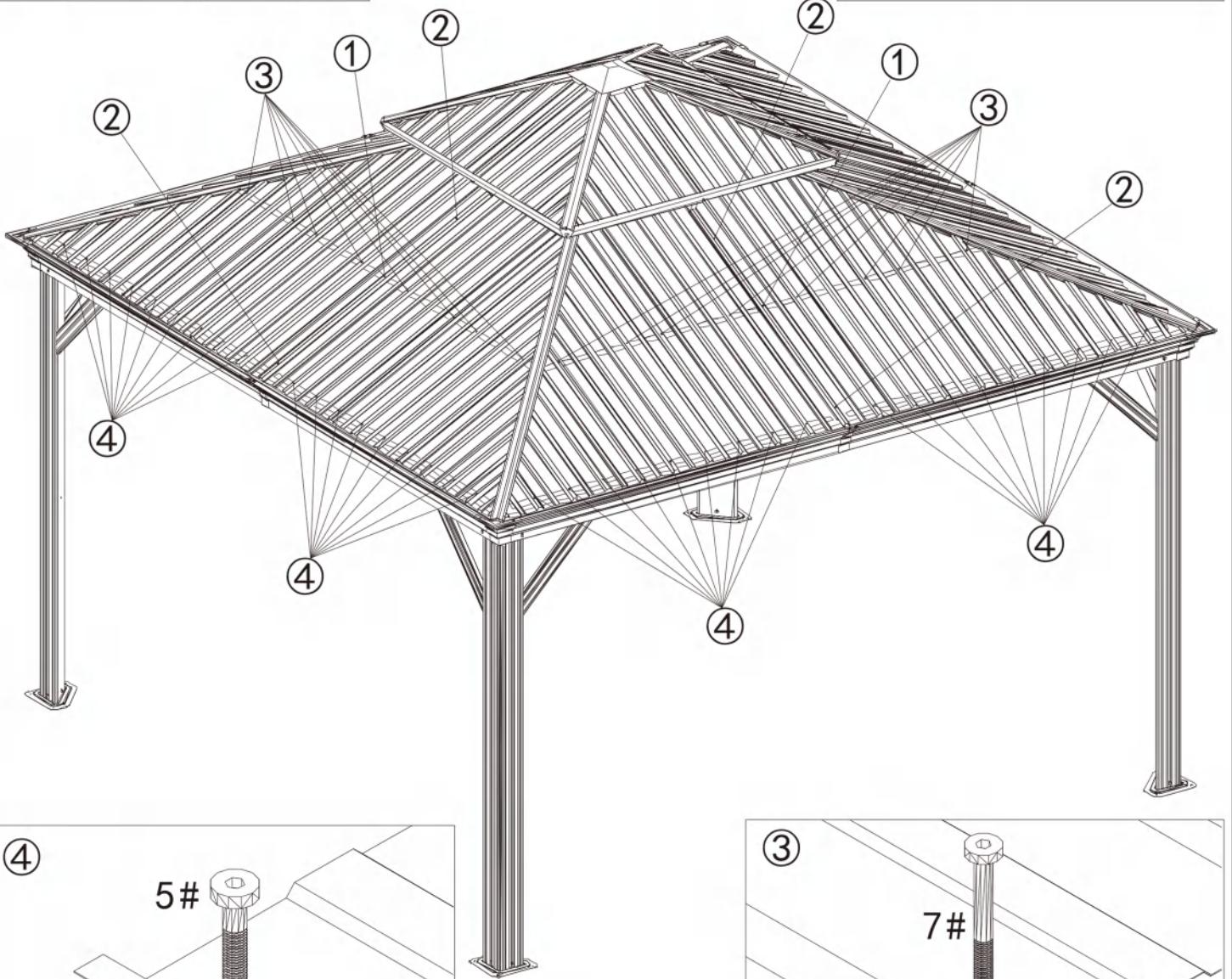
①

Step 15:
Affix the roof panels with screws and Part S.

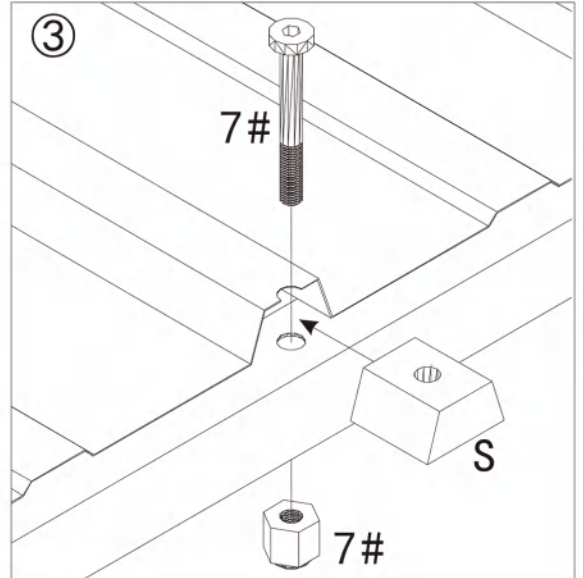
Note:
Before installing the second roof panel, put on one roof panel and fasten it.



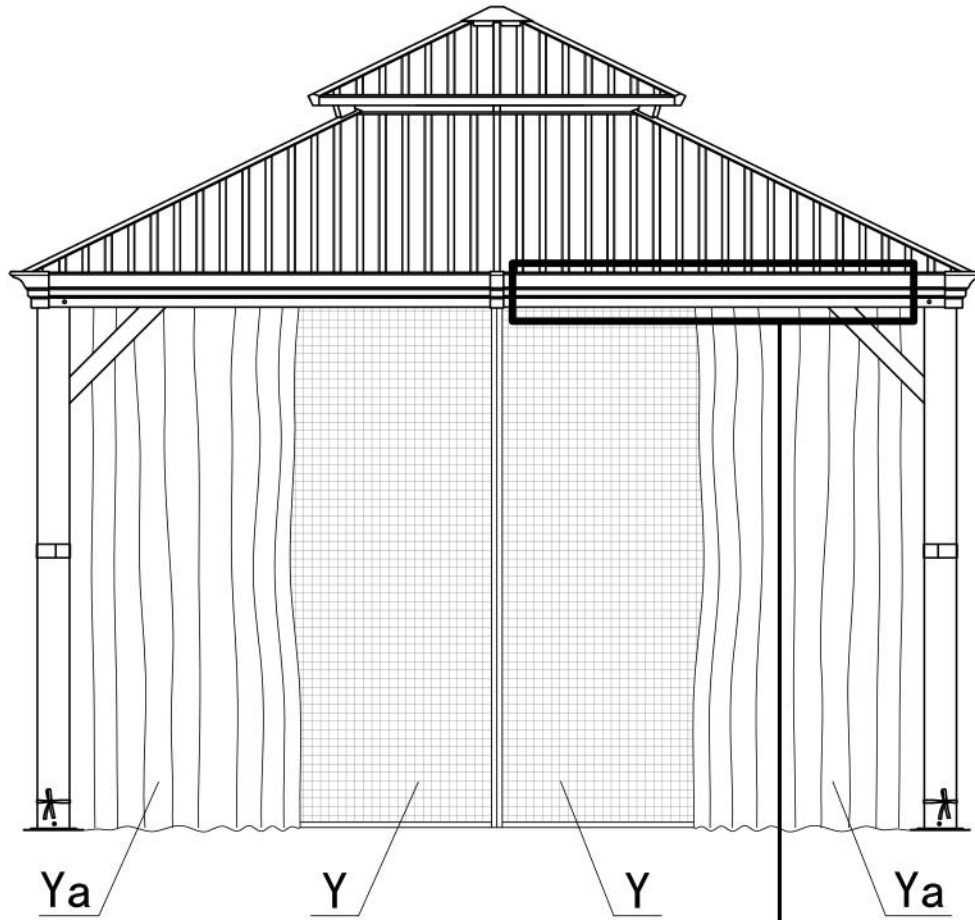
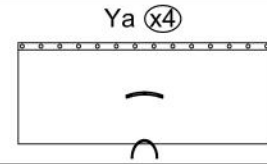
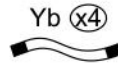
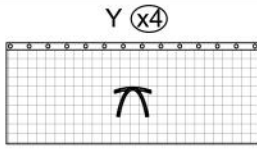
②



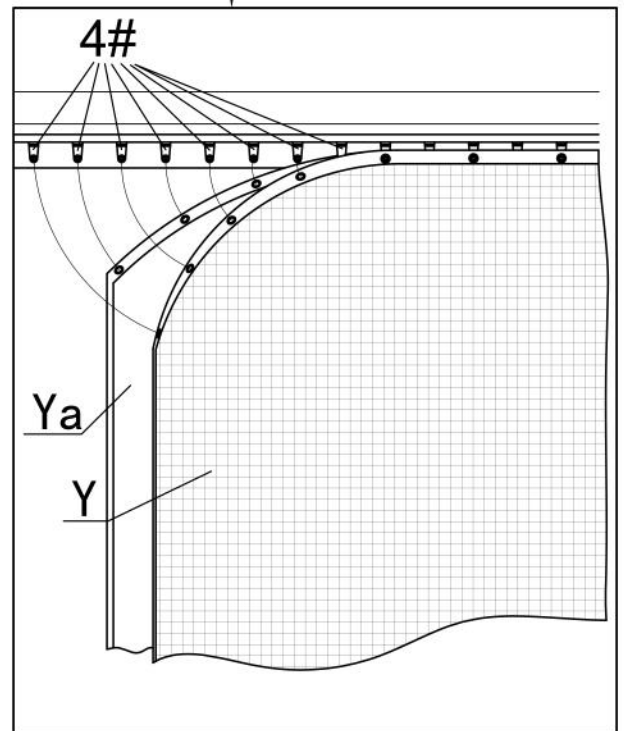
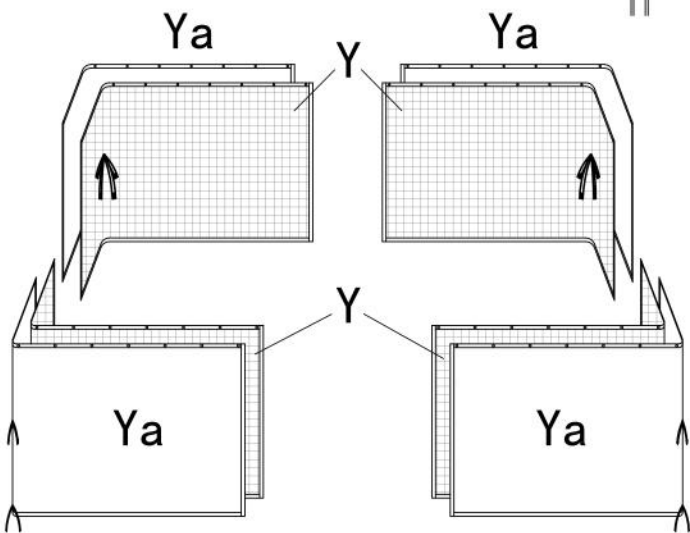
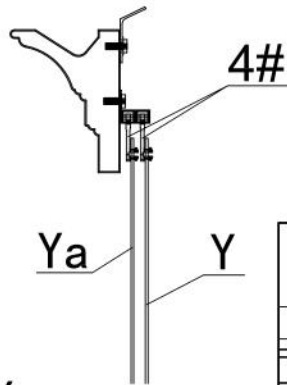
④

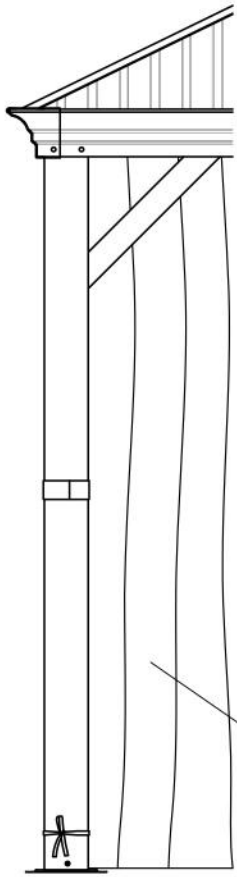


③



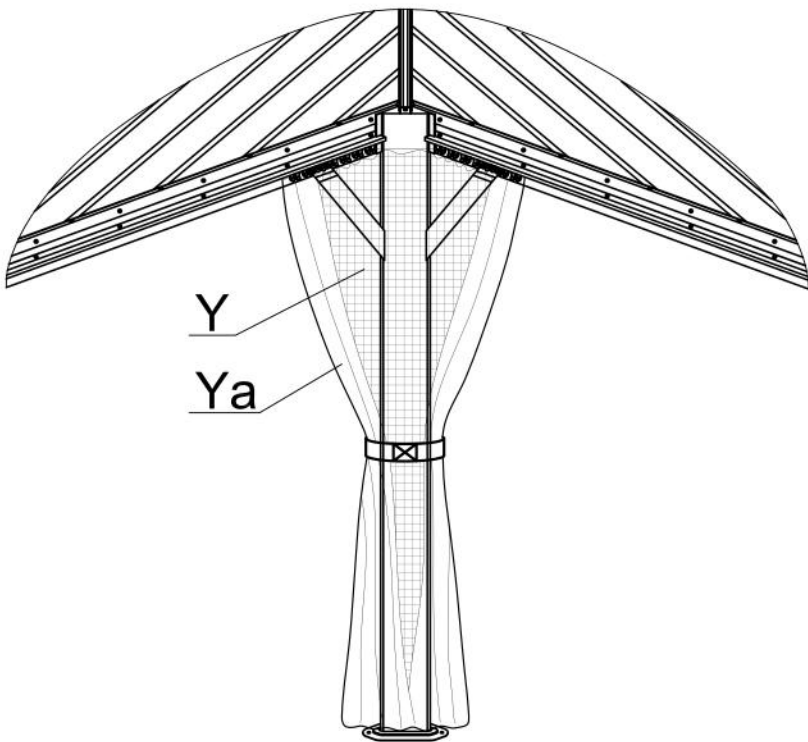
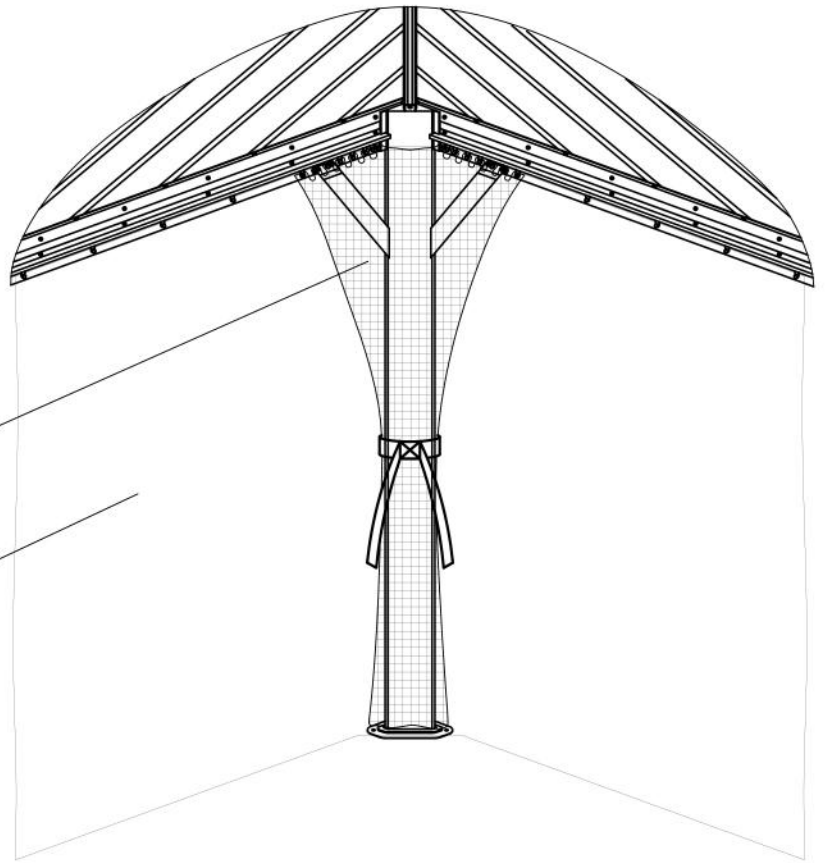
Step 16:
Hang up mosquito net
and solid sidewalls.



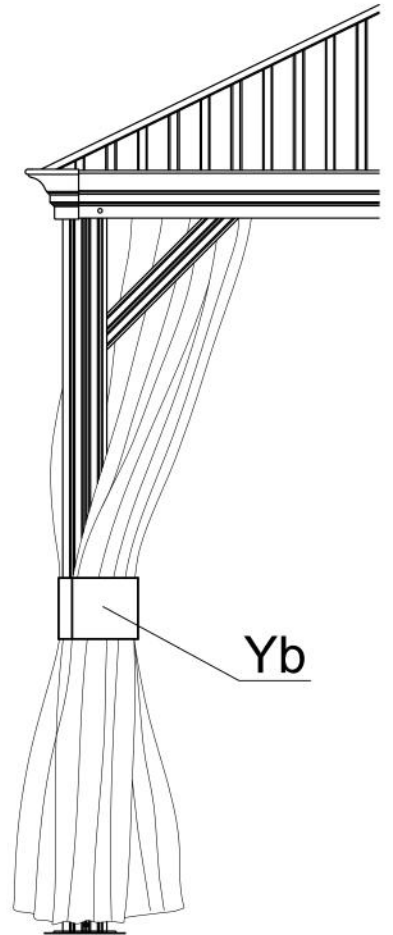


Y
Ya

Ya



Y
Ya



Yb



RESORT COMFORT IN YONR
OWN BACKYARD

Thanks for your purchase.

At domi outdoor living, we believe in our products.

That's why we provide a 12-month warranty and

friendly, easy-to-reach after-sales service. So if you

have any questions about our product and assembly-

,please feel free to contact us. We will be here for you.

Support:  

email: service@domioutdoorliving.com

Please tell us your order ID when contact.

Attach photos of damaged part for instant reply.