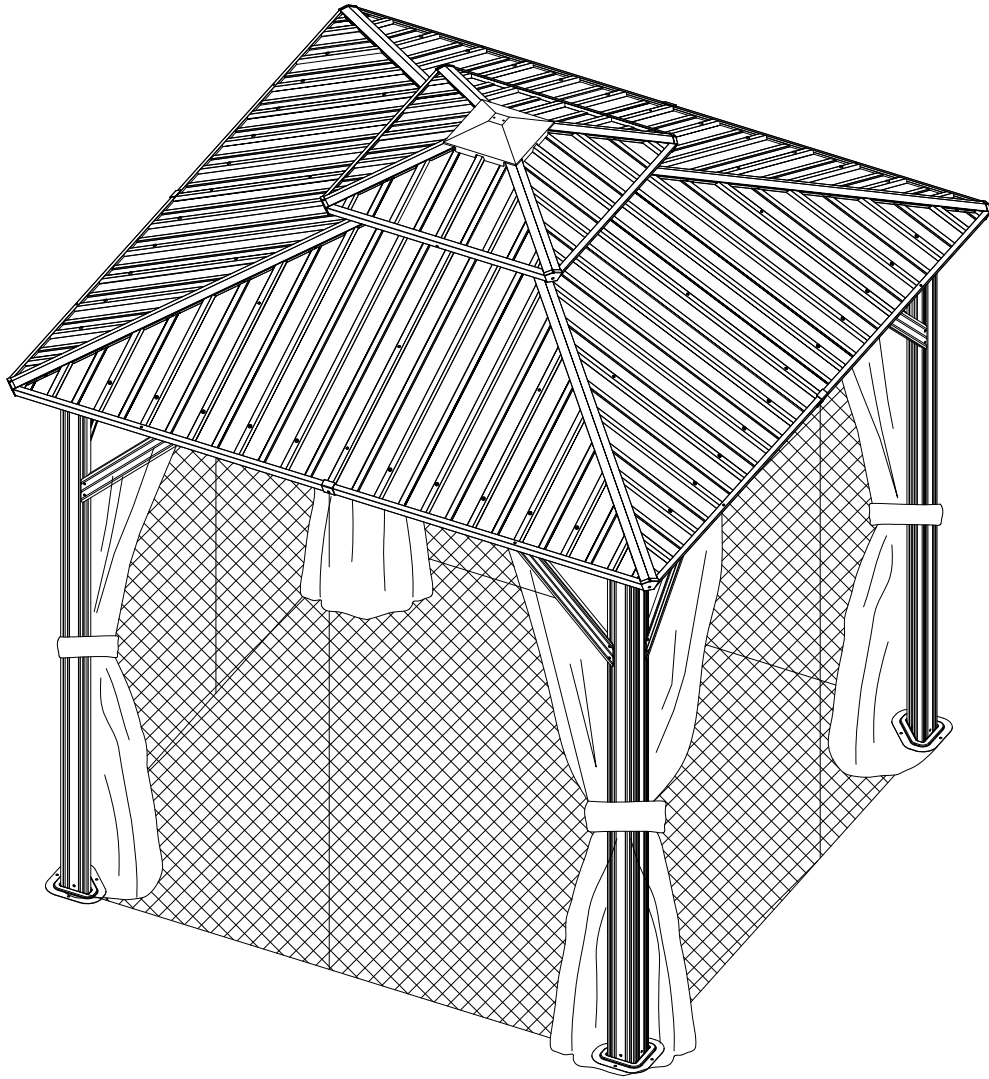


8 'x 8 ' Metal Patio Gazebo

ASSEMBLY MANUAL



MODEL#:LGMF1654A

Missing part? Damaged? Contact us via email at

service@domioutdoorliving.com

www.domioutdoorliving.com

Pre-assembly



1. Two or more people are required for assembly.



2. You will need one or more stepladders.



3. Wearing protective gloves is recommended.



4. You may need a safety hat.



5. Please use a Phillips screw driver.



6. For ease of construction, you may need a drill.



7. You may need a safety goggle.



8. Do not fully tighten screws prior to complete assembly.

Warning & Attention

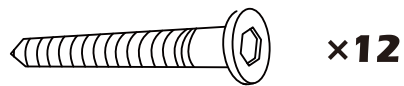
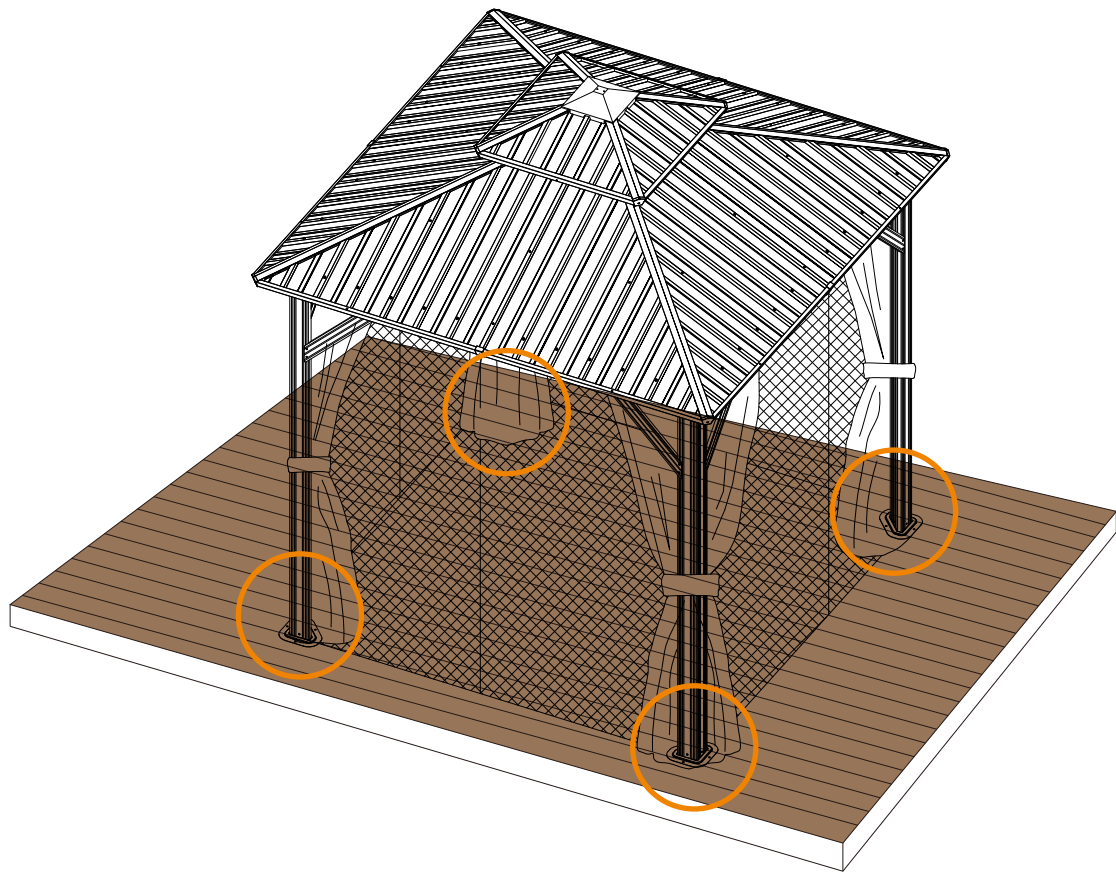
-Try to assemble this product on the flat ground, otherwise it is difficult to carry out;

-It would be much easier to assemble the product with three or more people;

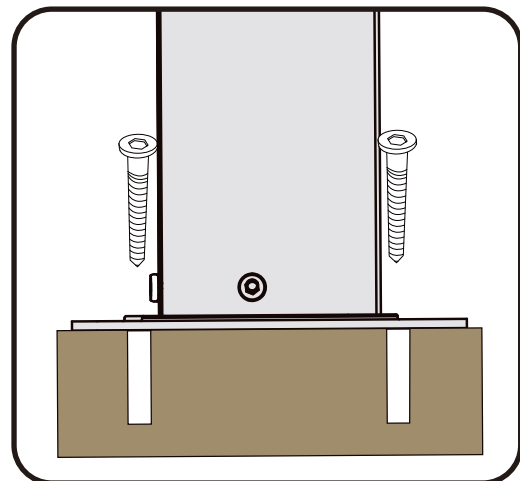
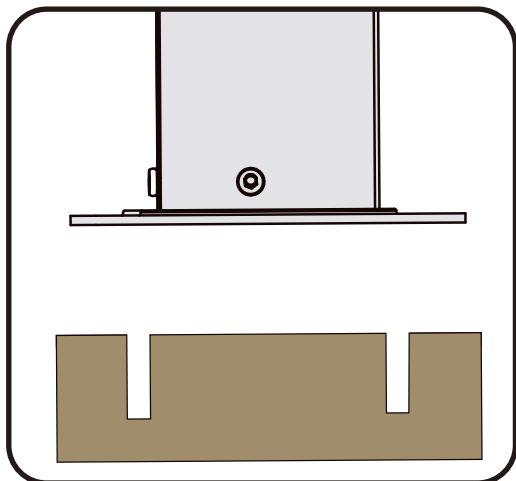
-After assembly, please check whether all screws are tightened, to prevent parts from falling apart.

▲ Use bolts to secure the frame to the ground to against the strong wind.

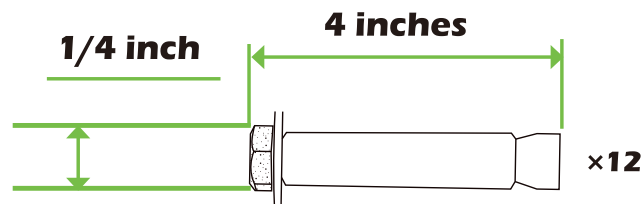
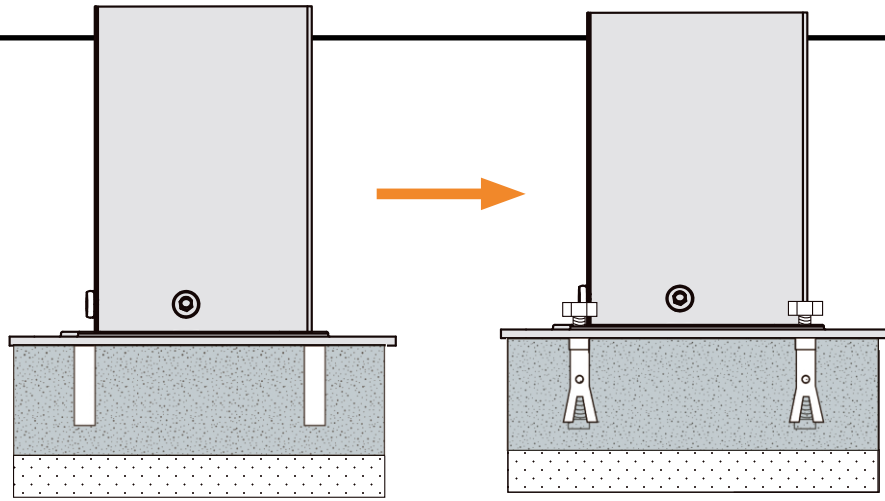
1



If the deck is hard wood and the depth of it is over 3 inch, you can use **5/16 in. x4 in. Structural Wood Screw** to mount the gazebo.

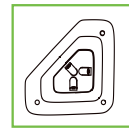
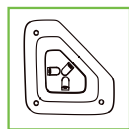
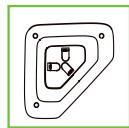


2



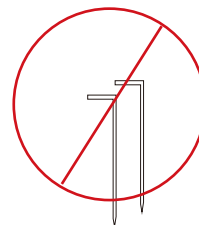
If the ground is concreted and the depth of it is over 3 inch, you can use 1/4 inch expansion bolts to mount the gazebo

3



Or you can make a concrete footing for gazebo, **15×15×15 inches** is recommended. use expansion bolts to mount the pergola like (2) shows.

IMPORTANT:
Anchor is not recommended





A 4x Pole



C 4x Beam



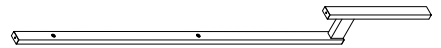
C1 4x Beam



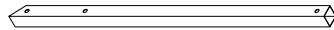
E 4x Corner Roof Bar



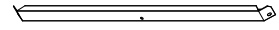
E1 4x Corner Roof Bar Connector



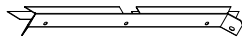
E2 4x Roof Bar



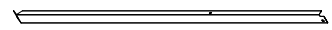
F 8x Solidfying Bar



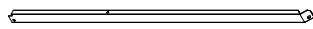
H 4x Finishing Bar



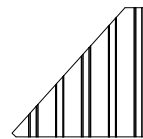
J 4x Finishing Bar



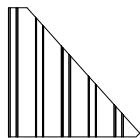
K 4x Finishing Bar



K1 4x Finishing Bar



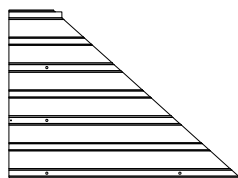
L1 4x Roof Panel



L2 4x Roof Panel



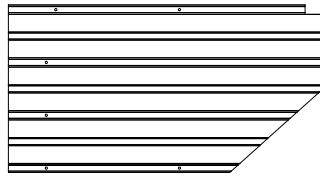
M1 4x Roof Panel



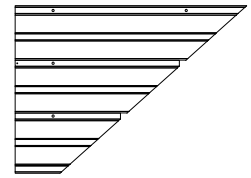
M2 4x Roof Panel



M3 4x Roof Panel



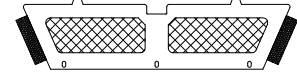
(M4) 4x Roof Panel



(M5) 4x Roof Panel



(M6) 4x Roof Panel



(Q) 4x Net Frame



(T) 4x Track



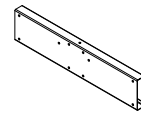
(T1) 4x Track



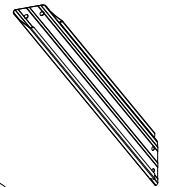
(B) 4x Base



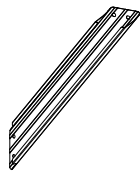
(B1) 8x Bracket



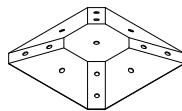
(C2) 4x Union Bar



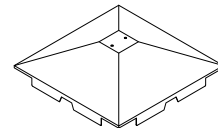
(R) 4x Corner Solidifying Bar



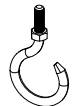
(R1) 4x Corner Solidifying Bar



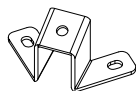
(S) 1x Inside Roof Cover



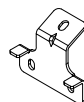
(S1) 1x Outside Roof Cover



(S2) 1x J-Hook



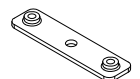
(U) 4x Bracket



(U1) 4x Bracket



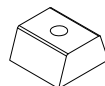
(U2) 4x Bracket



(U3) 4x Bracket



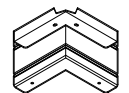
(V) 80x Hook



(W) 56x Spacer



(X) 4x Joint Cover



(X1) 4x Corner Cover



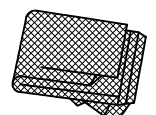
(X2) 4x Finishing End



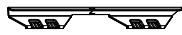
(X3) 12x Finishing End



(Y) 4x Curtain



(Y1) 4x Mosquito Netting



Z 40x Plastic Bracket



Z1 4x Plastic Bracket



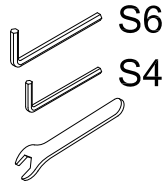
Z2 4x Plastic Bracket



Z3 8x Plastic Bracket



Z4 8x Plastic Bracket



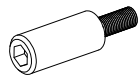
1 1x Wrench



2 12x



3 24x



4 32x



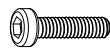
5 56x



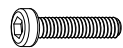
7 16x



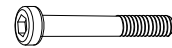
8 212x



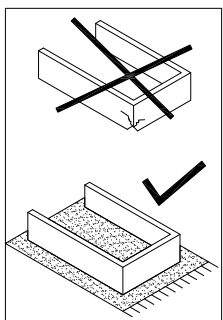
9 8x



10 40x


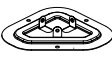
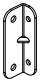




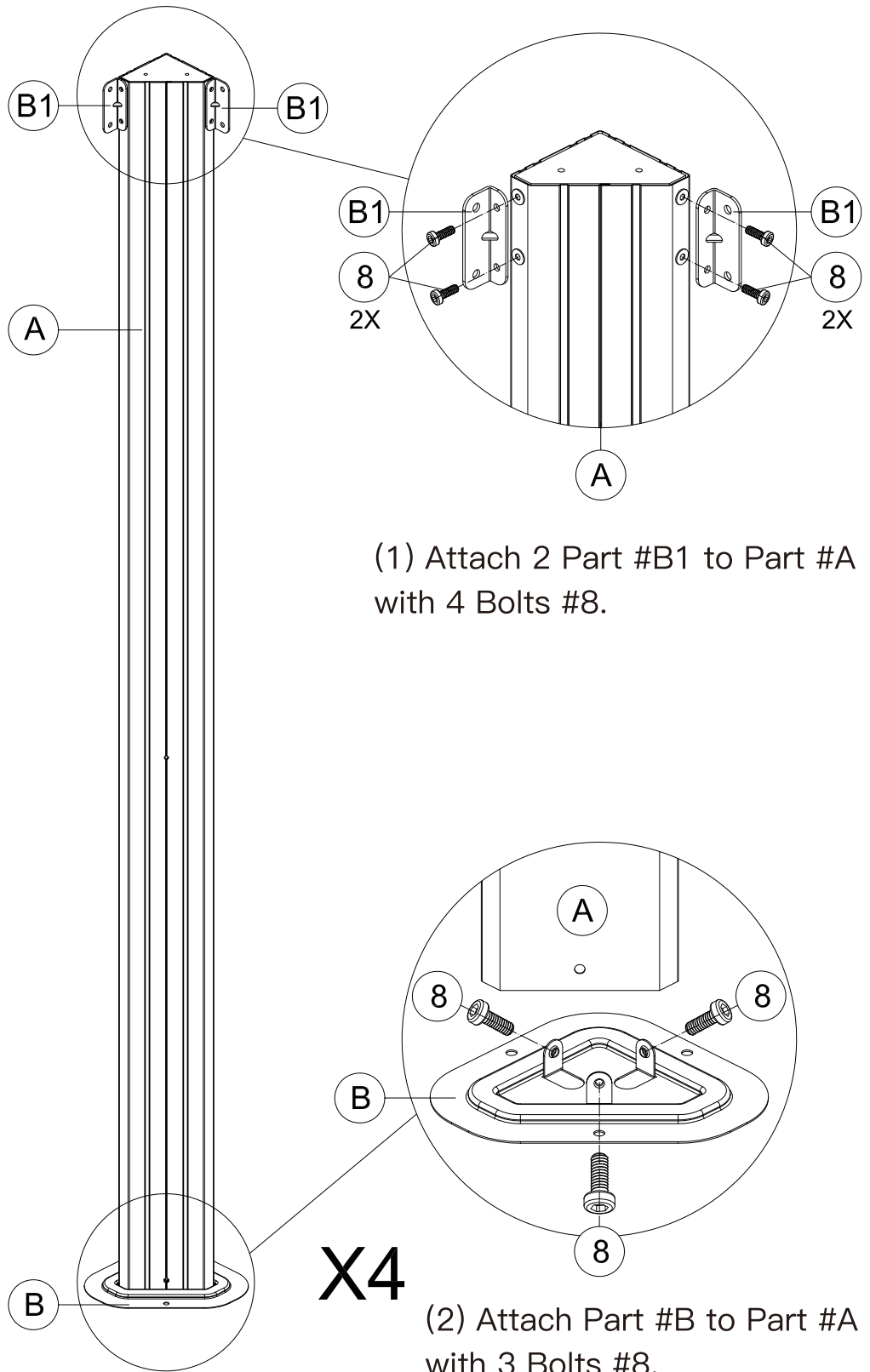
12 8x



4

POST ASSEMBLY:

- 
A 4x
- 
B 4x
- 
B1 8x
-  S4
 1 1x
- 
M6x16
- 8 28x




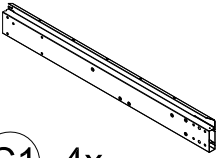
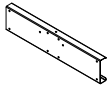
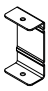


(1) Attach 2 Part #B1 to Part #A with 4 Bolts #8.

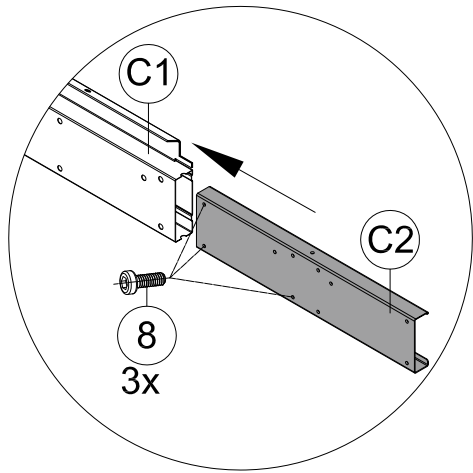
X4

(2) Attach Part #B to Part #A with 3 Bolts #8.

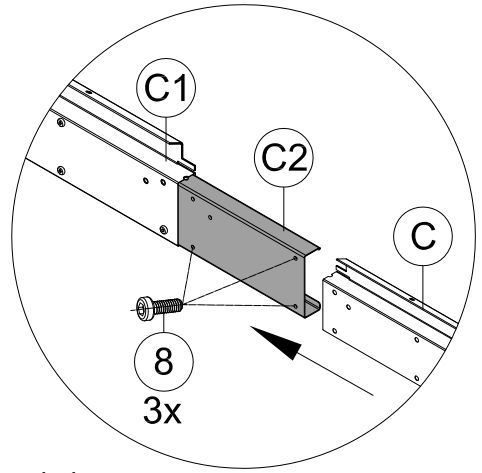
(3) Repeat the above procedures to assemble the other 3 Part #A.

BEAM ASSEMBLY:

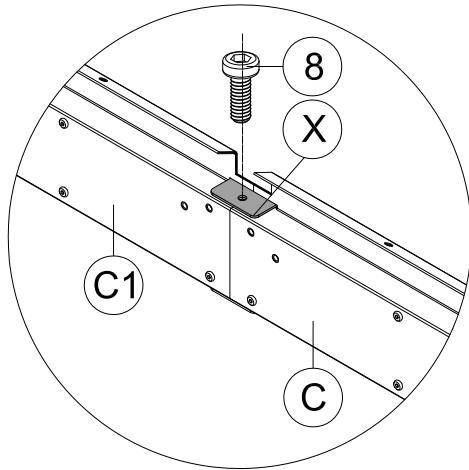
-  **C** 4x
-  **C1** 4x
-  **C2** 4x
-  **X** 4x
-  **S4** 1x
-  **8** 40x



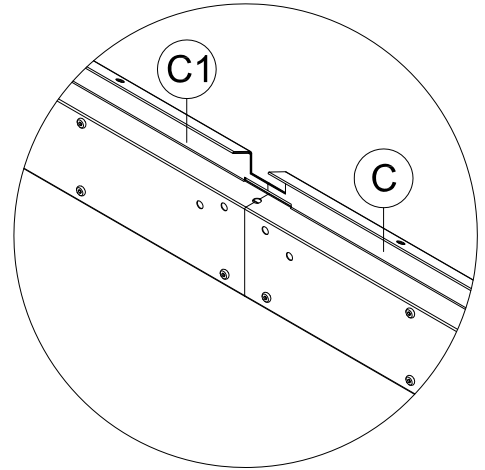
(1) Insert Part #C2 into Part #C1 and secure with 3 Bolts #8.



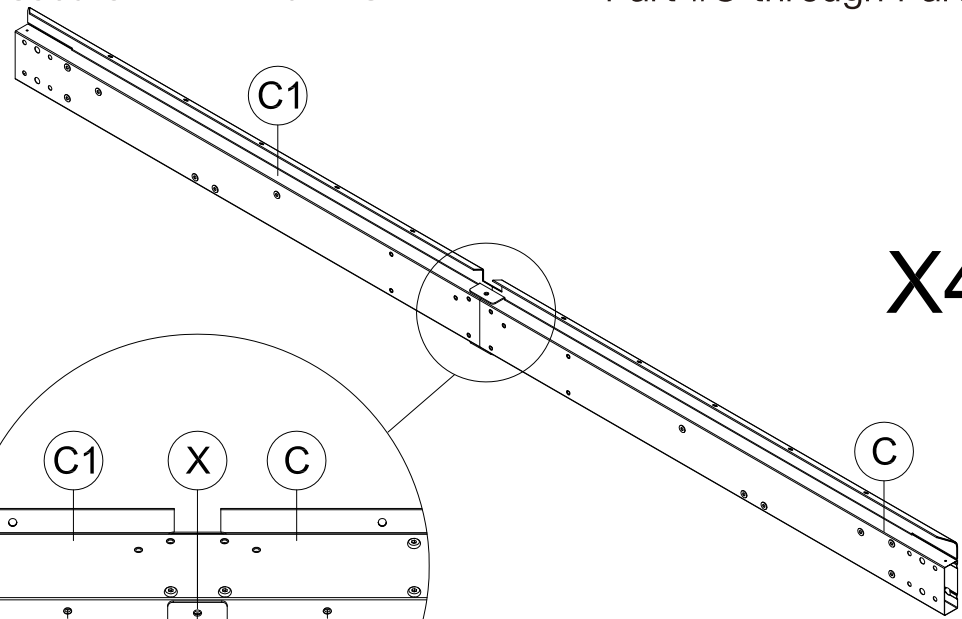
(2) Insert the other side of Part #C2 into Part #C and secure with 3 Bolts #8.



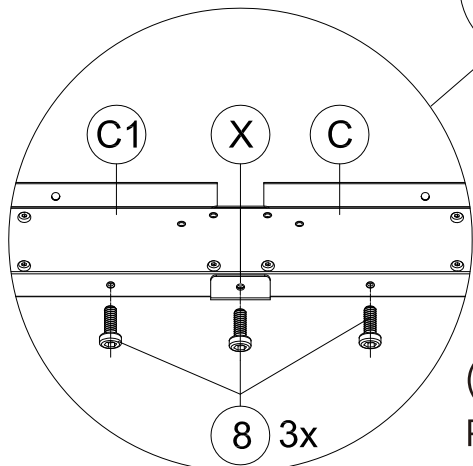
(3) Connect Part #C1 and Part #C through Part #C2.



(4) Insert Part #X into the beam and secure with 1 Bolt #8.

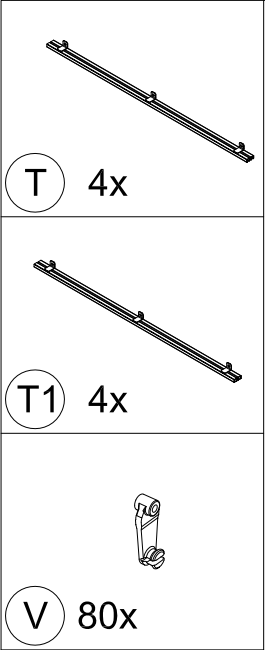


X4



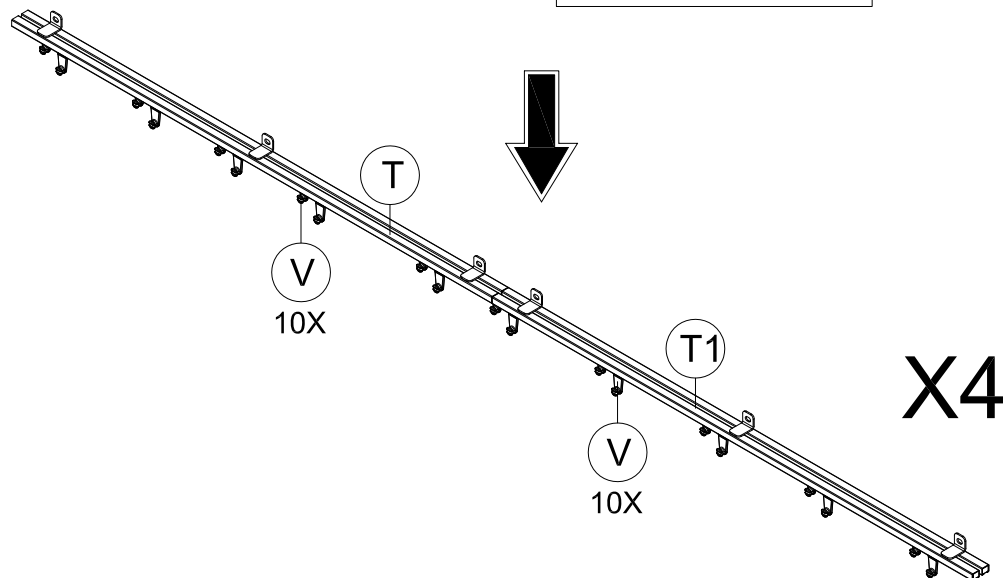
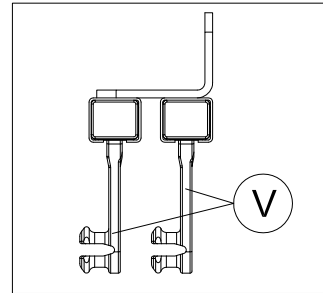
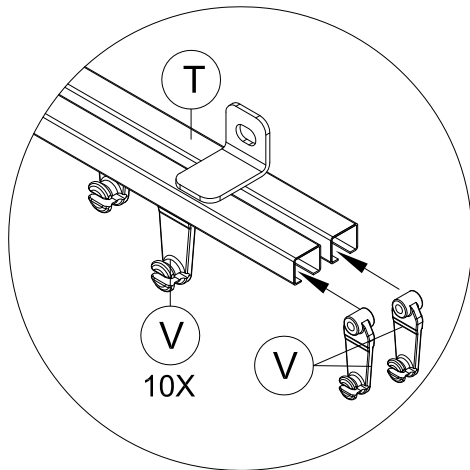
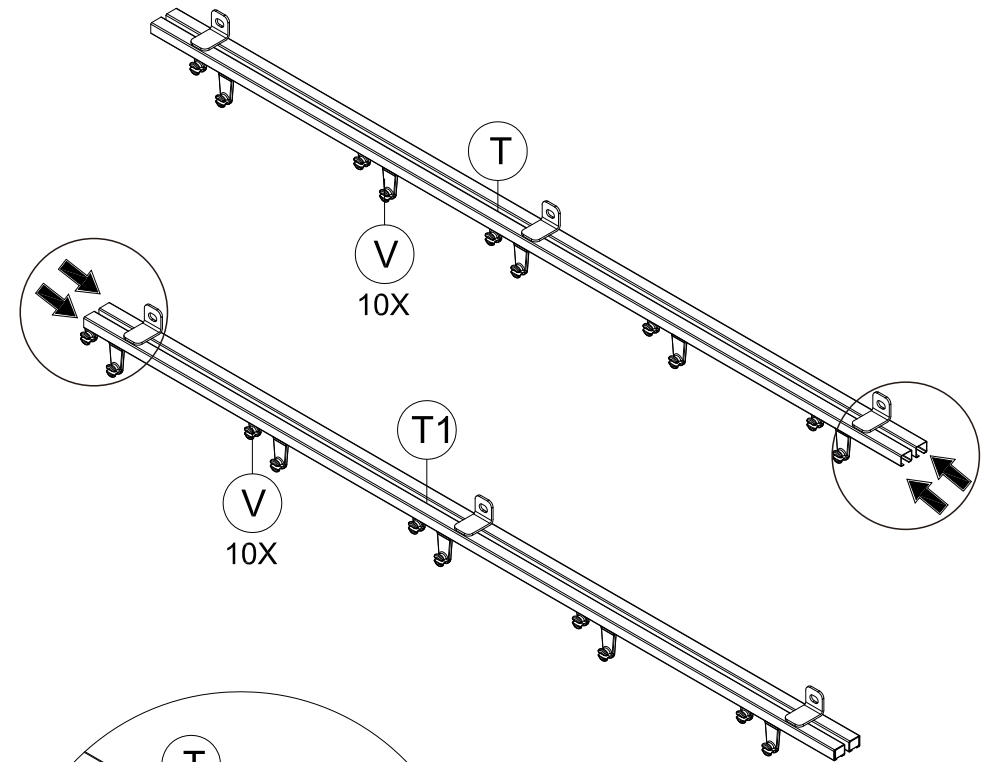
(5) Secure the bottom of Part #X and Part #C/C1 with 3 Bolts #8.

(6) Repeat the above procedures to assemble the other 3 beams.

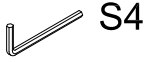


TRACK ASSEMBLY:

(1) Slide the plastic hooks to the double-rail track #T & T1 (each slot should slide 5 plastic hooks).



(2) Repeat the above procedures for the other 3 track #T & T1.



S4

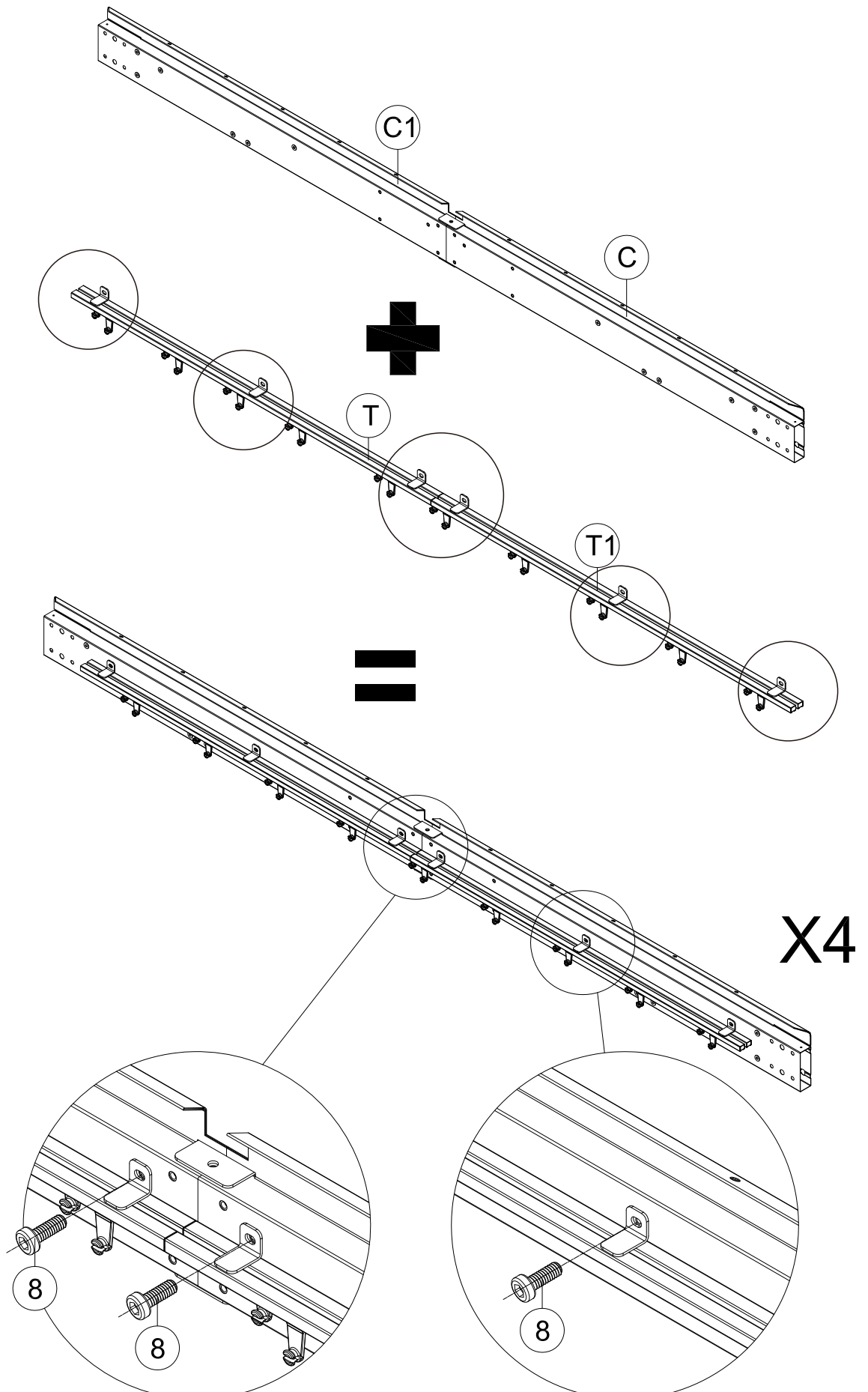
1 1x



M6x16

8 24x

(1) Use 6 Bolts #8 to fix the track T & T1 to the beam C & C1.



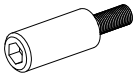
8

(2) Repeat the above procedures for the other 3 beams.



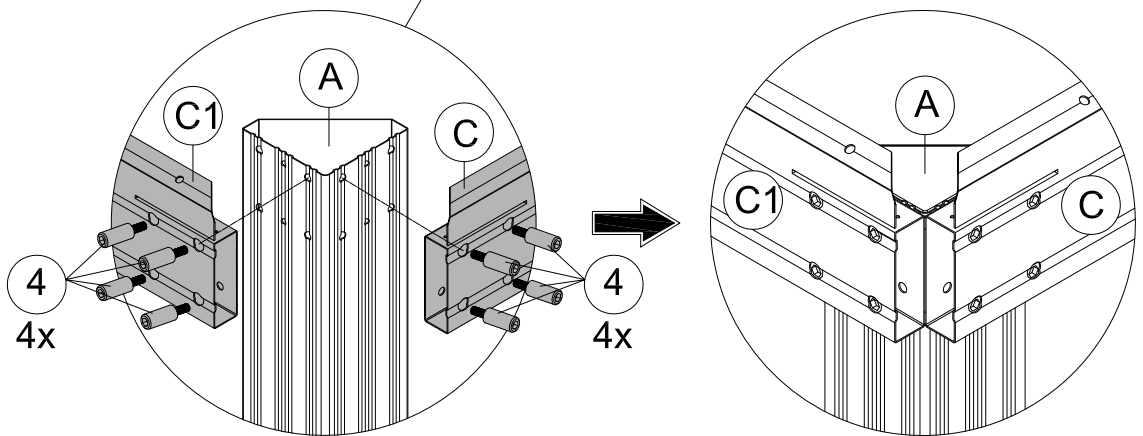
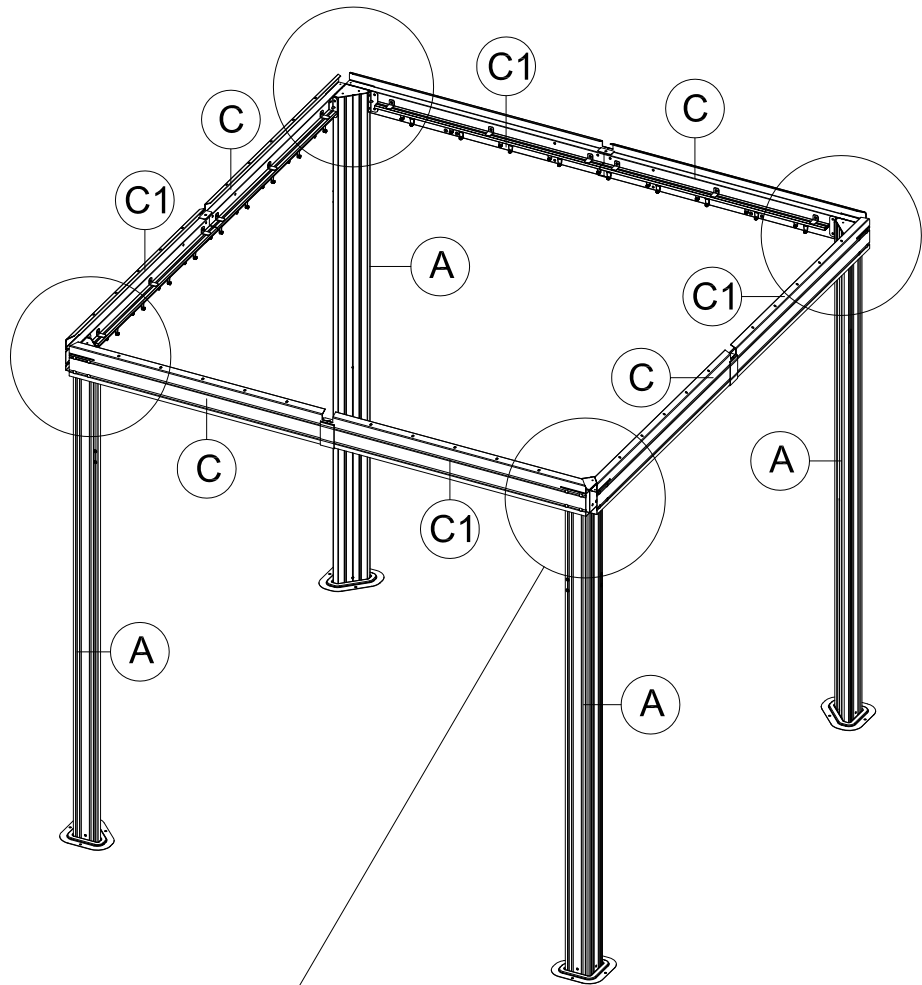
S6

1 1x



M6x15

4 32x



- (1) Connect Part #C/C1 to Part #A with 8 Bolts #4.(From Outside)
- (2) Repeat the above procedures to assemble the other 3 corners.

⚠ Please don't tighten all bolts.

✓ S4

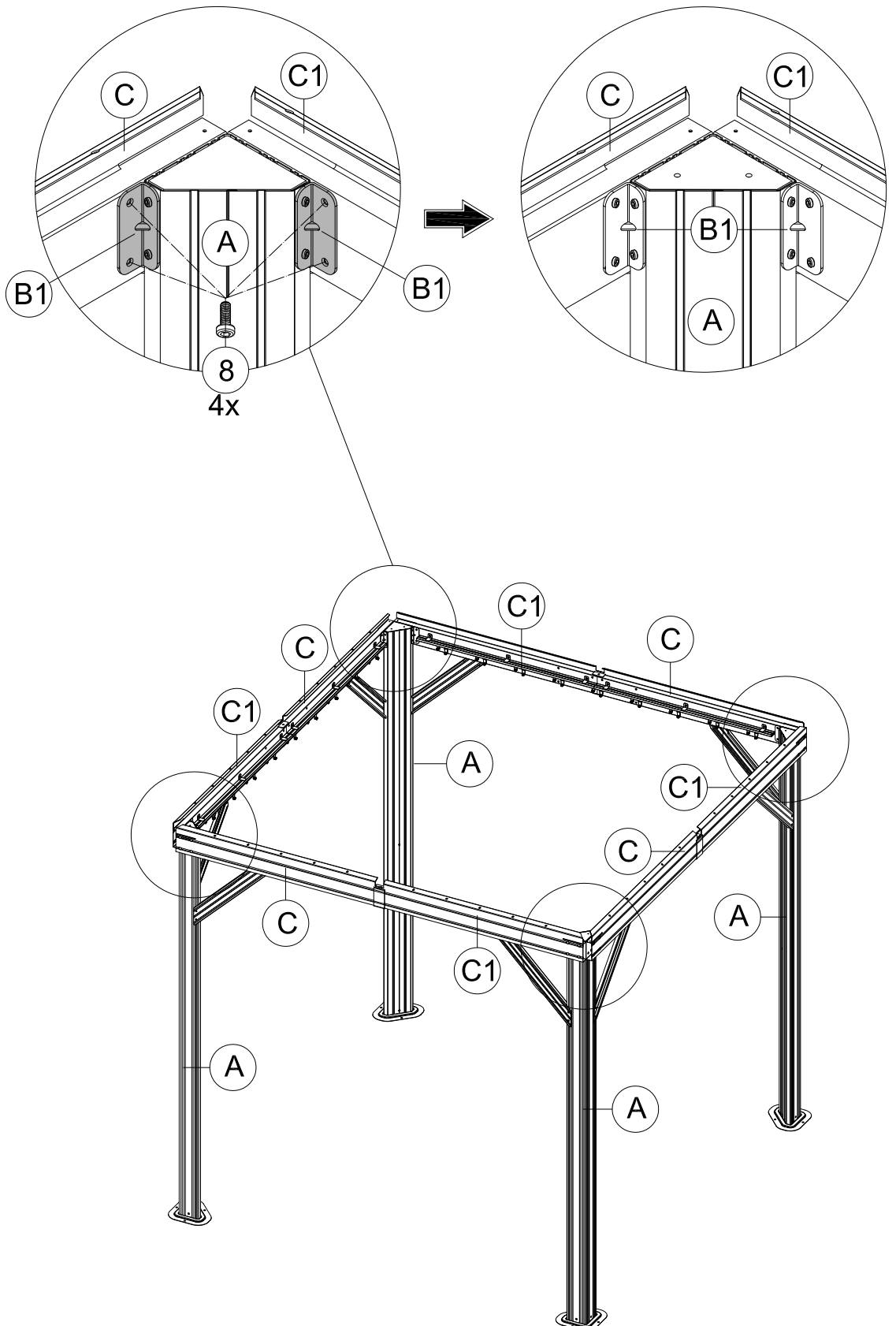
1 1x



M6x16

8 16x

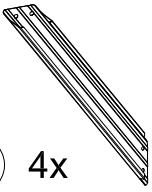
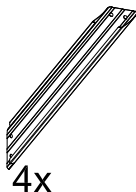
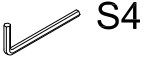
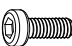
(1) Connect Part #C/C1 to Part #A with 4 Bolts #8.(From Inside)



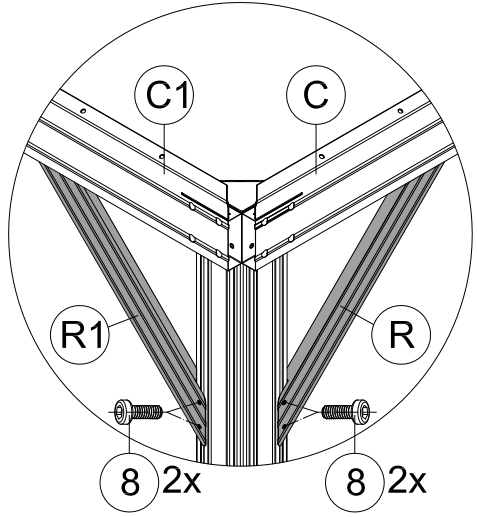
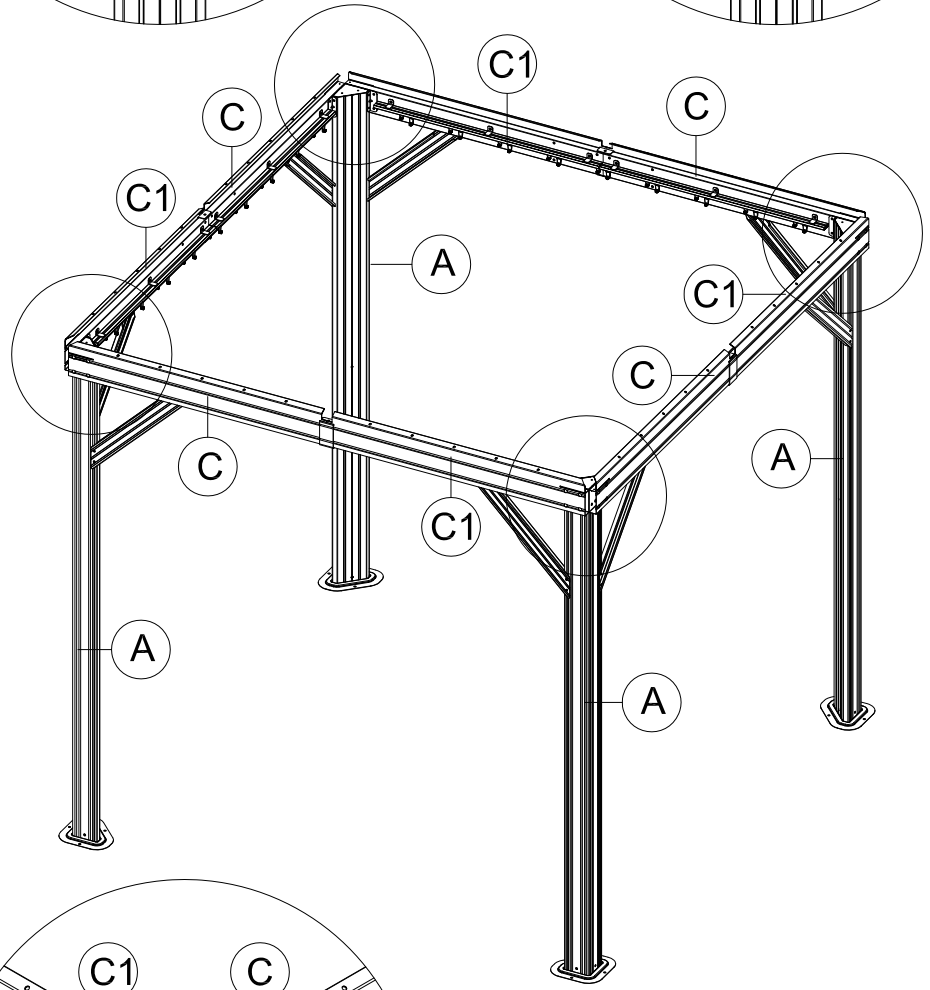
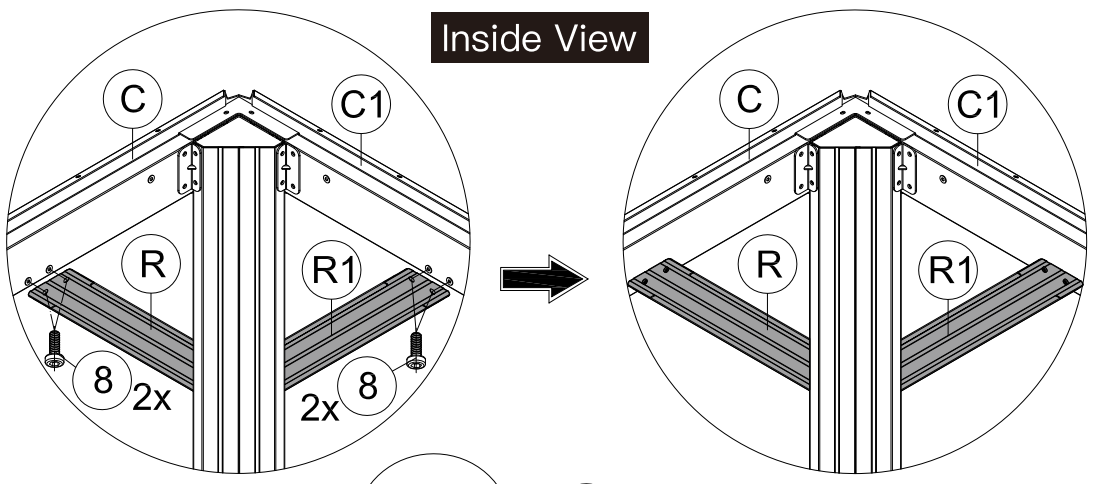
10

(2) Repeat the above procedures to assemble the other 3 corners.

⚠ Please don't tighten all bolts.

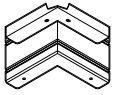
-  **R** 4x
-  **R1** 4x
-  **S4**
- 1** 1x
-  **M6x16**
- 8** 32x

(1) Affix Part #R and Part #R1 to the frame with 8 Bolts #8.



(2) Repeat the above procedures for the other 3 corners.

 Tighten all the bolts.

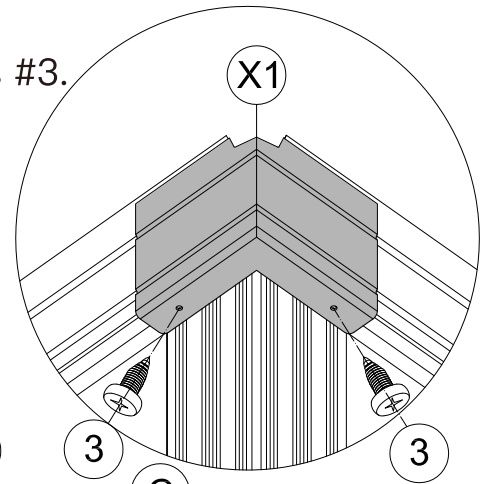
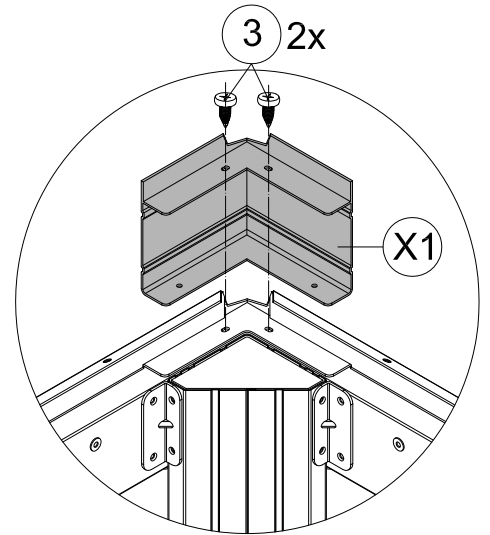
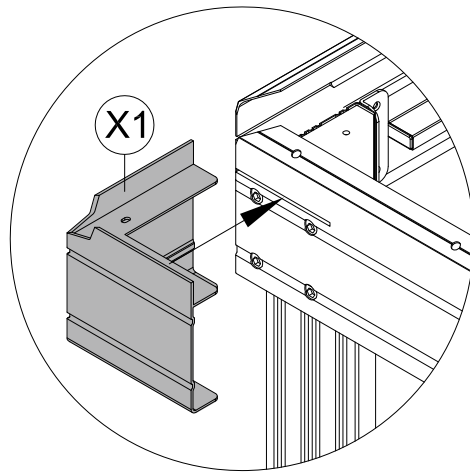


X1 4x

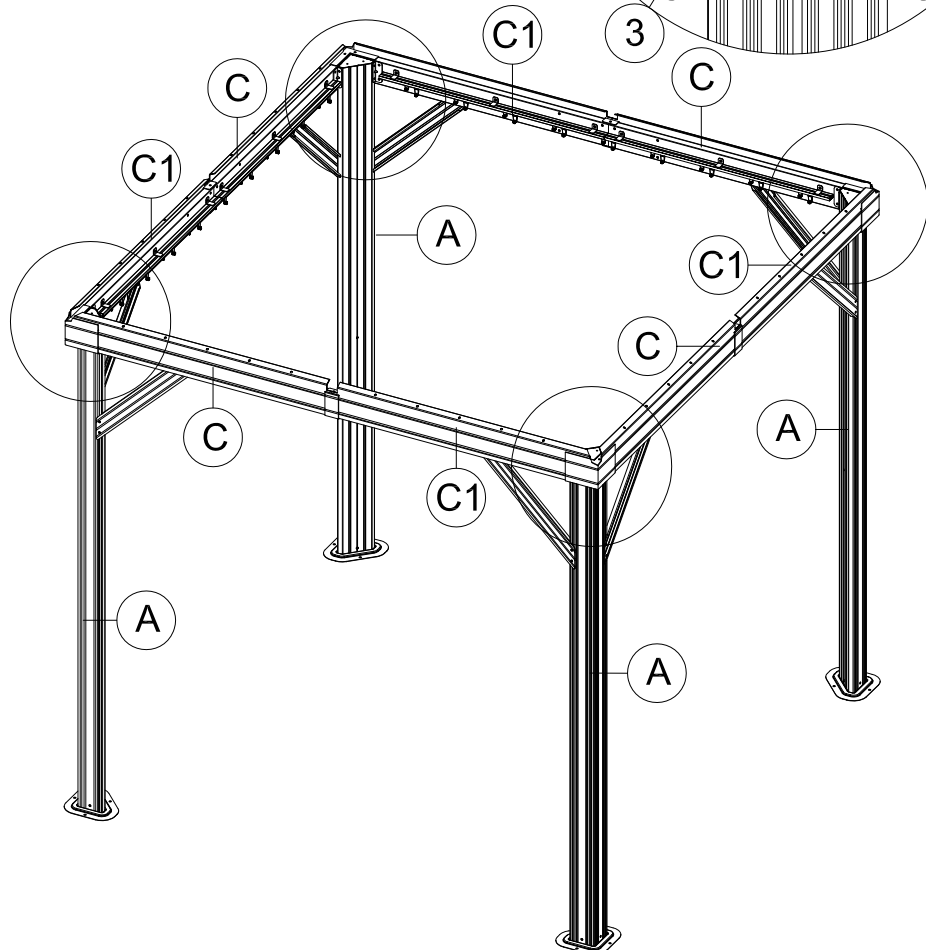


ST5x16

3 16x

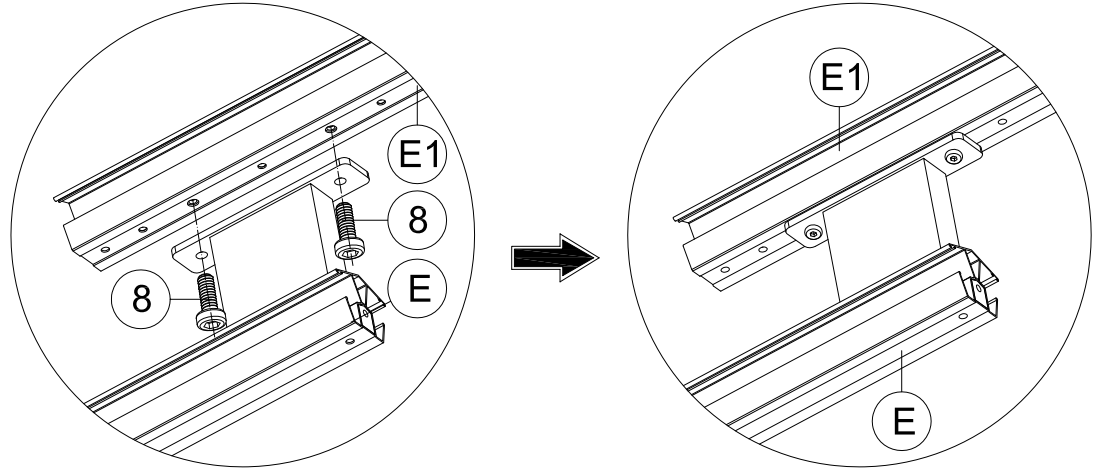
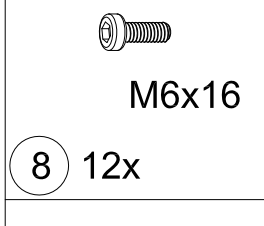
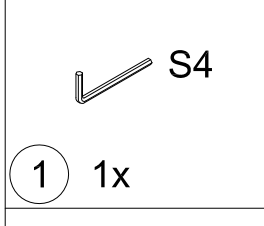
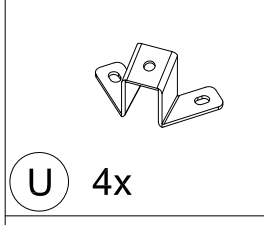
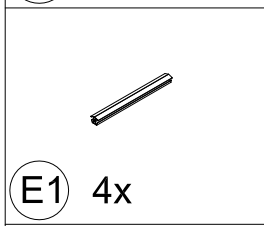
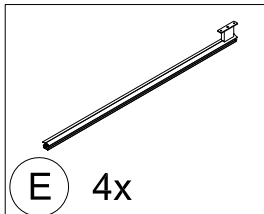


- (1) Cover the corner with Part #X1.
- (2) Secure with 2 Self-tapping Screws #3.
(from top to bottom)
- (3) Secure with 2 Self-tapping Screws #3.
(from bottom to top)

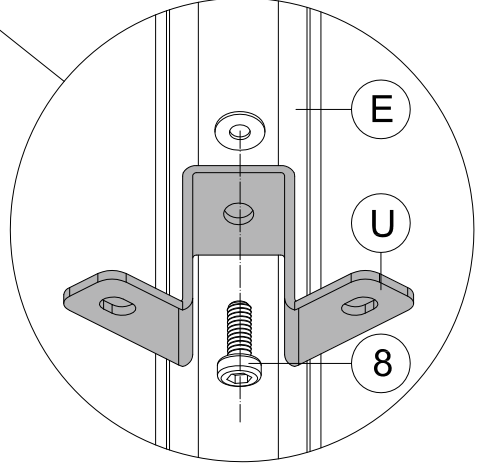
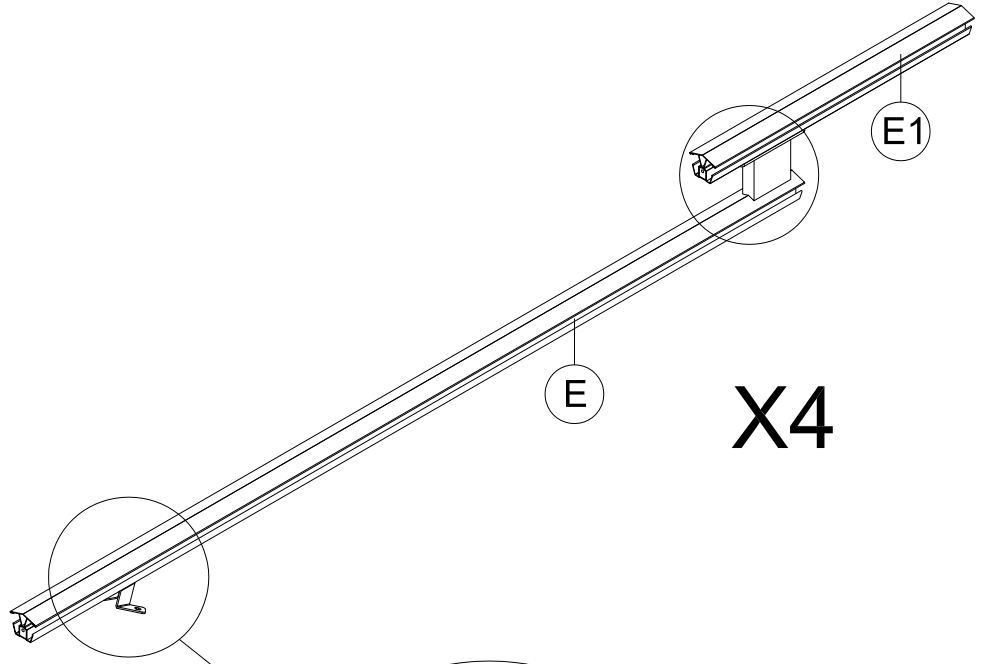


(4) Repeat the above procedures for the other 3 corners.

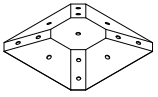
Assemble the 4 Corner Roof Bars:



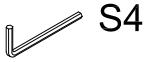
(1) Connect Part #E1 and Part #E with 2 Bolts #8 .



(2) Attach Part #U to Part #E with Bolt #8 .
 (3) Repeat the above procedures for the other 3 corner roof bars.



S 1x



1 1x



M6x16

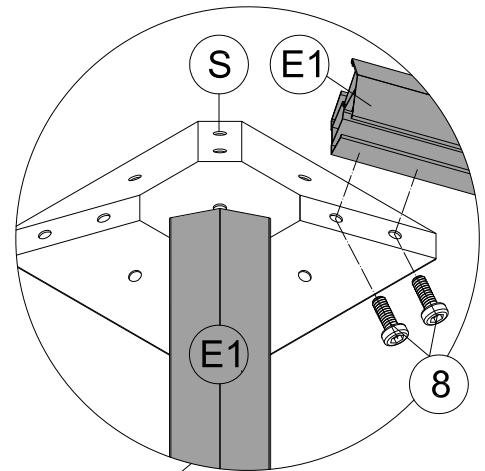
8 16x

Please have a freestanding ladder ready at the center of the gazebo.

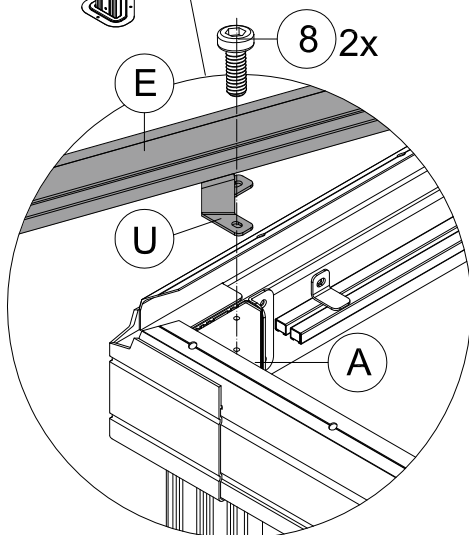
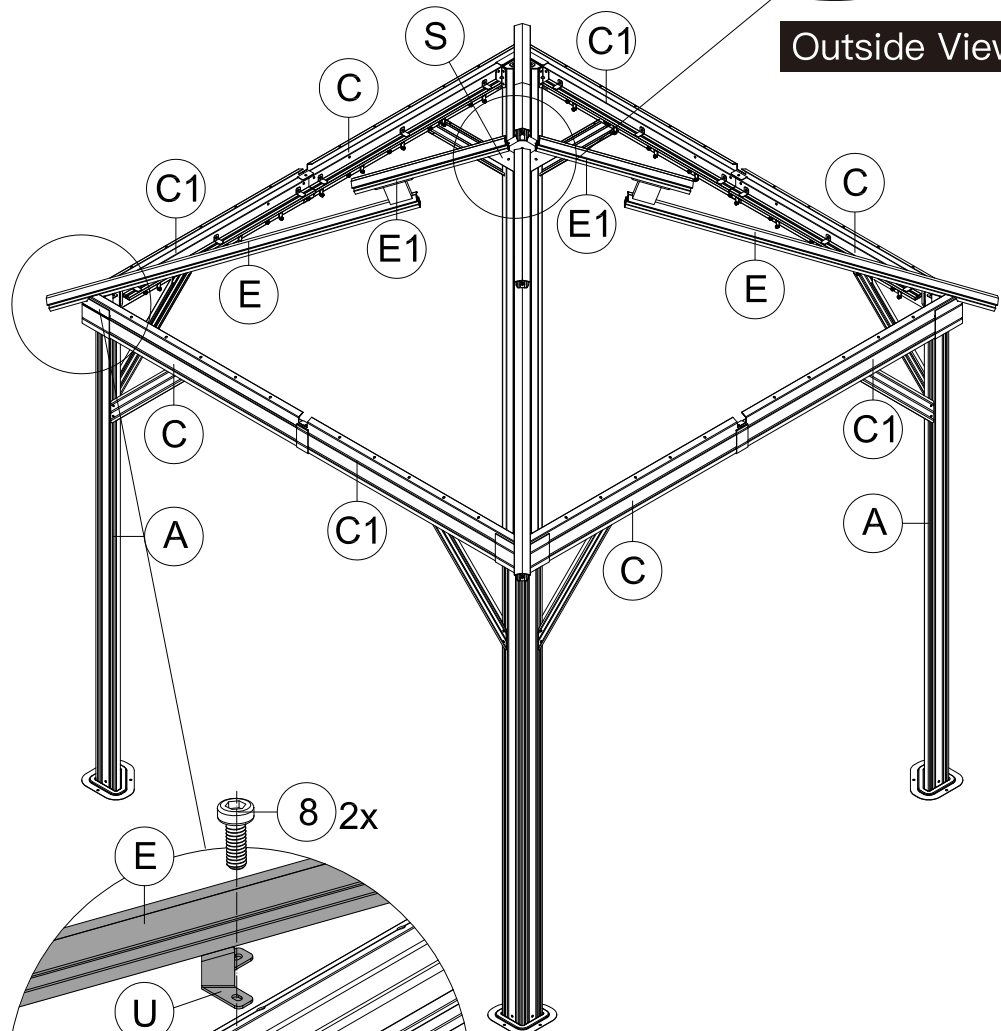
(1) Place 4 Part #E1 on the 4 corners of Part #S.

Secure with 8 Bolts #8 (from bottom to top)

ATTENTION: You can also finish this step on the ground and then lift 4 corner roof bars and inside roof connector to the top together. (Need 2 people and 2 ladders)

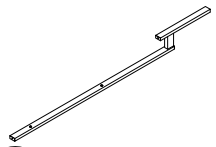
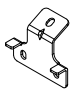


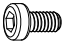



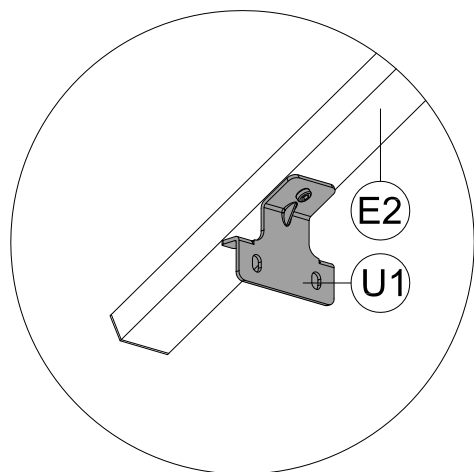
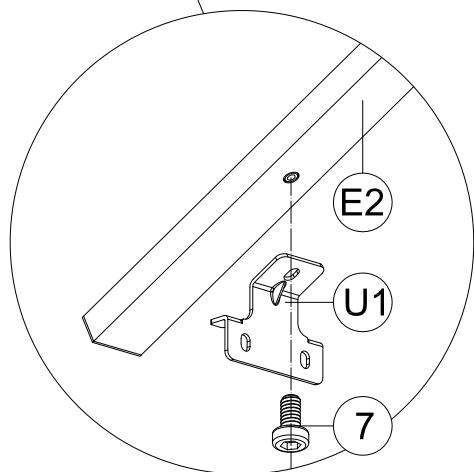
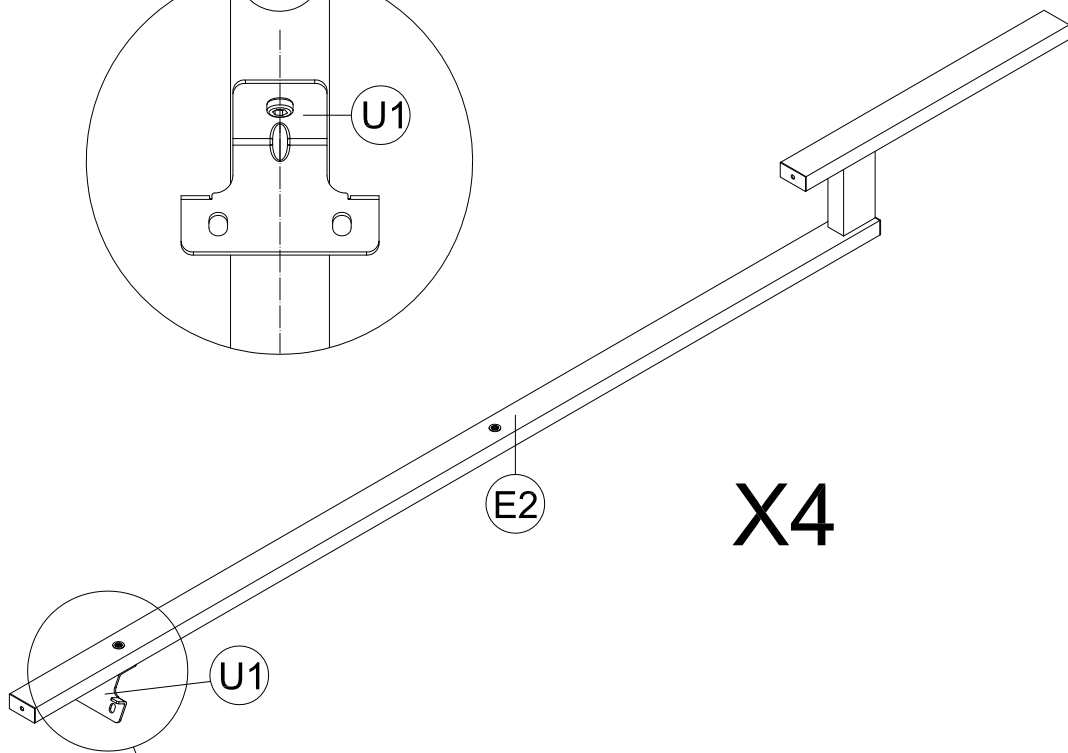
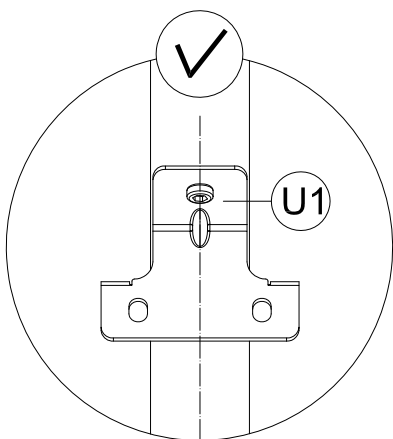
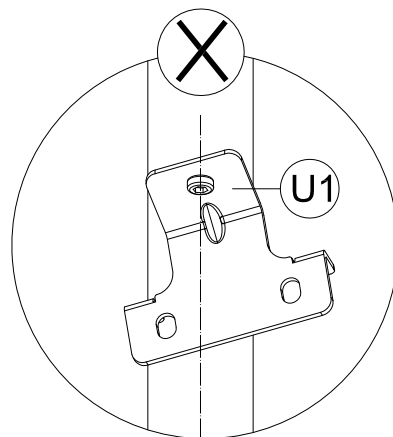
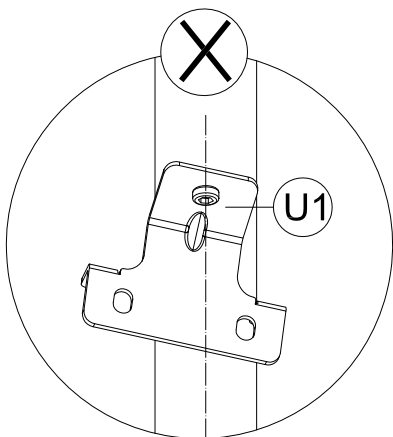
Outside View



(2) Place 4 Part #E on 4 Part #A;
Secure with 8 Bolts #8.

Outside View

-  E2 4x
-  U1 4x
-  S4
-  1 1x
-  M6x10
-  7 4x



(1) Attach Part #U1 to Part #E2 with Bolt #7.
 (2) Repeat the above procedures for the other 3 roof bars.



S4

1 1x



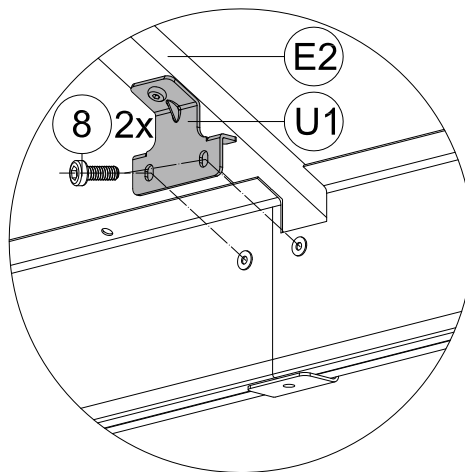
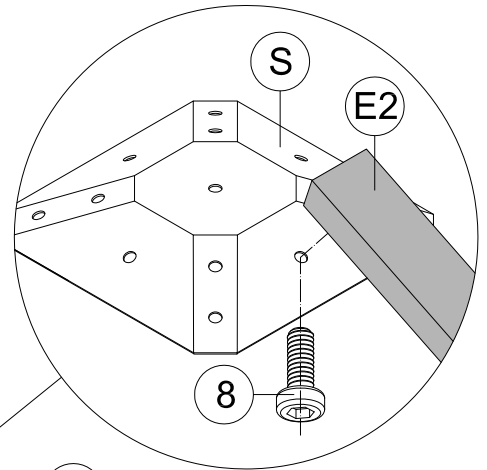
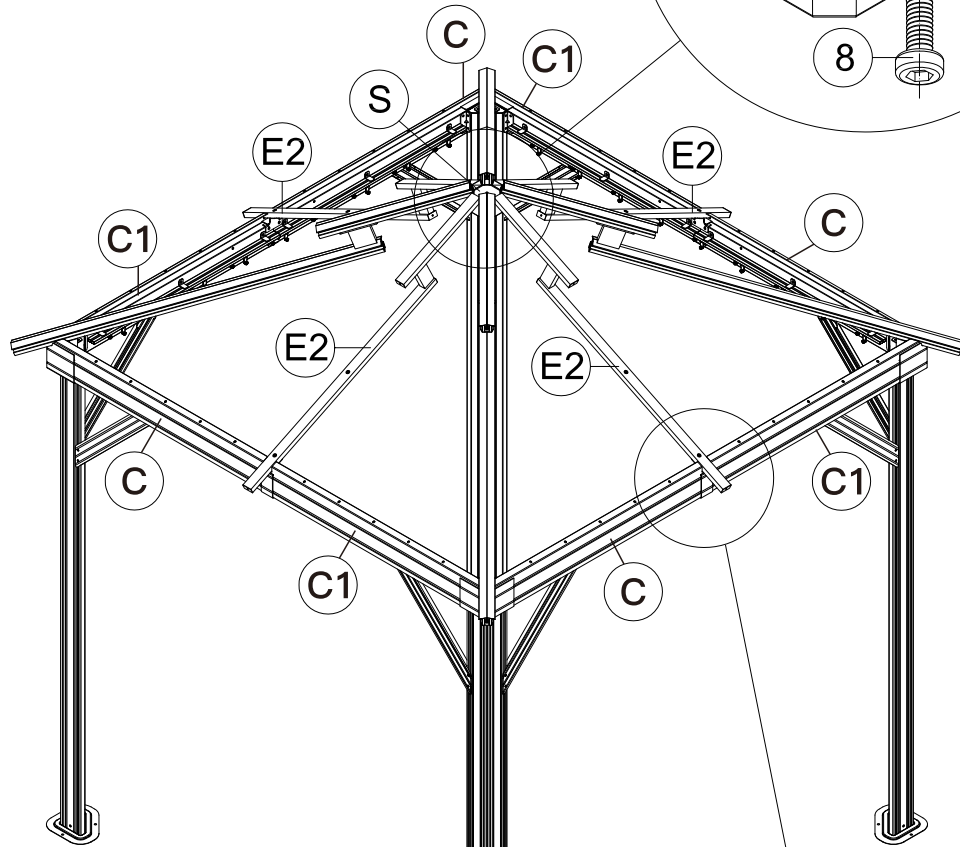
M6x16

8 12x

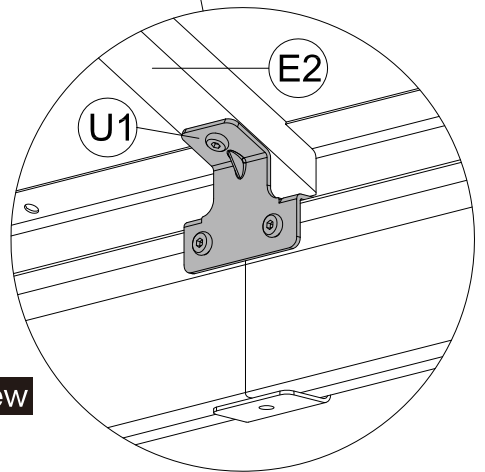
(1) Place Part #E2 on part #S.

Secure with Bolt #8 (from bottom to top).

Outside View



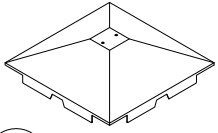
Inside View



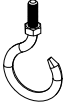
16

(2) Connect Part #E2 and the Assembled Beam(C&C1) with part #U1.
Secure with 2 Bolts #8.

(3) Repeat the above procedures for the other 3 sides.

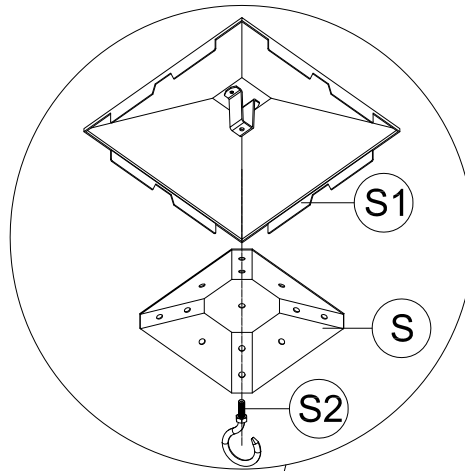


S1 1x

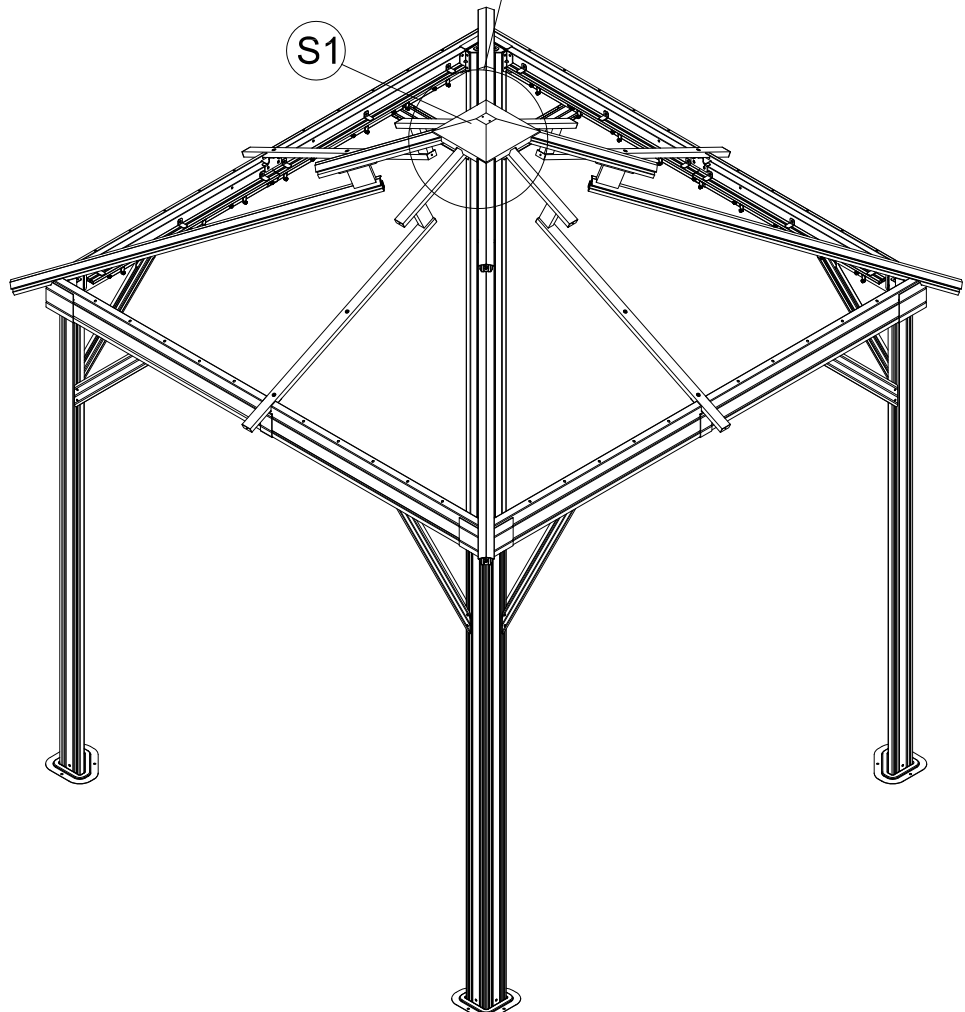


S2 1x

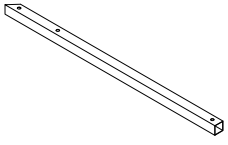
Secure Part #S2 to Part #S and Part #S1.



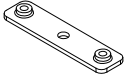
Outside View



ATTENTION: The holes of Part #S and Part #S1 need to be aligned, on the same vertical line.



F 8x



U3 4x



1 1x



M6x10

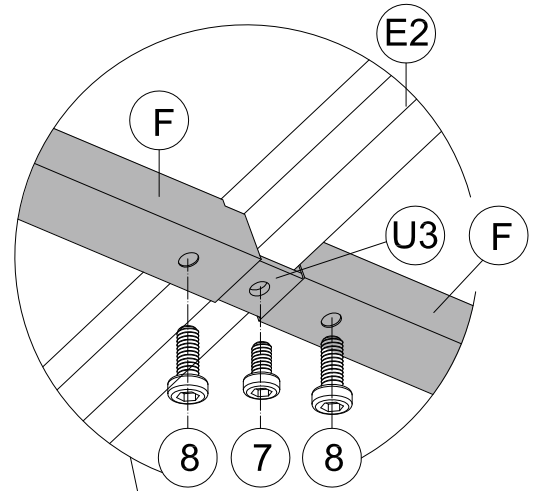
7 4x



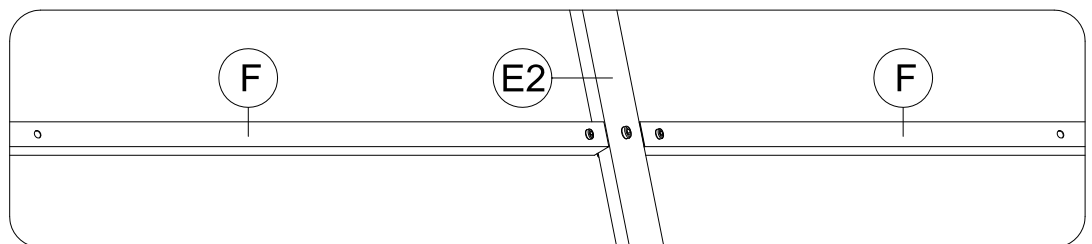
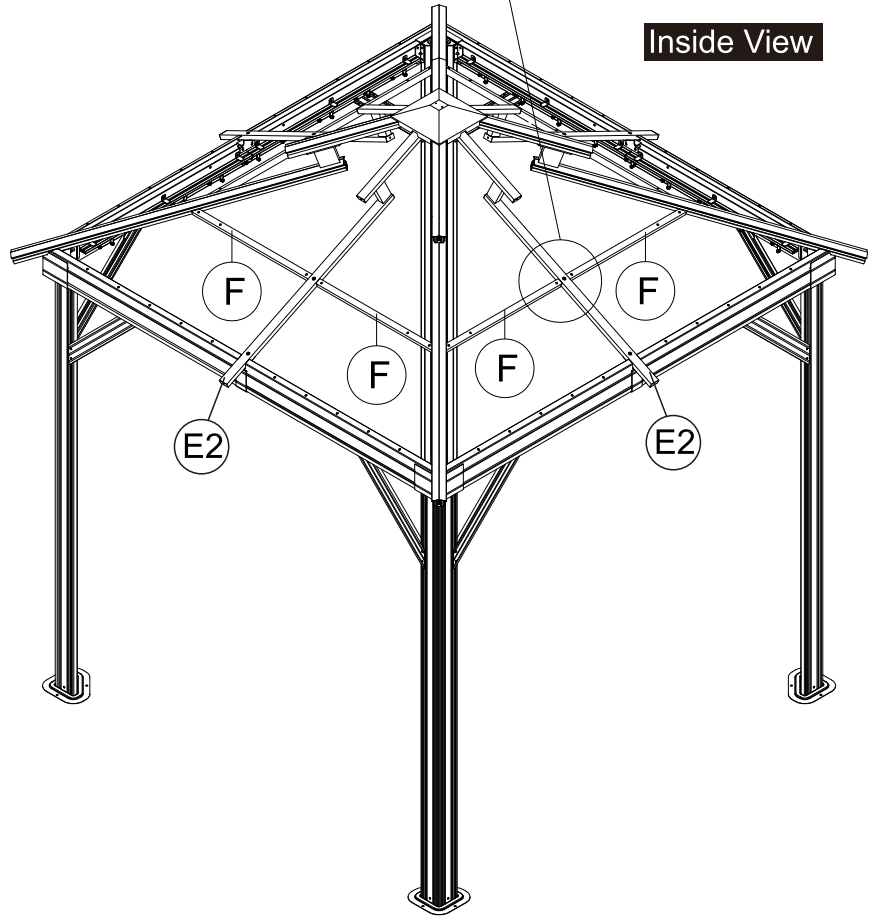
M6x16

8 8x

(1) Insert Part #U3 into 2 Part #F.
(2) Attach Part #F to the Part #E2 with 1 Bolt #7 and 2 Bolts #8.



Inside View

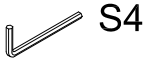


(3) Repeat the above procedures for the other 3 sides.

Outside View



U2 4x

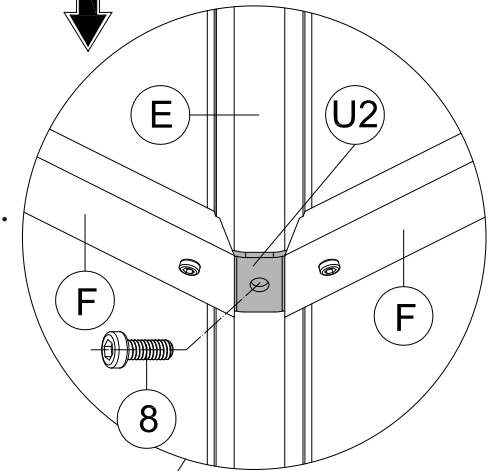
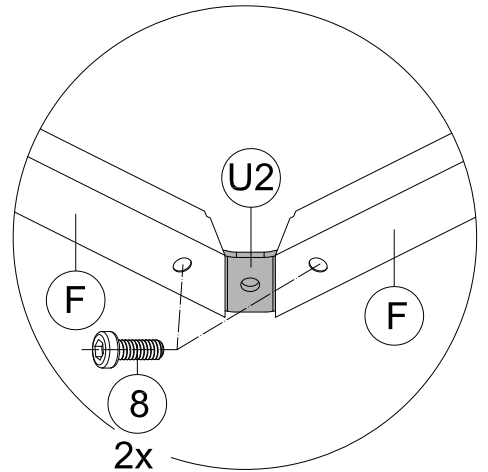
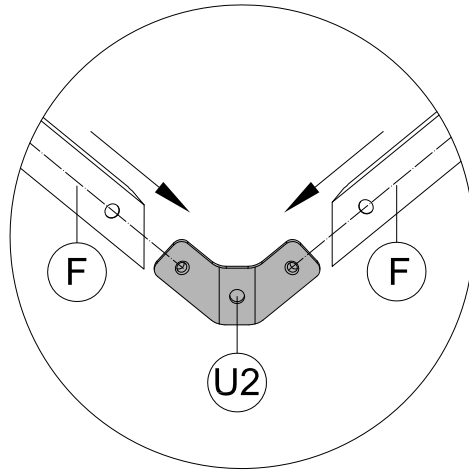


1 1x

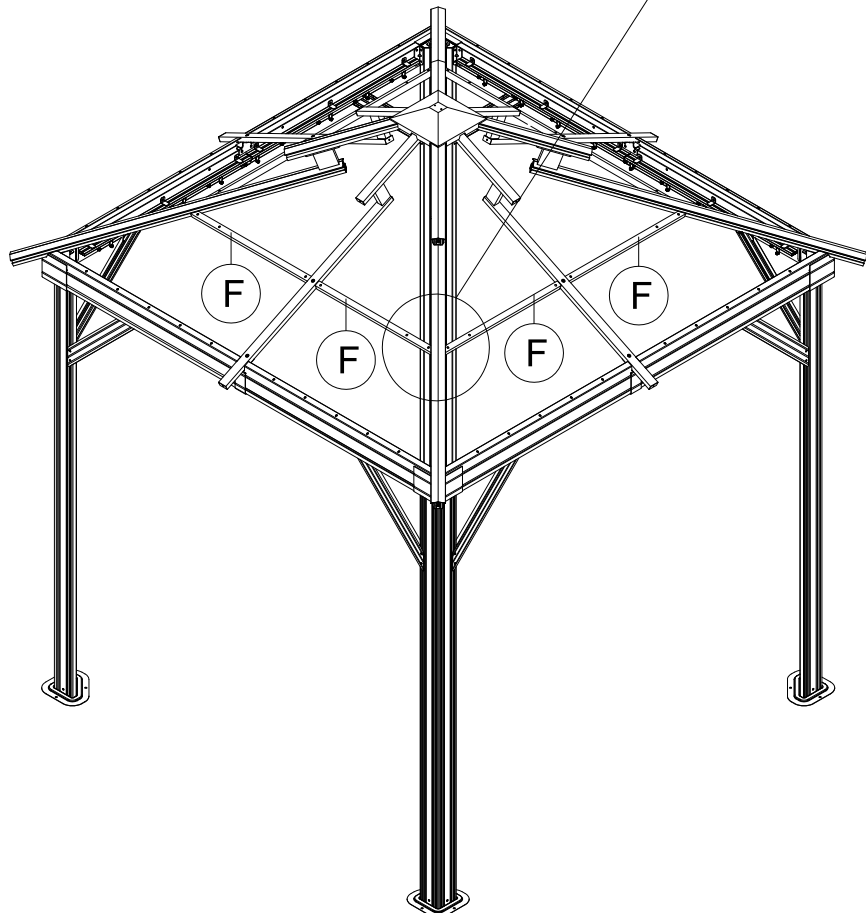


M6x16

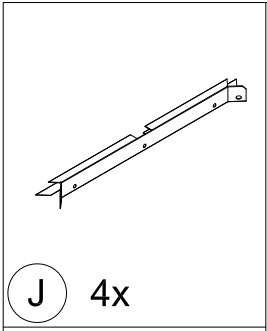
8 12x



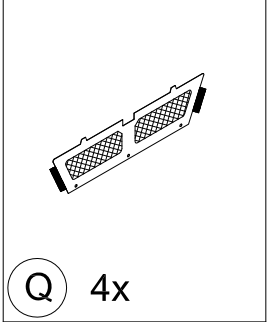
- (1) Insert Part #U2 into 2 Part #F.
- (2) Secure with 2 Bolts #8.
- (3) Secure them to Part #E with Bolt #8.



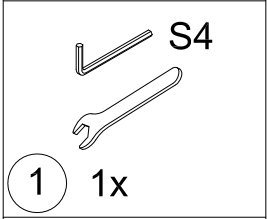
- (4) Repeat the above procedures for the other 3 sides.



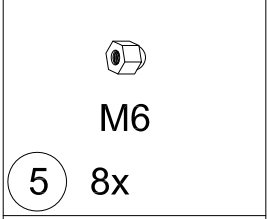
J 4x



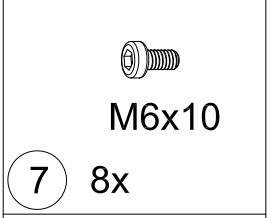
Q 4x



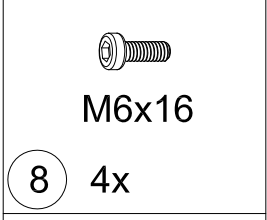
1 1x



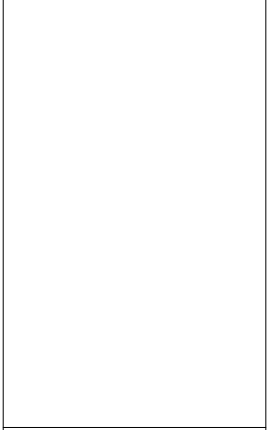
5 8x



7 8x

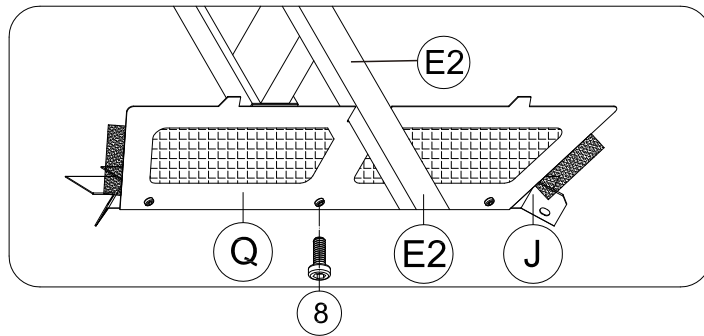
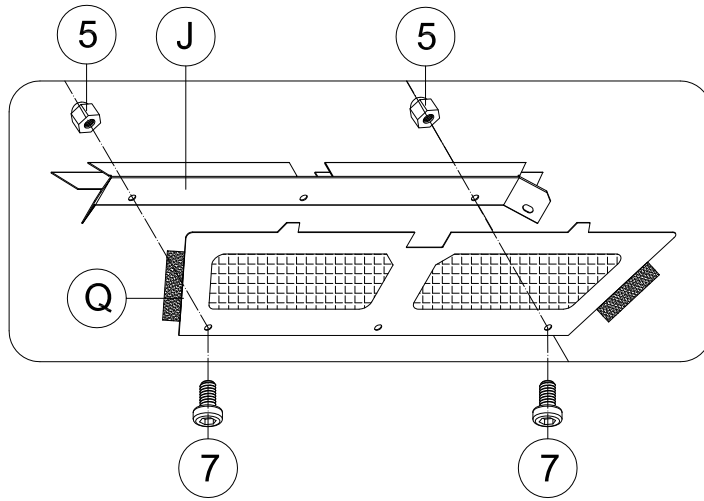


8 4x

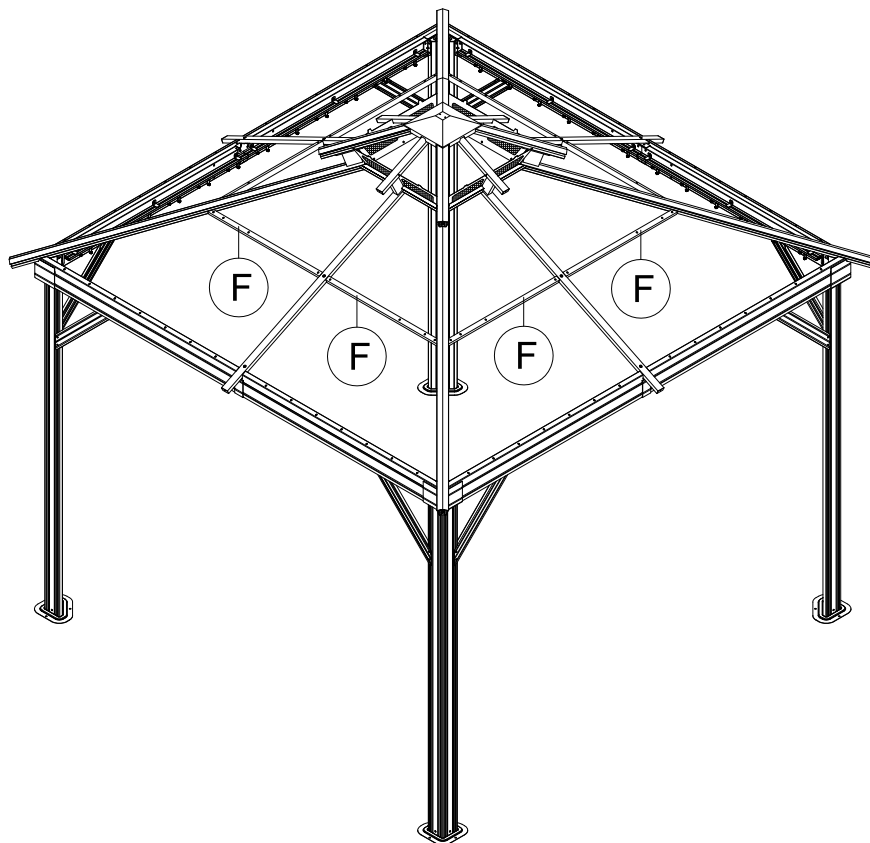


20

(1) Connect Part #J and Part #Q with 2 Bolts #7 and 2 Nuts #5.



(2) Place the Assembled Part #J & #Q on Part #E2, securing with 1 Bolt #8.



(3) Repeat the above procedures for the other 3 sides.



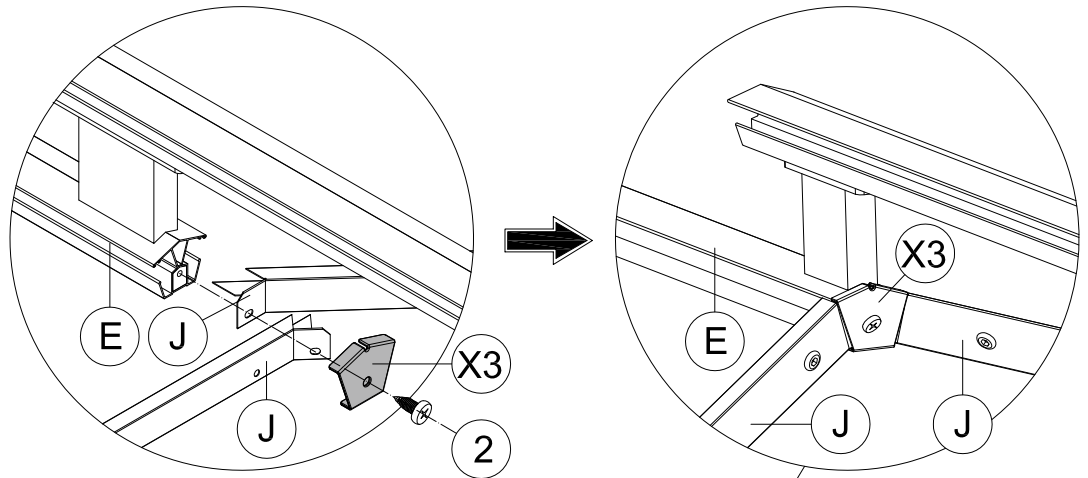
X3 4x



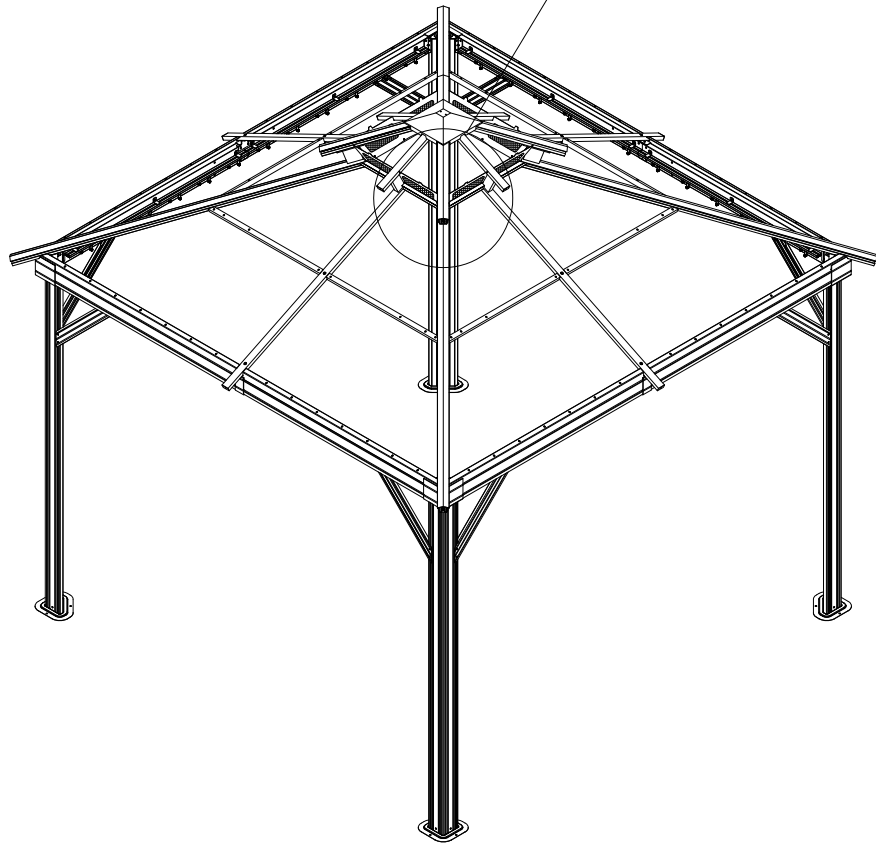
ST6.3x15

2 4x

(1) Place 2 Part #J on Part #E, put on Part #X3 and secure with Self-tapping Screw #2.

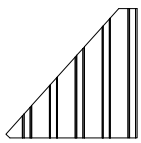


Inside View

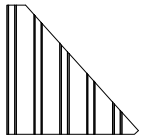


(2) Repeat the above procedures for the other 3 corners.

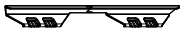
Cover Part #Z, #Z1 & #Z2 to Roof Panels.



L1 4x



L2 4x



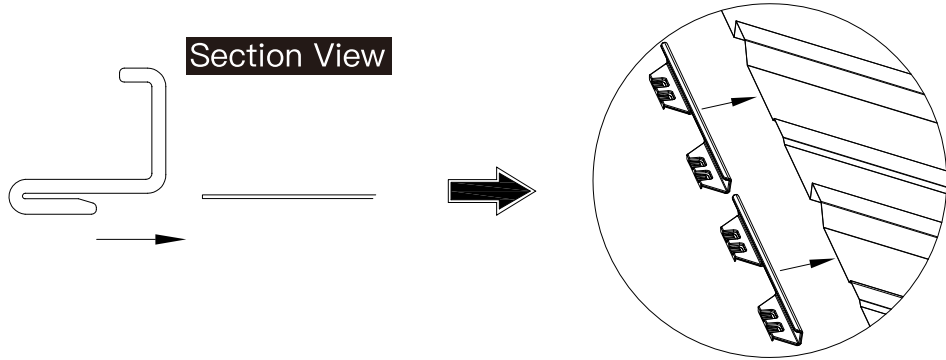
Z 8x



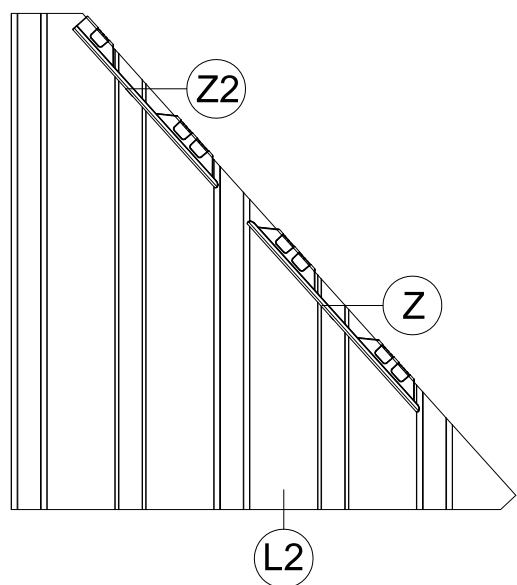
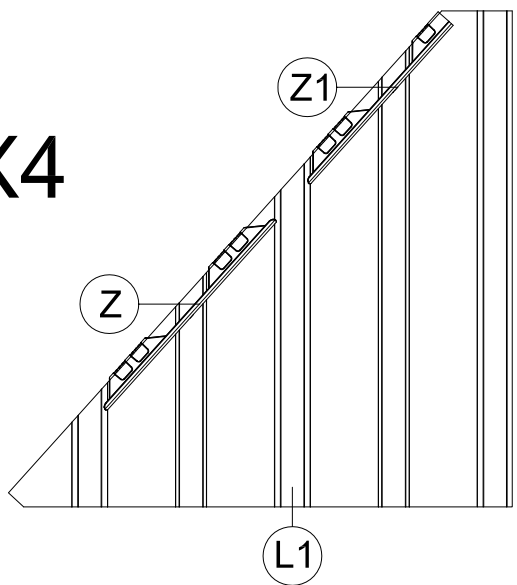
Z1 4x

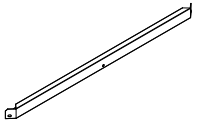


Z2 4x

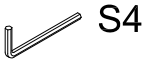


X4





H 4x



1 1x

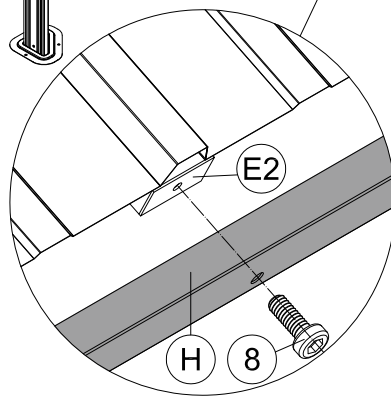
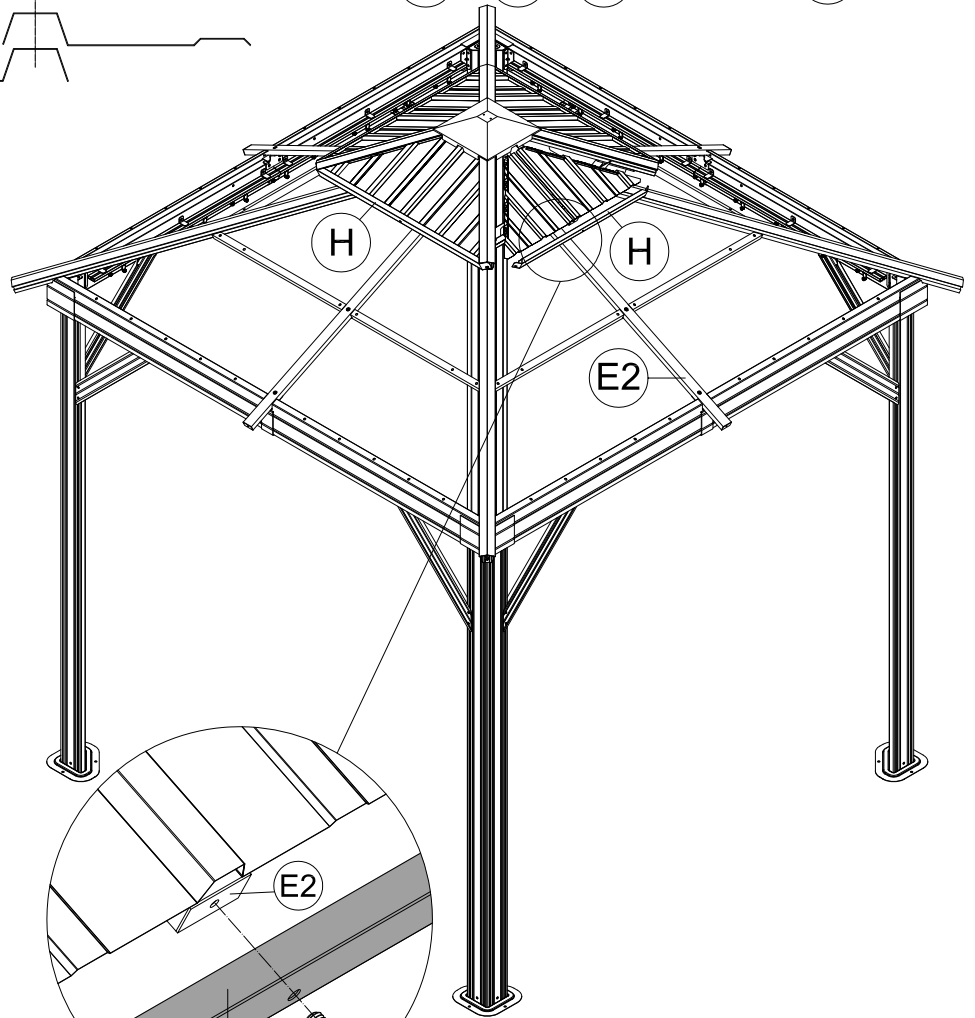
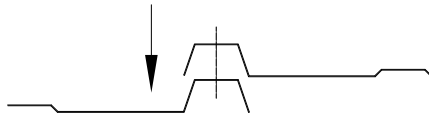
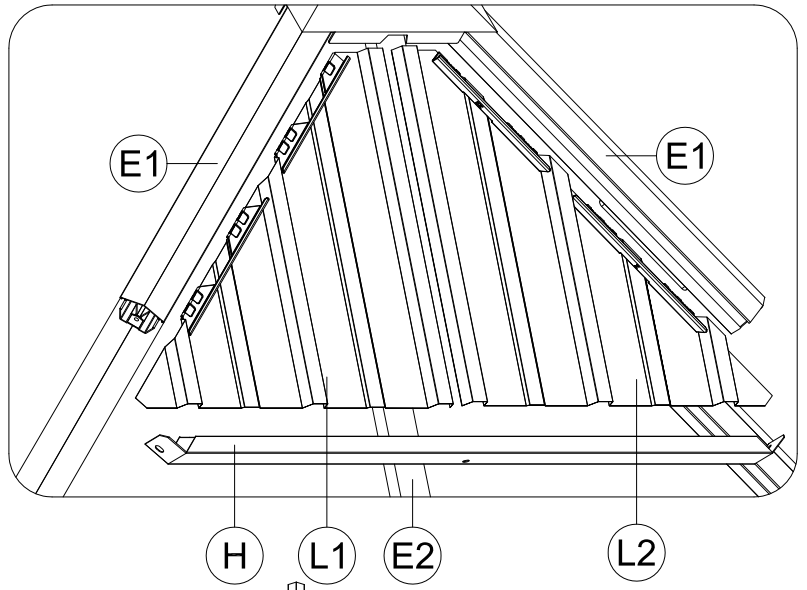
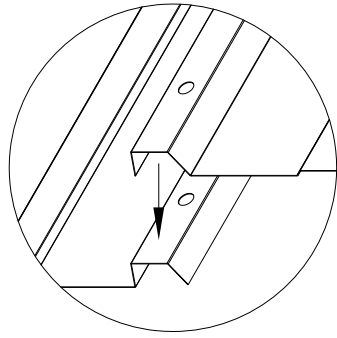


M6x16

8 4x

ATTENTION: The bigger roof panel need to cover the smaller one.

(1) Insert Part #L1 and Part #L2 into the frame.



(2) Attach Part #H to Part #E2, securing with Bolt #8.

(3) Repeat the above procedures for the other 3 sides.



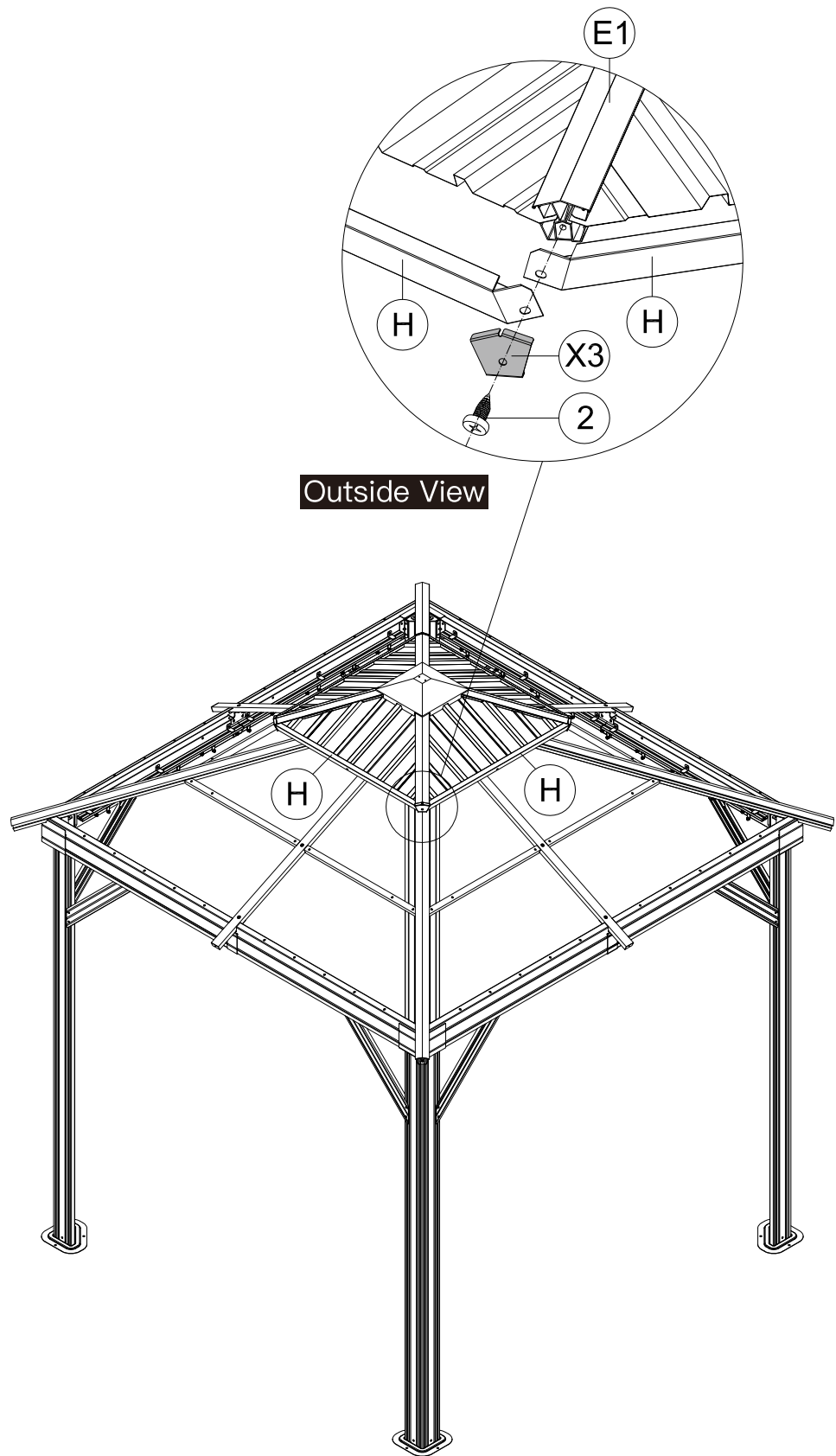
X3 4x



ST6.3x15

2 4x

(1) Place 2 Part #H on Part #E1, put on Part #X3 and secure with Self-tapping Screw #2.



(2) Repeat the above procedures for the other 3 corners.

Cover Part #Z, #Z3 & #Z4 to Roof Panels.

M1 4x

M2 4x

M3 4x

M4 4x

M5 4x

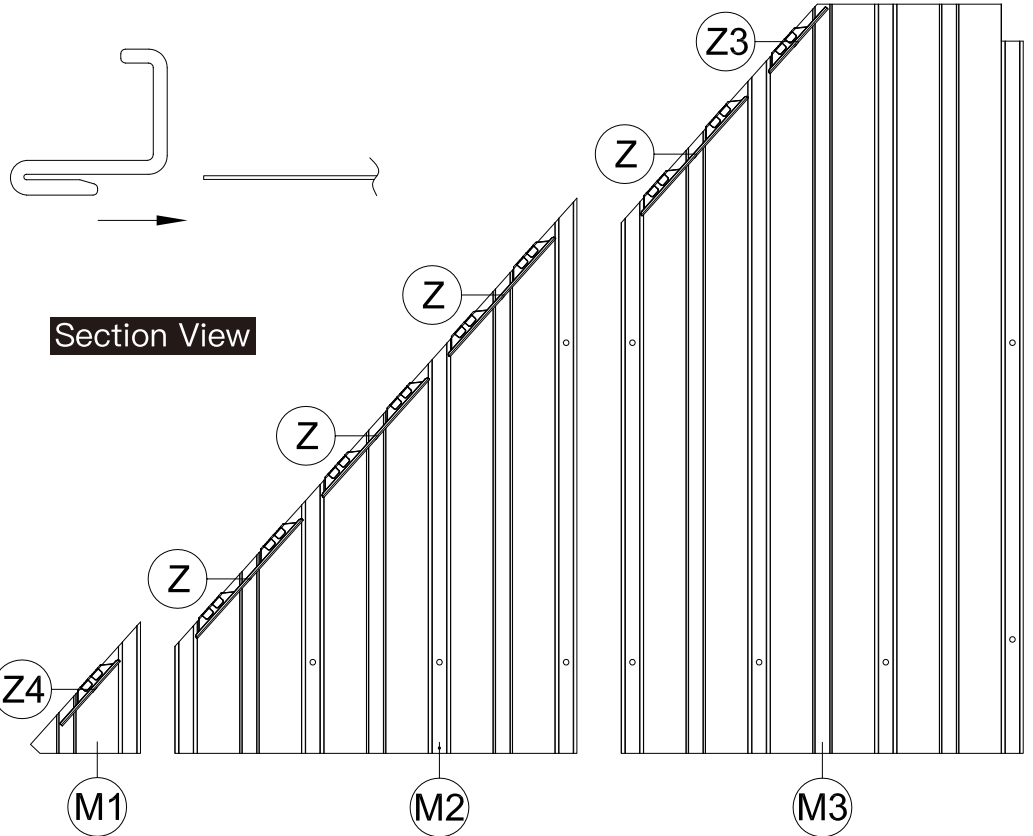
M6 4x

Z 32x

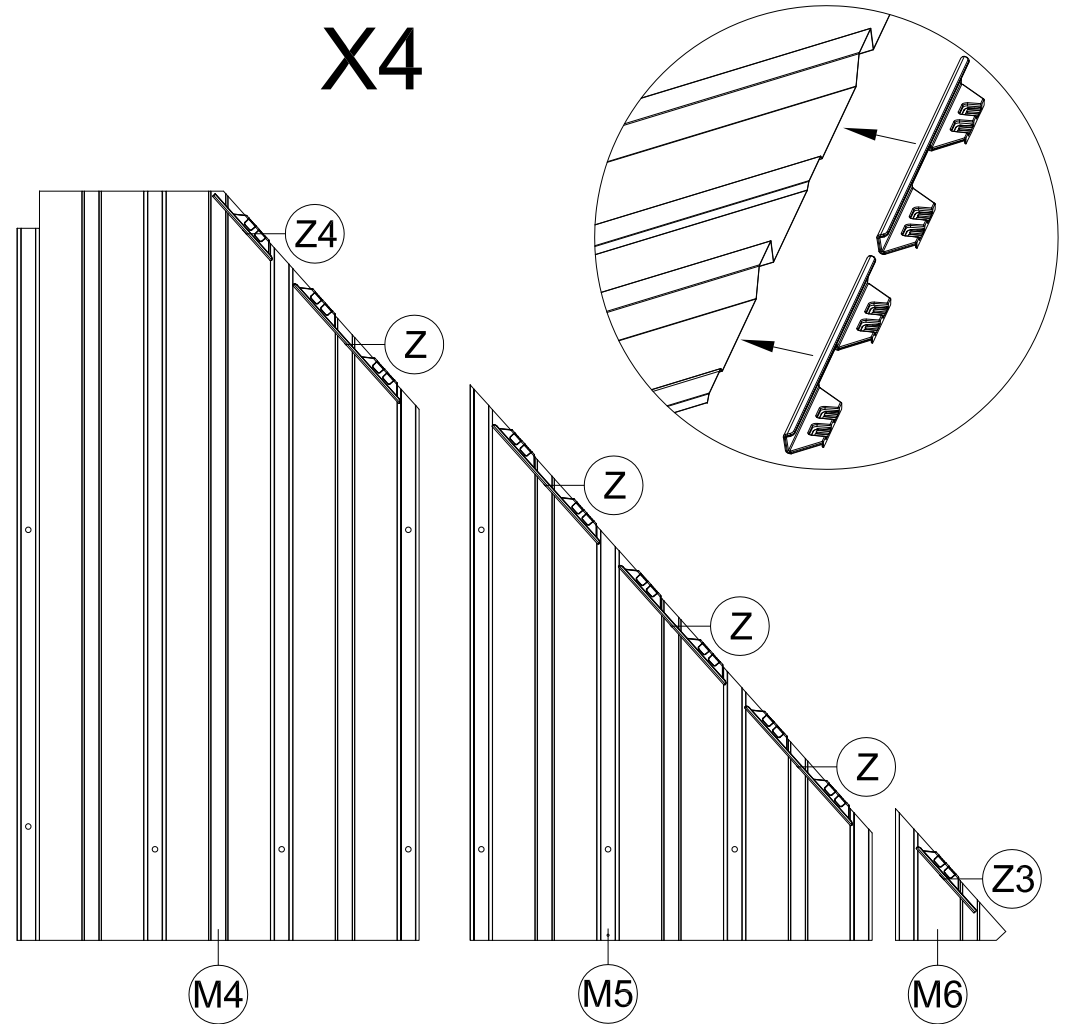
Z3 8x

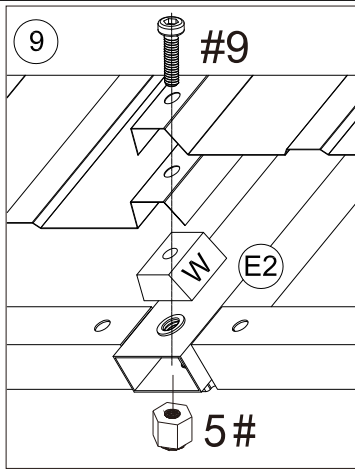
Z4 8x

25

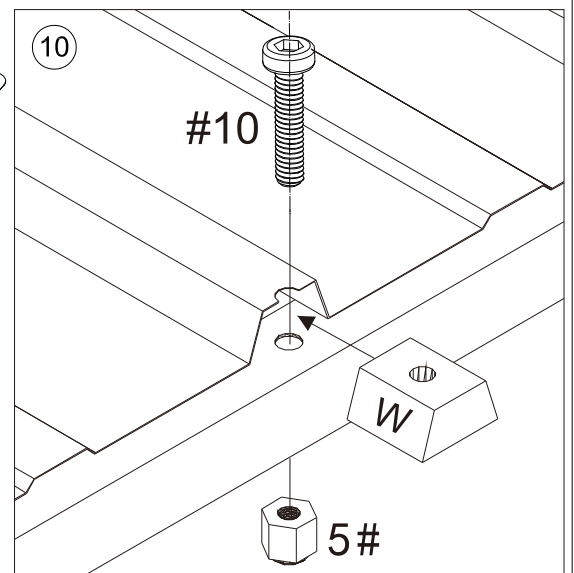
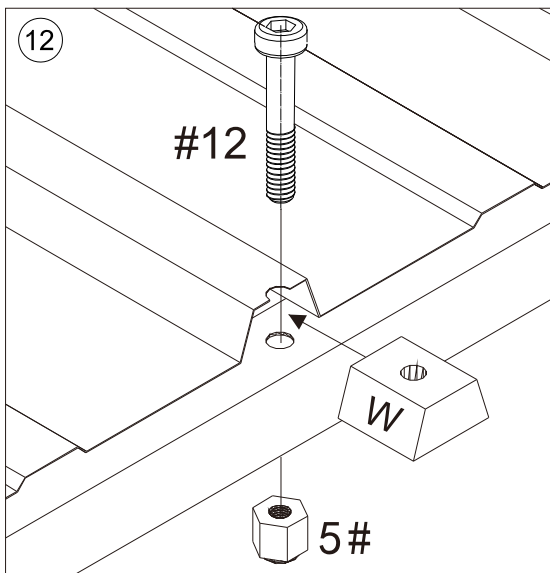
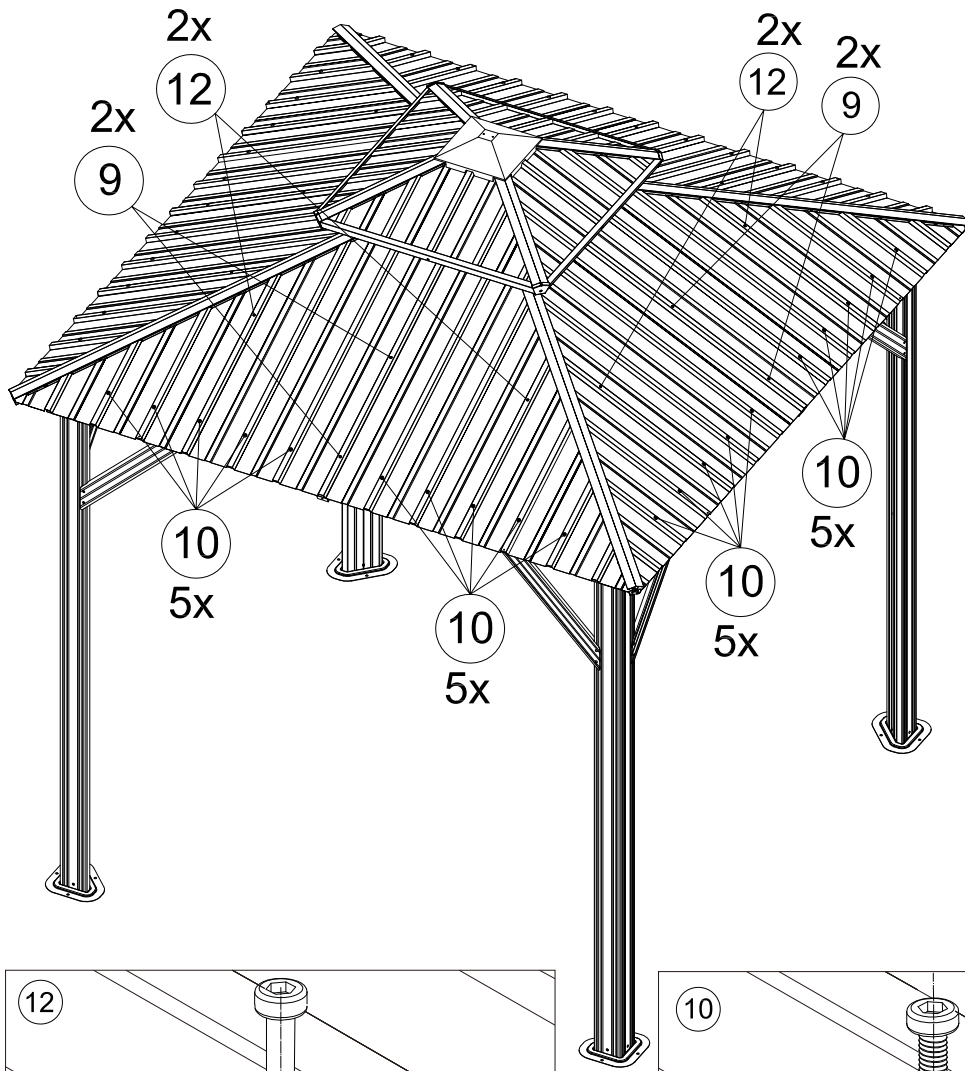


X4

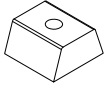




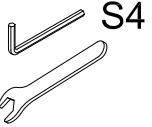
⚠ Part #W should be inserted between roof panels and solidifying bar or beams, then secure with bolts and nuts.



ATTENTION: The bigger roof panel need to cover the smaller one.



W 8x



1 1x



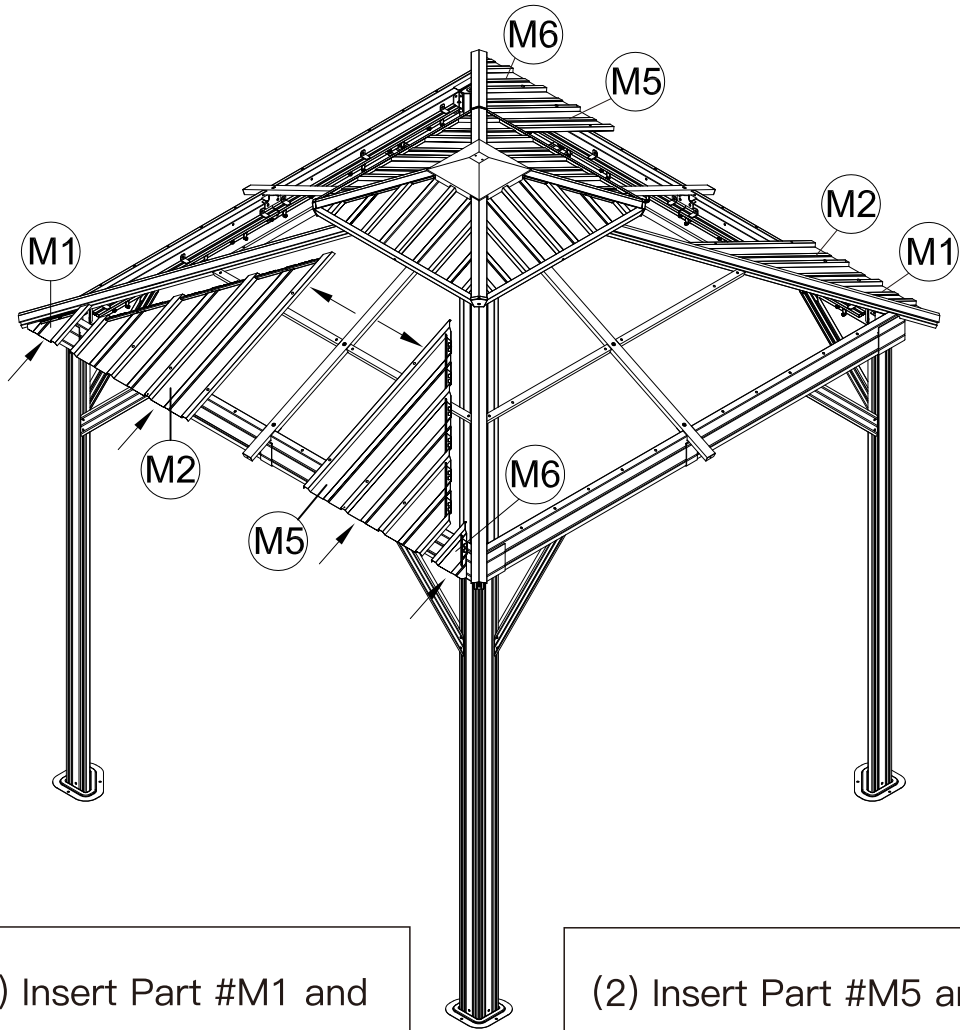
M6

5 8x

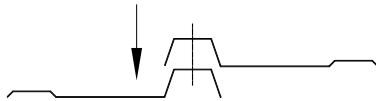


M6x28

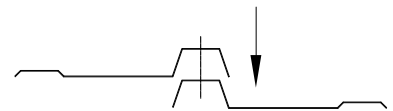
10 8x



(1) Insert Part #M1 and Part #M2 into the frame.

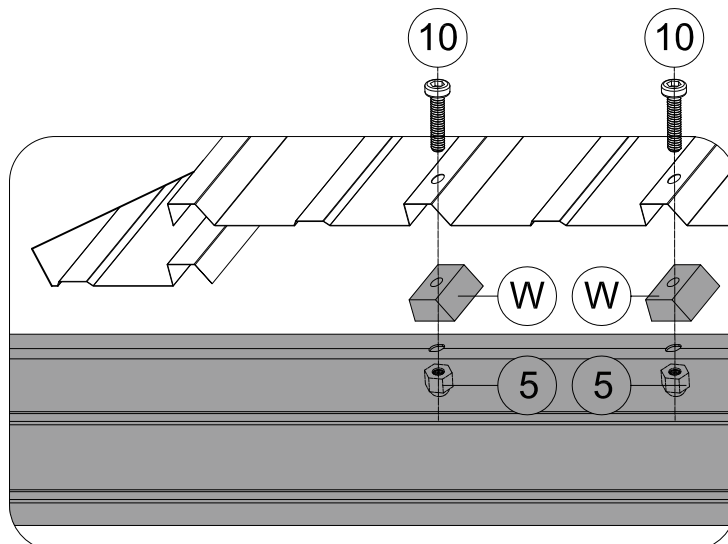


(2) Insert Part #M5 and Part #M6 into the frame.



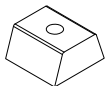
(3) Place 4 Part #W between roof panels and beams. Then secure with 4 Bolts #10 and 4 Nuts #5.

(4) Repeat the above procedures to assemble the opposite side.

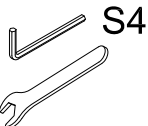


Beam

ATTENTION: The bigger roof panel need to cover the smaller one.



(W) 20x

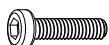


(1) 1x



M6

(5) 16x



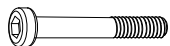
M6x25

(9) 4x



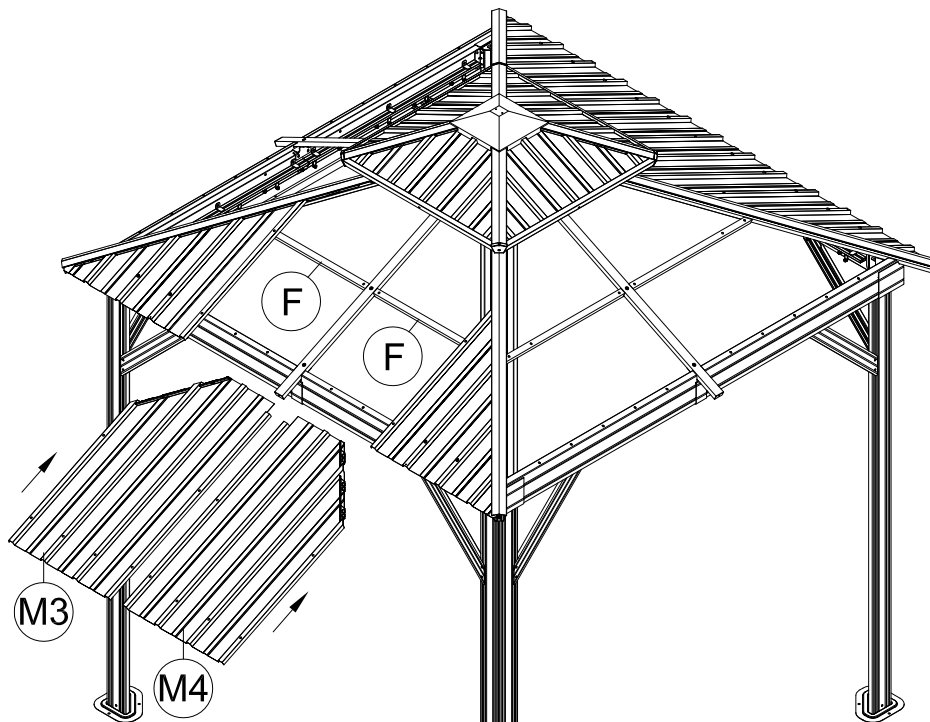
M6x28

(10) 12x

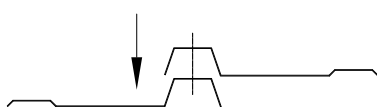


M6x50

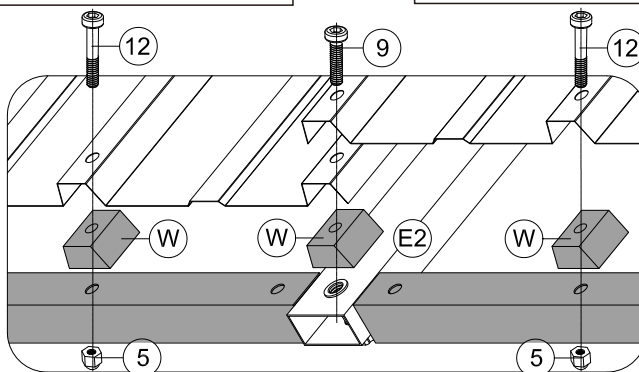
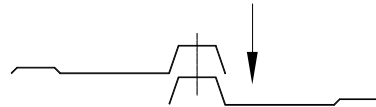
(12) 4x



(1) Insert Part #M3 into the frame.

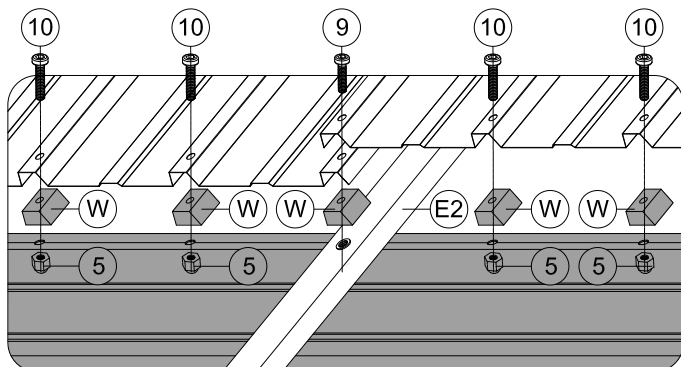


(2) Insert Part #M4 into the frame.



Solidifying Bar

(3) Place 3 Part #W between roof panels and solidifying bars. Then secure with 2 Bolts #12, 2 Nuts #5 and 1 Bolts #9.

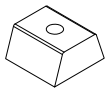


(4) Place 7 Part #W between roof panels and beams. Then secure with 6 Bolts #10, 6 Nuts #5 and 1 Bolts #9.

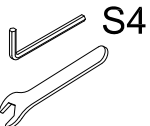
Beam

(5) Repeat the above procedures to assemble the opposite side.

ATTENTION: The bigger roof panel need to cover the smaller one.



(W) 8x



(1) 1x



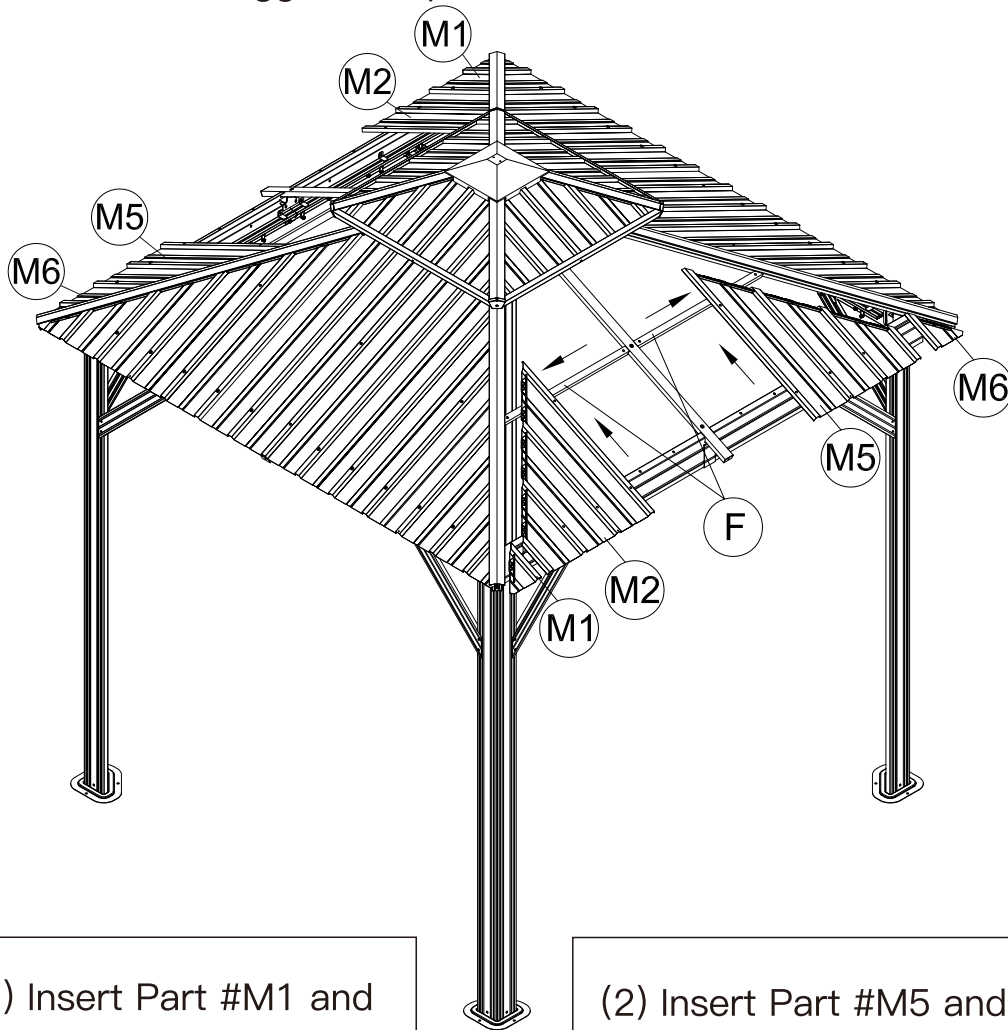
M6

(5) 8x

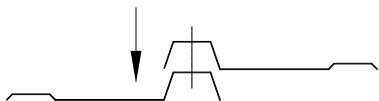


M6x28

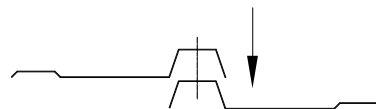
(10) 8x



(1) Insert Part #M1 and Part #M2 into the frame.

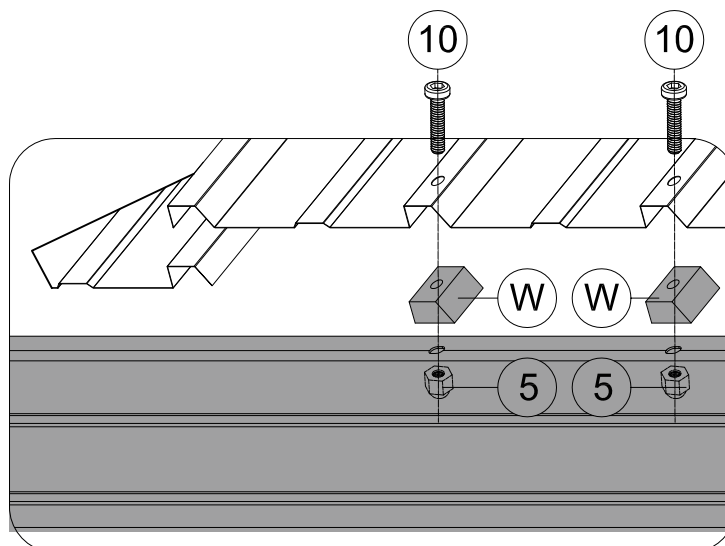


(2) Insert Part #M5 and Part #M6 into the frame.



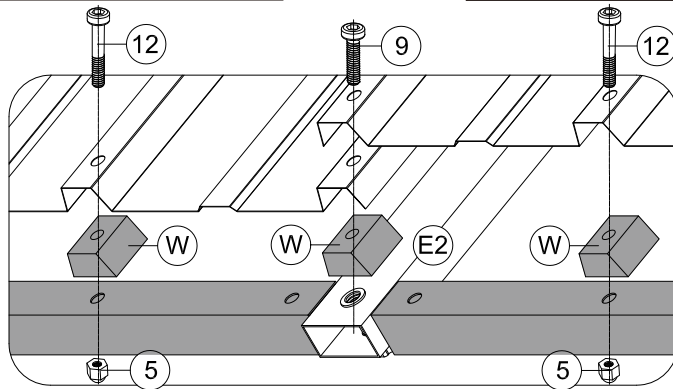
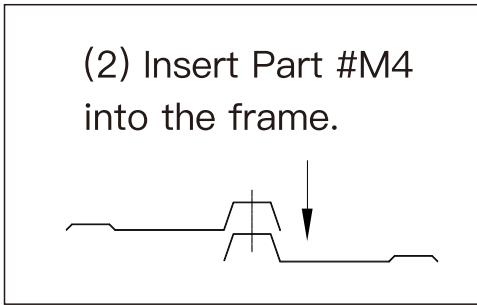
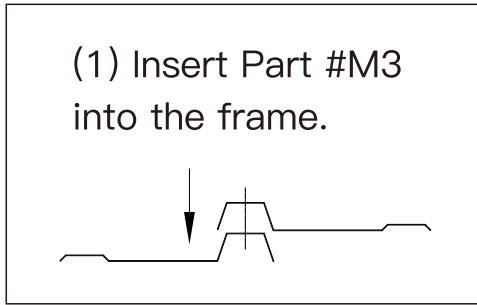
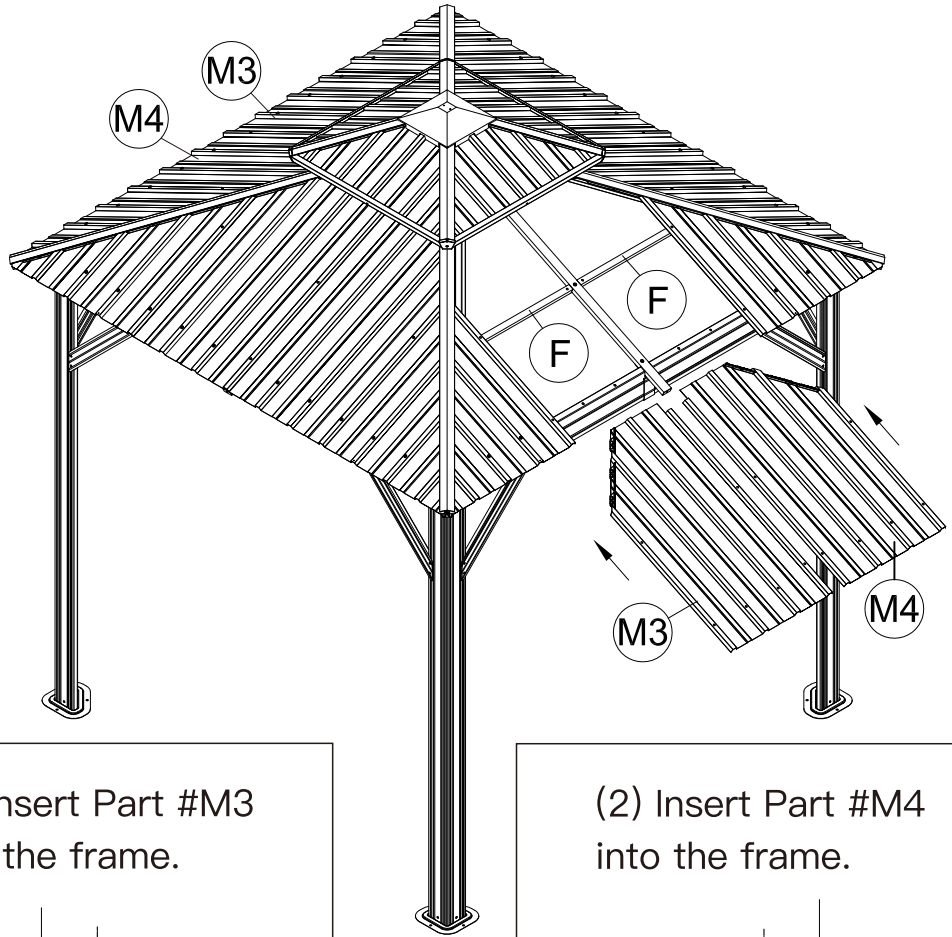
(3) Place 4 Part #W between roof panels and beams. Then secure with 4 Bolts #10 and 4 Nuts #5.

(4) Repeat the above procedures to assemble the opposite side.

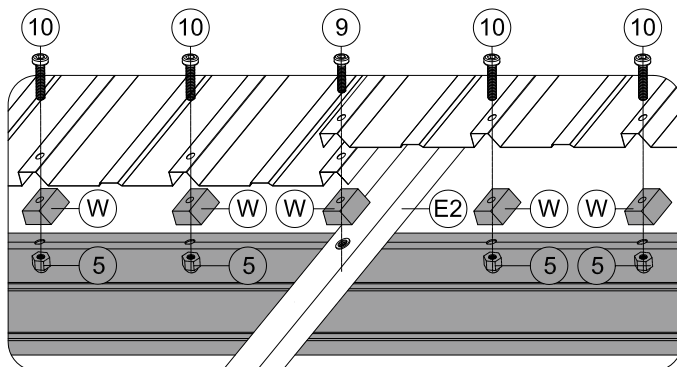


Beam

ATTENTION: The bigger roof panel need to cover the smaller one.

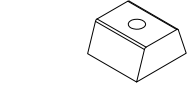


(3) Place 3 Part #W between roof panels and solidifying bars. Then secure with 2 Bolts #12, 2 Nuts #5 and 1 Bolts #9.

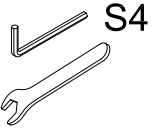


(4) Place 7 Part #W between roof panels and beams. Then secure with 6 Bolts #10, 6 Nuts #5 and 1 Bolts #9.

(5) Repeat the above procedures to assemble the opposite side.



(W) 20x



(1) 1x



M6

(5) 16x



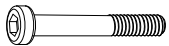
M6x25

(9) 4x



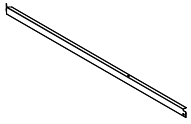
M6x28

(10) 12x

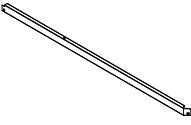


M6x50

(12) 4x



(K) 4x



(K1) 4x



(X2) 4x



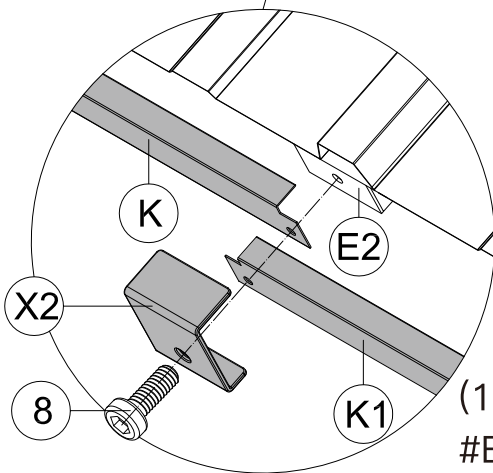
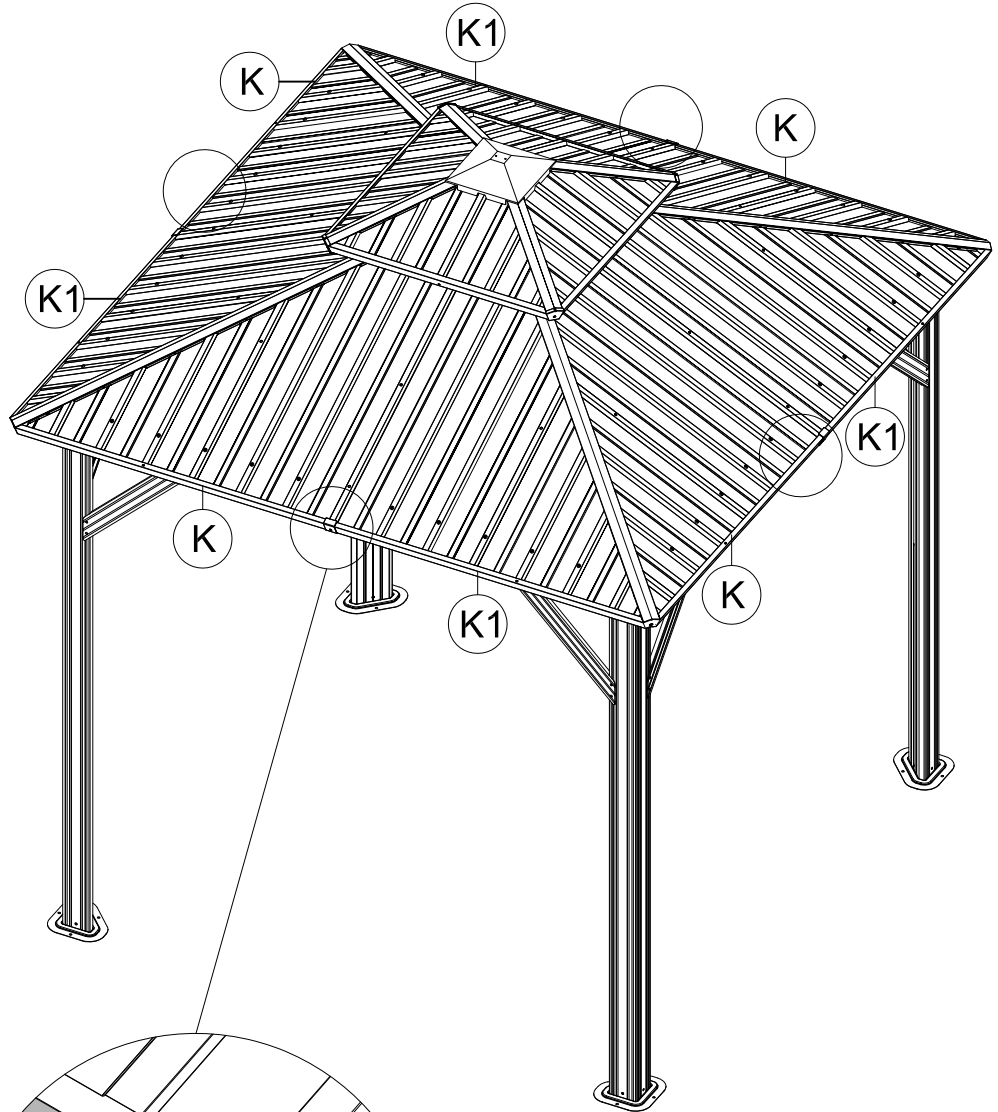
S4

(1) 1x



M6x16

(8) 4x



(1) Place Part #K and Part #K1 on Part #E2; Put on Part #X2 and secure with Bolt #8.

(2) Repeat the above procedures for the other 3 sides.

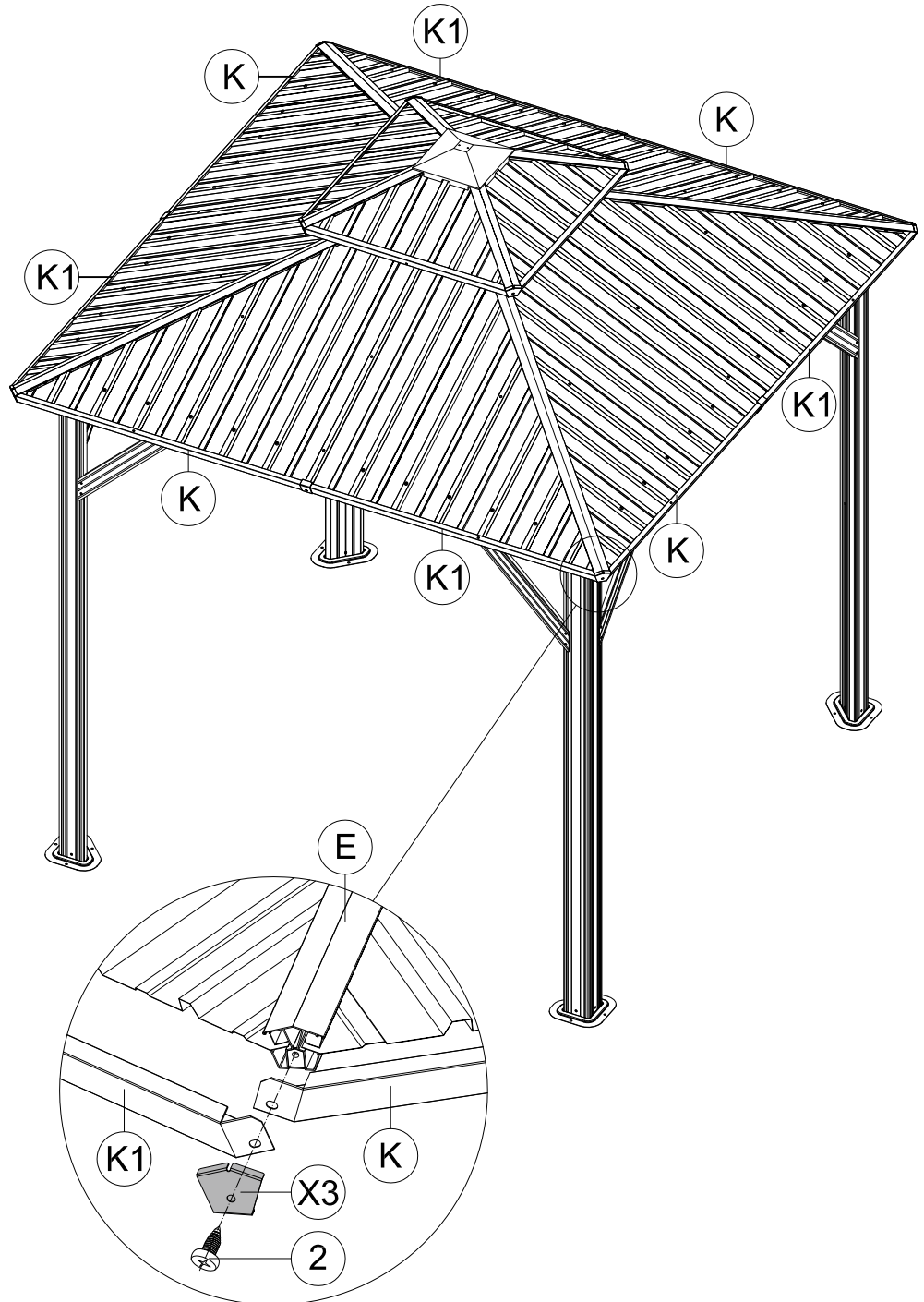


X3 4x



ST6.3x15

2 4x



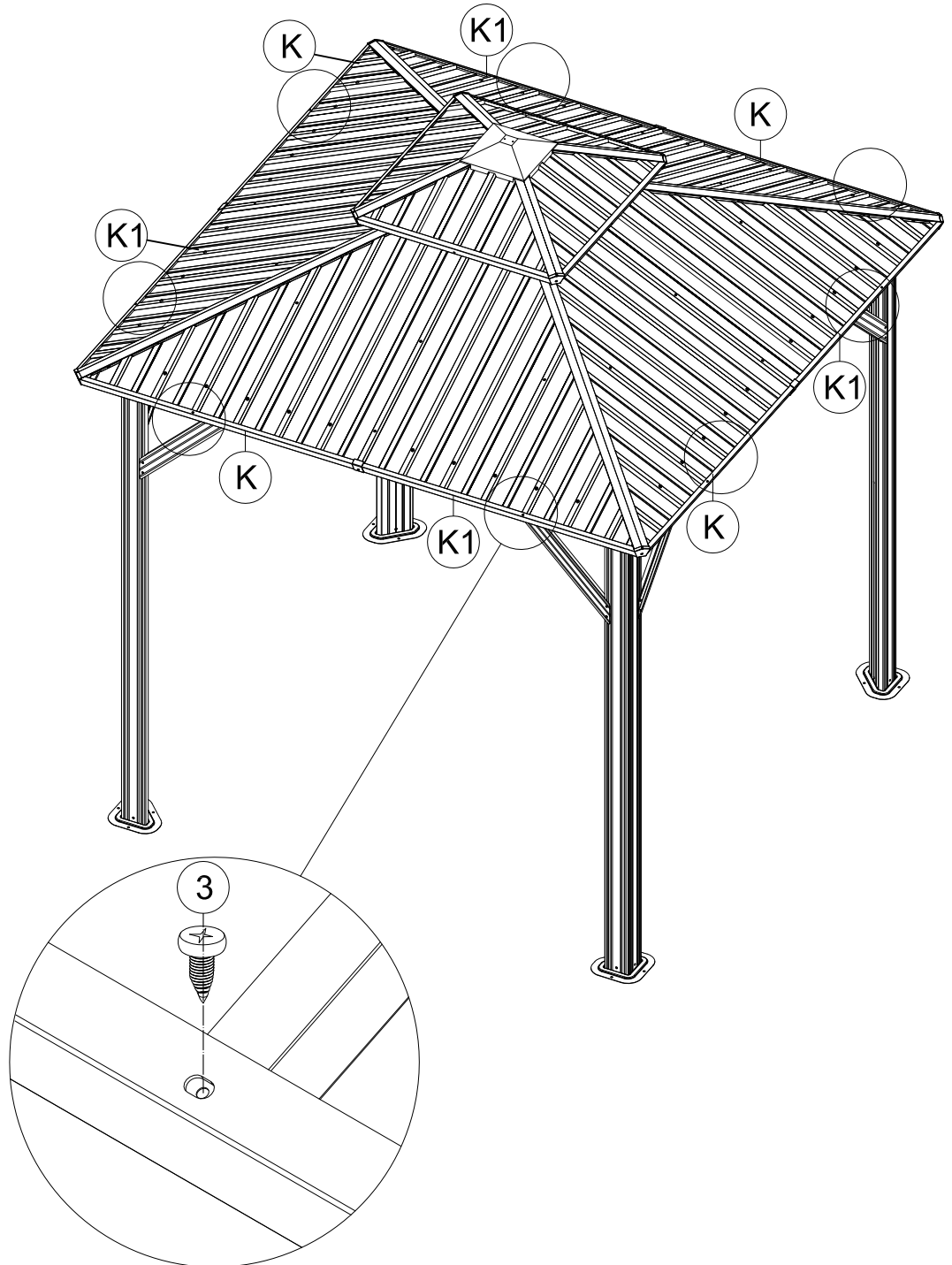
(1) Place Part #K1 and Part #K on Part #E; Put on Part #X3 and secure with Self-tapping Screw #2.

(2) Repeat the above procedures for the other 3 corners.



ST5x16

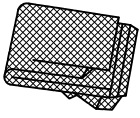
3 8x



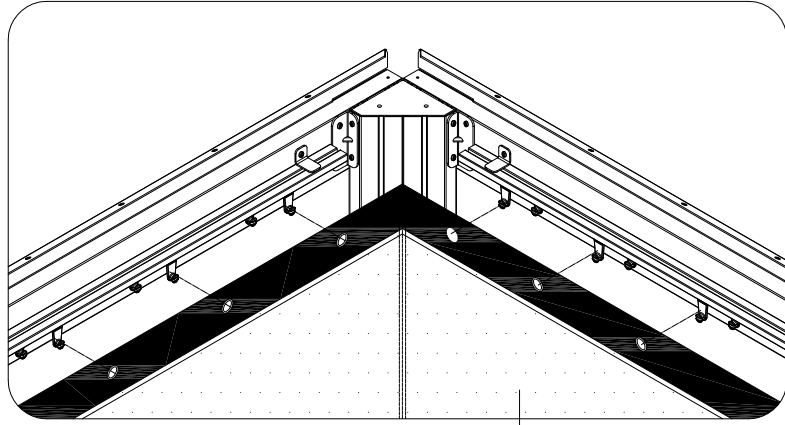
(1) Attach roof panels to finishing bars with 2 Self-tapping Screws #3.

(2) Repeat the above procedures for the other 3 sides.

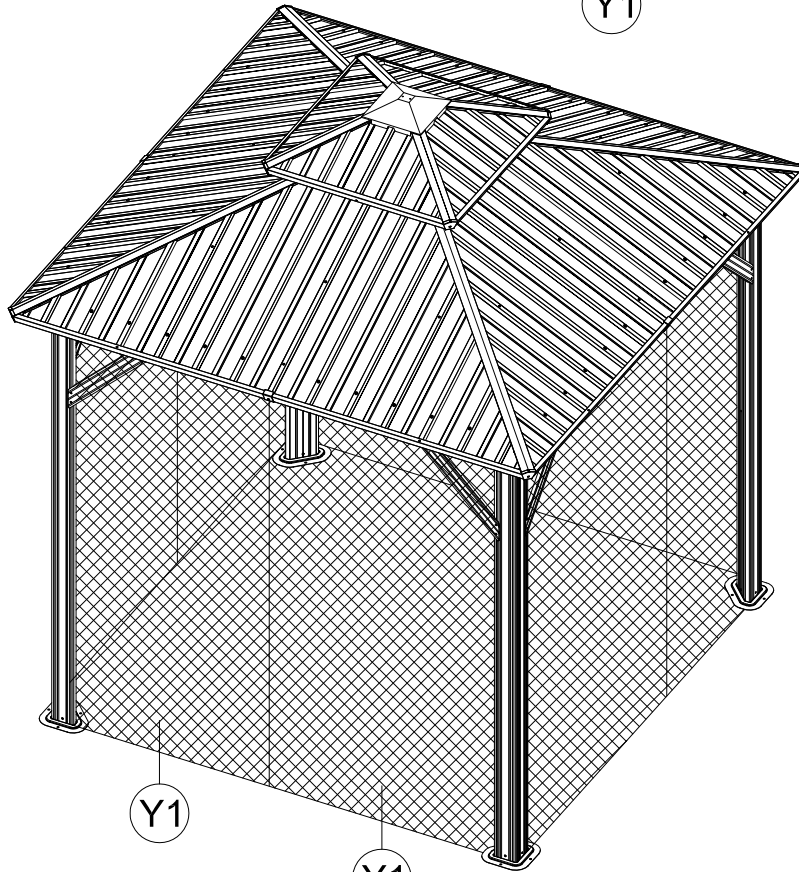
Hang up Mosquito Sidewalls to Inside Track



Y1 4x



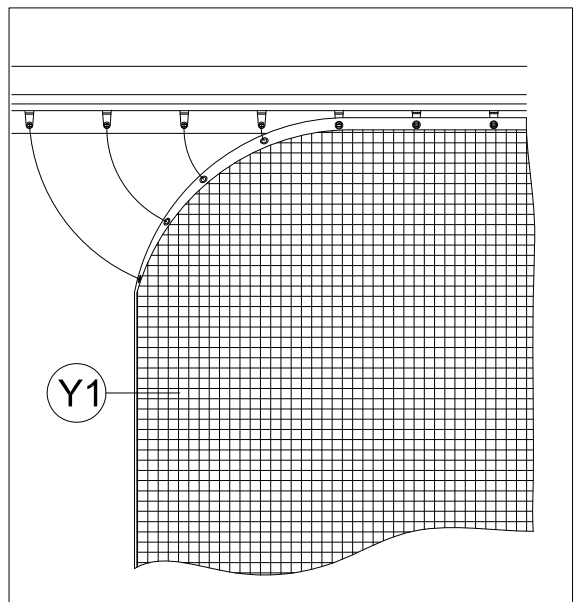
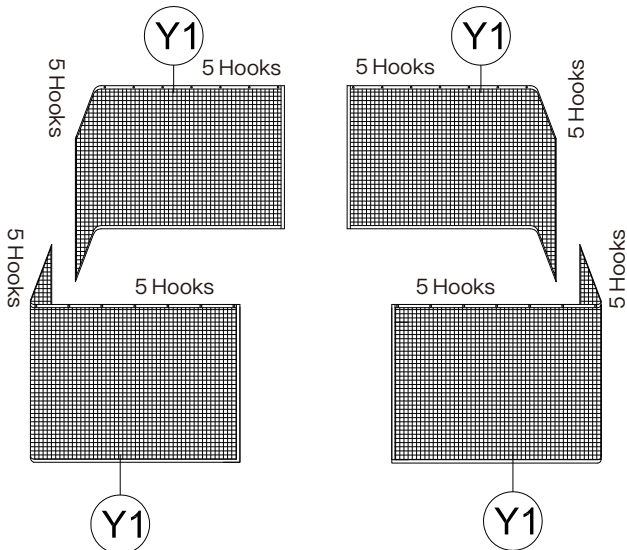
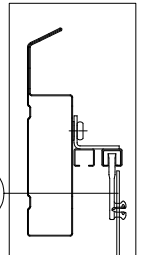
Y1

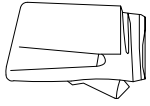


Y1

Y1

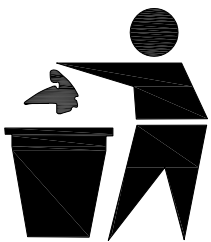
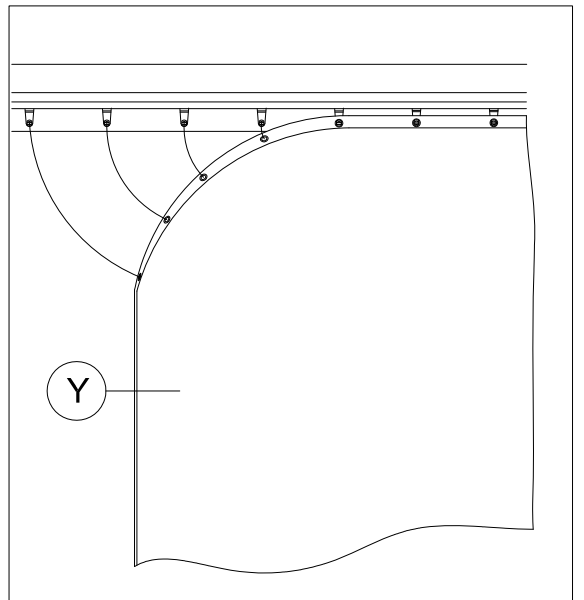
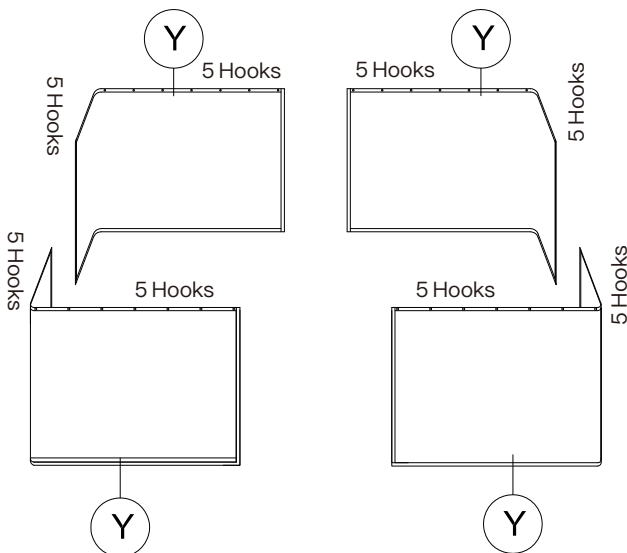
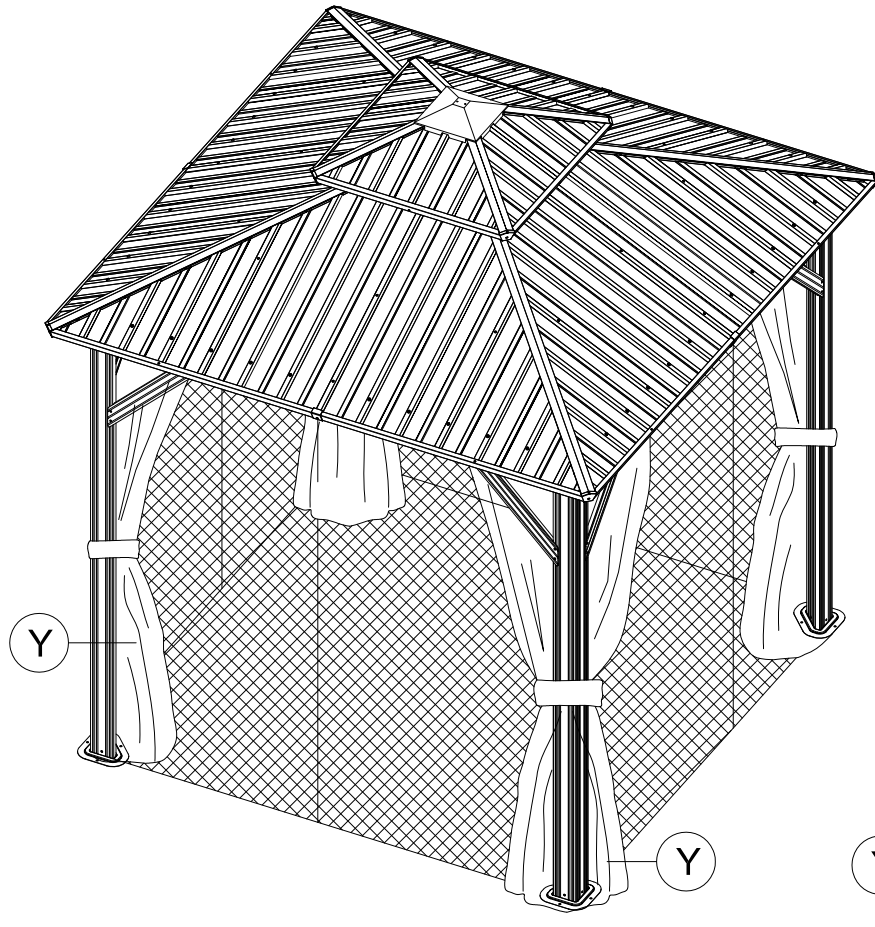
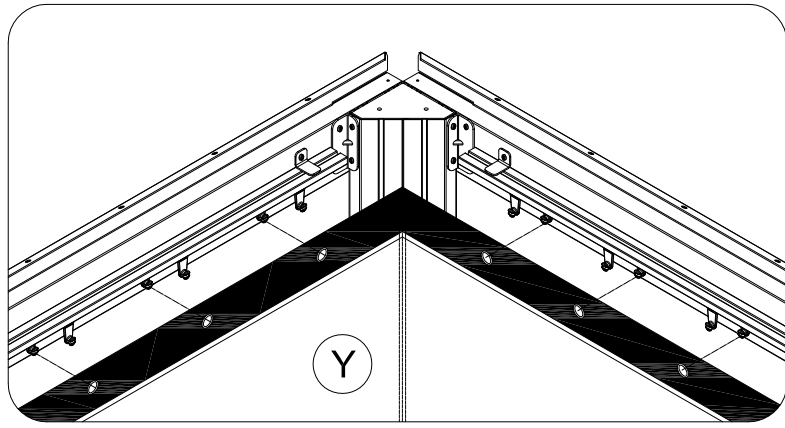
Y1





Y 4x

Hang up Mosquito Sidewalls to Inside Track



Thanks for your purchase.

At domi outdoor living, we believe in our products.

That's why we provide a 12-month warranty and

friendly, easy-to-reach after-sales service. So if you

have any questions about our product and assembly-

,please feel free to contact us. We will be here for you.

Support:



After-sales contact email:

service@domioutdoorliving.com

Please tell us your order ID when contact.

Attach photos of damaged part for instant reply.