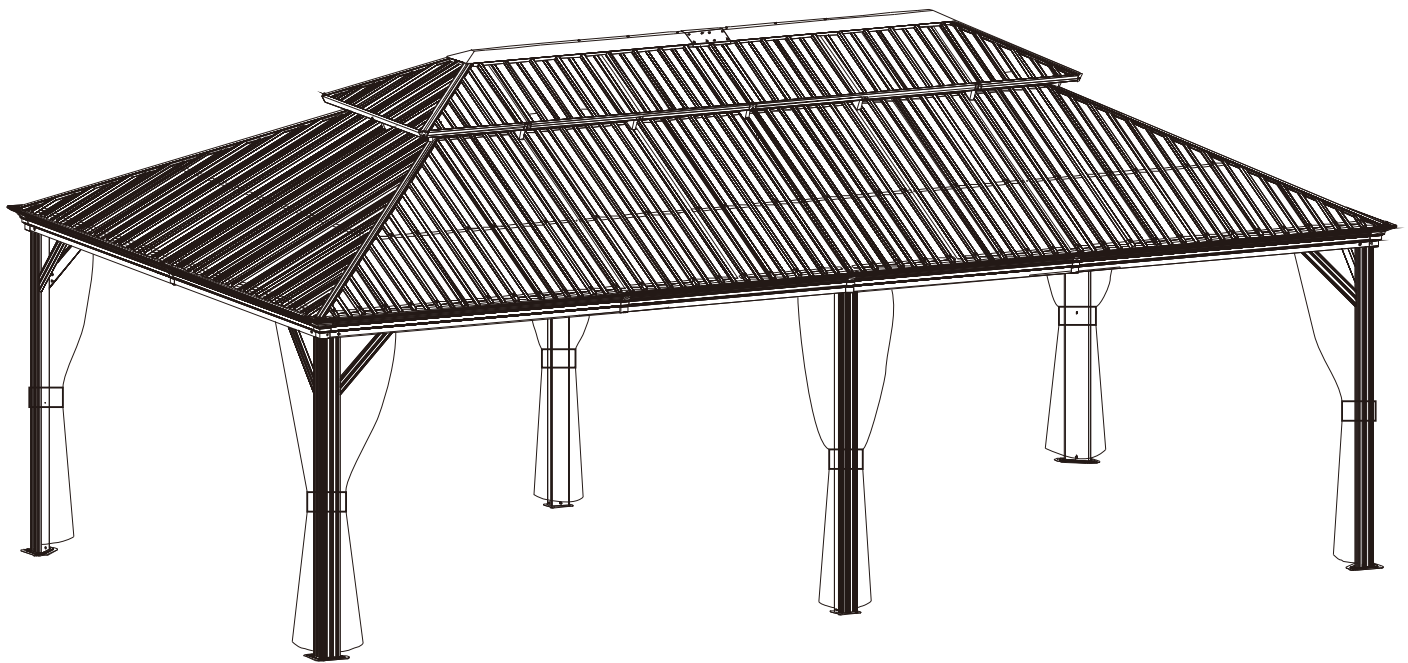




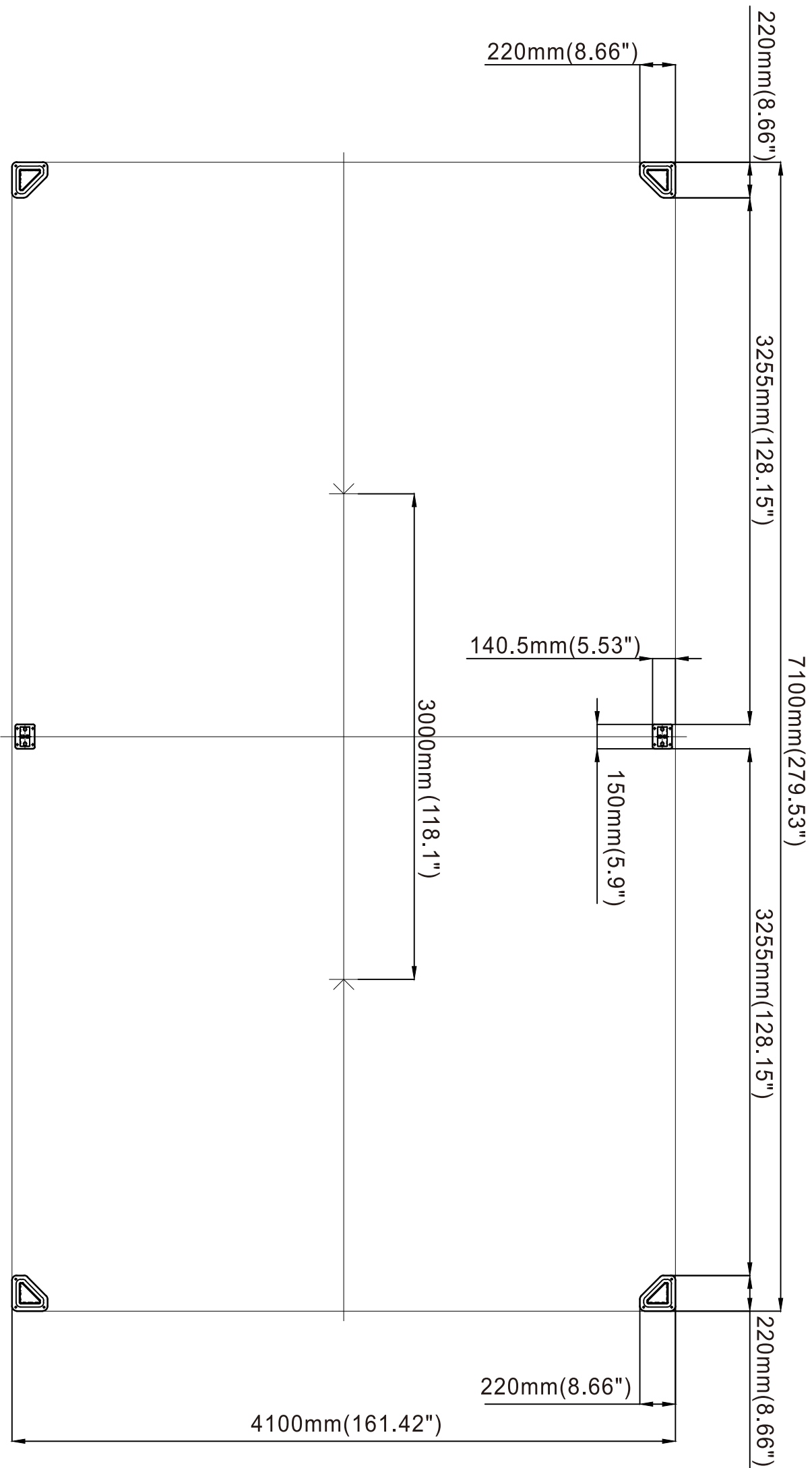
# 14' × 24' HARDTOP GAZEBO WITH DOUBLE ROOF ASSEMBLY MANUAL



**MODEL#:LGMF1643**

Missing part? Damaged? Contact us via email at

[service@domioutdoorliving.com](mailto:service@domioutdoorliving.com)



1643

1

LGMF1643

# Pre-assembly



1. Two or more people are required for assembly.



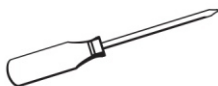
2. You will need one or more stepladders.



3. Wearing protective gloves is recommended.



4. You may need a safety hat.



5. Please use a Phillips screw driver.



6. For ease of construction, you may need a drill.



7. You may need a safety goggle.



8. Do not fully tighten screws prior to complete assembly.

## Warning & Attention

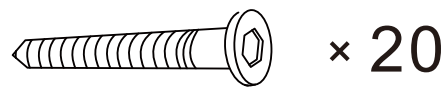
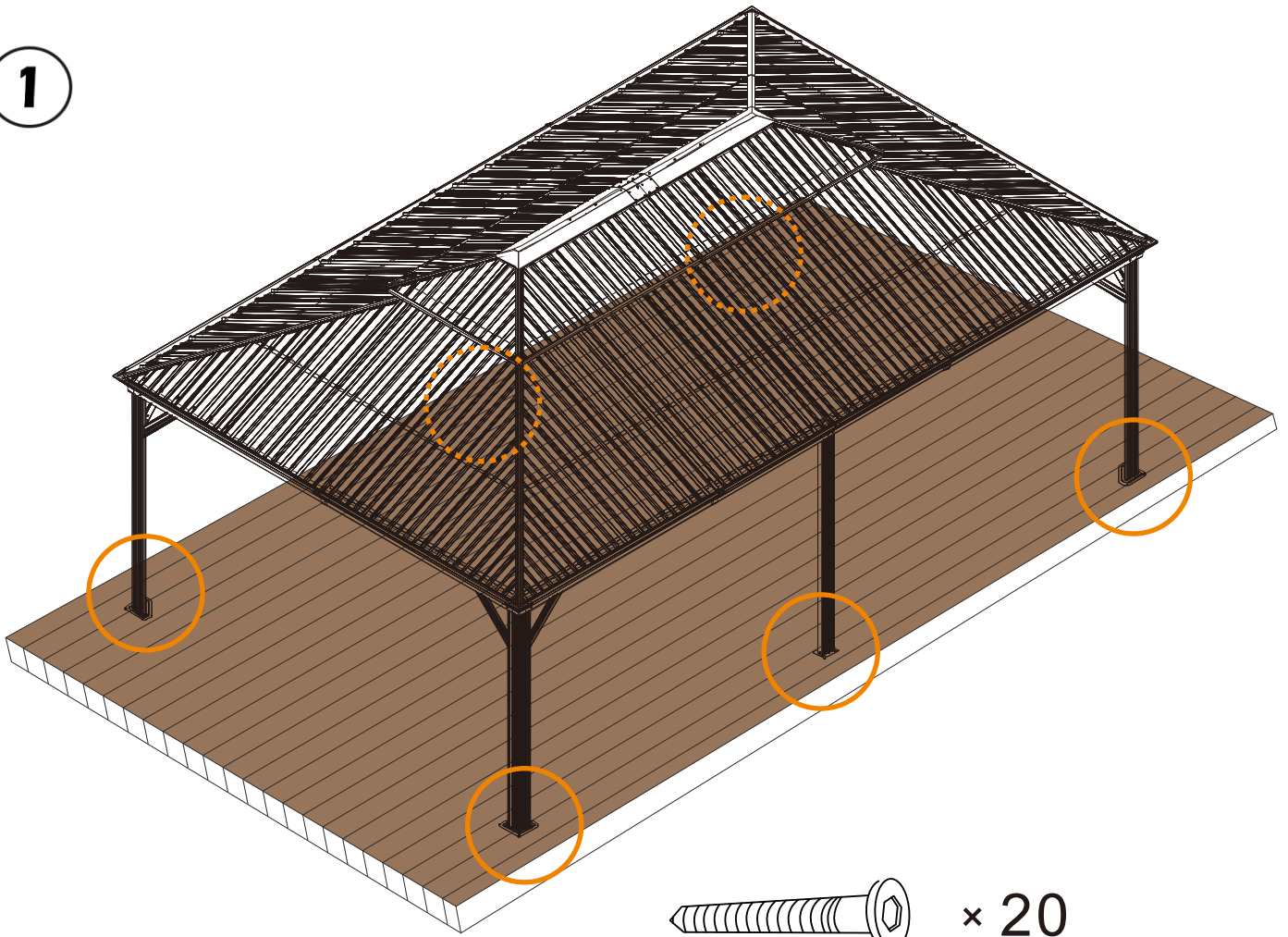
-Try to assemble this product on the flat ground, otherwise it is difficult to carry out;

-It would be much easier to assemble the product with three or more people;

-After assembly, please check whether all screws are tightened, to prevent parts from falling apart.

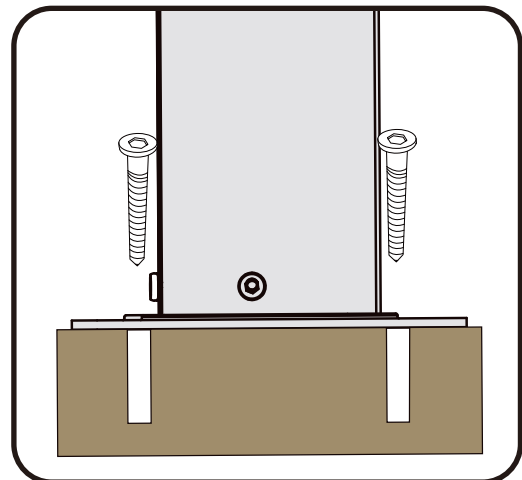
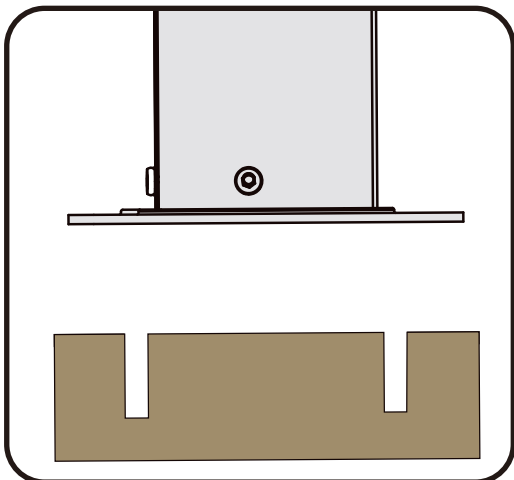
▲ Use bolts to secure the frame to the ground to against the strong wind.

1

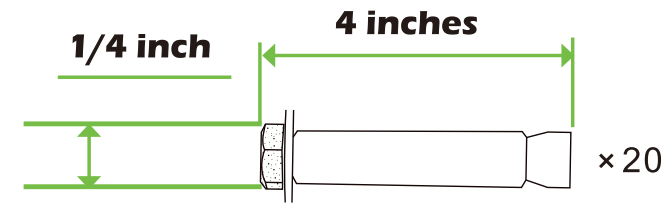
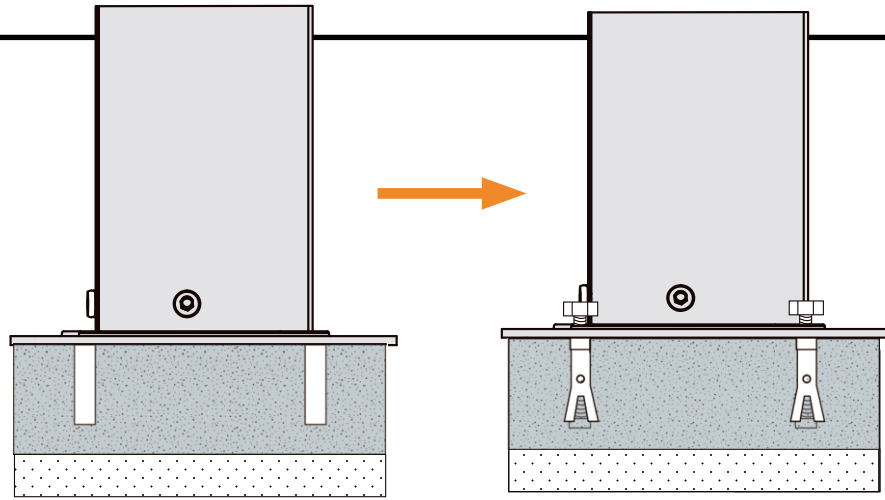


× 20

If the deck is hard wood and the depth of it is over 3 inch, you can use **5/16 in. × 4 in. Structural Wood Screw** to mount the gazebo.

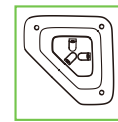
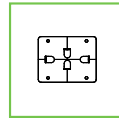
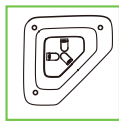


2

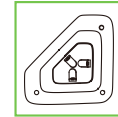
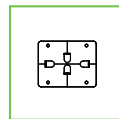
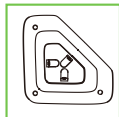


If the ground is concreted and the depth of it is over 3 inch, you can use 1/4 inch expansion bolts to mount the gazebo

3

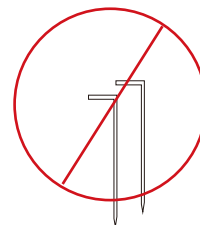



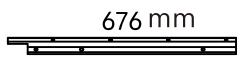
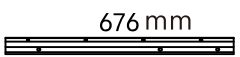

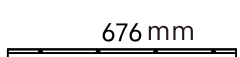
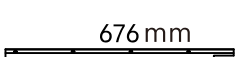

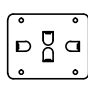
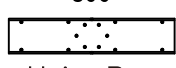
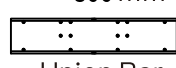
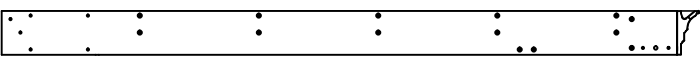
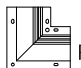
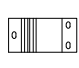

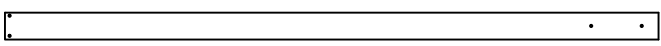
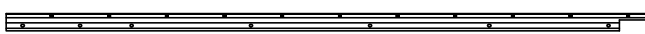



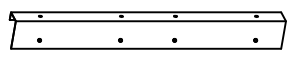

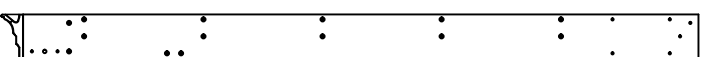
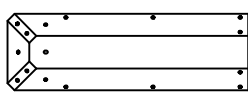
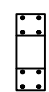
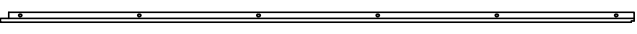
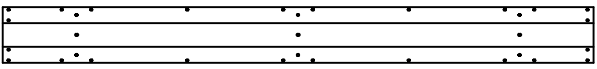

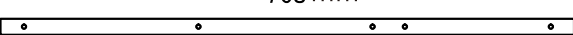

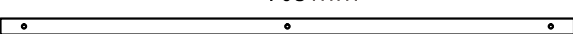
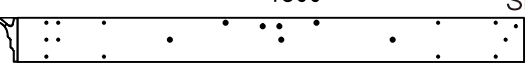
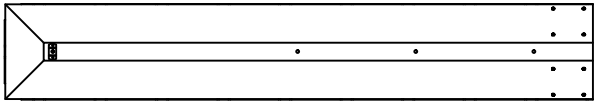
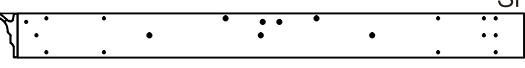
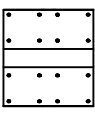

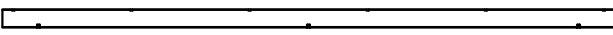
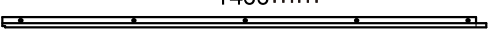
15 in.




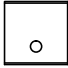
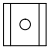
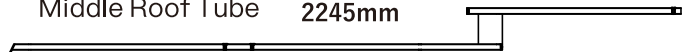
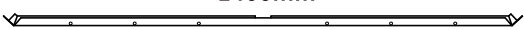

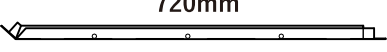
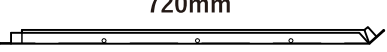
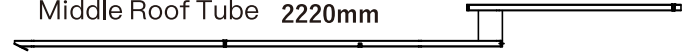
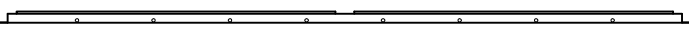
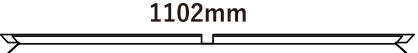
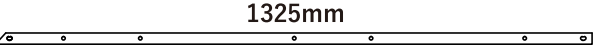

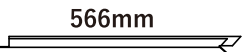
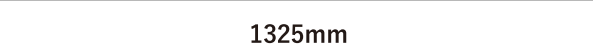

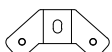



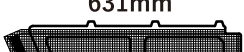




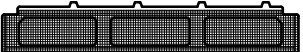
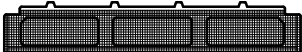
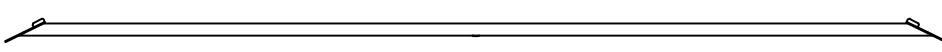

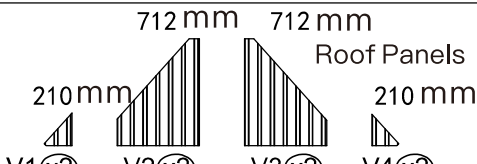
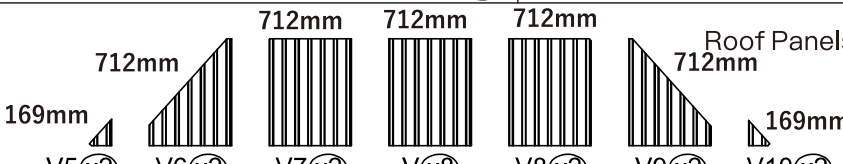
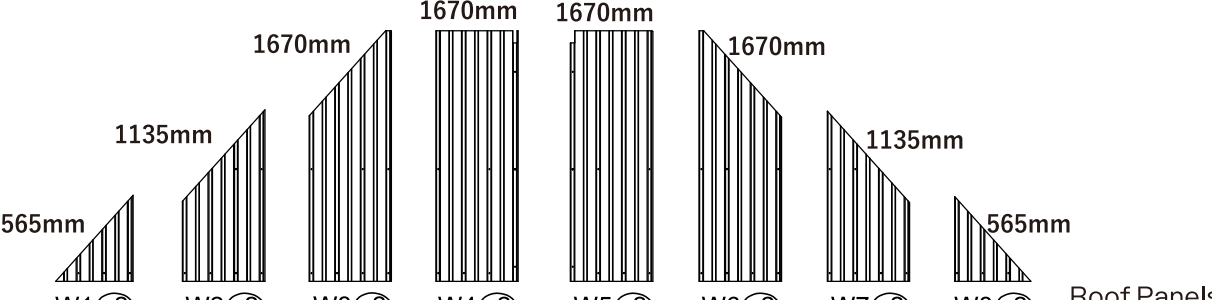


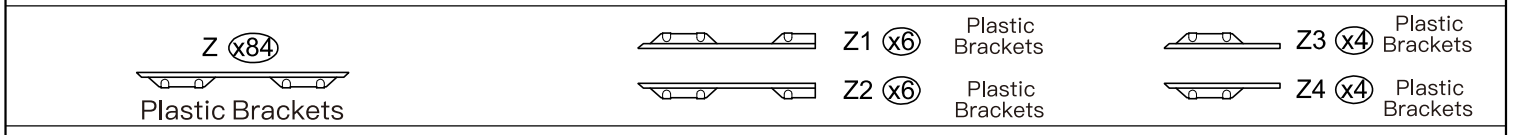
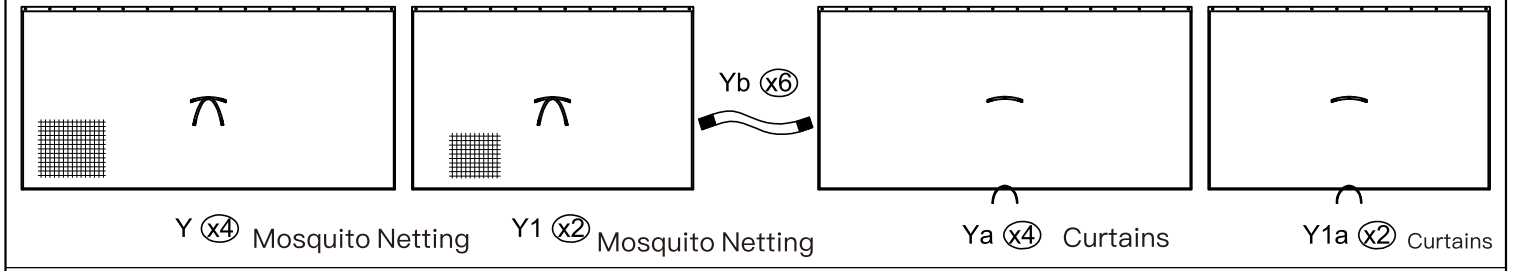
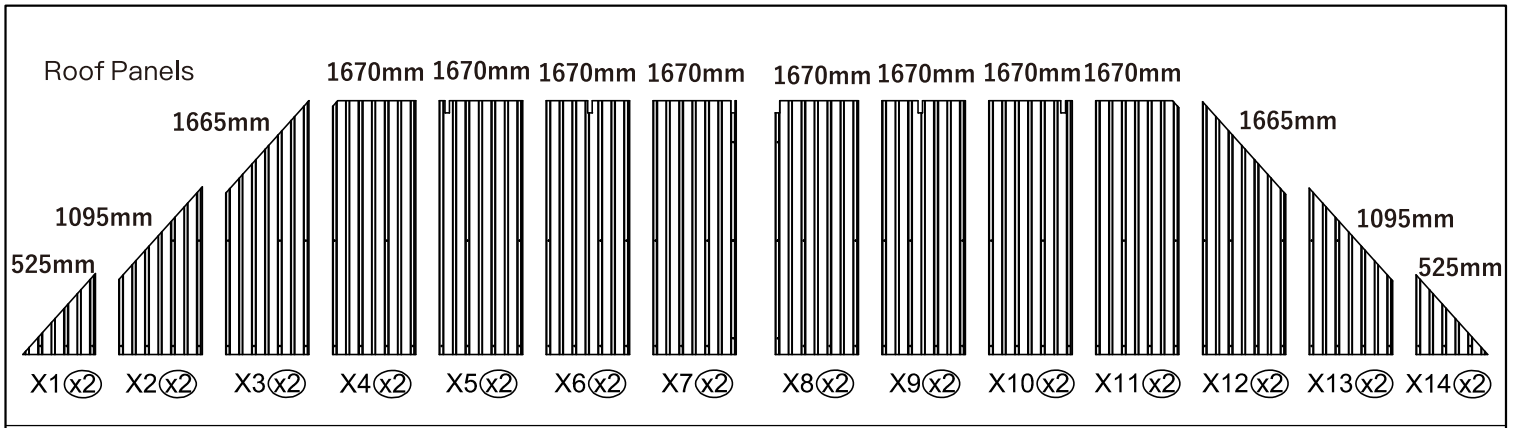
Or you can make a concrete footing for gazebo, **15×15×15 inches** is recommended. use expansion bolts to mount the pergola like ② shows.

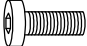
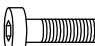

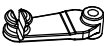

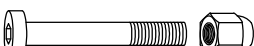



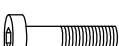

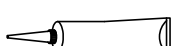
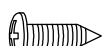


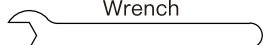

**IMPORTANT:**  
Anchor is not recommended



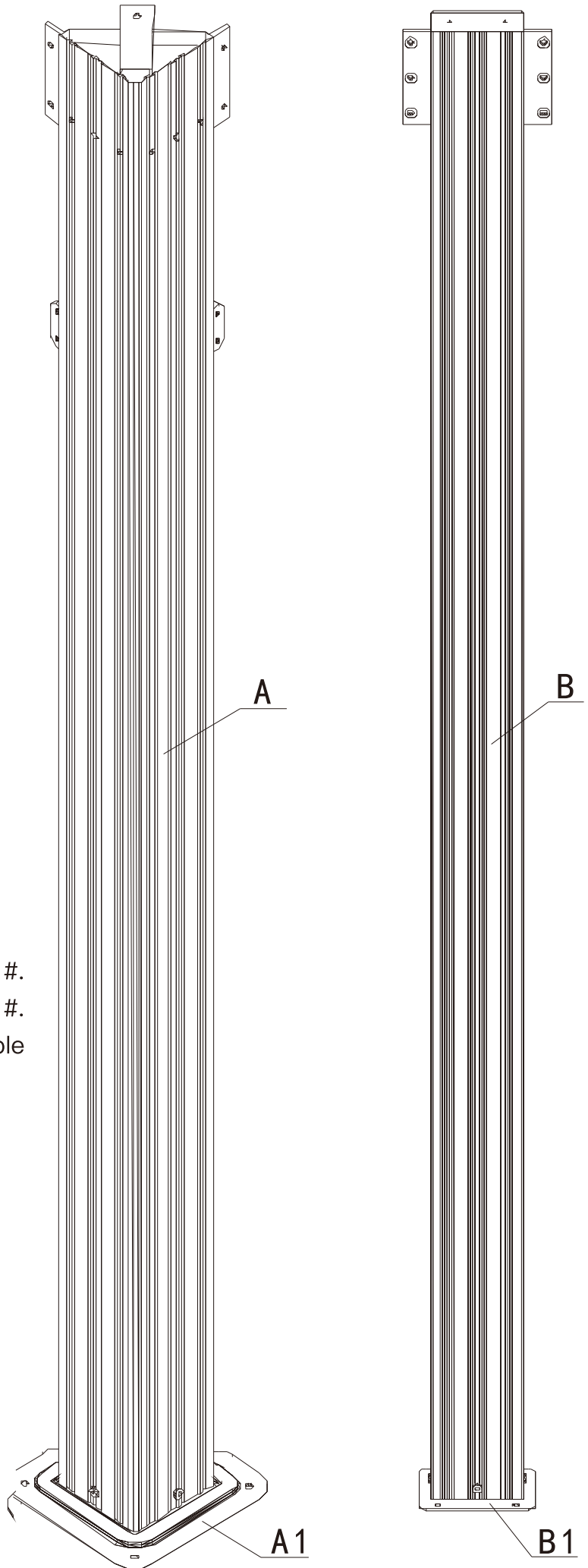
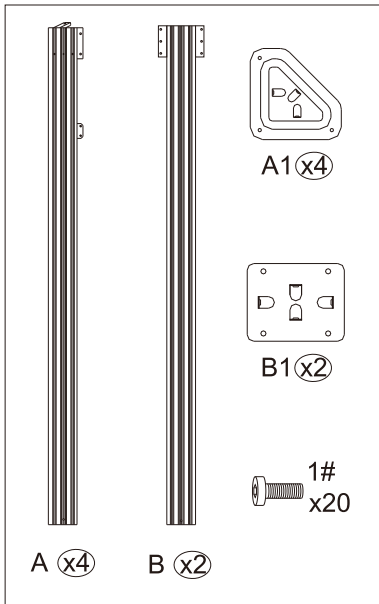
 2080 mm Corner Post A (x4)		 676 mm Joint Bar E6 (x2)	 676 mm Joint Bar E5 (x2)
 2080 mm Middle Post B (x2)		 676 mm Joint Bar E8 (x2)	 676 mm Joint Bar E7 (x2)
 Base A1 (x4)	 Base B1 (x2)	 600 mm Union Bar F (x6)	 600 mm Union Bar F1 (x2)
 2000 mm Beam C (x4)		 Corner Roof Cover G (x4)	 Joint Cover H (x8)
 1877mm Sidewall Track C1 (x4)		 1936 mm Middle Support Tube J (x2)	
 1896 mm Joint Bar C2 (x2)		 555 mm Corner Solidifying Bar J1 (x4)	 555 mm Corner Solidifying Bar J2 (x4)
 1905 mm Joint Bar C3 (x2)		 Union Bar J3 (x2)	 Bracket J4 (x2)
 2000 mm Beam D (x4)		 Inside Roof 594 mm K (x2)	 Roof Connector K1 (x2)
 1877mm Sidewall Track D1 (x4)		 2000 mm Inside Roof K2 (x1)	
 1896mm Joint Bar D2 (x2)		 708 mm Solidifying Bar K3 (x4)	
 1905 mm Joint Bar D3 (x2)		 708 mm Solidifying Bar K4 (x4)	
 1500 mm Short Beam E1 (x2)		 Outside Roof 1633 mm L (x2)	
 1500 mm Short Beam E2 (x2)		 Roof Connector L1 (x1)	
 1433 mm Sidewall Track E3 (x2)		 1700 mm Solidifying Bar L2 (x1)	
 1433 mm Sidewall Track E4 (x2)			

<p>Corner Roof Tube  Mb(x4)</p> <p> Ma(x4)</p> <p>M(x4)</p>	 Finishing End R(x8)	 Finishing End R1(x6)	 Black Rubber S(x196)
<p>Middle Roof Tube 2245mm  N(x2)</p>	<p> Finishing Bars T(x2)</p>		
<p>Middle Roof Tube 2245mm  N1(x8)</p>	<p> Finishing Bars T1(x2)</p> <p> Finishing Bars T2(x2)</p>		
<p>Middle Roof Tube 2220mm  N2(x2)</p>	<p> Finishing Bar T3(x4)</p>		
<p> Finishing Bars P(x2)</p>	<p> Solidifying Bar U1(x4)</p>		
<p> Finishing Bars P1(x2)</p>	<p> Finishing Bars P2(x2)</p>	<p> Solidifying Bar U2(x4)</p>	
<p> Finishing Bars P3(x4)</p>	<p> Bracket U3(x4)</p>	<p> Bracket U4(x12)</p>	
<p> Net Frame Q(x2)</p>	<p> Solidifying Bar U5(x4)</p>		
<p> Net Frame Q1(x2)</p>	<p> Net Frame Q2(x2)</p>	<p> Solidifying Bar U6(x4)</p>	
<p> Net Frame 790mm Q3(x2)</p>	<p> Net Frame 790mm Q4(x2)</p>		
<p> Net Frame 790mm Q5(x2)</p>	<p> Net Frame 790mm Q6(x2)</p>		
<p> Solidifying Bar O(x5)</p>		<p> J-Hooks O1(x5)</p>	
<p> Roof Panels V1(x2) V2(x2) V3(x2) V4(x2)</p>	<p> Roof Panels V5(x2) V6(x2) V7(x2) V8(x8) V9(x2) V10(x2)</p>		
<p> Roof Panels W1(x2) W2(x2) W3(x2) W4(x2) W5(x2) W6(x2) W7(x2) W8(x2)</p>			

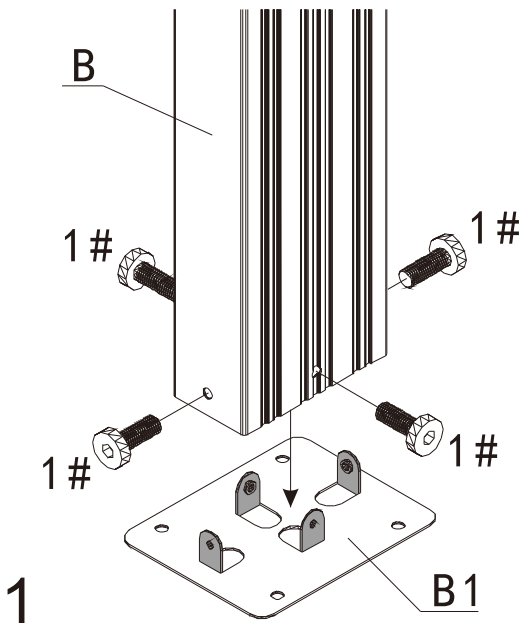


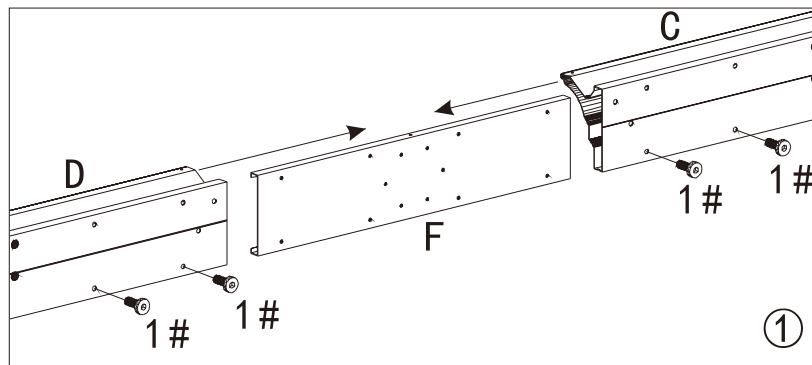
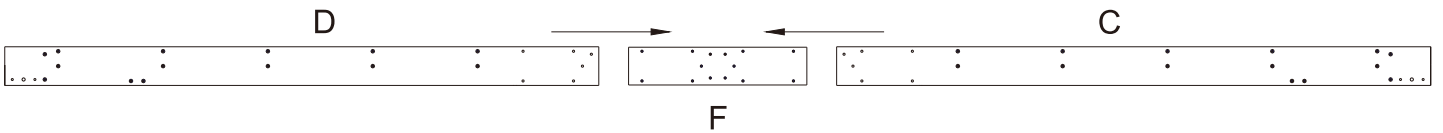
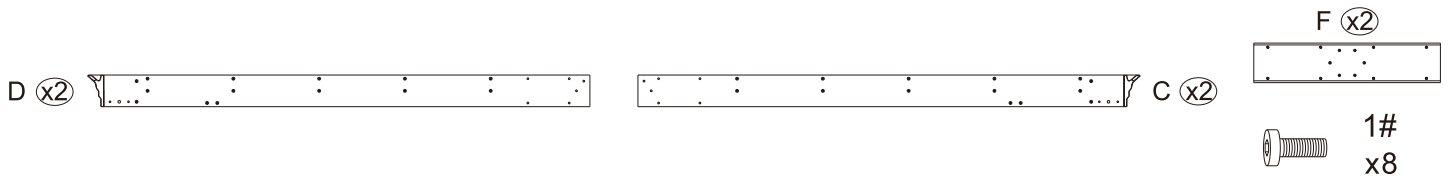
	M6x16	Bolts	1# x449
	M6x20	Bolts	2# x24
		Bolts	3# x16
		Hooks	4# x176
	M6x28	Bolts	5# x124
	M6x45	Bolts	6# x8
	M6x50	Bolts	7# x60
	M5x16	Bolts	8# x8
	ST4.8x13	Screws	9# x32
	M6x25	Bolts	10# x4
	M6x10	Bolts	11# x52
	Silicone Sealant	12# x1	
			ST6.3x16 Screws 13# x4
	Stakes	x1	
	Stakes	x2	
	Wrench	x1	
	Wrench	x1	



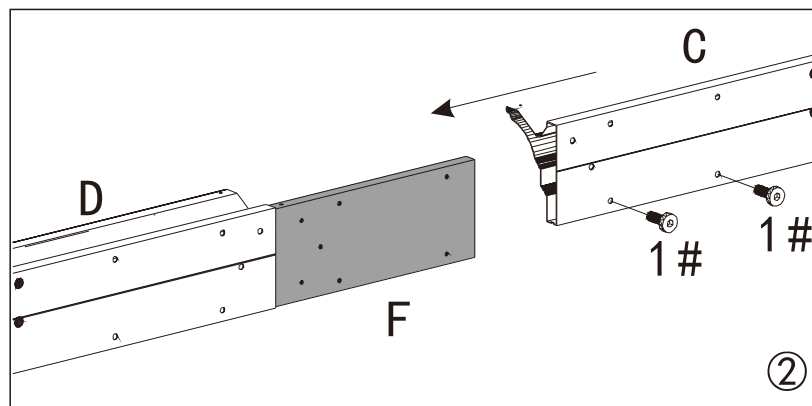


- (1) Attach Part #A1 to Part #A with 3 Bolts 1#.
- (2) Attach Part #B1 to Part #B with 4 Bolts 1#.
- (3) Repeat the above procedures to assemble the other 3 Part #A and 1 Part #B.

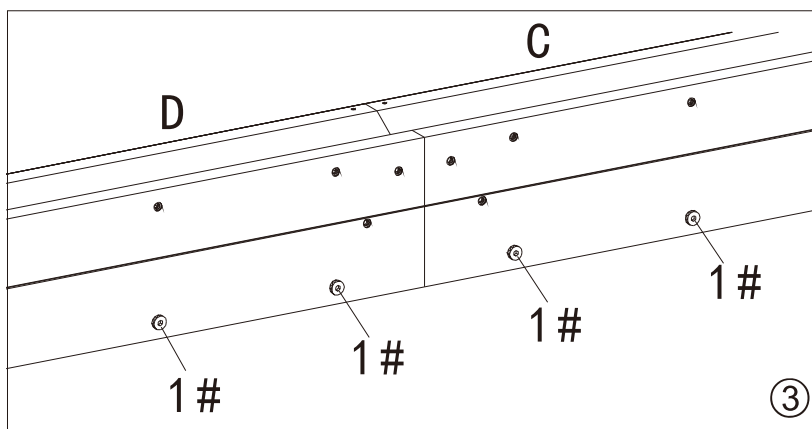




(1) Insert Part #F into Part #D and secure with 2 Bolts 1#.

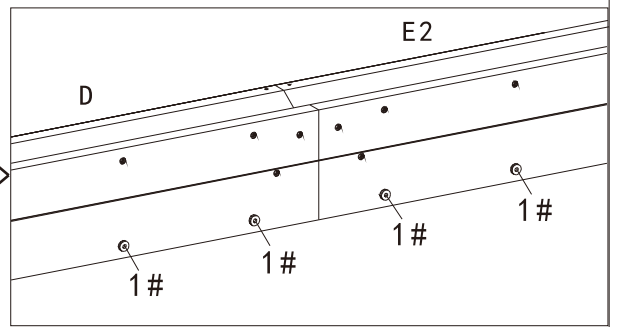
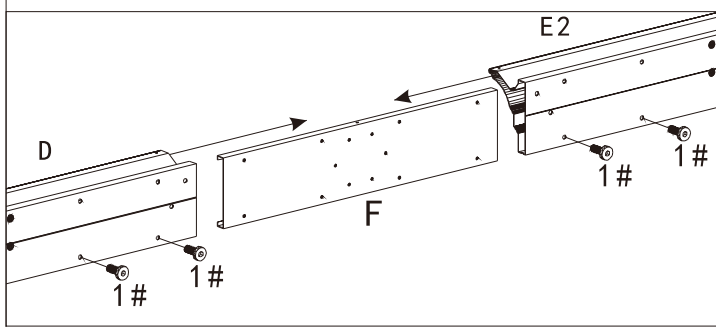
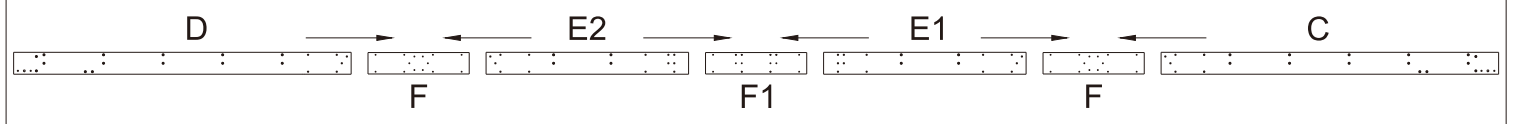
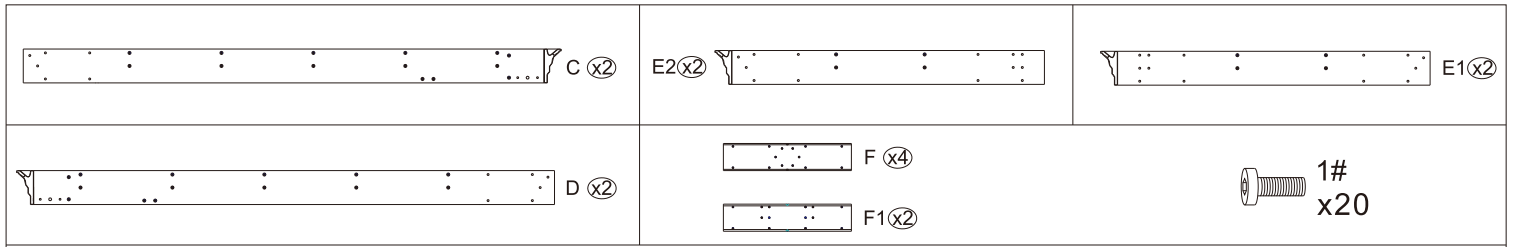


(2) Insert the other side of Part #F into Part #C and secure with 2 Bolts 1#.

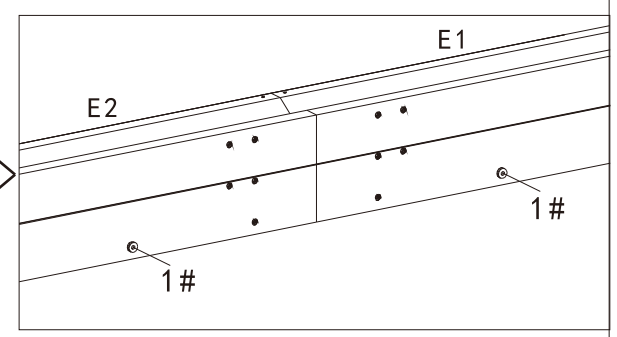
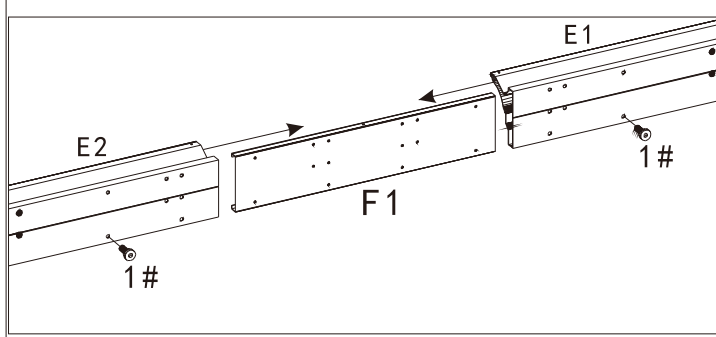


2 (3) Repeat the above procedures to assemble another Part #D, Part #C and Part #F.

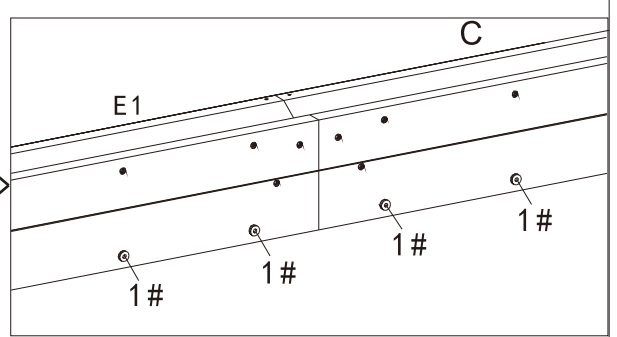
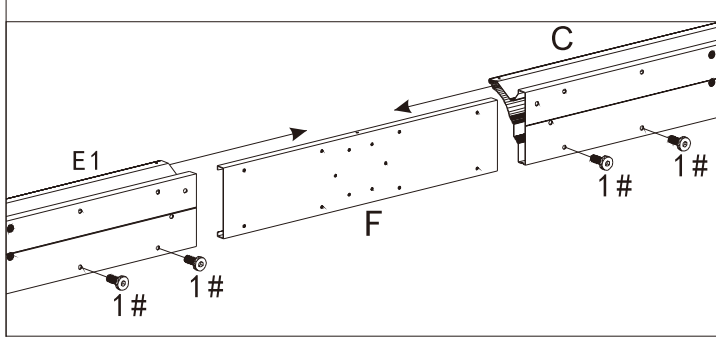




(1) Use Part #F to connect Part #D and Part #E2, and secure with 4 Bolts 1#.



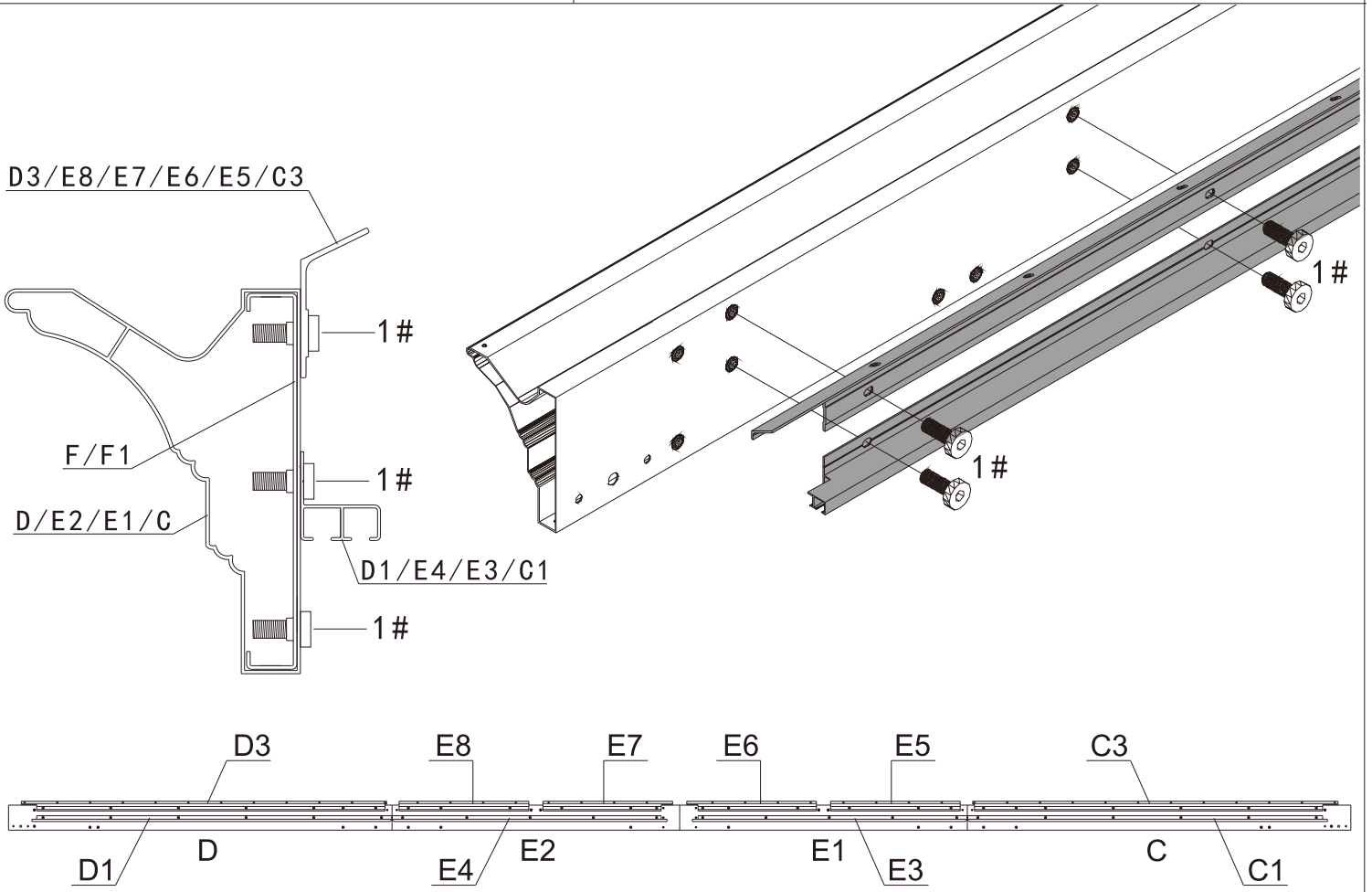
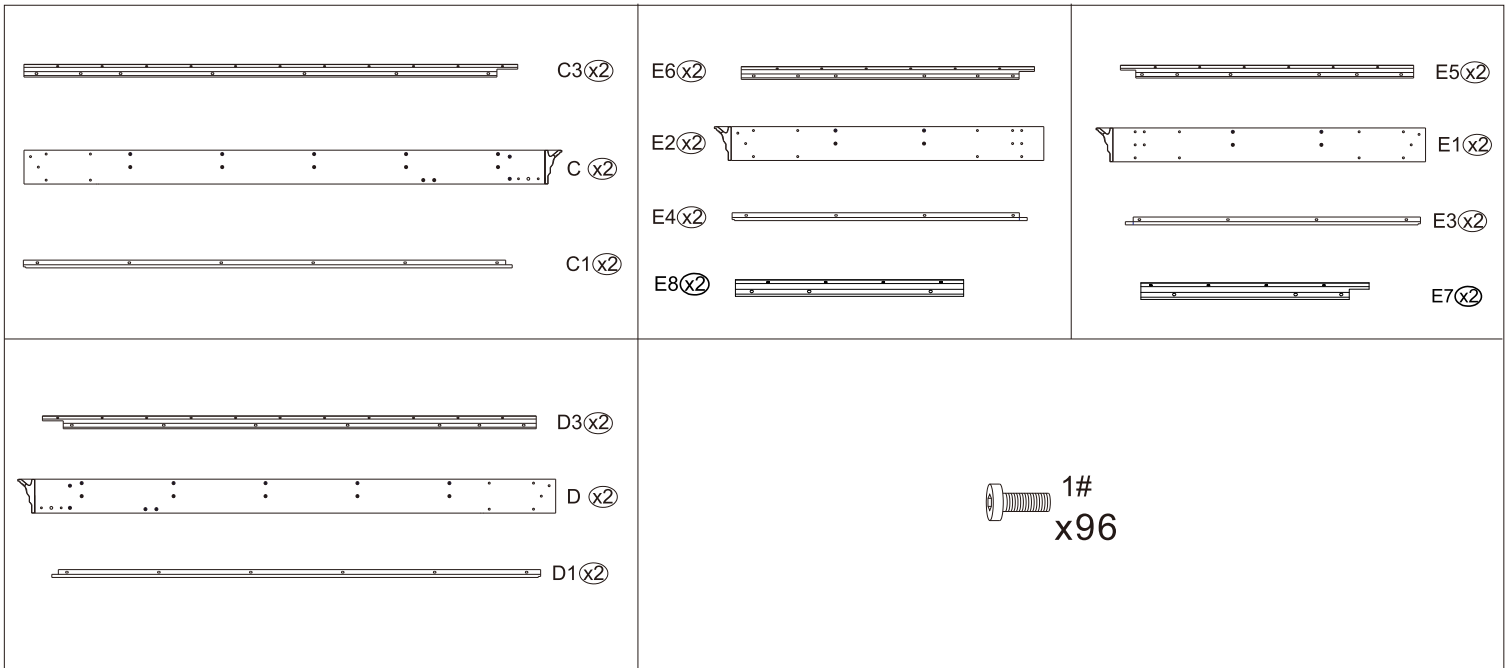
(2) Use Part #F1 to connect Part#E2 and Part #E1, and secure with 2 Bolts 1#.



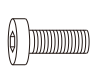
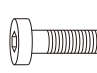
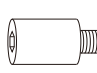
(3) Use Part #F to connect Part #E1 and Part #C, and secure with 4 Bolts 1#.

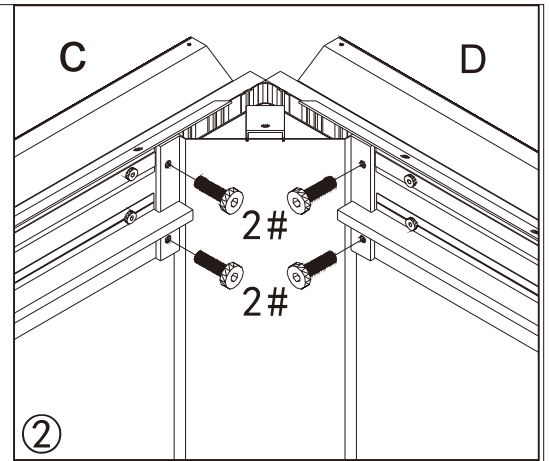
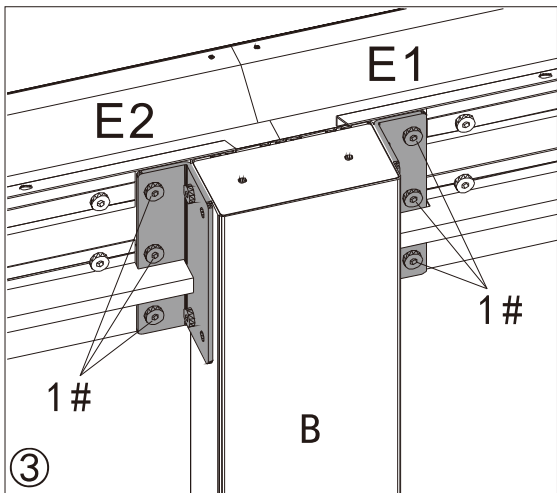
(4) Repeat the above procedures to assemble another Part #D, Part #E2, Part #E1,

**4** Part #C.

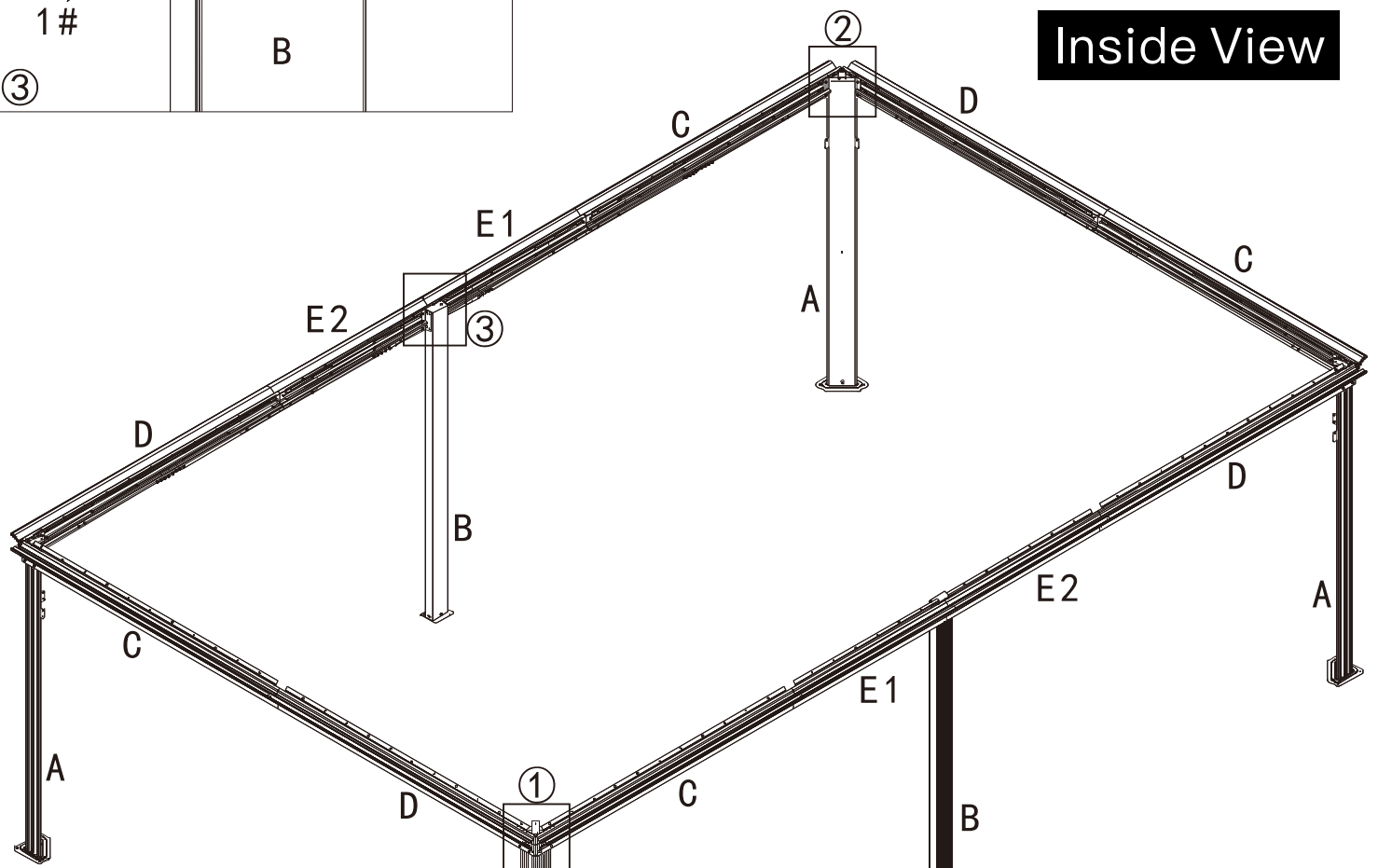


- (1) Attach Part #D1 to Part #D with 6 bolts 1#; Attach Part #D3 to Part #D with 7 Bolts 1#.
- (2) Attach Part #E8&#E7 to Part #E2 with 6 bolts 1#; Attach Part #E4 to Part #E2 with 5 Bolts 1#.
- (3) Attach Part #E6&#E5 to Part #E1 with 6 bolts 1#; Attach Part #E3 to Part #E1 with 5 Bolts 1#.
- (4) Attach Part #C3 to Part #C with 7 bolts 1#; Attach Part #C1 to Part #C with 6 Bolts 1#.
- (5) Repeat the above procedures to assemble another Part #D, Part #E2, Part #E1, Part #C.

-  1# x12
-  2# x16
-  3# x16



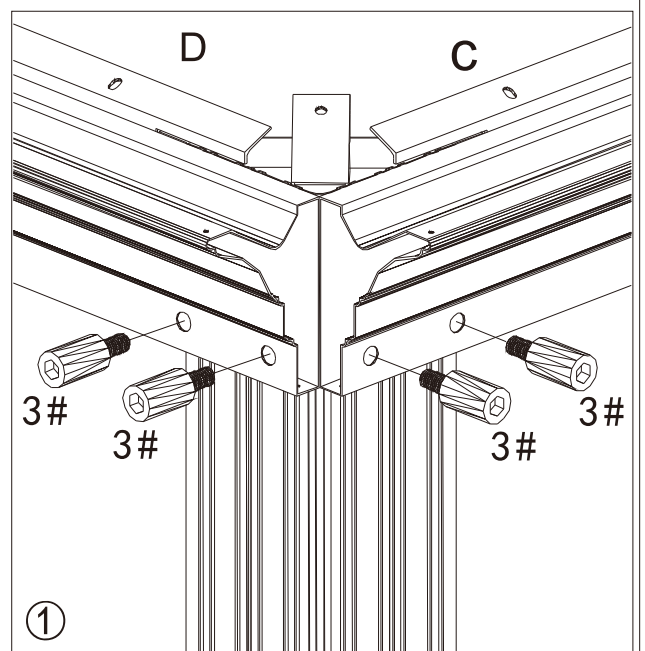
**Inside View**

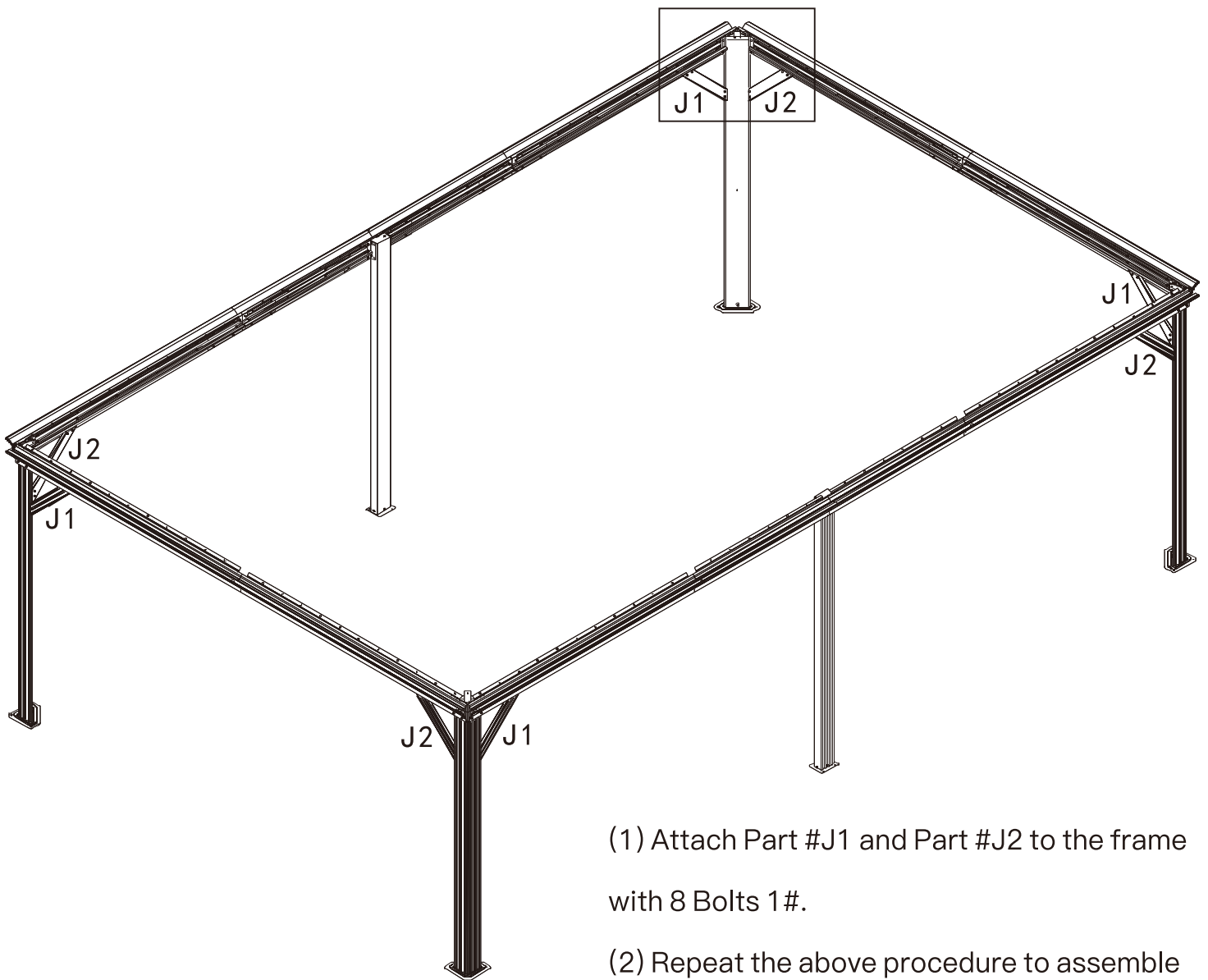
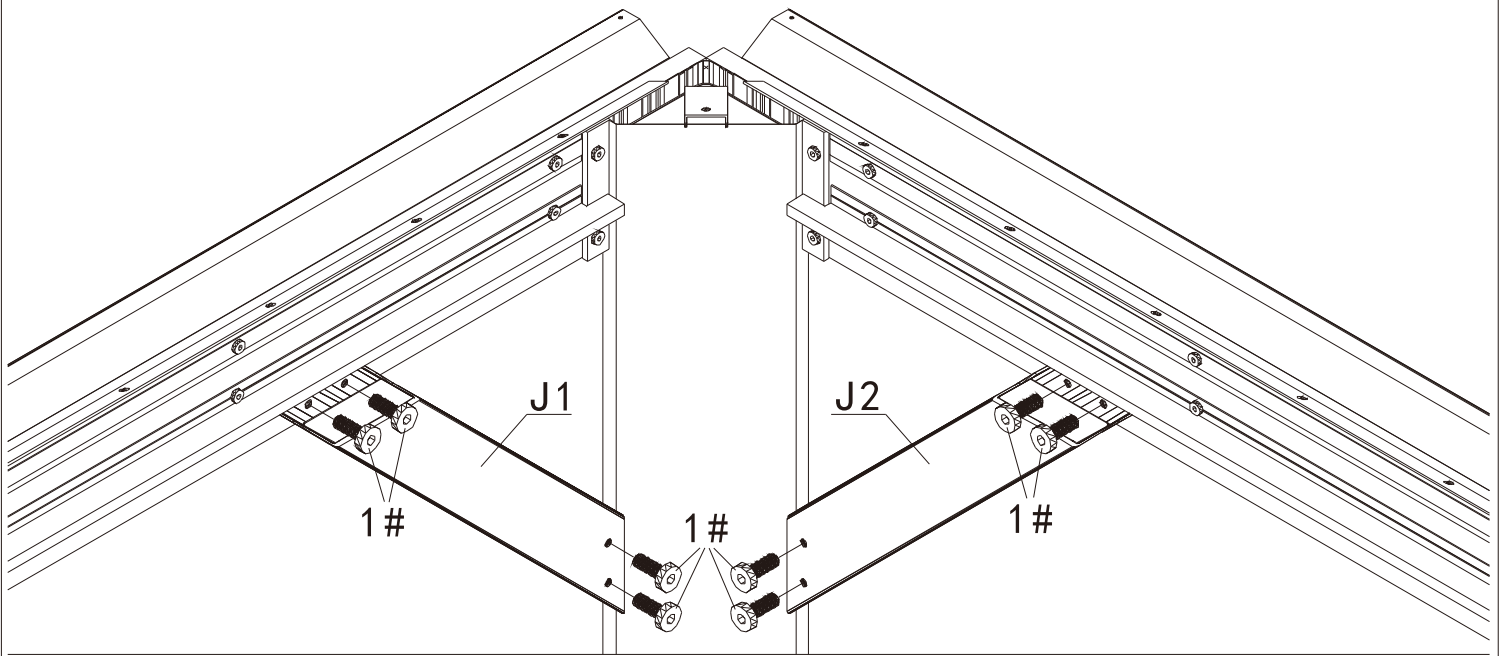
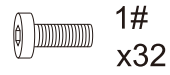


**Outside View**

- ① Connect Part #C and Part #D to Part #A with 4 Bolts 3#. (From Outside)
- ② Connect Part #C and Part #D to Part#A with 4 Bolts 2#. (From Inside)
- ③ Connect Part #B to assembled Part #E1&#E2 with 6 Bolts 1#. (From Inside)

Repeat the above procedures to assemble the other 3 Parts #A and another Part #B.





(1) Attach Part #J1 and Part #J2 to the frame with 8 Bolts 1#.

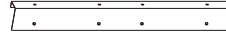
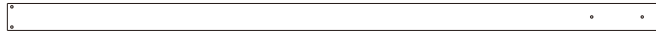
(2) Repeat the above procedure to assemble the other 3 corners.

J (x2)

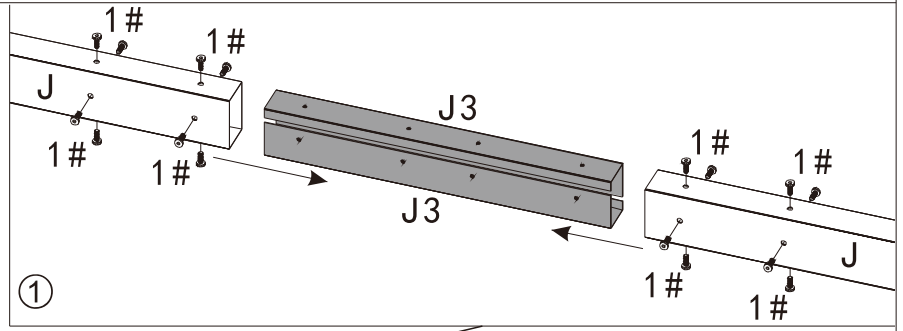
J3 (x2)

J4 (x2)

1#  
x32



(1) Use part #J3 to connect two middle support tubes #J, and secure with 16 Bolts 1#.

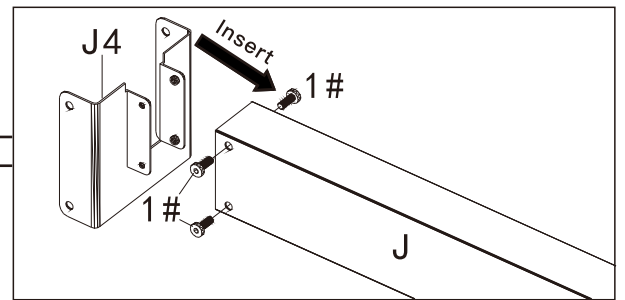
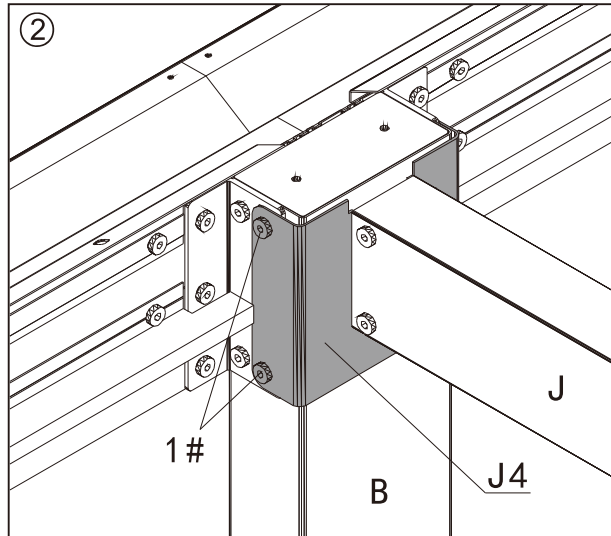
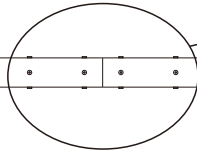


J4

J

J

J4



E1

E2

J

J

B

E2

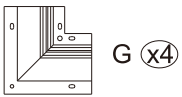
E1

B

(2) Attach middle support tubes #J to Bracket #J4 and secure 8 Bolts 1#.

(3) Attach assembled Part #J&#J4 to assembled Beams #E1&E2 and secure 8 Bolts 1#.

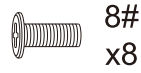




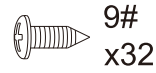
G (x4)



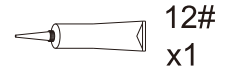
H (x8)



8#  
x8

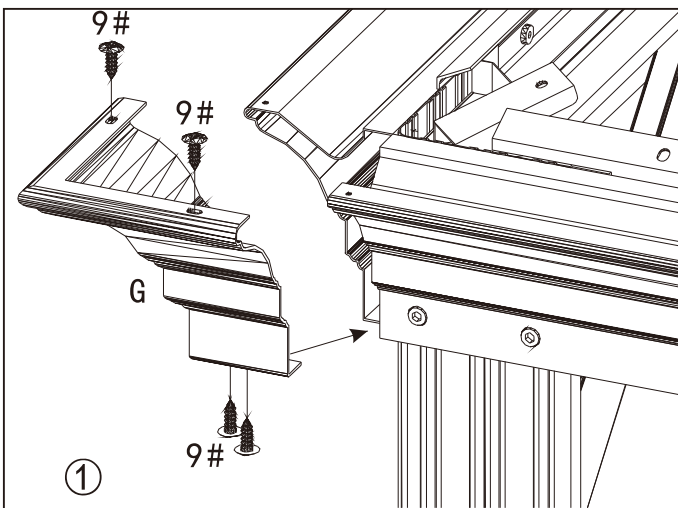
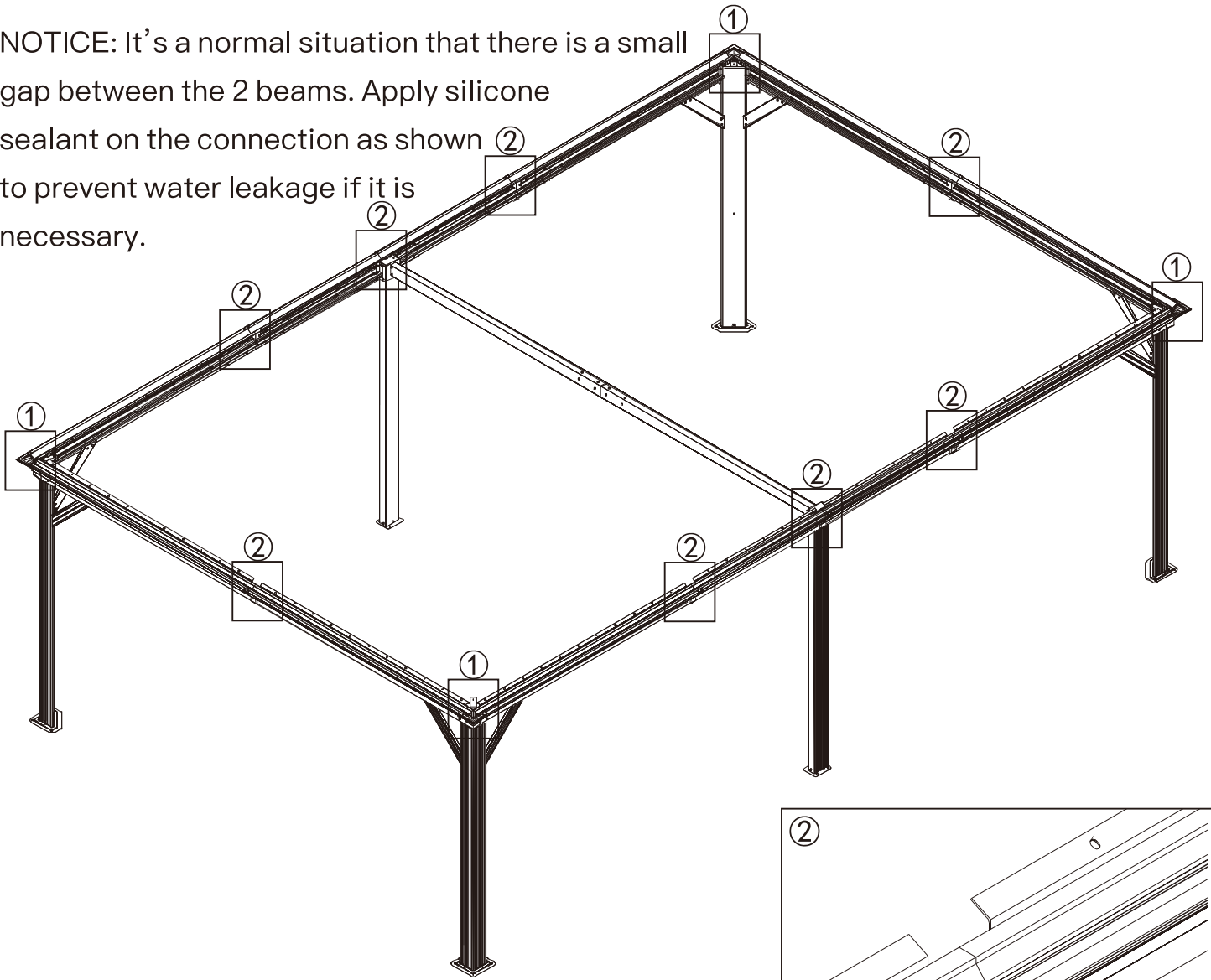


9#  
x32

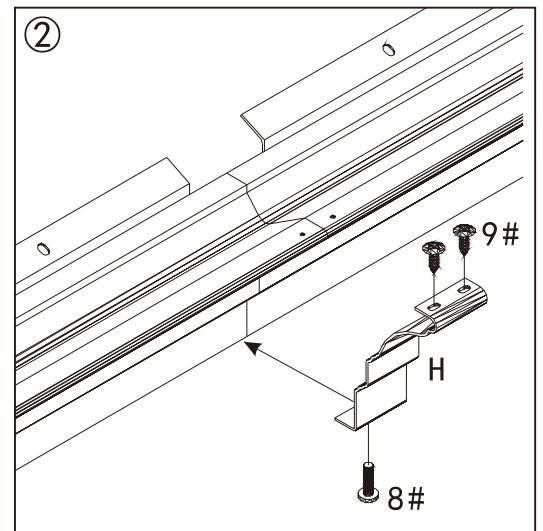


12#  
x1

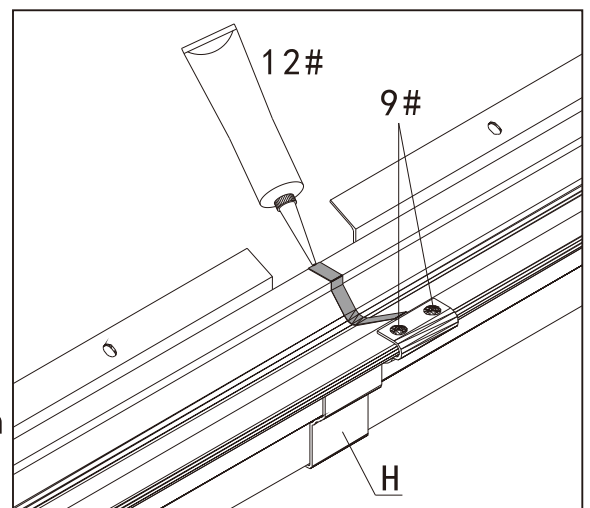
NOTICE: It's a normal situation that there is a small gap between the 2 beams. Apply silicone sealant on the connection as shown to prevent water leakage if it is necessary.



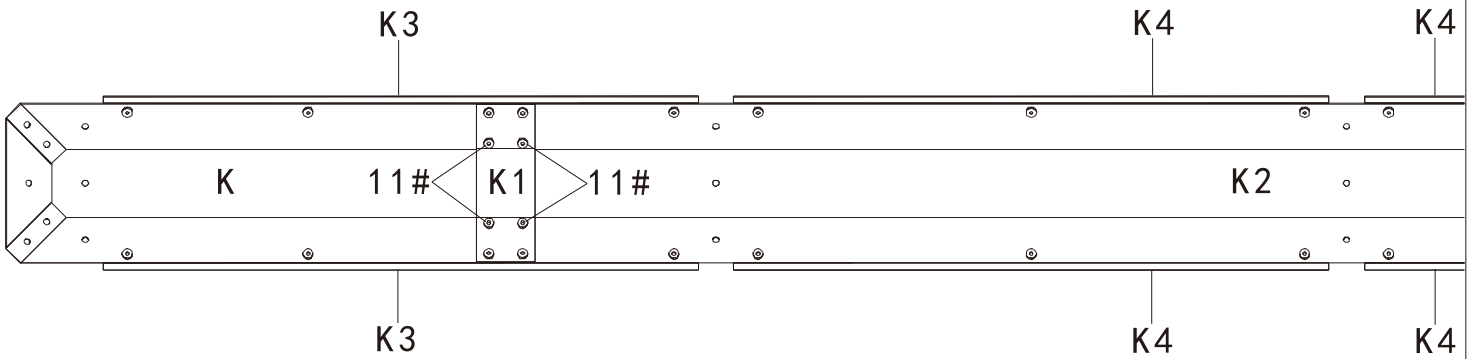
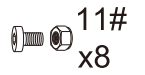
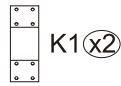
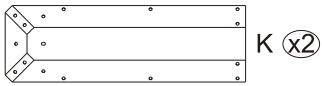
① Cover the corner with Part#G and secure with 4 Screws 9#.



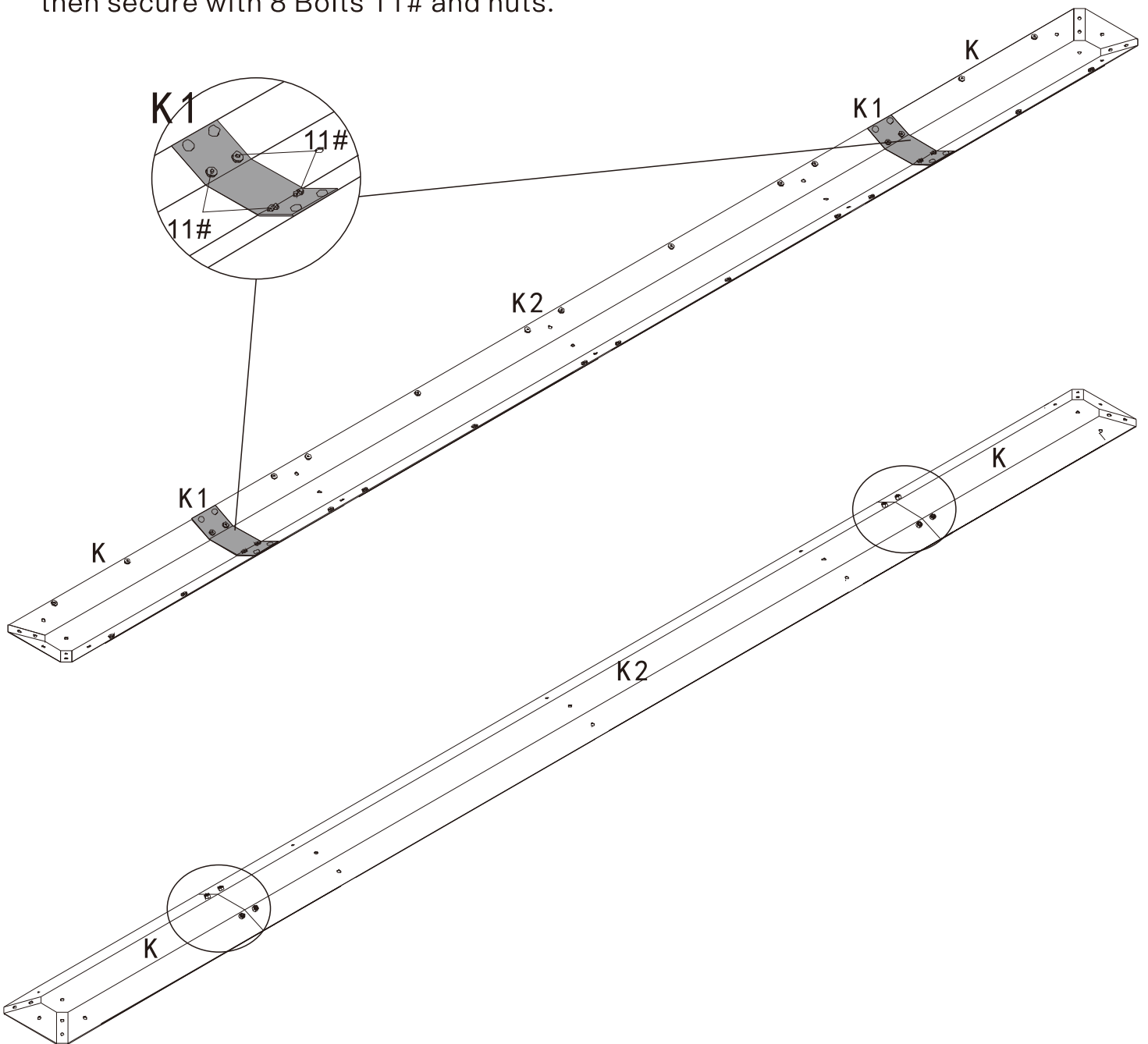
② Cover Part #H over the connection, secure with 2 Bolts #9 and 1 Bolt 8#.







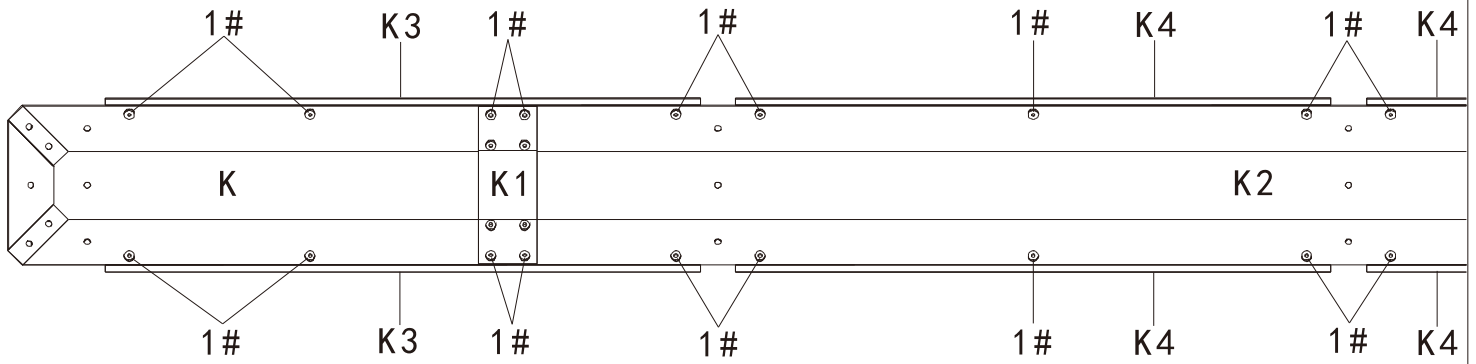
(1) The 2 Parts #K and Part #K2 are connected by 2 Parts #K1, then secure with 8 Bolts 11# and nuts.



K3(x4)

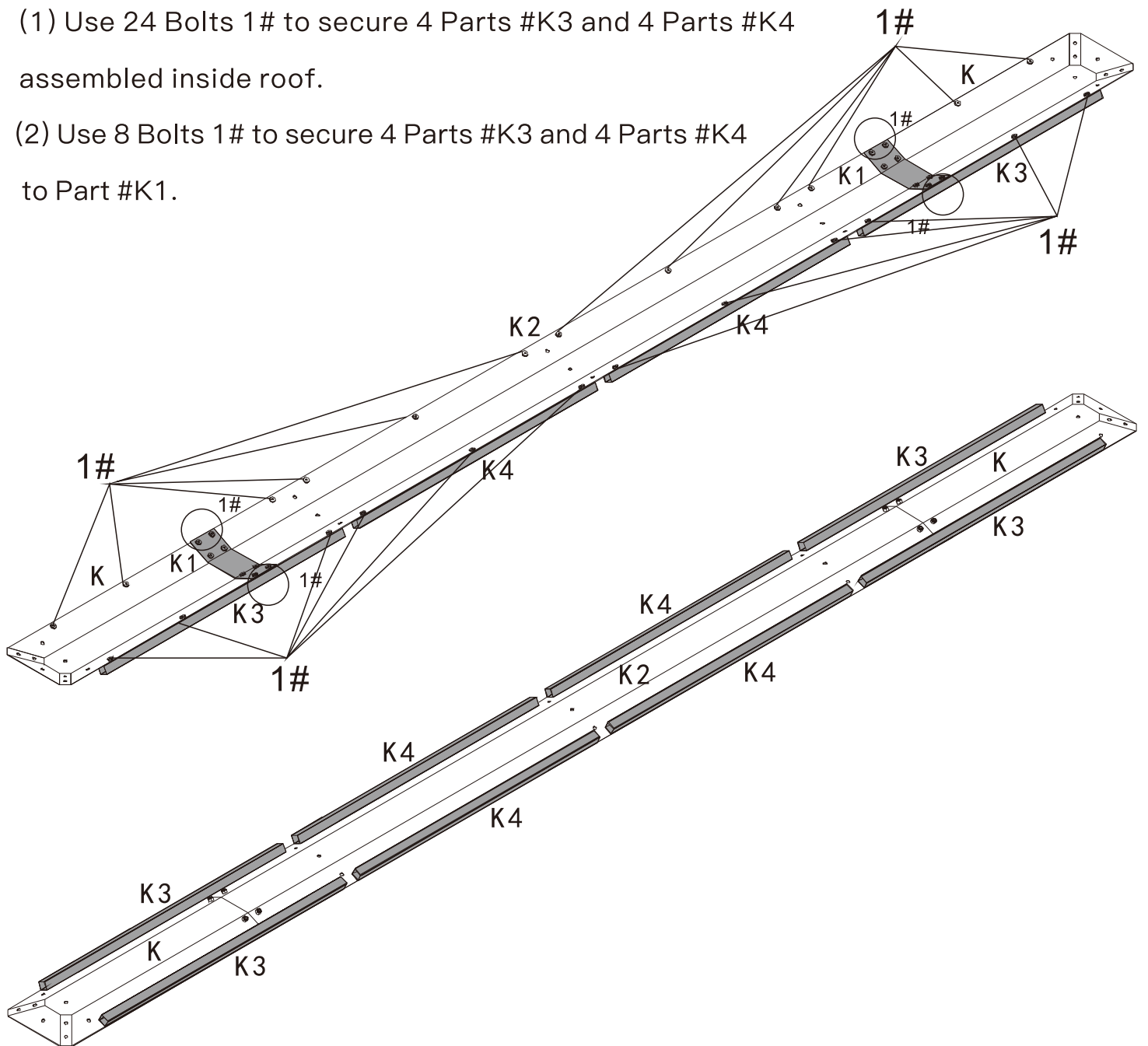
1#  
x32

K4(x4)



(1) Use 24 Bolts 1# to secure 4 Parts #K3 and 4 Parts #K4 assembled inside roof.

(2) Use 8 Bolts 1# to secure 4 Parts #K3 and 4 Parts #K4 to Part #K1.



Mb (x4)



2#  
x8

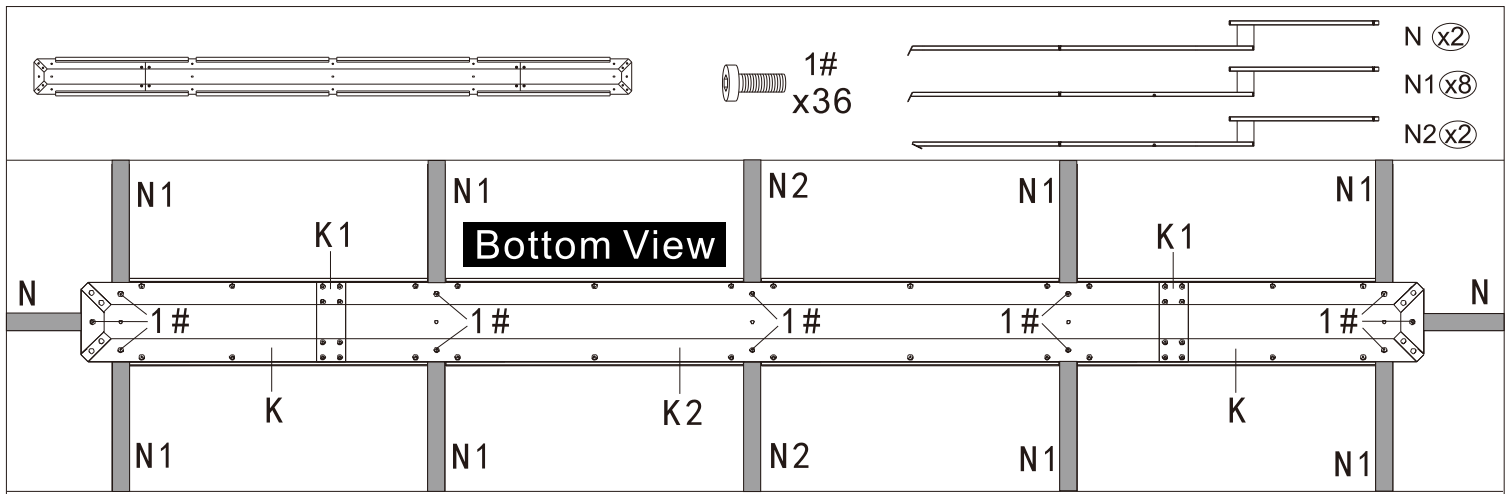
## Corner Roof Bars Assembly:



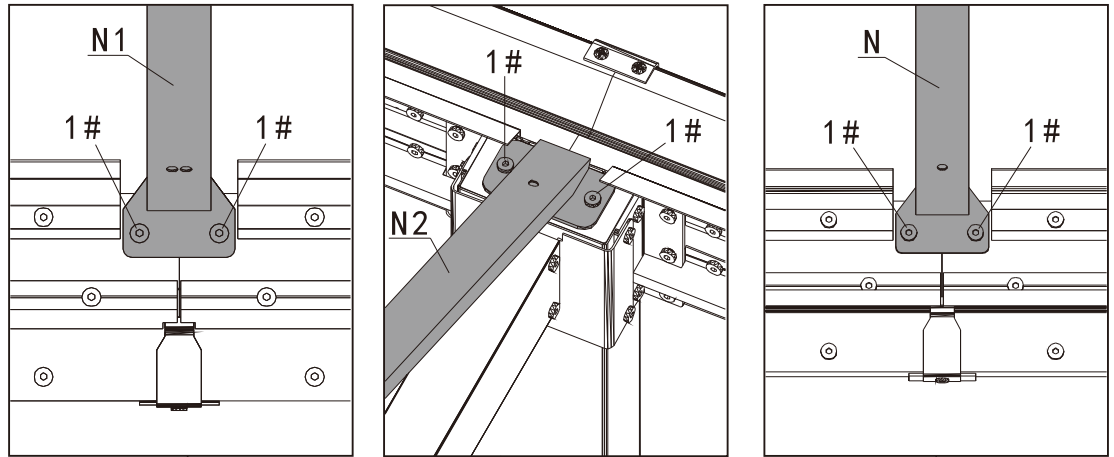
M

(1) Connect Part #Ma and Part #Mb with 2 Bolts 2# .

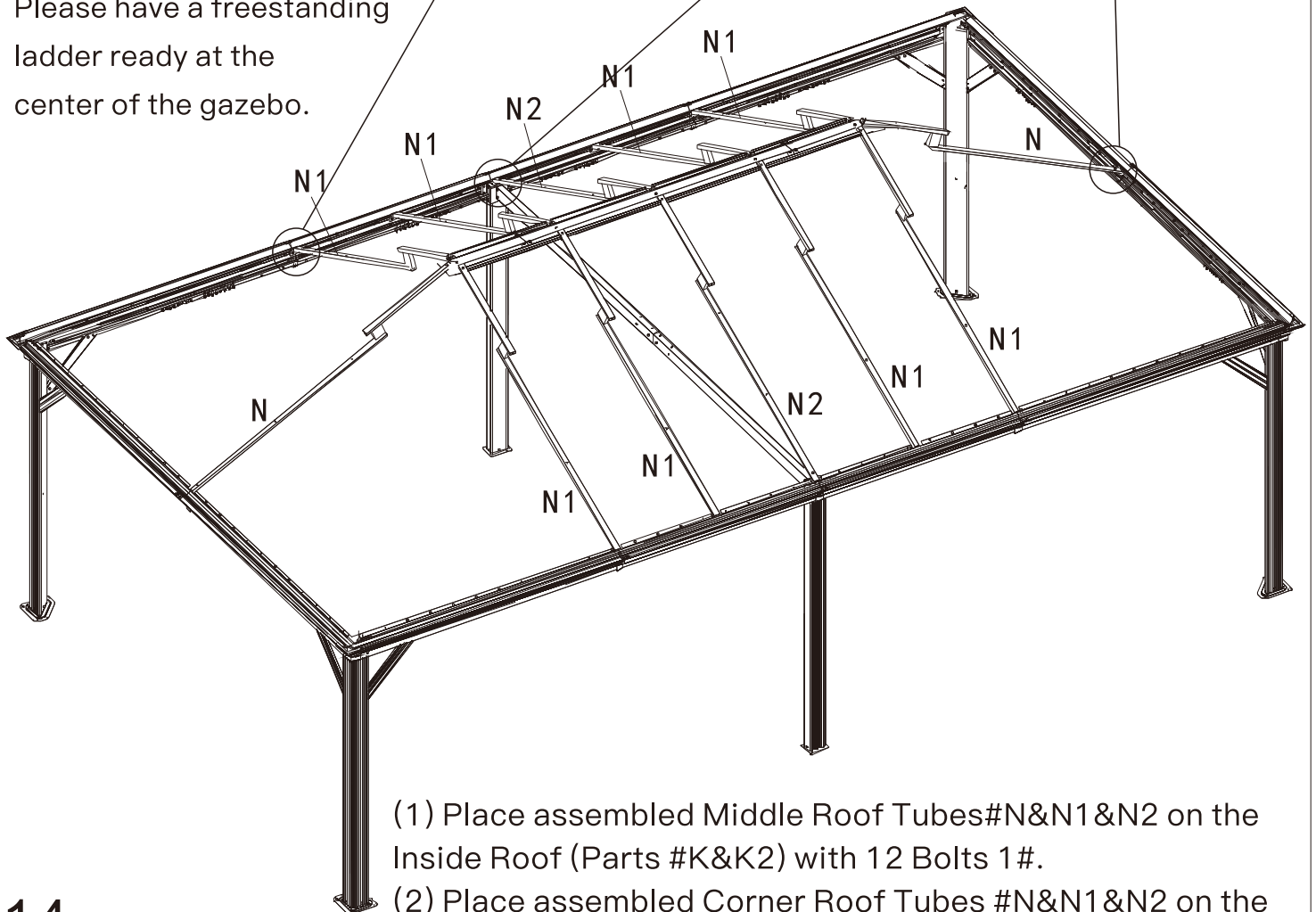
(2) Repeat the above procedure to assemble the other 3 corner roof bars.



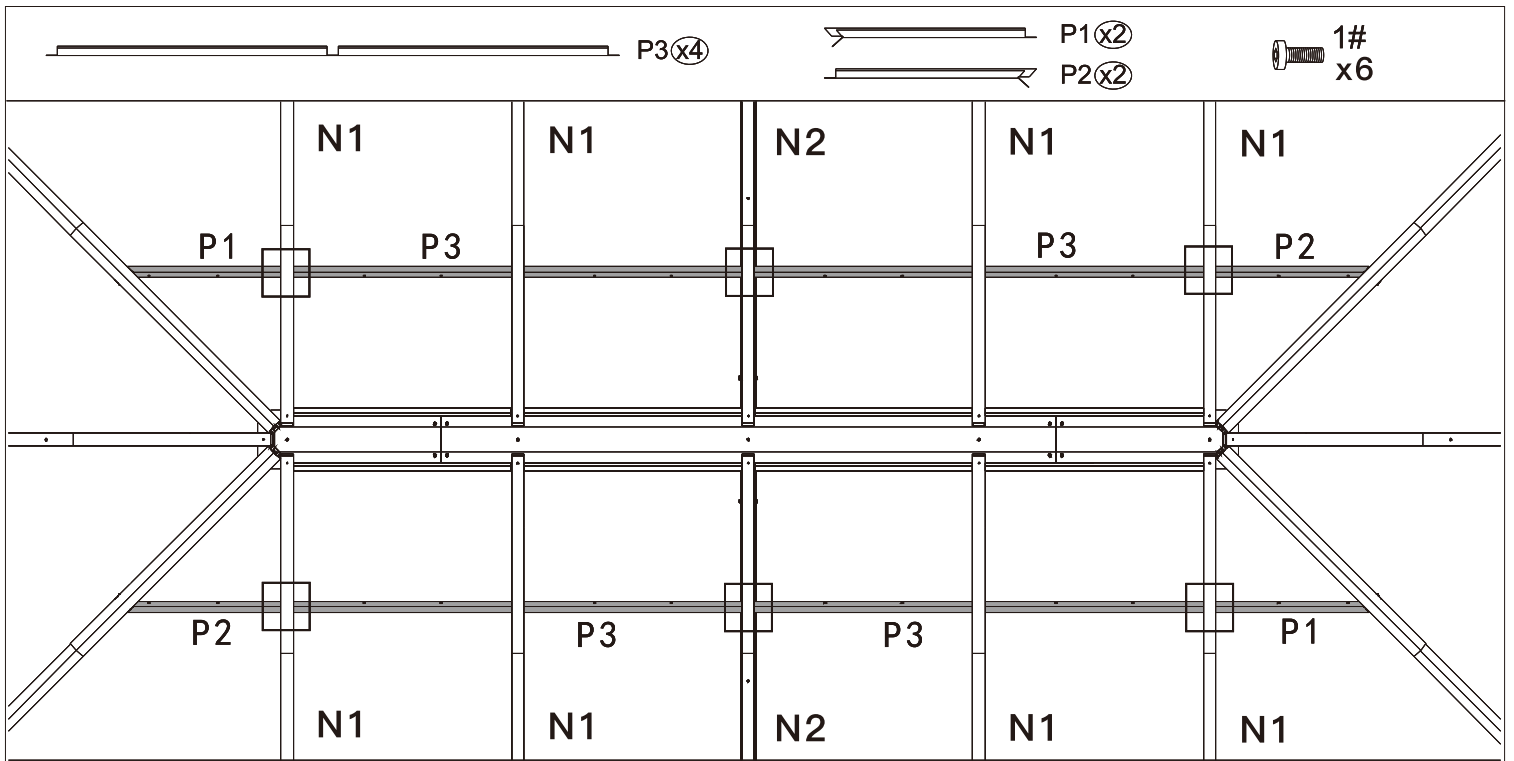
## Middle Roof Tube #N&N1&N2 Assembly:



Please have a freestanding ladder ready at the center of the gazebo.



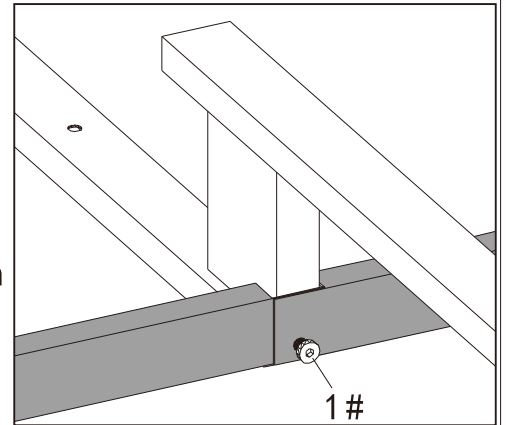
- (1) Place assembled Middle Roof Tubes #N&N1&N2 on the Inside Roof (Parts #K&K2) with 12 Bolts 1#.
- (2) Place assembled Corner Roof Tubes #N&N1&N2 on the assembled beams with 24 Bolts 1#.



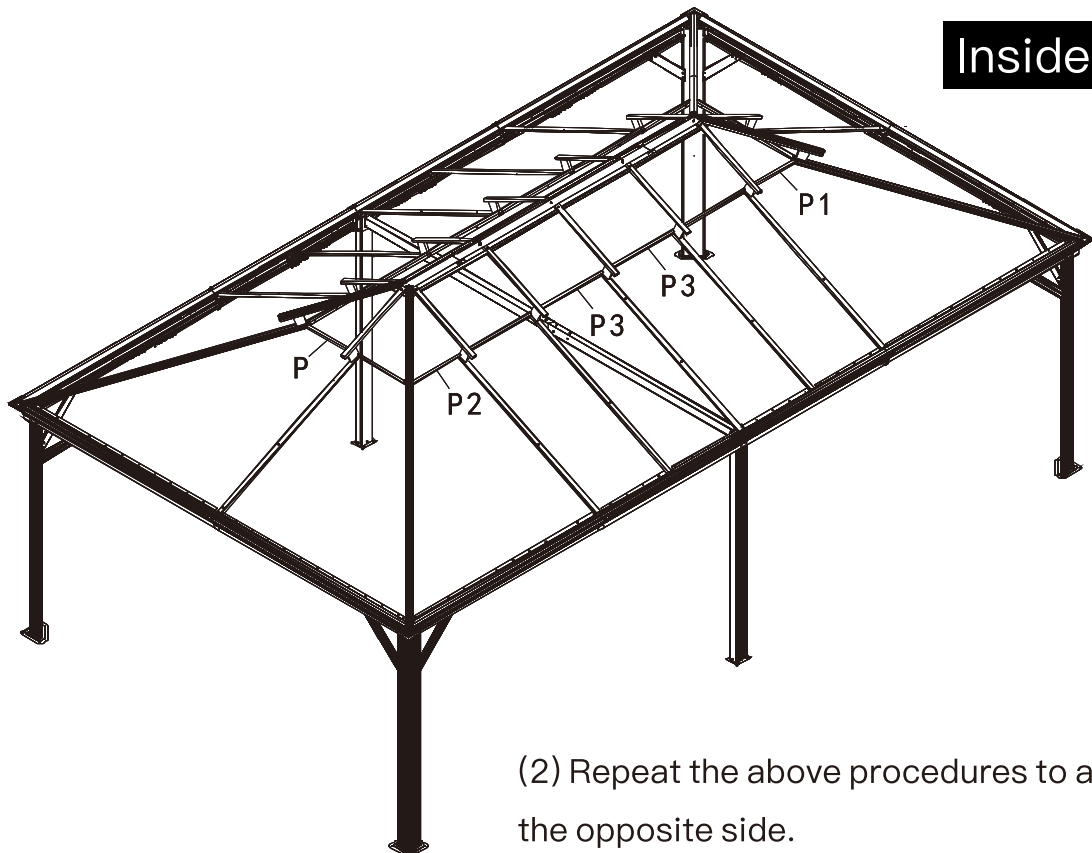
## Top View

(1) Attach the solidifying bars (Part #P1 & Part #P2 & Part #P3) to the roof tubes (Part #N1 & Part #N2) with 3 Bolts 1#.

**Attention:** You can temporarily reinforce this position with Bolts 1#, and tighten it when the next installation is made.



## Inside View

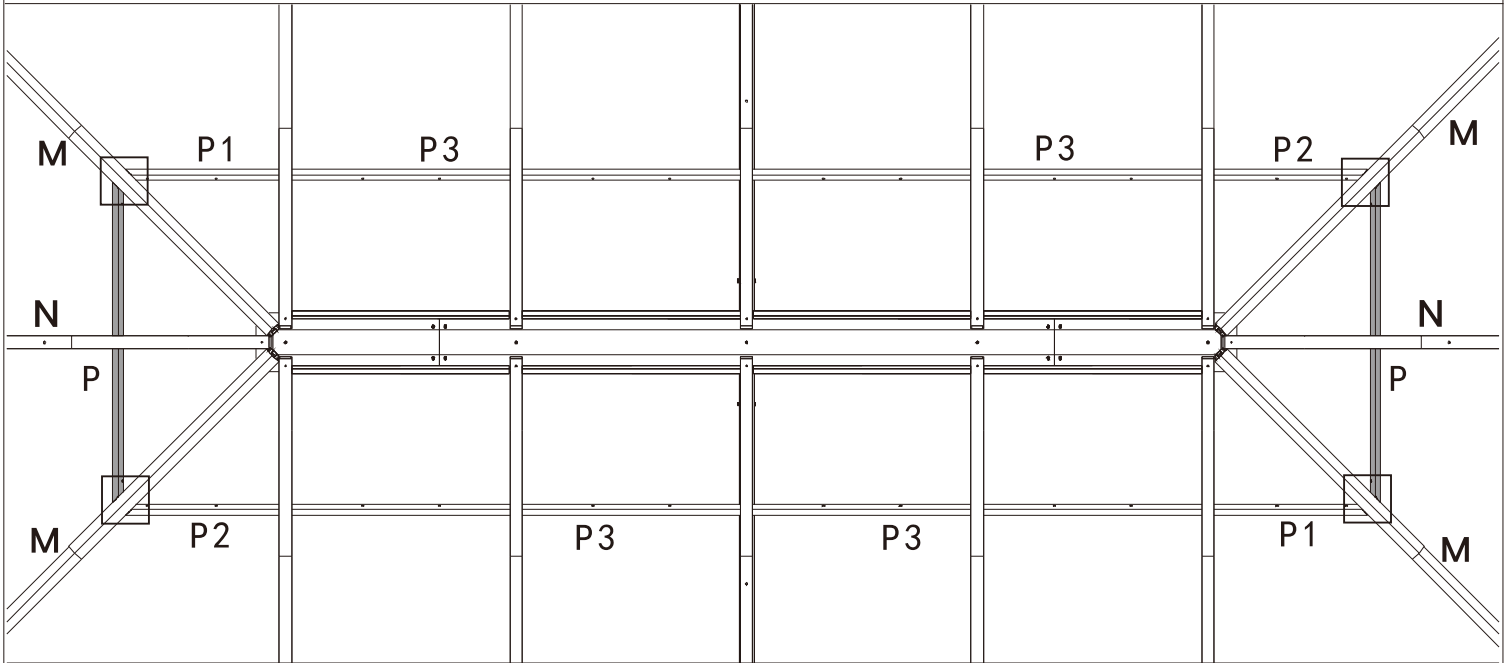


(2) Repeat the above procedures to assemble the opposite side.

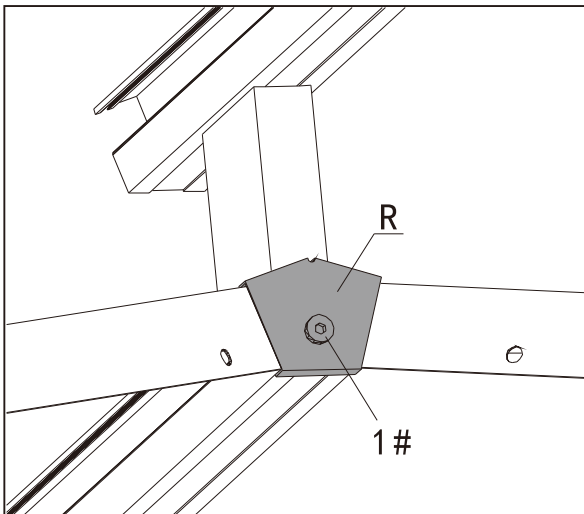
P (x2)

R (x4)

1#  
x4

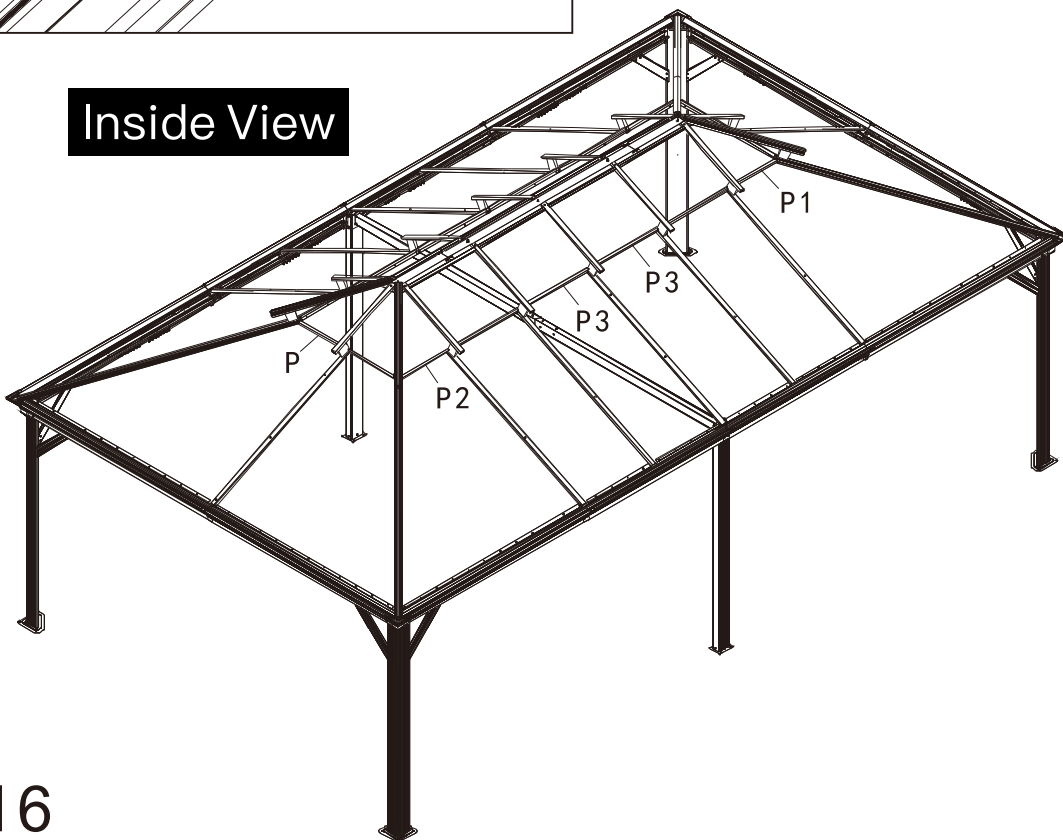


### Top View

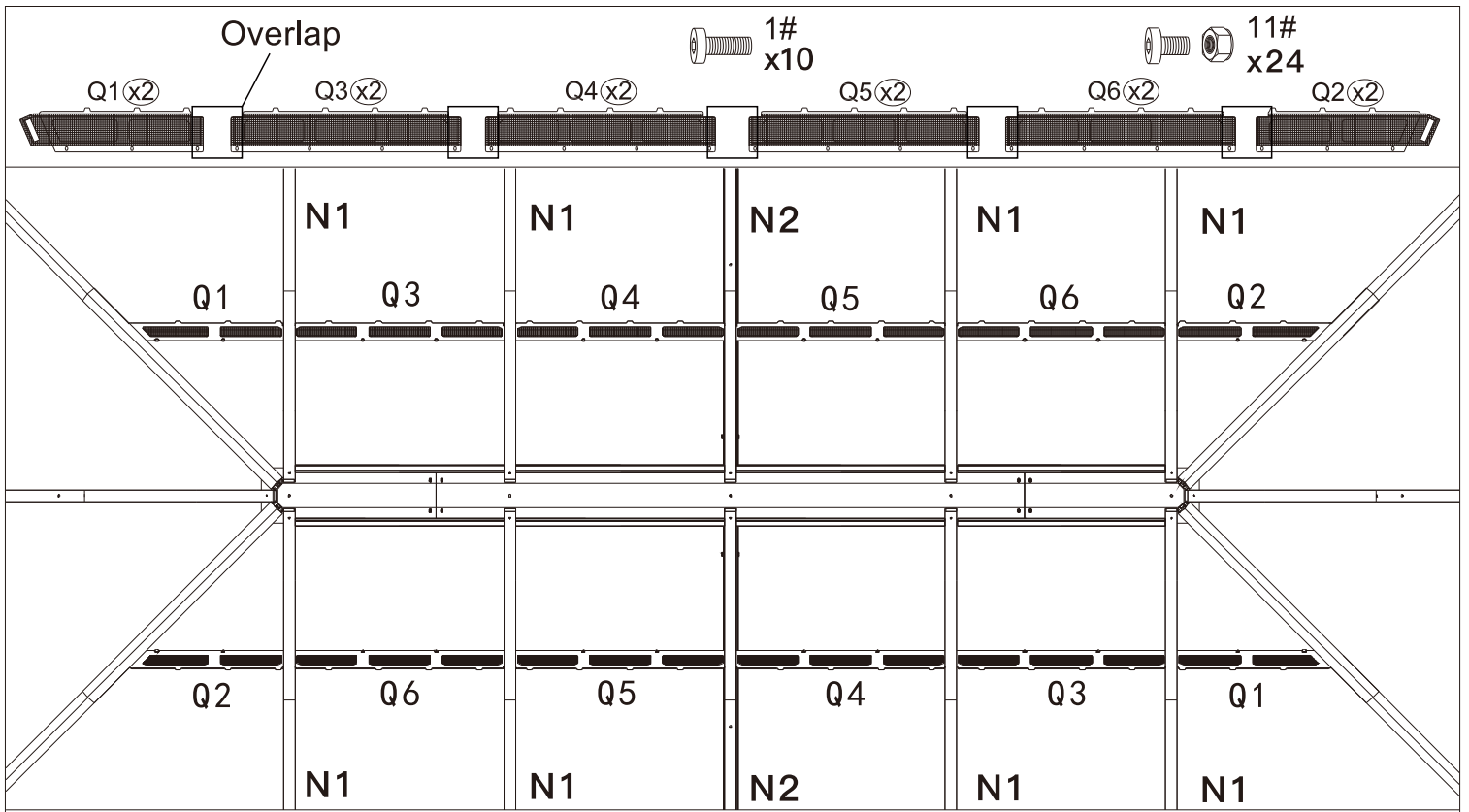


- (1) Place the solidifying bars (Part #P & Part #P1/P2) on the corner roof bar (Part #M); Put on Part #R and secure with 1 Bolt 1#.
- (2) Repeat the above procedures to assemble the other 3 corners.

### Inside View

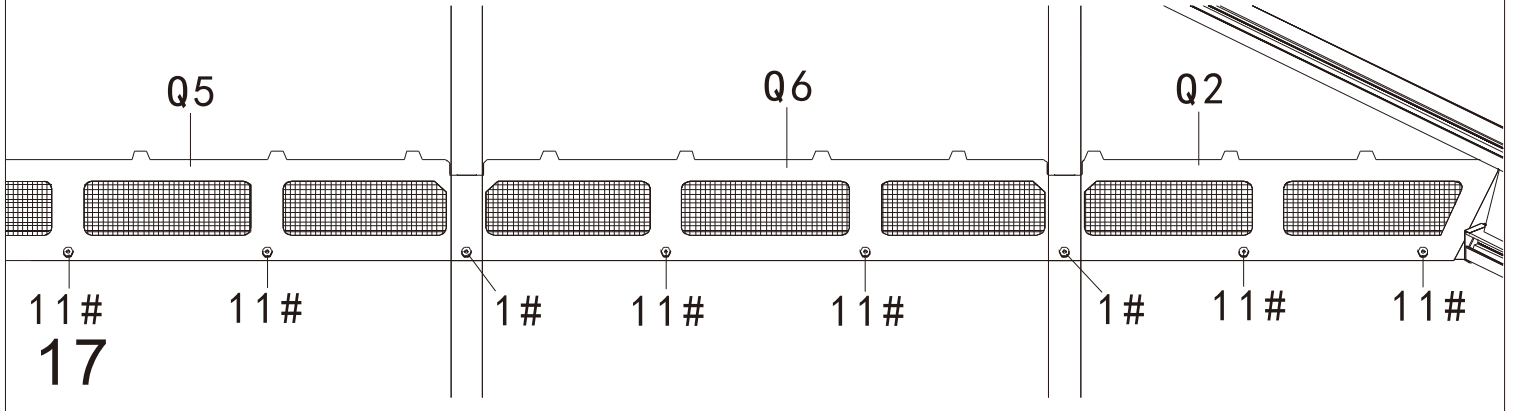
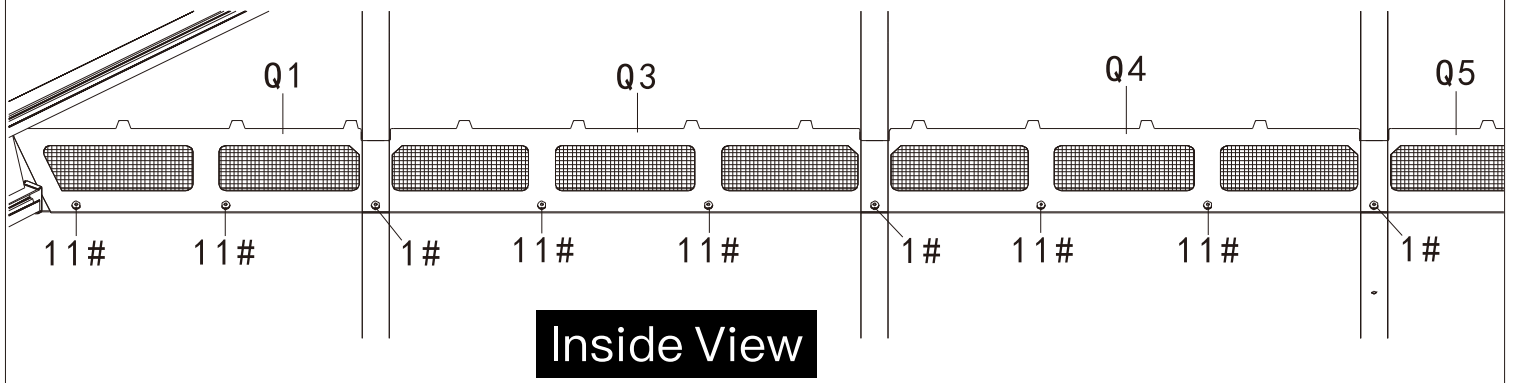


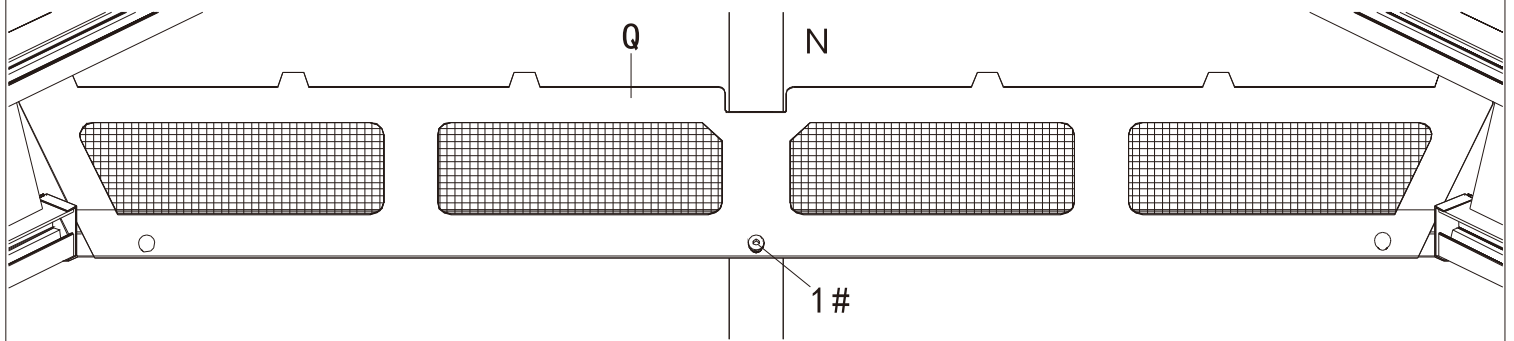
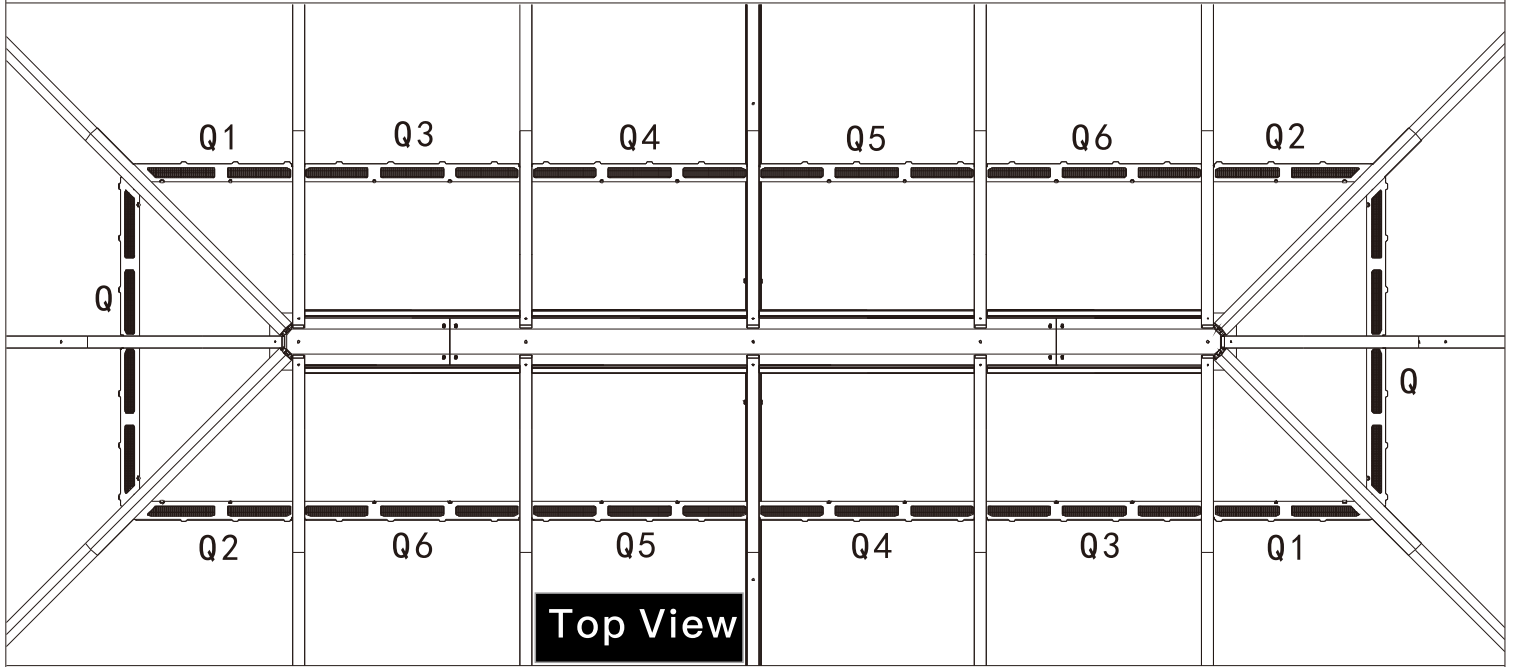
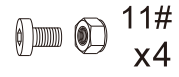
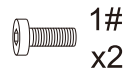




## Top View

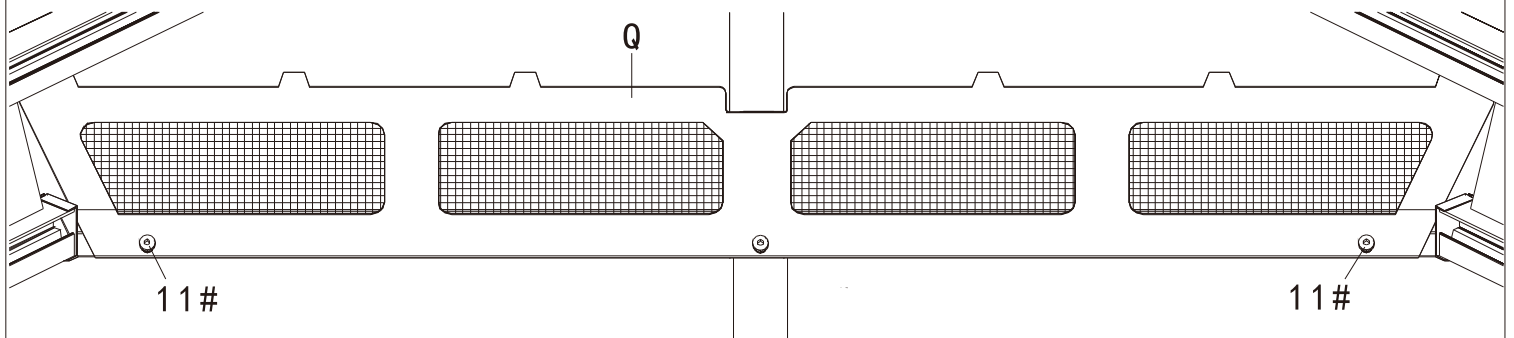
- (1) Connect the solidifying bars (Part #P1 & Part #P2 & Part #P3) and net frames (Part #Q1 & #Q2 & #Q3 & #Q4 & #Q5 & #Q6) with 12 Bolts 11# and nuts.
- (2) Attach the net frames to the roof bars (Part #N1 & Part #N2) with 5 Bolts 1#.
- (3) Repeat the above procedures to assemble the opposite side.





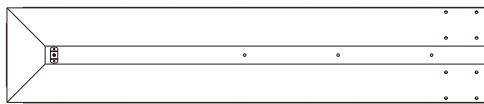
(1) Attach the net frame Part #Q to the roof bar Part #N with 1 Bolt 1# and nuts.

**Inside View**

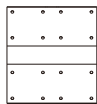


(2) Connect the solidifying bar Part #P and net frame Part #Q with 2 Bolts 11#.

(3) Repeat the above procedures to assemble the opposite side.



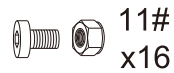
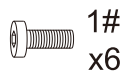
L(x2)



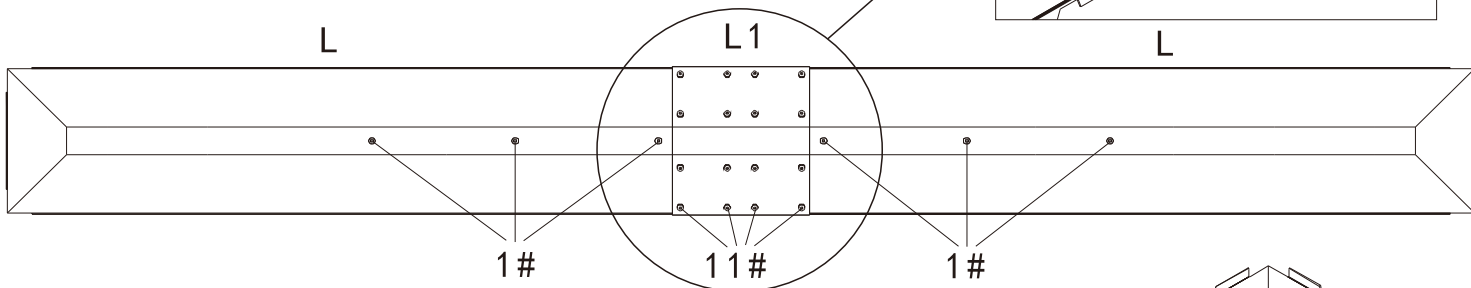
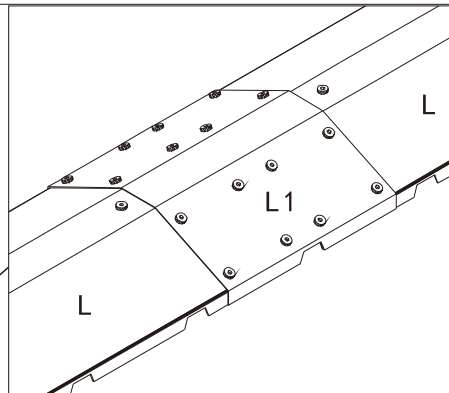
L1(x1)



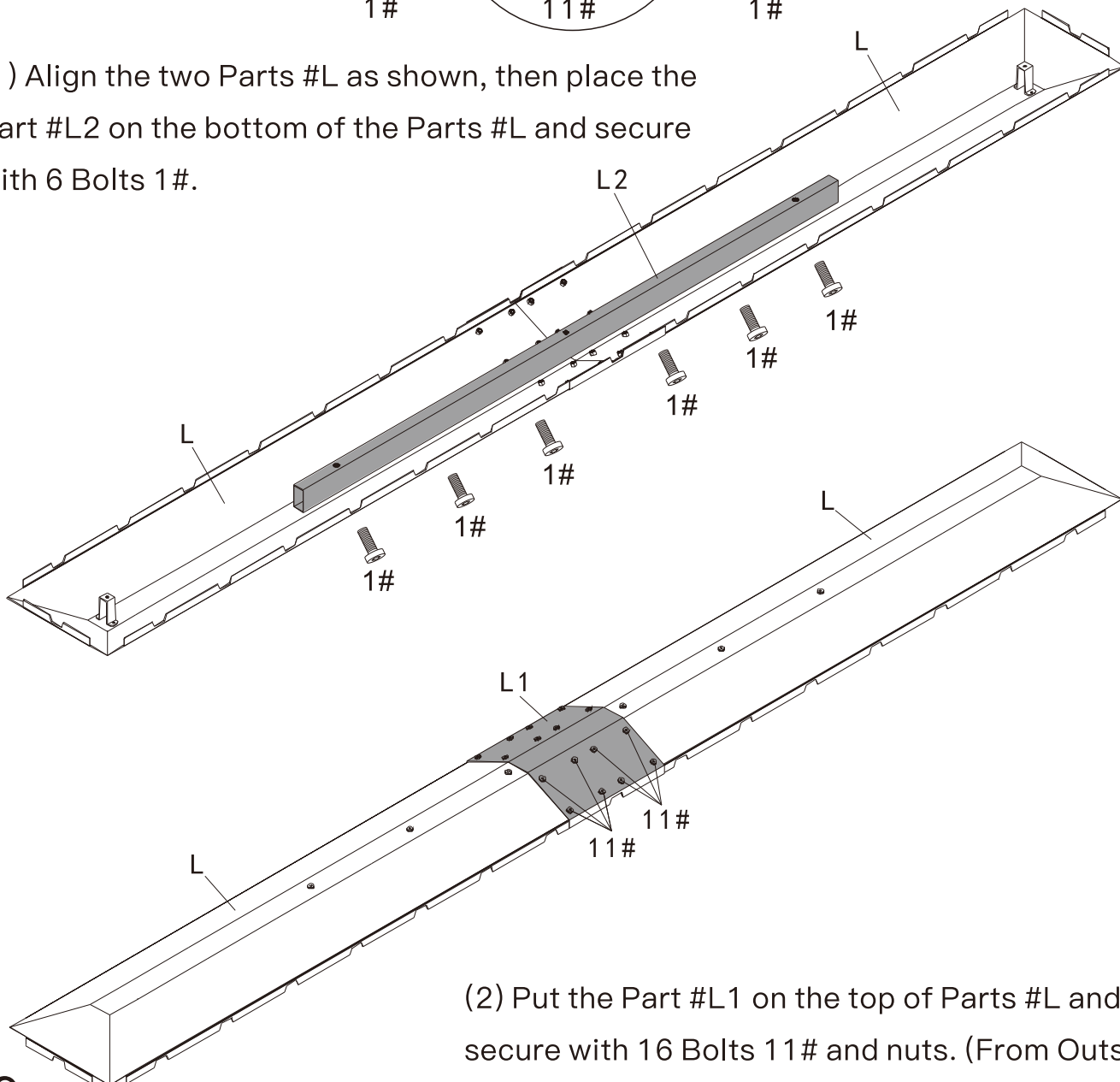
L2(x1)



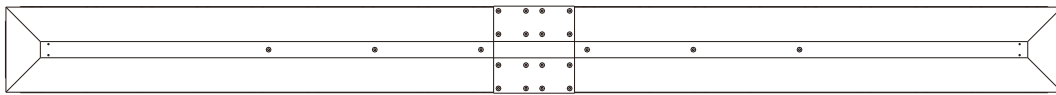
## Outside Roof Cover Assembly:



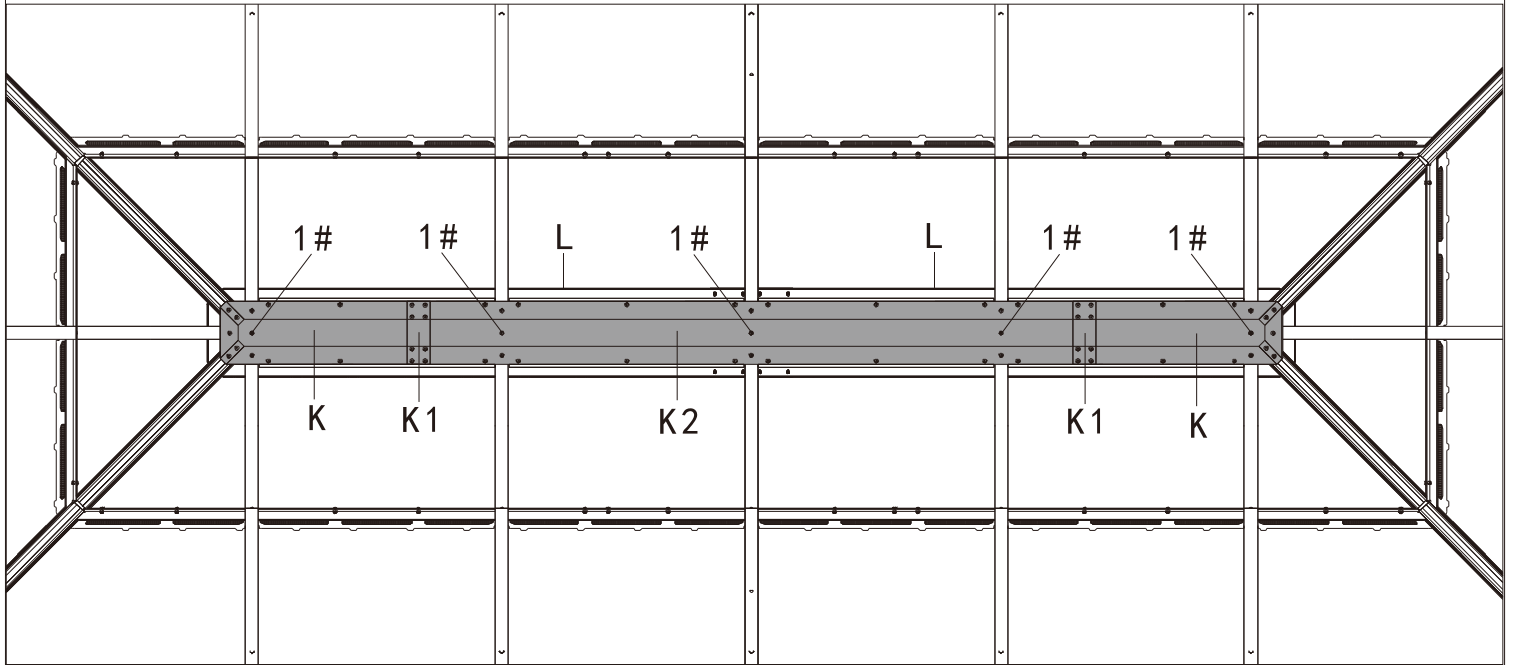
(1) Align the two Parts #L as shown, then place the Part #L2 on the bottom of the Parts #L and secure with 6 Bolts 1#.



(2) Put the Part #L1 on the top of Parts #L and secure with 16 Bolts 11# and nuts. (From Outside)

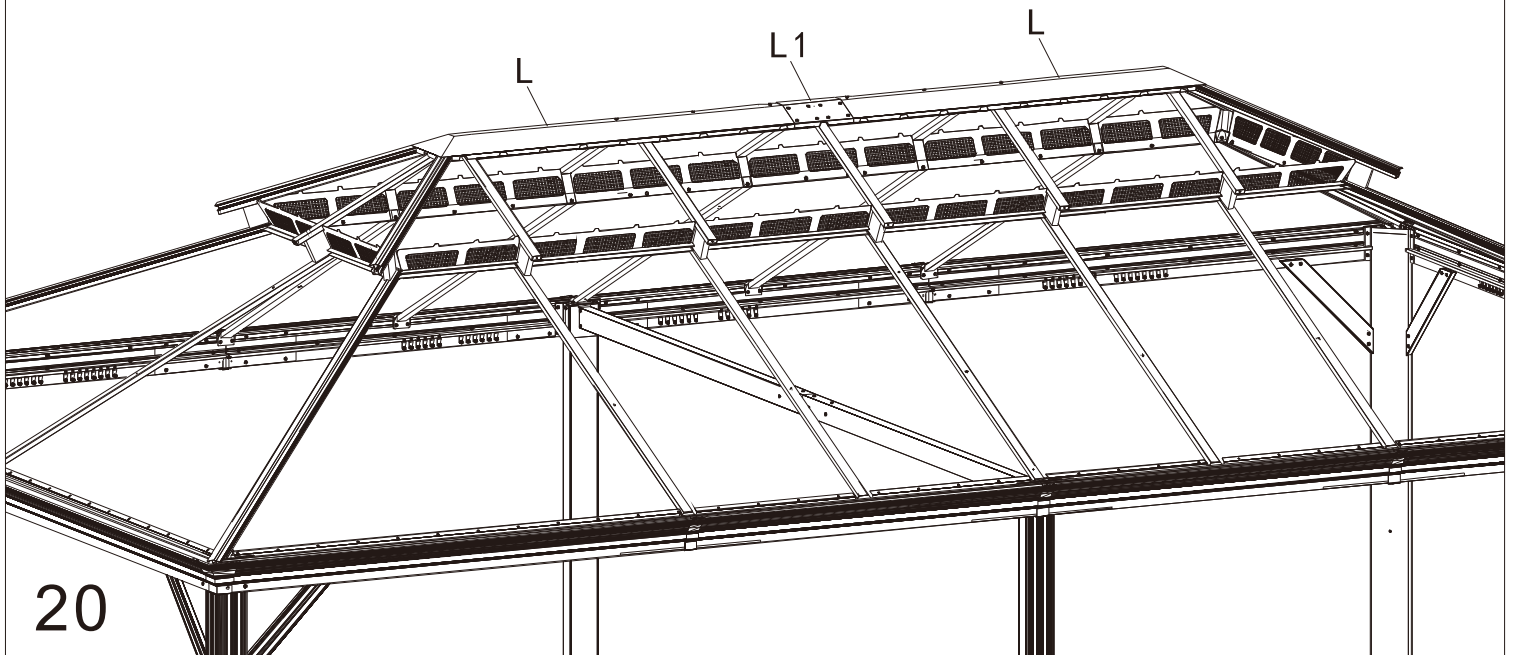


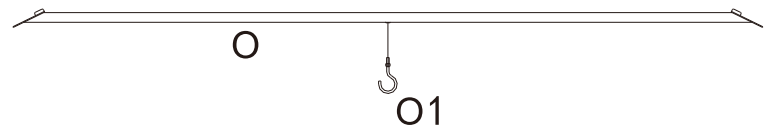
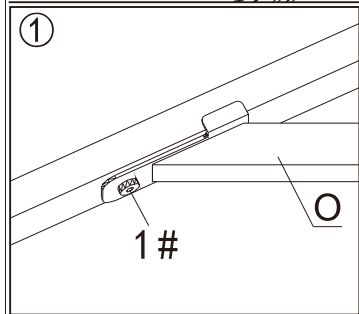
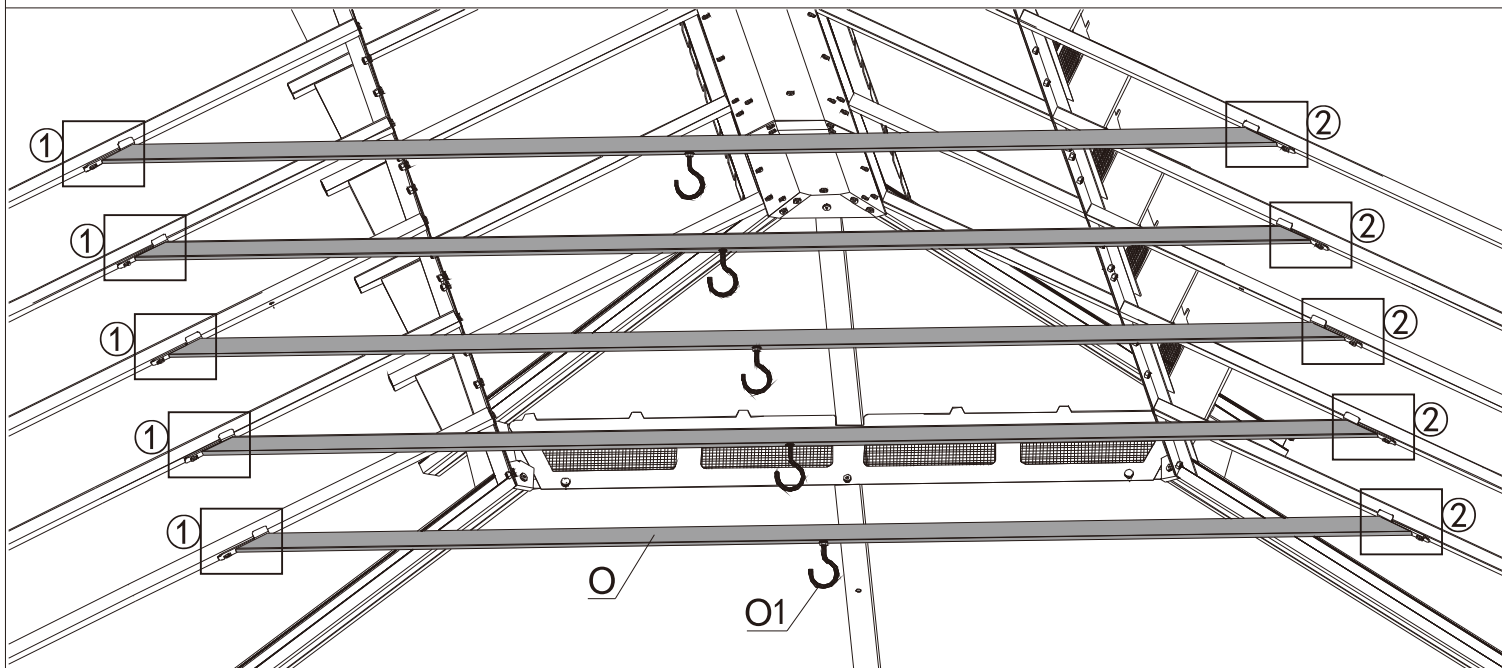
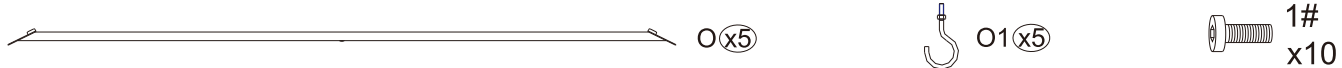
1#  
x5



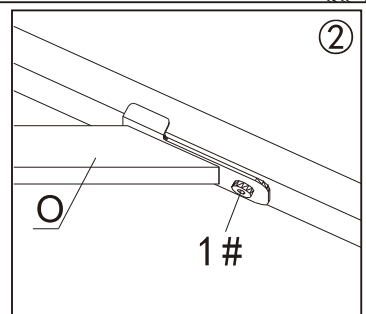
## Bottom View

Place the outside roof cover on the inside roof cover, align the holes and secure with 5 Bolts 1#(from bottom to top).



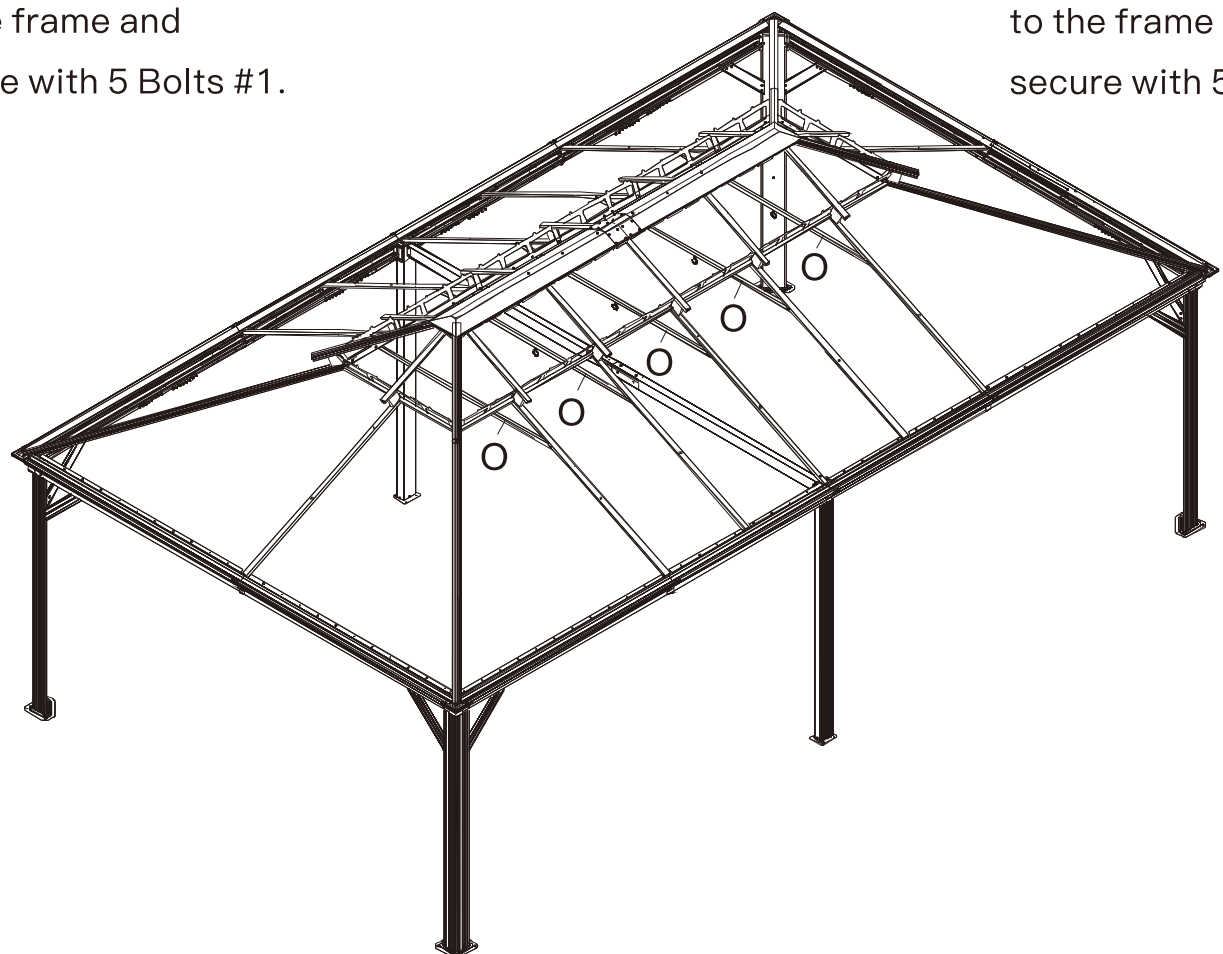


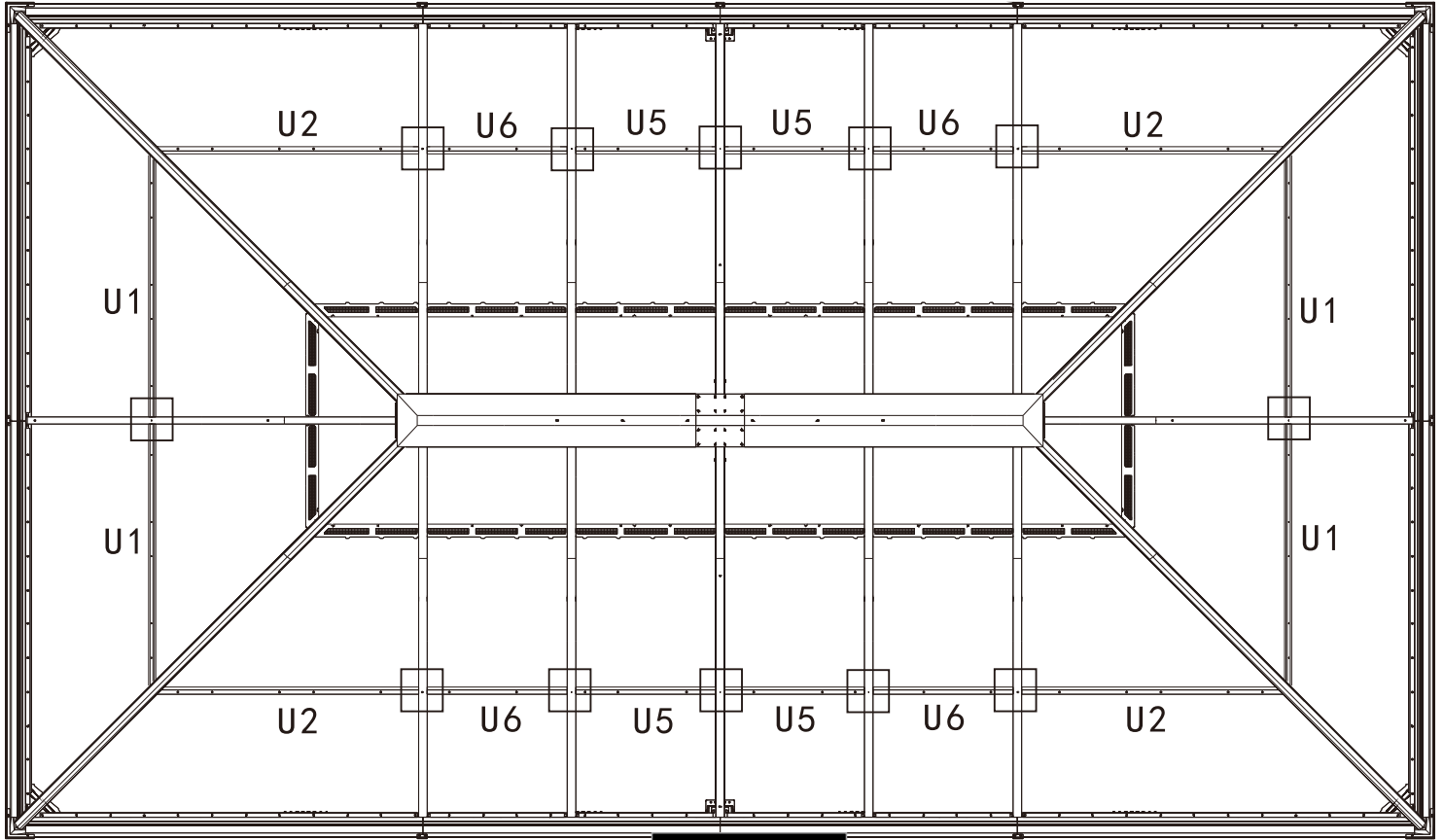
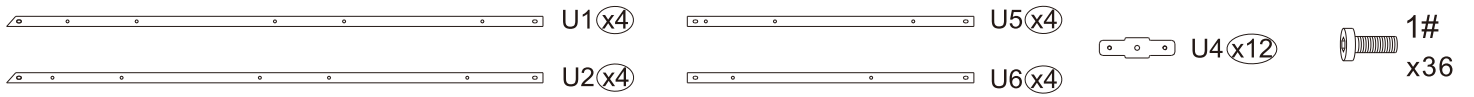
Screw the Part #O1 into the Part #O.



① Attach 5 Parts #O to the frame and secure with 5 Bolts #1.

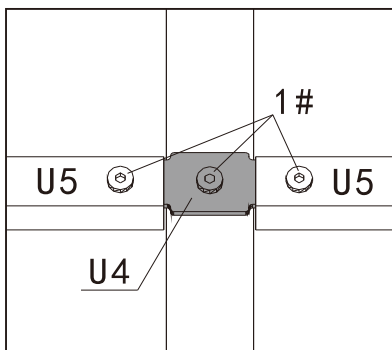
② Attach 5 Parts #O to the frame and secure with 5 Bolts #1.





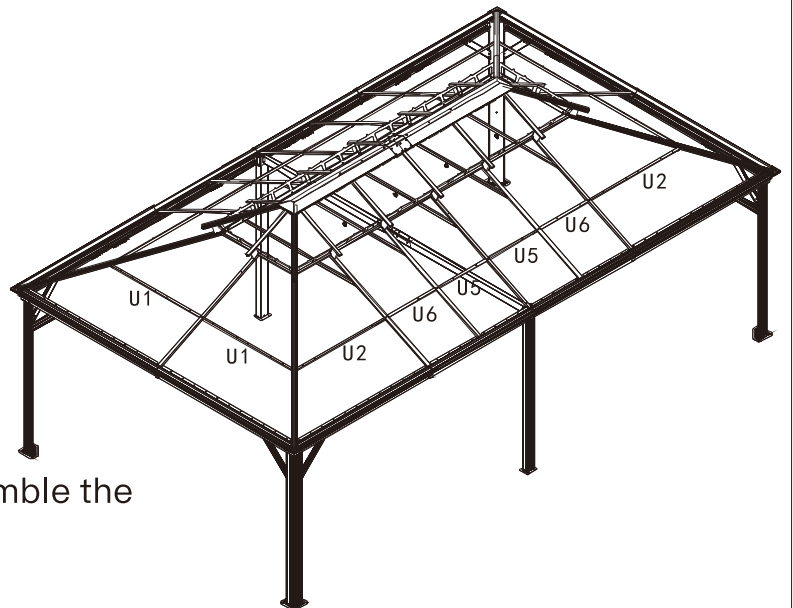
**Top View**

Notice: If Part #U5 doesn't fix well, please note if the two ends of the solidifying bars have been installed upside down.

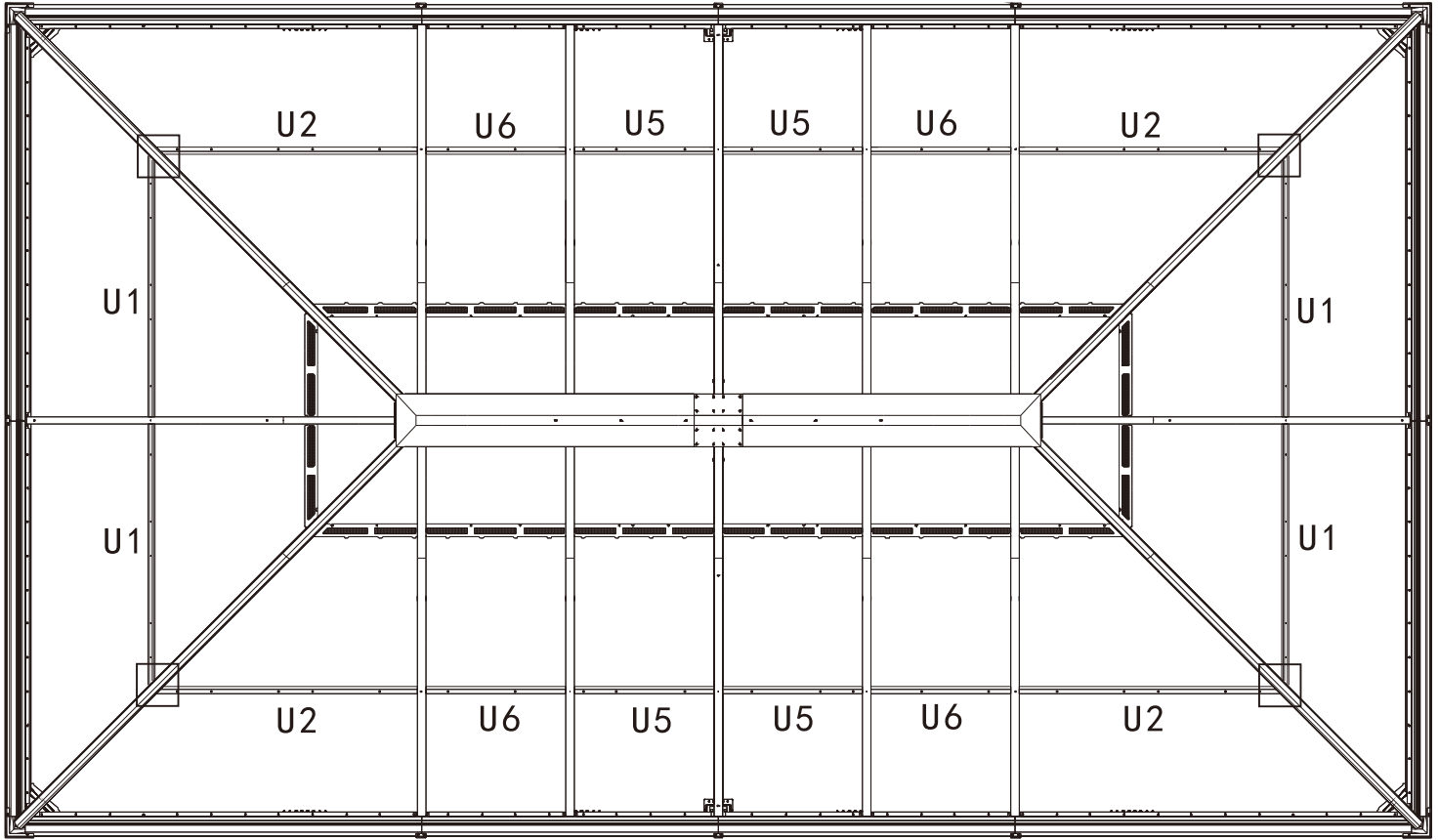
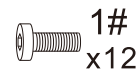


**Inside View**

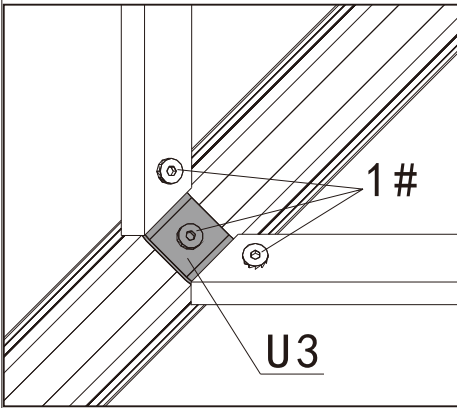
(1) Insert the Part #U4 into the 2 Parts #U5 and secure with 2 Bolts 1#. Then attach the assembled Part #U5 to the roof tube with 1 Bolt 1#.



(2) Repeat the above procedures to assemble the other 11 parts.

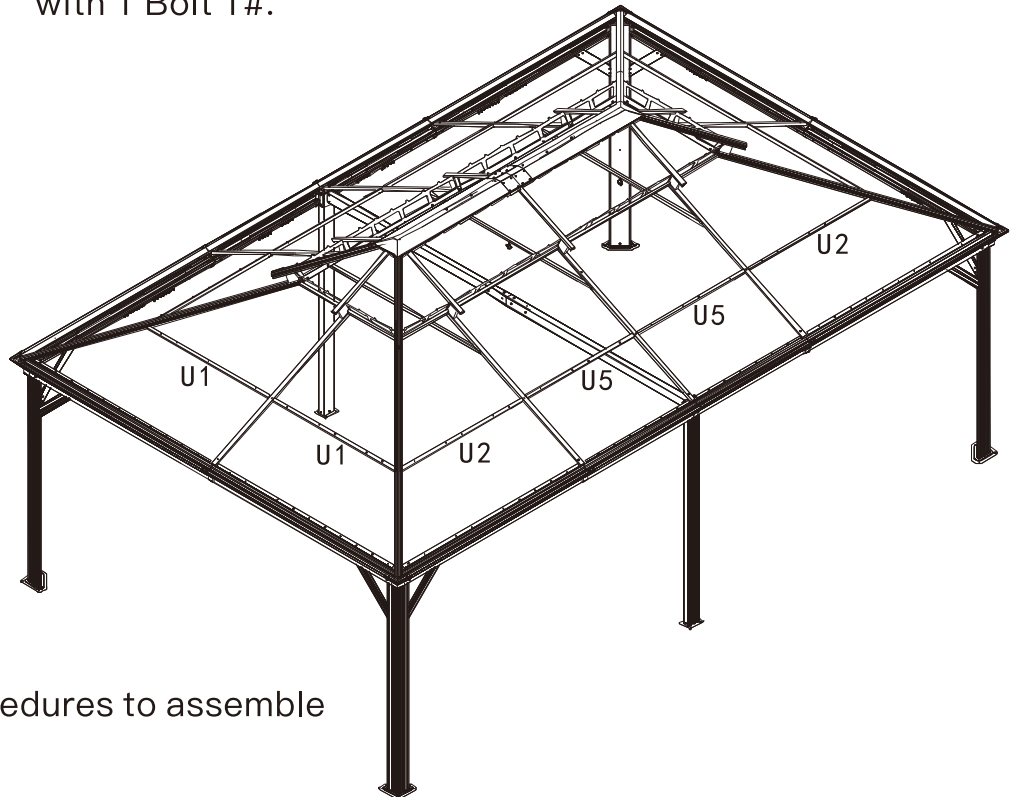


**Top View**



**Inside View**

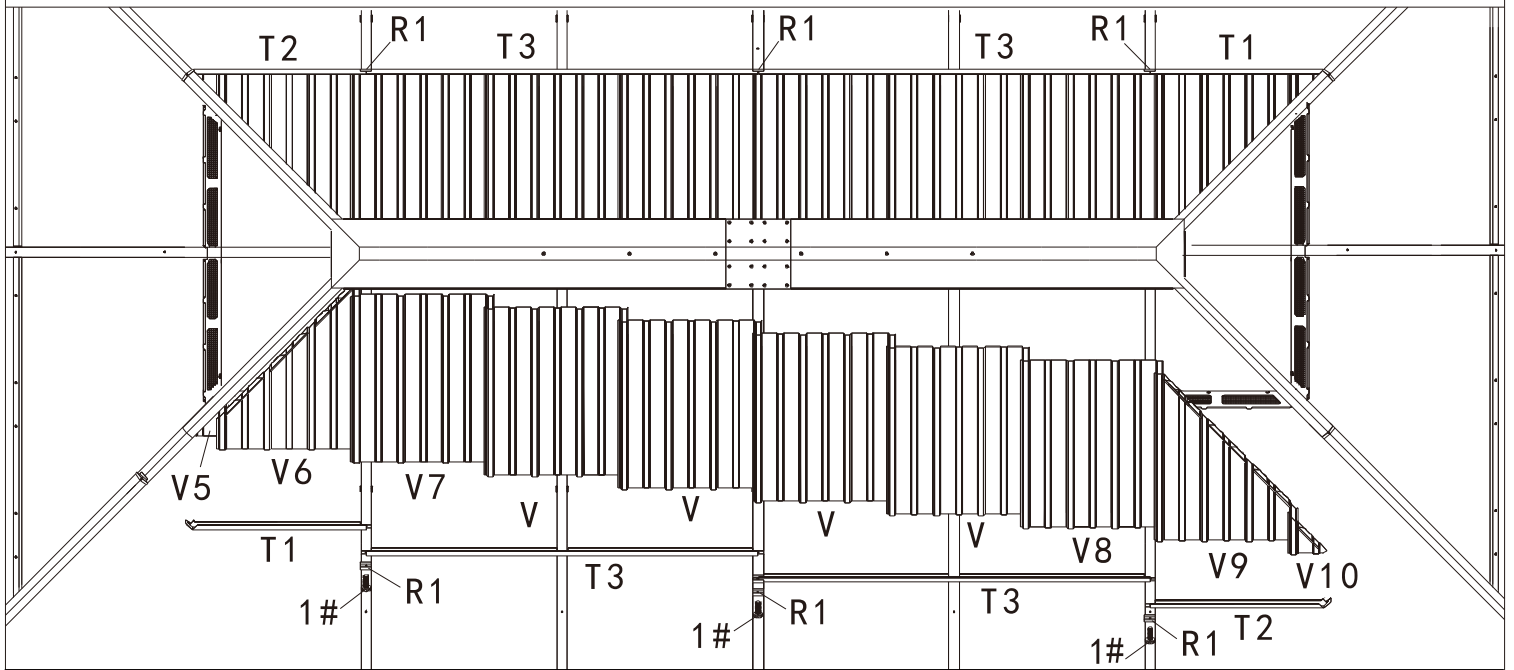
(1) Insert the Part #U3 into the Part #U1 and Part #U2 ,  
secure with 2 Bolts 1# . Then attach to the corner roof tube  
with 1 Bolt 1# .



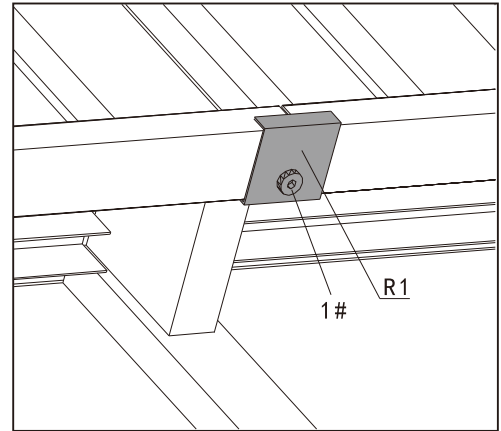
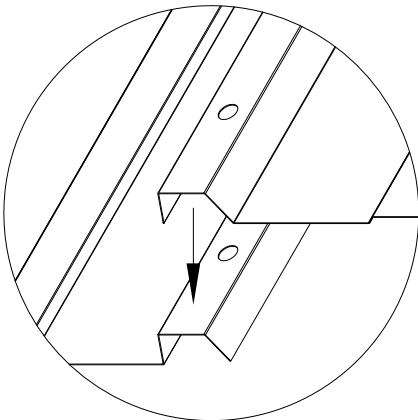
(2) Repeat the above procedures to assemble  
the other 3 corners.







If you can't install the roof panels, push the outside roof cover up and try to insert them again.

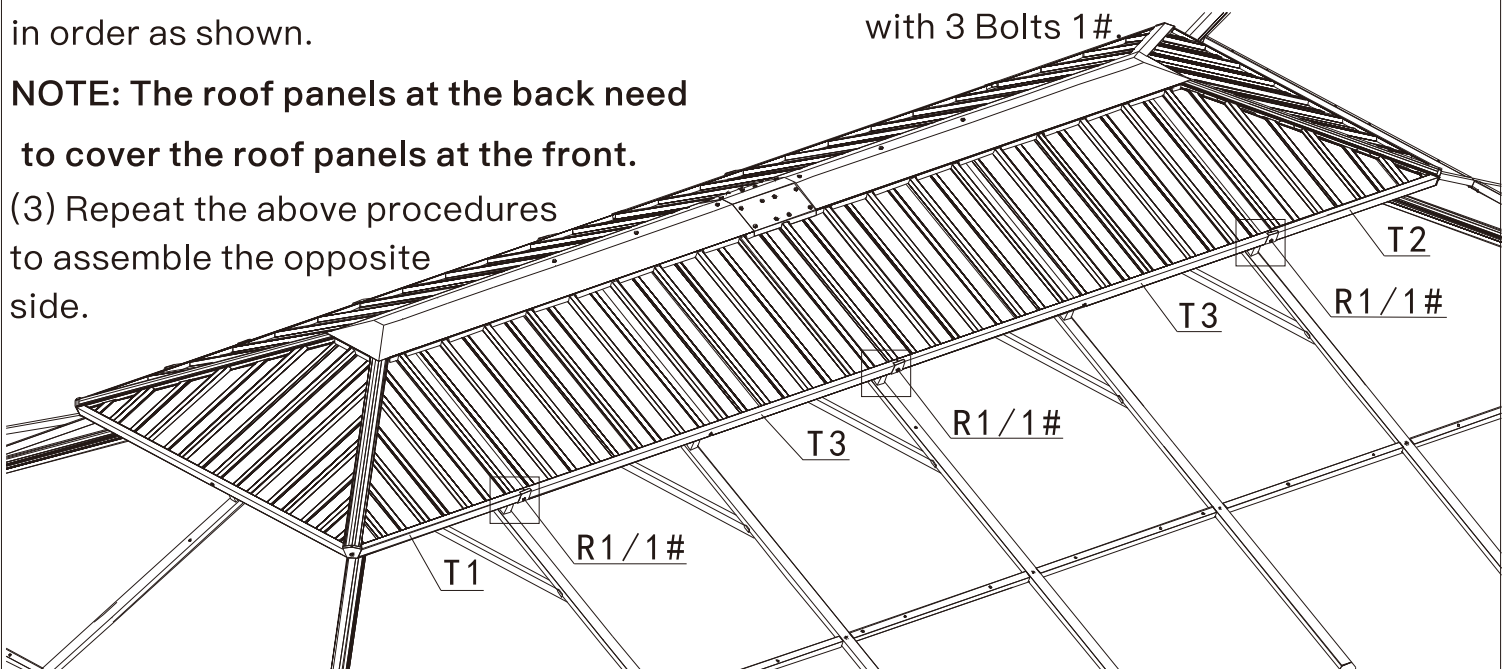


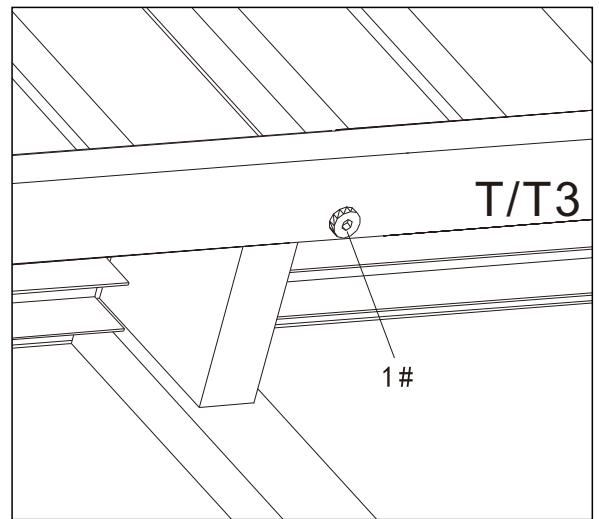
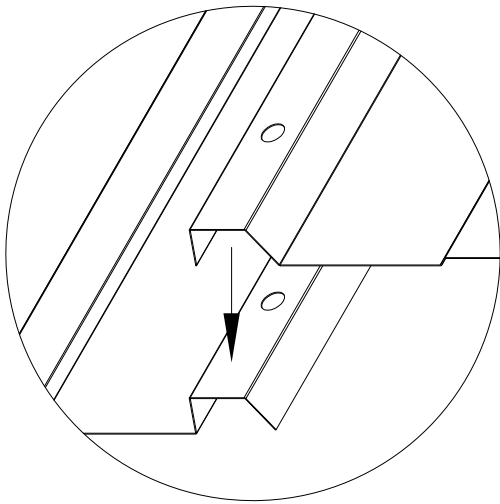
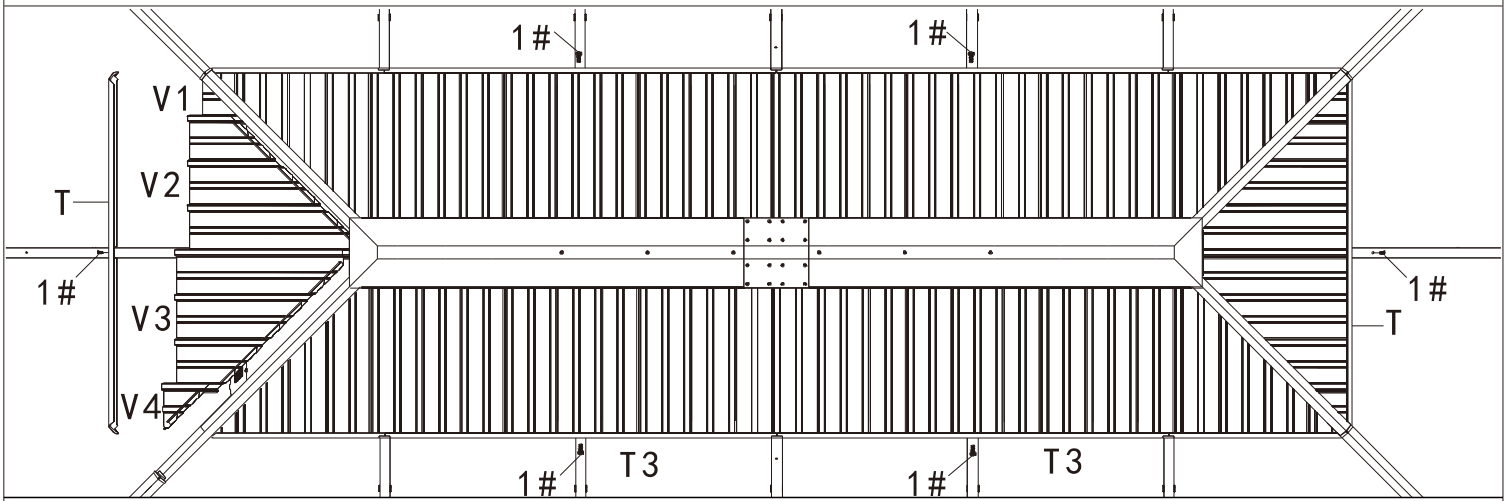
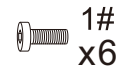
(1) Insert the roof panels into the top frame in order as shown.

(2) Attach Part #T1 & #T2 & #T3 to the top roof with Part #R1 and secure with 3 Bolts 1#.

**NOTE:** The roof panels at the back need to cover the roof panels at the front.

(3) Repeat the above procedures to assemble the opposite side.



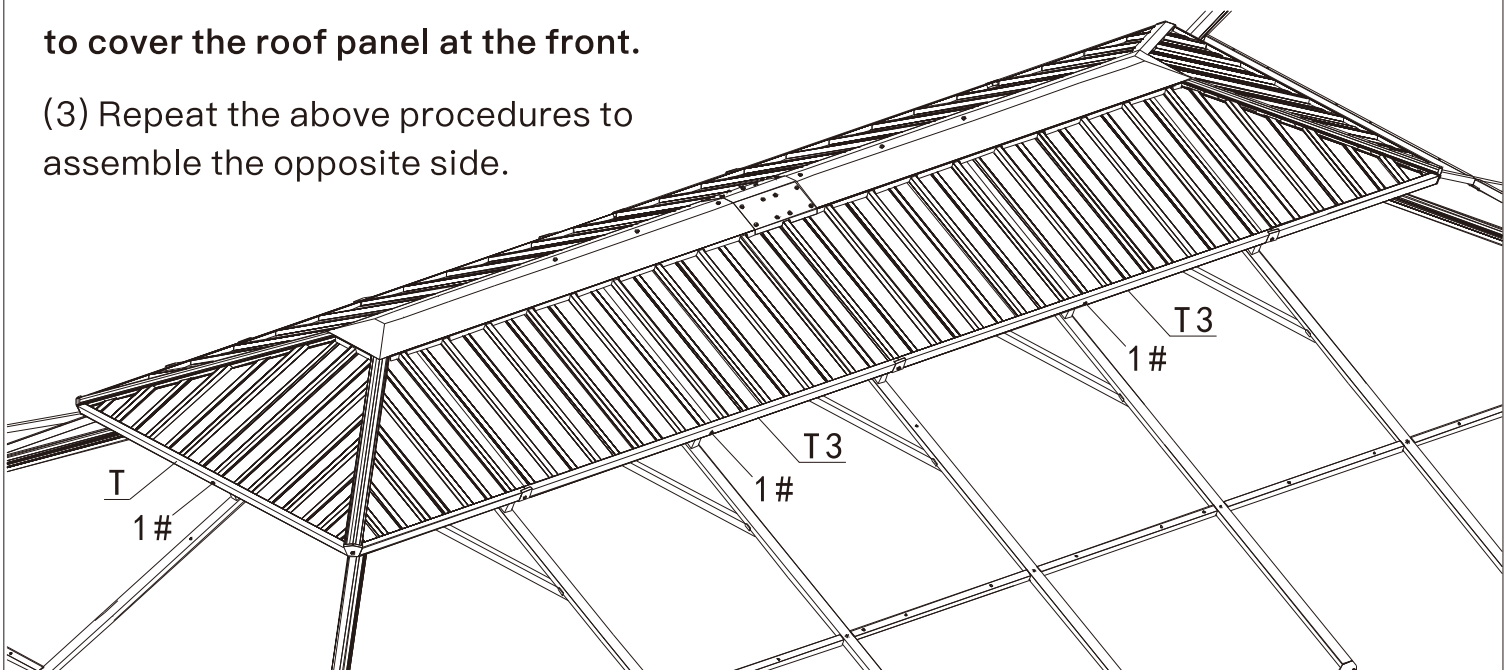


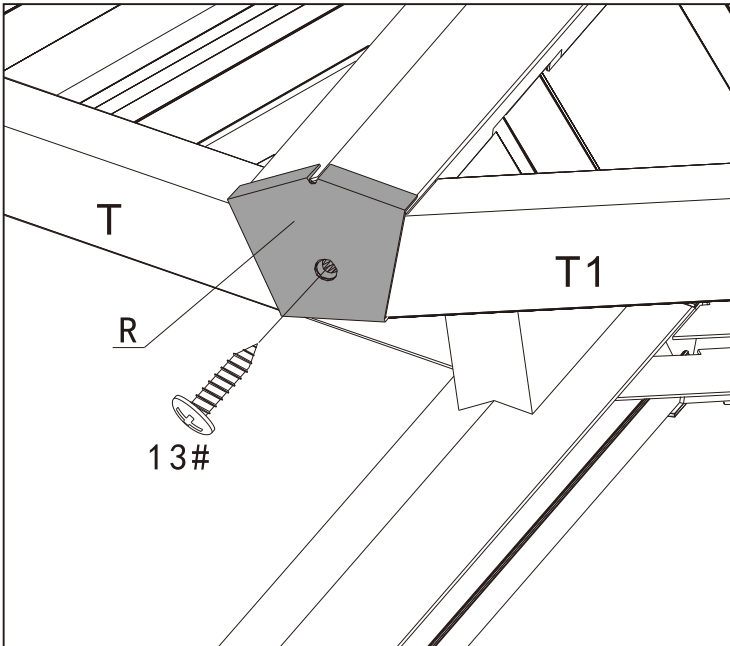
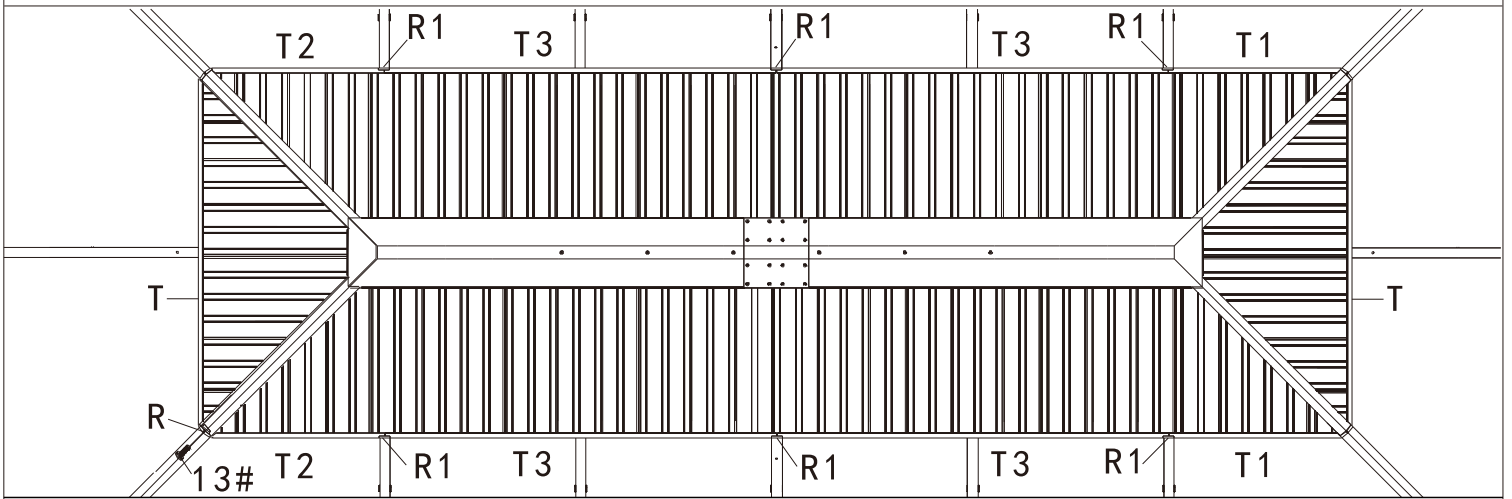
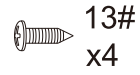
(1) Insert the roof panels into the top frame in order.

**NOTE:** The roof panel at the back needs to cover the roof panel at the front.

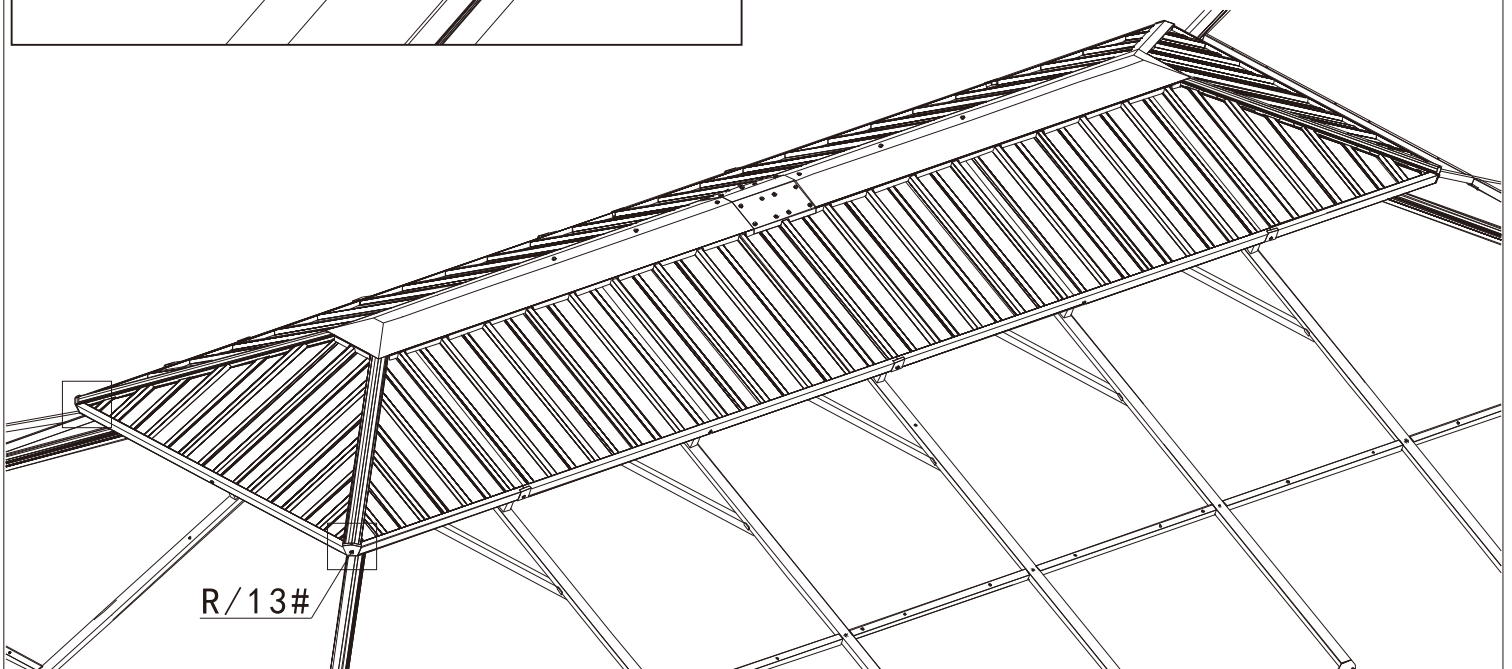
(3) Repeat the above procedures to assemble the opposite side.

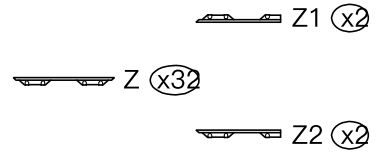
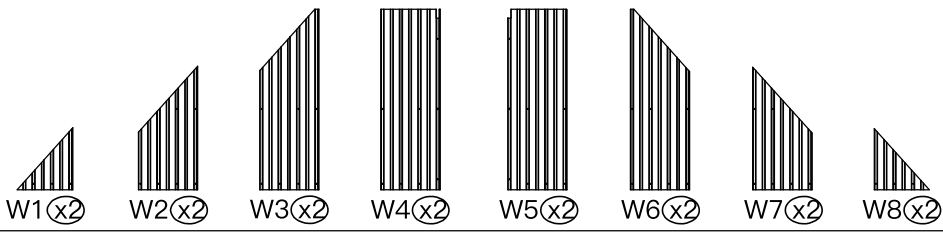
(2) Attach Part #T/T3 to the top roof and secure with 6 Bolts 1#.



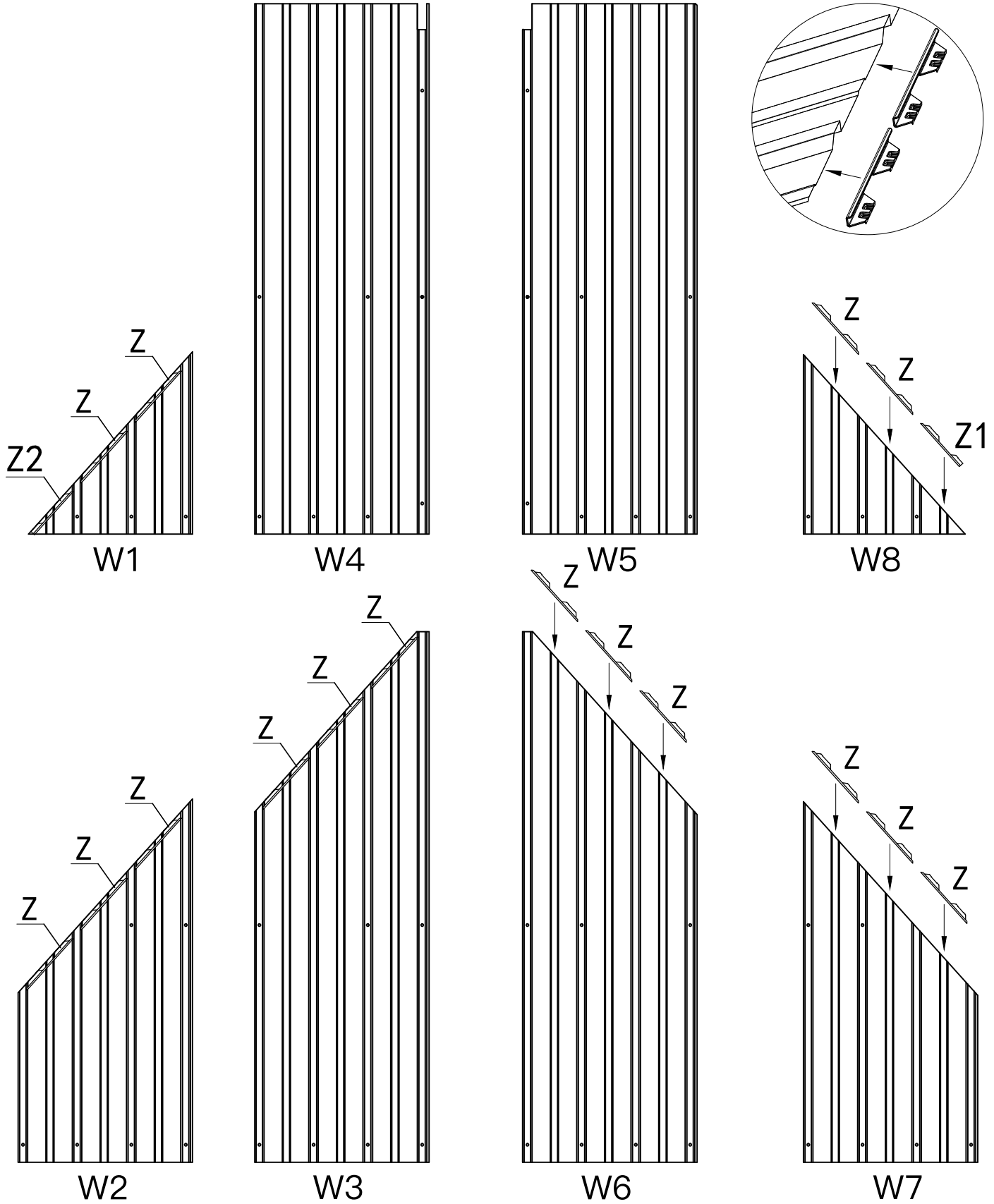


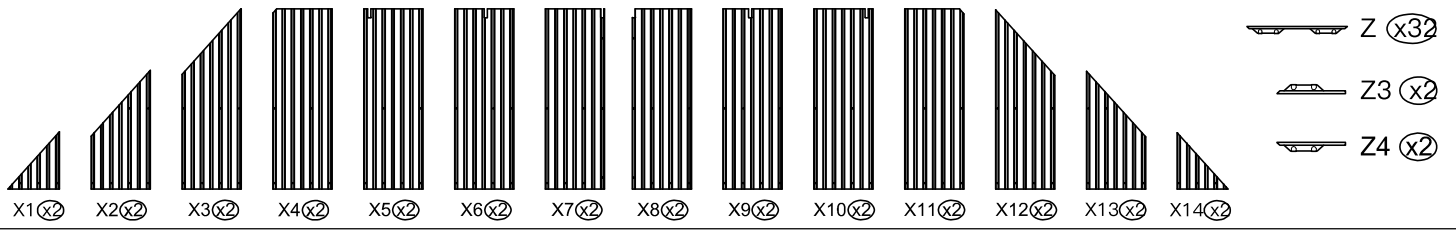
- (1) Attach Part #T and Part #T1 to the top roof with Part #R and secure with 1 Bolts 13#.
- (2) Repeat the above procedures to assemble the other 3 corners.



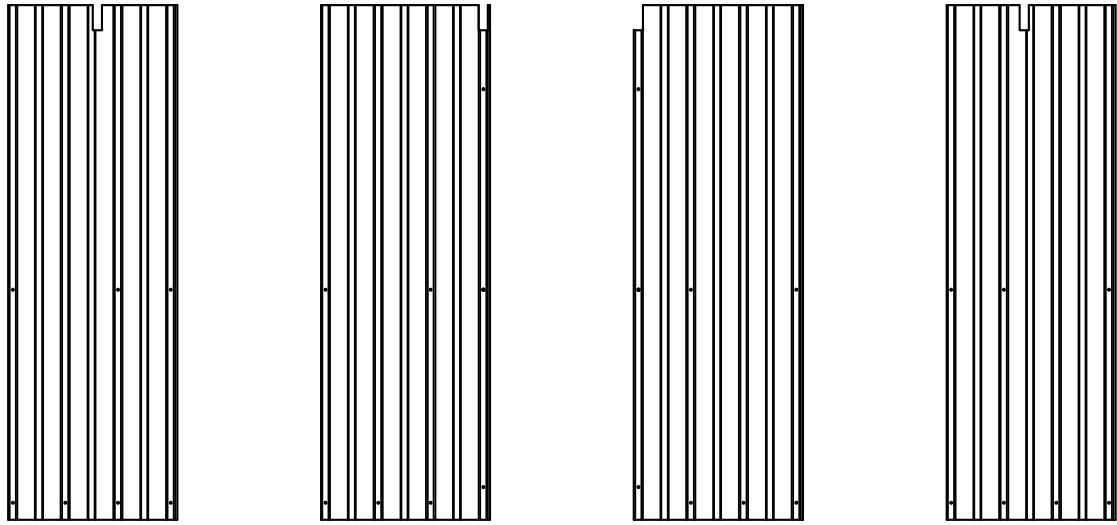


### Insert Part #Z, #Z1 & #Z2 to Roof Panels





## Insert Part #Z, #Z3 & #Z4 to Roof Panels

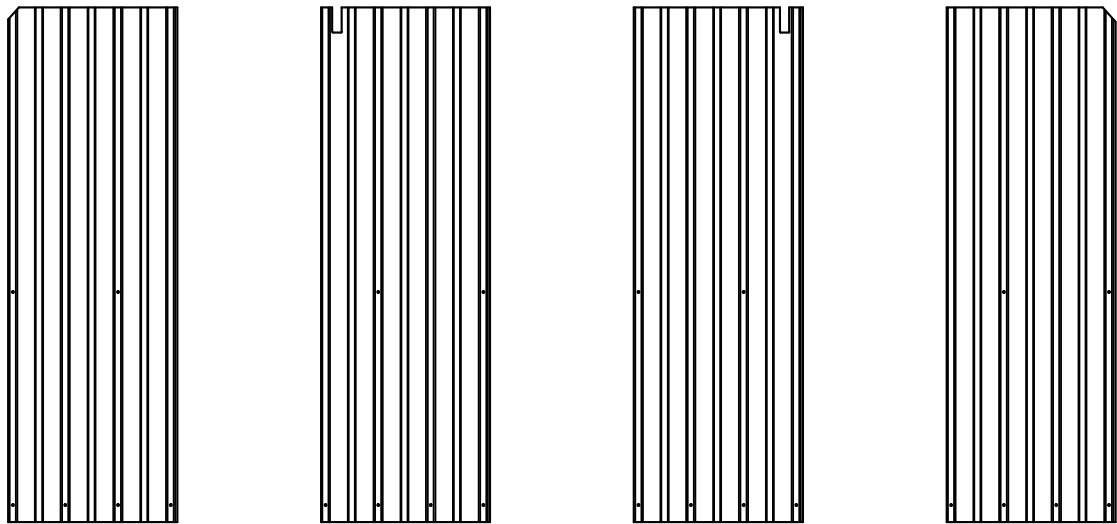


X6

X7

X8

X9

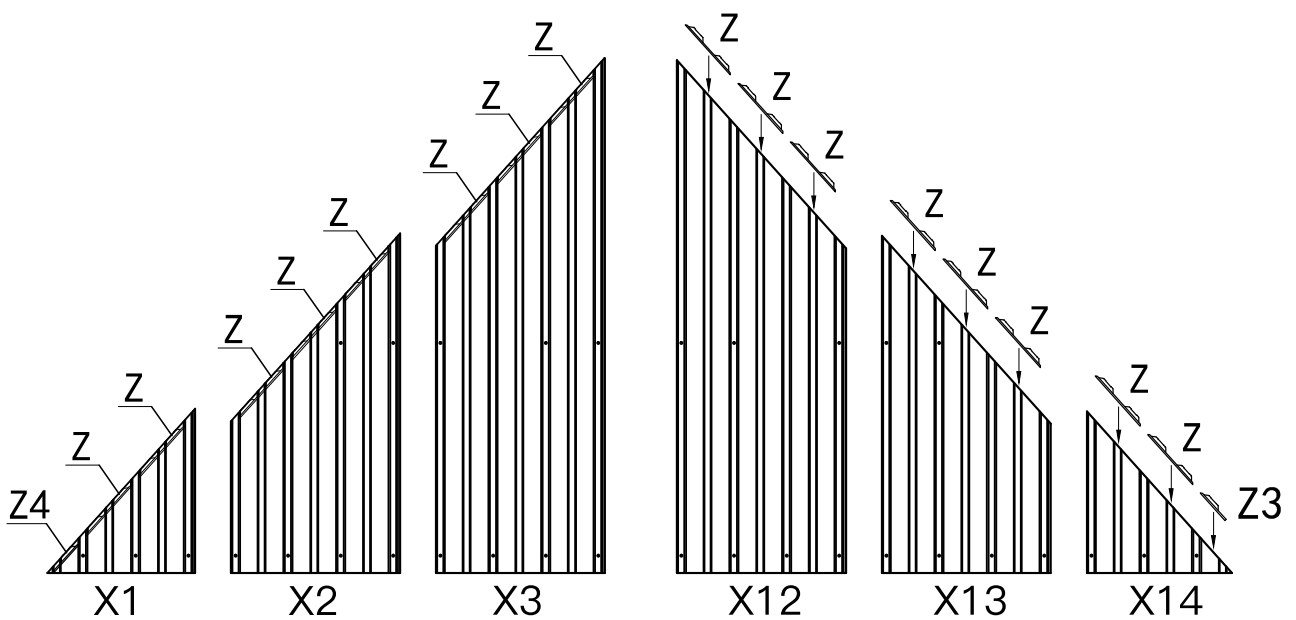


X4

X5

X10

X11



X1

X2

X3

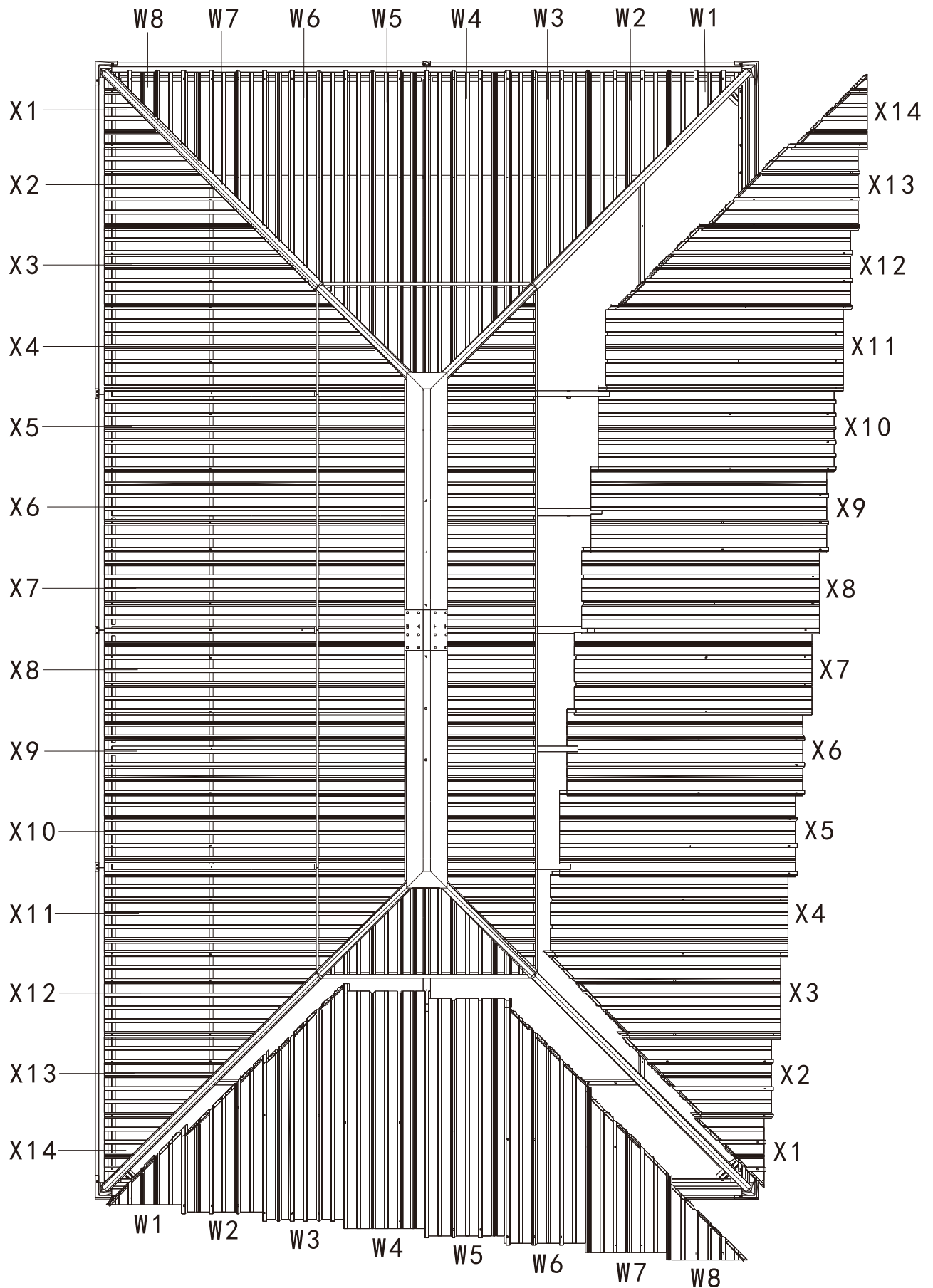
X12

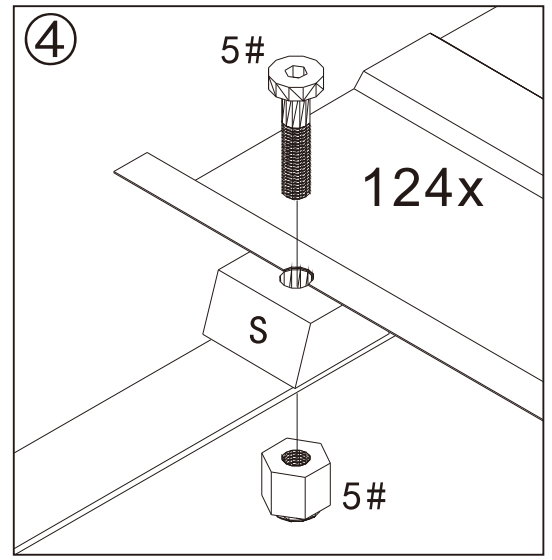
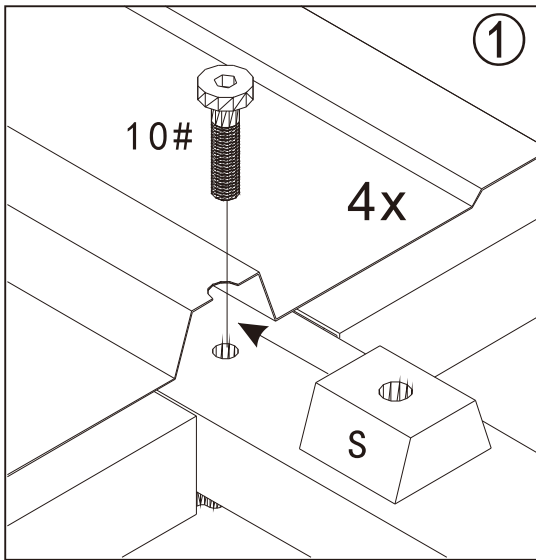
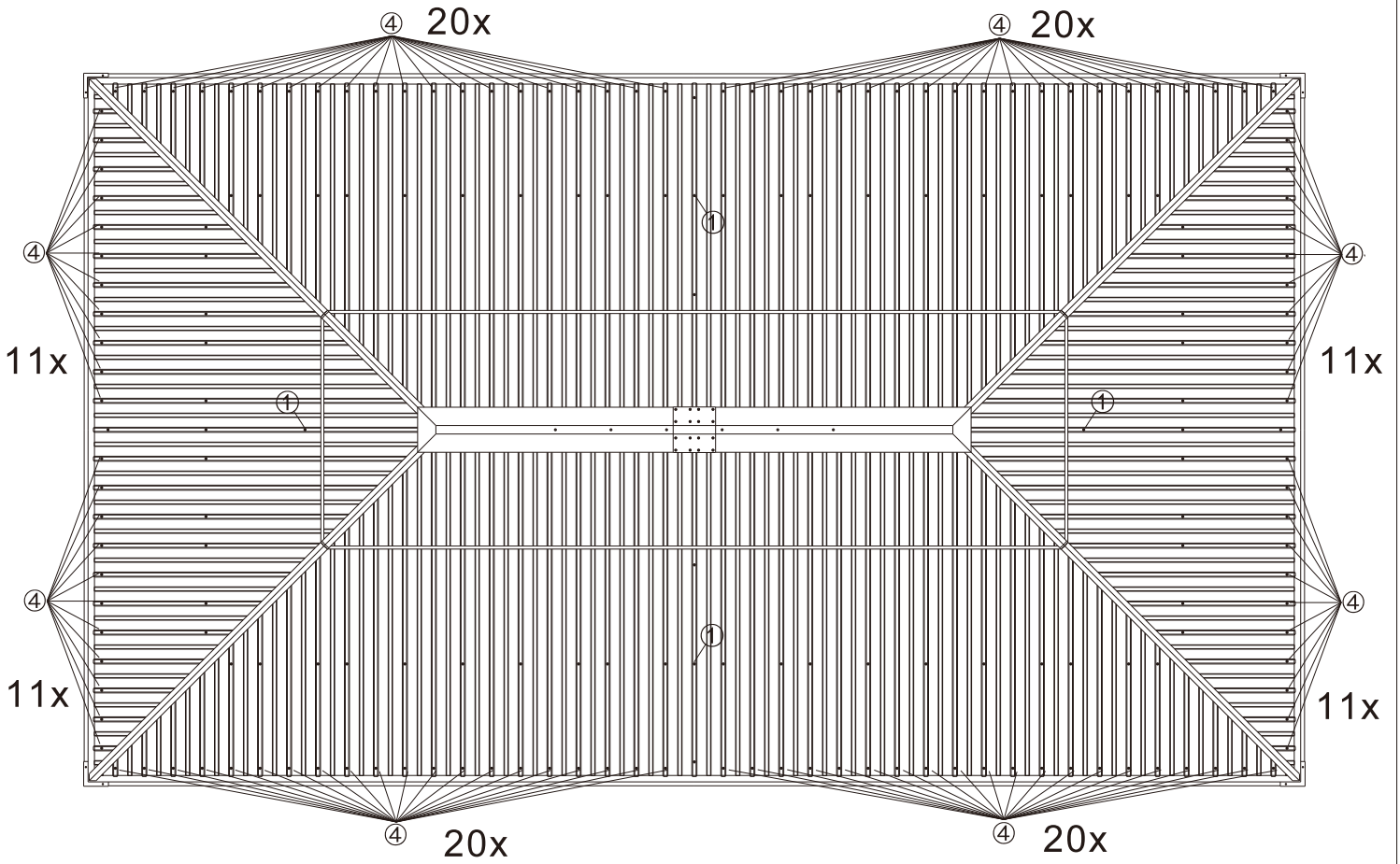
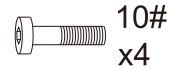
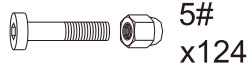
X13

X14

# Overall Roof Assembly:

Please put the roof panels on the frame in order as shown.

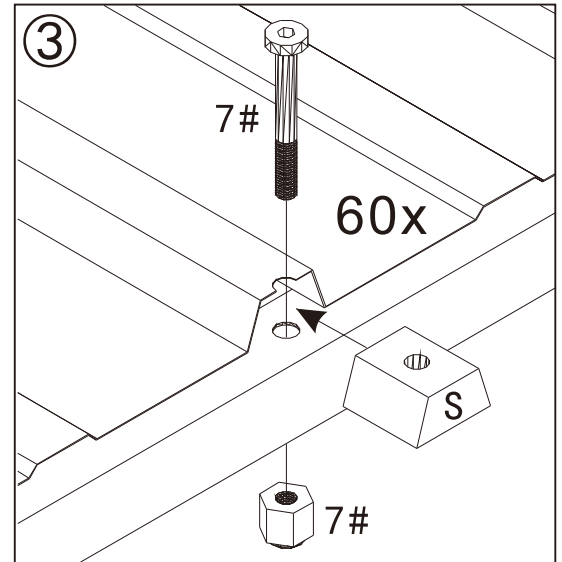
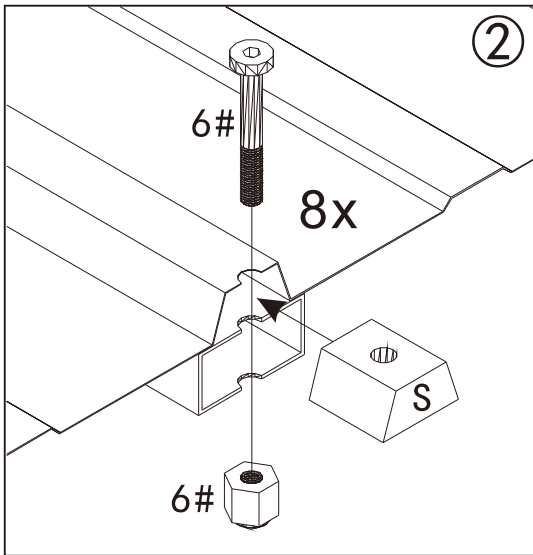
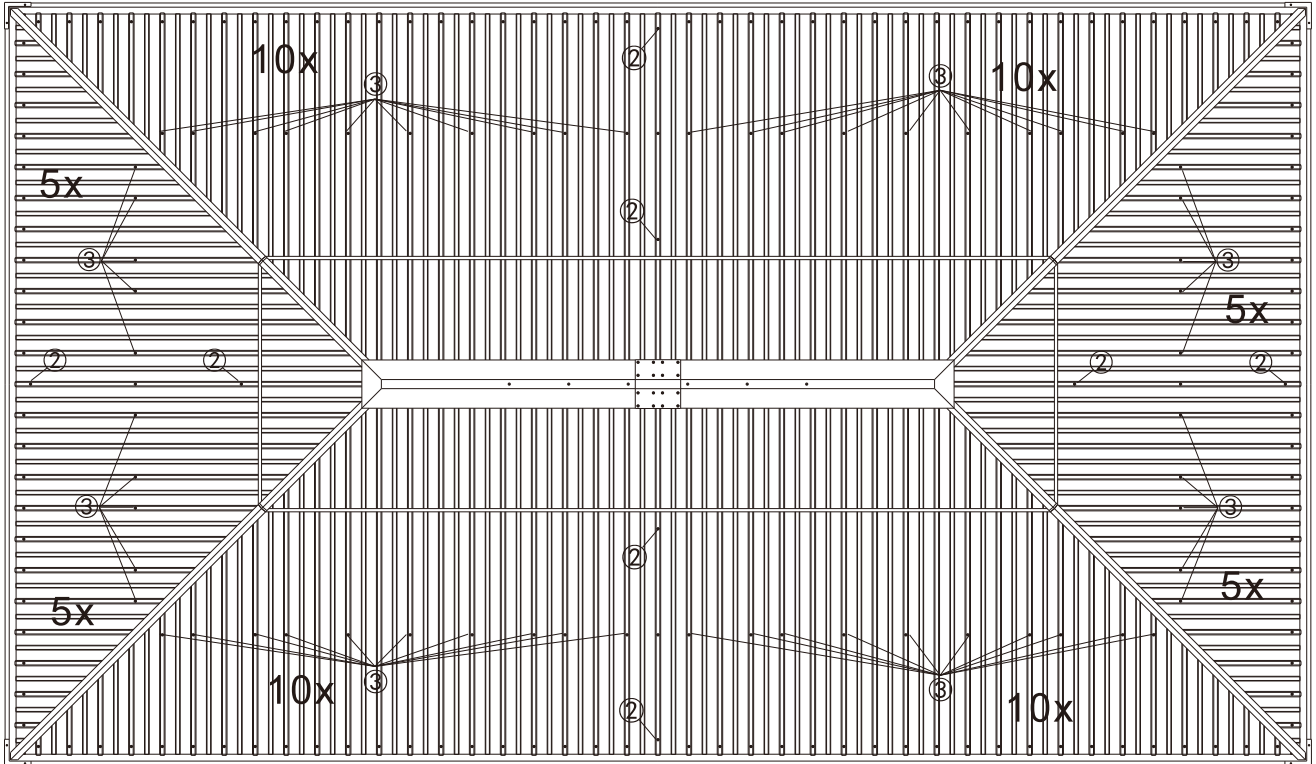
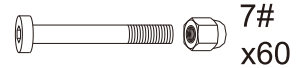
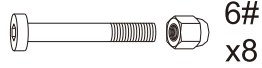




①: Place 4 black rubbers #S between roof panels and middle roof tubes. Secure with 4 Bolts #10.

④: Place 124 black rubbers #S between roof panels and beams. Then secure with 124 Bolts #5 and Nuts.

**NOTICE:** The Part #S should be inserted between roof panels and solidifying bars or beams, then secure with bolts and nuts.

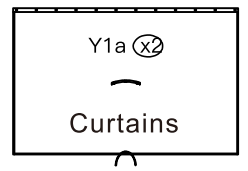
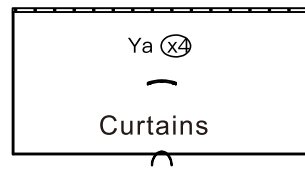
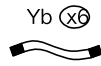
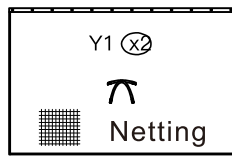
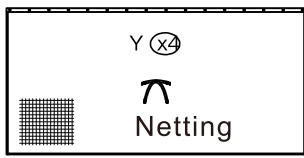


②: Place 8 black rubbers #S between roof panels and middle roof tubes. Secure with 8 Bolts #6 and Nuts.

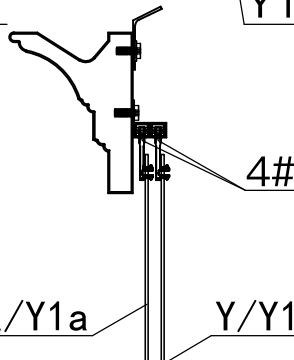
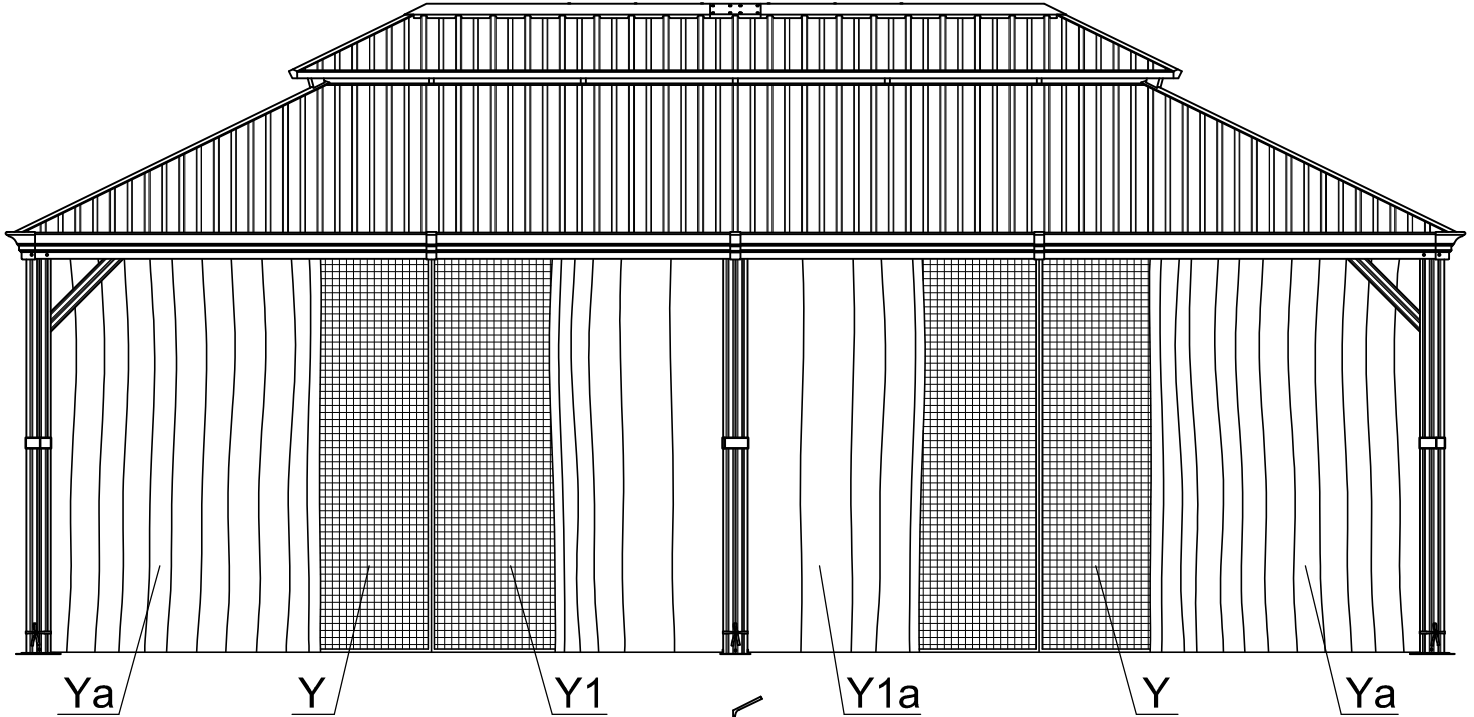
③: Place 60 black rubbers #S between roof panels and beams. Then secure with 60 Bolts #7 and Nuts.

**NOTICE:** The Part #S should be inserted between roof panels and solidfying bars or beams, then secure with bolts and nuts.

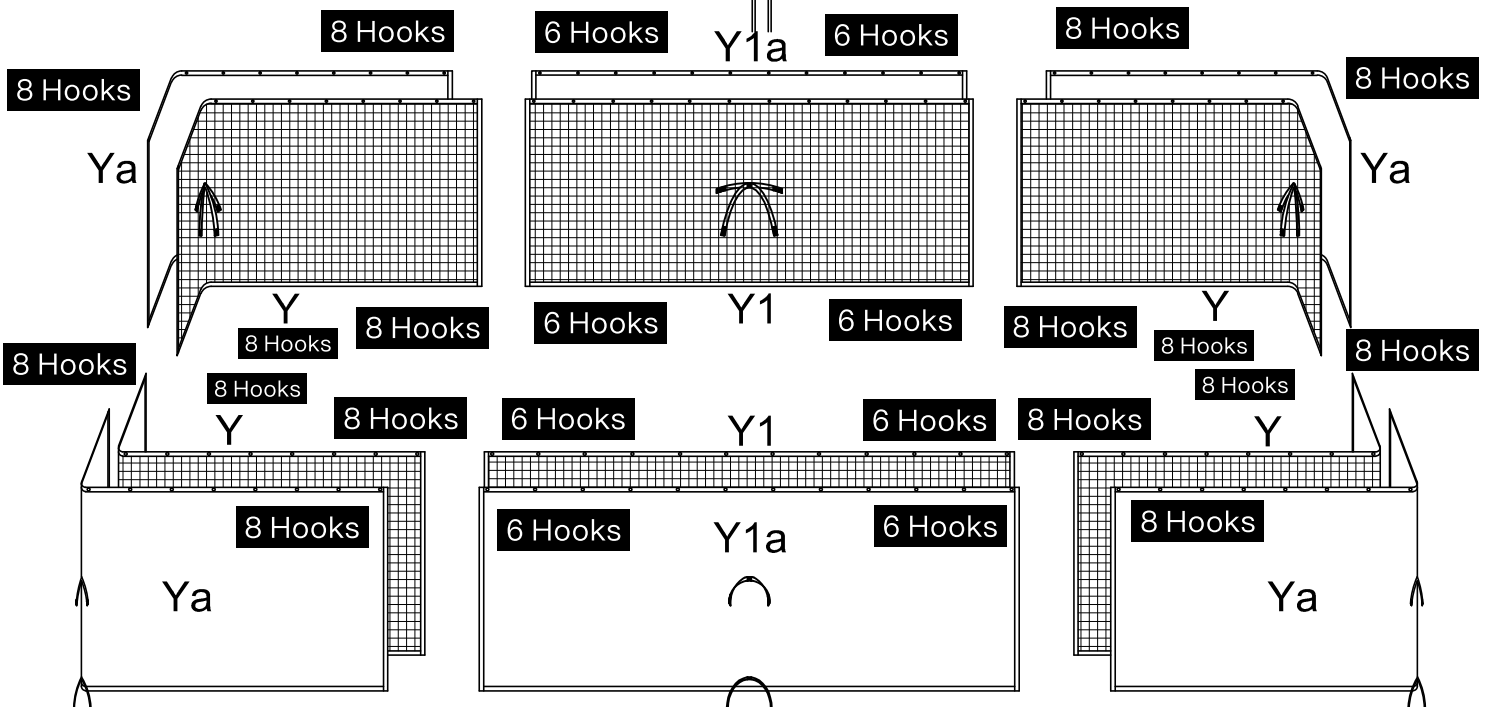


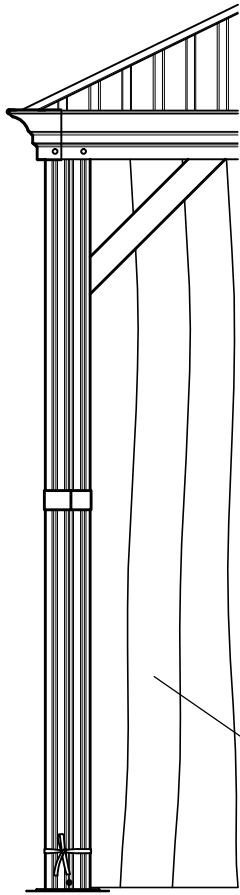


## Put on Mosquito Netting and Curtains

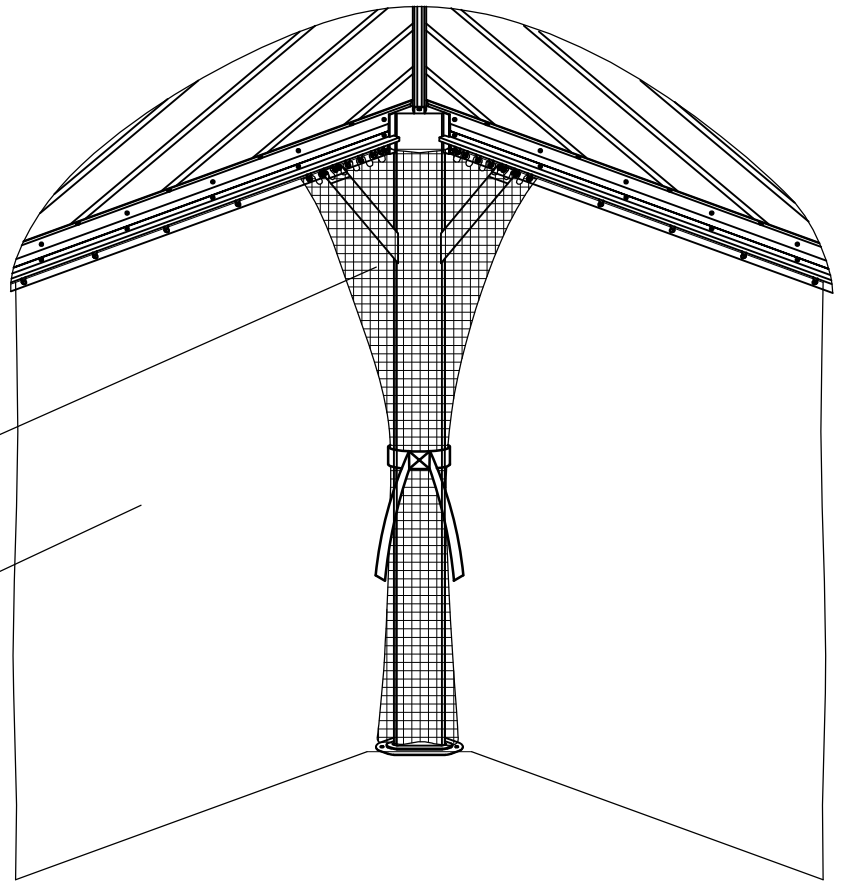


Double-track



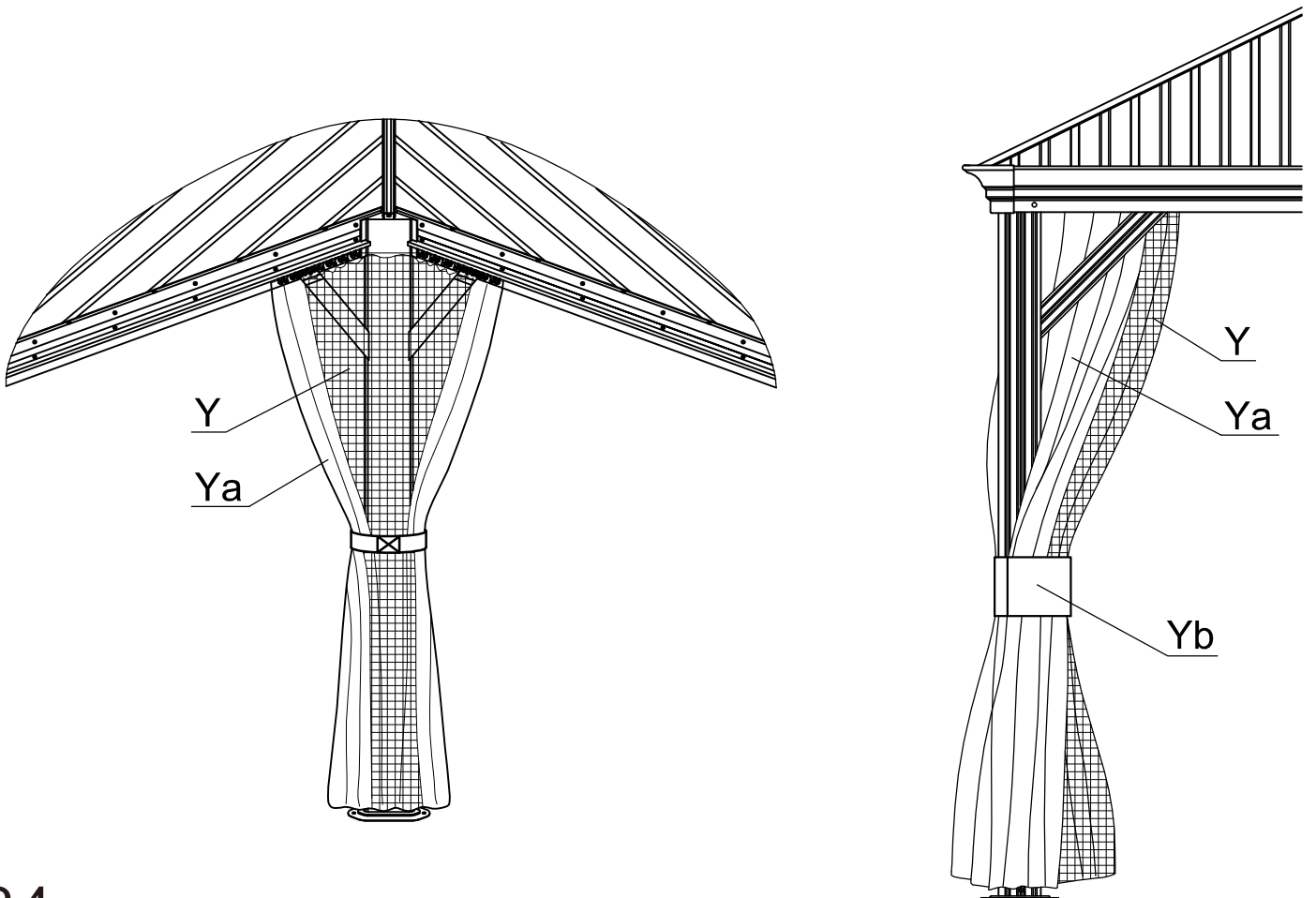


Ya



Y

Ya



Y

Ya

Y

Ya

Yb

# Thanks for your purchase.

At domi outdoor living, we believe in our products.

That's why we provide a 12-month warranty and

friendly, easy-to-reach after-sales service. So if you

have any questions about our product and assembly,

please feel free to contact us. We will be here for you.

**Support:**



**After-sales contact email:**

[service@domioutdoorliving.com](mailto:service@domioutdoorliving.com)

Please tell us your order ID when contact.

Attach photos of damaged part for instant reply.