

Domi outdoor living

domi
outdoor living



10'×12'

SKU: LGMF1610

WALL MOUNT GAZEBO

Assembly Manual

Thank you for your purchase of

Domi outdoor living's Gazebo

Read and follow this assembly and operation guide.

To reduce personal injury and damage to your gazebo

Please **close** your gazebo curtain when it is incoming over **30 mph** wind.

We recommend a **two-person team** for assembly and disassembly.

If you like our products, please tell other customers

If you have prbblem with our products, please tell us

Please feel free to contact us.

DOMI OUTDOOR LIVING

domi
outdoor living

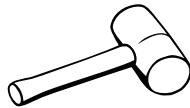
Pre-assembly

TOOLS THAT MAY BE REQUIRED (Not included in boxes)

*NOTE: Tools / equipment are not shown to actual size and scale.



LEVEL



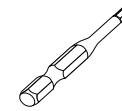
RUBBER Mallet



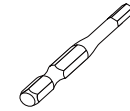
PHILLIPS SCREW



DRILL



ALLEN KEY



ALLEN KEY

EQUIPMENT REQUIRED (Not included in boxes)

*NOTE: Equipment are not shown to actual size and scale.



SAFETY HAT



GLOVES



SAFETY GOGGLES



STEPLADDER

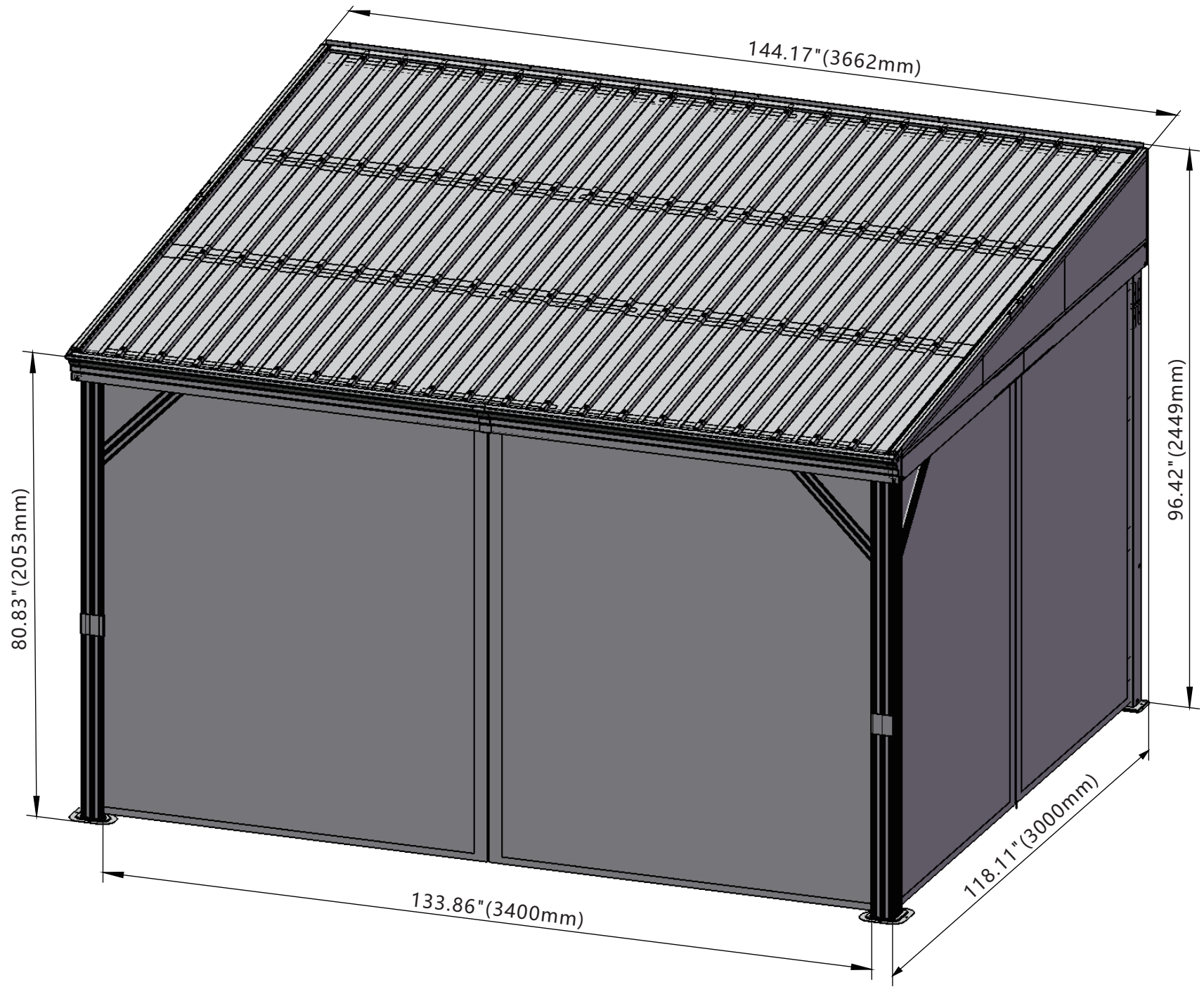
Matters needing attention



1. Two or more people are required for assembly.



2. Do not fully tighten screws prior to complete assembly.





5.04" (128mm)

110.43" (2805mm)



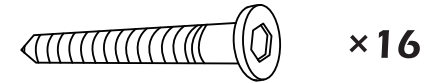
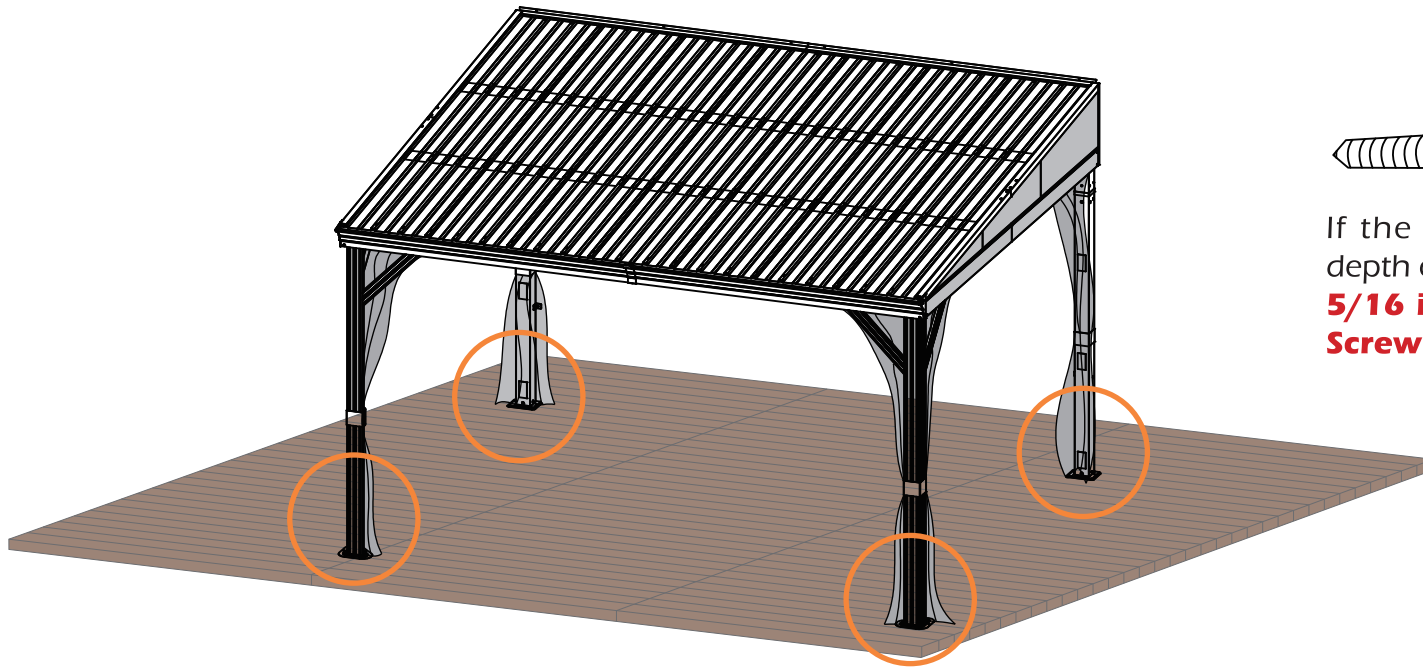
0.31" (8mm)

137.83" (3501mm)

144.76" (3677mm)

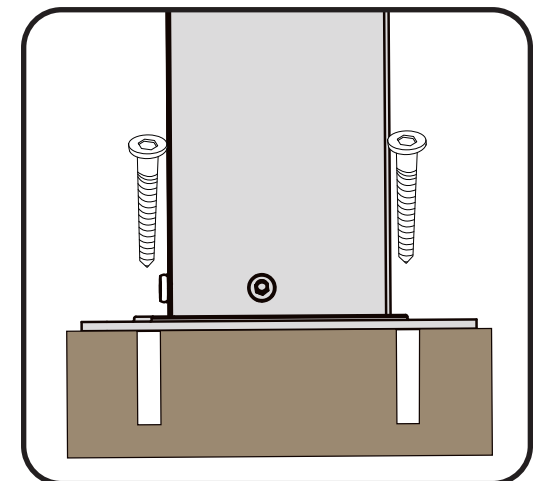
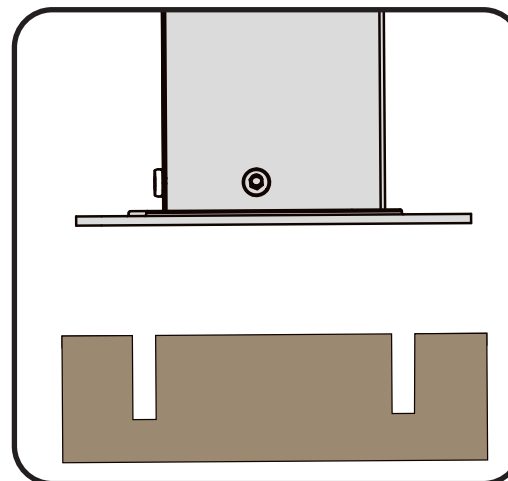
3.46" (88mm)

1

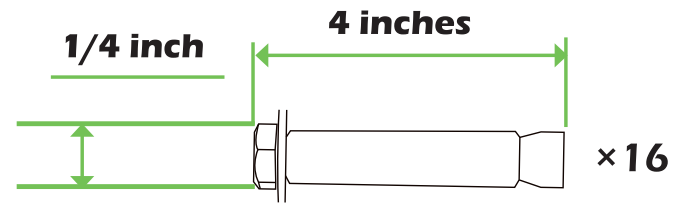
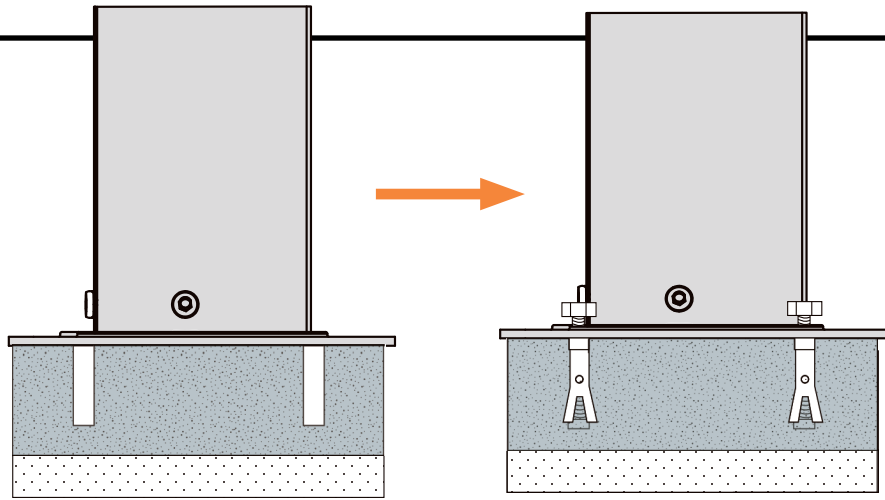


×16

If the deck is hard wood and the depth of it is over 3 inch, you can use **5/16 in. ×4 in. Structural Wood Screw** to mount the pergola.

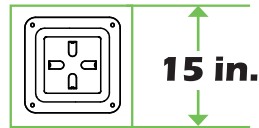
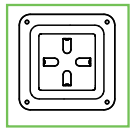


2

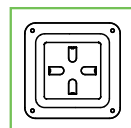
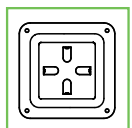


If the ground is concreted and the depth of it is over 3 inch, you can use 1/4 inch expansion bolts to mount the pergola

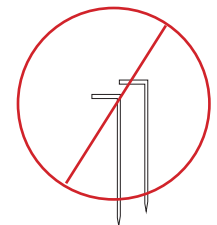
3

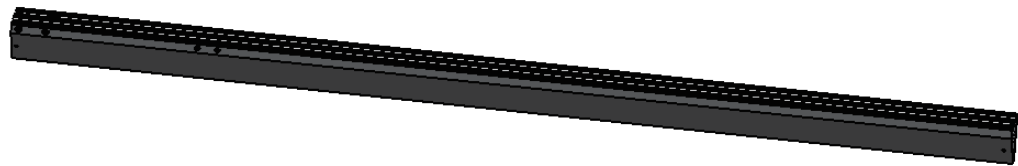


Or you can make a concrete footing for pergola, **15×15×15 inches** is recommended. use expansion bolts to mount the pergola like (2) shows.

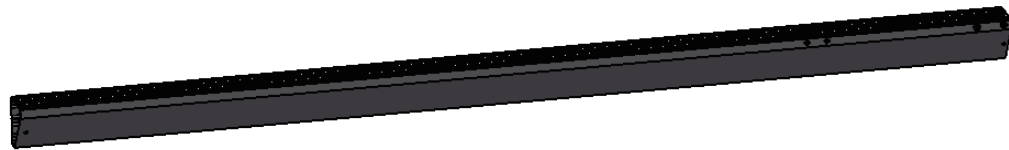


IMPORTANT:
Anchor is not recommended

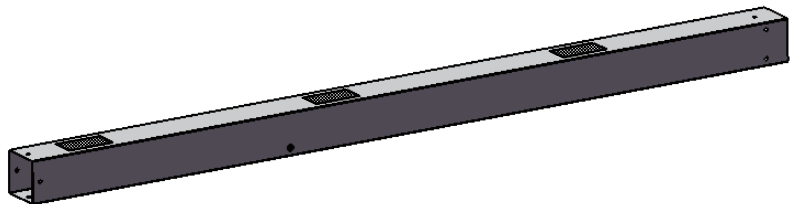




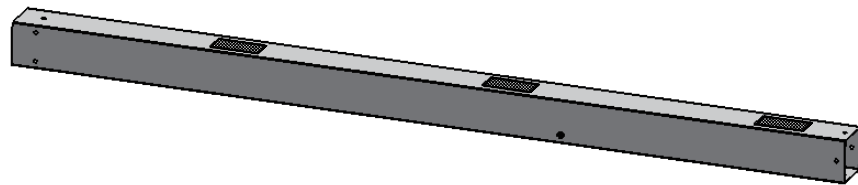
A1 1X



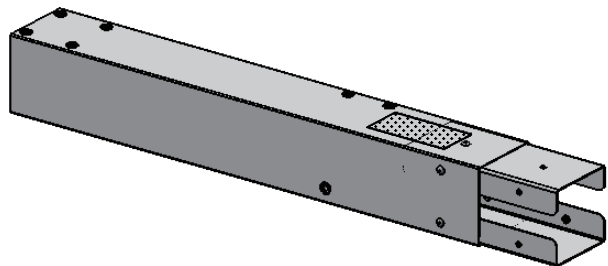
A2 1X



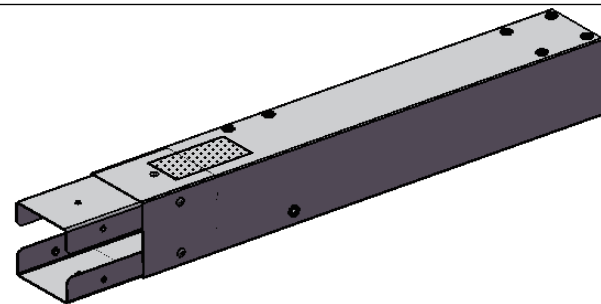
A3 1X



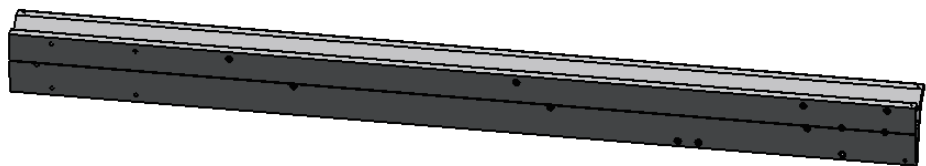
A4 1X



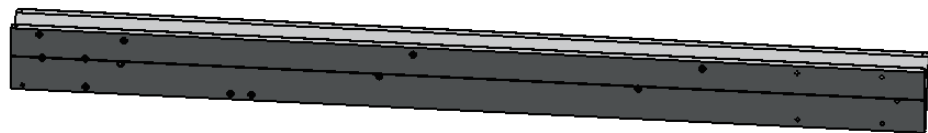
A5 1X



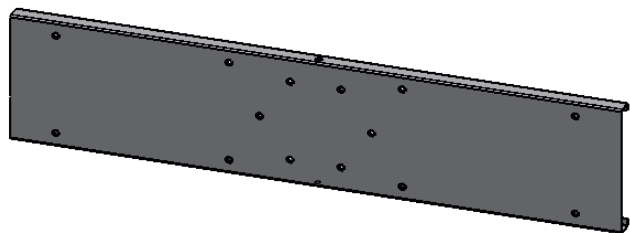
A6 1X



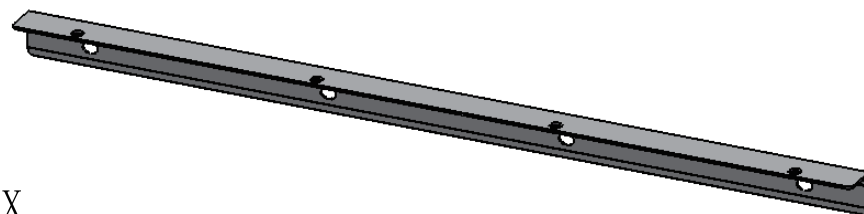
B1 1X



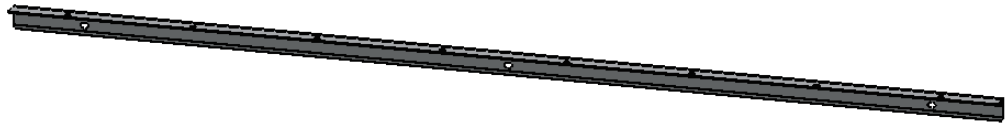
B2 1X



C 1X



D1 4X



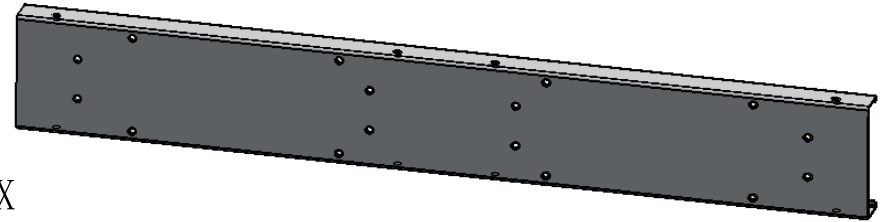
D₂ 8X



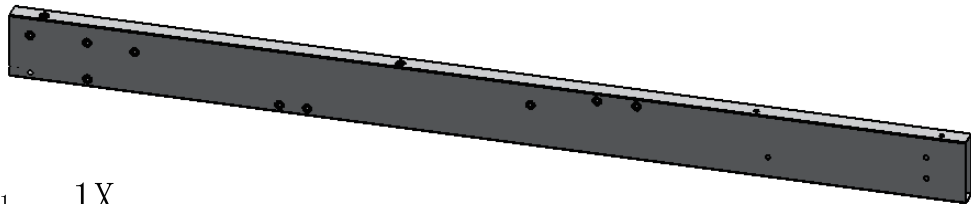
E₁ 2X



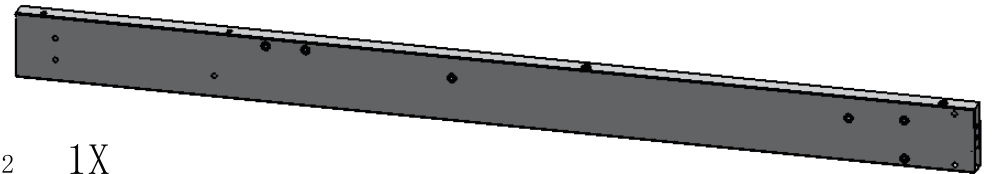
E₂ 4X



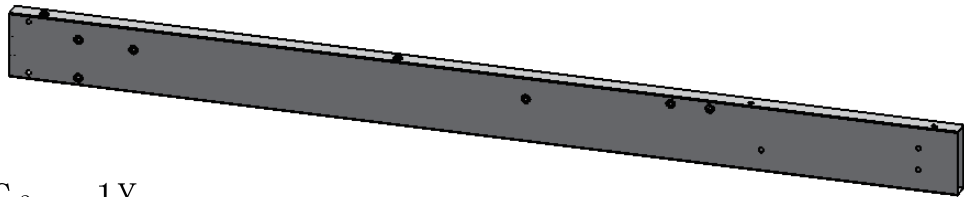
F 5X



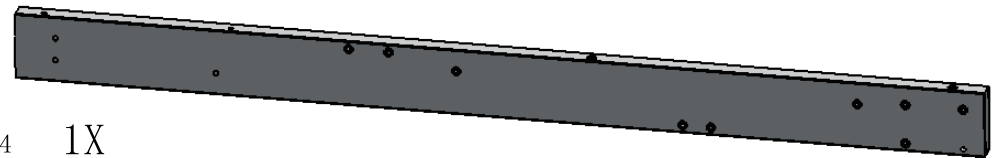
G₁ 1X



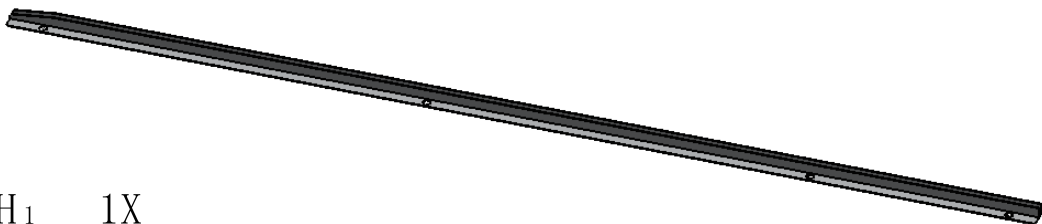
G₂ 1X



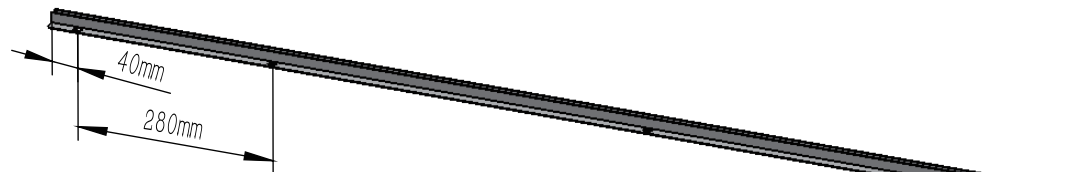
G₃ 1X



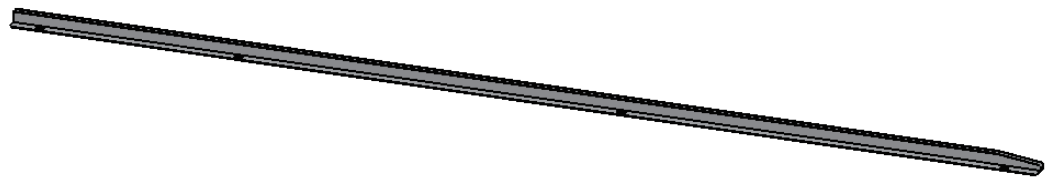
G₄ 1X



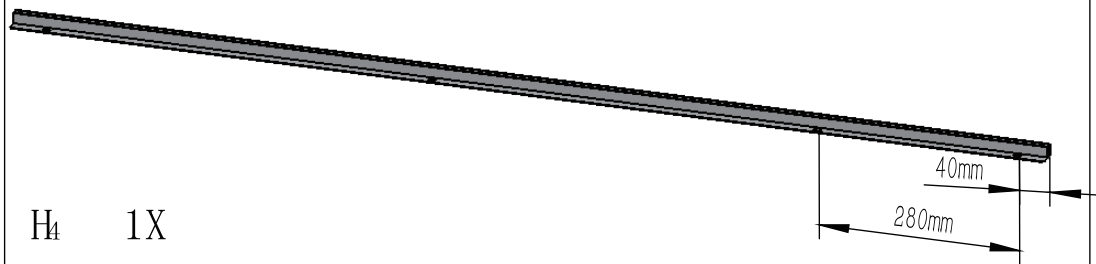
H₁ 1X



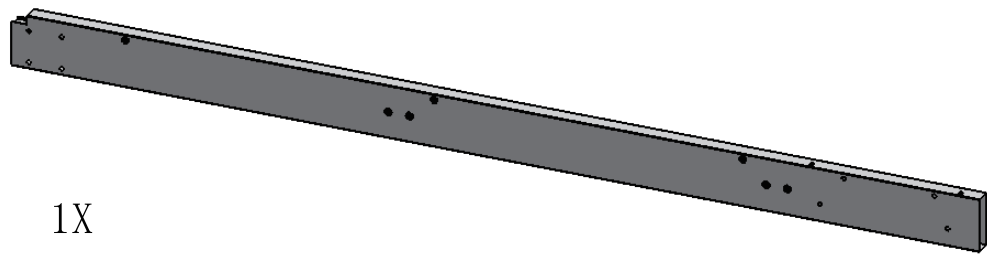
H₂ 1X



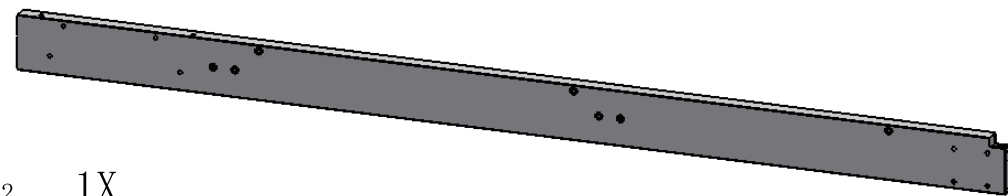
H₃ 1X



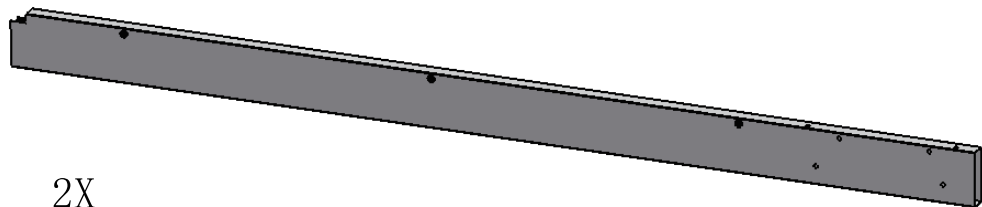
H₄ 1X



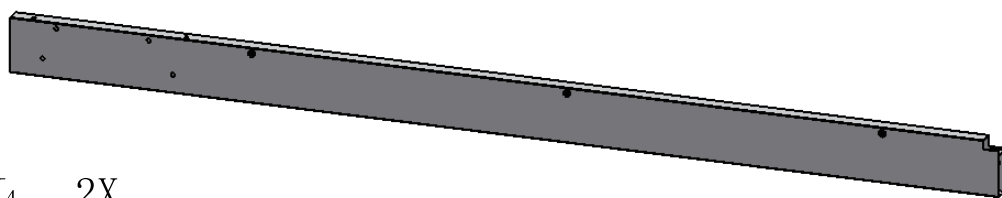
I₁ 1X



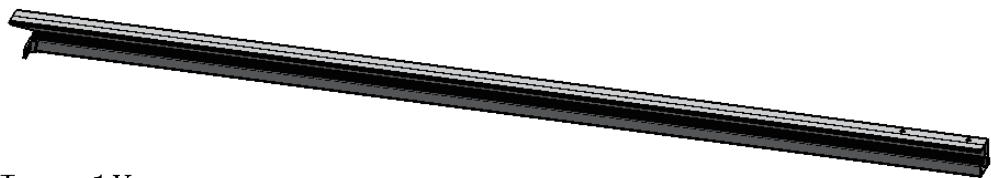
I₂ 1X



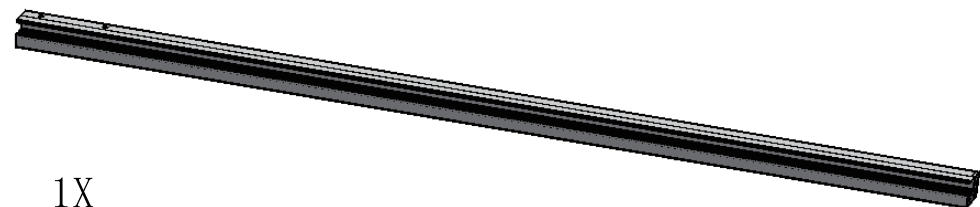
I₃ 2X



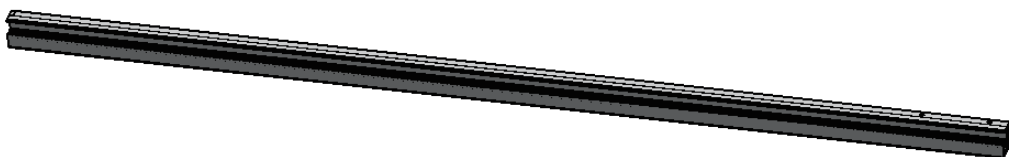
I₄ 2X



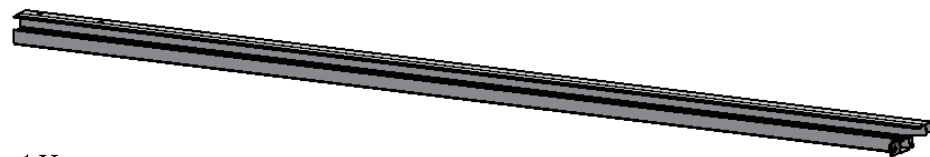
J₁ 1X



J₂ 1X

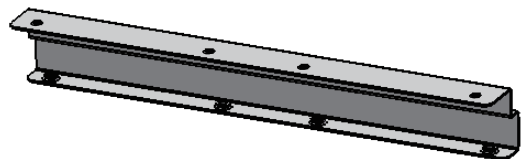


J₃ 1X

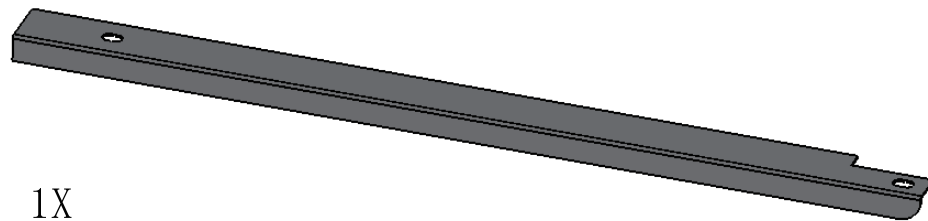


J₄ 1X

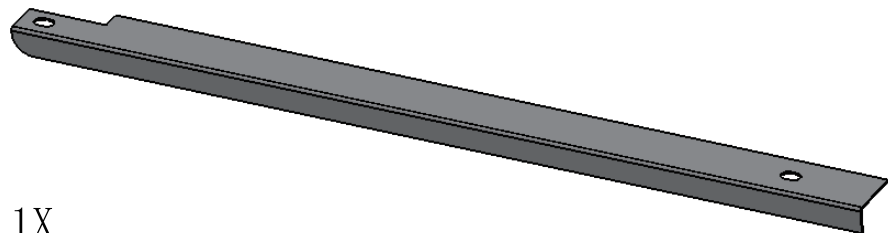
K 2X



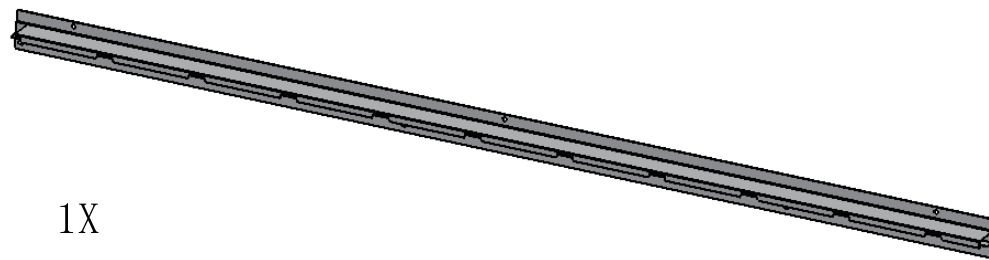
L₁ 1X



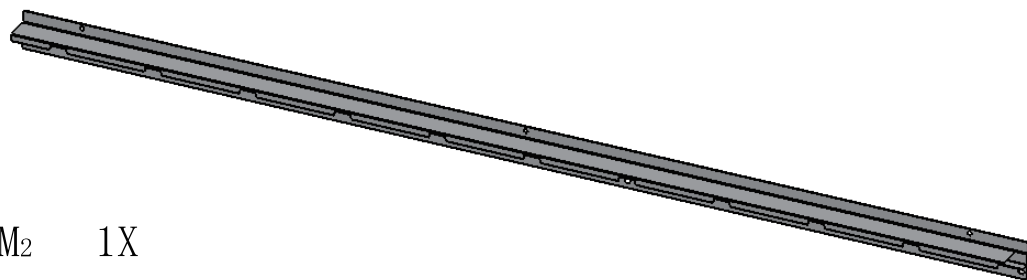
L₂ 1X



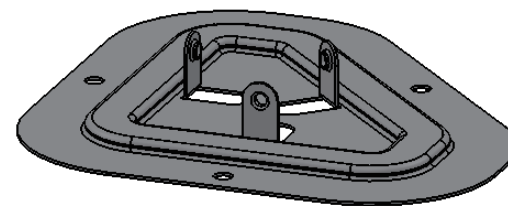
M₁ 1X



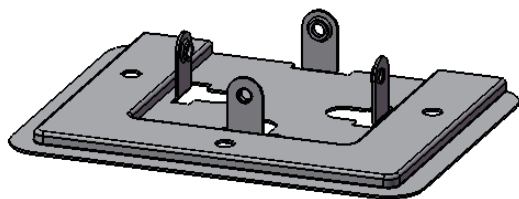
M₂ 1X



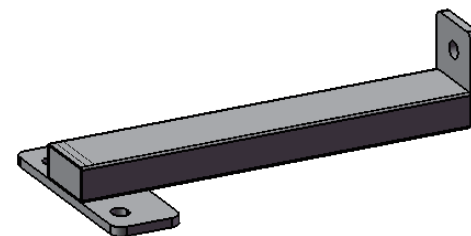
N₁ 2X



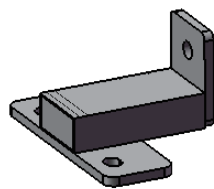
N₂ 2X



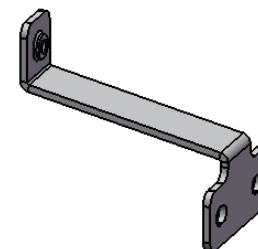
O₁ 2X



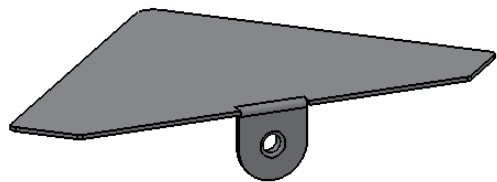
O₂ 2X



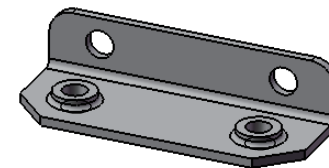
P 4X



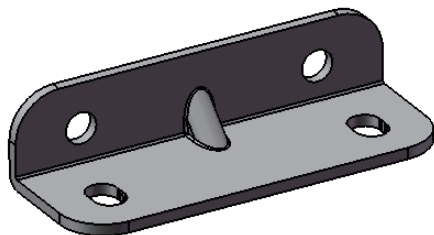
Q 2X



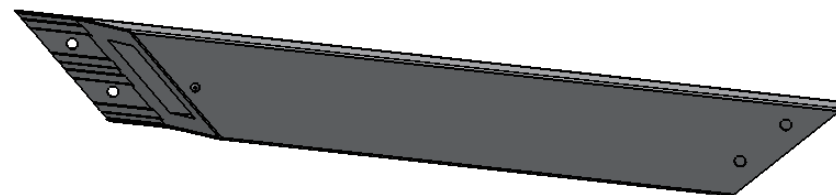
R₁ 4X



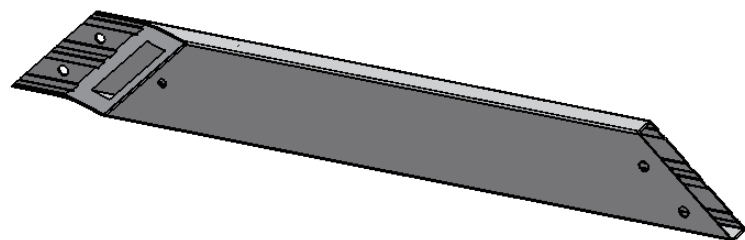
R₂ 6X



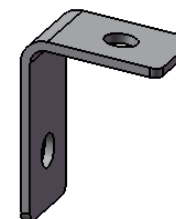
S₁ 2X



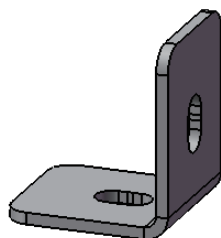
S₂ 2X



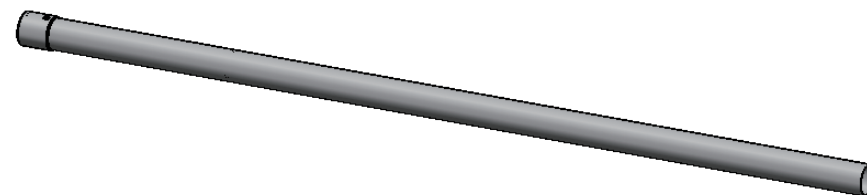
T₁ 6X



T₂ 4X



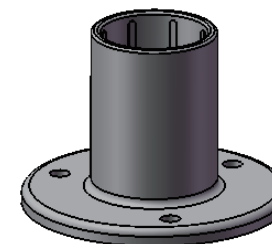
U₁ 2X



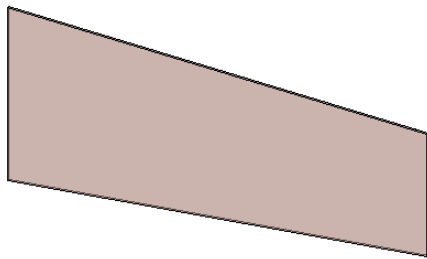
U₂ 2X



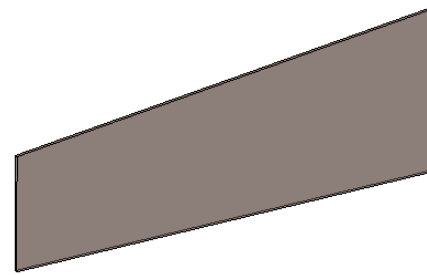
U₃ 2X



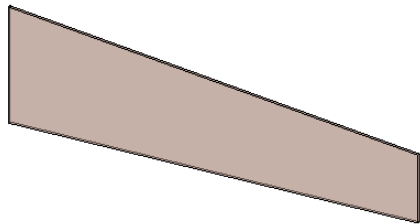
V₁ 1X



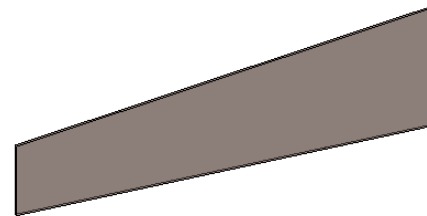
V₂ 1X



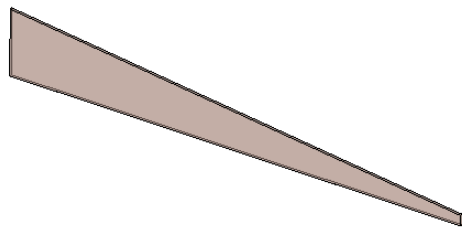
V₃ 1X



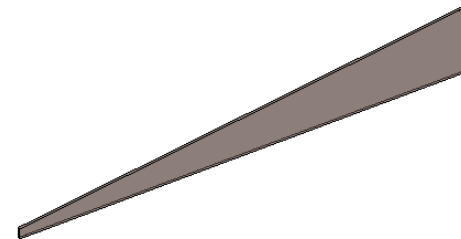
V₄ 1X



V₅ 1X



V₆ 1X



V₇ 1X



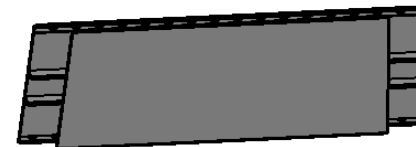
V₈ 1X



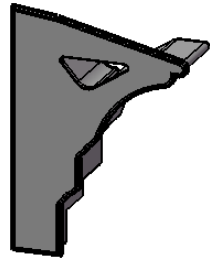
V₉ 1X



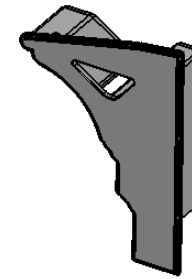
V₁₀ 1X



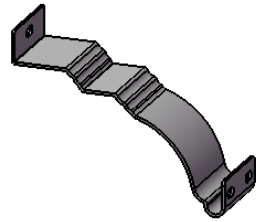
W₁ 1X



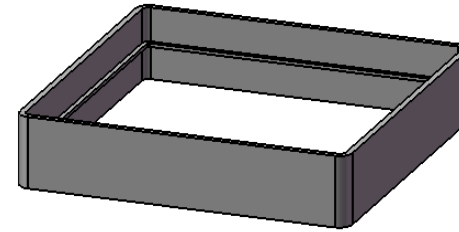
W₂ 1X



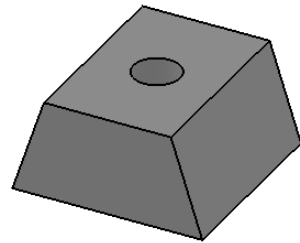
W₃ 1X



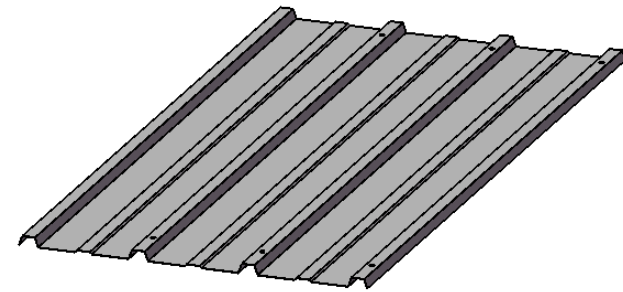
W₄ 2X



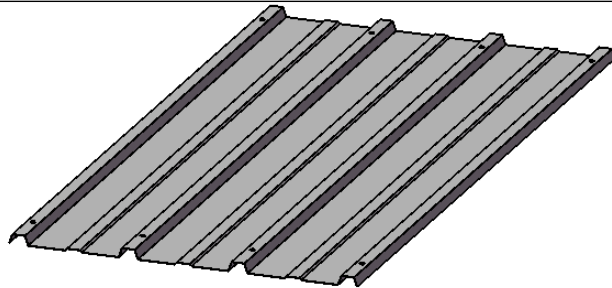
X 80X



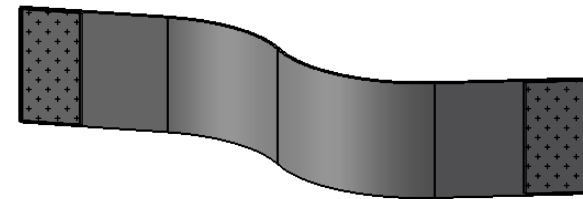
Y₁ 6X



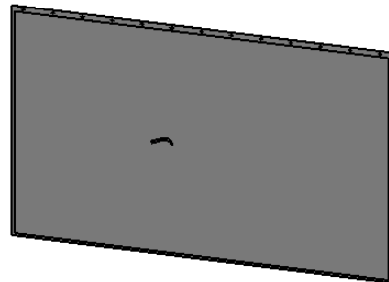
Y₂ 15X



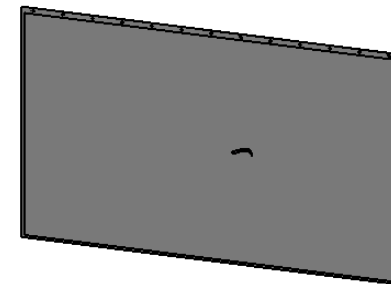
Z₁ 4X



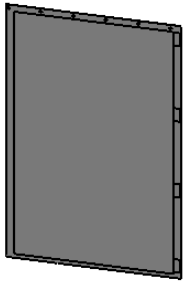
Z₂ 1X



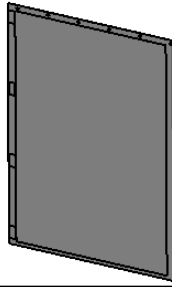
Z₃ 1X



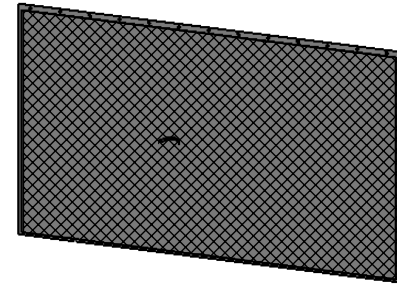
Z₄ 1X



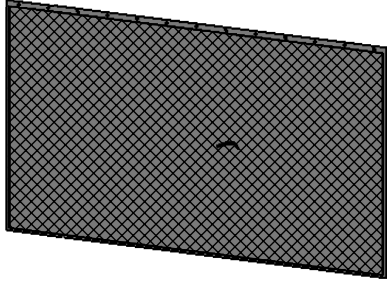
Z₅ 1X



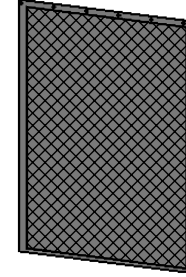
Z₆ 1X



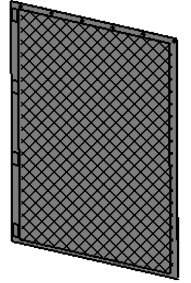
Z₇ 1X



Z₈ 1X



Z₉ 1X

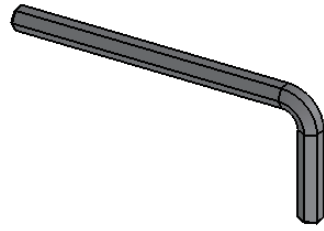


<p>1# 8</p>  <p>ST4. 8*13</p>	<p>2# 25</p>  <p>M5*12</p>	<p>3# 8</p>  <p>M6*10</p>
<p>4# 244</p>  <p>M6*16</p>	<p>5# 80</p>  <p>M6*28</p>	<p>6# 8</p>  <p>M6*40</p>
<p>7# 2</p>  <p>M6*12 (L20)</p>	<p>8# 6</p>  <p>M6*15 (L30)</p>	<p>9# 10</p>  <p>ST6*70</p>
<p>10# 10</p> 	<p>11# 80</p>  <p>M6</p>	<p>12# 2</p>  <p>M8*60</p>
<p>13# 2</p>  <p>M8</p>	<p>14# 2</p>  <p>M8</p>	<p>15# 1</p> 



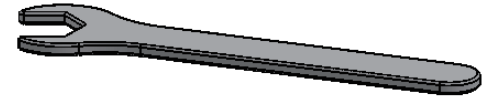
16# 1

S4

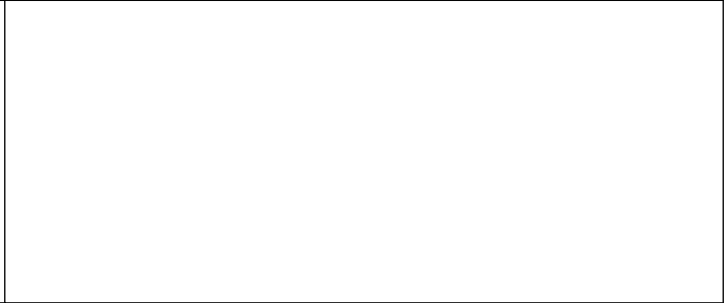
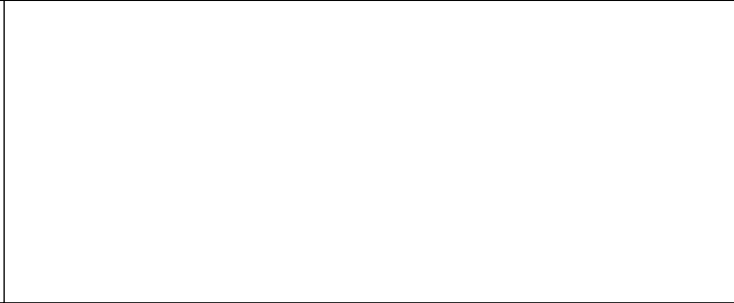
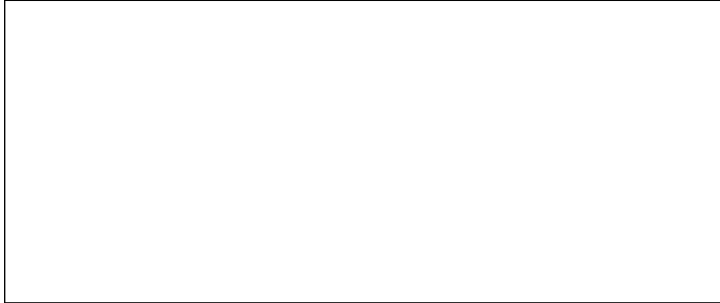
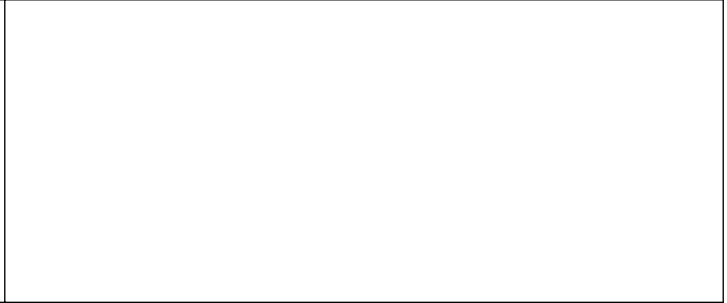
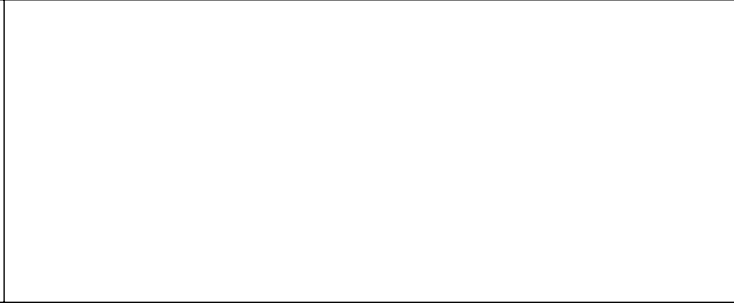
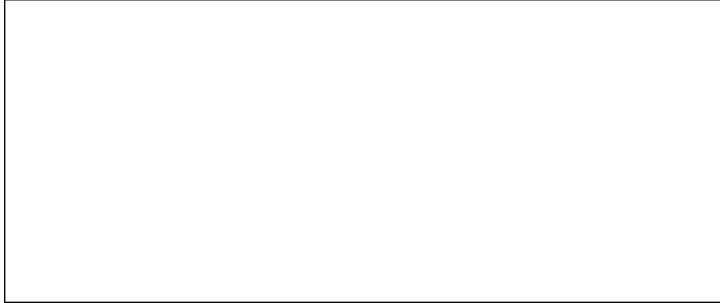


17# 1

S6



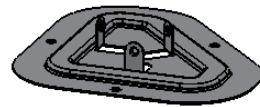
18# 1



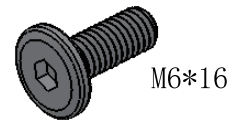


A1 1X

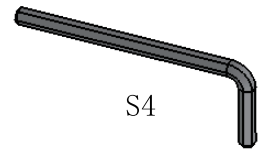
A2 1X



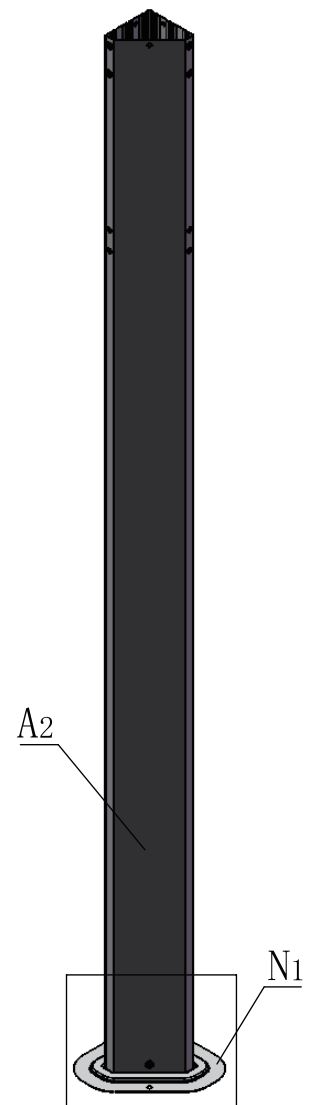
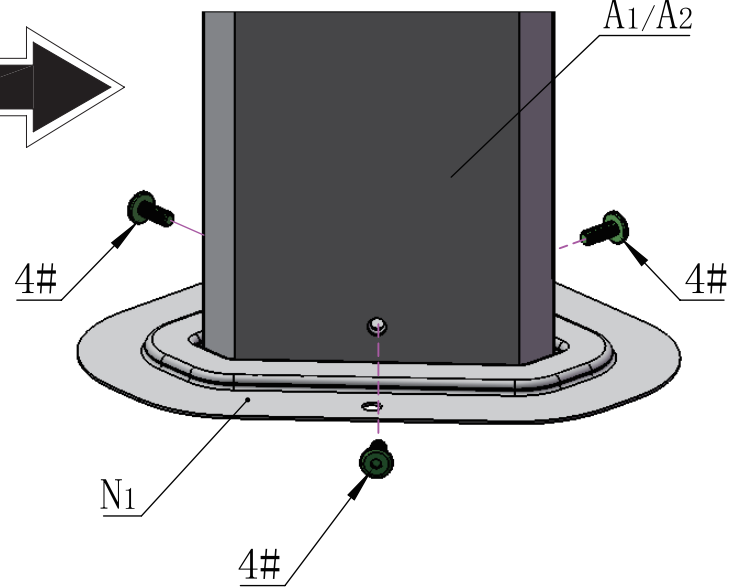
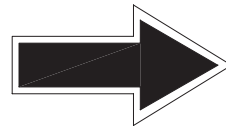
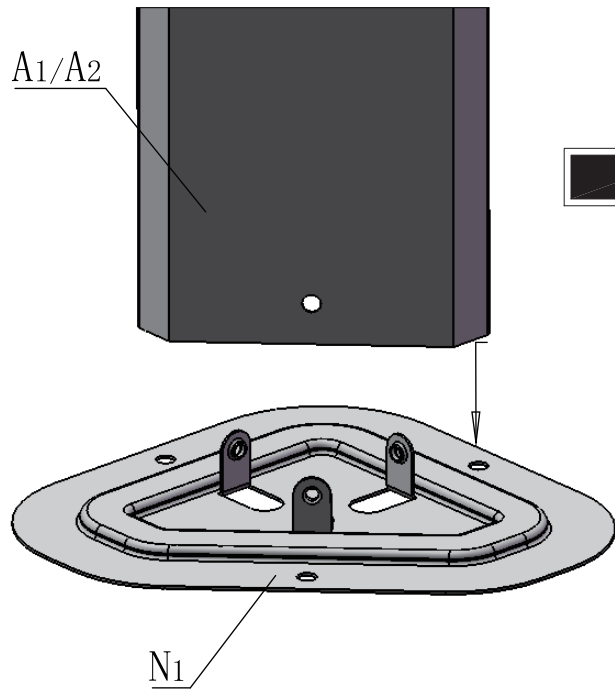
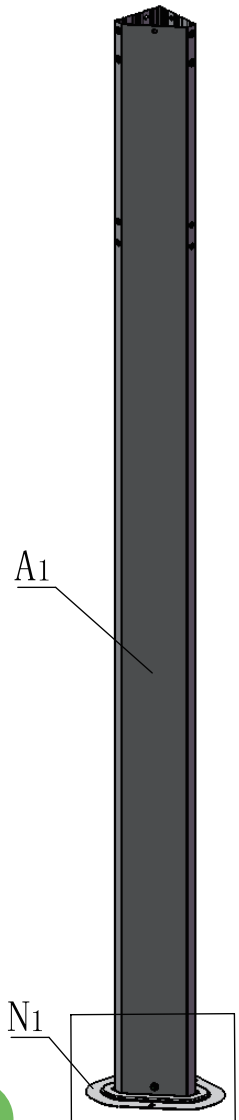
N1 2X

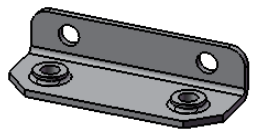


4# 6X



16# 1X



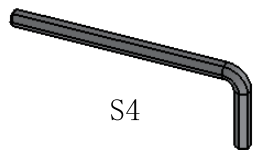


R₁ 4X



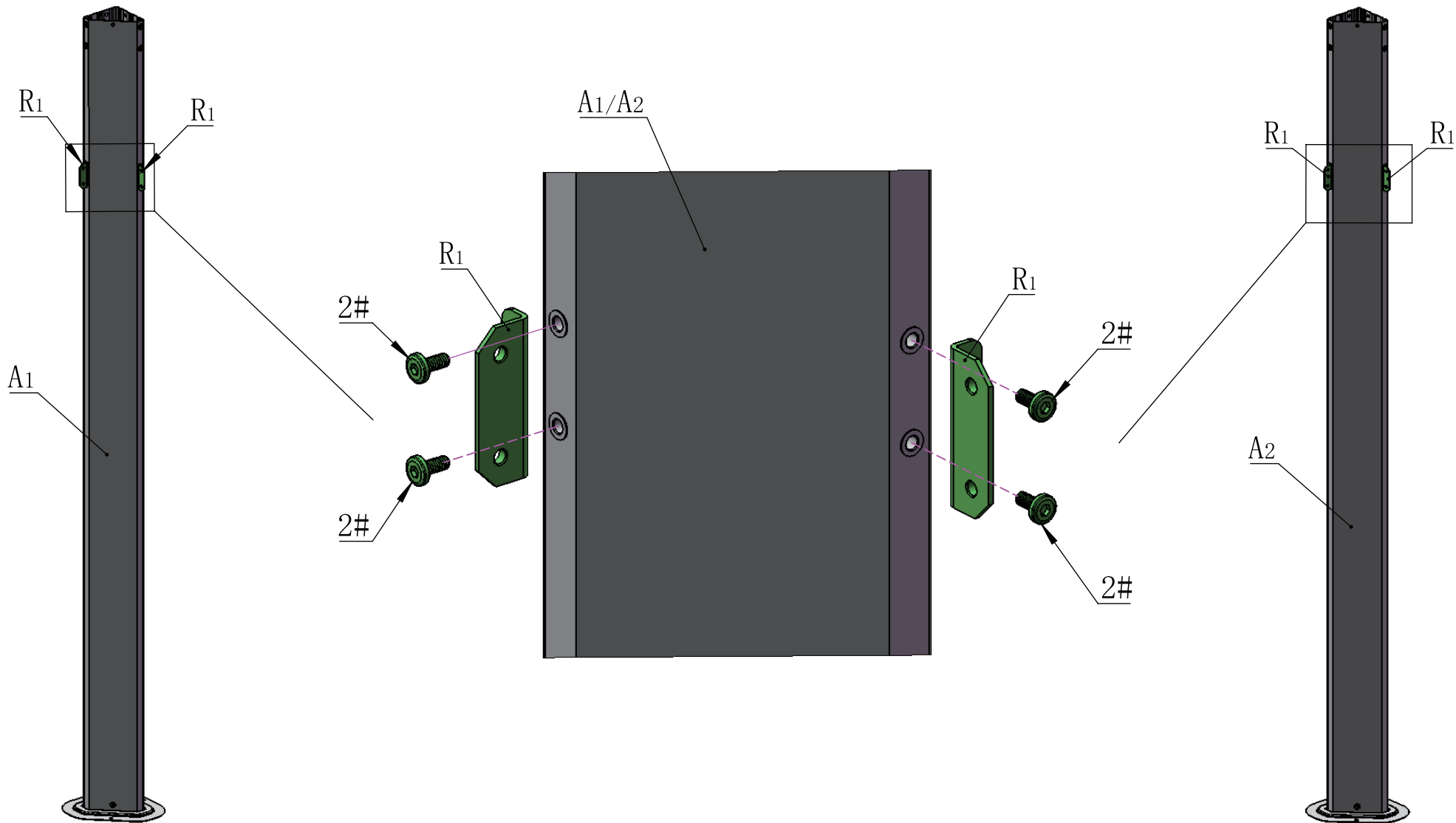
M5*12

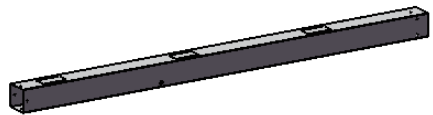
2# 8X



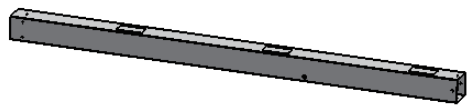
S4

16# 1X

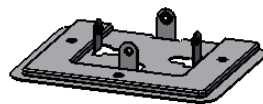




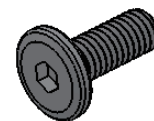
A3 1X



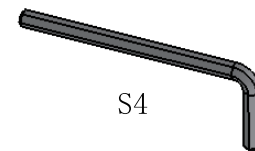
A4 1X



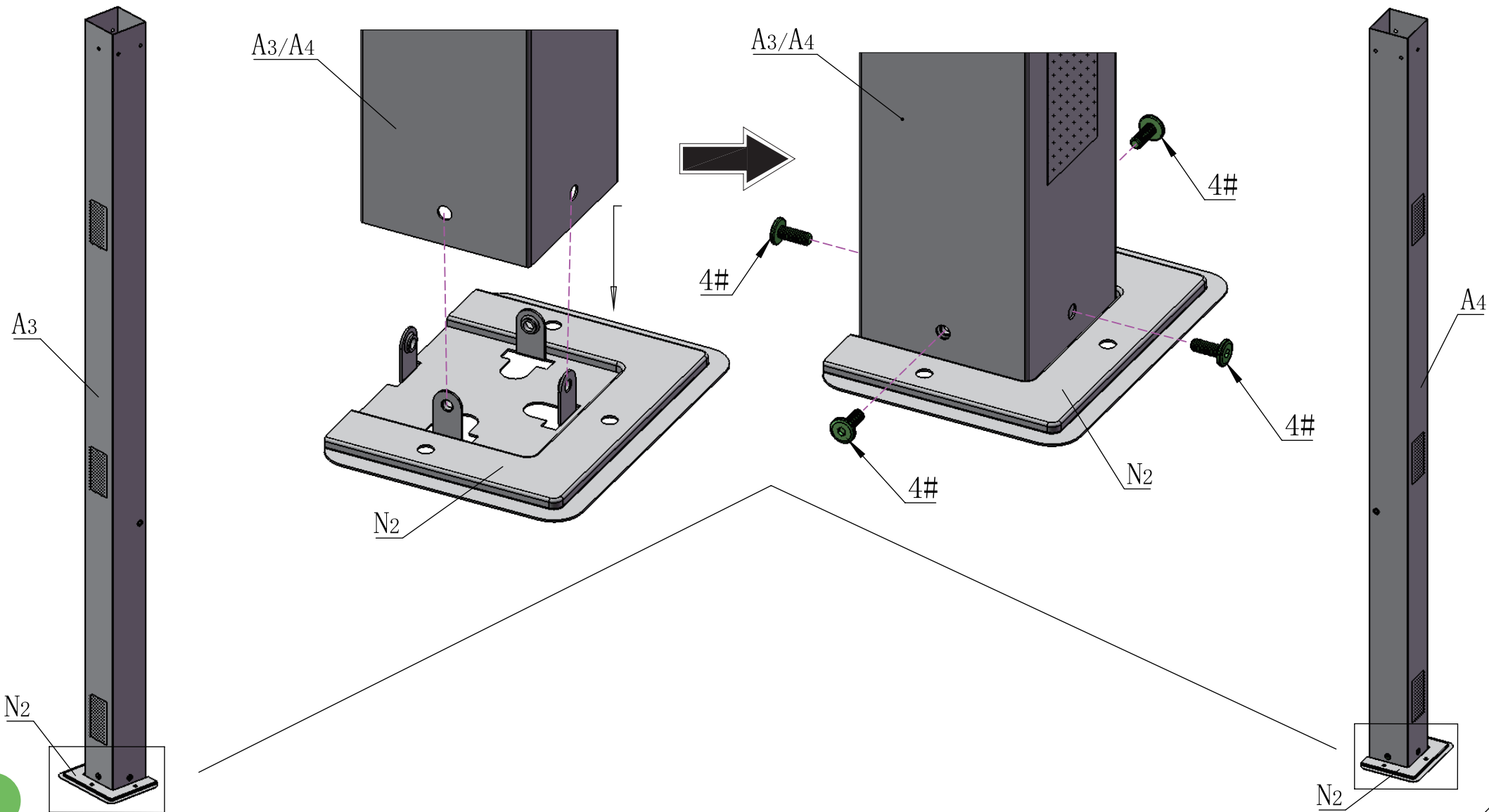
N2 2X

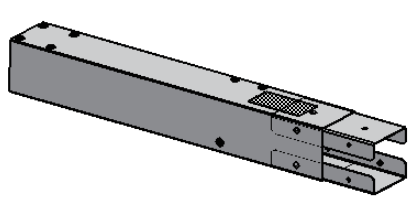


M6*16
4# 8X

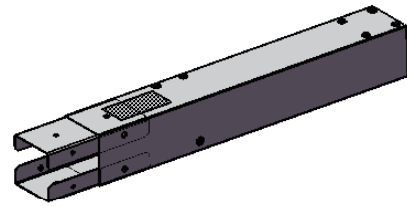


S4
16# 1X

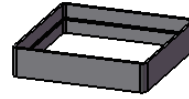




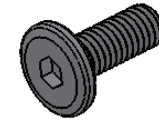
A5 1X



A6 1X

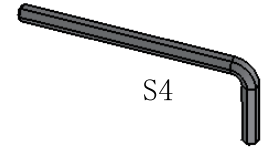


W4 2X



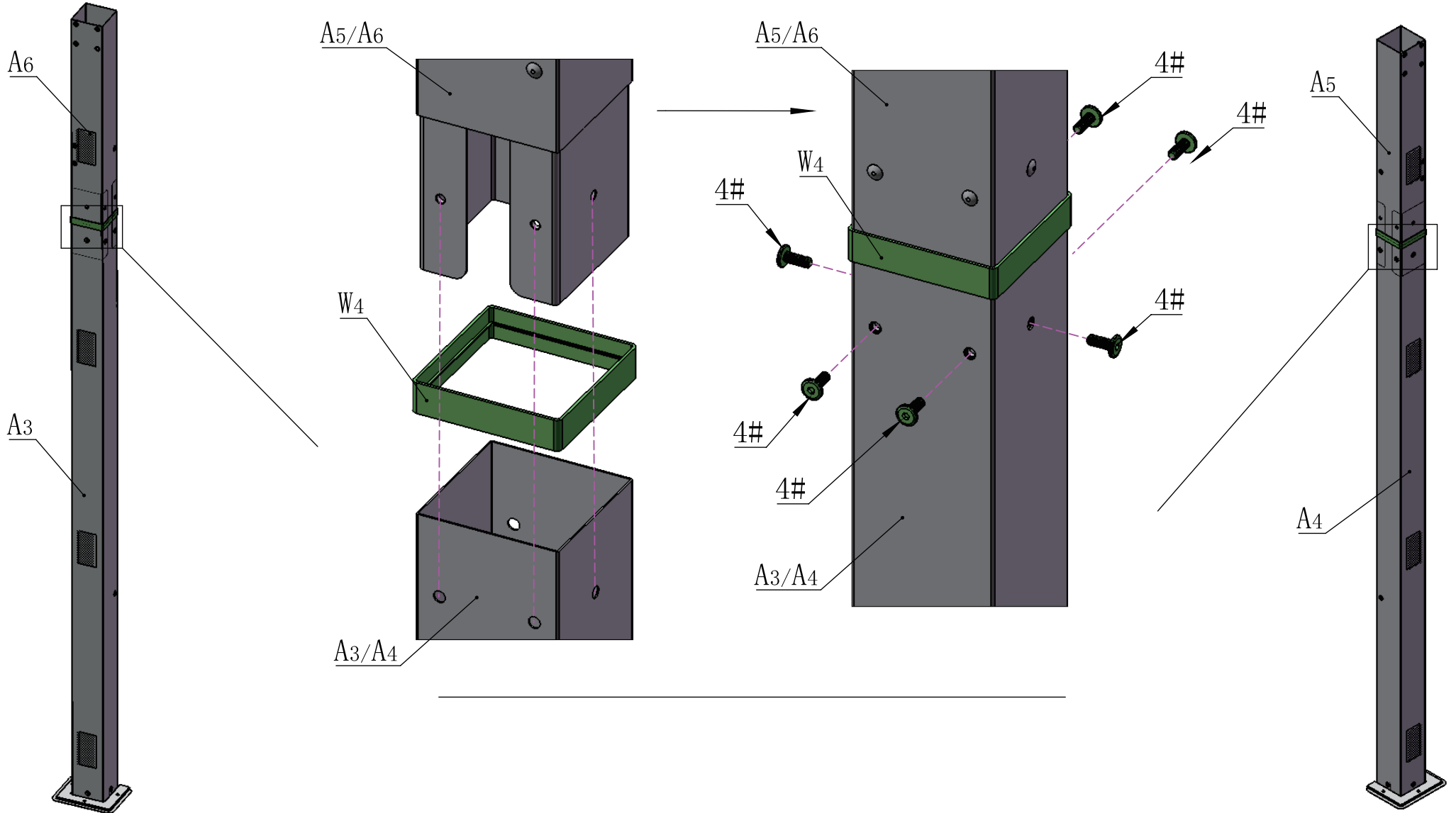
M6*16

4# 12X



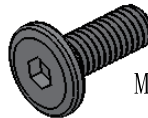
S4

16# 1X



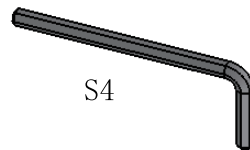


T2 4X



M6*16

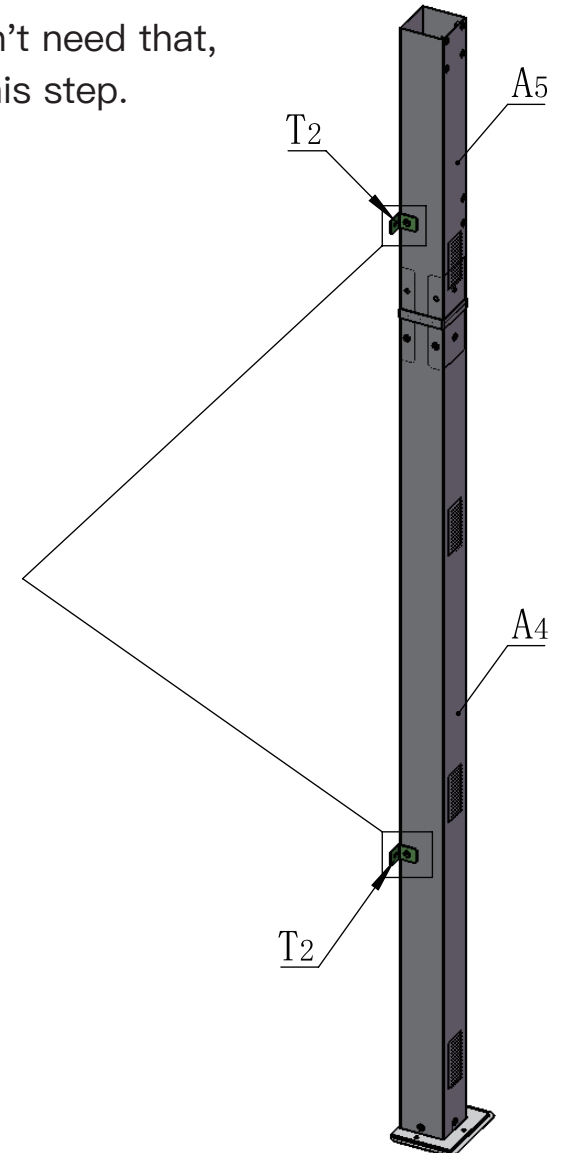
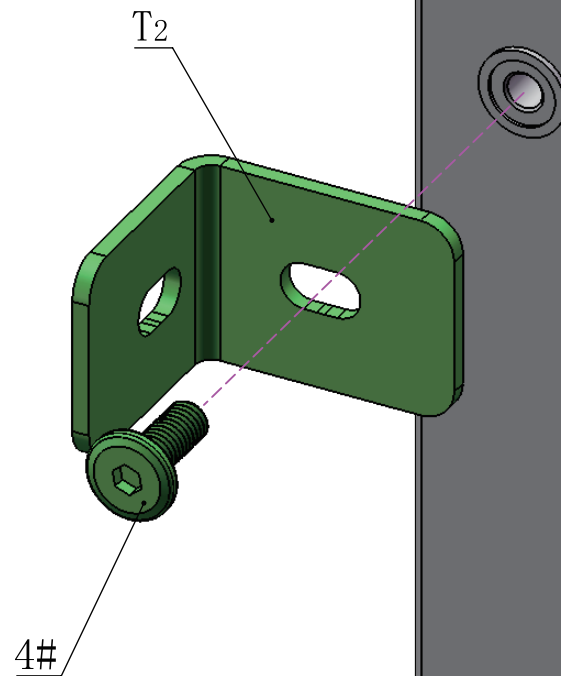
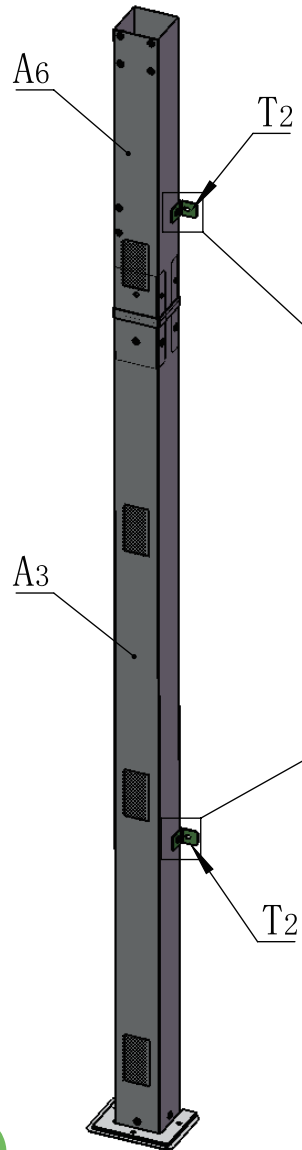
4# 4X



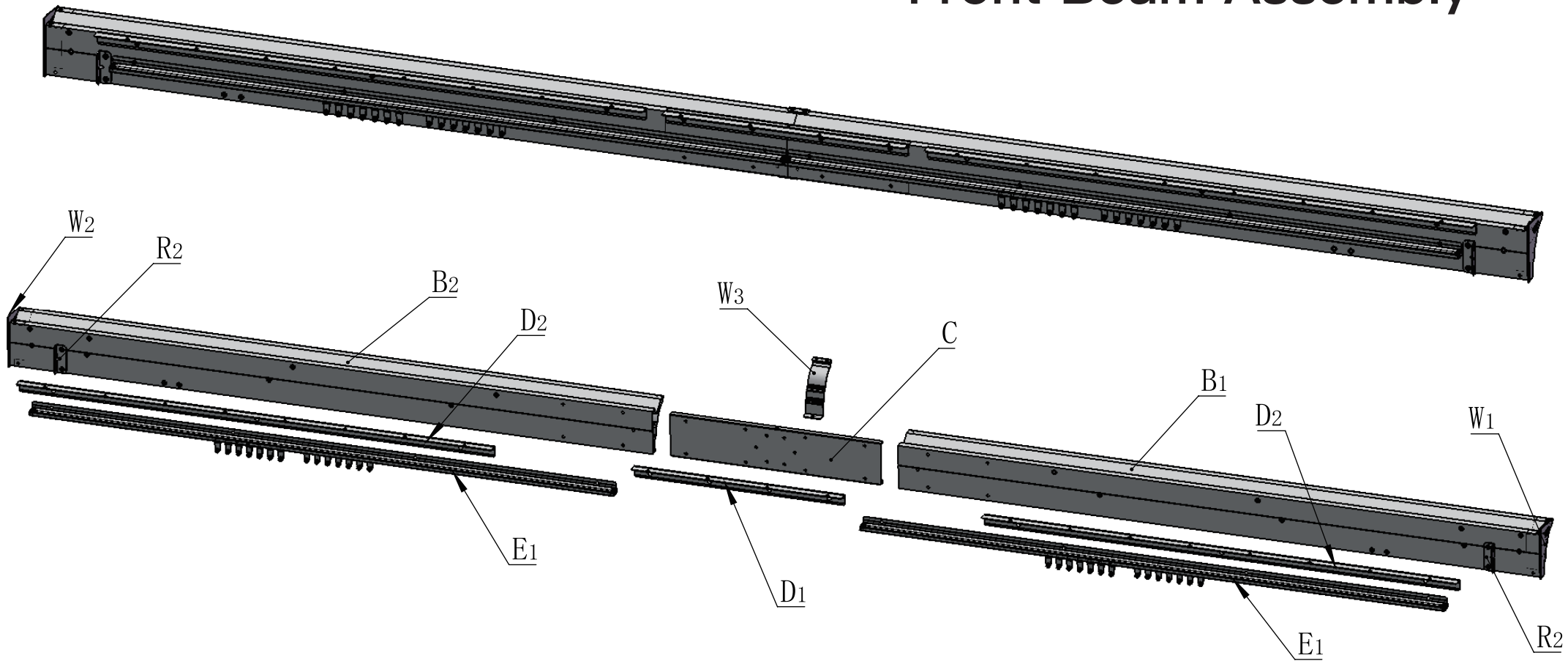
S4

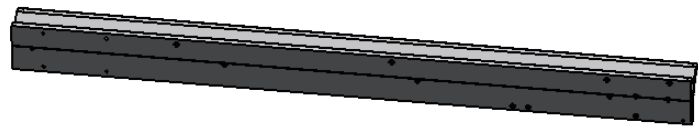
16# 1X

▲ The bracket #2 is used to fix the post against the wall. If you don't need that, please retain for future use. If you don't need this, please skip this step.

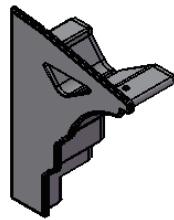


Front Beam Assembly



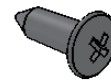


B1 1X

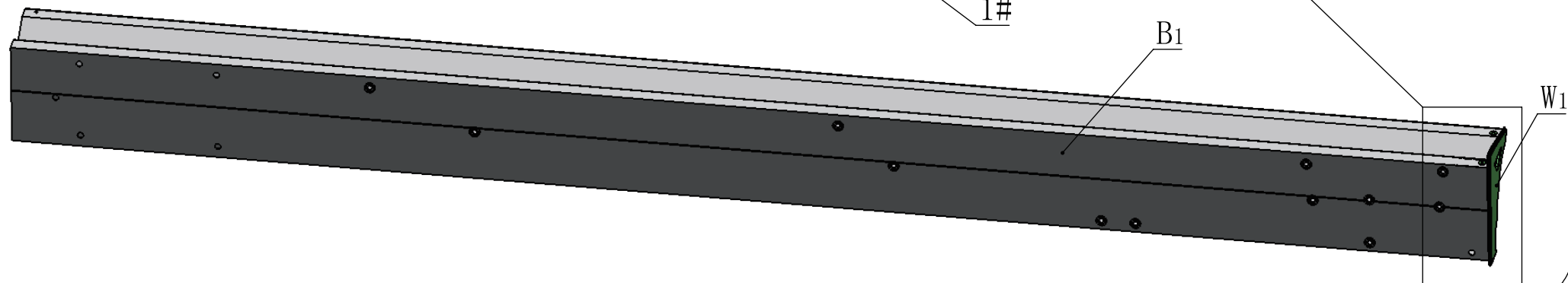
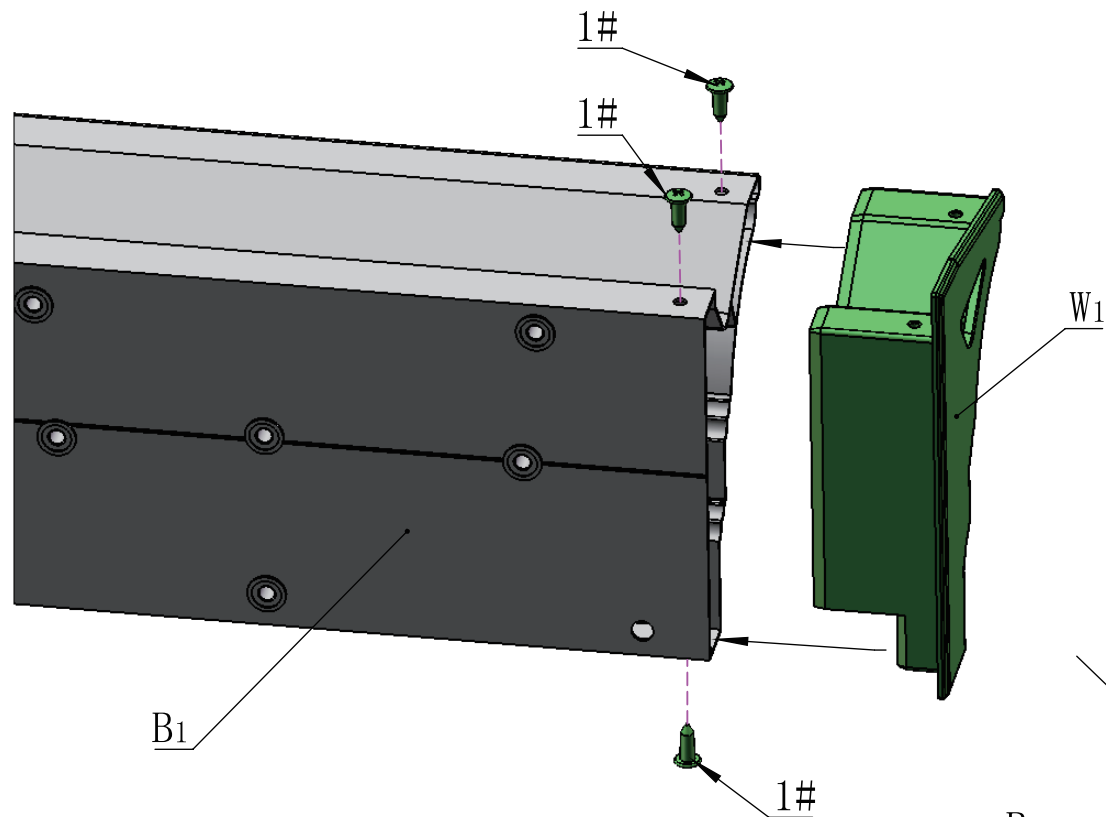


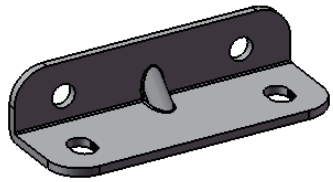
W1 1X

ST4. 8*13

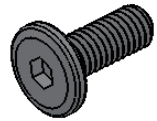


1# 3X



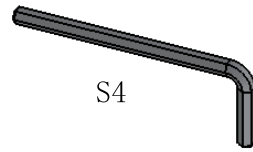


R2 1X



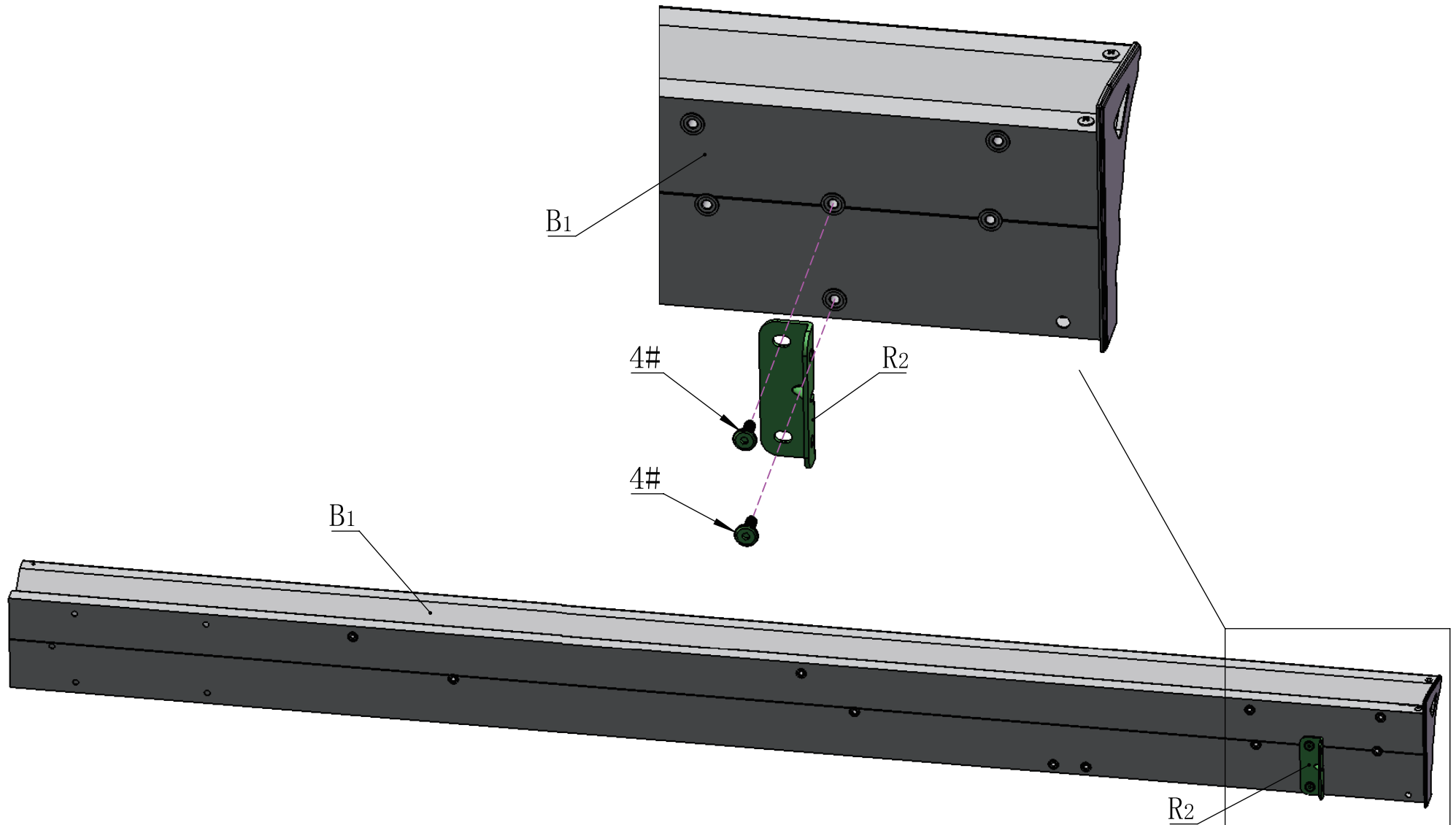
M6*16

4# 2X



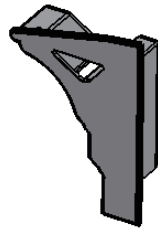
S4

16# 1X



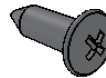


B2 1X

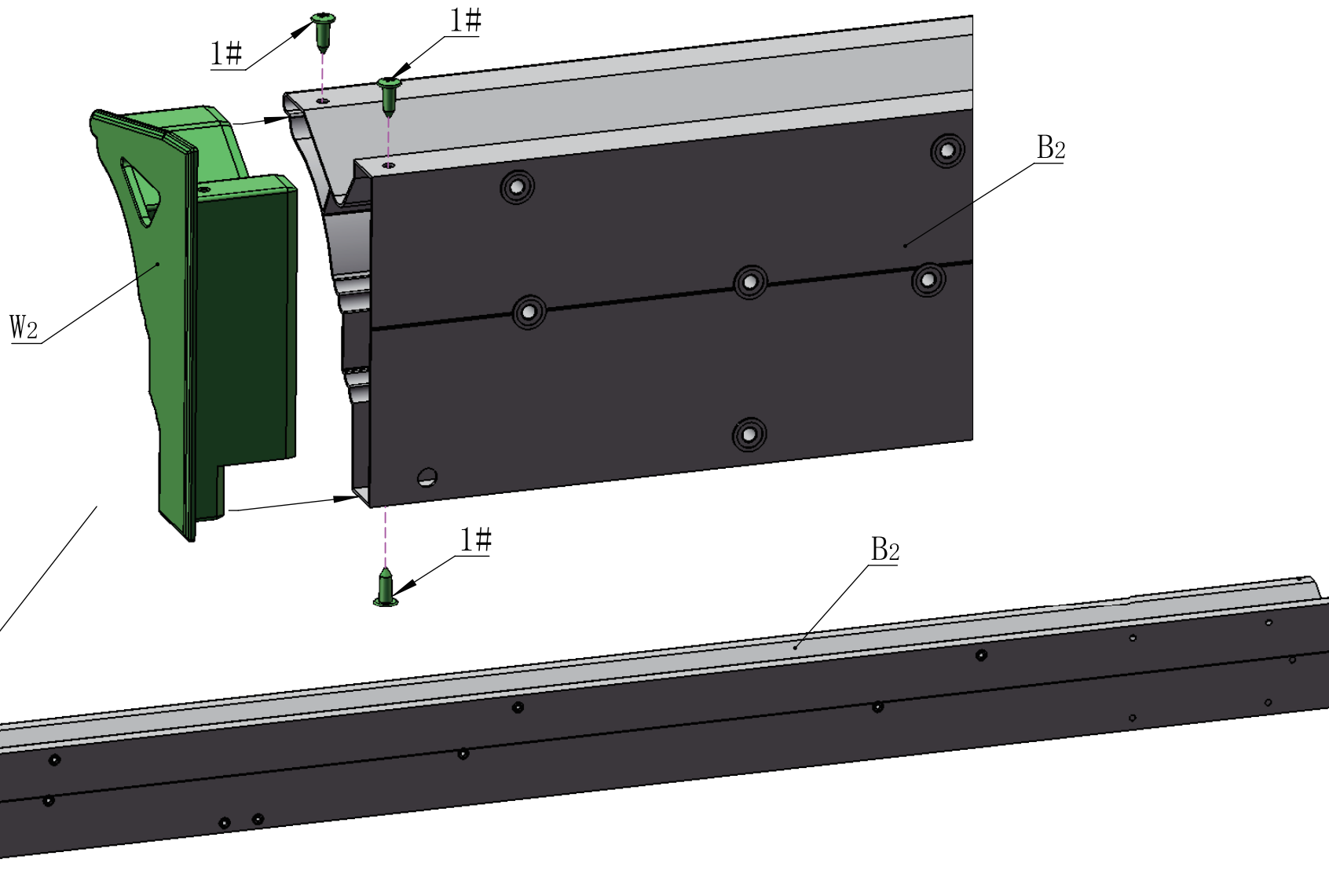


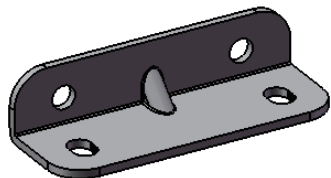
W2 1X

ST4.8*13

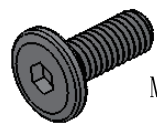


1# 3X



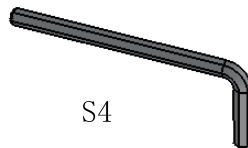


R2 1X



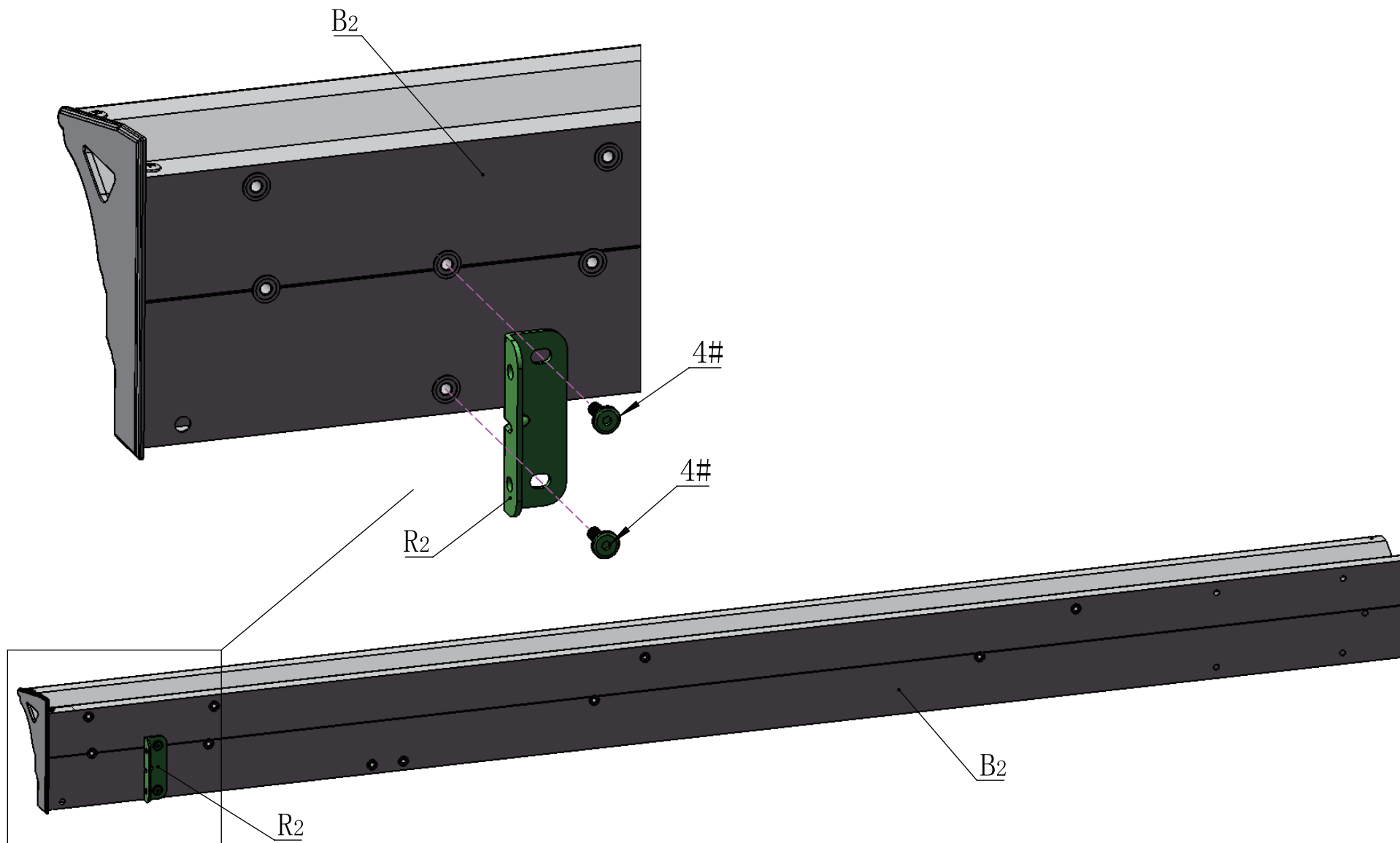
M6*16

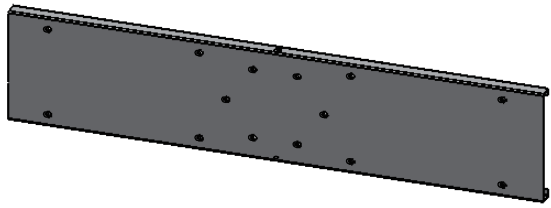
4# 2X



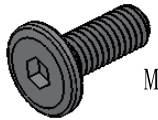
S4

16# 1X



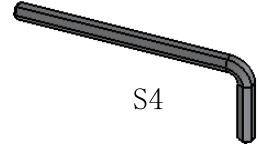


C 1X



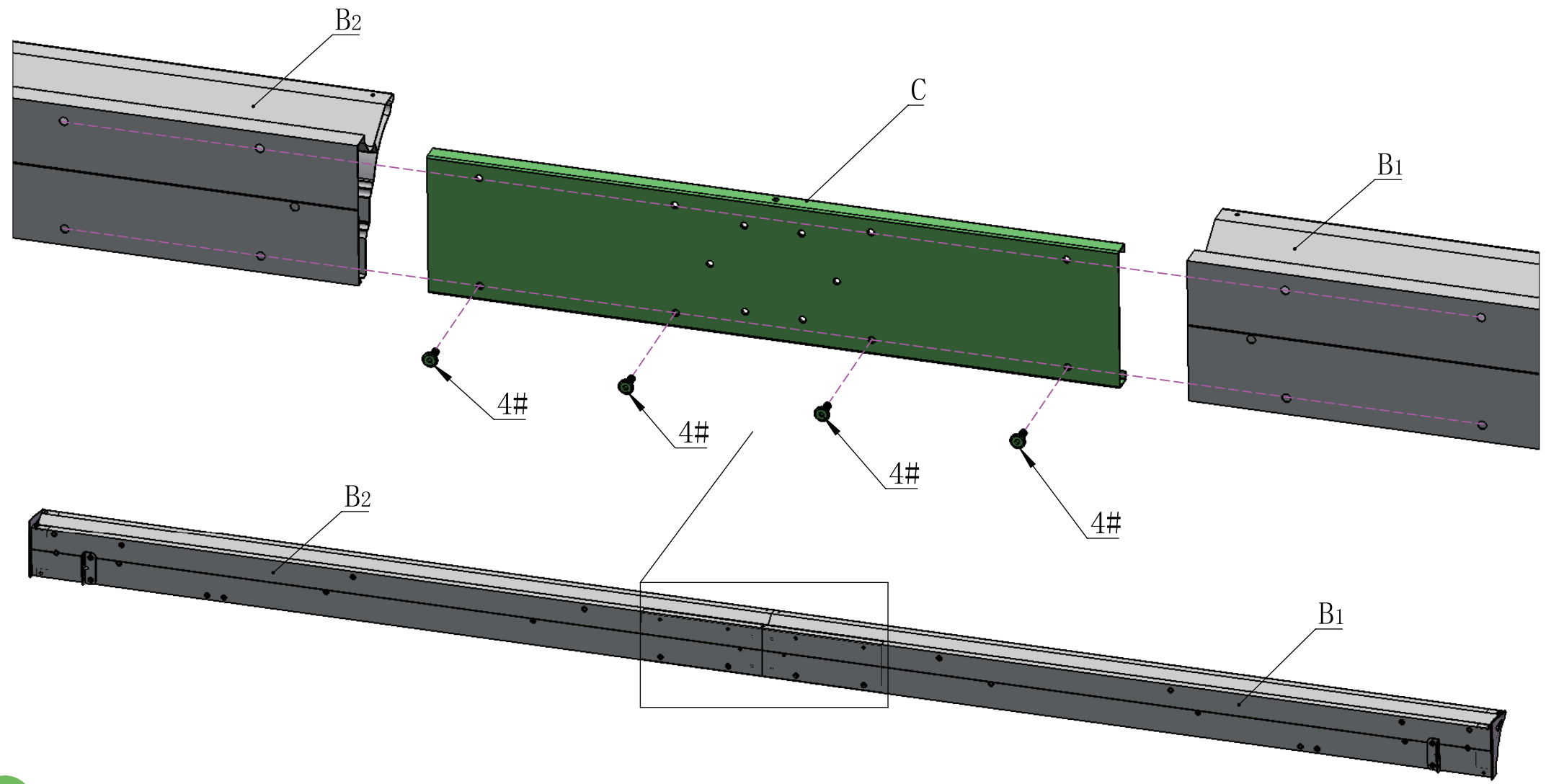
M6*16

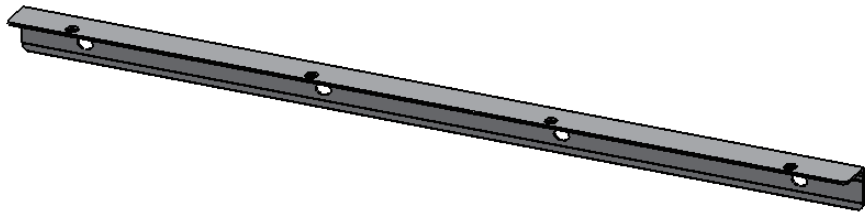
4# 4X



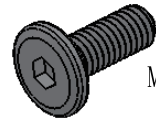
S4

16# 1X



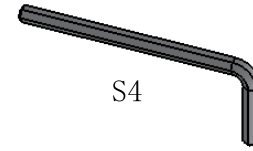


D1 1X



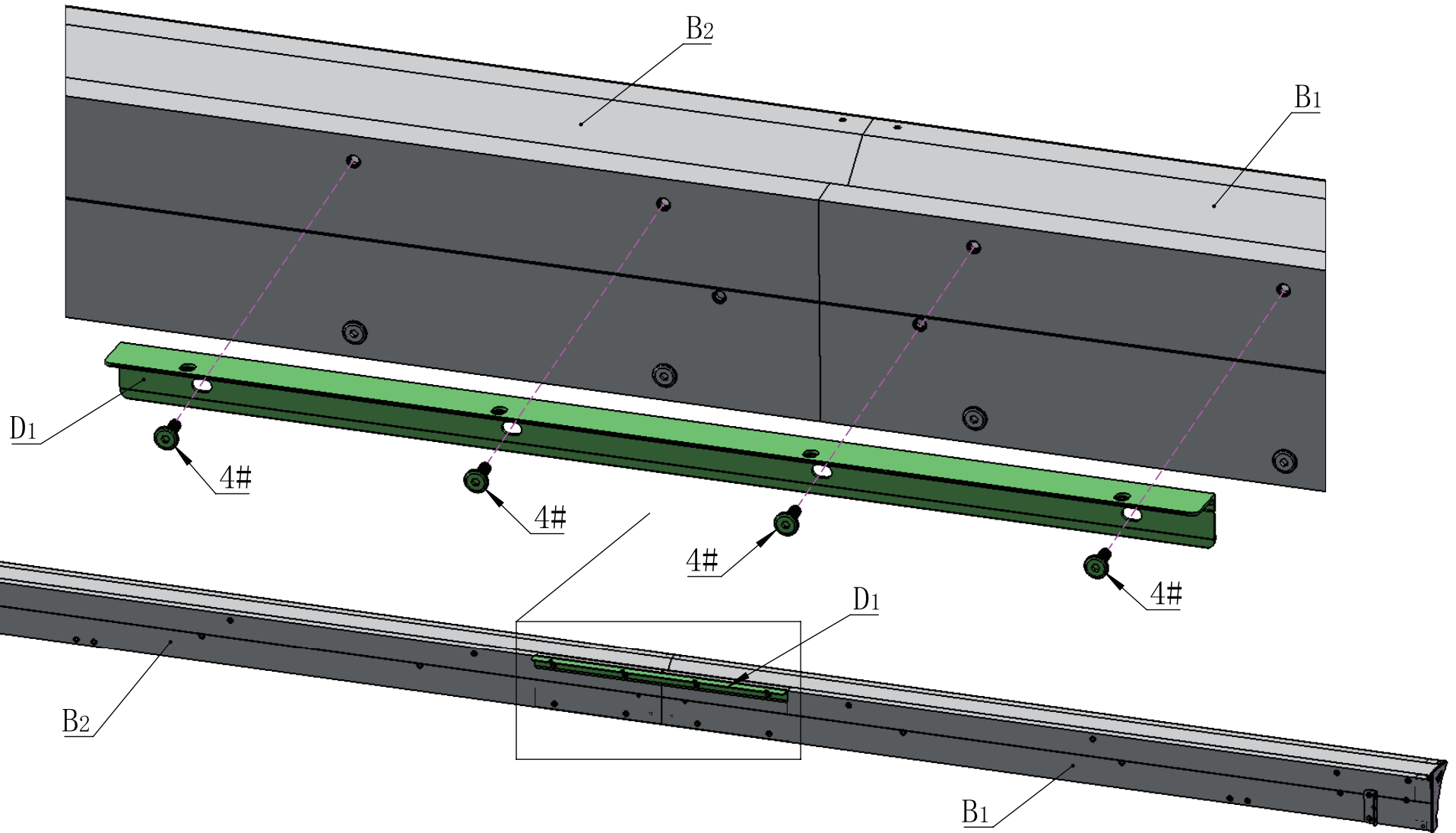
M6*16

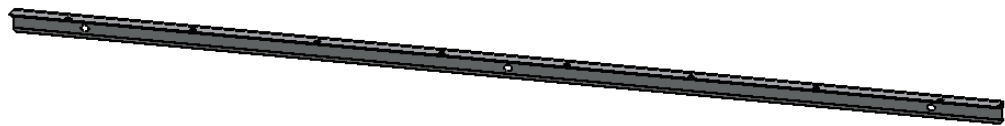
4# 4X



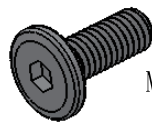
S4

16# 1X



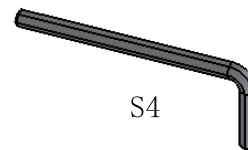


D2 2X



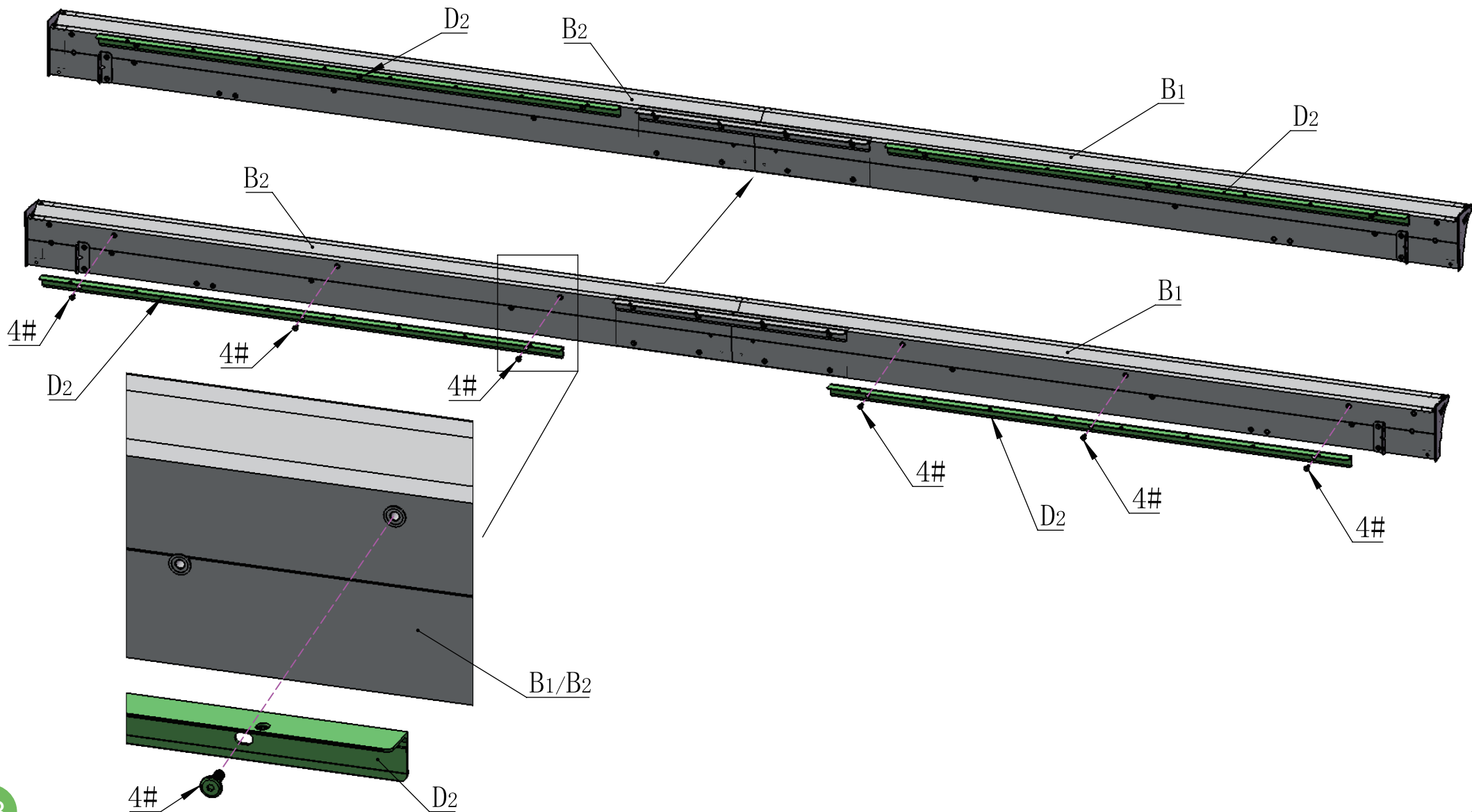
M6*16

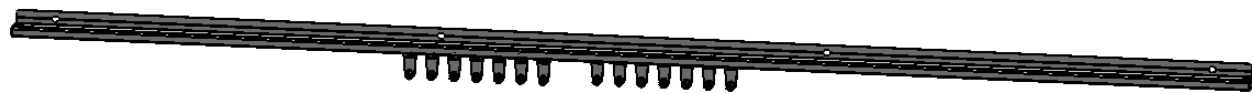
4# 6X



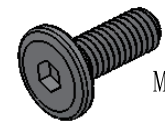
S4

16# 1X

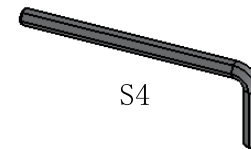




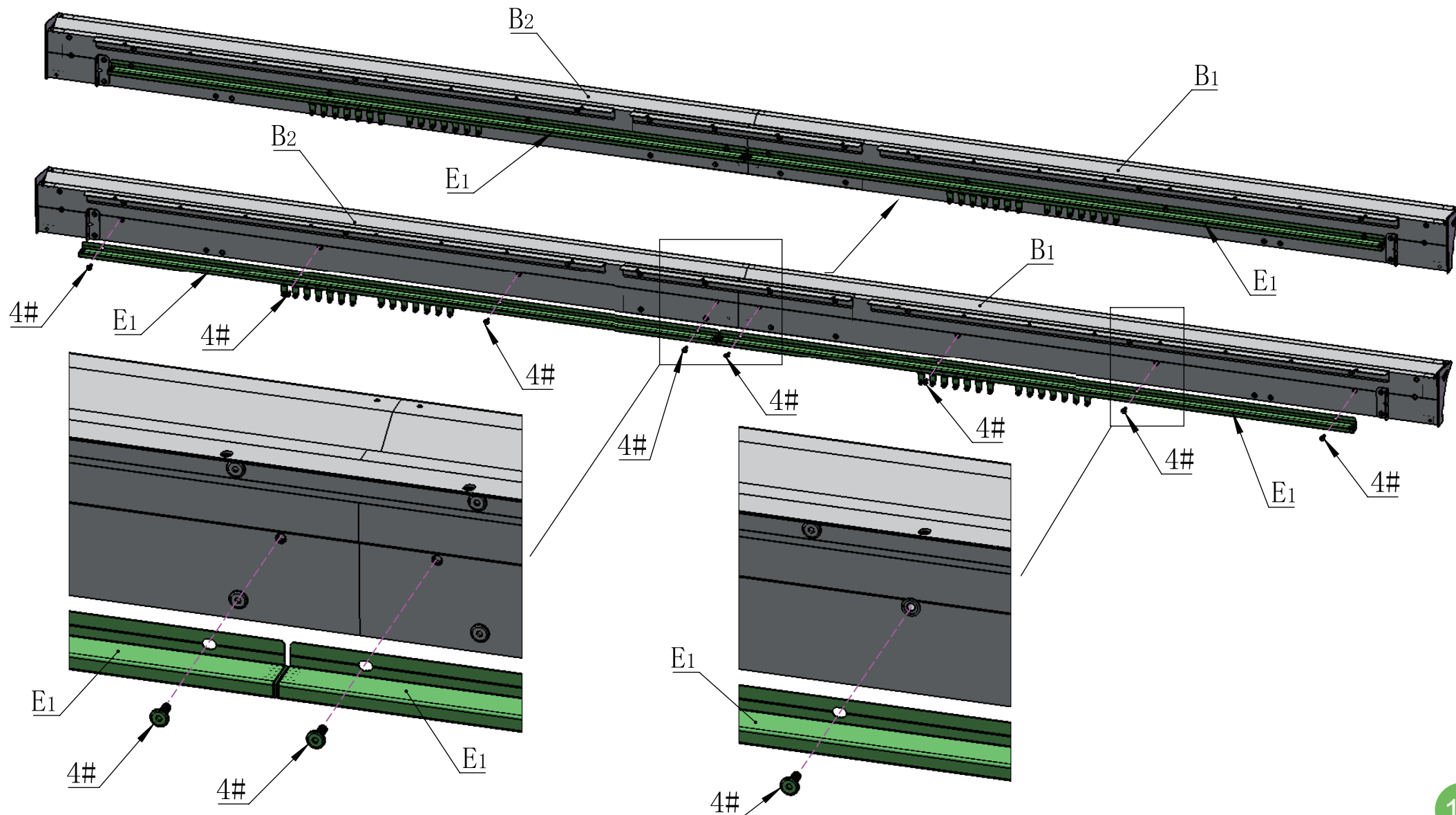
E1 2X

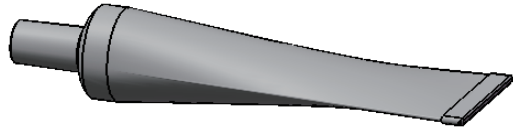


4# 8X



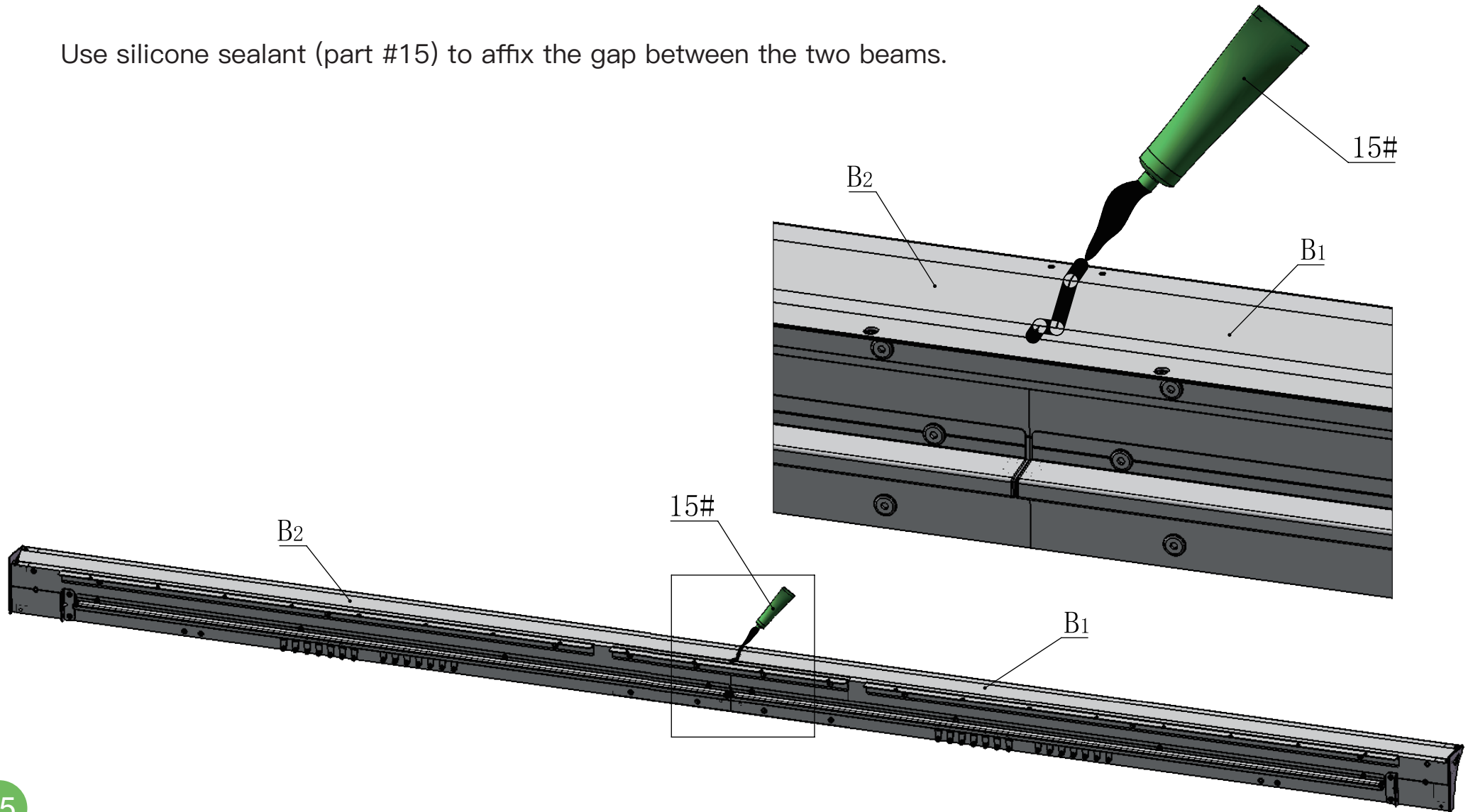
16# 1X

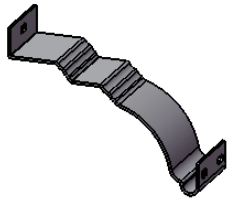




15# 1X

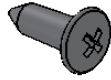
Use silicone sealant (part #15) to affix the gap between the two beams.





W3 1X

ST4. 8*13

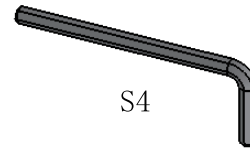


1# 2X



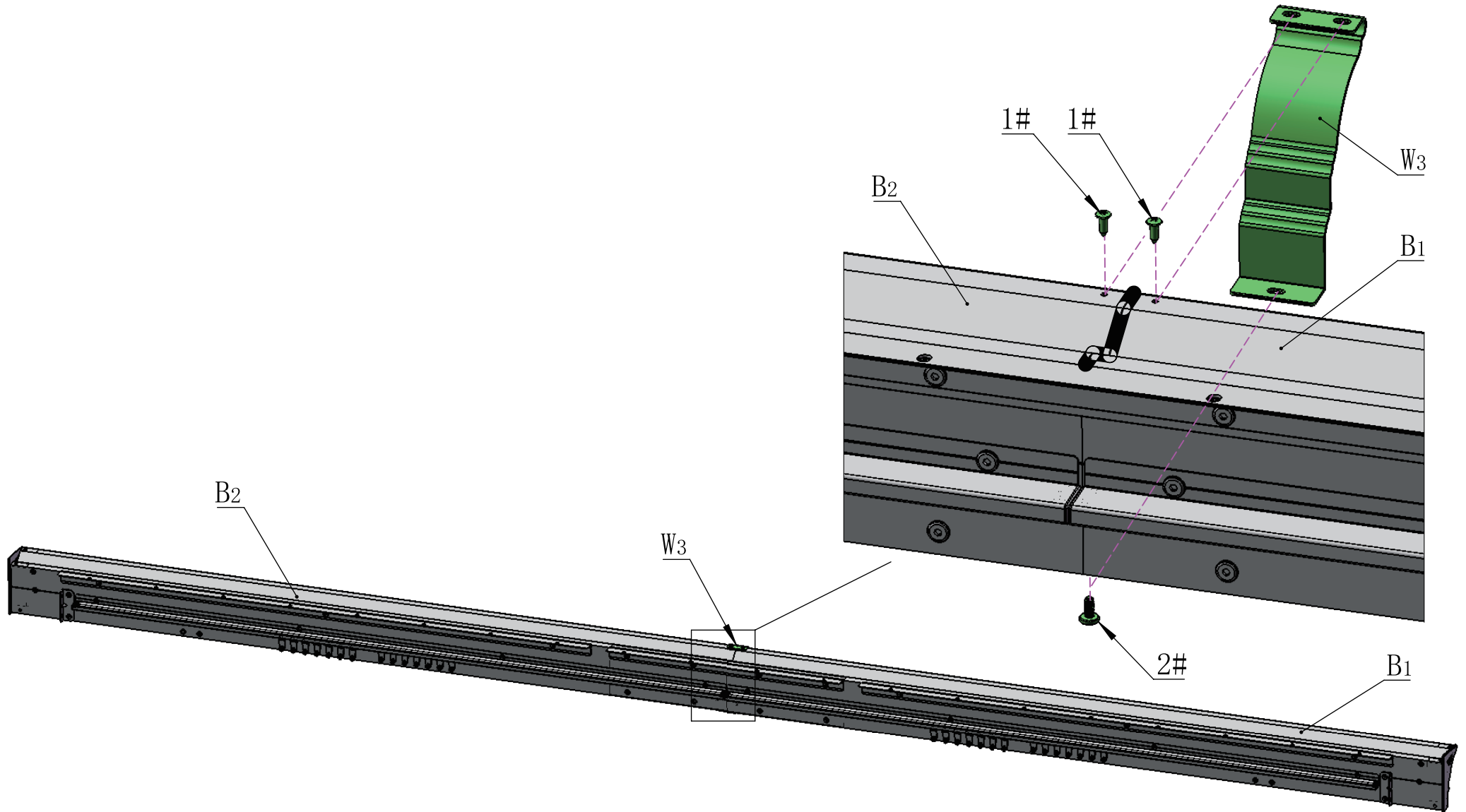
M5*12

2# 1X

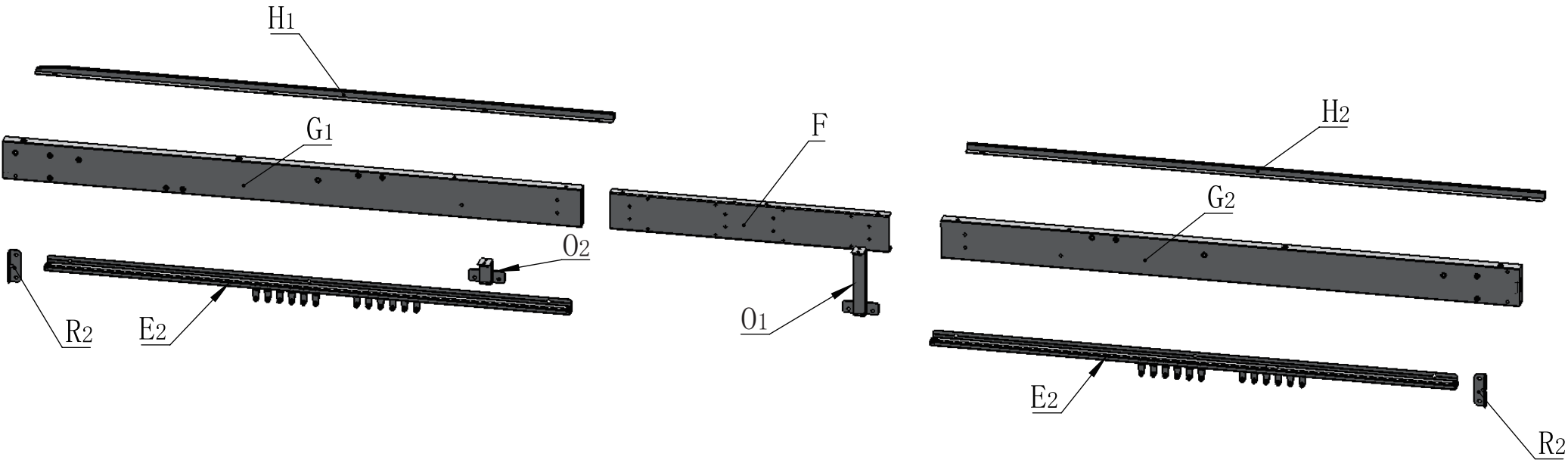
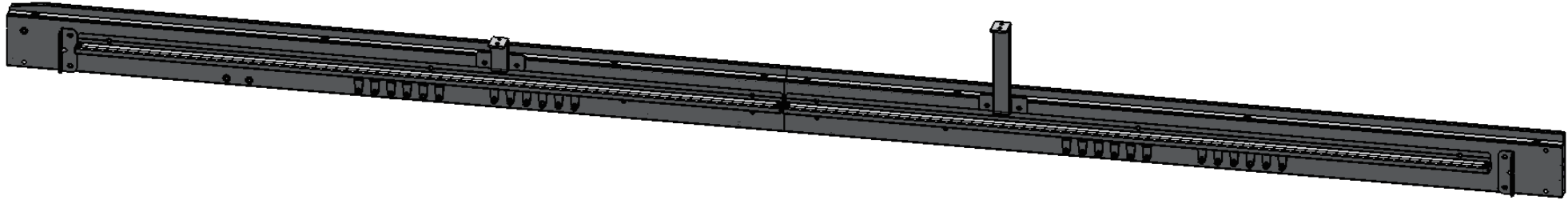


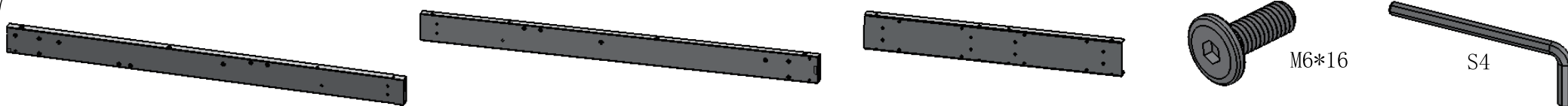
S4

16# 1X



Side Beam Assembly





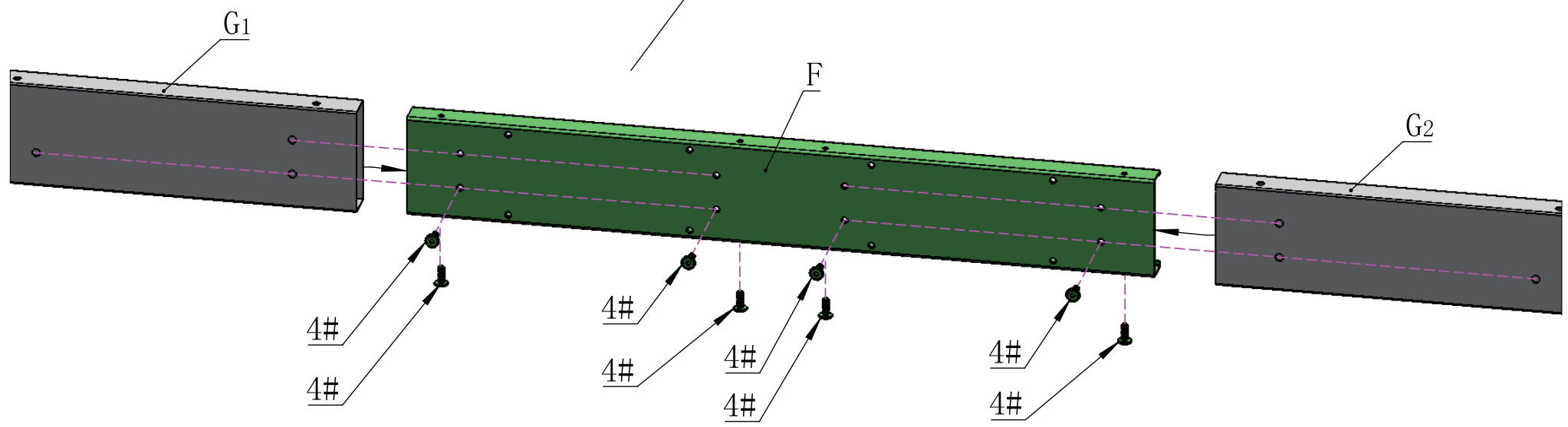
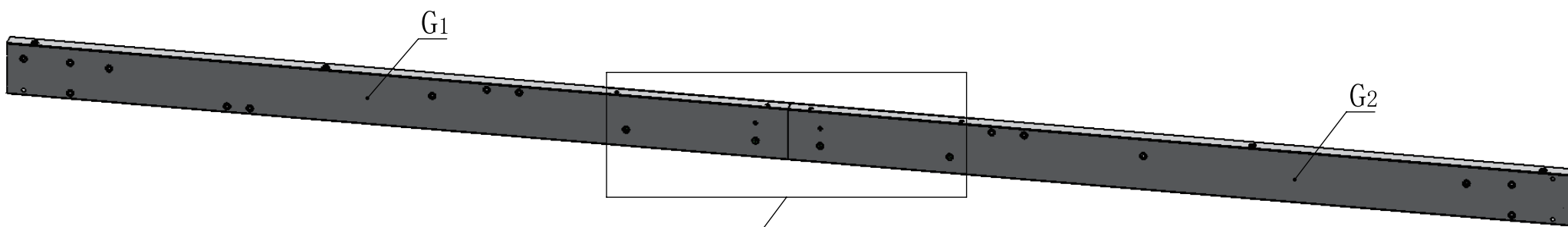
G1 1X

G2 1X

F 1X

4# 8X

16# 1X

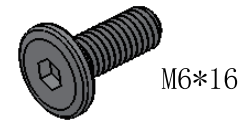




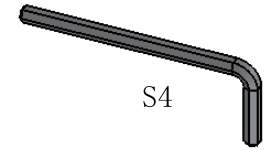
H1 1X



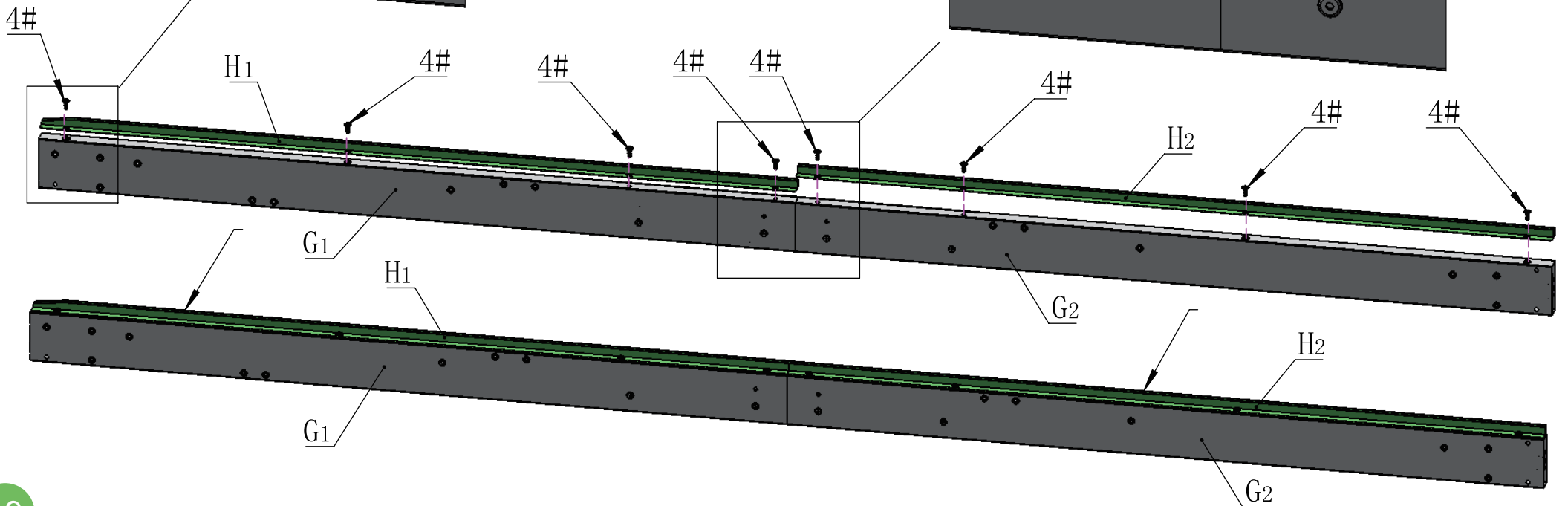
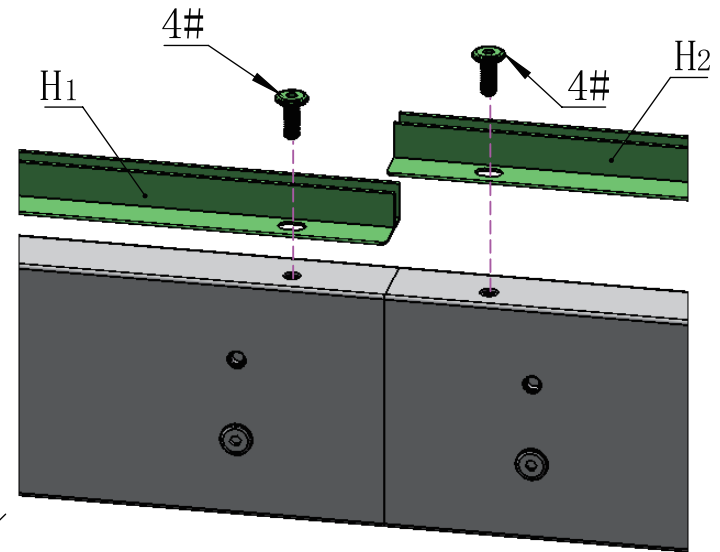
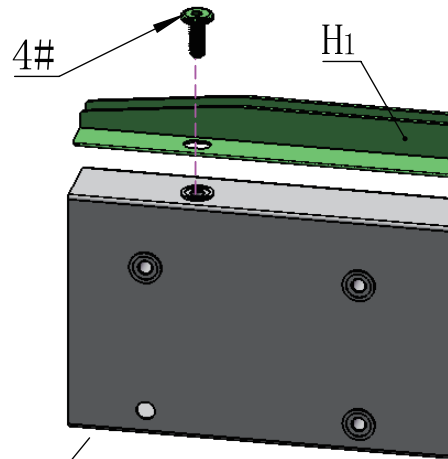
H2 1X

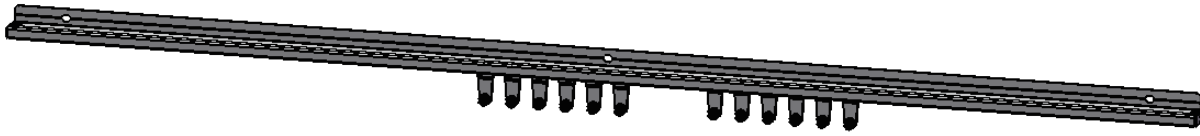


4# 8X

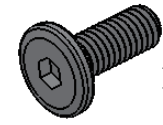


16# 1X



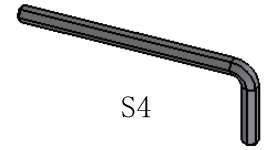


E2 2X



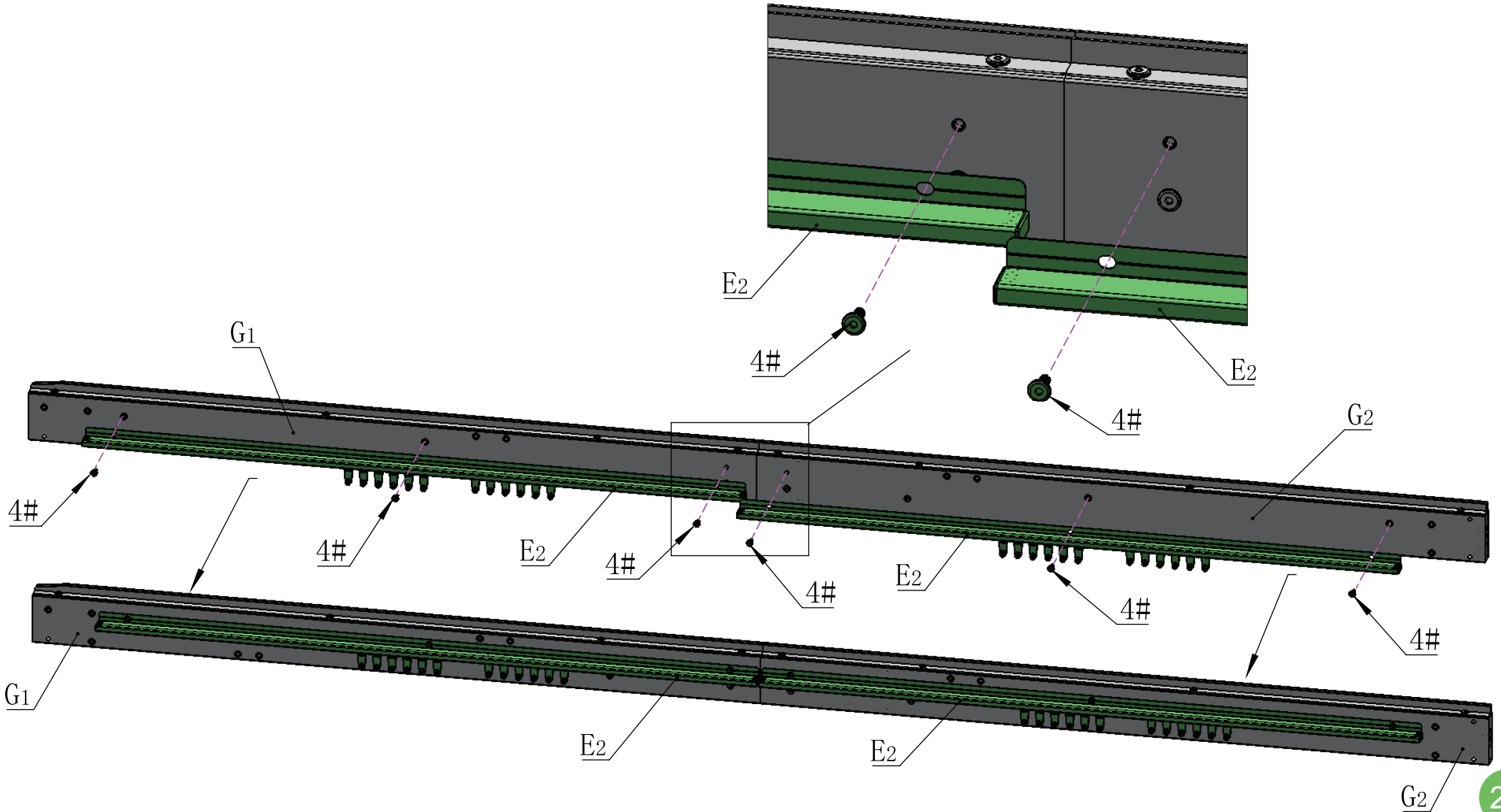
M6*16

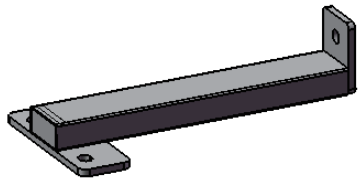
4# 6X



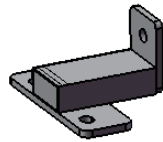
S4

16# 1X

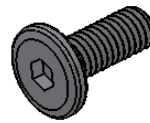




01 1X

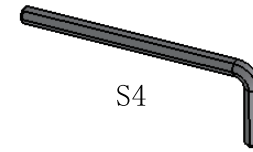


02 1X



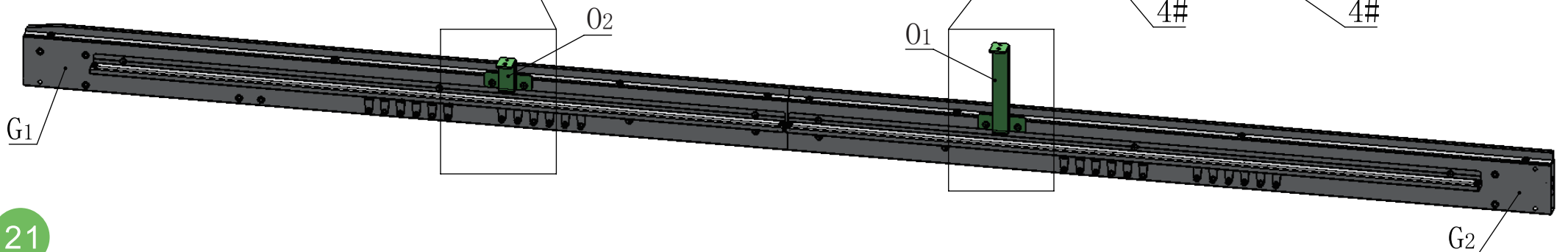
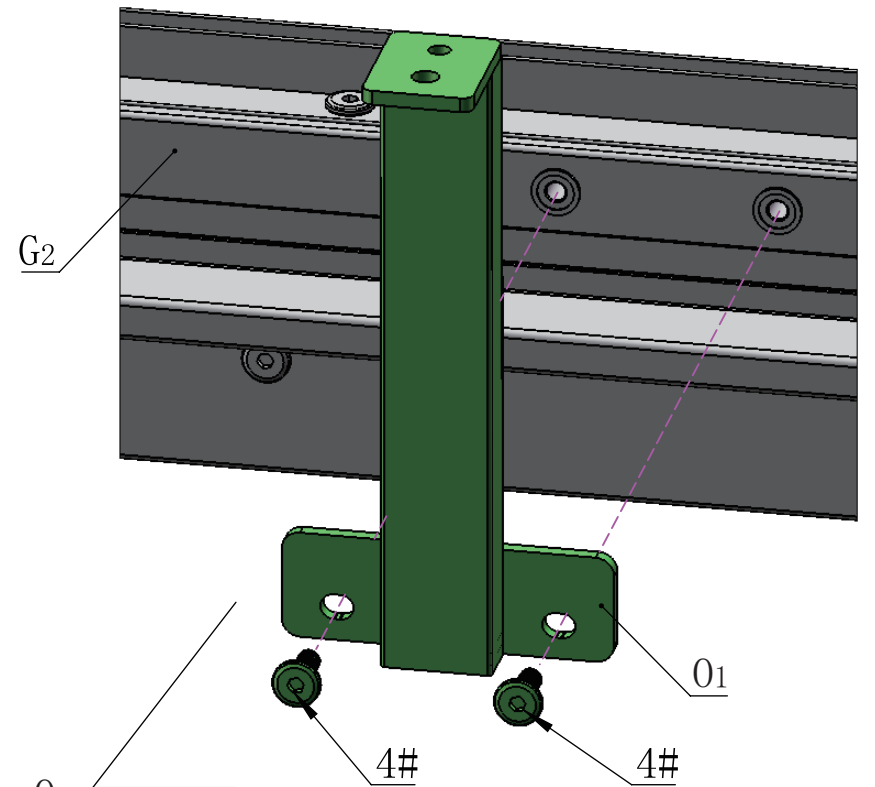
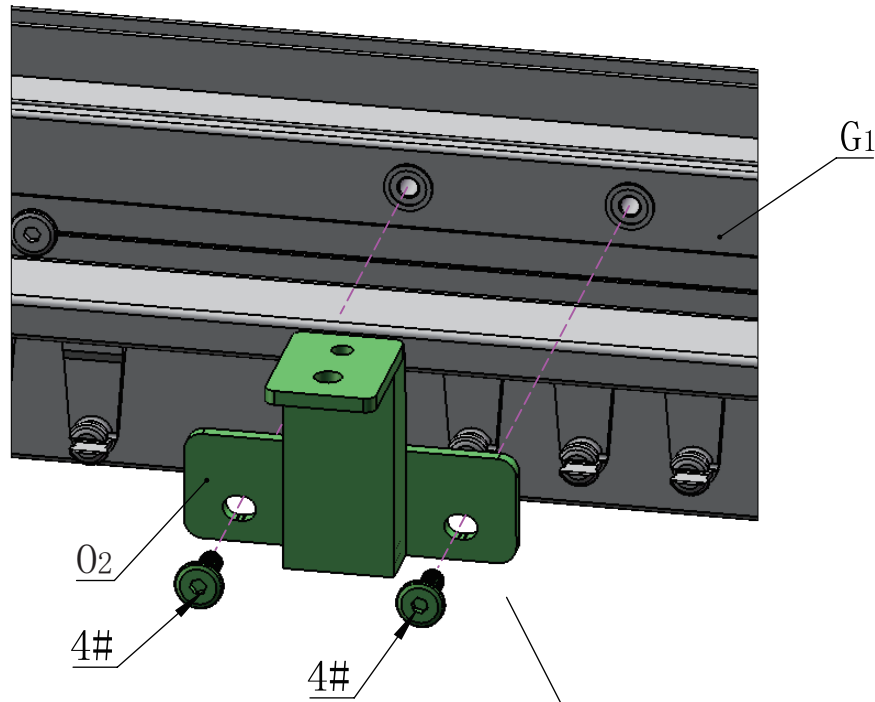
M6*16

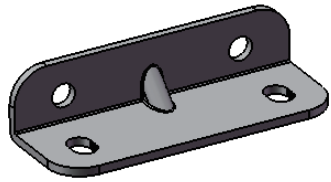
4# 4X



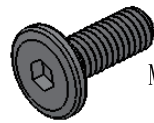
S4

16# 1X



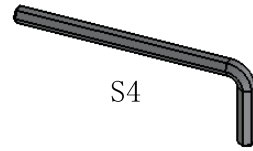


R2 2X



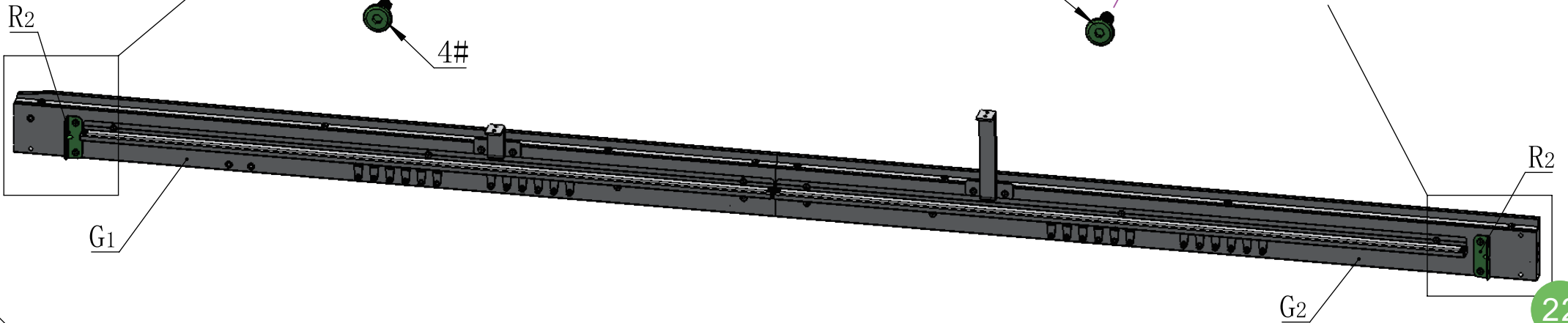
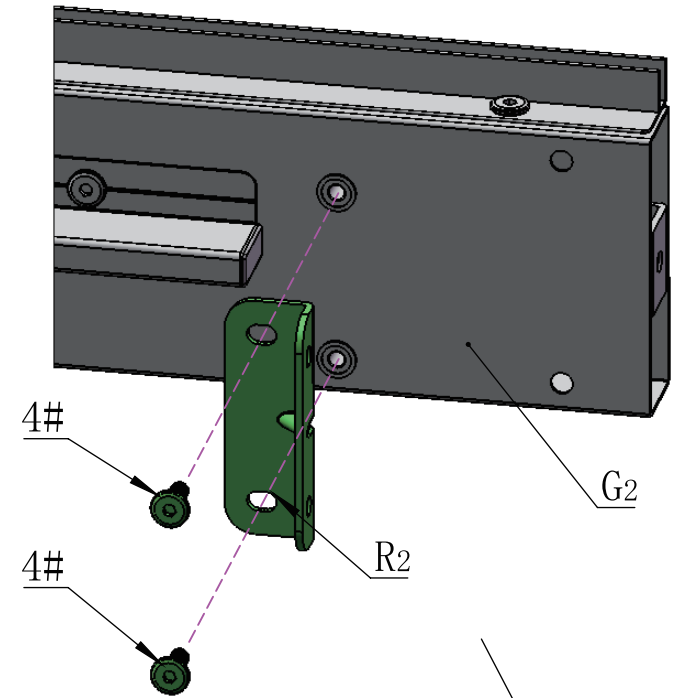
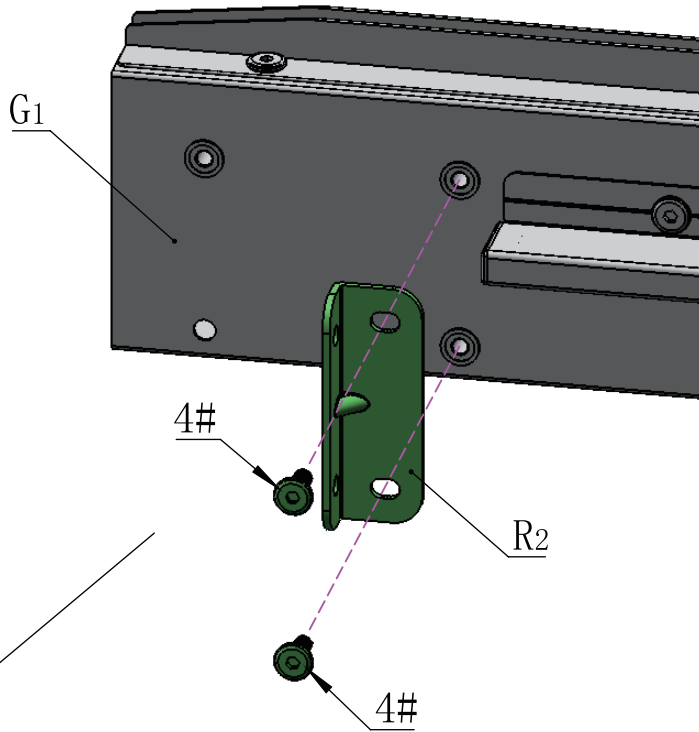
M6*16

4# 4X

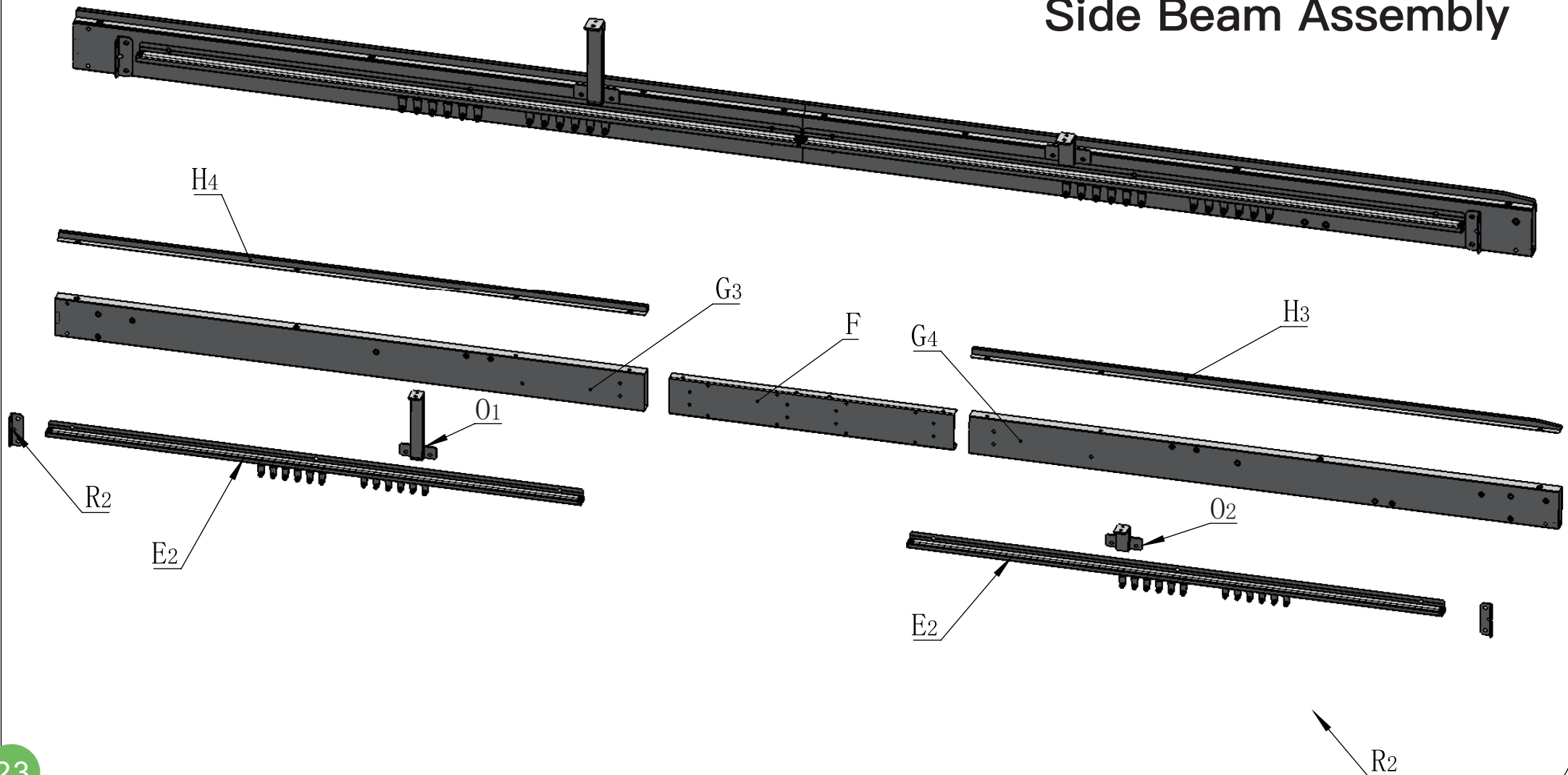


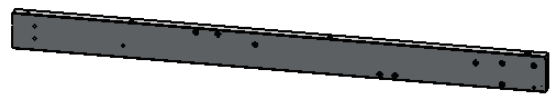
S4

16# 1X

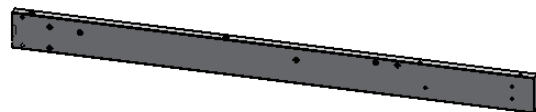


Side Beam Assembly

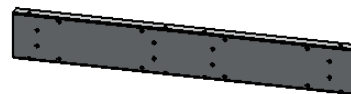




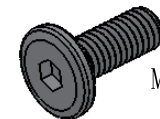
G3 1X



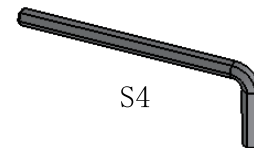
G4 1X



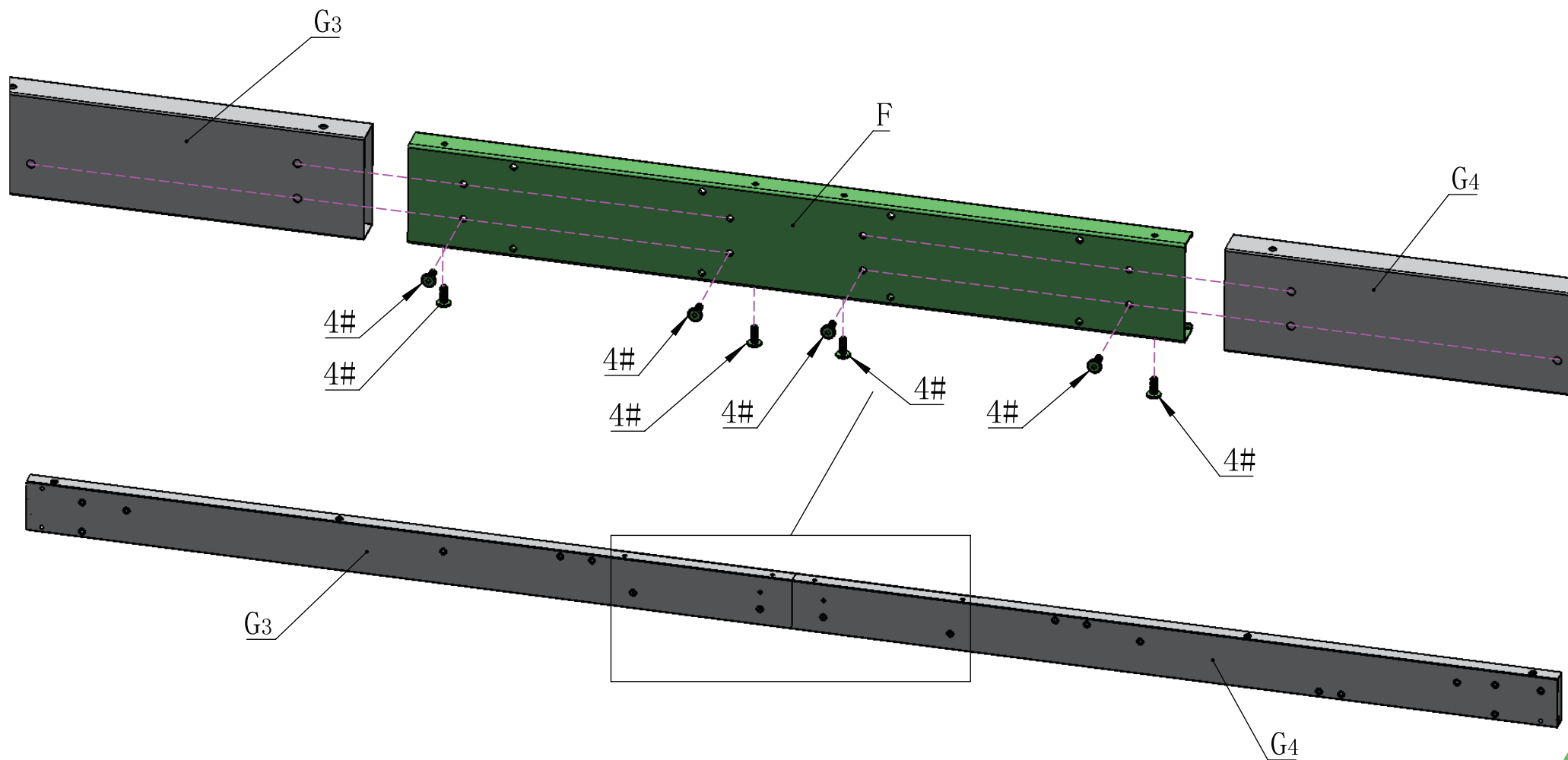
F 1X



4# 8X



16# 1X

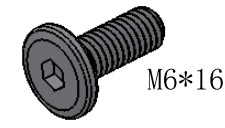




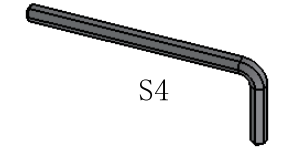
H3 1X



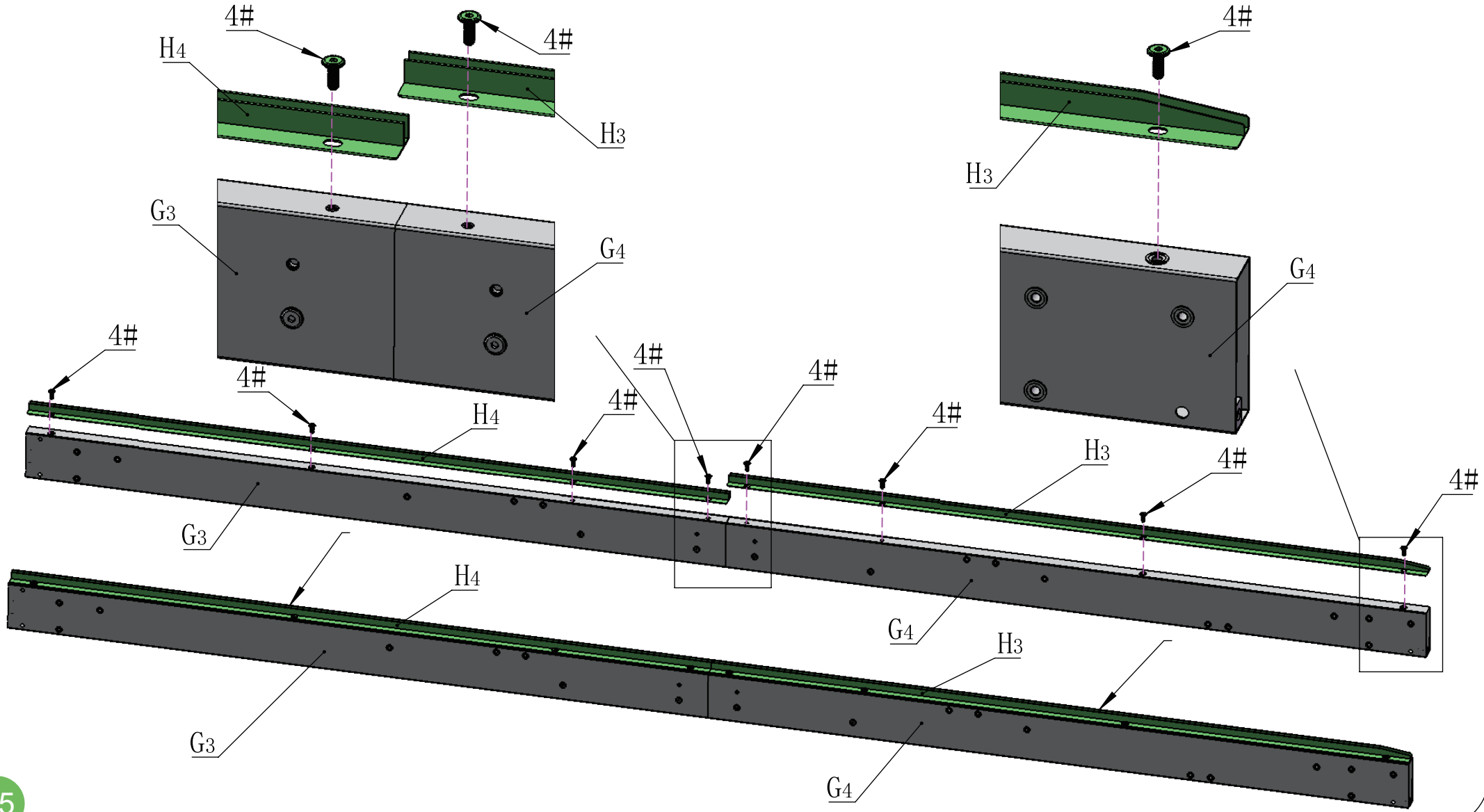
H4 1X

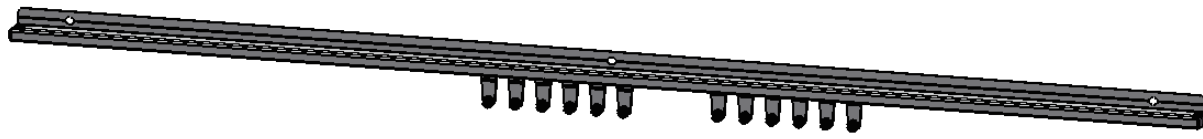


4# 8X

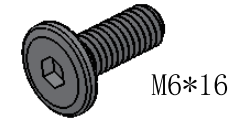


16# 1X

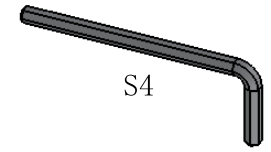




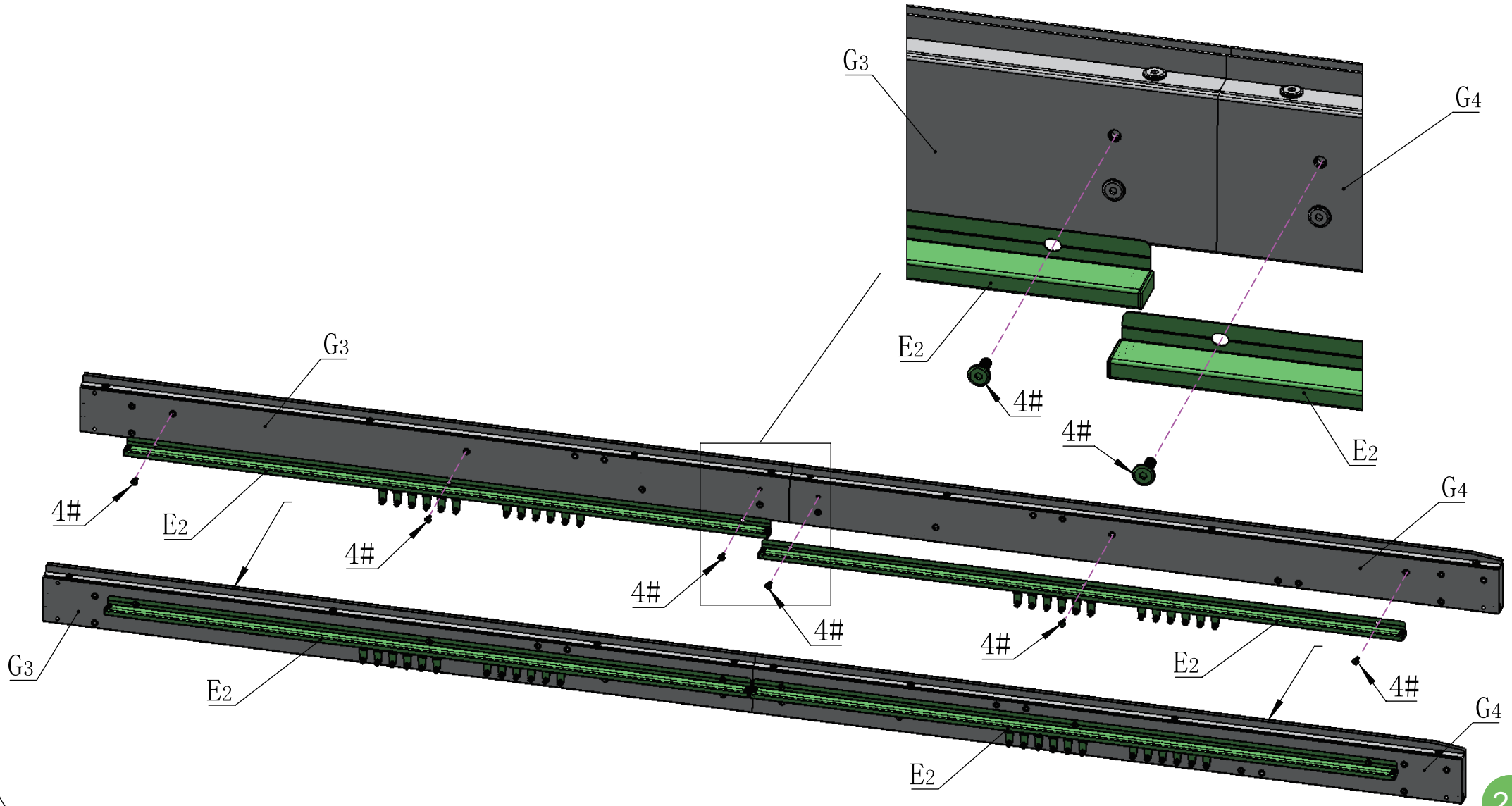
E2 2X

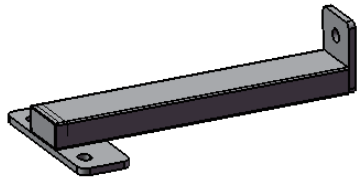


4# 6X

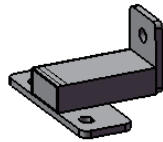


16# 1X

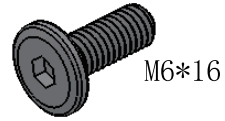




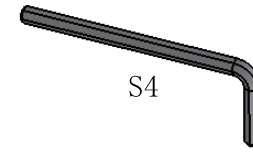
O1 1X



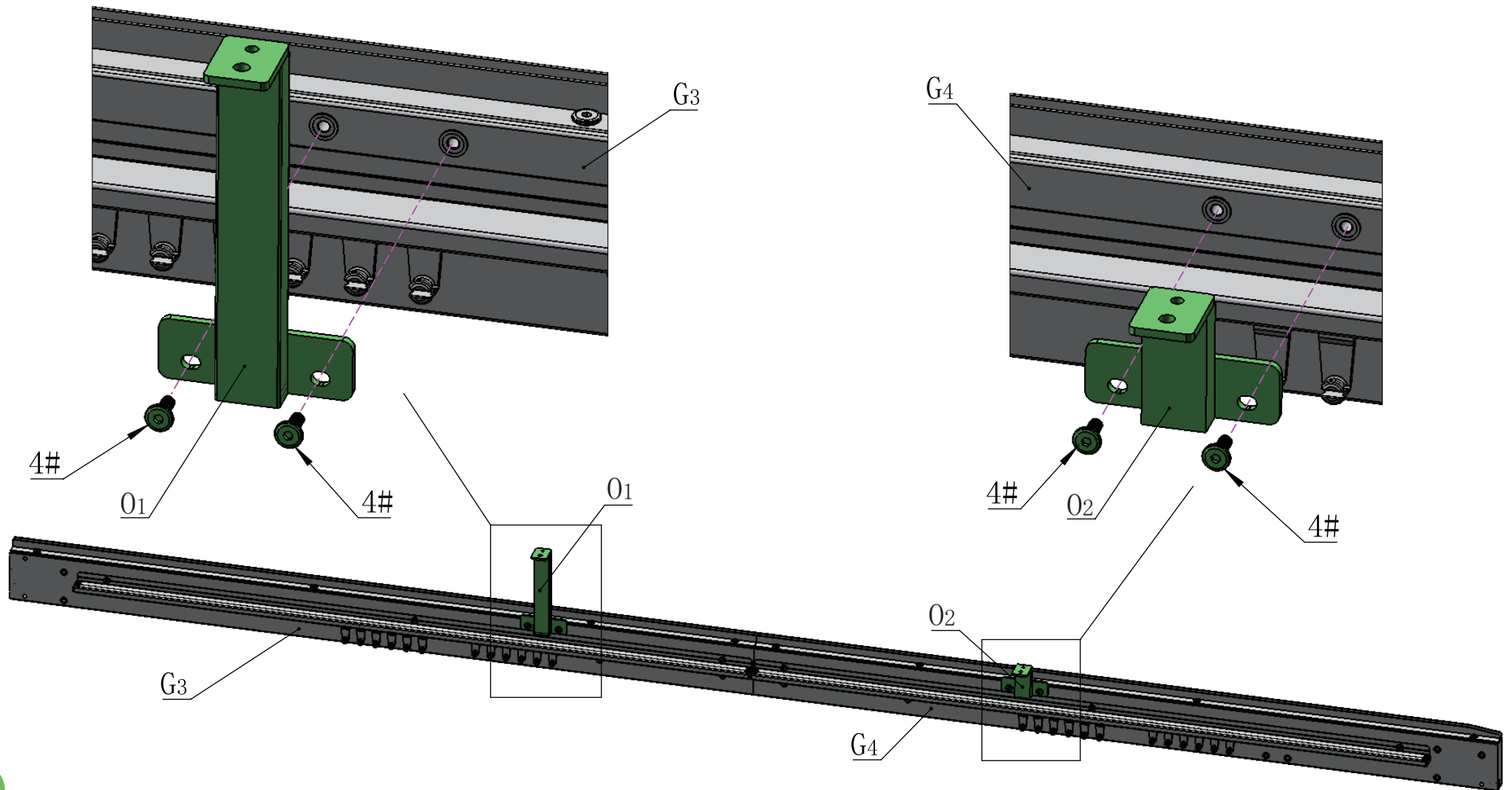
O2 1X

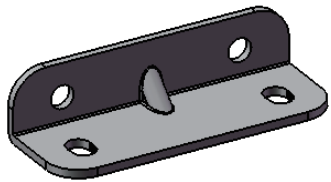


4# 4X

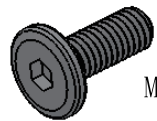


16# 1X



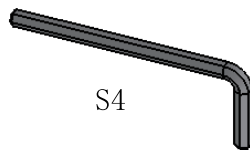


R2 2X



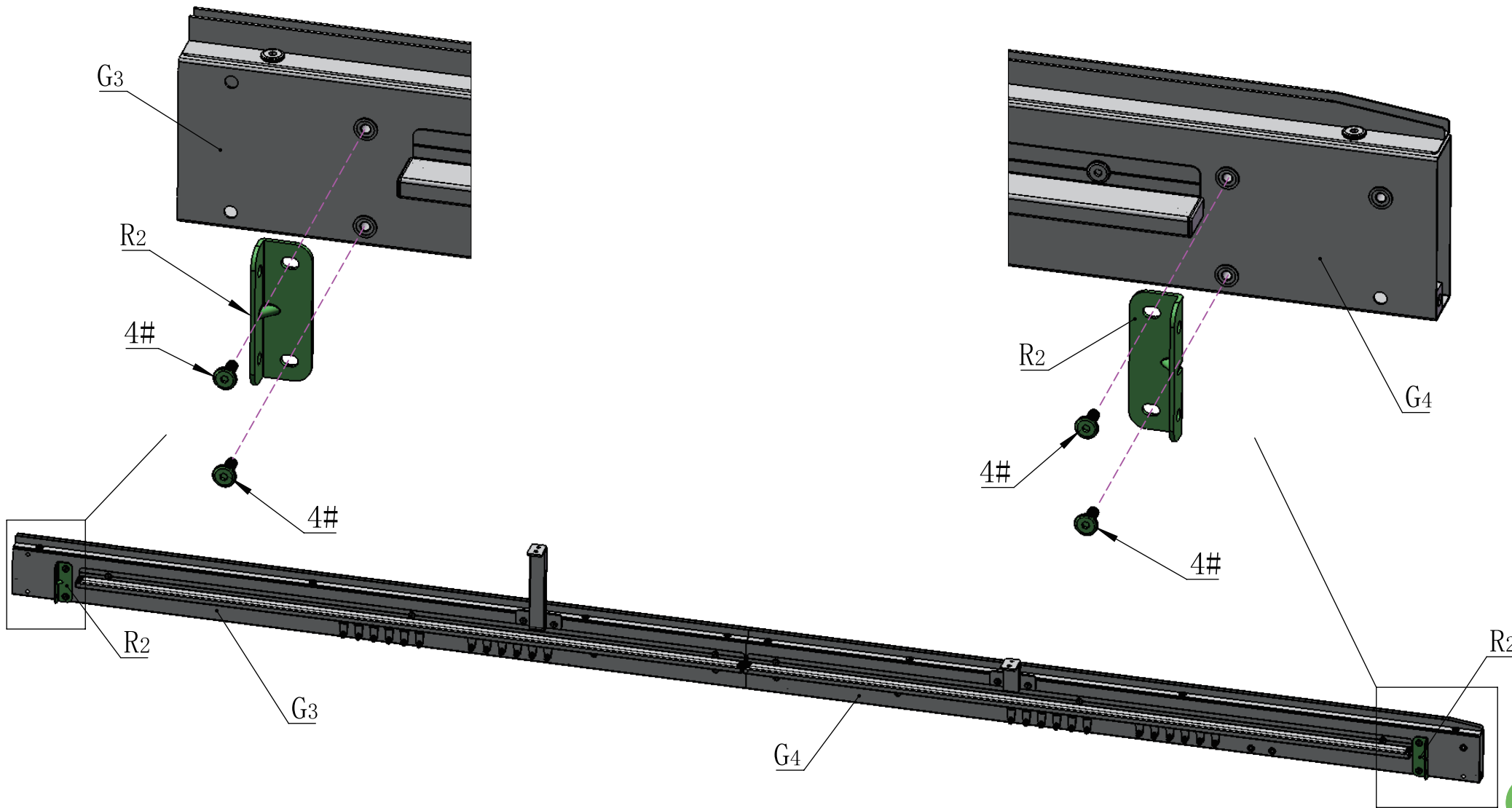
M6*16

4# 4X

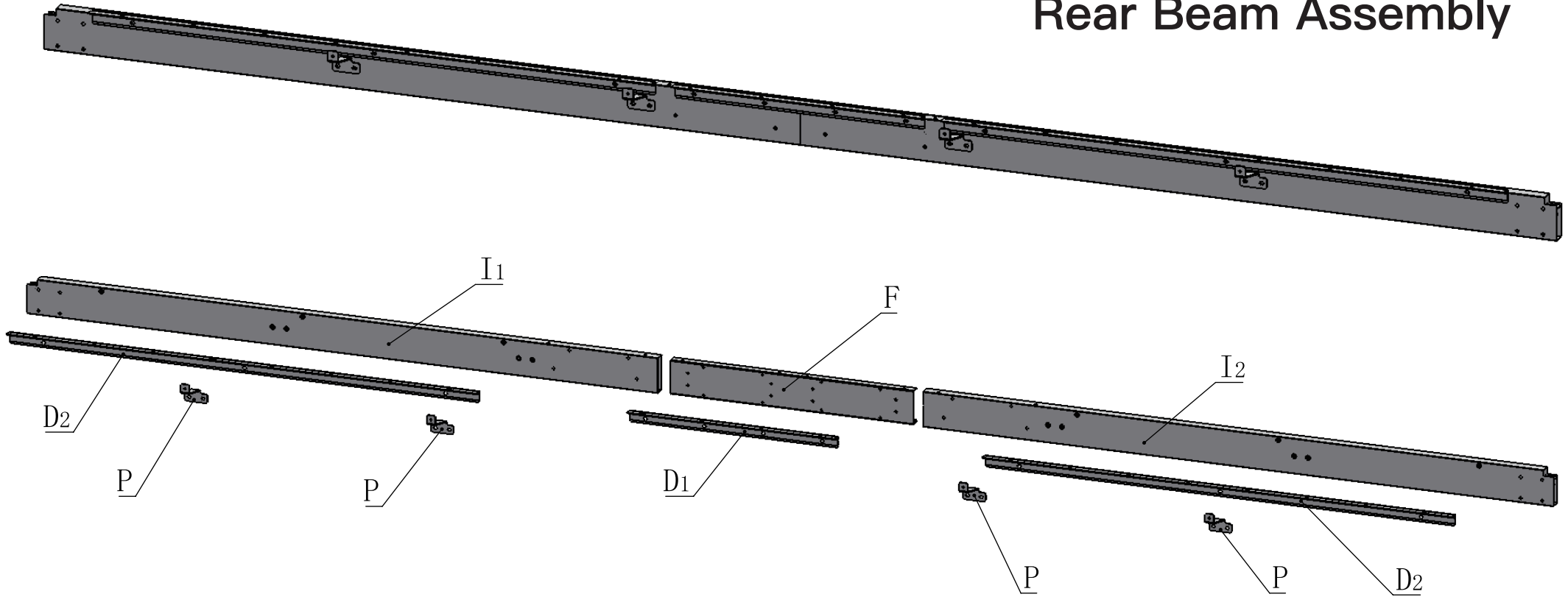


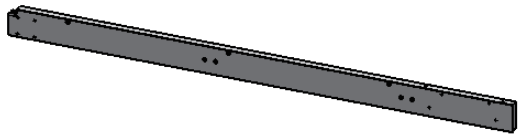
S4

16# 1X

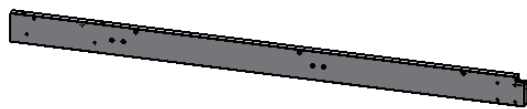


Rear Beam Assembly





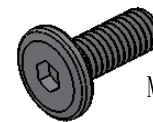
I1 1X



I2 1X

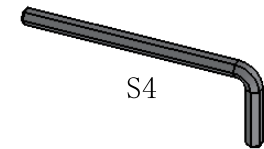


F 1X



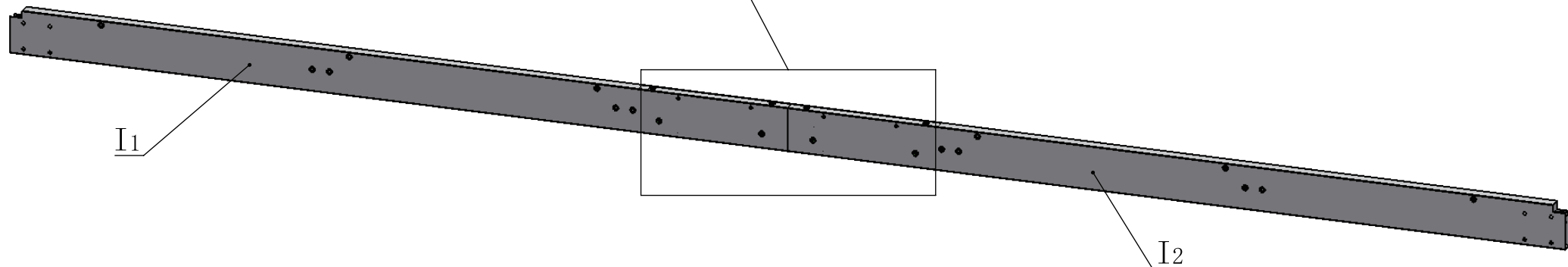
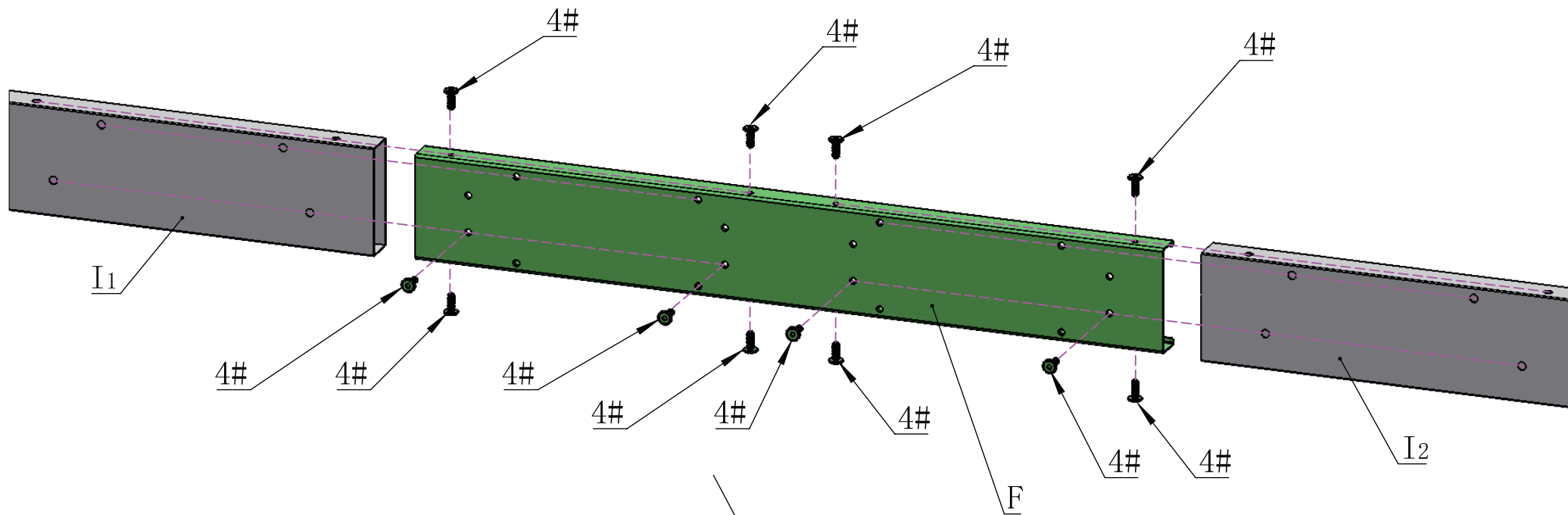
M6*16

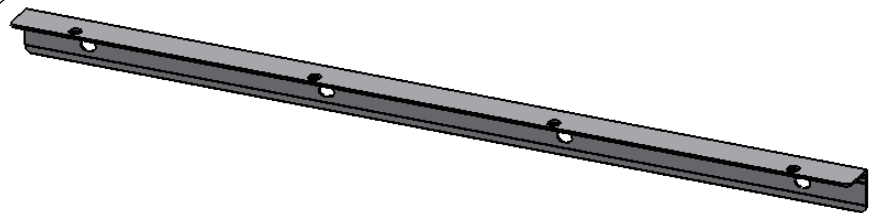
4# 12X



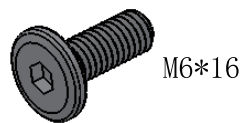
S4

16# 1X



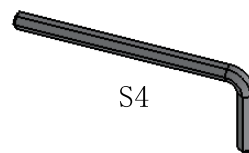


D1 1X



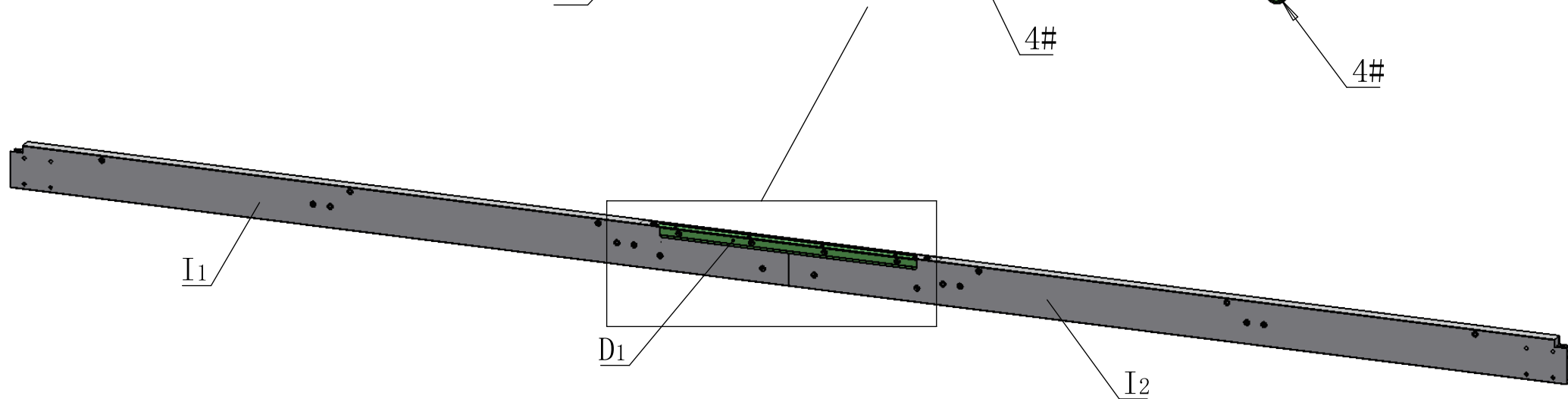
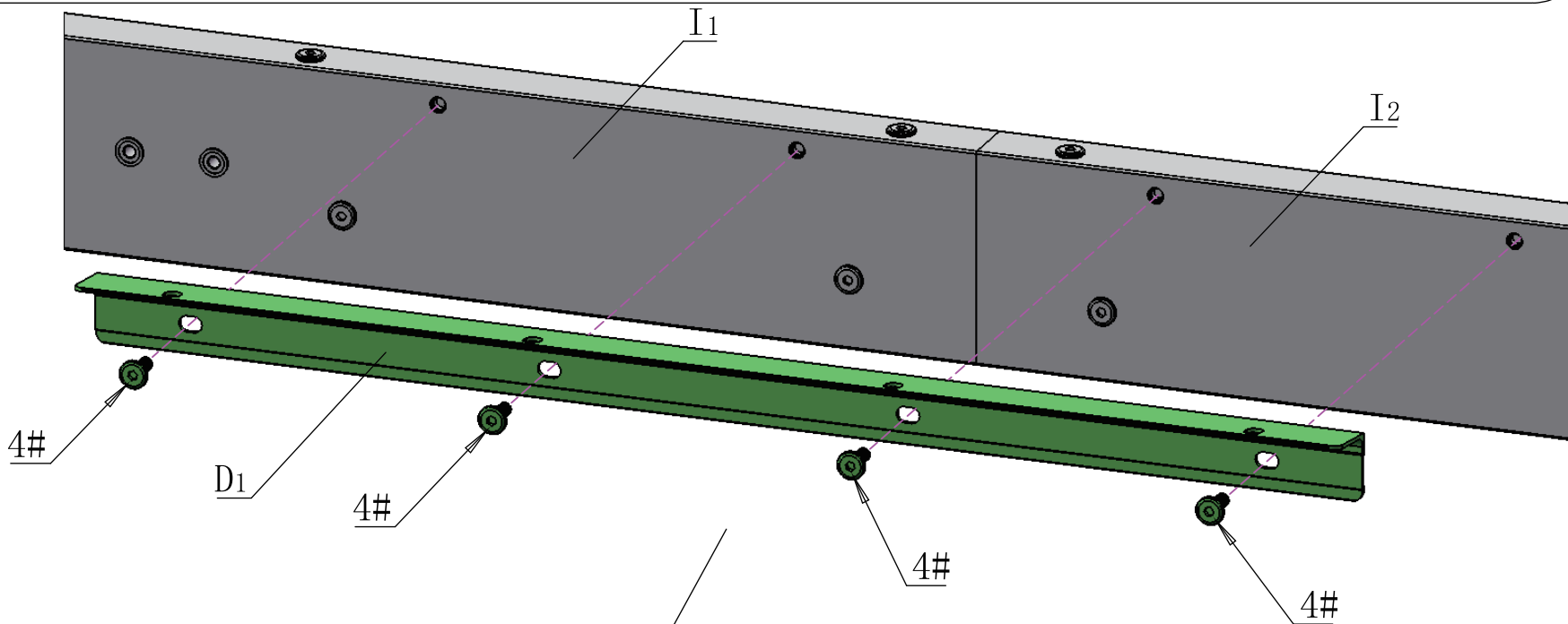
M6*16

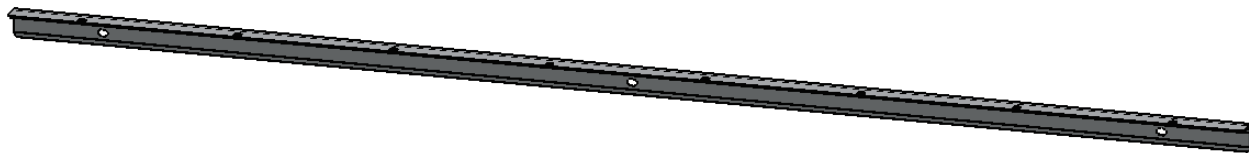
4# 4X



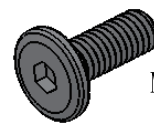
S4

16# 1X





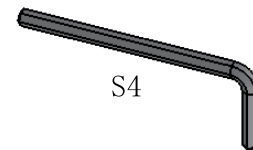
D2 2X



M6*16

4#

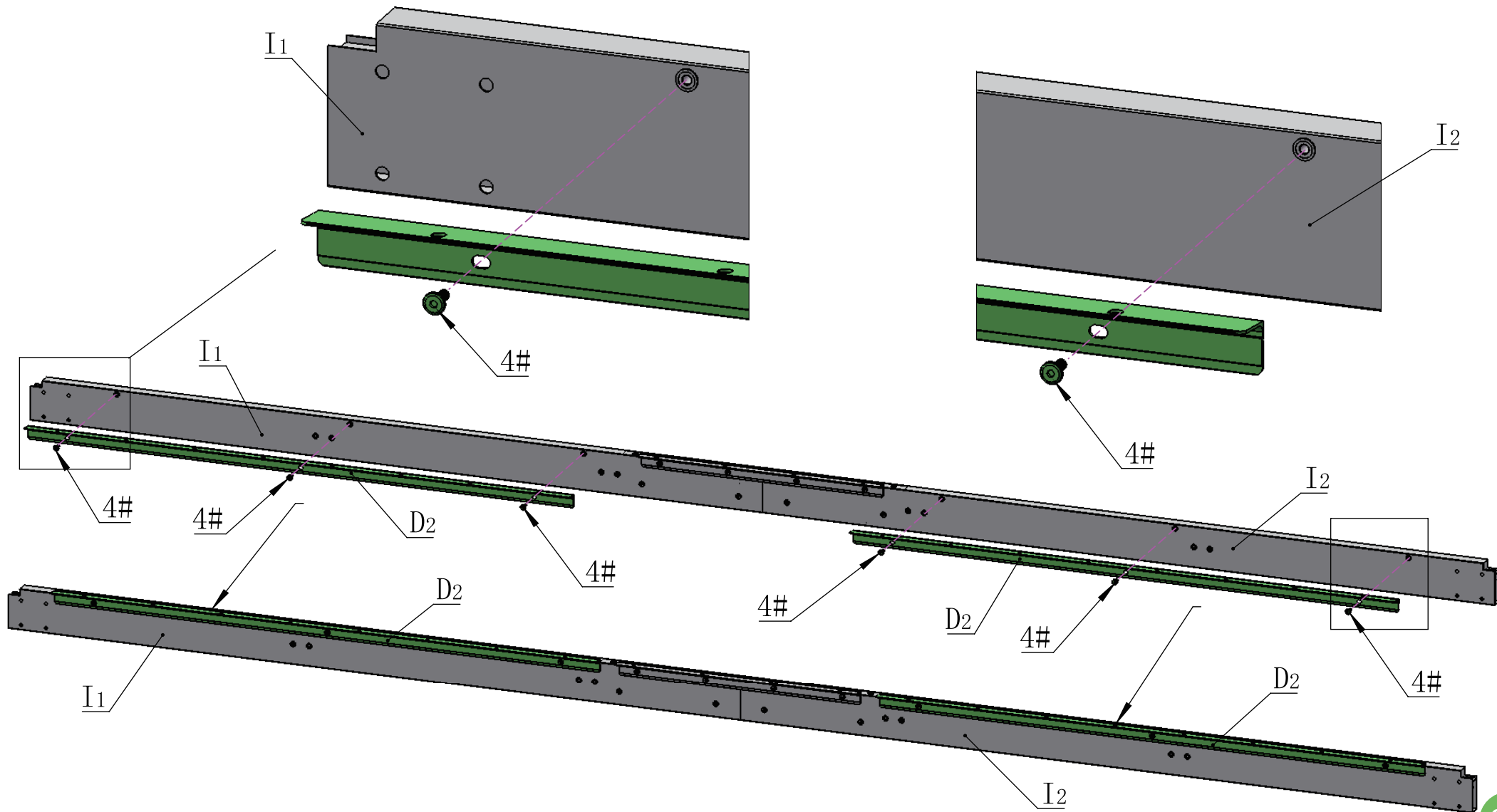
6X

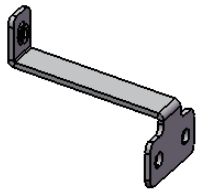


S4

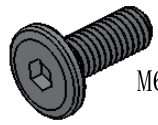
16#

1X

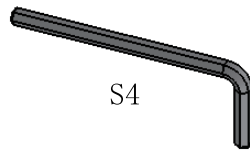




P 4X

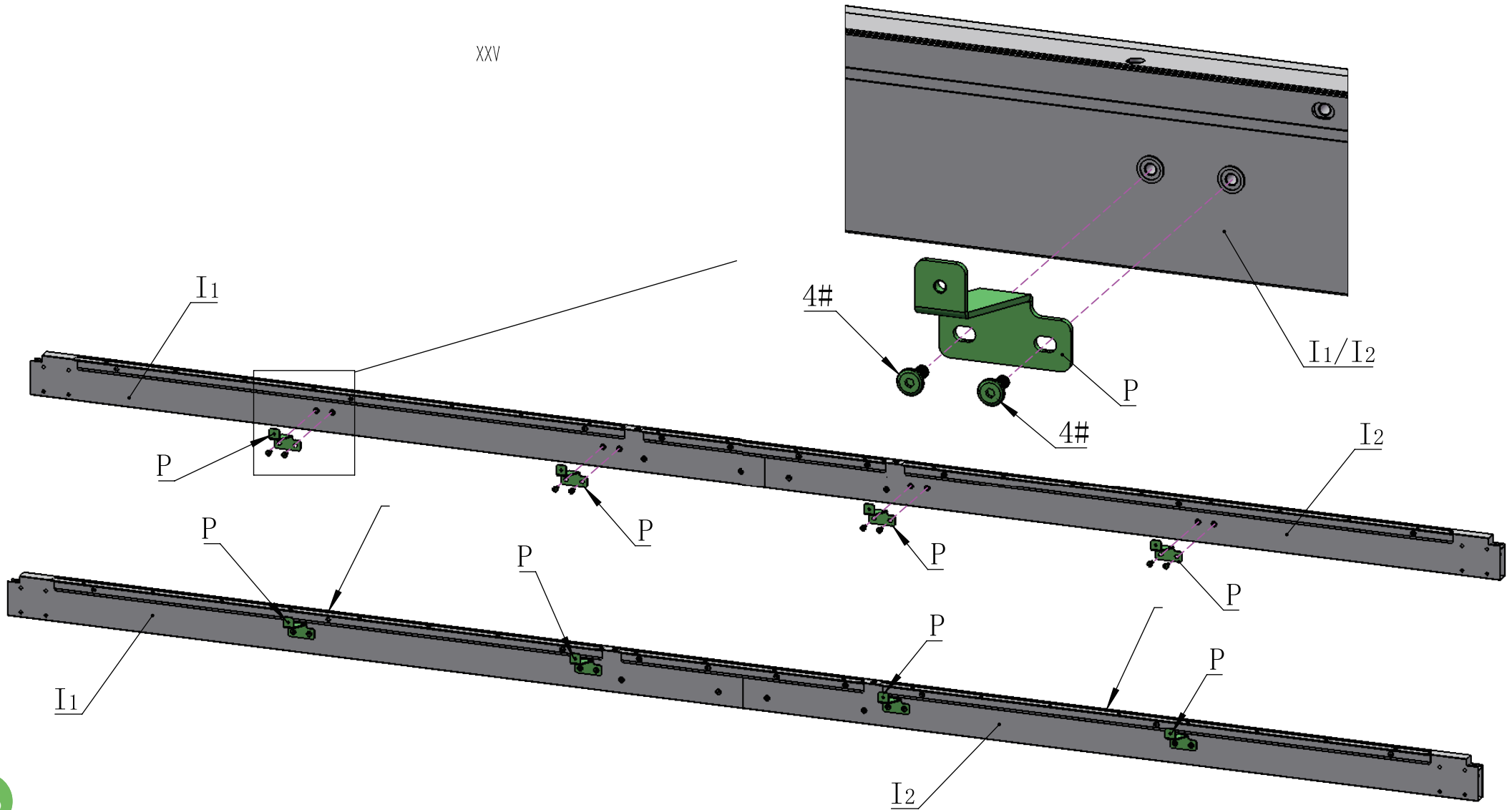


M6*16
4# 8X

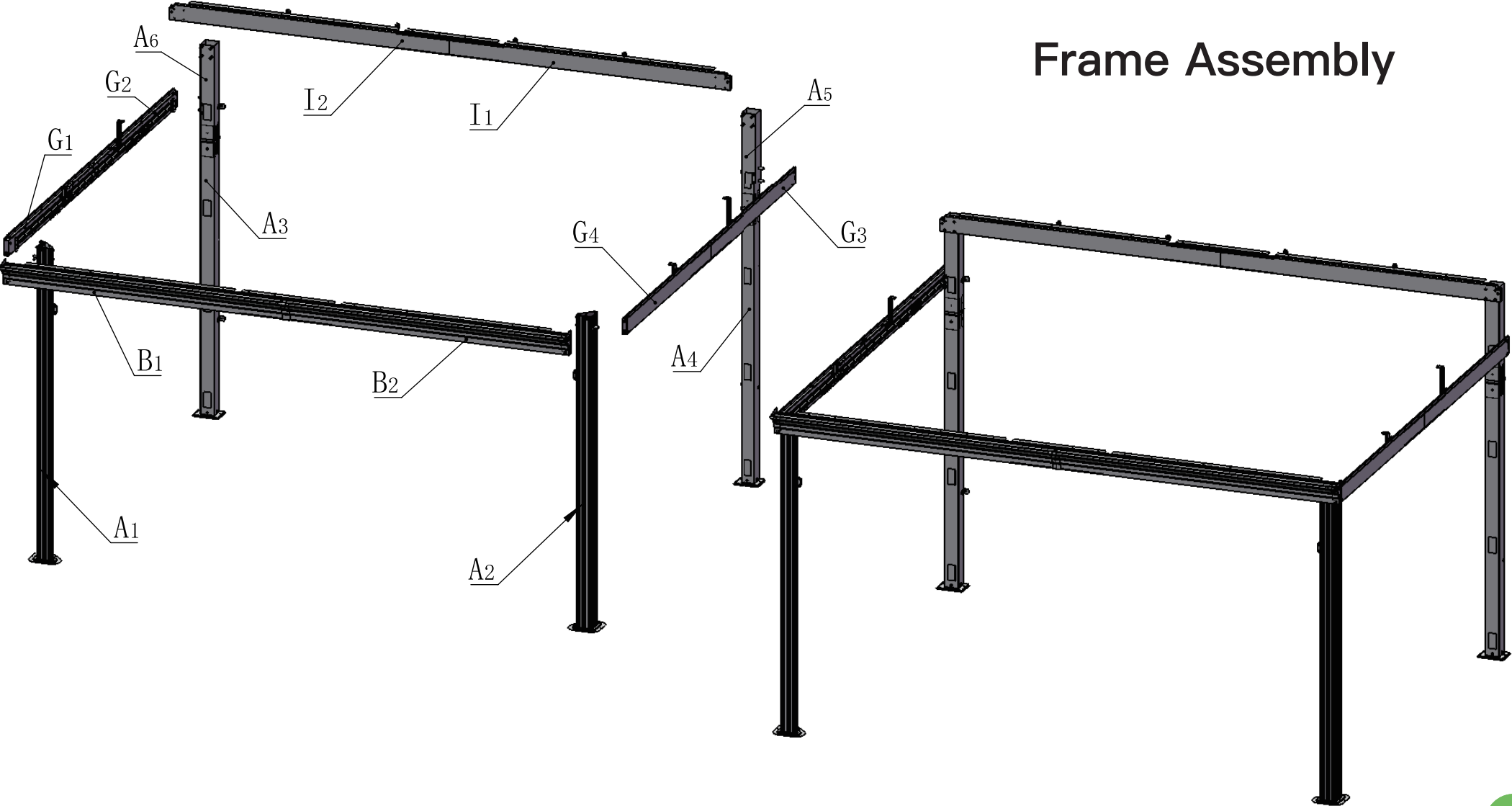


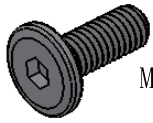
S4
16# 1X

XXV



Frame Assembly

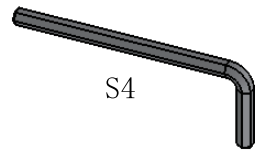




M6*16

4#

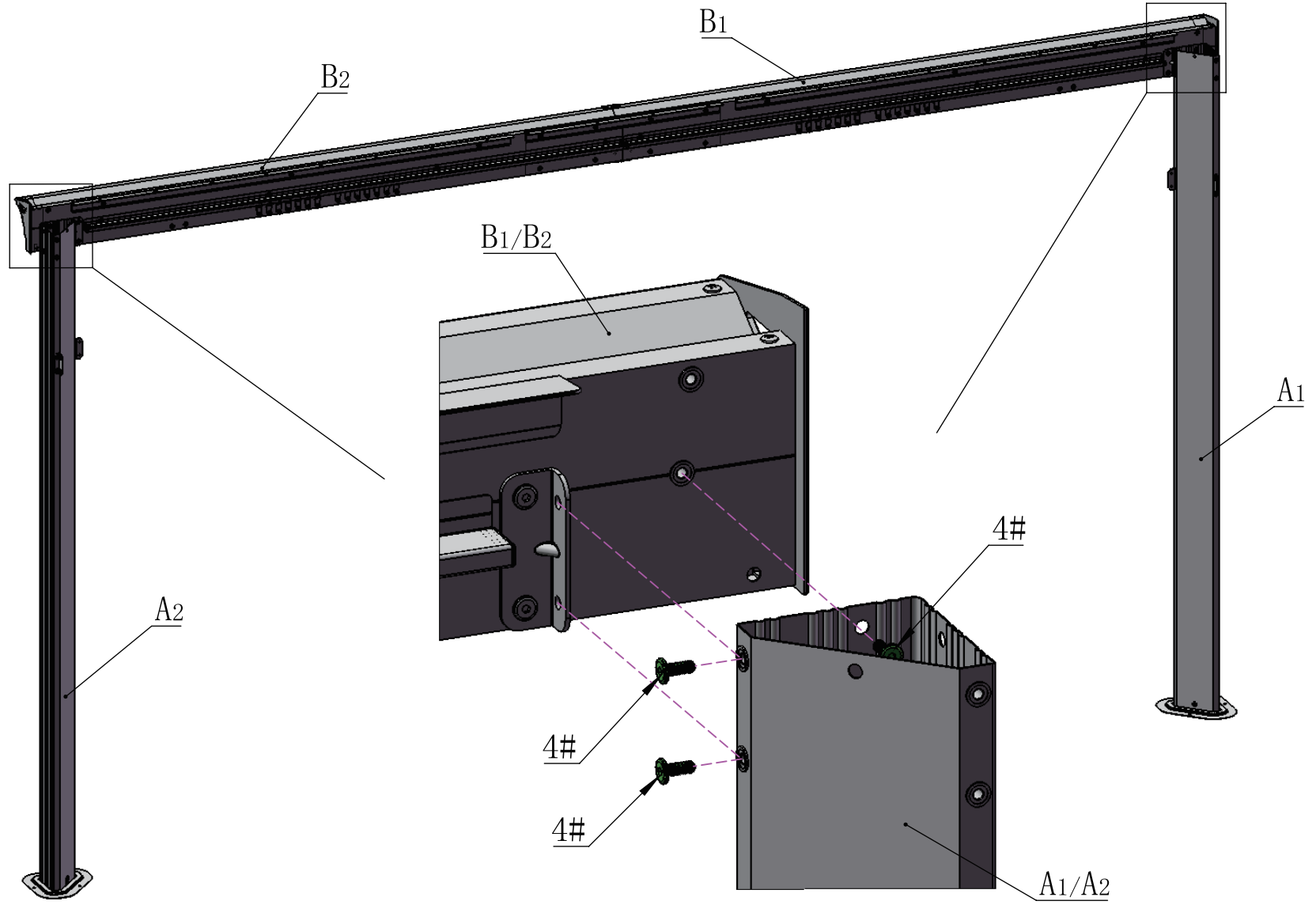
6X

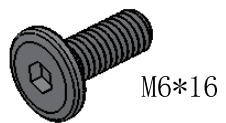


S4

16#

1X

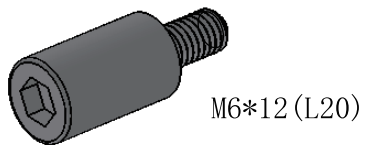




M6*16

4#

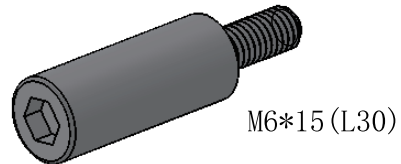
10X



M6*12 (L20)

7#

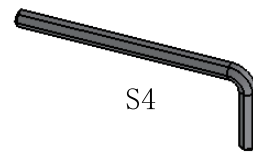
2X



M6*15 (L30)

8#

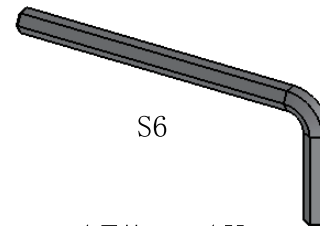
6X



S4

16#

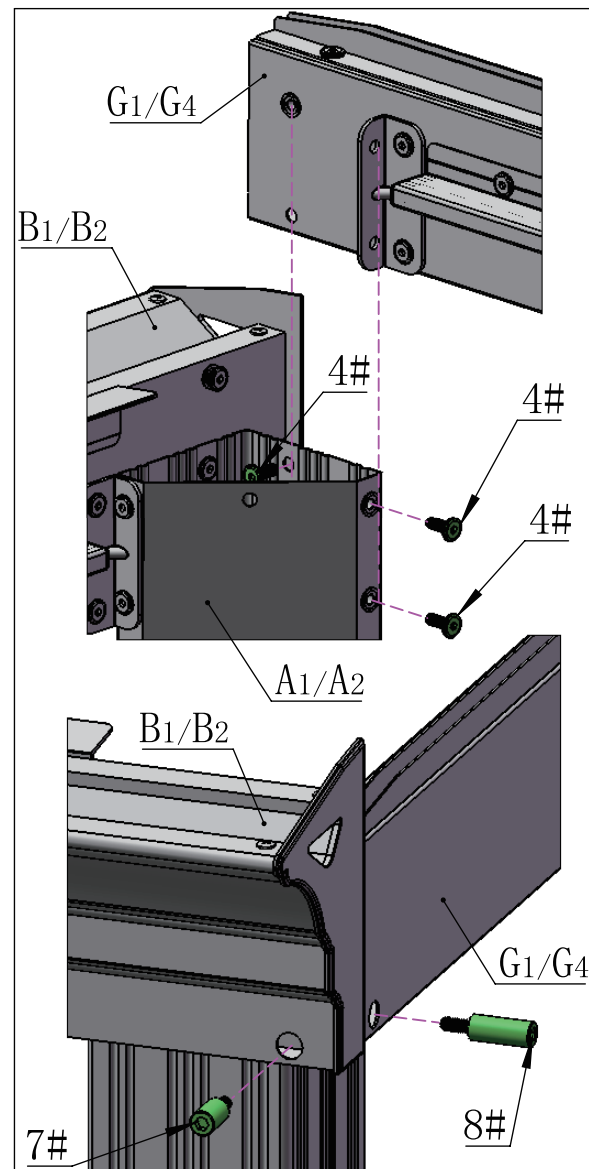
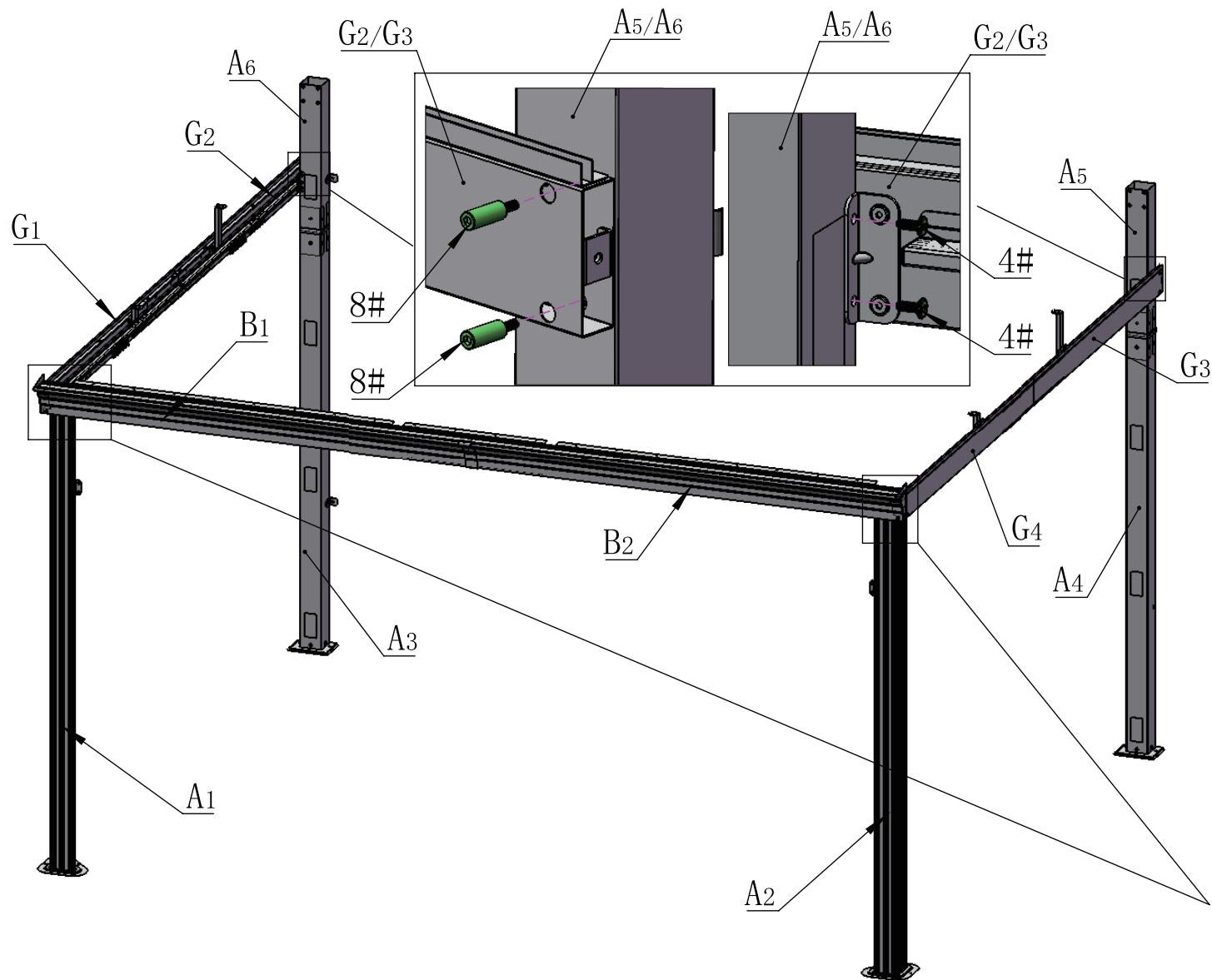
1X

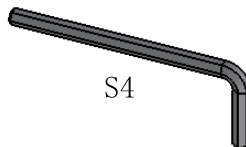
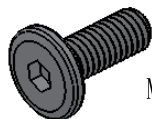
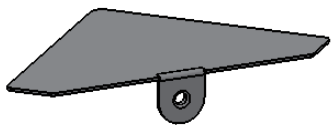


S6

17#

1X





Q

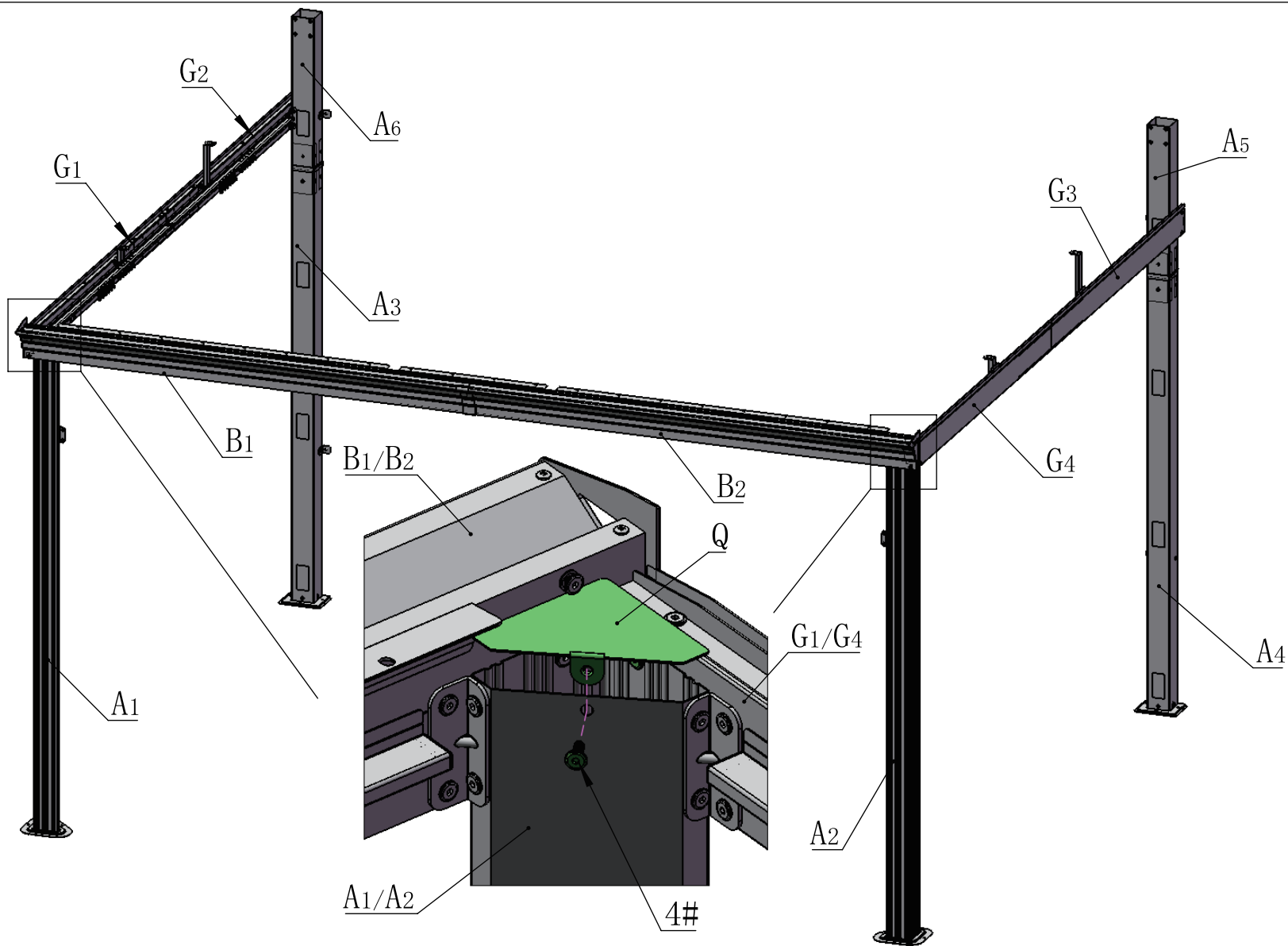
2X

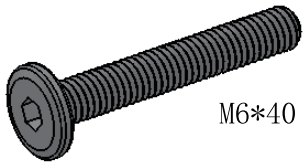
4#

2X

16#

1X

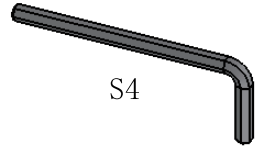




M6*40

6#

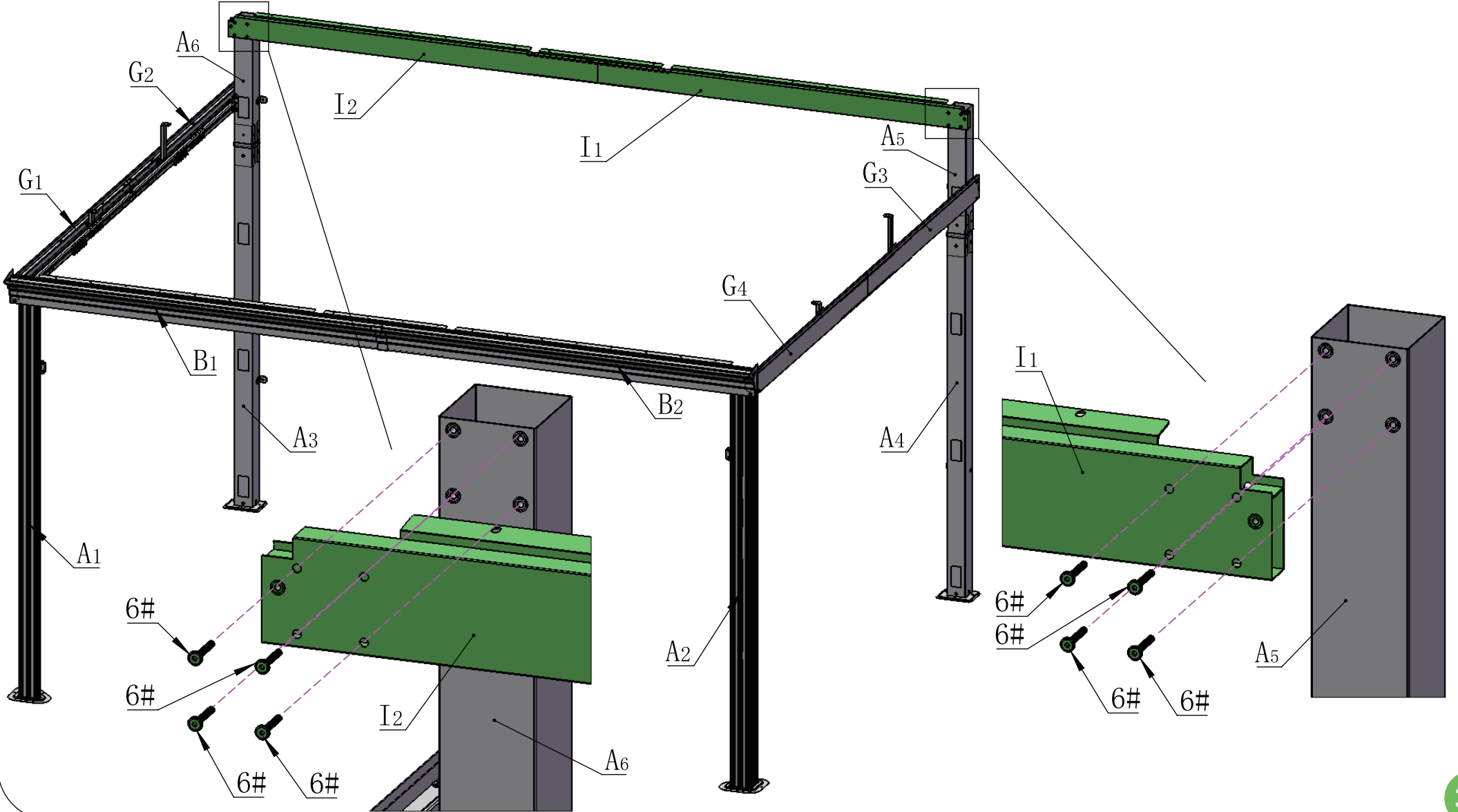
8X

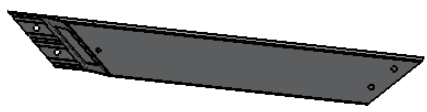


S4

16#

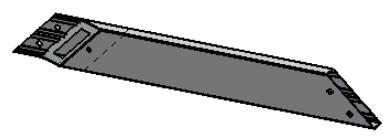
1X





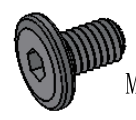
S1

2X



S2

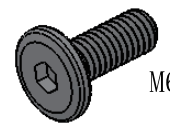
2X



M6*10

3#

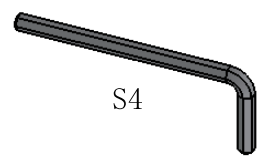
8X



M6*16

4#

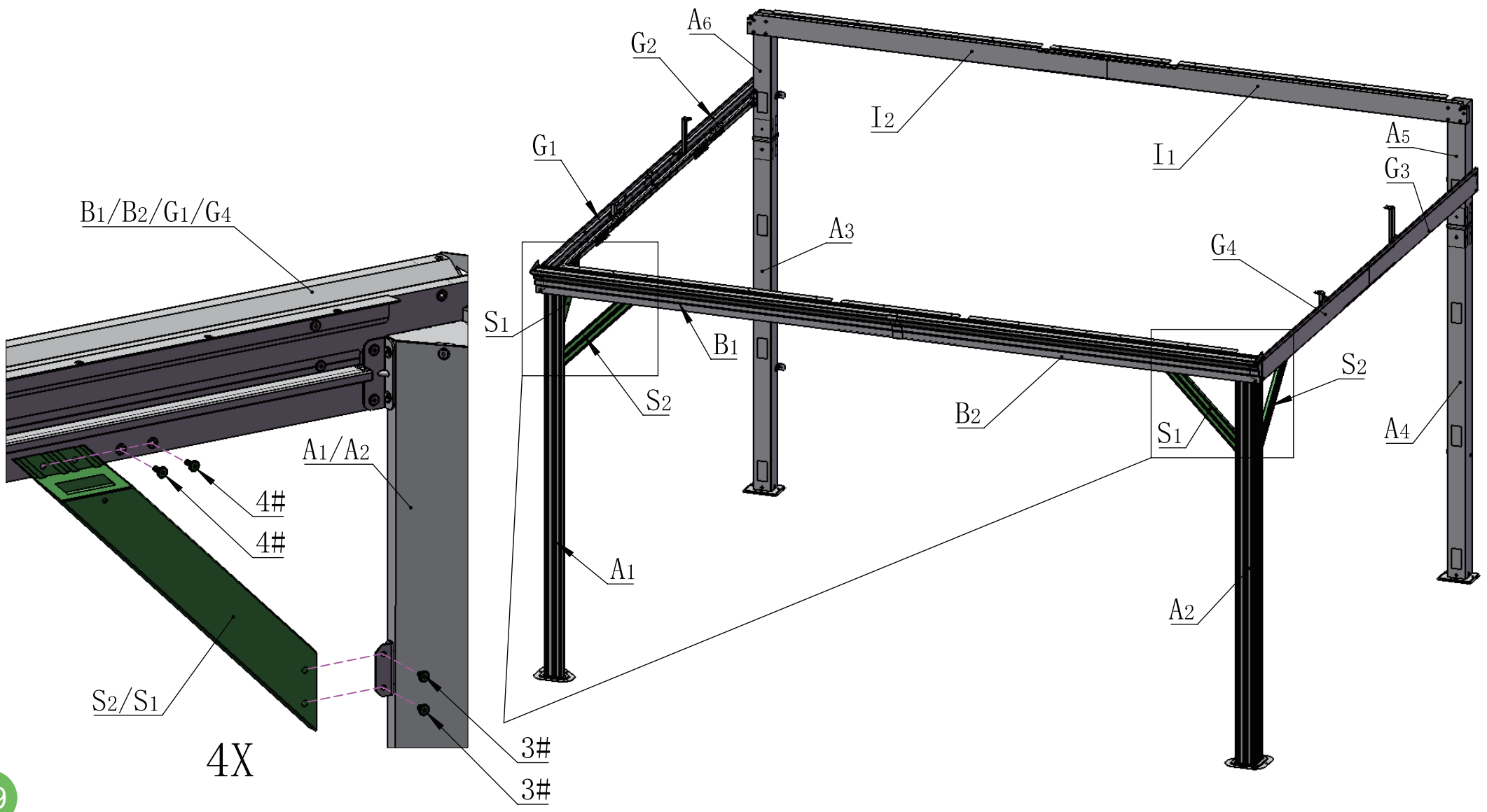
8X



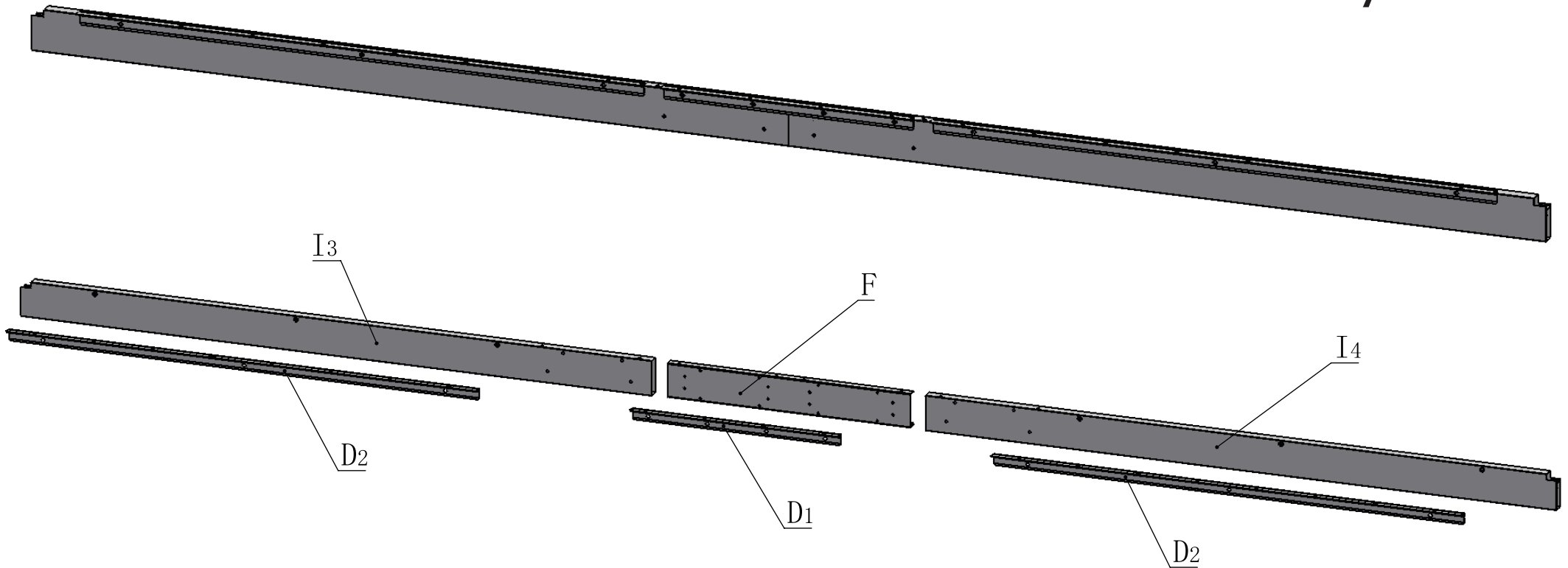
S4

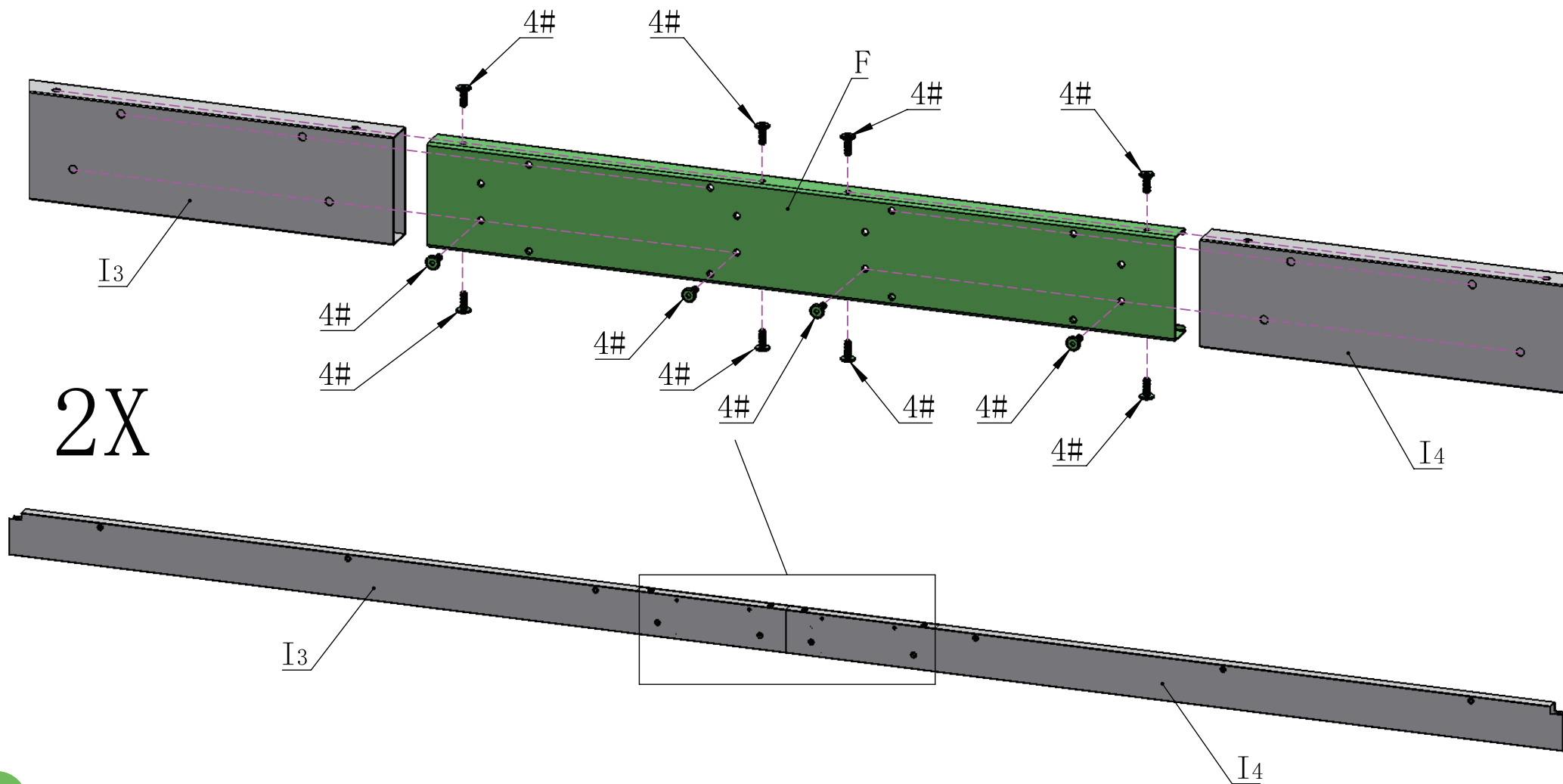
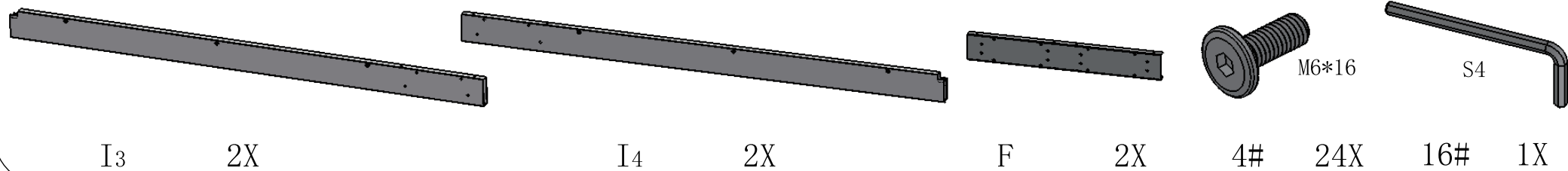
16#

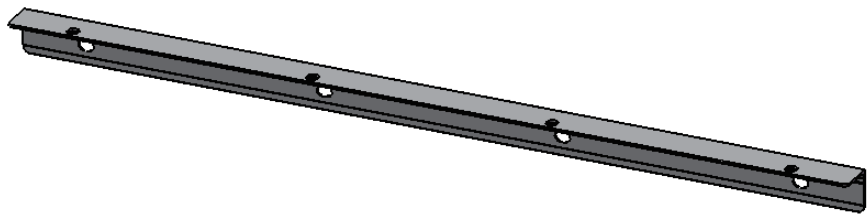
1X



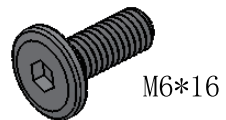
Two Central Beam Assembly 2X





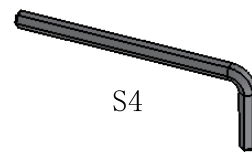


D1 2X



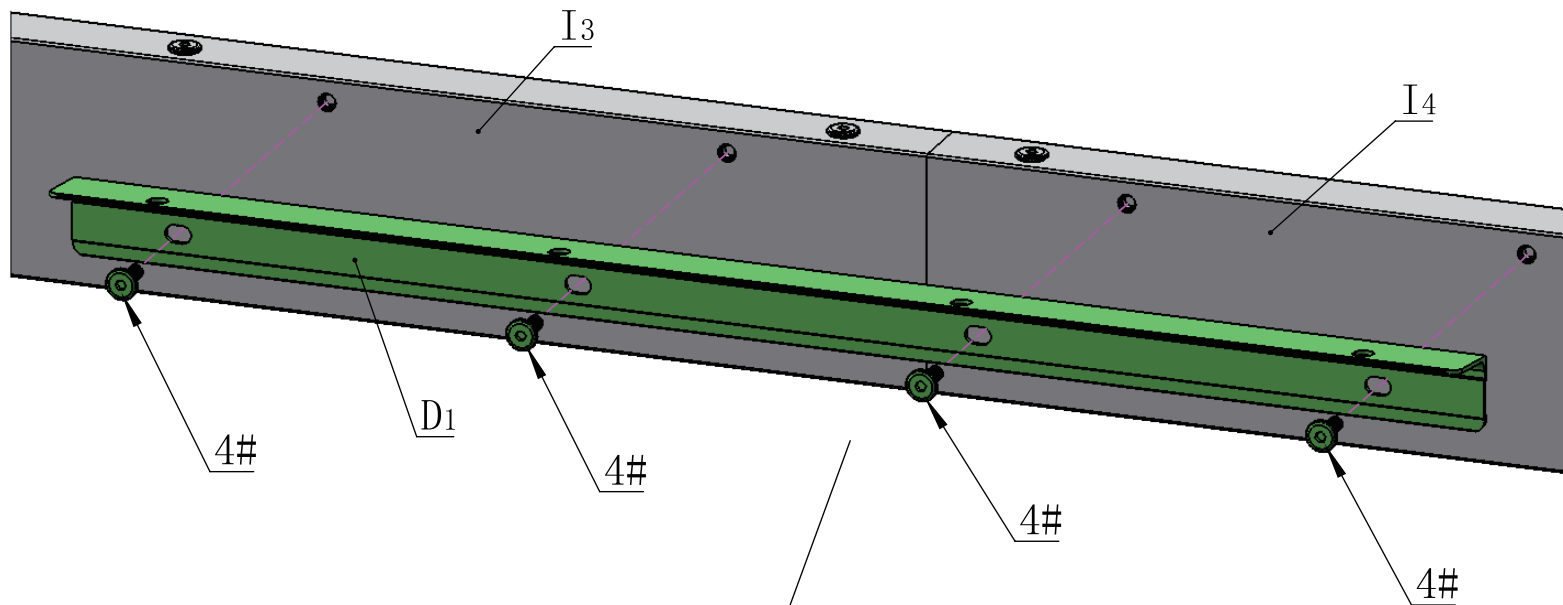
M6*16

4# 8X

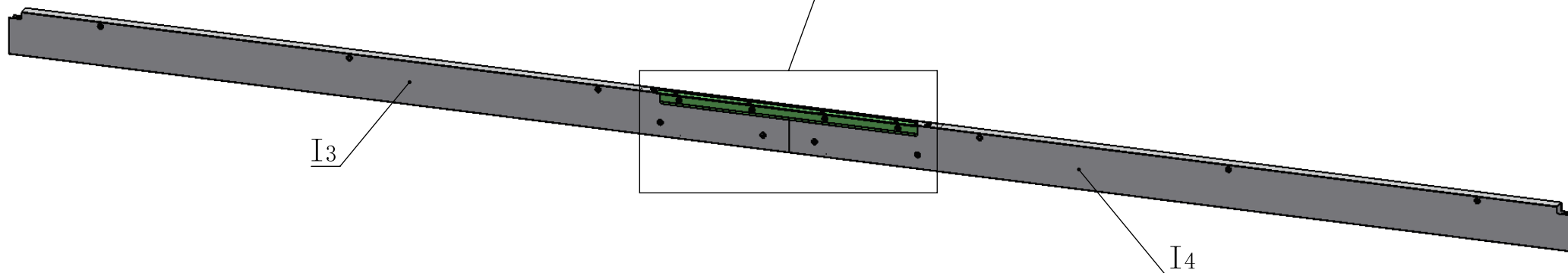


S4

16# 1X

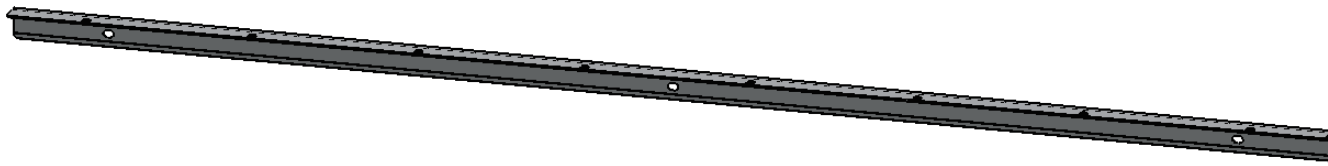


2X

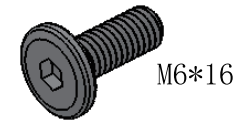


I3

I4



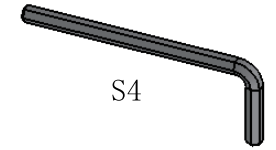
D2 4X



M6*16

4#

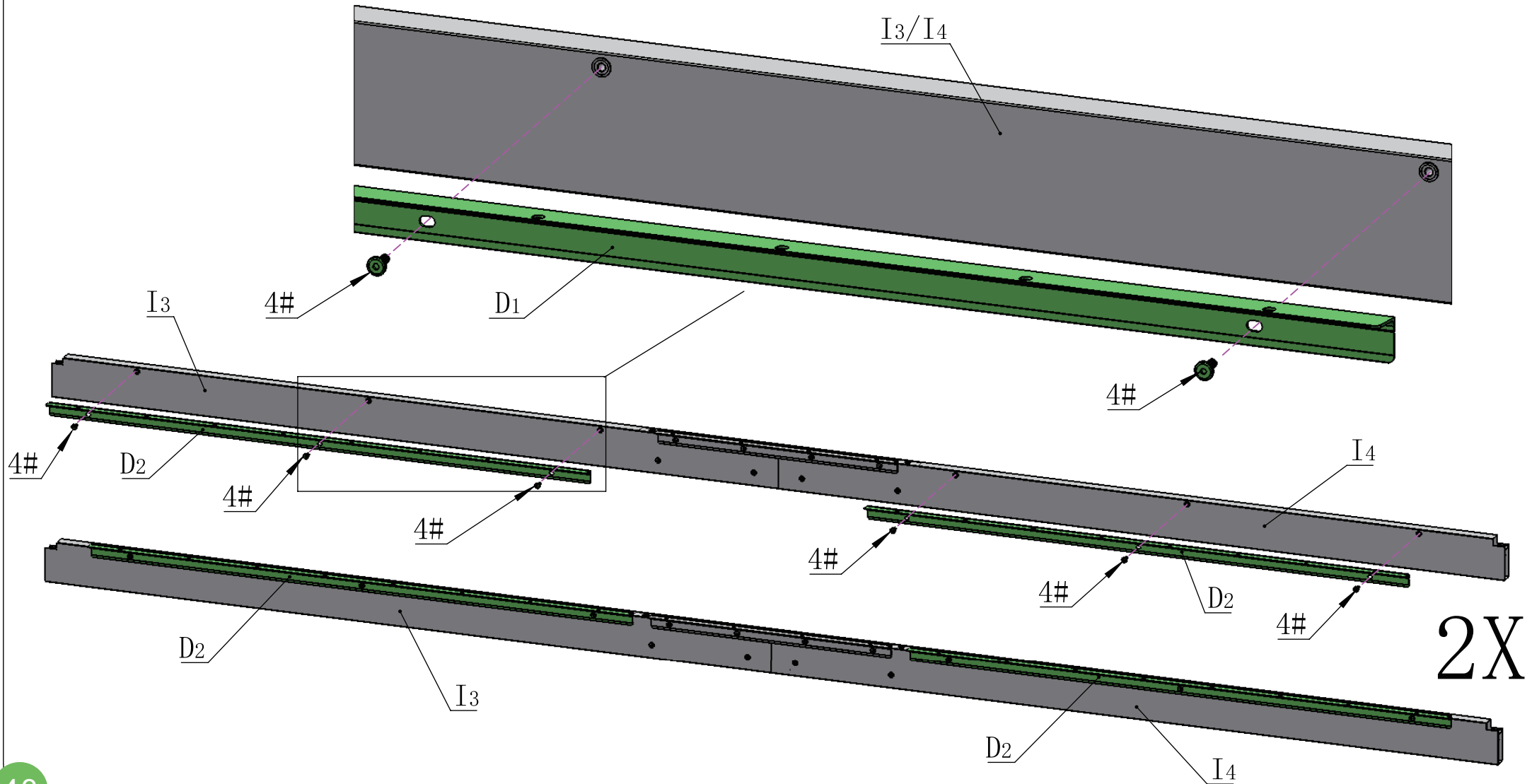
12X

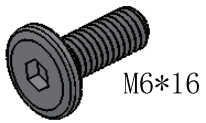


S4

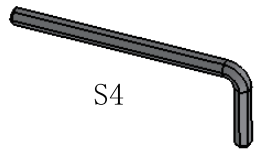
16#

1X





M6*16



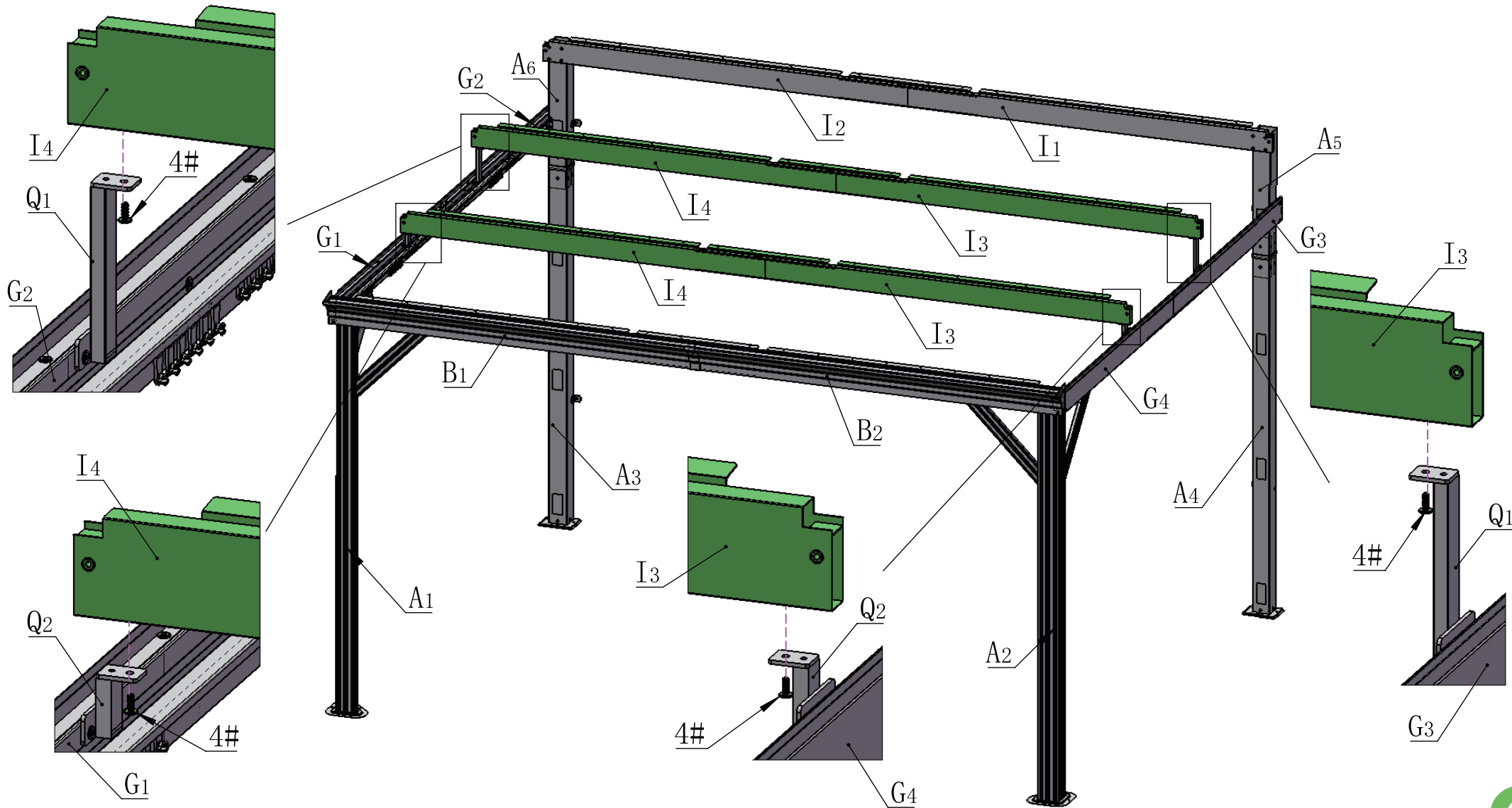
S4

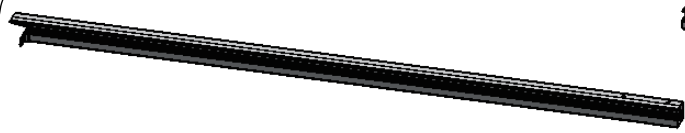
4#

4X

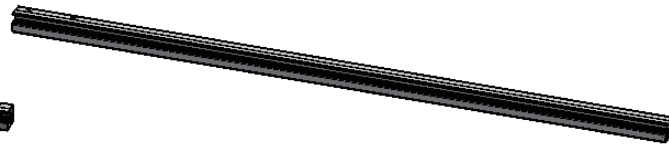
16#

1X





J1 1X



J2 1X

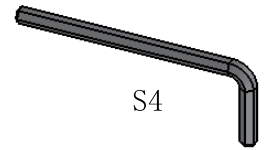


K 1X



2#

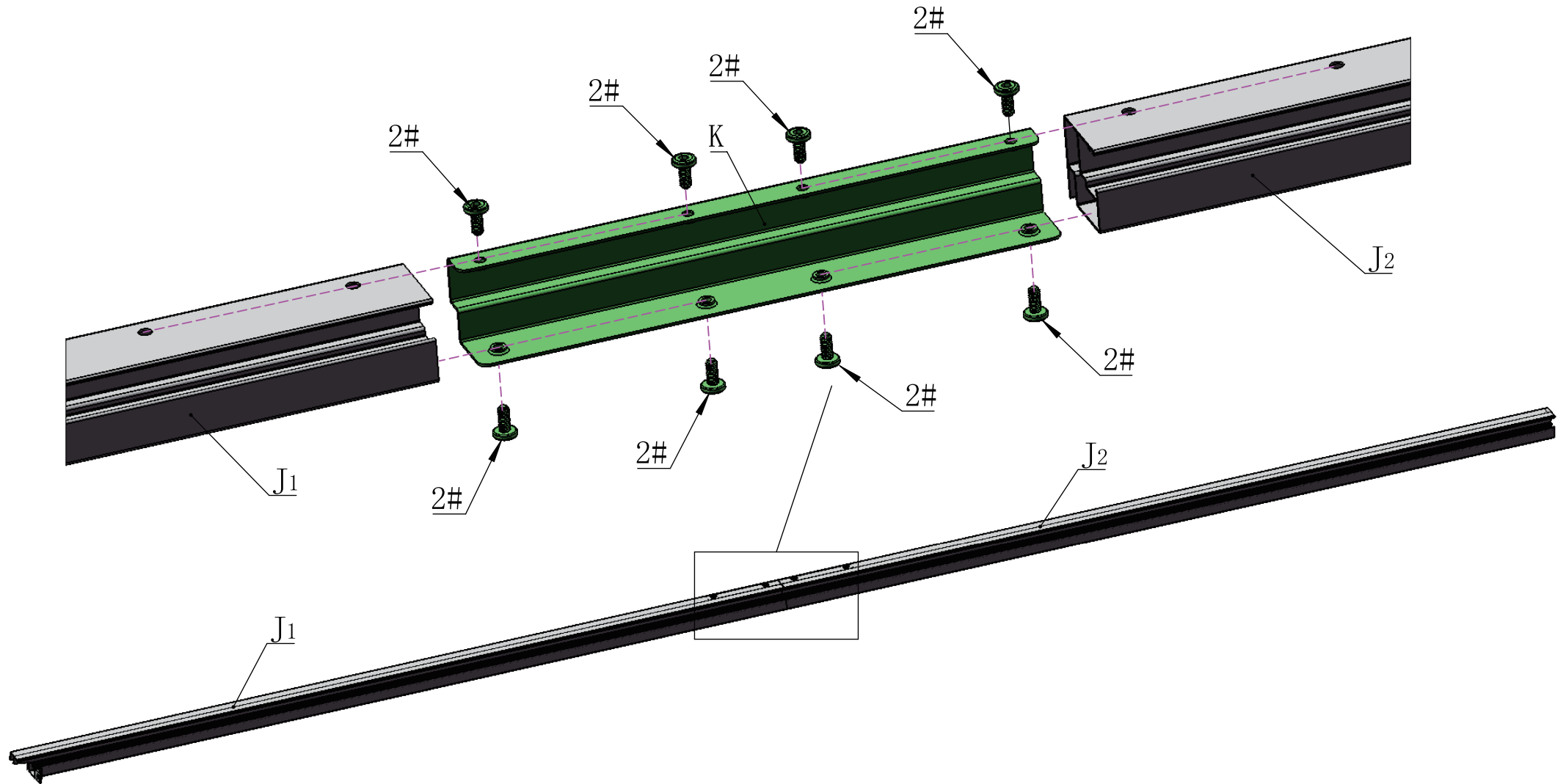
M5*12

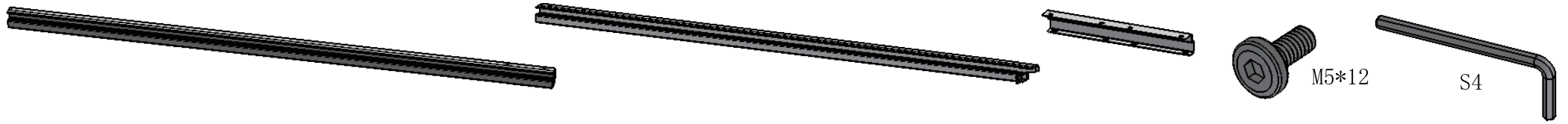


8X

S4

16# 1X





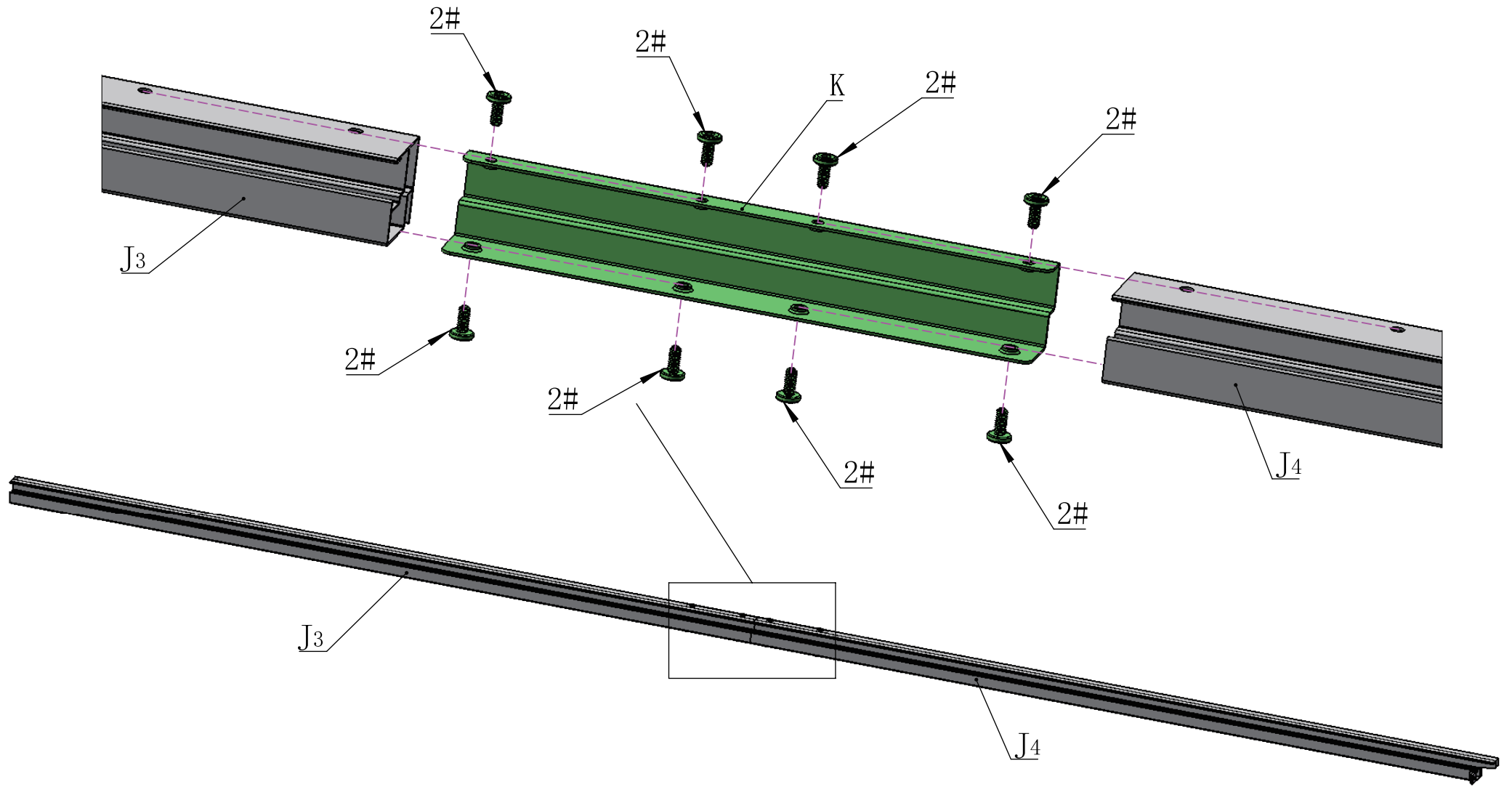
J3 1X

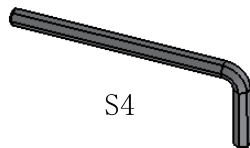
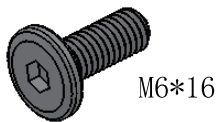
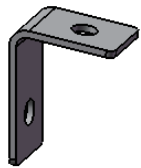
J4 1X

K 1X

M5*12 2# 8X

S4 16# 1X

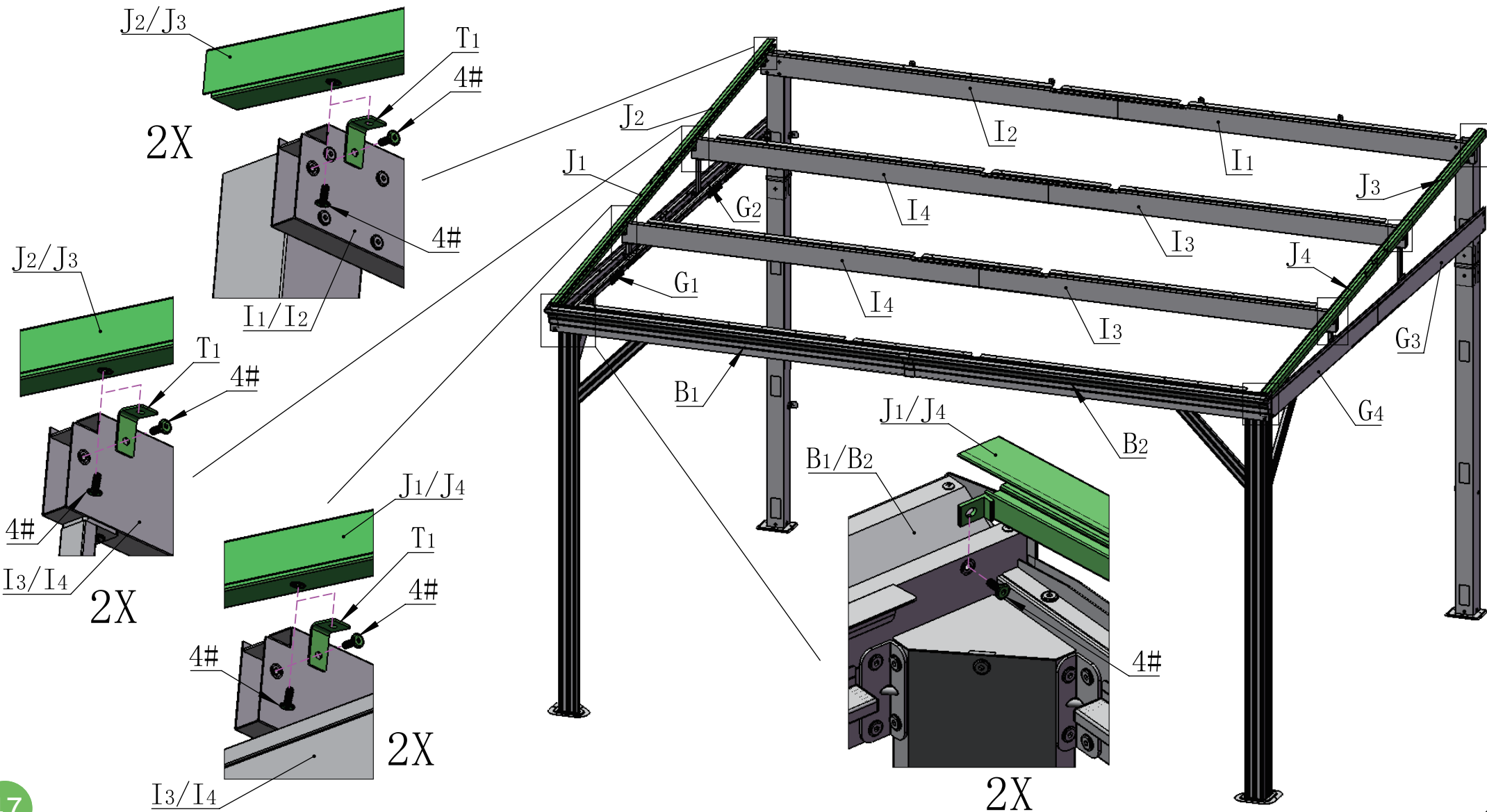


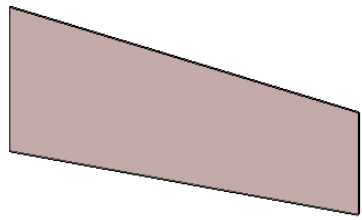


T1 6X

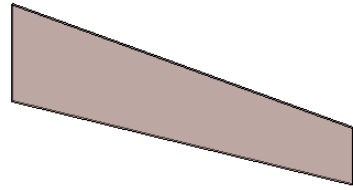
4# 14X

16# 1X

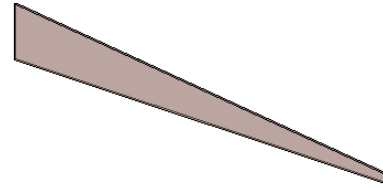




V1 1X



V3 1X



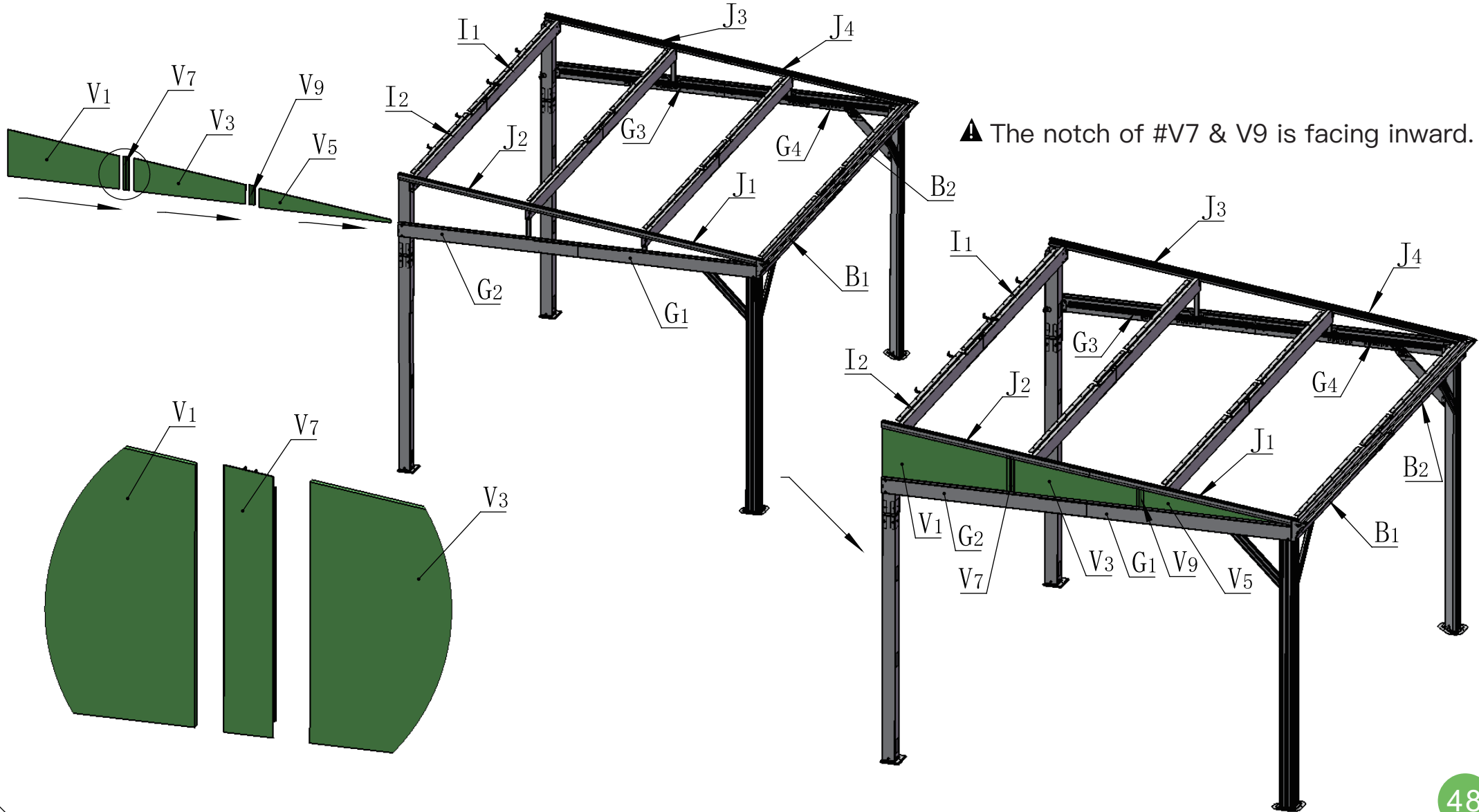
V5 1X

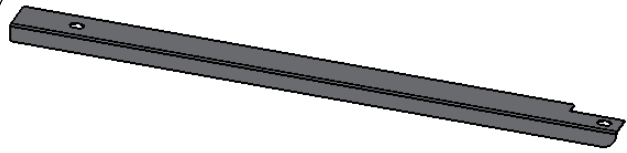


V7 1X

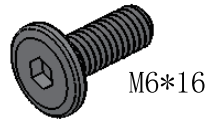


V9 1X

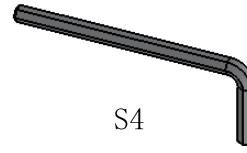




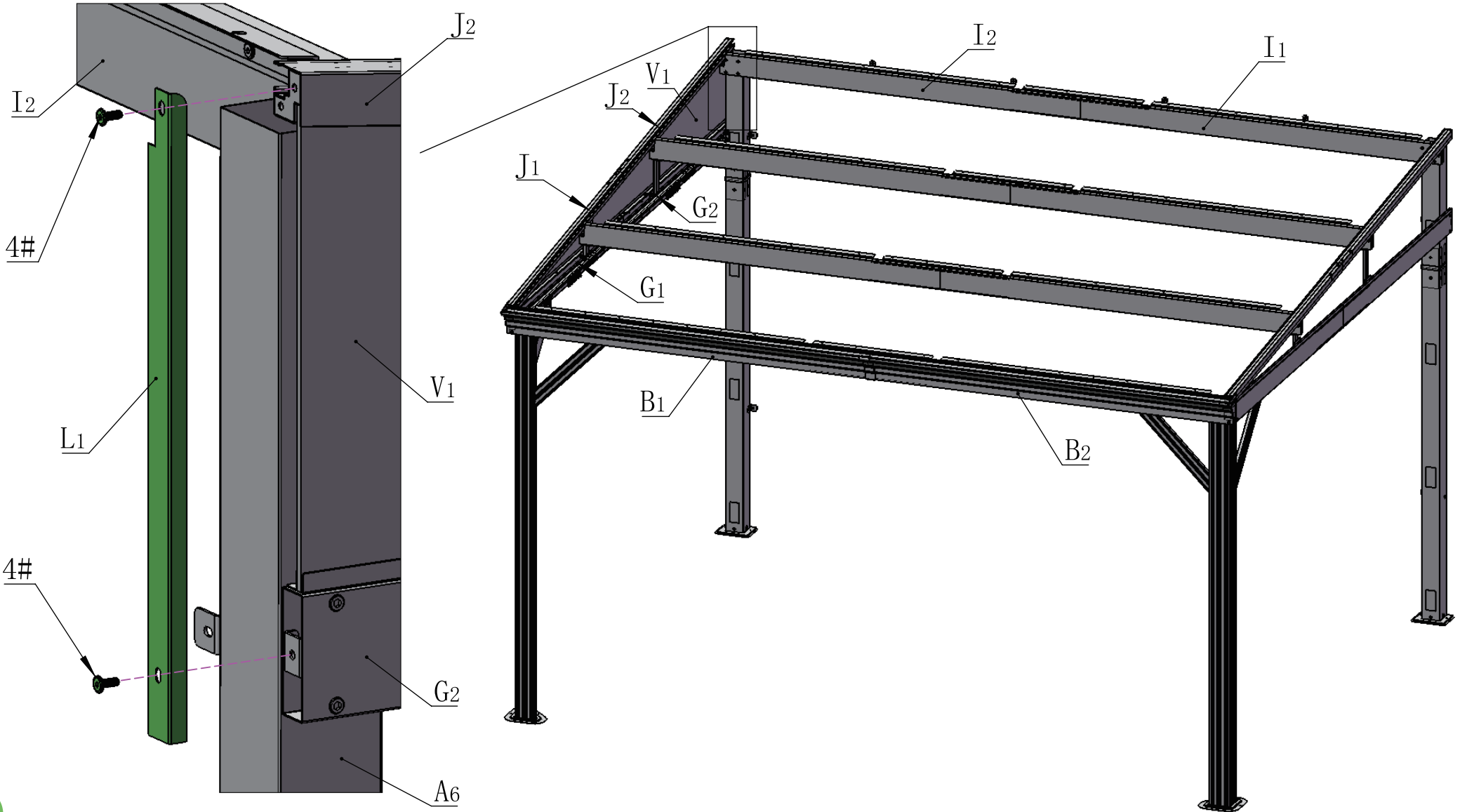
L1 1X

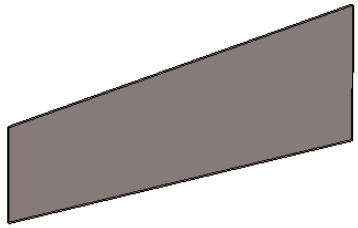


4# 2X
M6*16

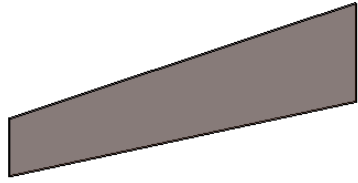


16# 1X
S4

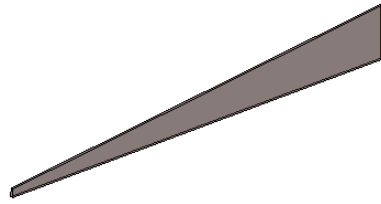




V2 1X



V4 1X



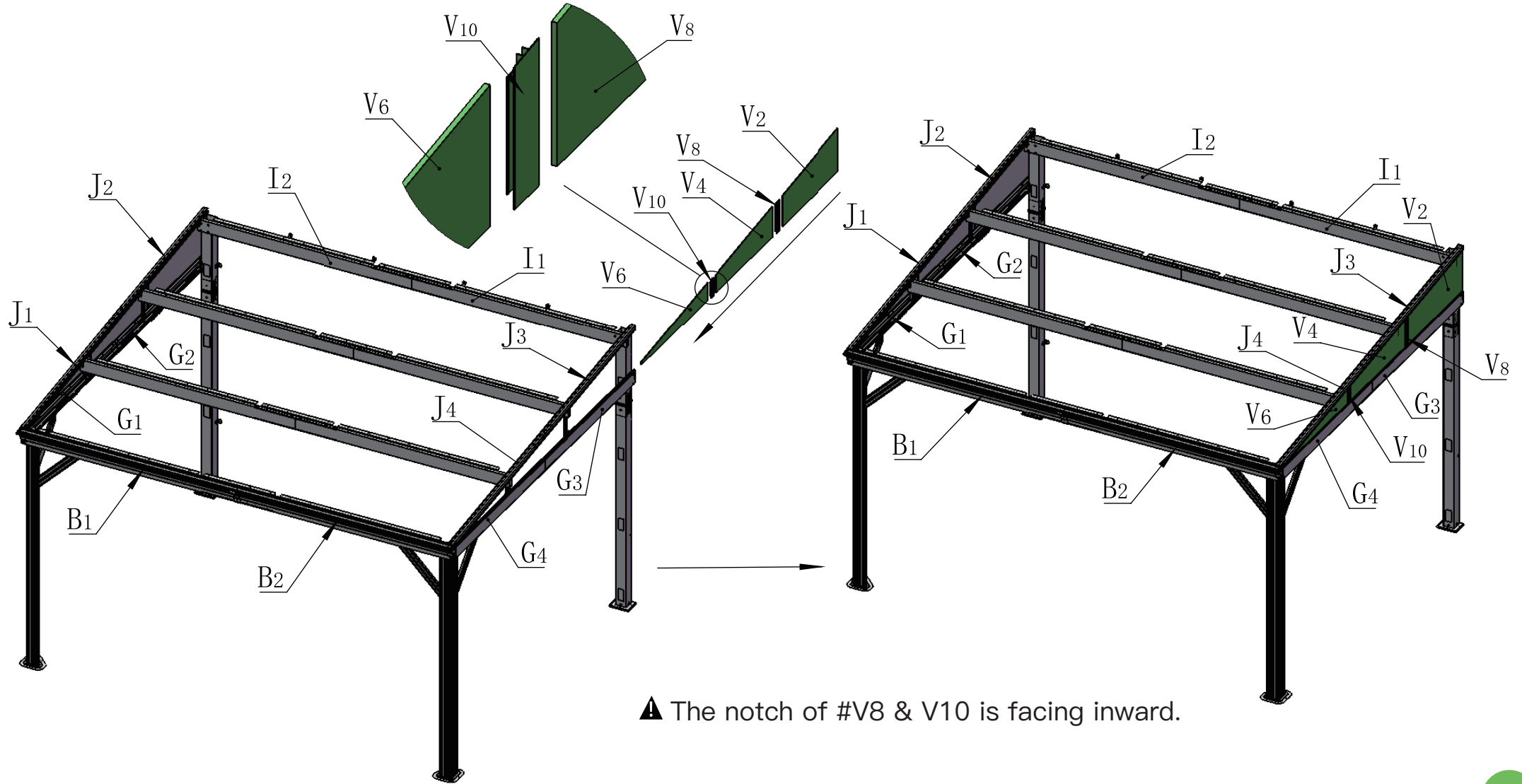
V6 1X

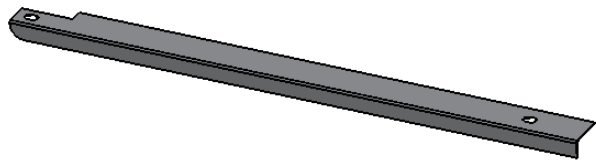


V8 1X

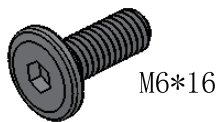


V10 1X

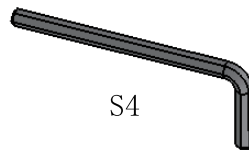




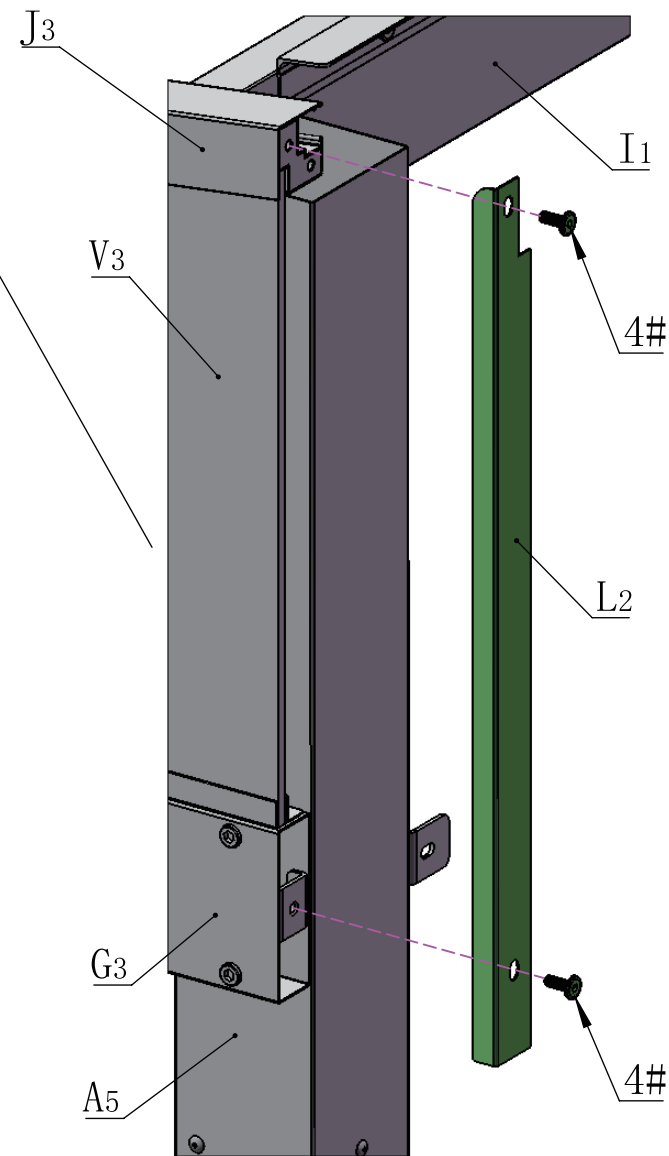
L2 1X

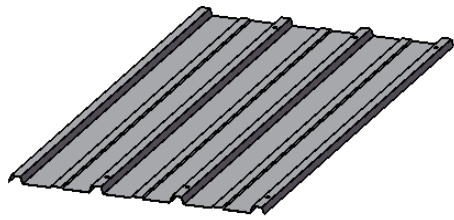


4# 2X

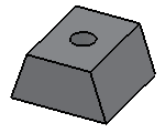


16# 1X

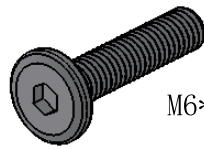




Y1 1X



X 2X



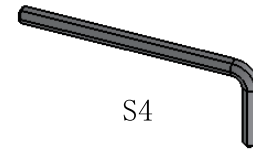
5#

M6*28

2X

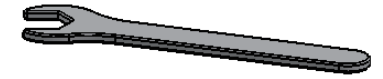


11# 2X

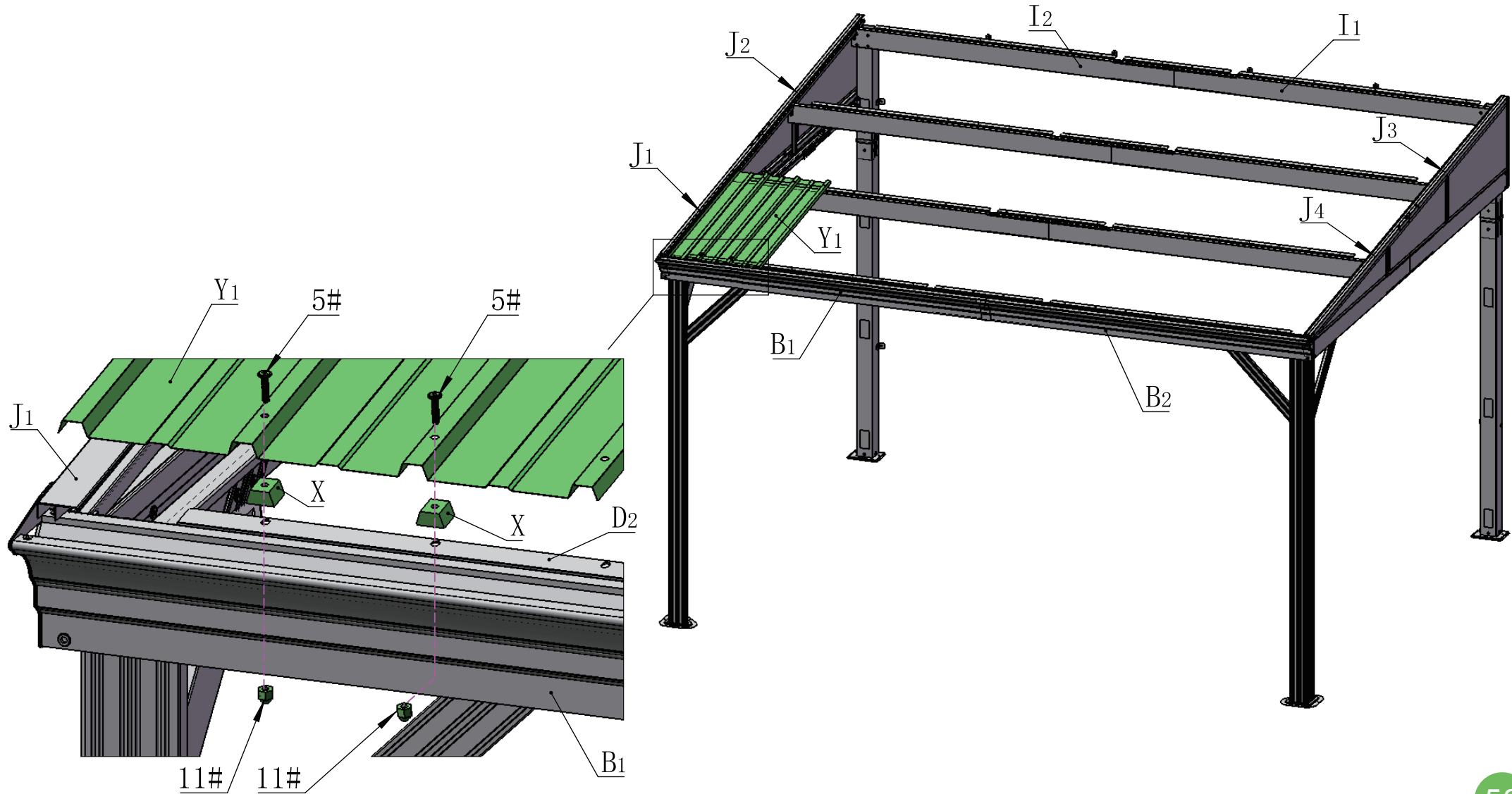


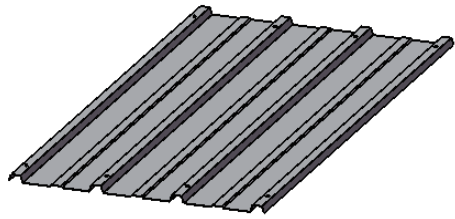
S4

16# 1X

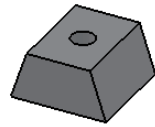


18# 1X

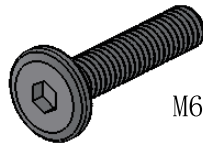




Y2 5X



X 15X

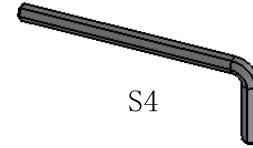


5#

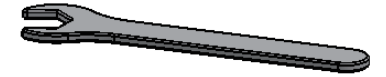
M6*28



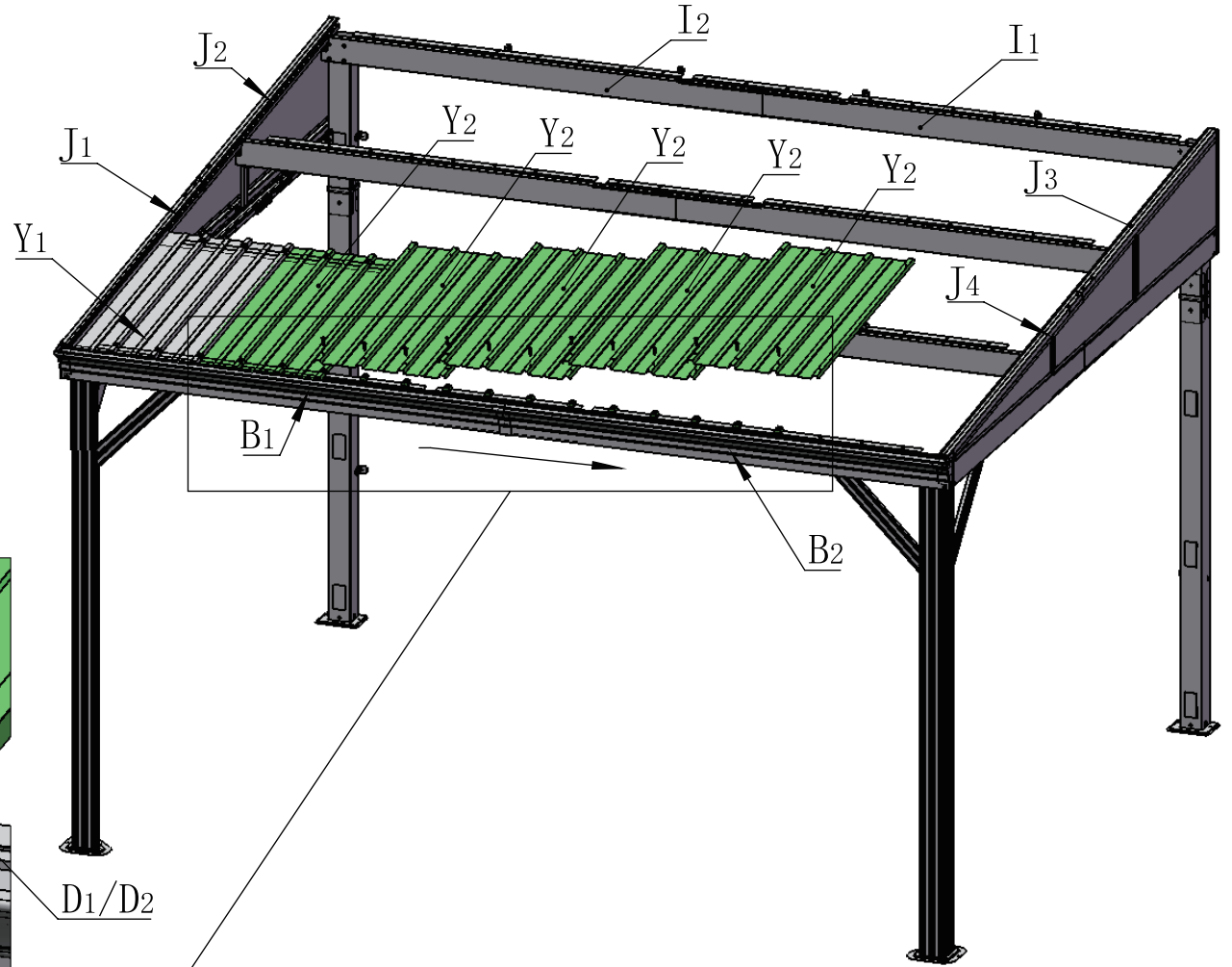
11#



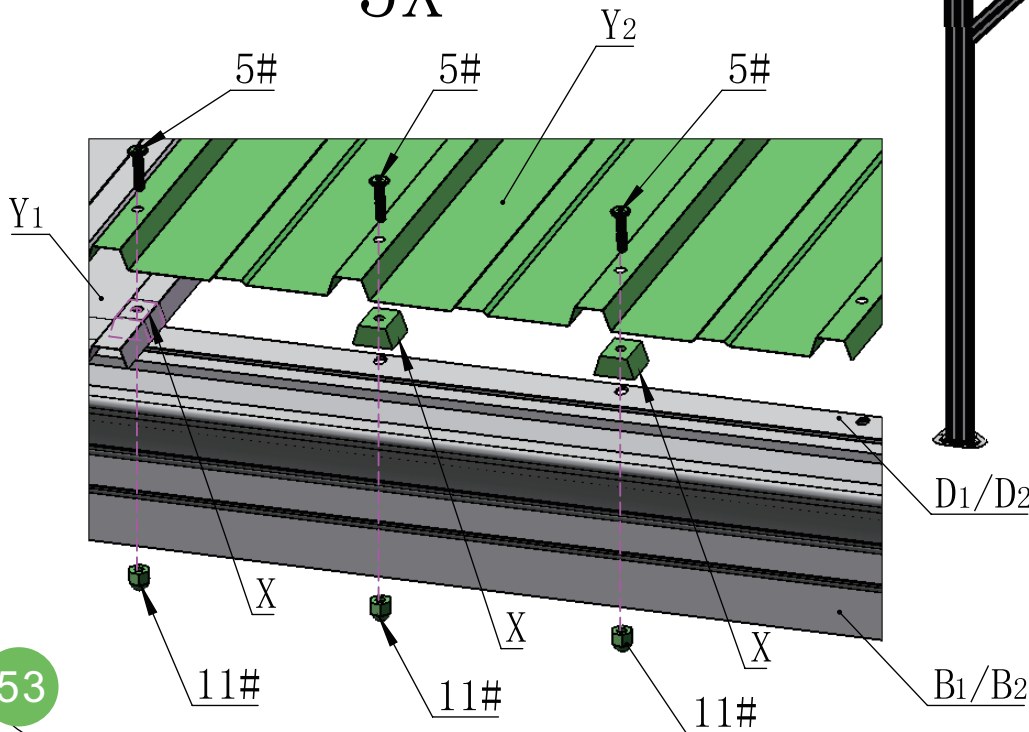
S4

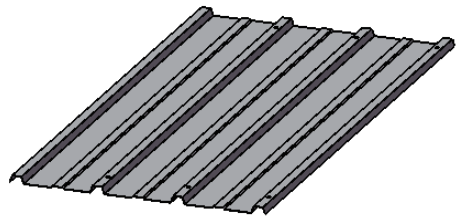


18# 1X

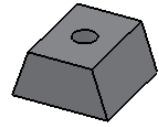


5X

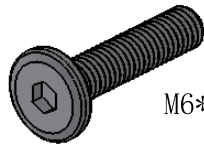




Y1 1X

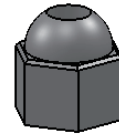


X 3X

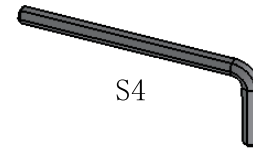


M6*28

5# 3X

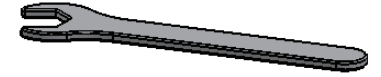


11# 3X

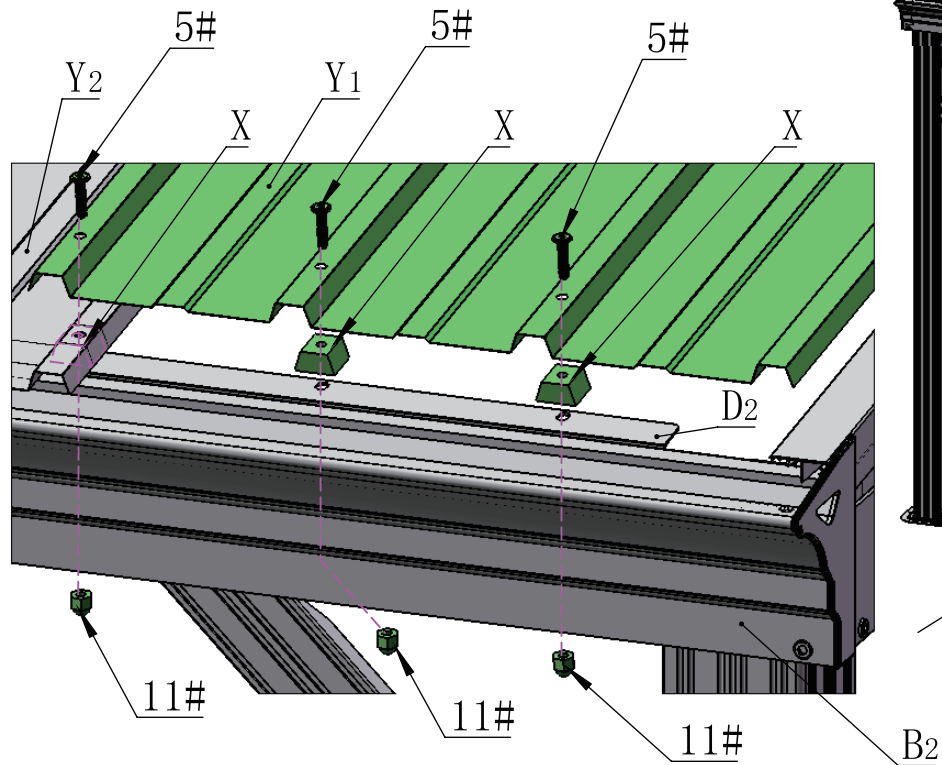


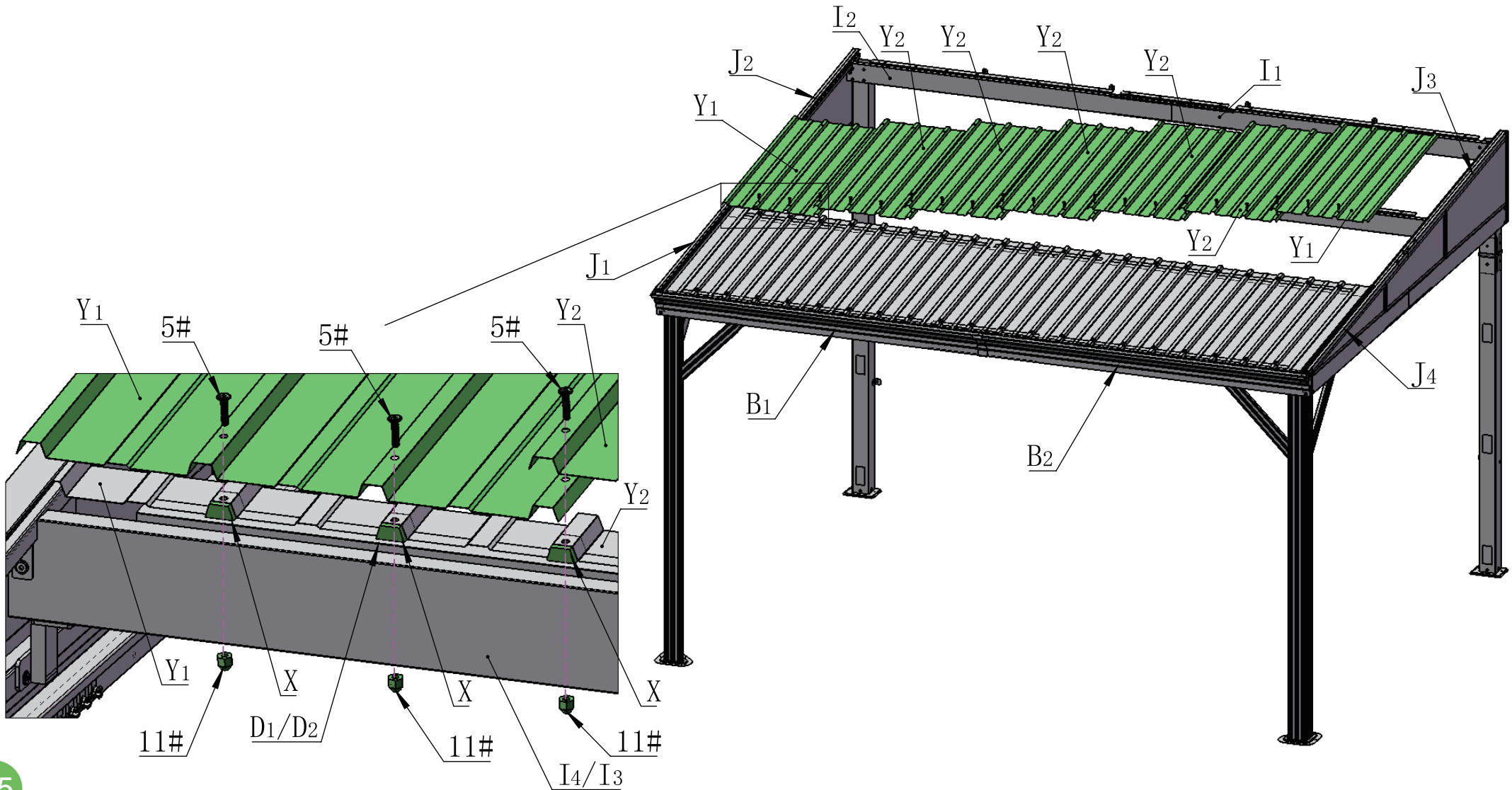
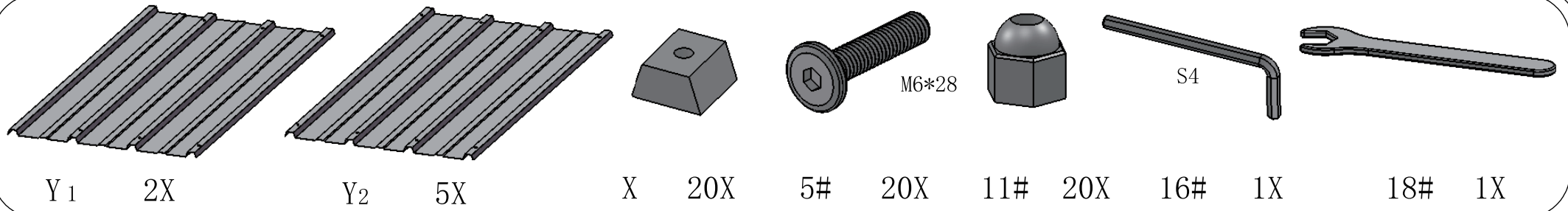
S4

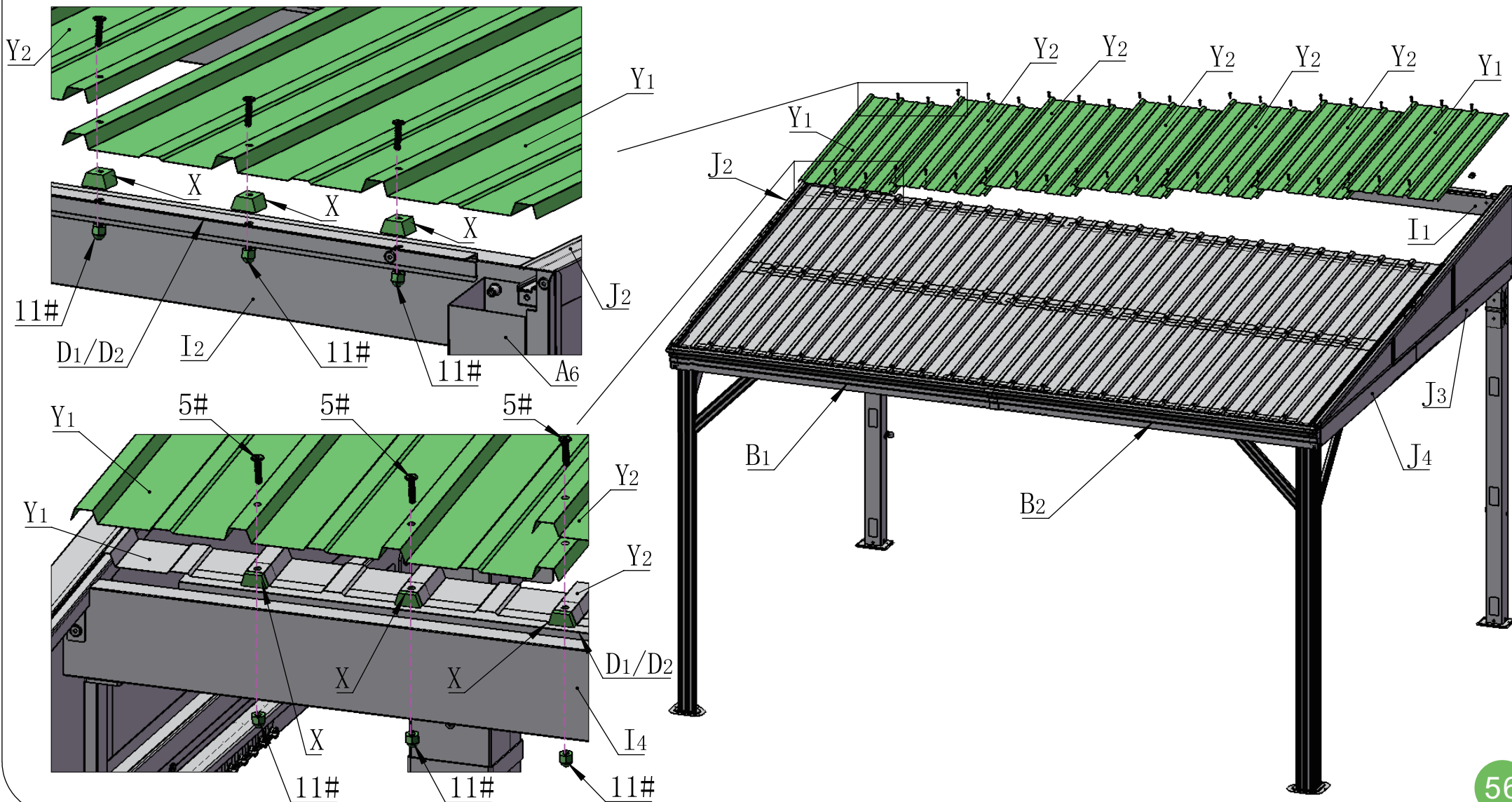
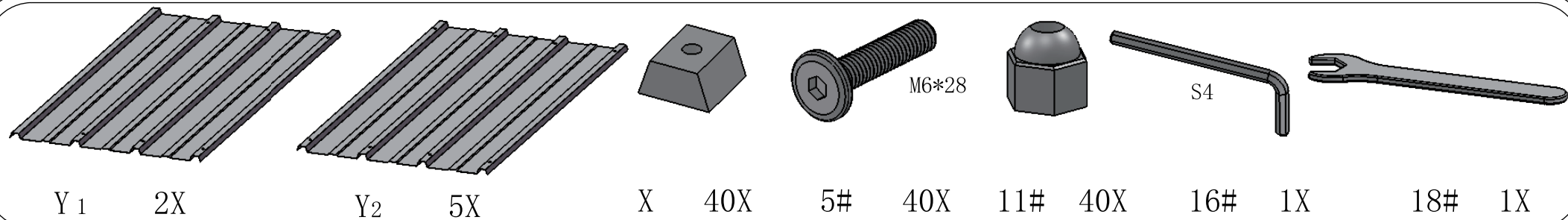
16# 1X

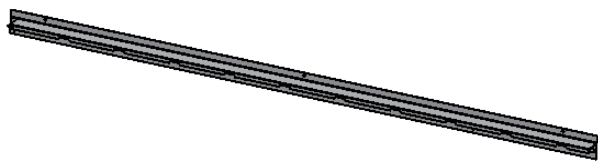


18# 1X

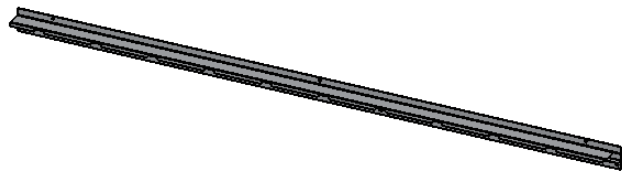




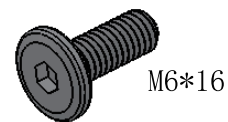




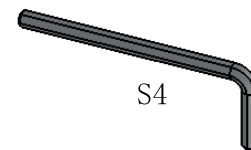
M1 1X



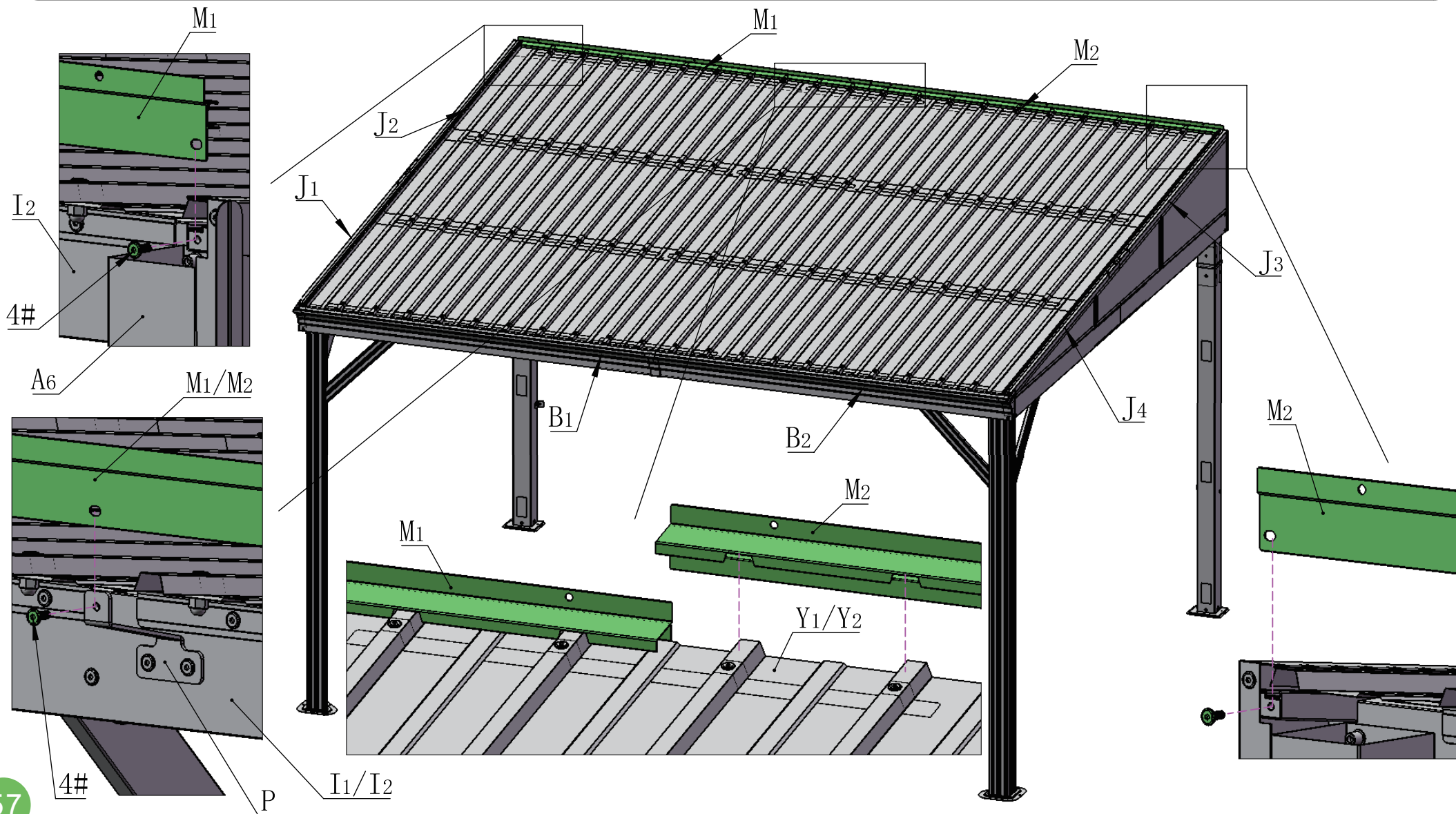
M2 1X

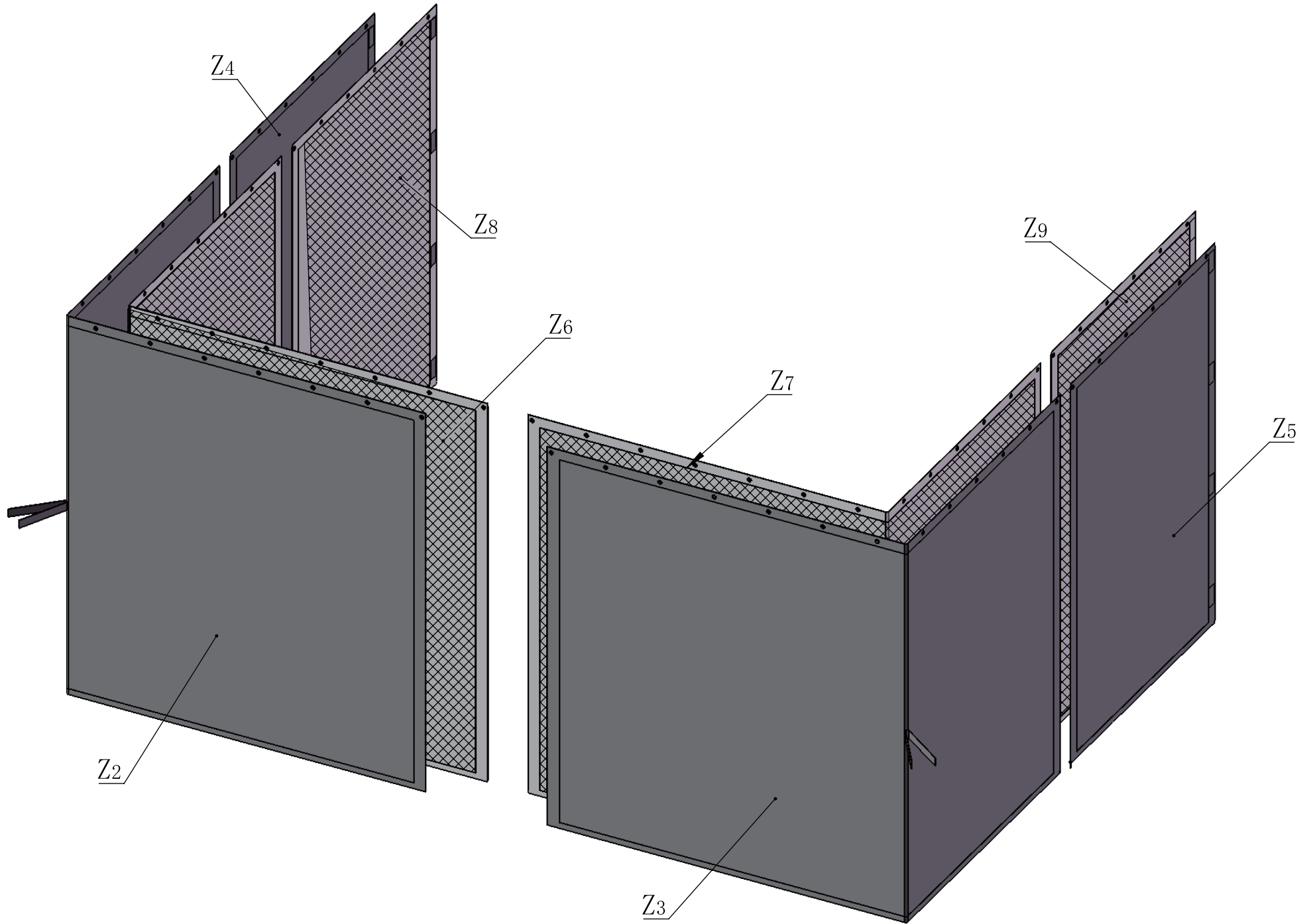


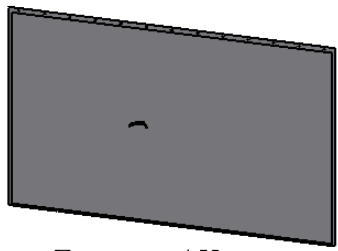
4# 6X



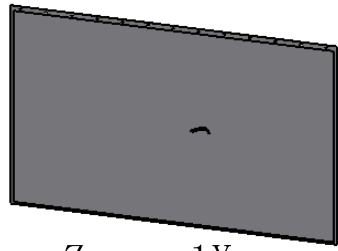
16# 1X



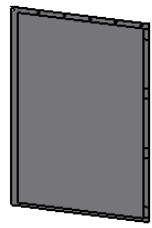




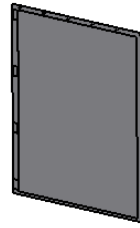
Z2 1X



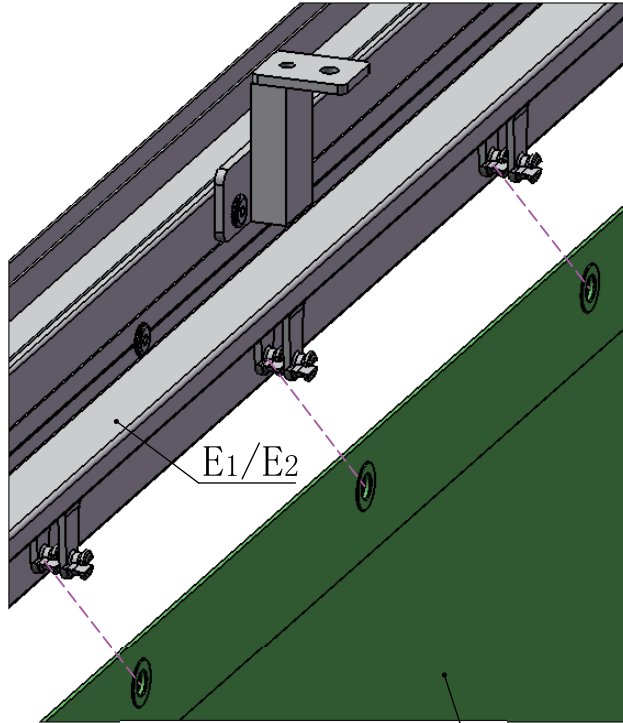
Z3 1X



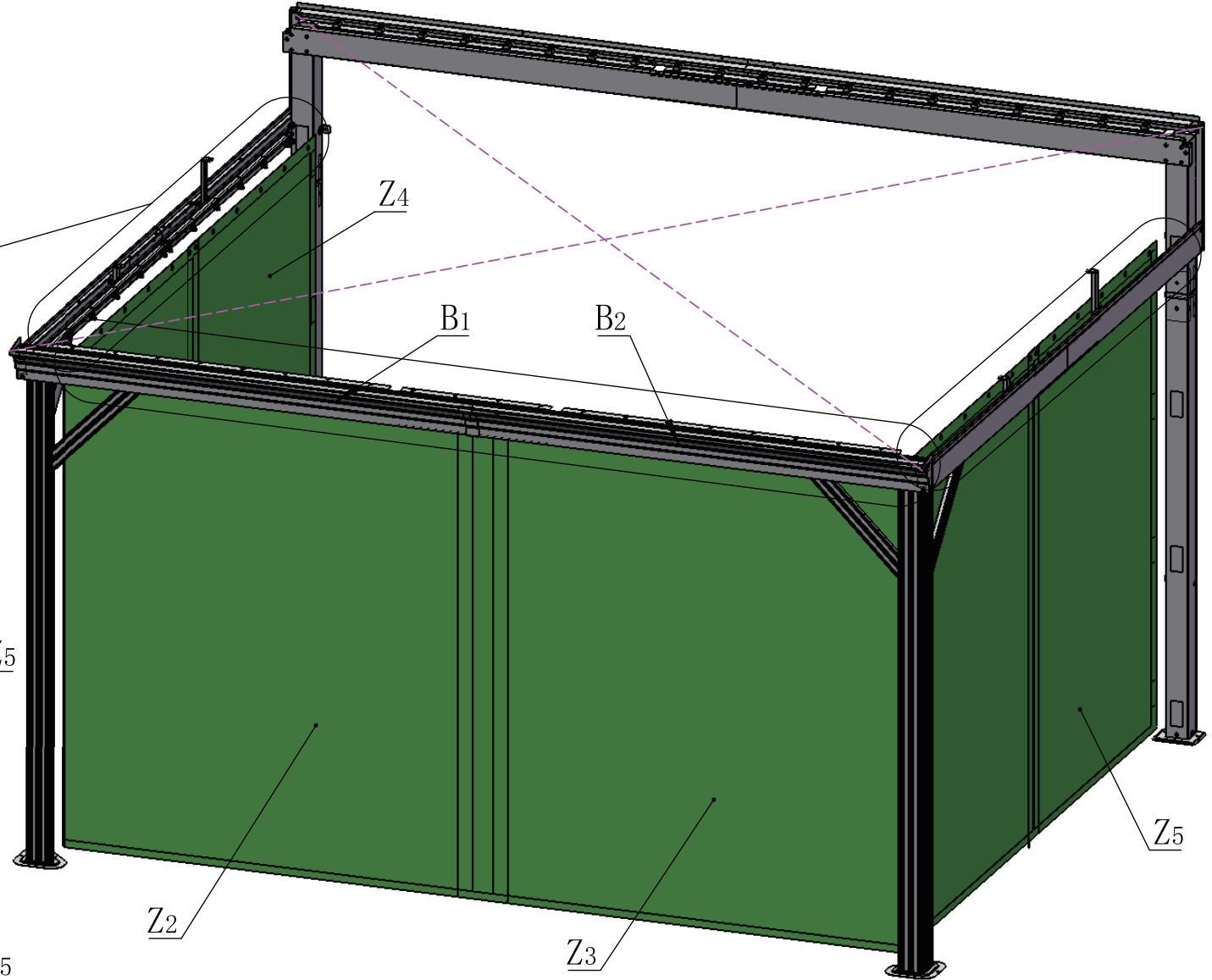
Z4 1X



Z5 1X



E1/E2



Z4

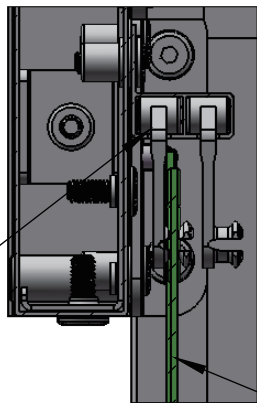
B1

B2

Z5

Z2

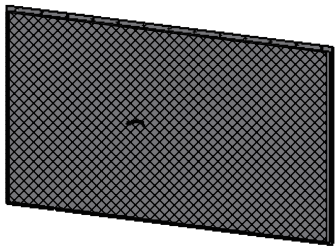
Z3



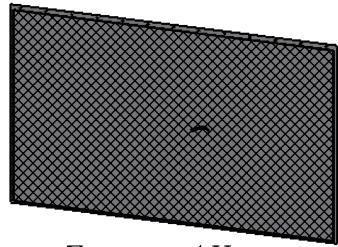
E1/E2

Z2/Z3/Z4/Z5

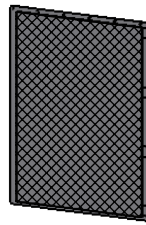
Z2/Z3/Z4/Z5



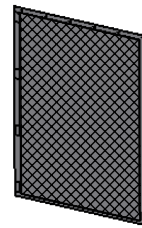
Z6 1X



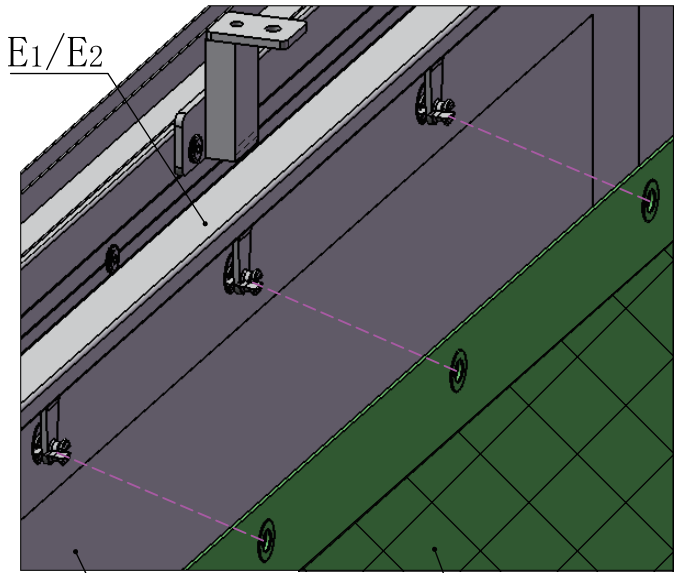
Z7 1X



Z8 1X



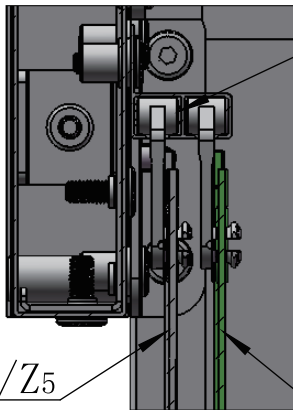
Z9 1X



E1/E2

Z2/Z3/Z4/Z5

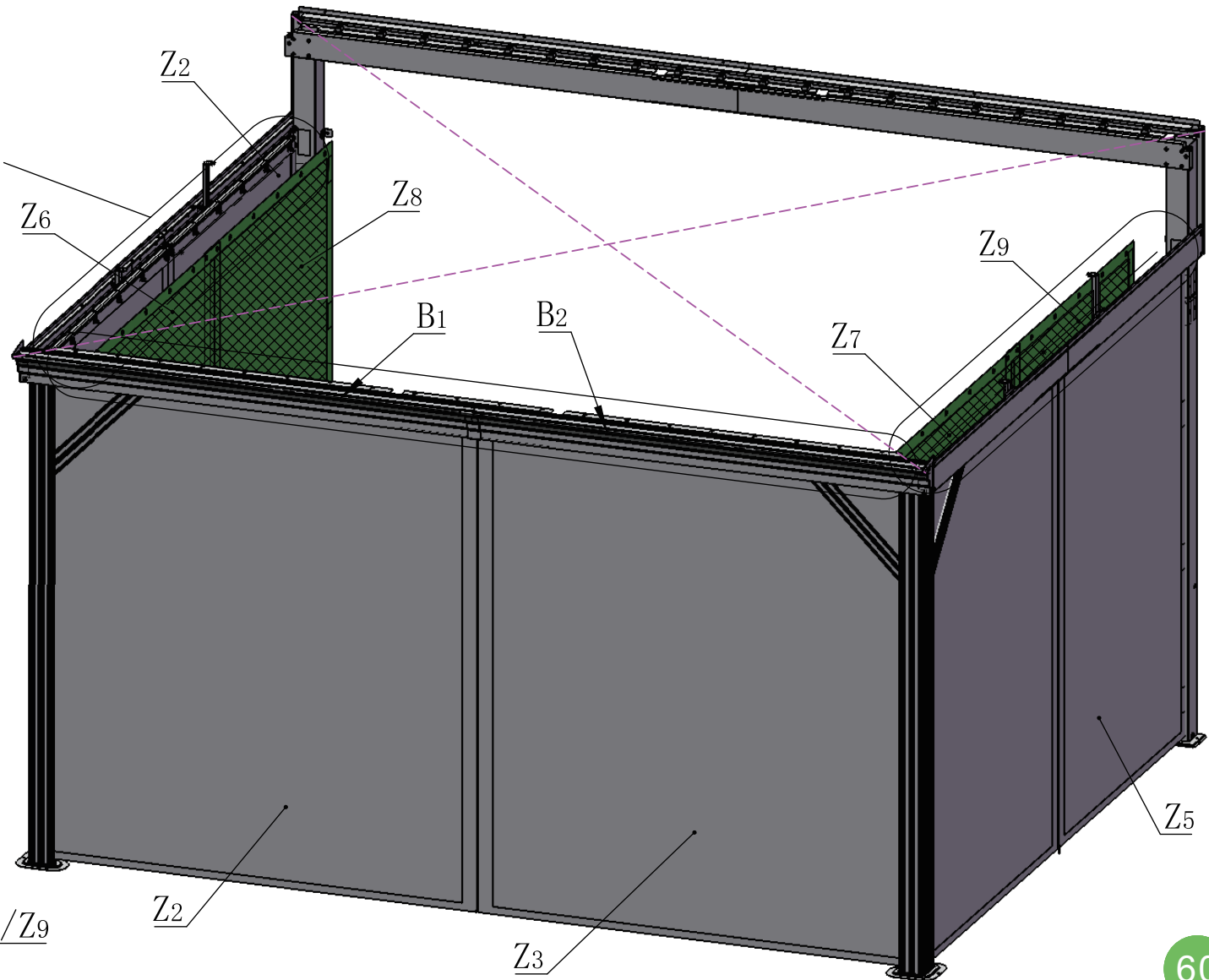
Z6/Z7/Z8/Z9



E1/E2

Z2/Z3/Z4/Z5

Z6/Z7/Z8/Z9



Z2

Z6

Z8

Z9

Z7

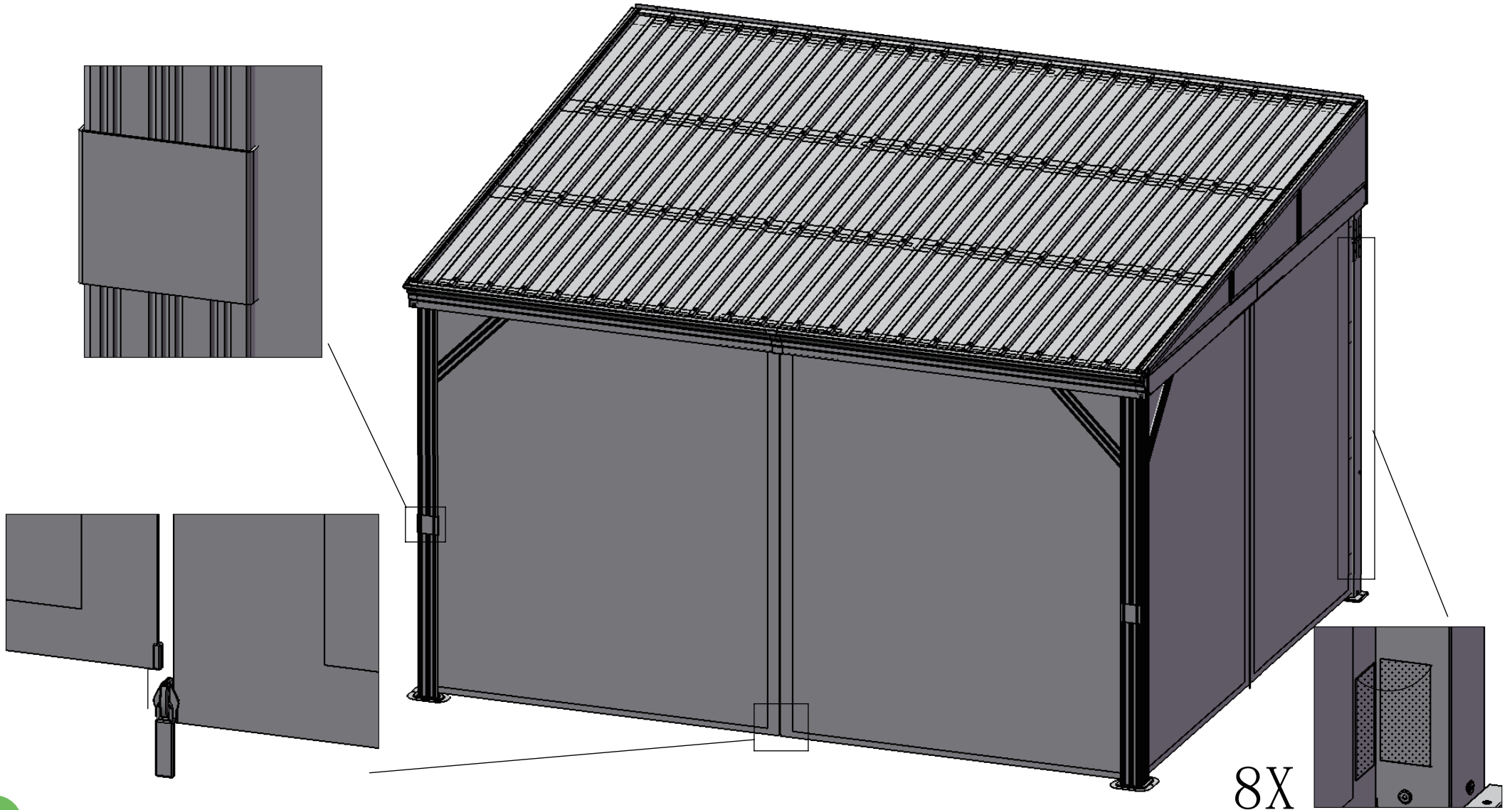
B1

B2

Z5

Z2

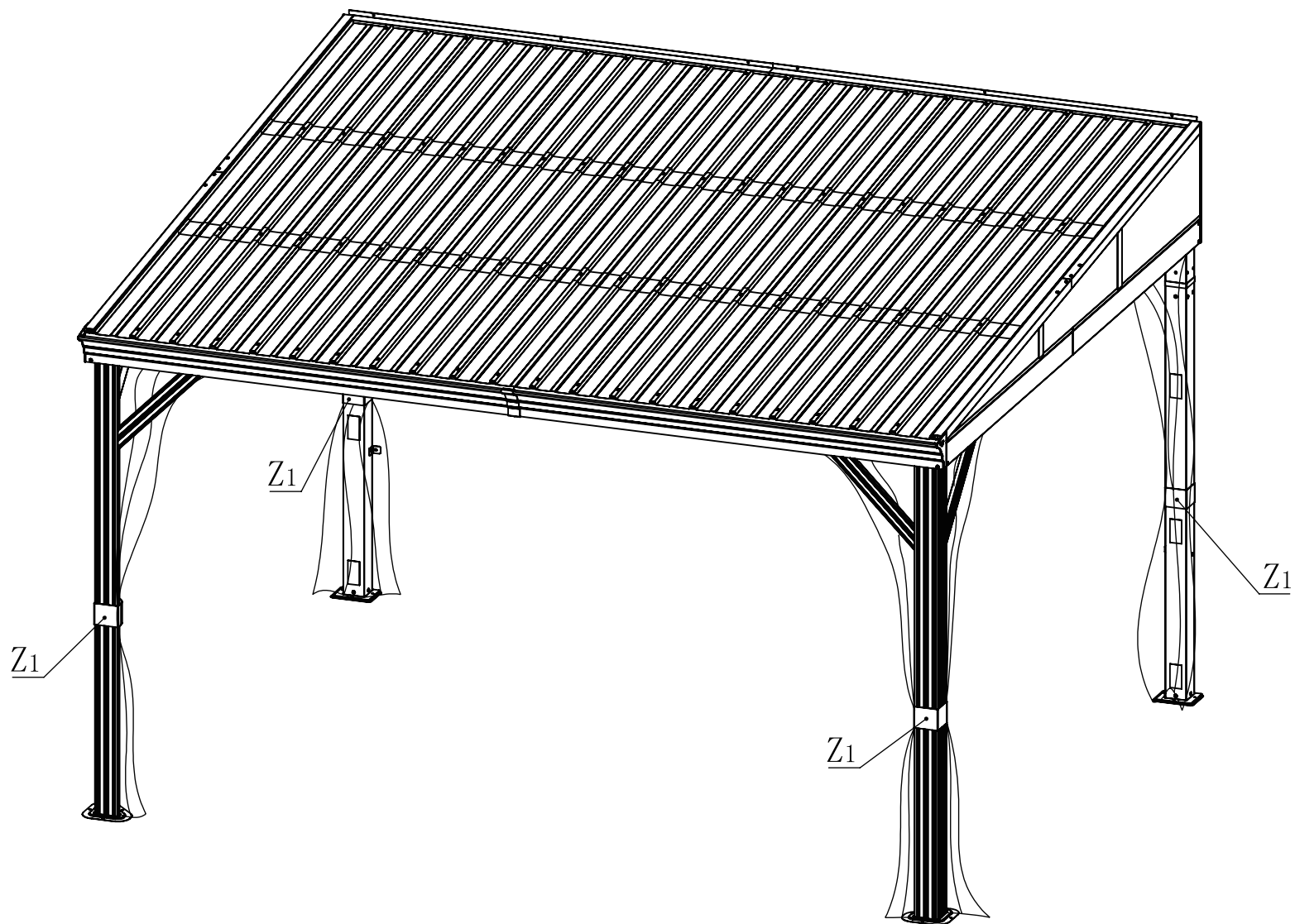
Z3



8X

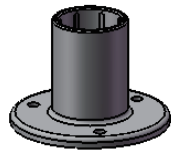


Z1 4X

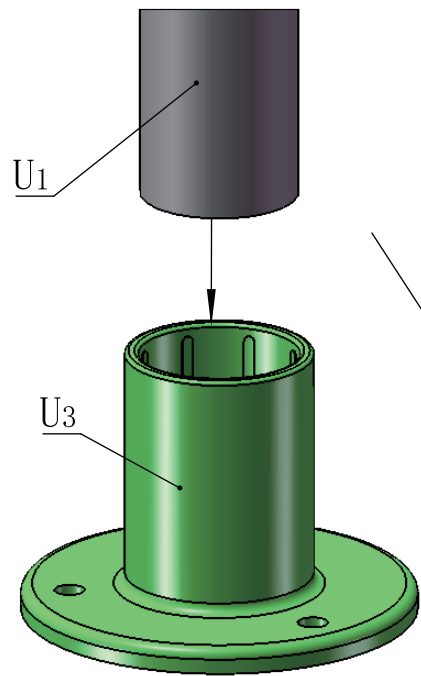




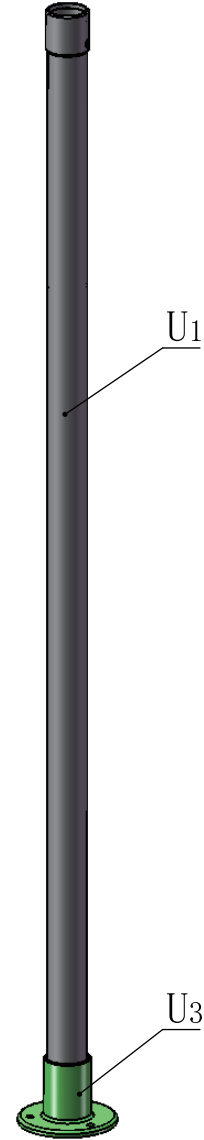
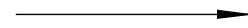
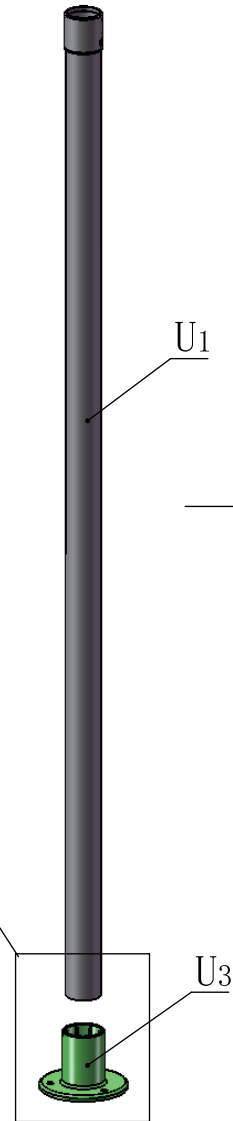
U₁ 2X



U₃ 2X

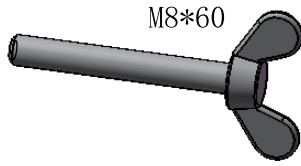


2X





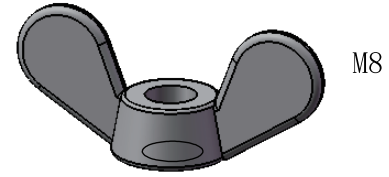
U₂ 2X



12# 2X

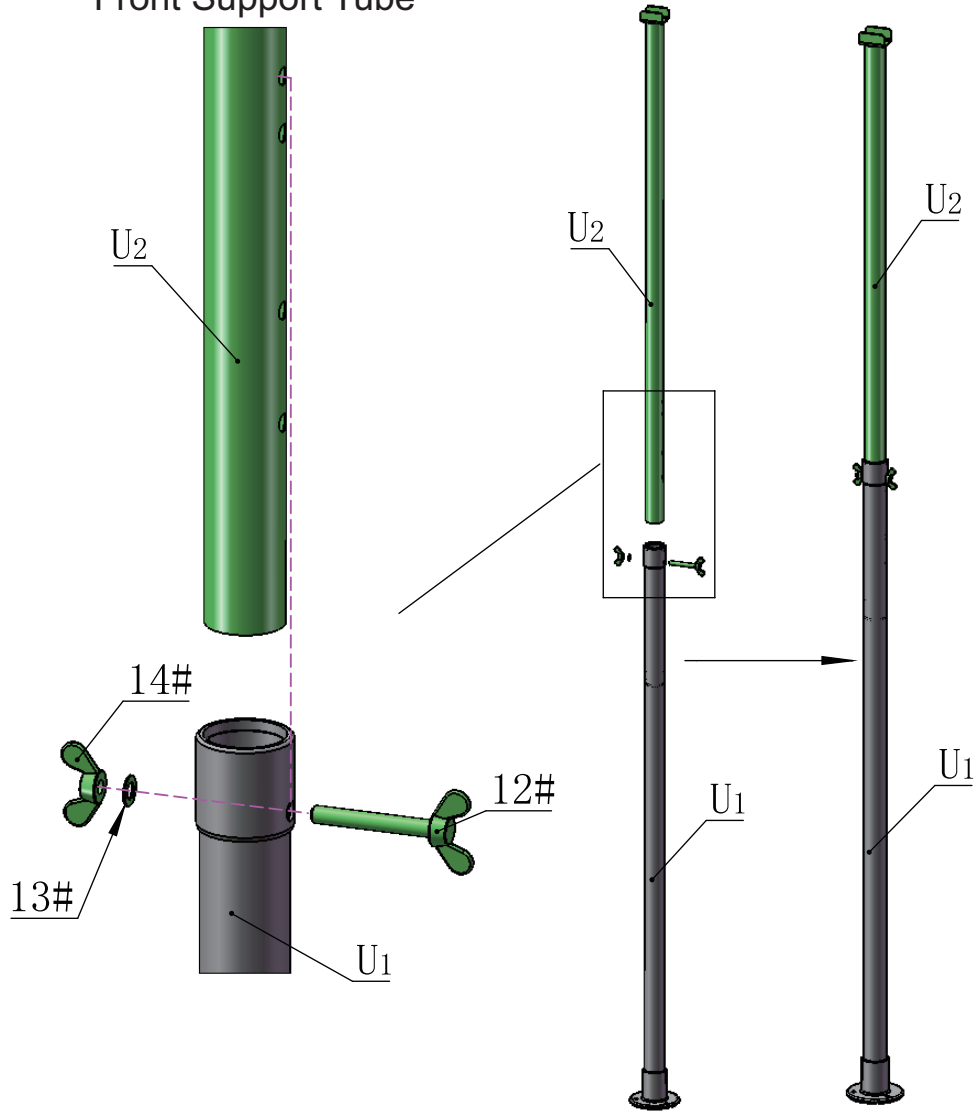


13# 2X

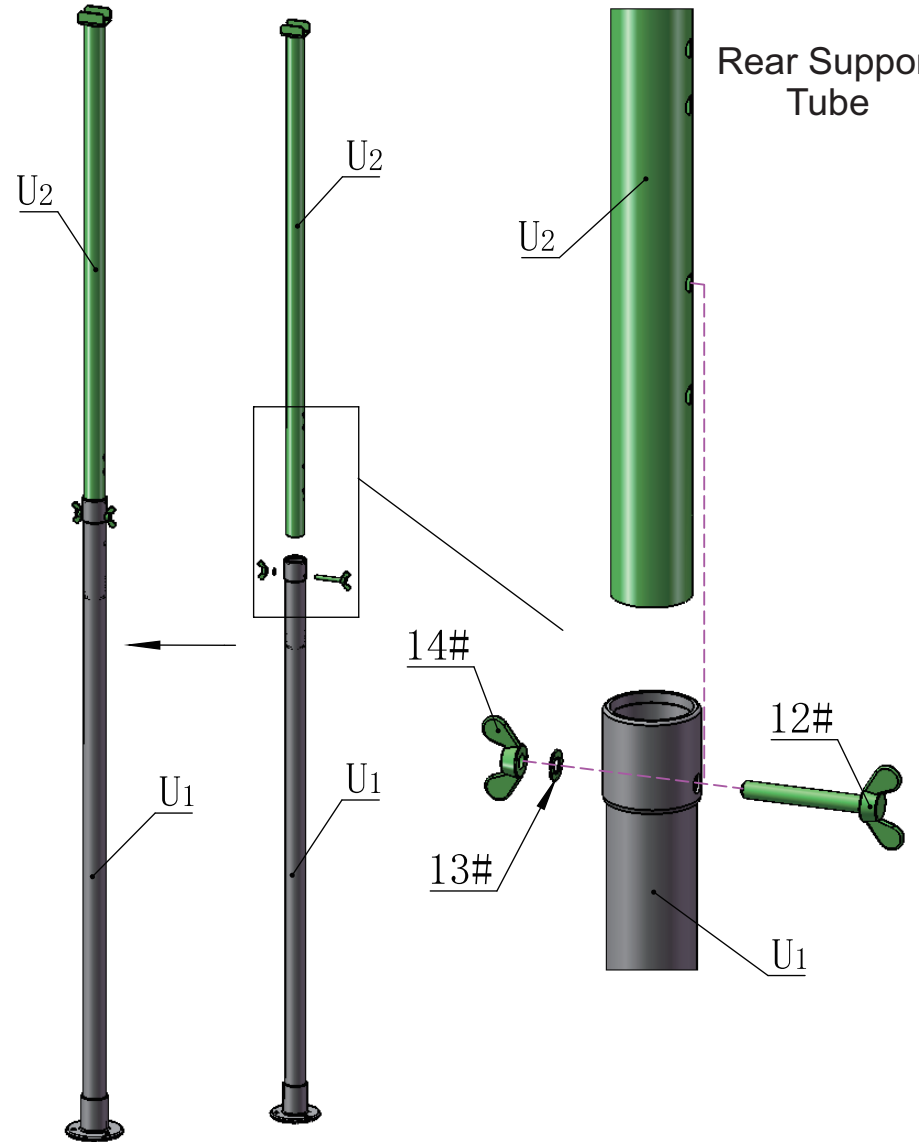


14# 2X

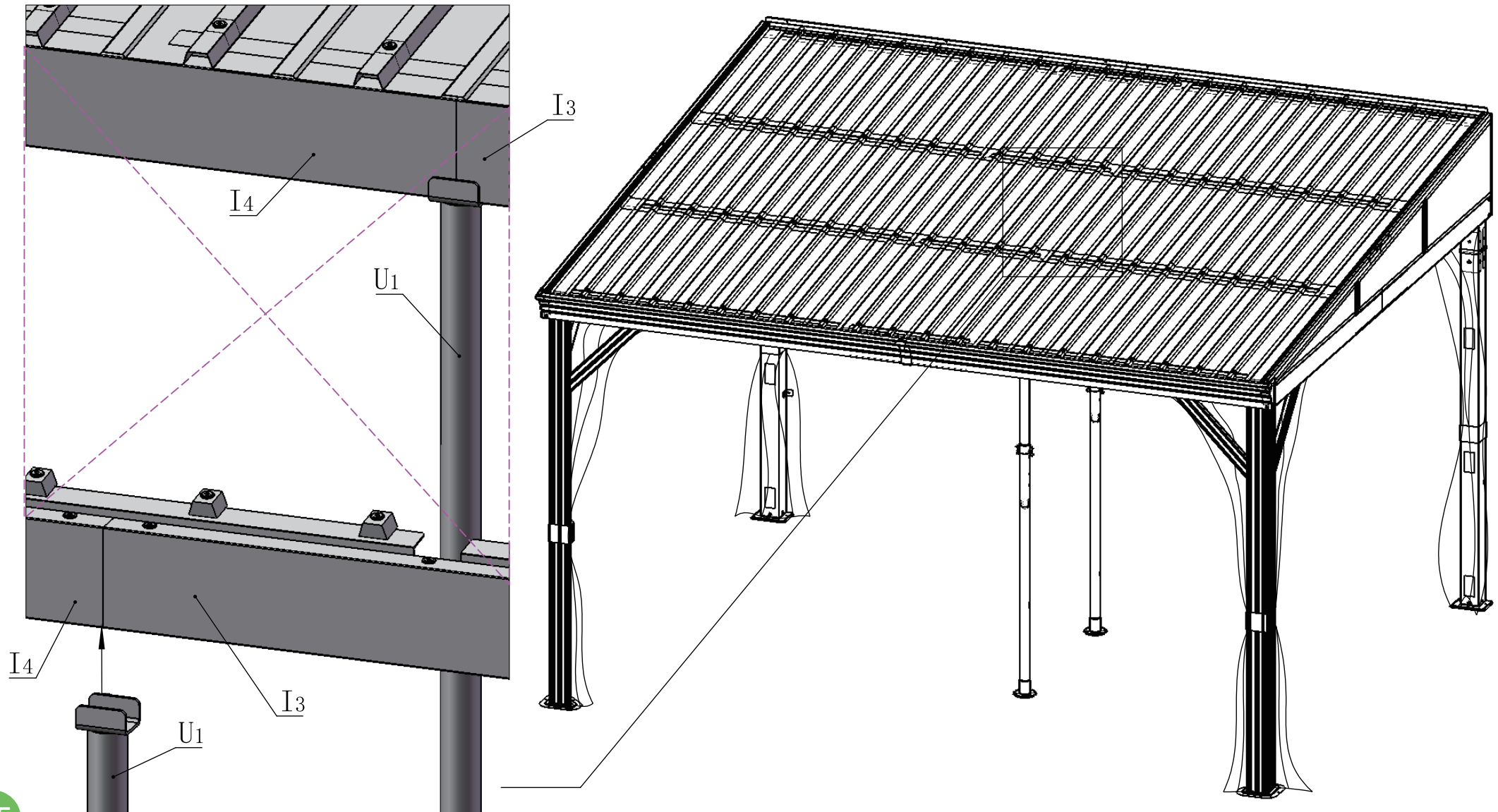
Front Support Tube

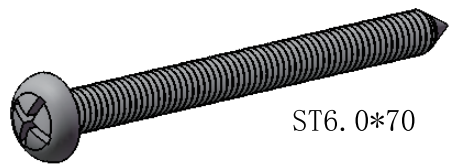


Rear Support Tube



⚠ The two support tubes can strengthen the weight capacity of the metal roof. In bad weather, especially snowstorm, they are essentially needed to prevent the roof from collapsing under heavy snow. In daily life, you can put them away.

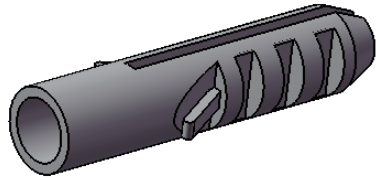




ST6.0*70

9#

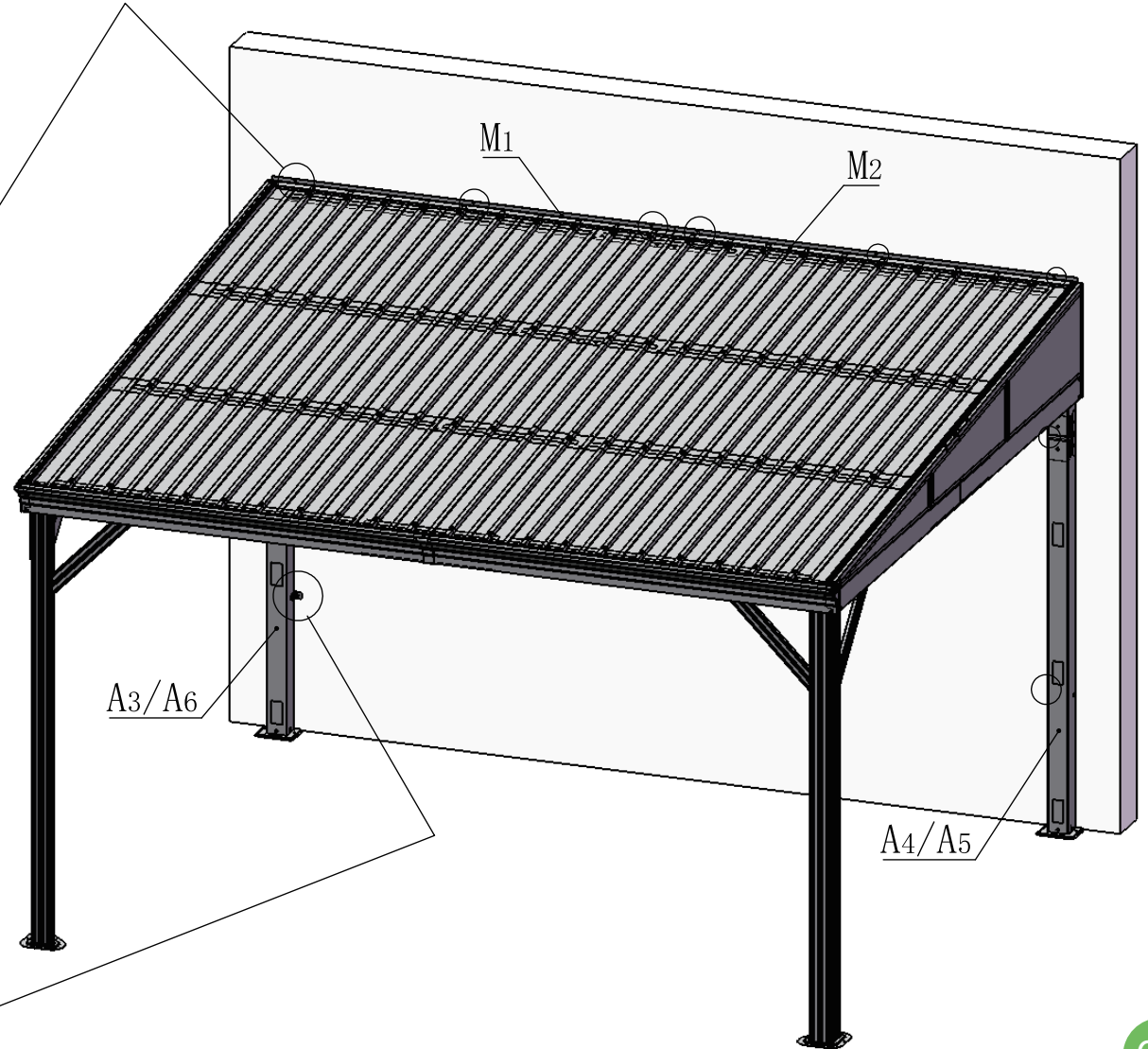
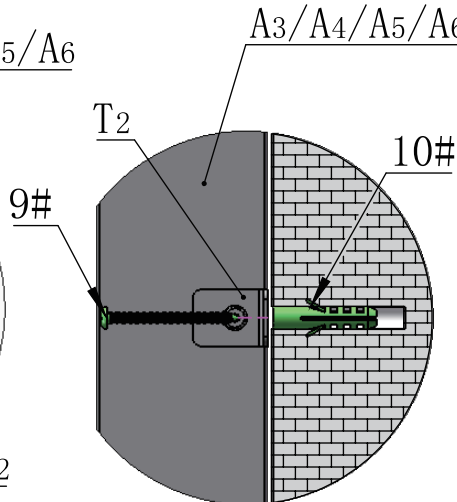
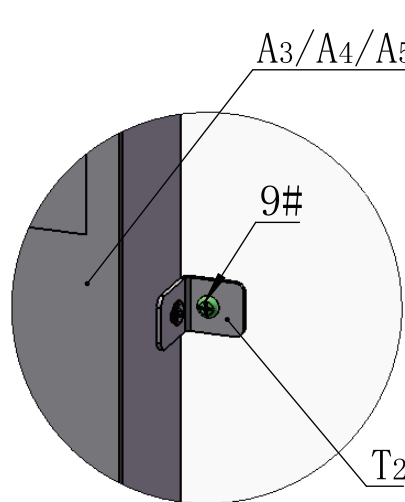
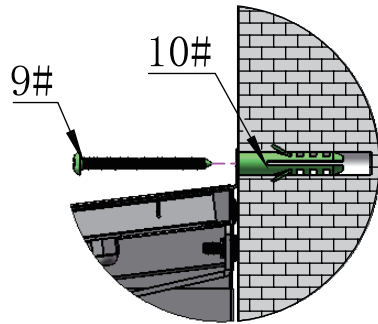
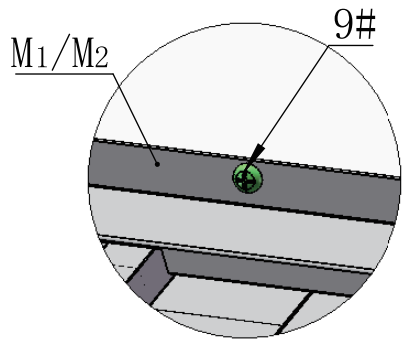
10X



10#

10X

▲ Install this step if you need fix the canopy to the wall (you need to drill holes into the wall). Otherwise please skip this step.



Care and Cleaning

Wash frame parts and fabric with mild soap and water, rinse thoroughly.

Dry frame completely and allow the fabric to drip dry.

Do not use bleach, acid, or other solvents on the fabric or frame parts.

Please inspect and tighten all bolts or fasteners on a regular basis to ensure proper performance and safety of your gazebo.

Warranty

Frames

Frames constructions are warranted to be free from defects in material and workmanship for 1 year from item purchased. Damage to frame from negligence won't be covered by this warranty.

Netting

Netting are warranted to be free from defects in material and workmanship for 1 year from item purchased. Damage from exposure to chemicals (including but not only oils ,spills, fluids) won't be covered by this warranty.

Bolts & nuts

Bolts and nuts are warranted to be free from defects in material and workmanship for 1 year from item purchased. Damage from exposure to chemicals (including not only oils ,spills, fluids) won't be covered by this warranty.

Warranty Limitation

This warranty is for the original purchase order only. (Order number required). This warranty is non-transferable. Domi outdoor living is responsible for the free replacement part including shipping charges for the 1 year warranty.

Warranty Exclusion

This warranty does not cover products subject to negligence, abuse usage, inappropriate installation. Domi outdoor living reserves the right to explain warranty exclusions. When the replacement item is applied, the 1 year warranty automatically expires. Please feel free to contact us for applying warranty.



RESORT COMFORT IN YONR
OWN BACKYARD

Support:



Business cooperation contact email:

marketing@domioutdoorliving.com

After-sales contact email:

service@domioutdoorliving.com

Please tell us your order ID when contact.

Attach photos of damaged part for instant reply.