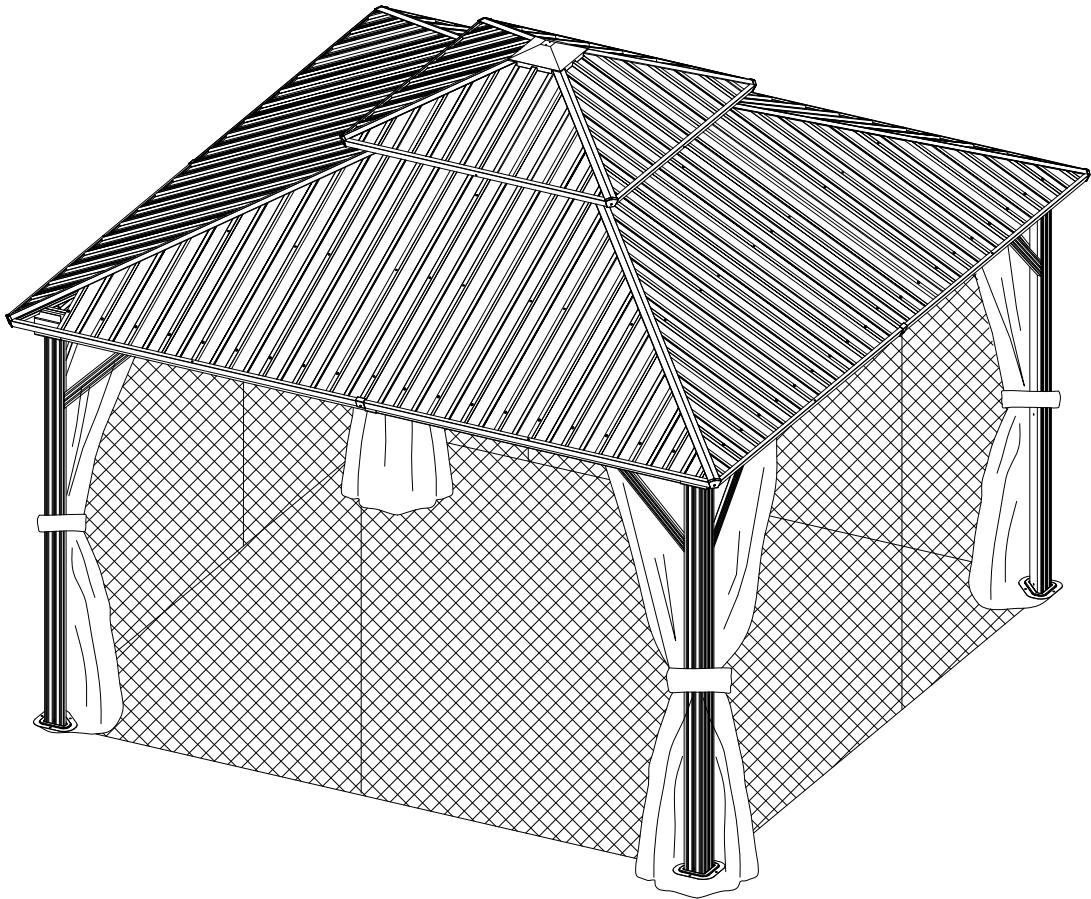




12' × 12' Metal Patio Gazebo

ASSEMBLY MANUAL



MODEL#:LGMF1588B

Missing part? Damaged? Contact us via email at

service@domioutdoorliving.com

www.domioutdoorliving.com

Pre-assembly



1. Two or more people are required for assembly.



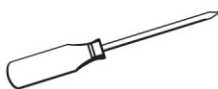
2. You will need one or more stepladders.



3. Wearing protective gloves is recommended.



4. You may need a safety hat.



5. Please use a Phillips screw driver.



6. For ease of construction, you may need a drill.



7. You may need a safety goggle.



8. Do not fully tighten screws prior to complete assembly.

Warning & Attention

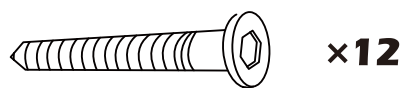
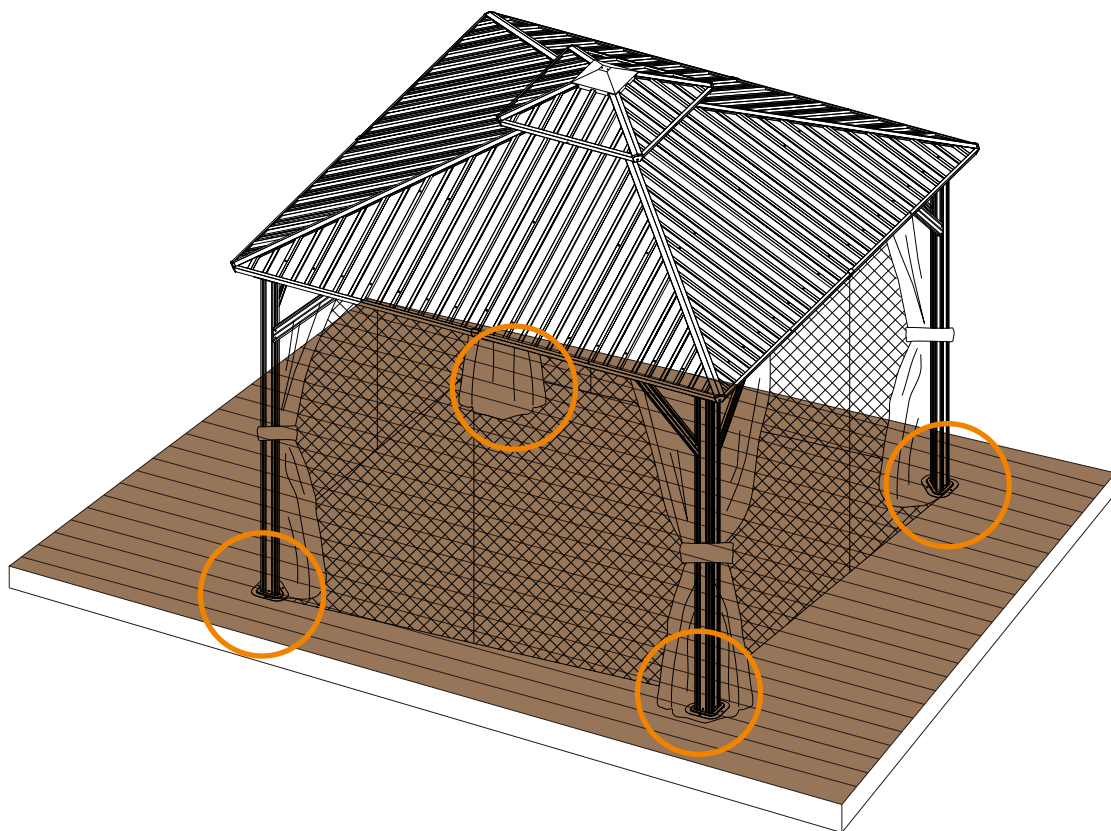
-Try to assemble this product on the flat ground, otherwise it is difficult to carry out;

-It would be much easier to assemble the product with three or more people;

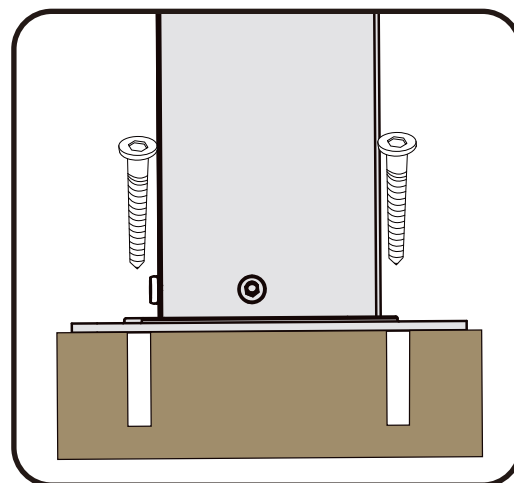
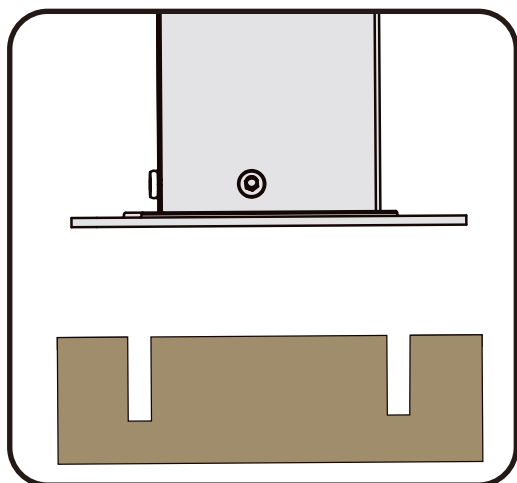
-After assembly, please check whether all screws are tightened, to prevent parts from falling apart.

▲ Use bolts to secure the frame to the ground to against the strong wind.

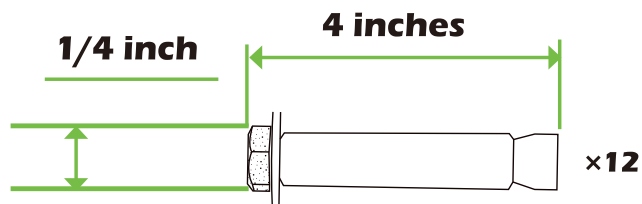
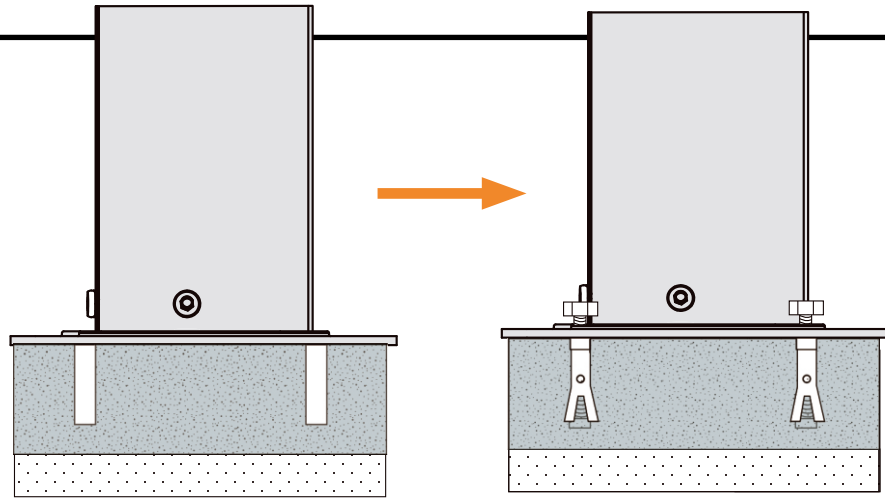
1



If the deck is hard wood and the depth of it is over 3 inch, you can use **5/16 in. x4 in. Structural Wood Screw** to mount the gazebo.

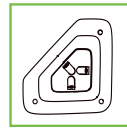
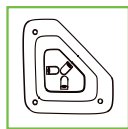


2



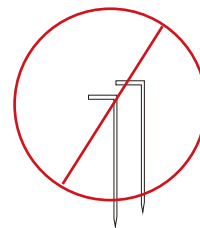
If the ground is concreted and the depth of it is over 3 inch, you can use 1/4 inch expansion bolts to mount the gazebo

3



Or you can make a concrete footing for gazebo, **15×15×15 inches** is recommended. use expansion bolts to mount the pergola like (2) shows.

IMPORTANT:
Anchor is not recommended





A 4x Pole



C 4x Beam



C1 4x Beam



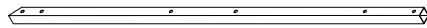
E 4x Corner Roof Bar



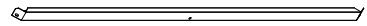
E1 4x Corner Roof Bar Connector



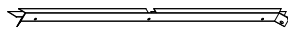
E2 4x Roof Bar



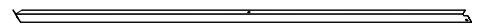
F 8x Solidifying Bar



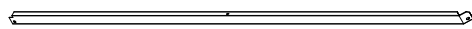
H 4x Finishing Bar



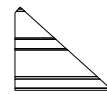
J 4x Finishing Bar



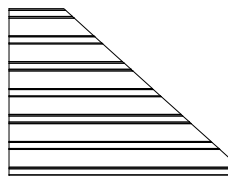
K 4x Finishing Bar



K1 4x Finishing Bar



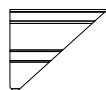
L1 4x Roof Panel



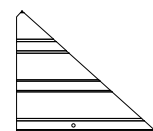
L2 4x Roof Panel



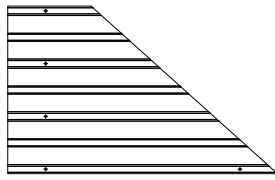
L3 4x Roof Panel



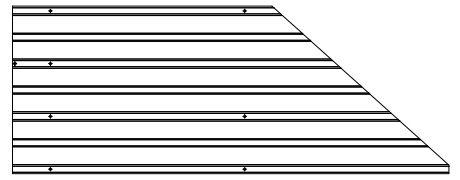
L4 4x Roof Panel



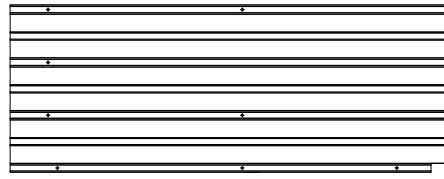
M1 4x Roof Panel



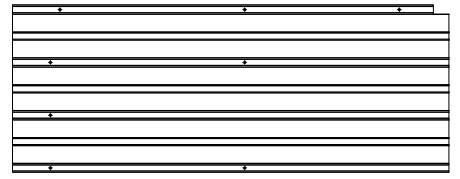
(M2) 4x Roof Panel



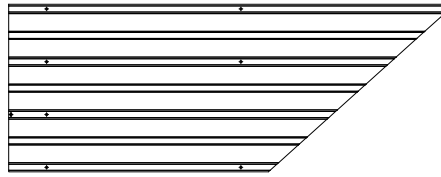
(M3) 4x Roof Panel



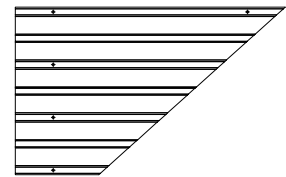
(M4) 4x Roof Panel



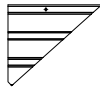
(M5) 4x Roof Panel



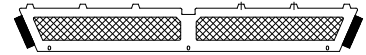
(M6) 4x Roof Panel



(M7) 4x Roof Panel



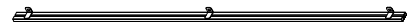
(M8) 4x Roof Panel



(Q) 4x Net Frame



(T) 4x Track



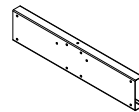
(T1) 4x Track



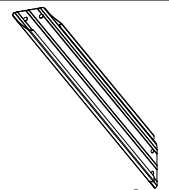
(B) 4x Base



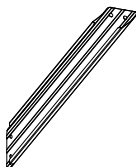
(B1) 8x Bracket



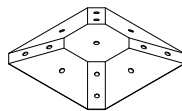
(C2) 4x Union Bar



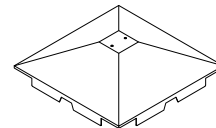
(R) 4x Corner Solidifying Bar



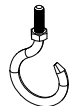
(R1) 4x Corner Solidifying Bar



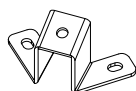
(S) 1x Inside Roof Connector



(S1) 1x Outside Roof Connector



(S2) 1x J-Hook



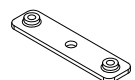
(U) 4x Bracket



(U1) 4x Bracket



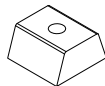
(U2) 4x Bracket



(U3) 4x Joint Cover



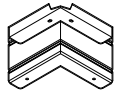
V 112x Hook



W 116x Black Rubber



X 4x Joint Cover



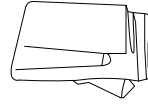
X1 4x Corner Cover



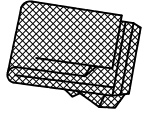
X2 4x Finishing End



X3 12x Finishing End



Y 4x Solid Sidewall



Y1 4x Mosquito Netting



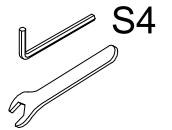
Z 72x Plastic Bracket



Z1 8x Plastic Bracket



Z2 8x Plastic Bracket



1 1x



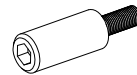
ST6.3x15

2 24x



ST5x16

3 24x



M6x35

4 32x



M6

5 116x



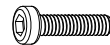
M6x10

7 16x



M6x16

8 200x



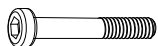
M6x25

9 8x



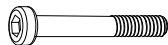
M6x28

10 72x



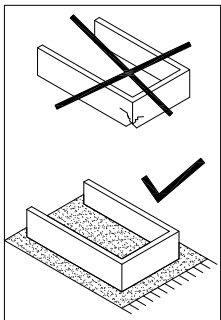
M6x45

11 4x

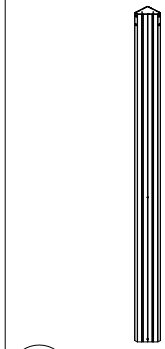


M6x50

12 32x



POST ASSEMBLY:



A 4x



B 4x



B1 8x

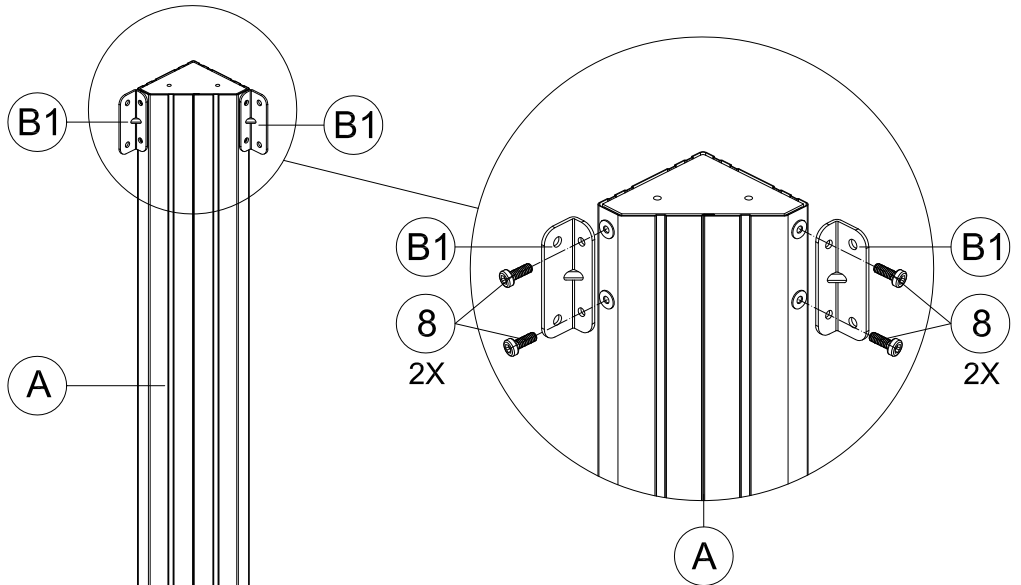


1 1x



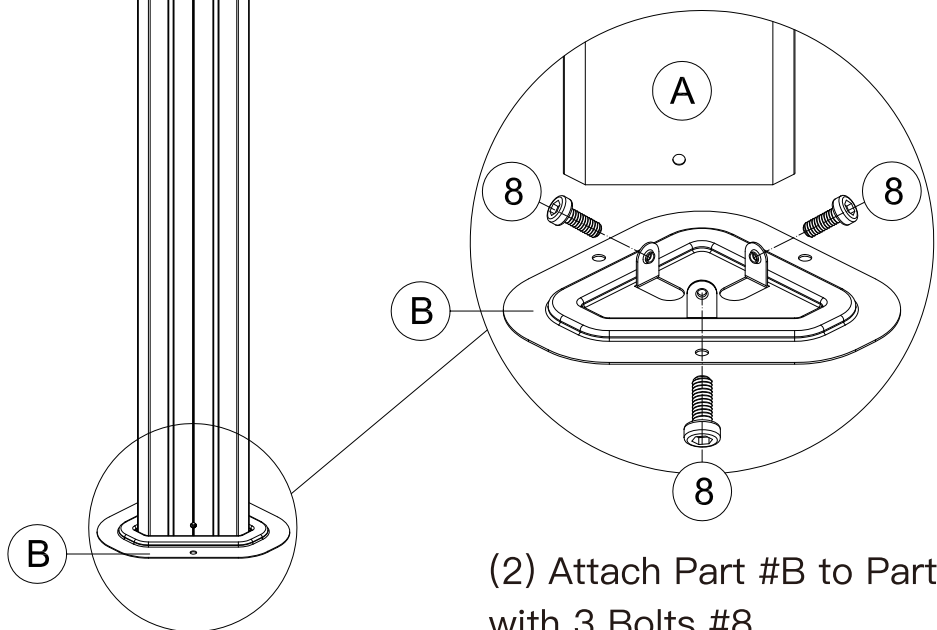
M6x16

8 28x



(1) Attach 2 Part #B1 to Part #A with 4 Bolts #8.

X4

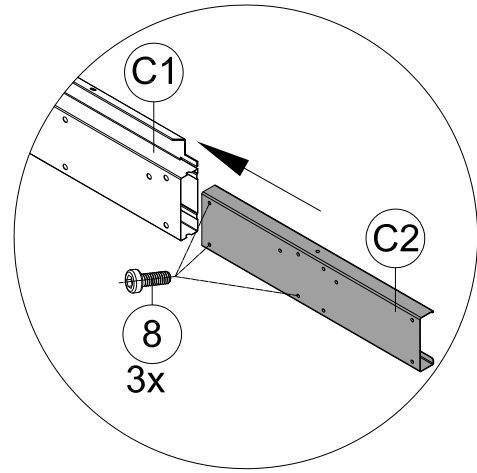
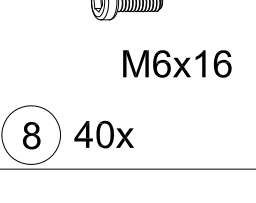
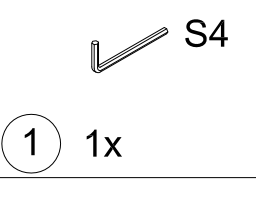
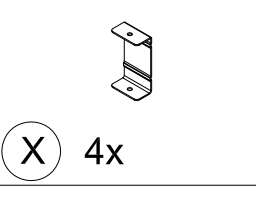
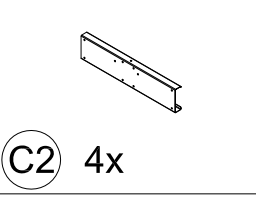
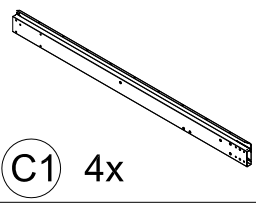
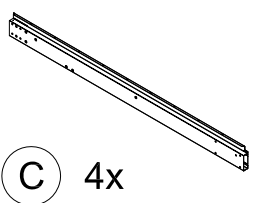


(2) Attach Part #B to Part #A with 3 Bolts #8.

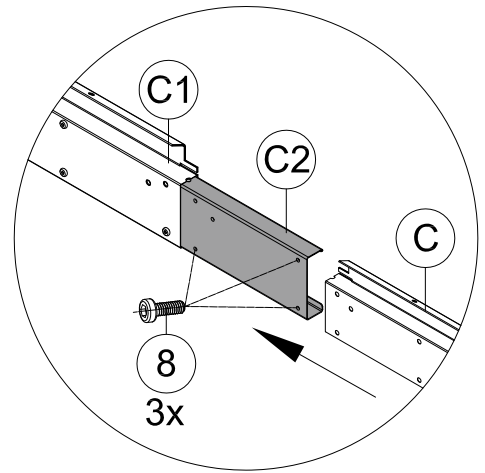
5

(3) Repeat the above procedures to assemble the other 3 Part #A.

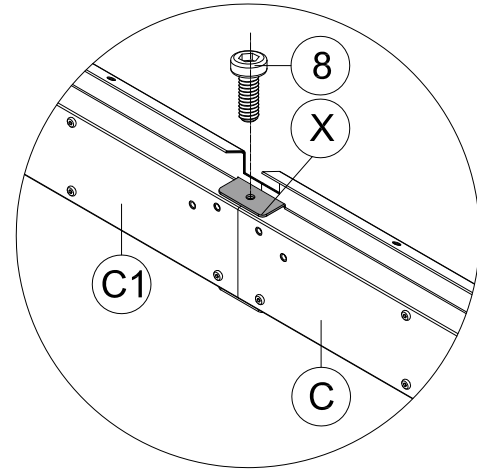
BEAM ASSEMBLY:



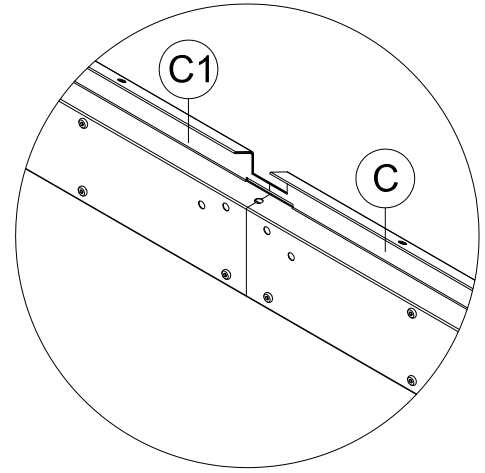
(1) Insert Part #C2 into Part #C1 and secure with 3 Bolts #8.



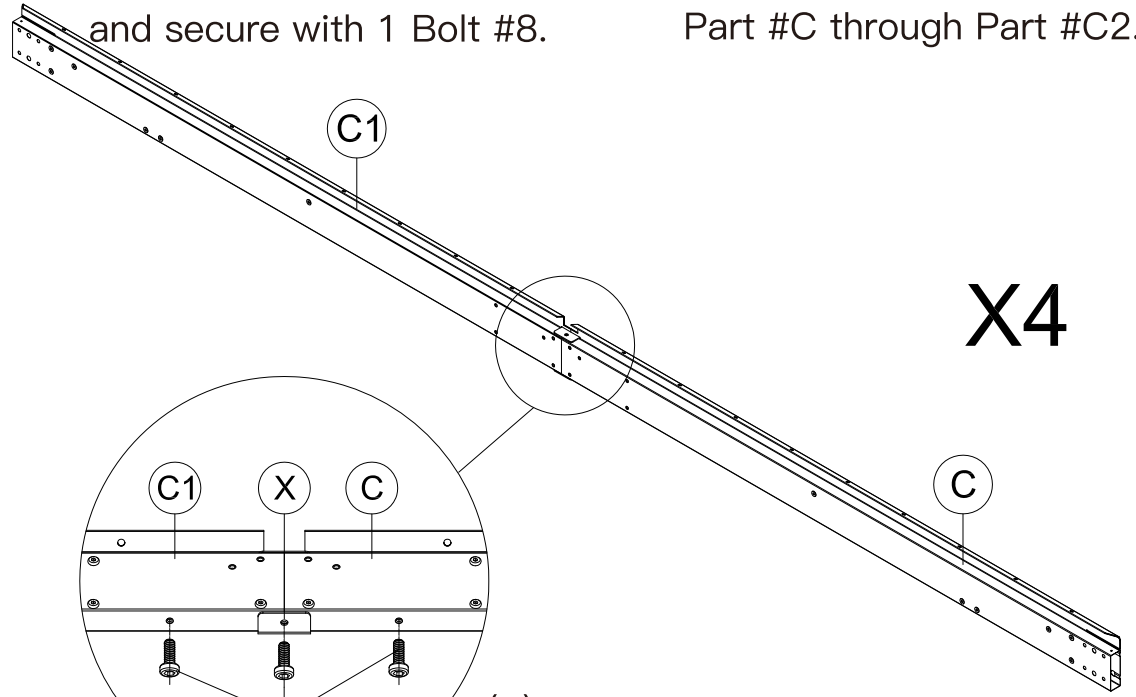
(2) Insert the other side of Part #C2 into Part #C and secure with 3 Bolts #8.



(3) Connect Part #C1 and Part #C through Part #C2.

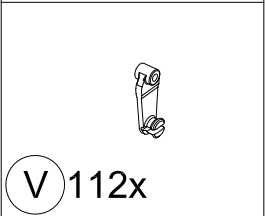
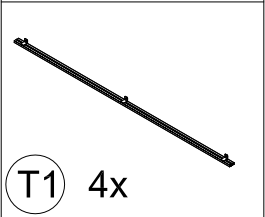
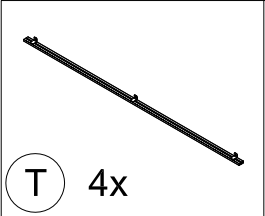


(4) Insert Part #X into the beam and secure with 1 Bolt #8.



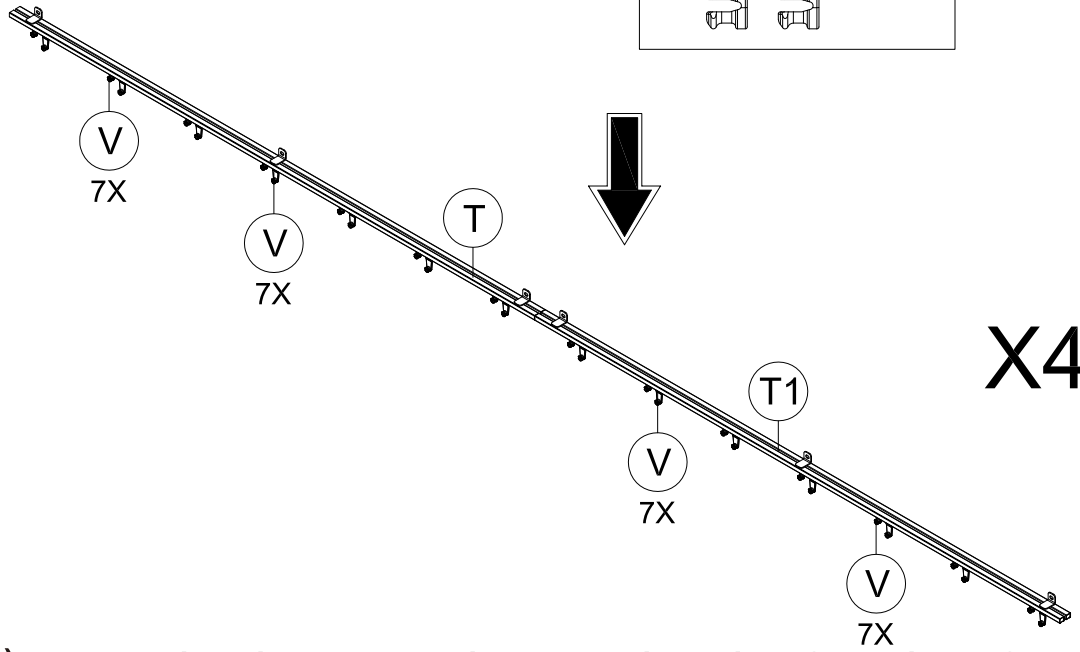
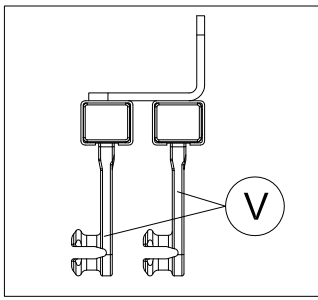
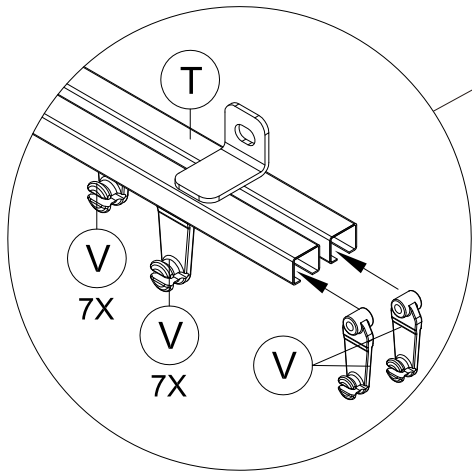
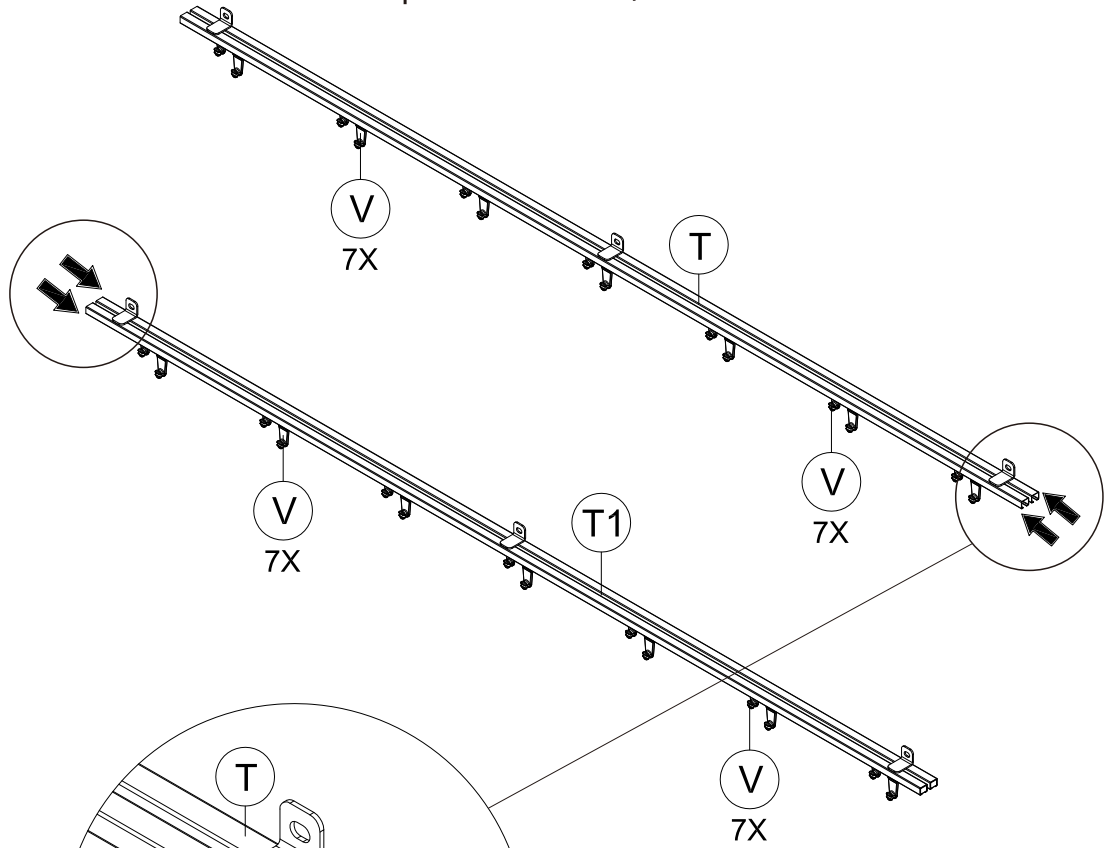
(5) Secure the bottom of Part #X and Part #C/C1 with 3 Bolts #8.

(6) Repeat the above procedures to assemble the other 3 beams.



TRACK ASSEMBLY:

(1) Slide the plastic hooks to the double-rail track #T & T1 (each slot should slide 7 plastic hooks).



7

(2) Repeat the above procedures for the other 3 track #T & T1.

✓ S4

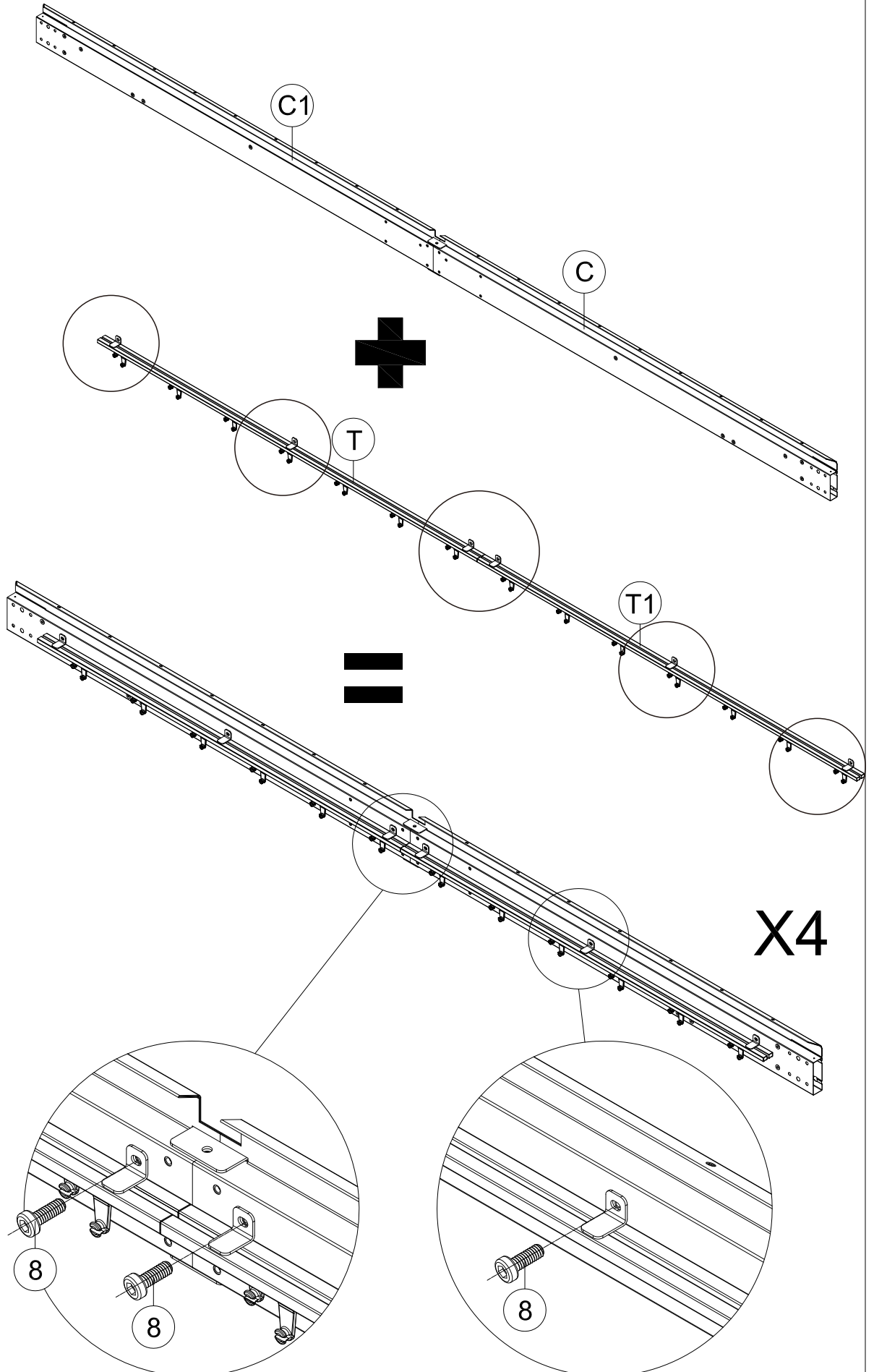
1 1x



M6x16

8 24x

(1) Use 6 Bolts #8 to fix the track T & T1 to the beam C & C1.



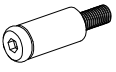
8

(2) Repeat the above procedures for the other 3 beams.



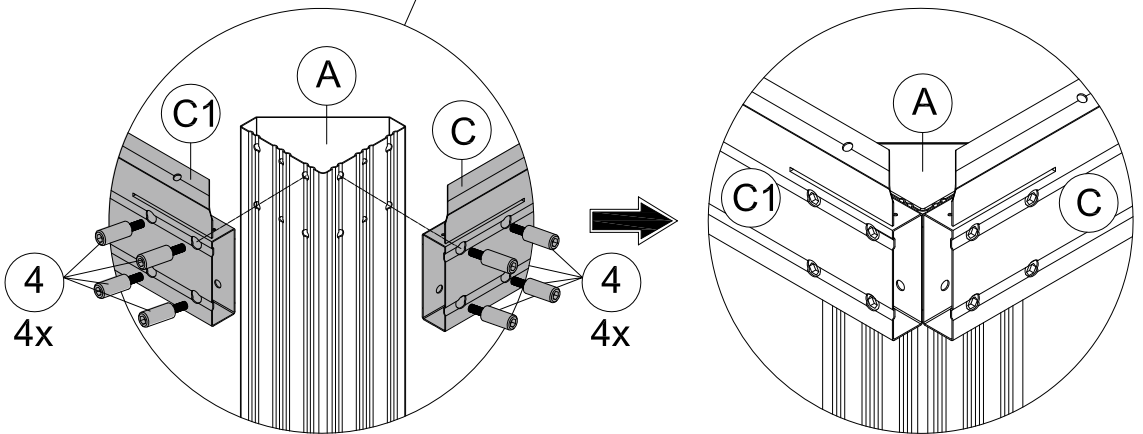
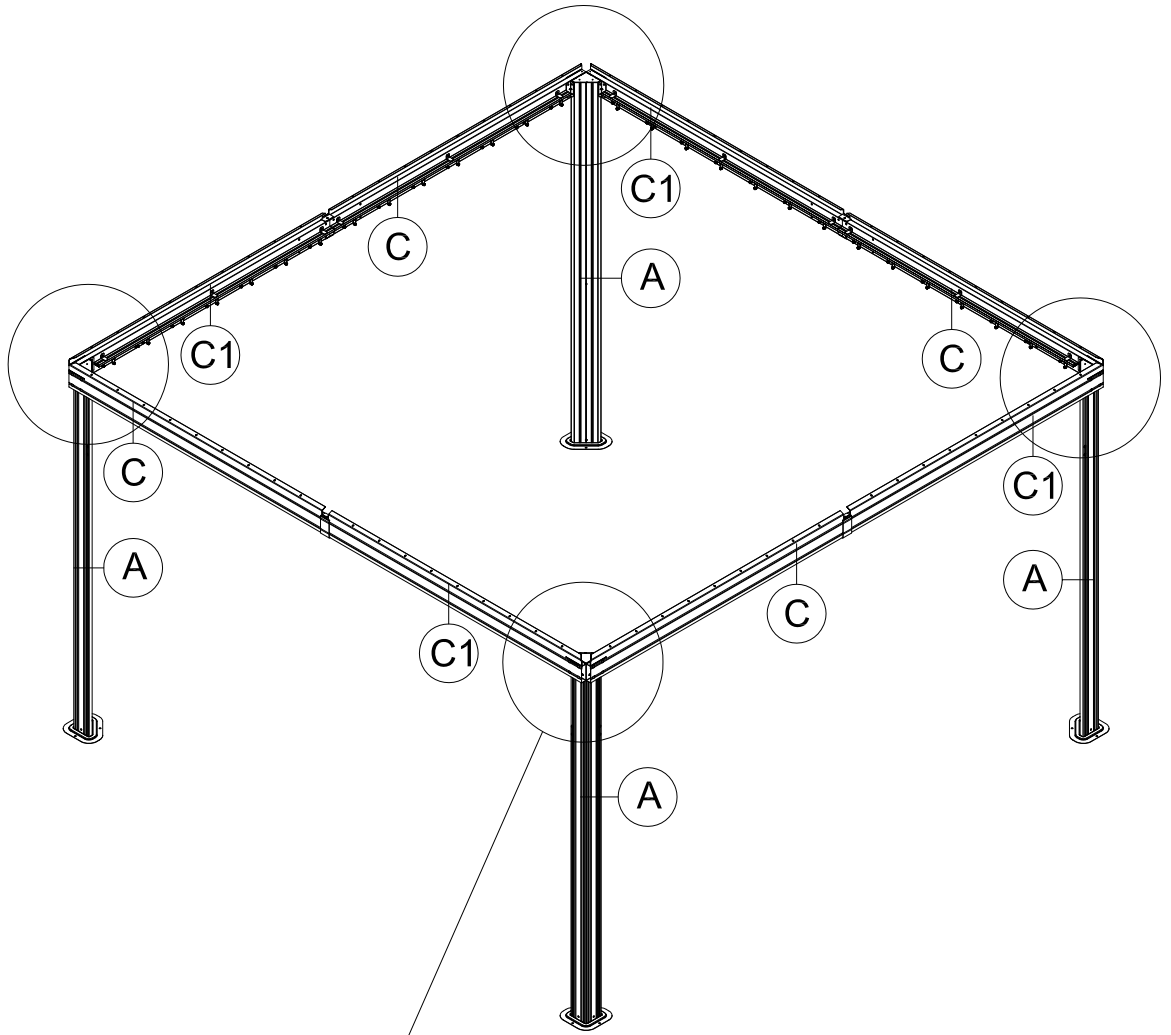
S6

1 1x



M6x35

4 32x



- (1) Connect Part #C/C1 to Part #A with 8 Bolts #4.(From Outside)
- (2) Repeat the above procedures to assemble the other 3 corners.

⚠ Please don't tighten all bolts.

✓ S4

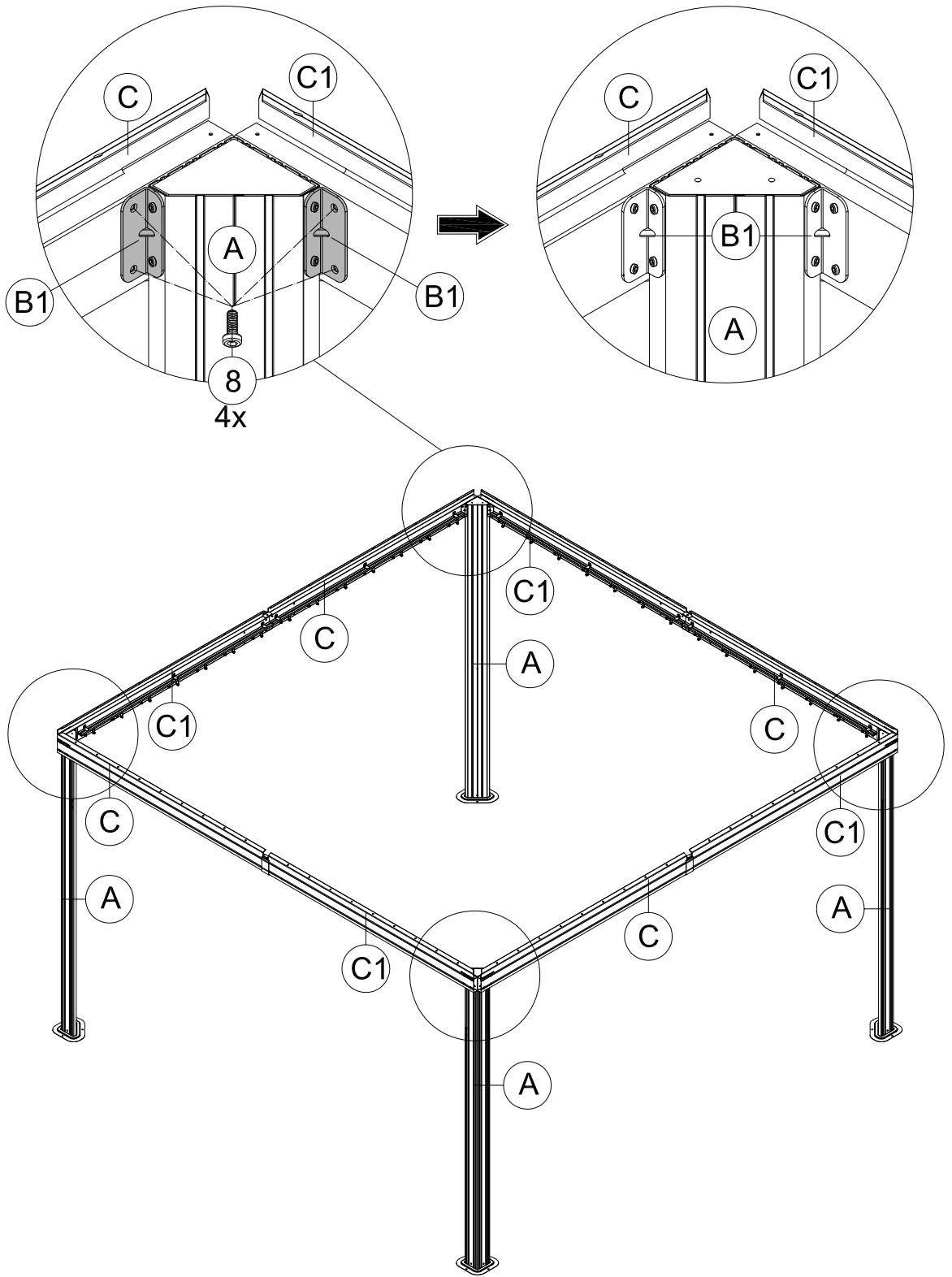
1 1x



M6x16

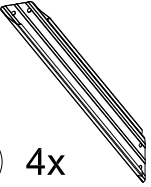
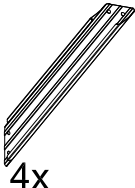

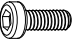
8 16x

(1) Connect Part #C/C1 to Part #A with 4 Bolts #8.(From Inside)

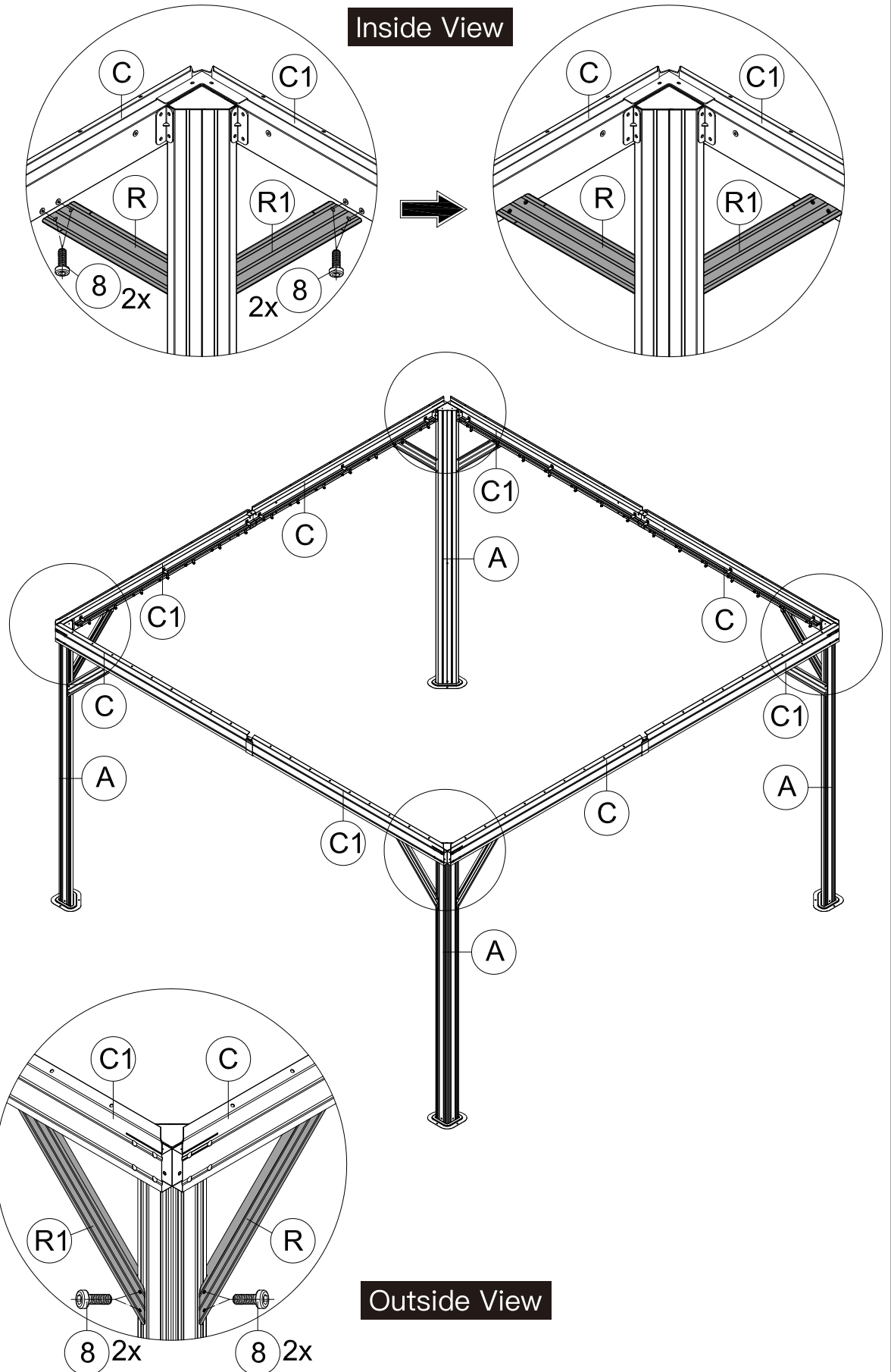


(2) Repeat the above procedures to assemble the other 3 corners.

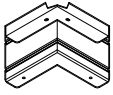
⚠ Please don't tighten all bolts.

-  **R** 4x
-  **R1** 4x
-  **S4**
- 1** 1x
-  **M6x16**
- 8** 32x

(1) Affix Part #R and Part #R1 to the frame with 8 Bolts #8.



(2) Repeat the above procedures for the other 3 corners.
 ⚠ Tighten all the bolts.

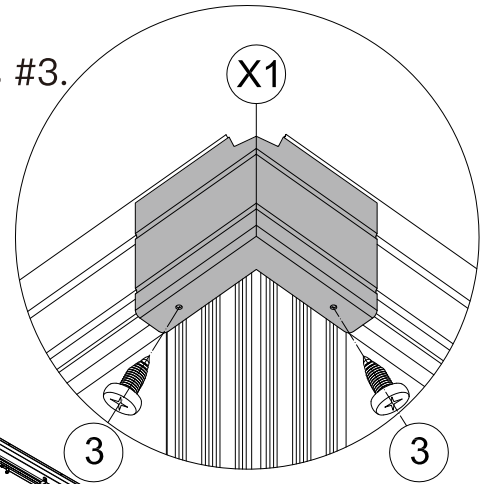
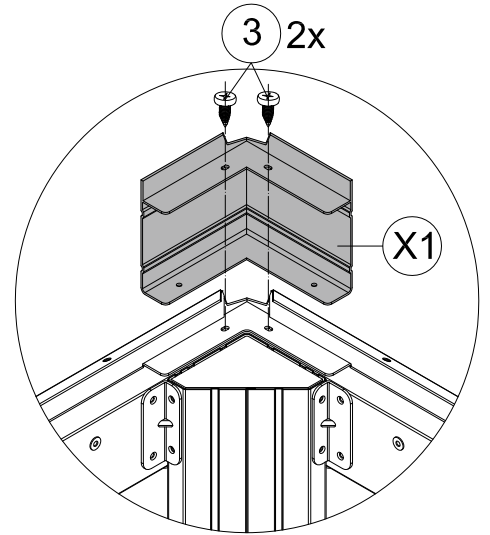
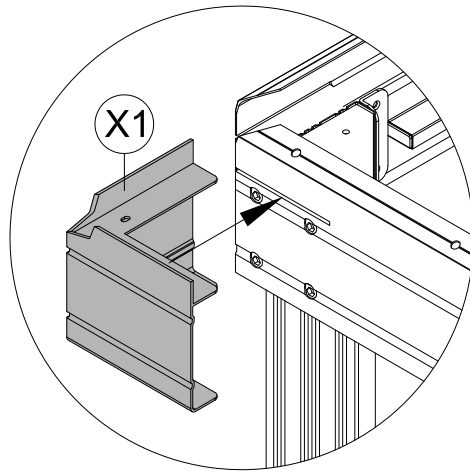


X1 4x

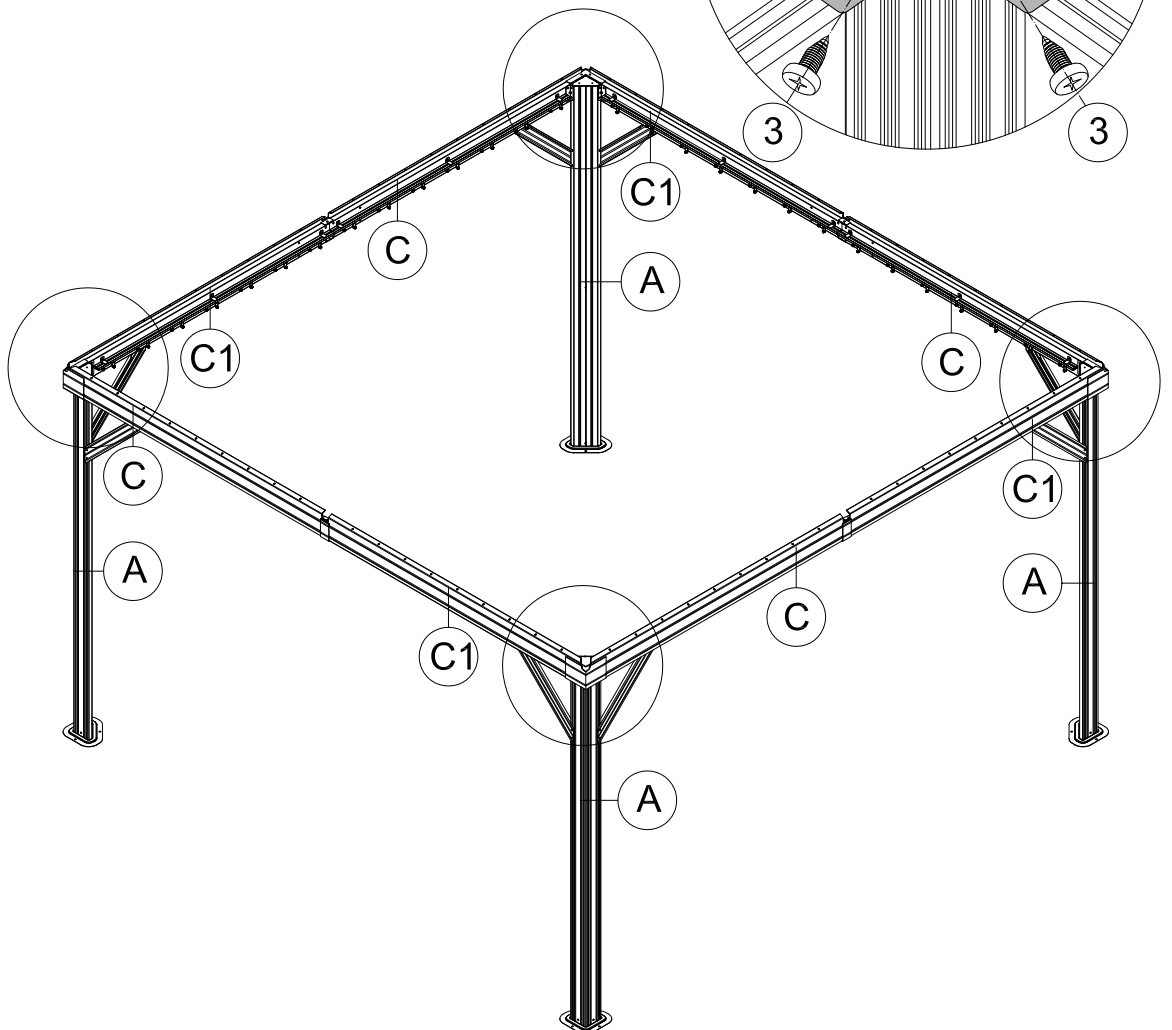


ST5x16

3 16x

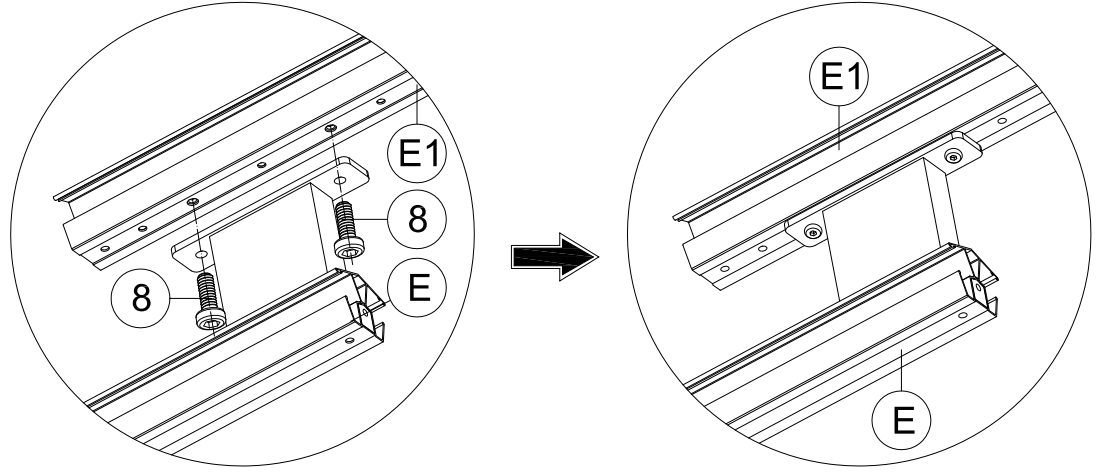
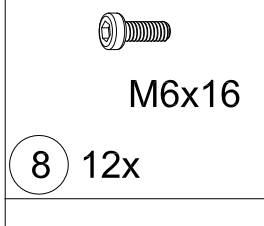
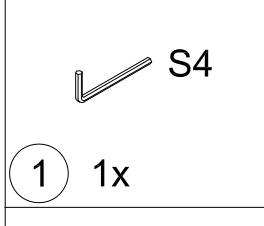
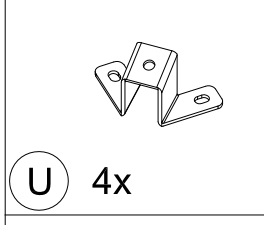
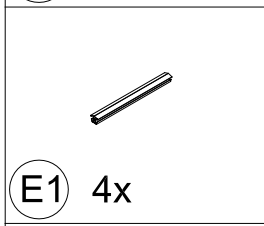
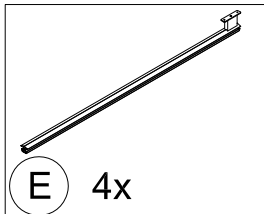


- (1) Cover the corner with Part #X1.
- (2) Secure with 2 Self-tapping Screws #3.
(from top to bottom)
- (3) Secure with 2 Self-tapping Screws #3.
(from bottom to top)

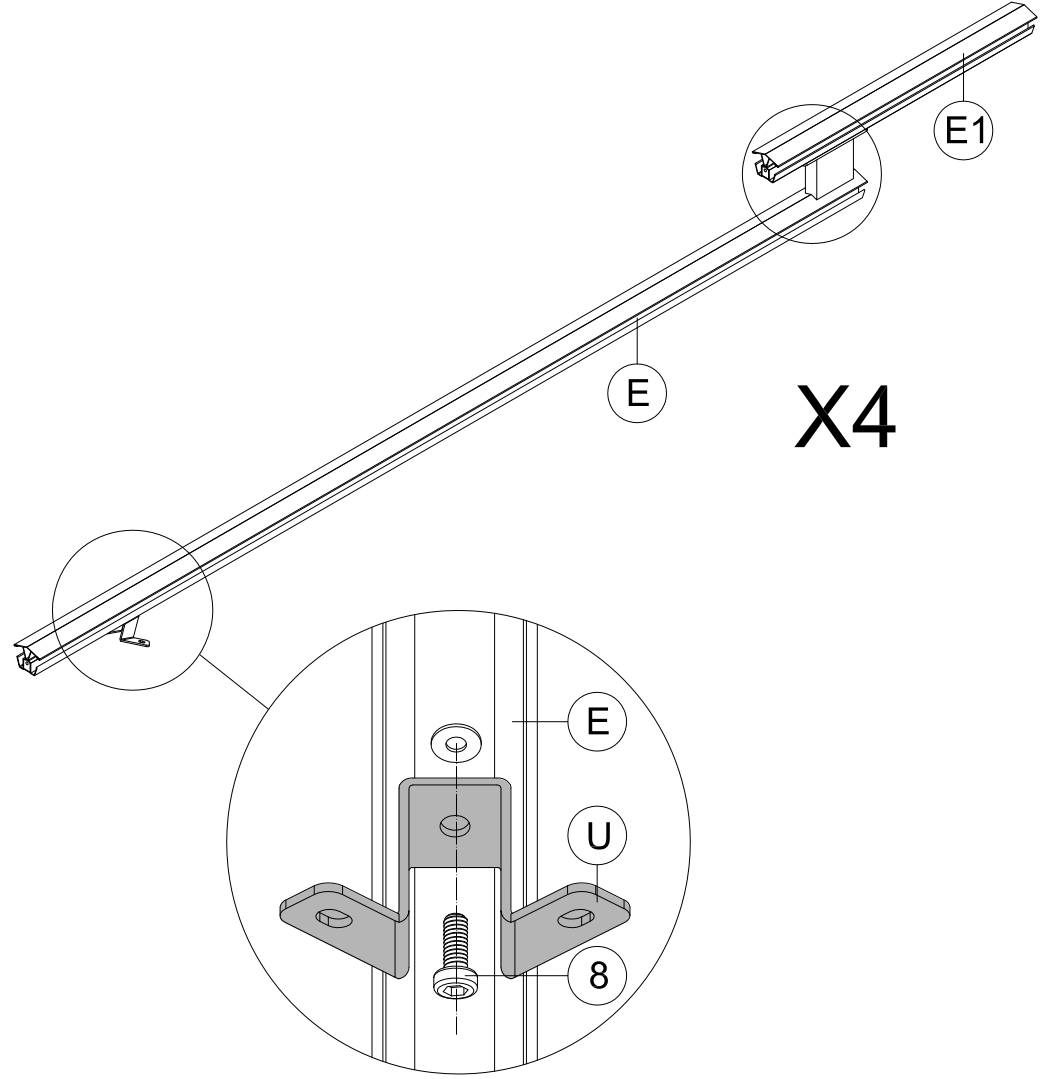


(4) Repeat the above procedures for the other 3 corners.

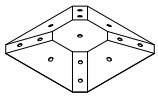
Assemble the 4 Corner Roof Bars:



(1) Connect Part #E1 and Part #E with 2 Bolts #8 .



(2) Attach Part #U to Part #E with Bolt #8 .
 (3) Repeat the above procedures for the other 3 corner roof bars.



S 1x



1 1x



M6x16

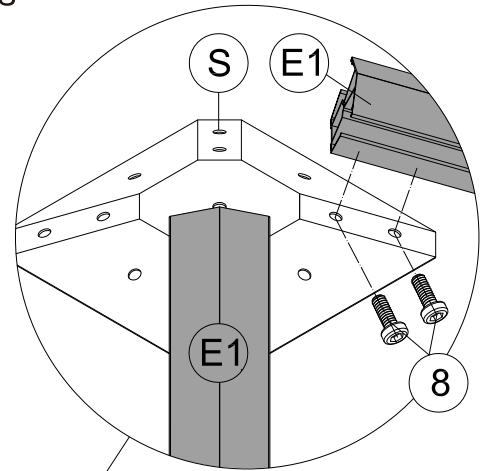
8 16x

Please have a freestanding ladder ready at the center of the gazebo.

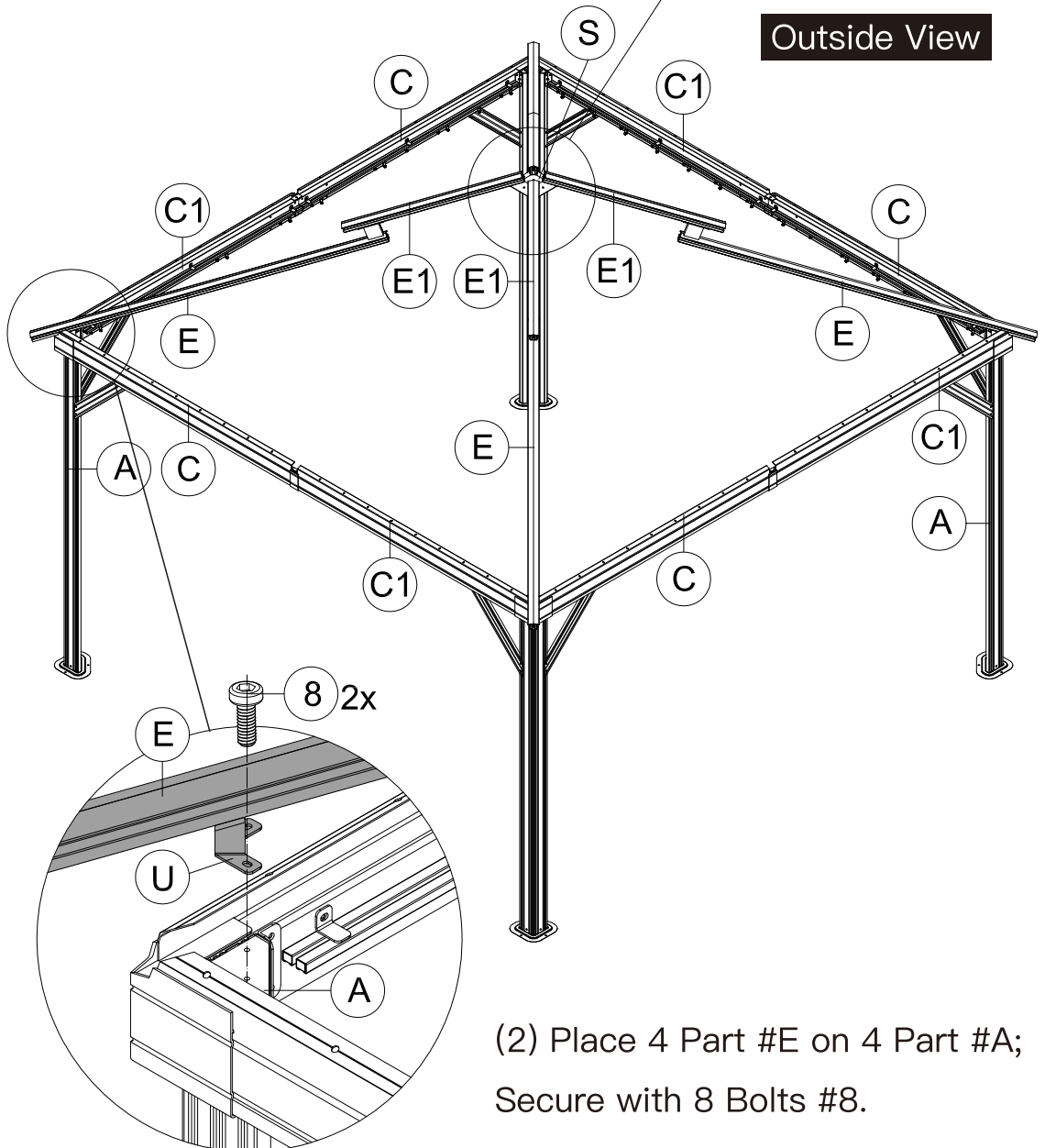
(1) Place 4 Part #E1 on the 4 corners of Part #S.

Secure with 8 Bolts #8 (from bottom to top)

ATTENTION: You can also finish this step on the ground and then lift 4 corner roof bars and inside roof connector to the top together. (Need 2 people and 2 ladders)

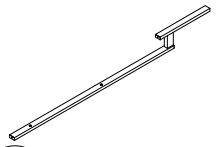
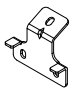
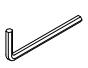
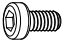


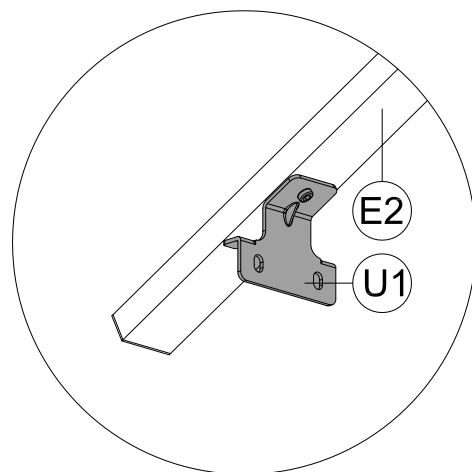
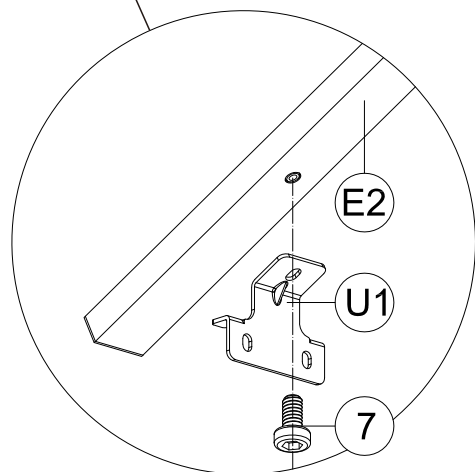
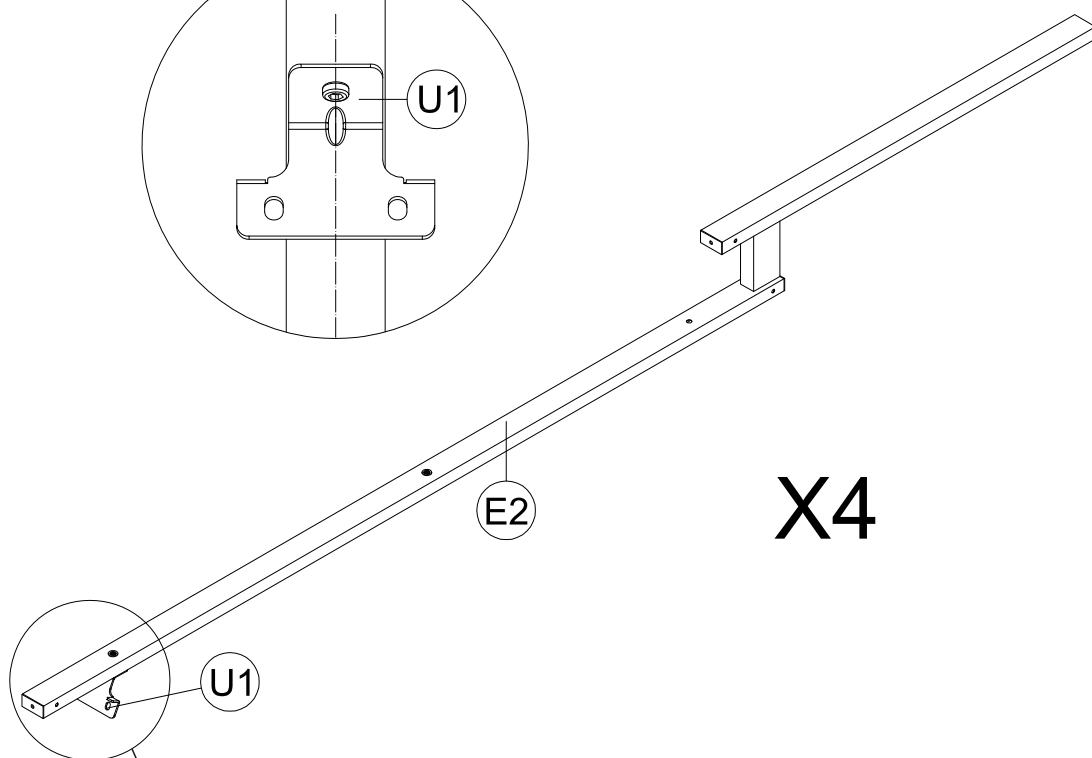
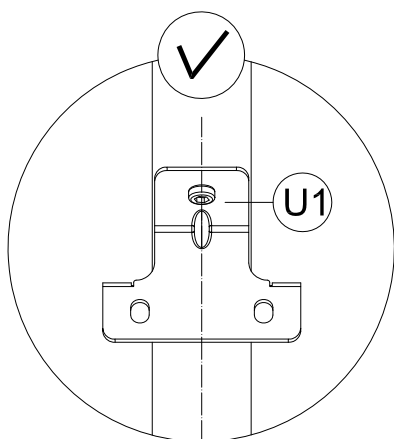
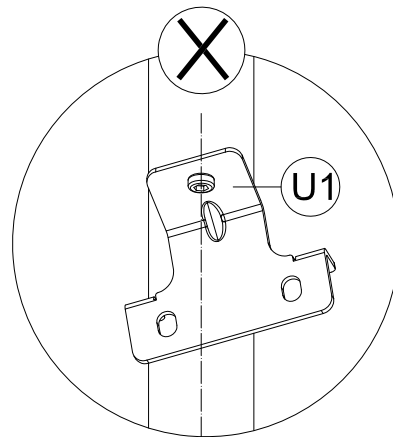
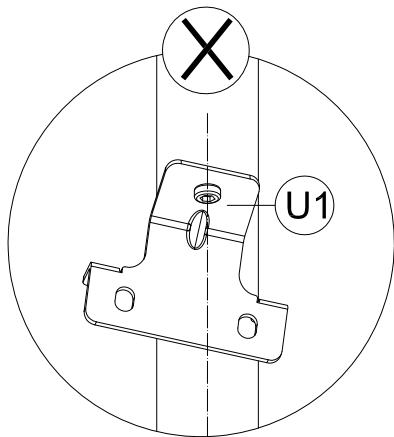
Outside View



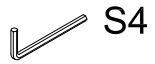
(2) Place 4 Part #E on 4 Part #A;
Secure with 8 Bolts #8.

Outside View

-  **E2** 4x
-  **U1** 4x
-  **S4**
- 1** 1x
-  **M6x10**
- 7** 4x



(1) Attach Part #U1 to Part #E2 with Bolt #7.
 (2) Repeat the above procedures for the other 3 roof bars.



S4

1 1x



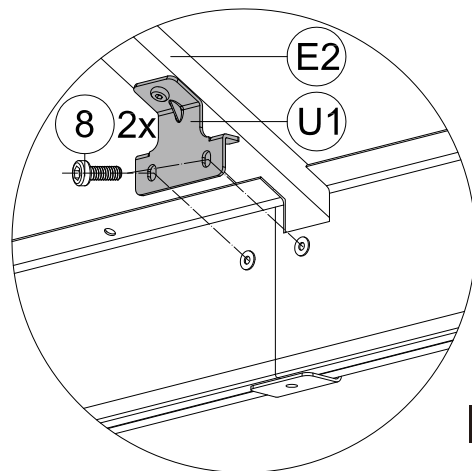
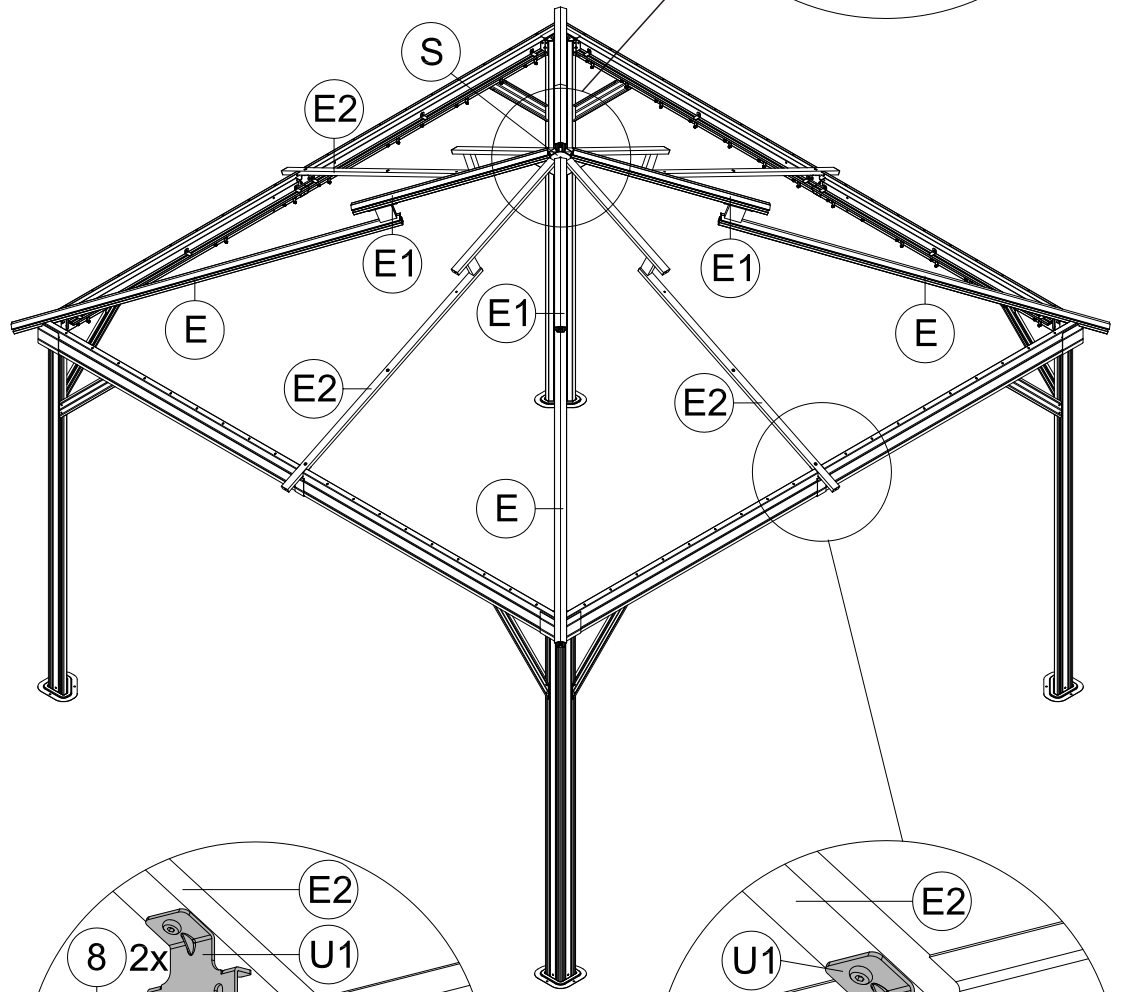
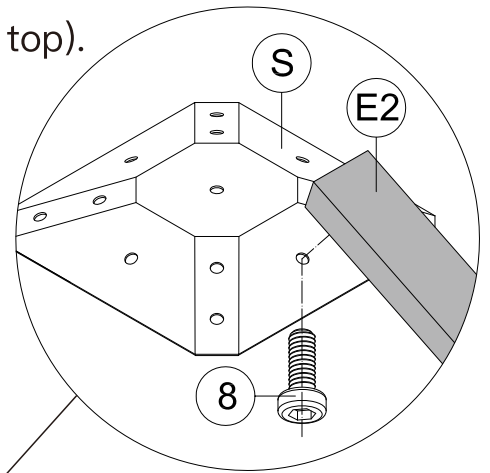
M6x16

8 12x

(1) Place Part #E2 on part #S.

Secure with Bolt #8 (from bottom to top).

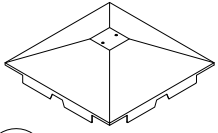
Outside View



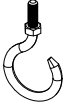
Inside View

(2) Connect Part #E2 and the Assembled Beam(C&C1) with part #U1.
Secure with 2 Bolts #8.

(3) Repeat the above procedures for the other 3 sides.

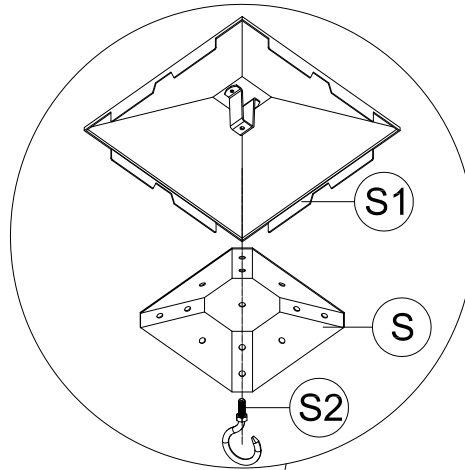


(S1) 1x

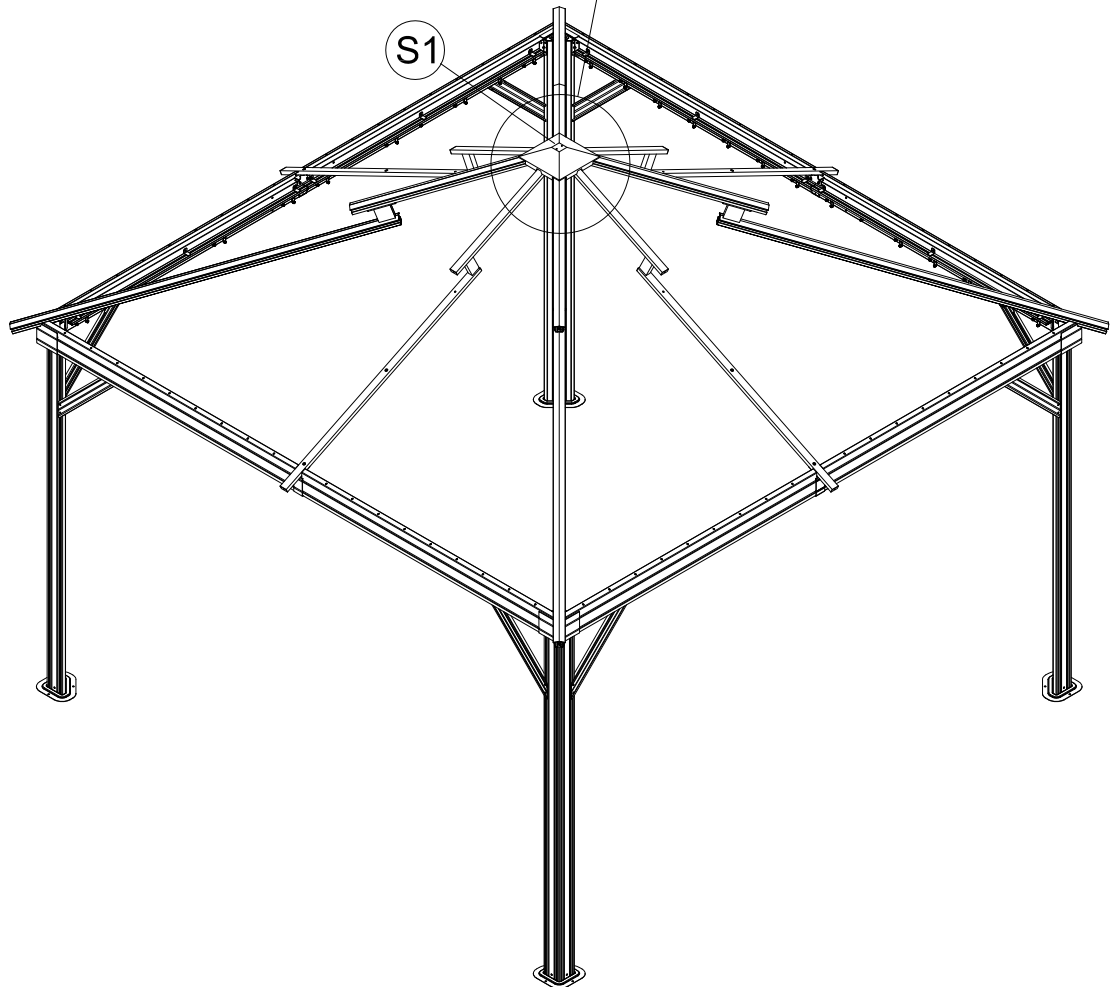


(S2) 1x

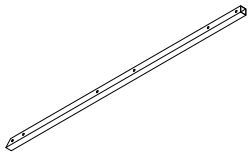
Secure Part #S2 to Part #S and Part #S1.



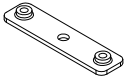
Outside View



ATTENTION: The holes of Part #S and Part #S1 need to be aligned on the same vertical line.



F 8x



U3 4x



1 1x



M6x10

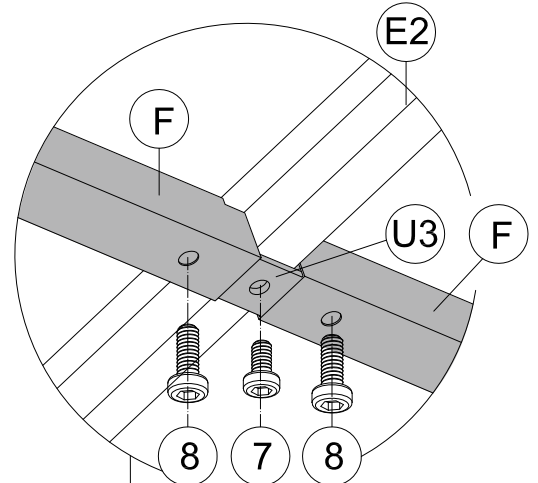
7 4x



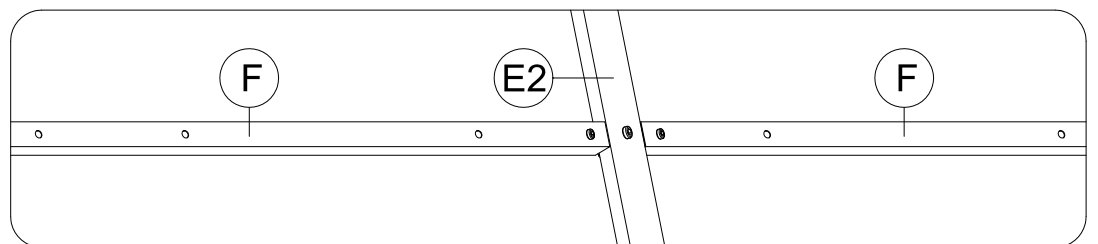
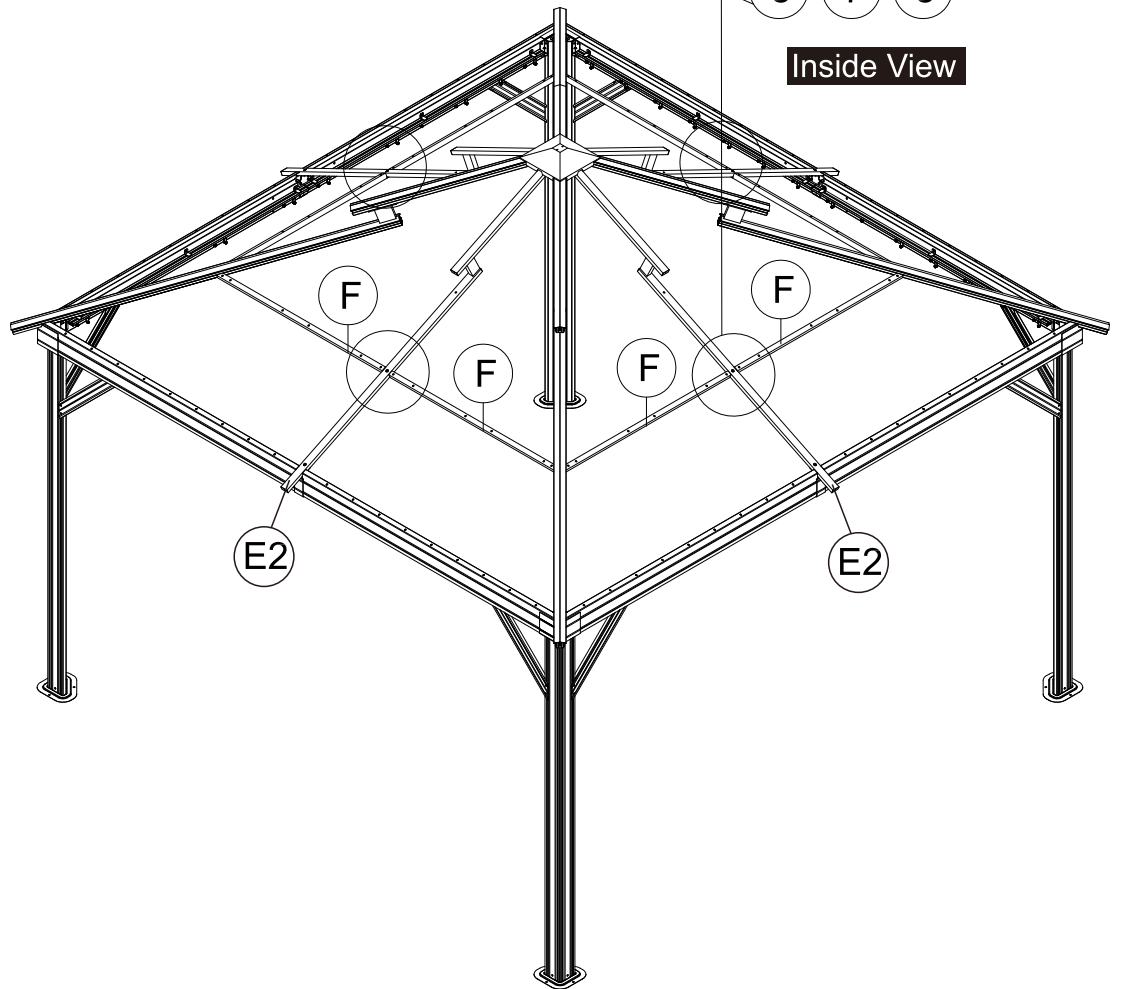
M6x16

8 8x

(1) Insert Part #U3 into 2 Part #F.
(2) Attach Part #F to the Part #E2 with 1 Bolt #7 and 2 Bolts #8.



Inside View

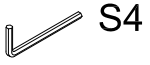


(3) Repeat the above procedures for the other 3 sides.

Outside View



U2 4x

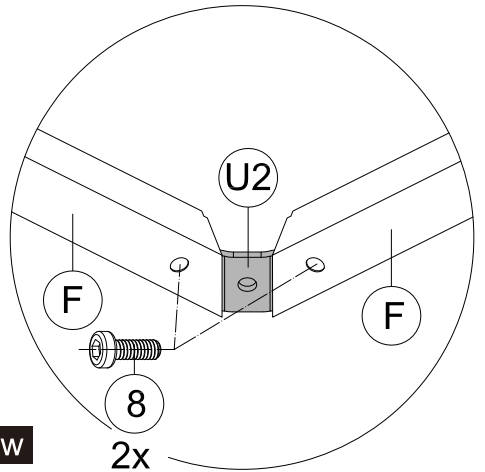
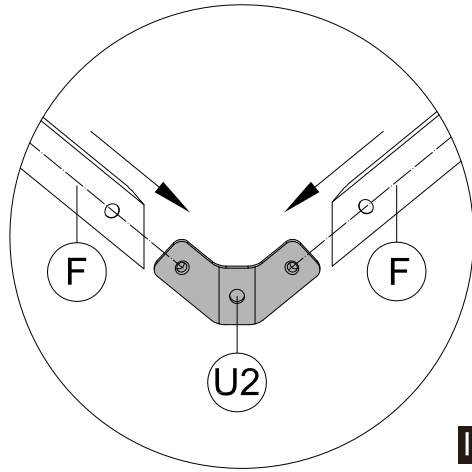


1 1x



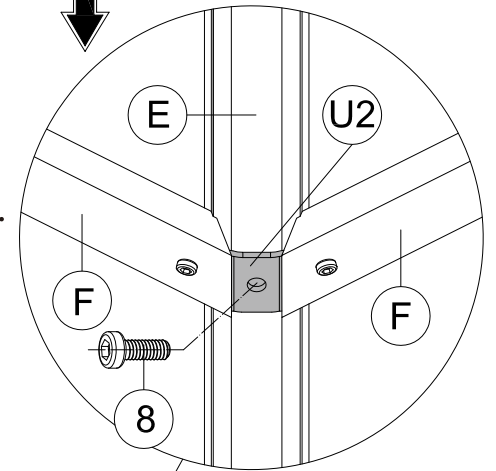
M6x16

8 12x

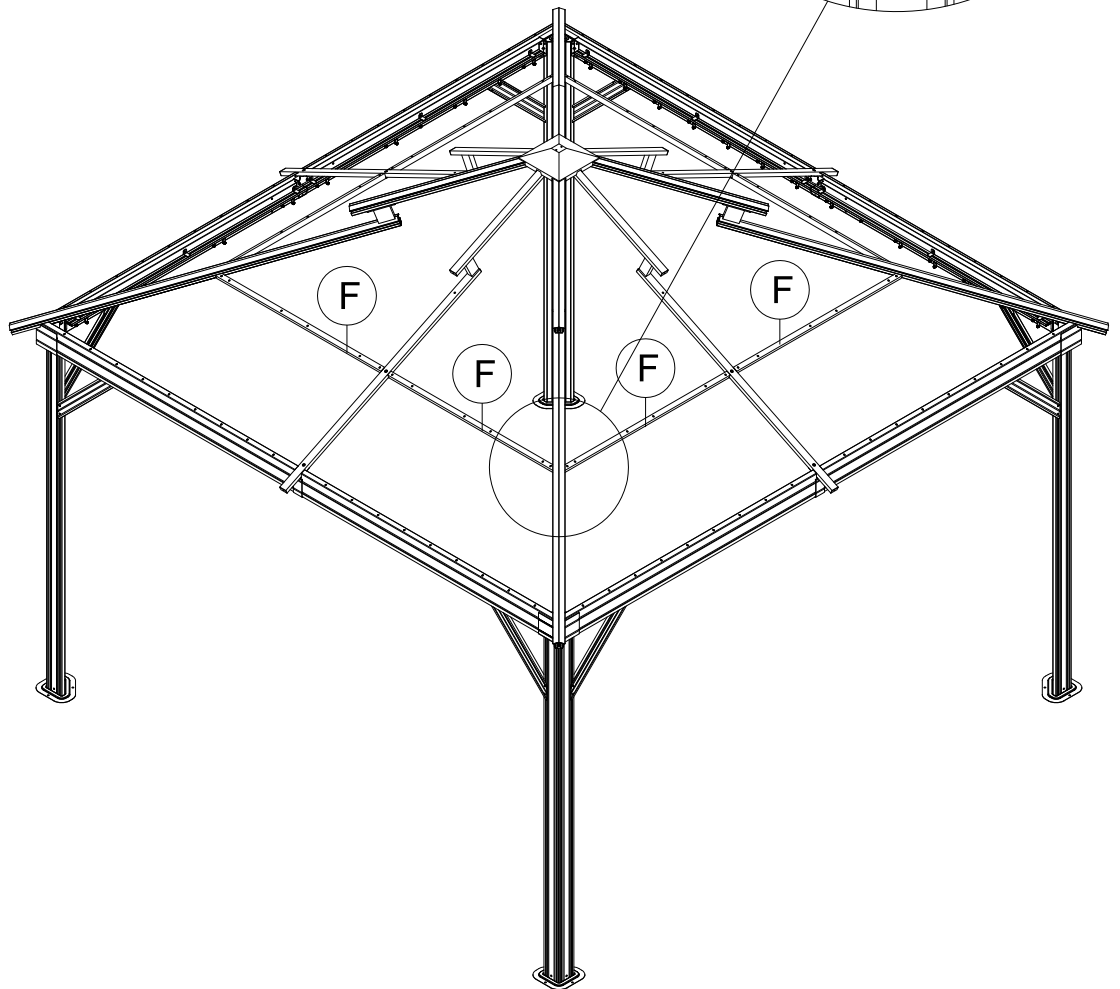


Inside View

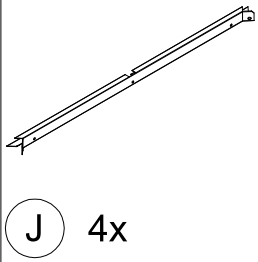
8
2x



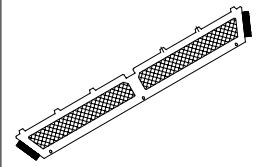
- (1) Insert Part #U2 into 2 Part #F.
- (2) Secure with 2 Bolts #8.
- (3) Secure them to Part #E with Bolt #8.



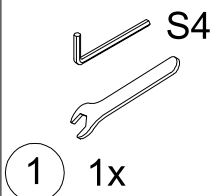
(4) Repeat the above procedures for the other 3 sides.



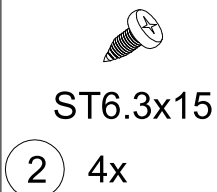
J 4x



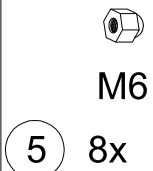
Q 4x



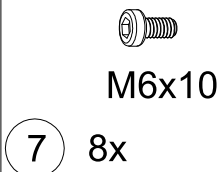
1 1x



2 4x

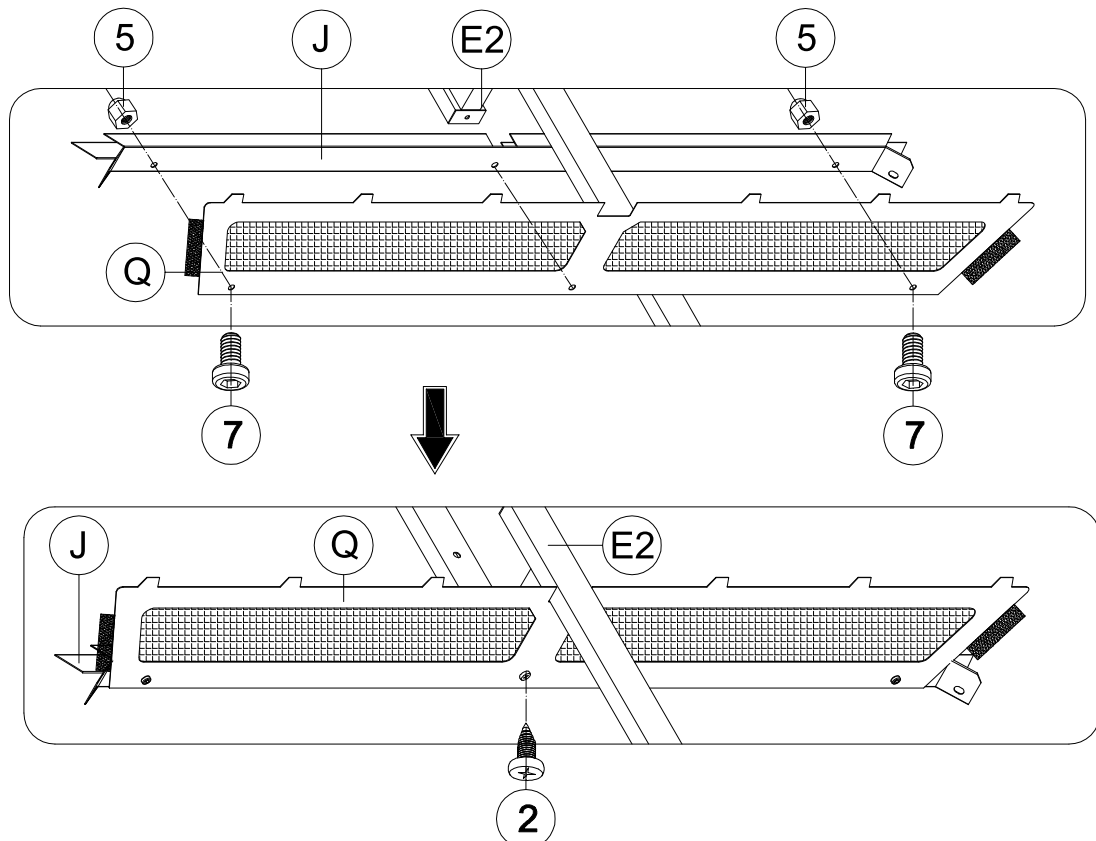


5 8x

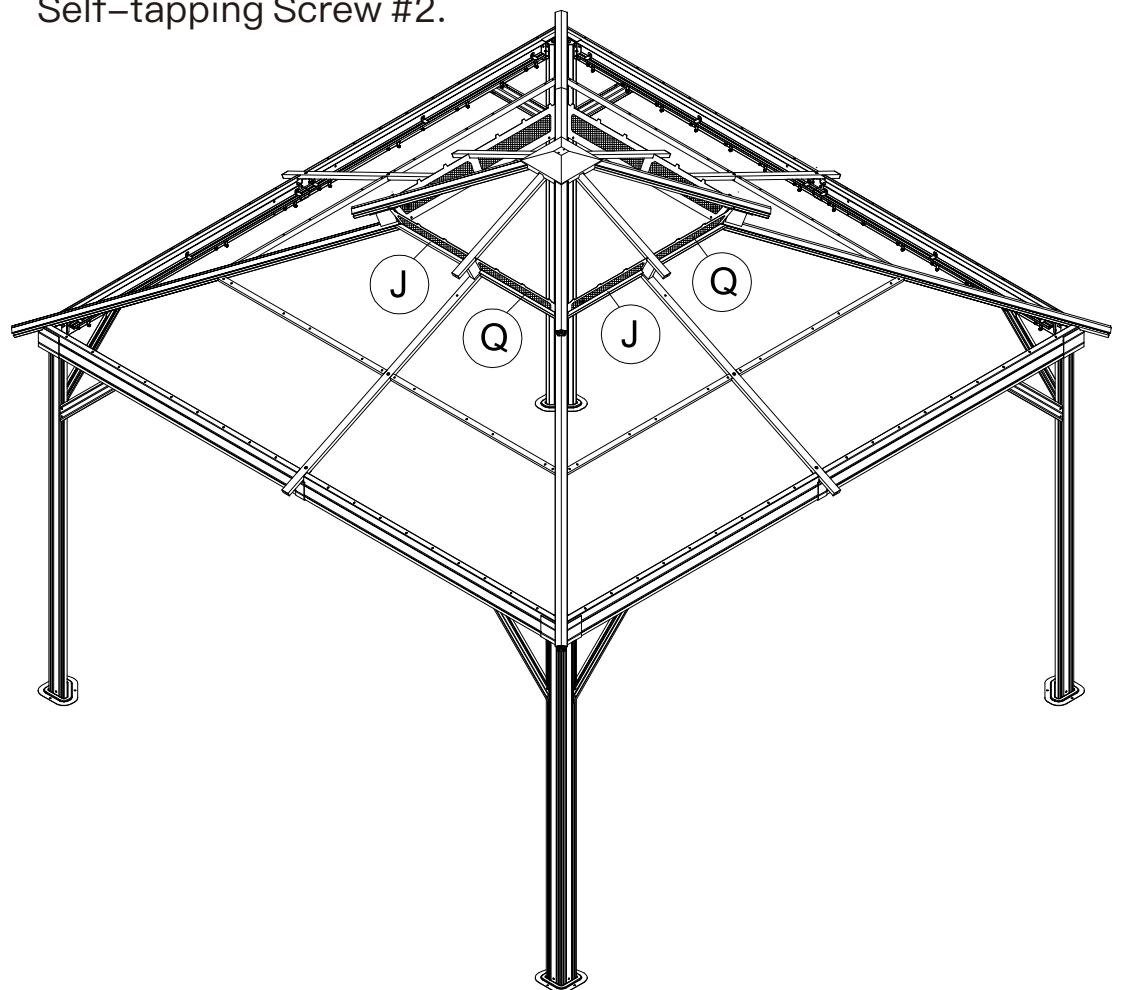


7 8x

(1) Connect Part #J and Part #Q with 2 Bolts #7 and 2 Nuts #5.



(2) Place the Assembled Part #J & #Q on Part #E2,securing with 1 Self-tapping Screw #2.



(3) Repeat the above procedures to assemble the other 3 sides.



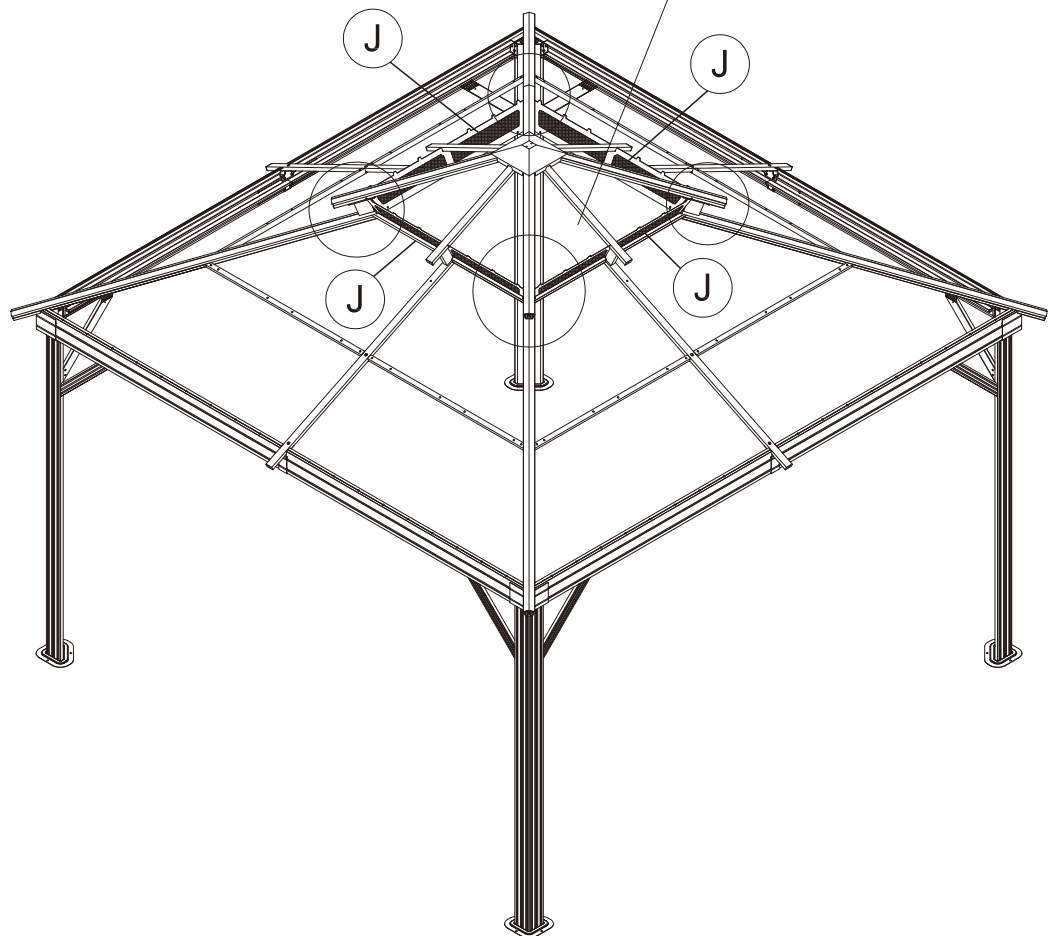
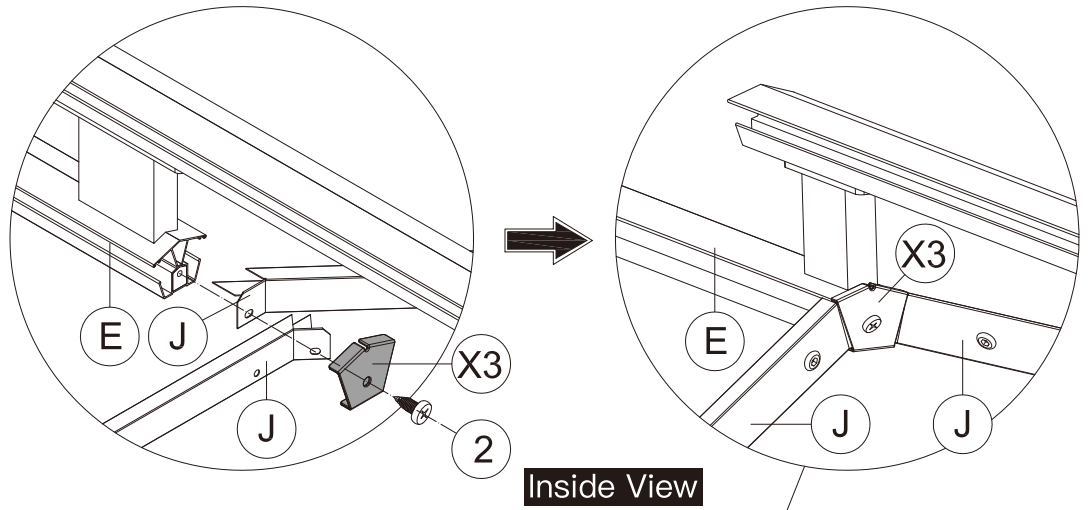
X3 4x



ST6.3x15


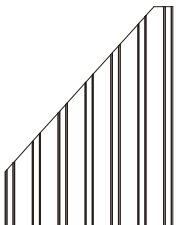
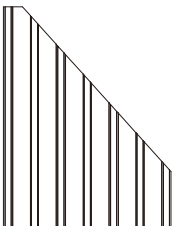
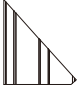



2 4x

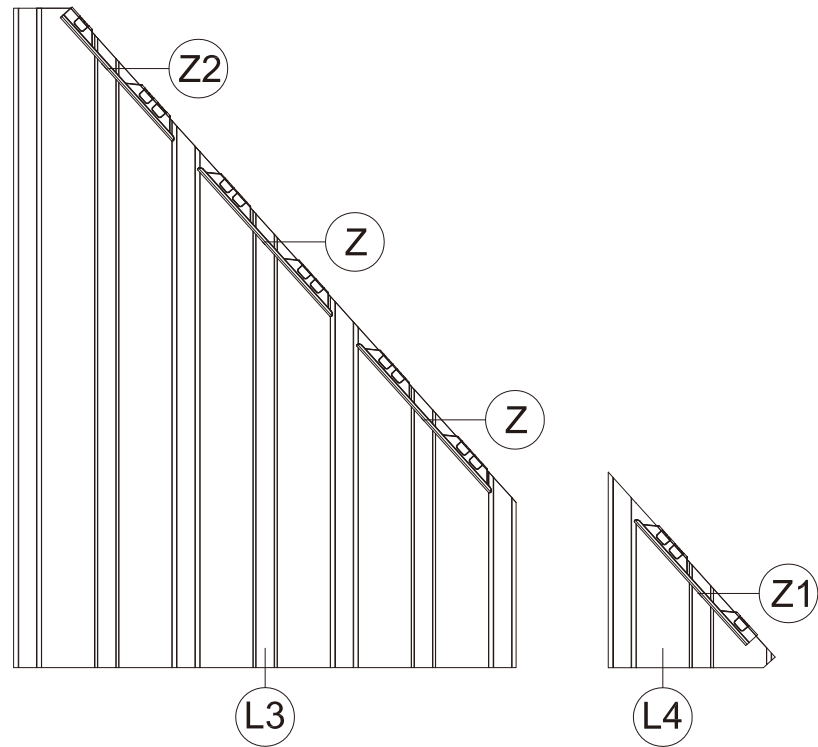
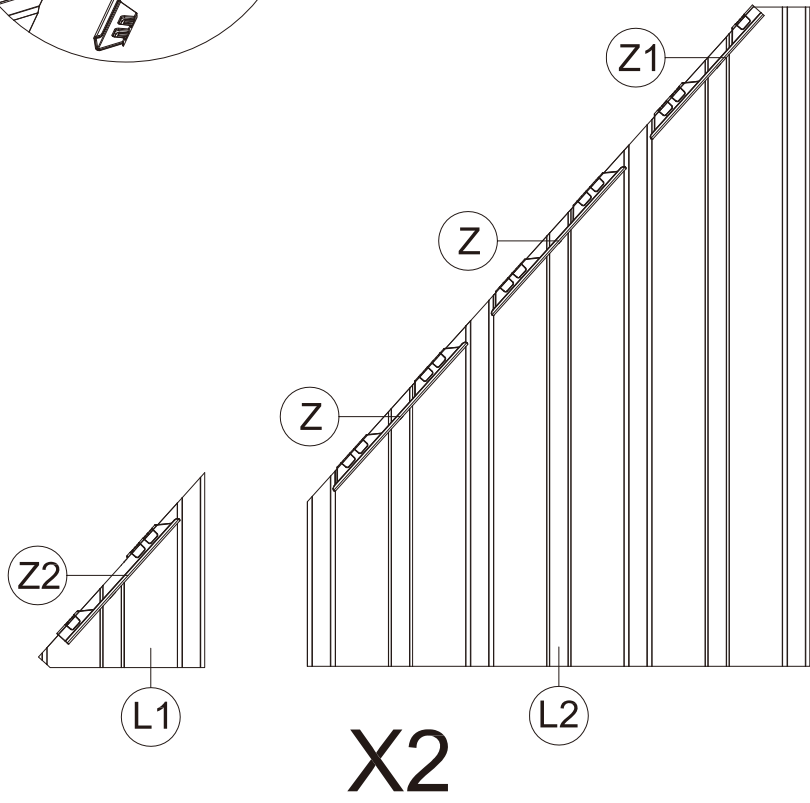
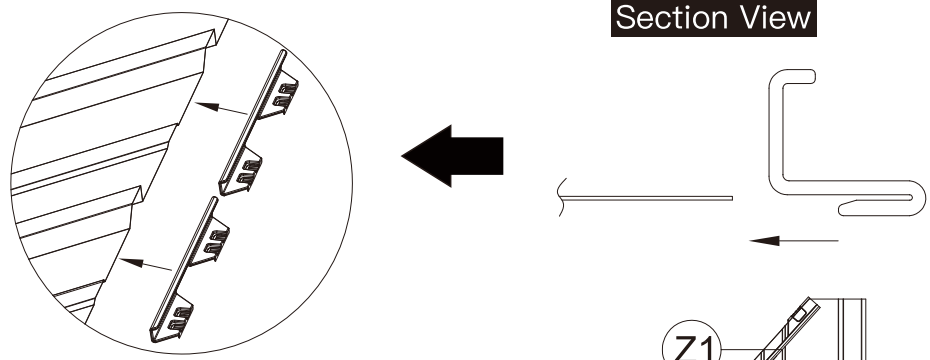
(1) Place 2 Part #J on Part #E, put on Part #X3 and secure with Self-tapping Screw #2.

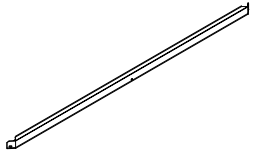


(2) Repeat the above procedures to assemble the other 3 corners.

Cover Part #Z, #Z1 & #Z2 to Roof Panels.

-  **L1** 4x
-  **L2** 4x
-  **L3** 4x
-  **L4** 4x
-  **Z** 16x
-  **Z1** 8x
-  **Z2** 8x





H 4x

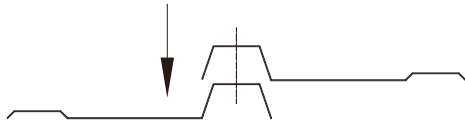
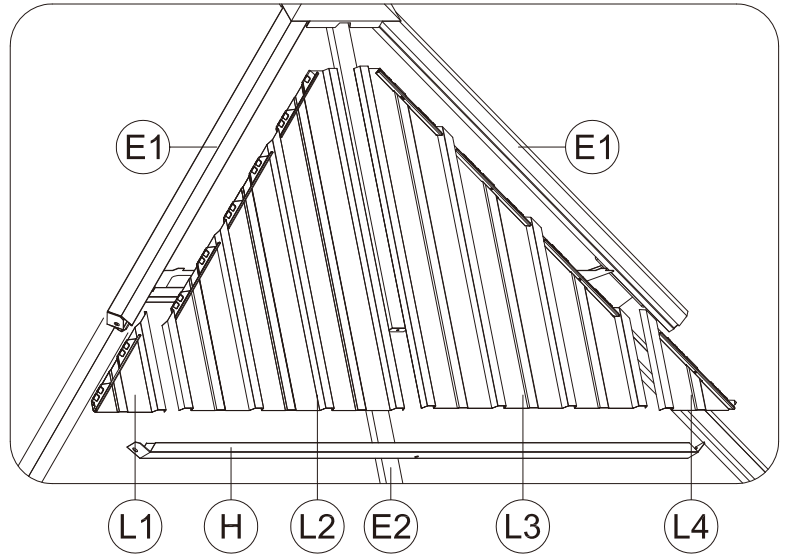
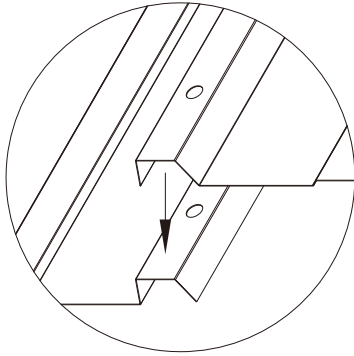


ST6.3x15

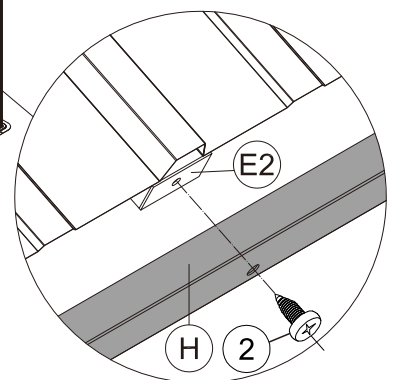
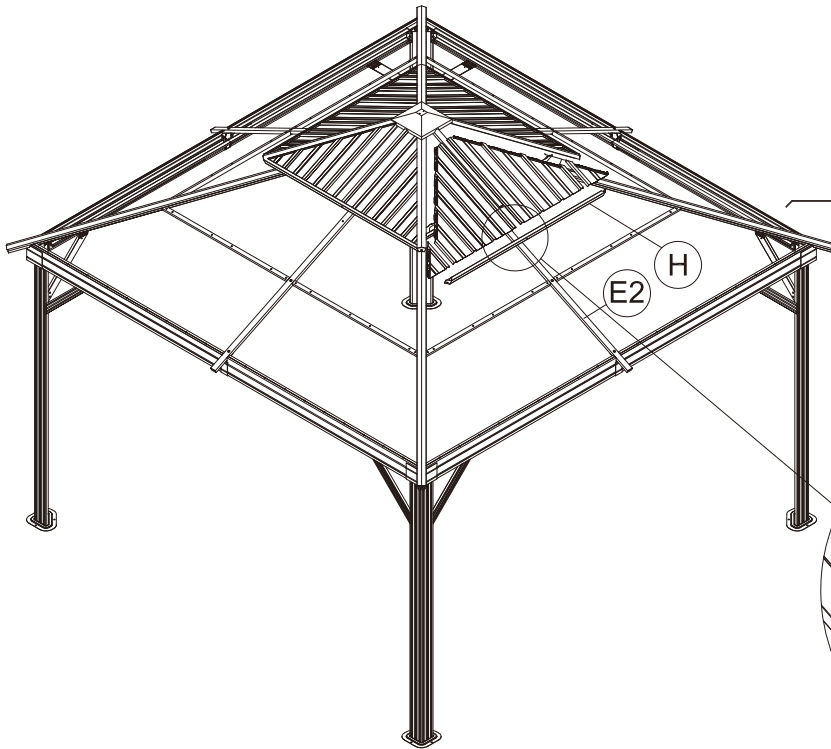
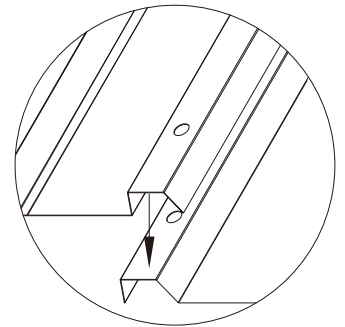
2 4x

ATTENTION: The bigger roof panel need to cover the smaller one.

(1) Insert Part #L1 and Part #L2 into the frame.



(2) Insert Part #L3 and Part #L4 into the frame.



(3) Attach Part #H to Part #E2, securing with Self-tapping Screw #2.

(4) Repeat the above procedures to assemble the other 3 sides.



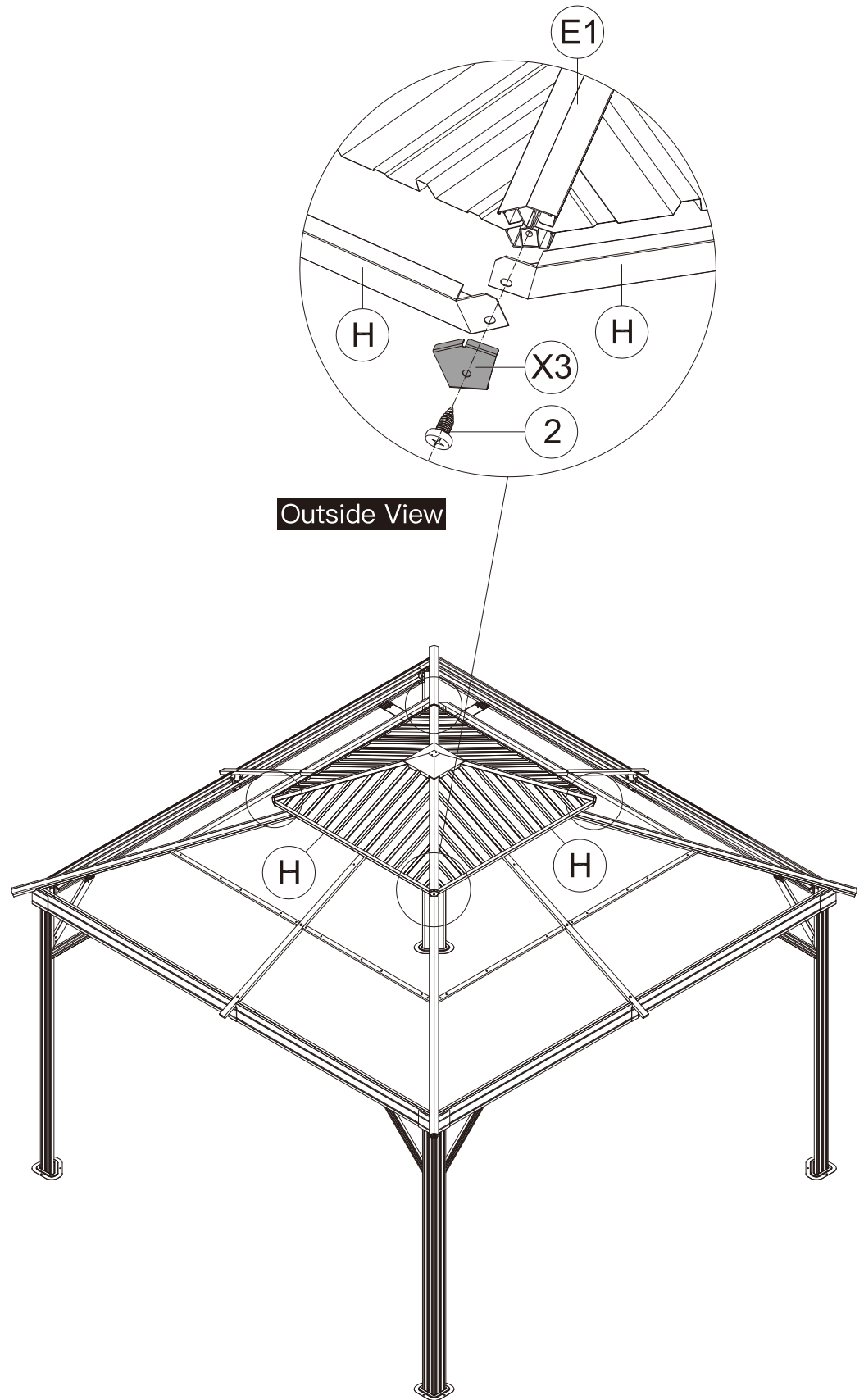
X3 4x



ST6.3x15


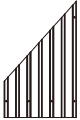

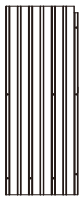
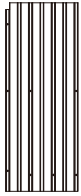
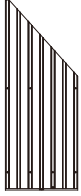



2 4x

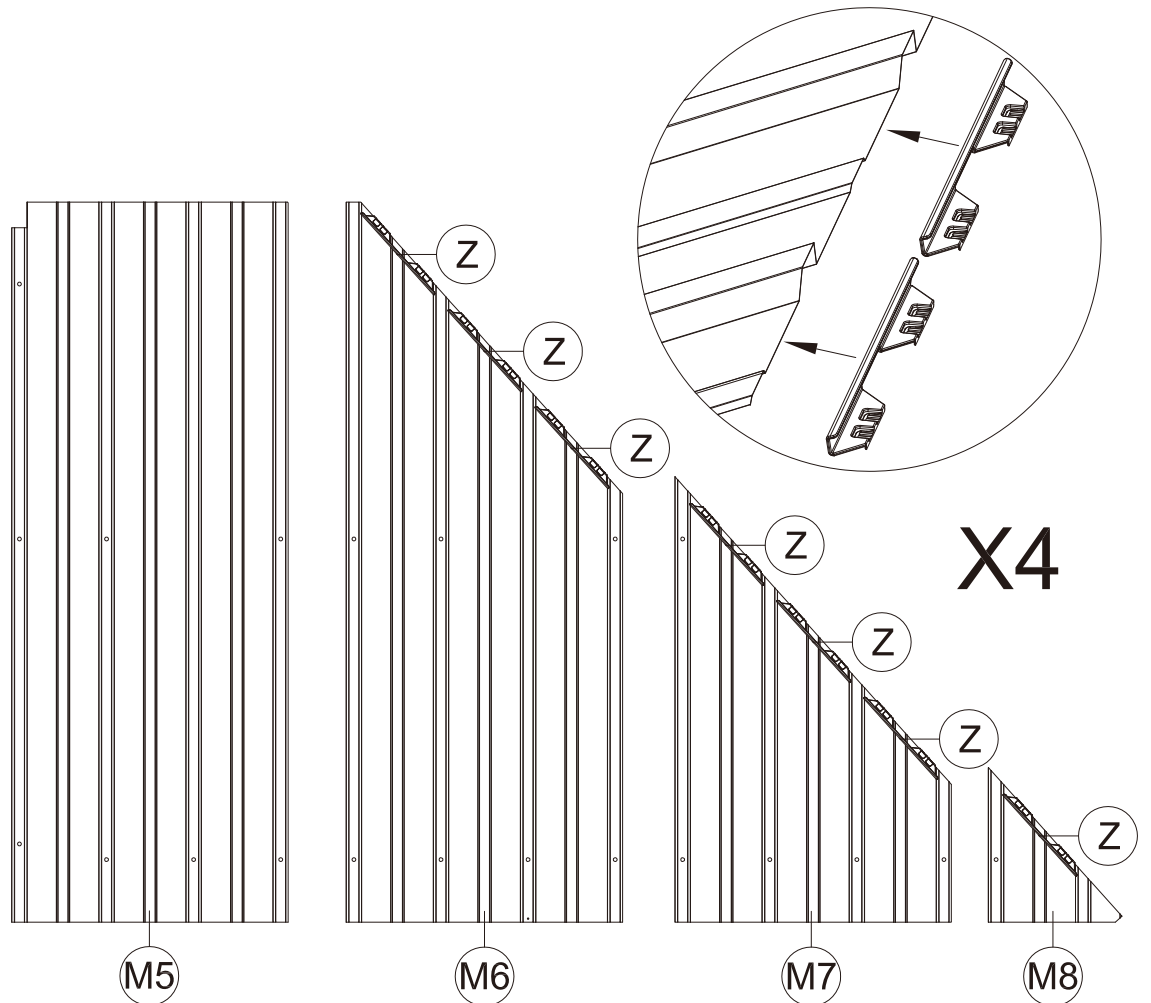
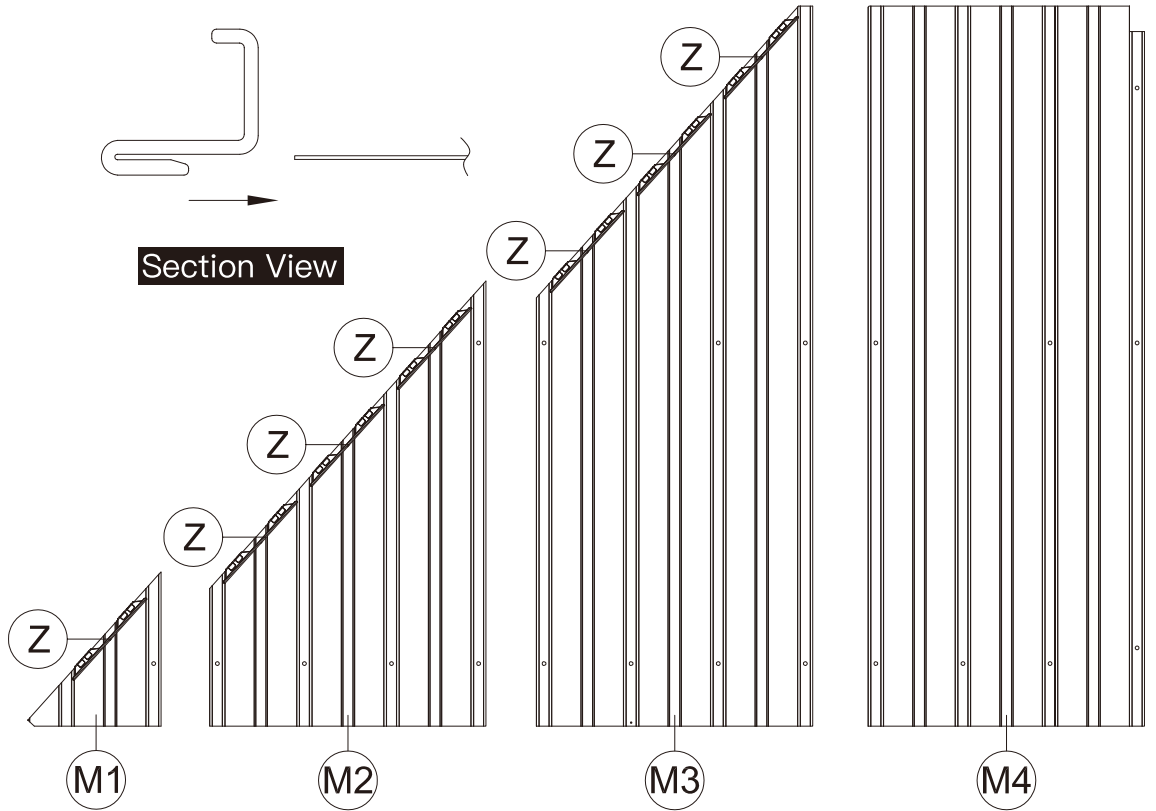
(1) Place 2 Part #H on Part #E1, put on Part #X3 and secure with Self-tapping Screw #2.

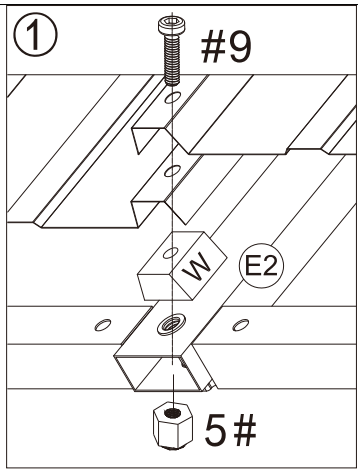


(2) Repeat the above procedures to assemble the other 3 corners.

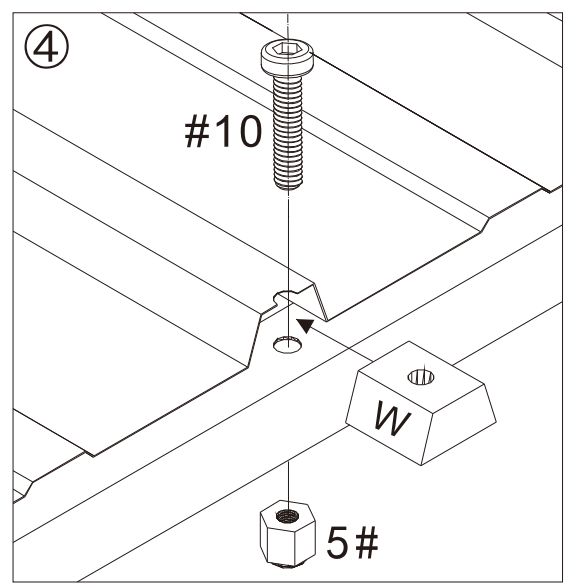
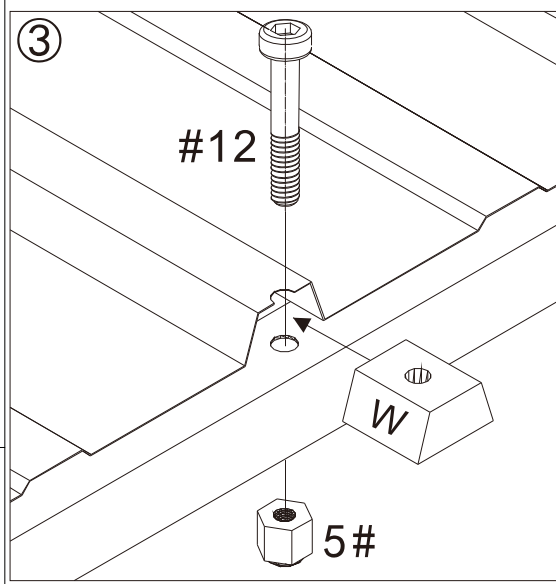
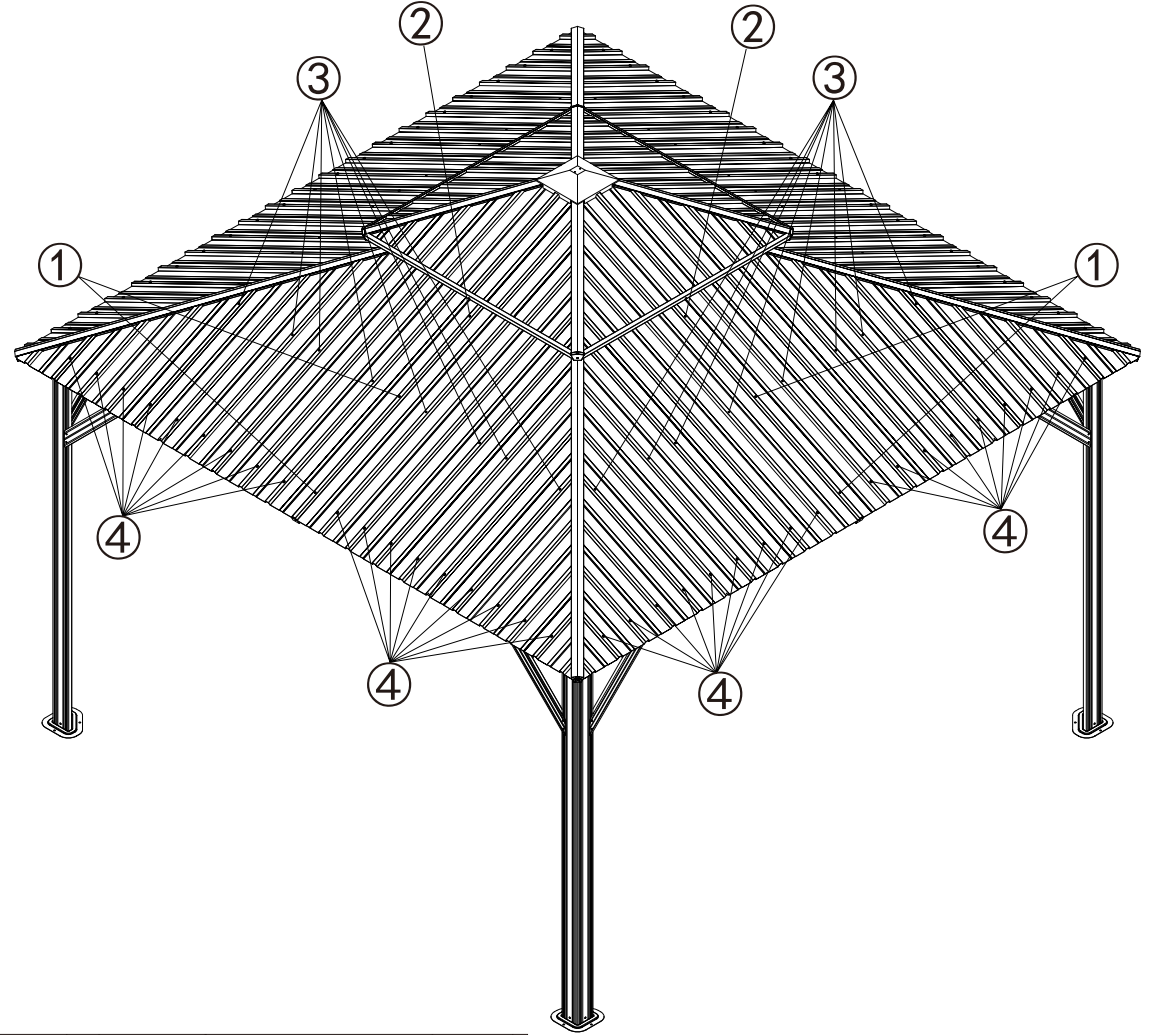
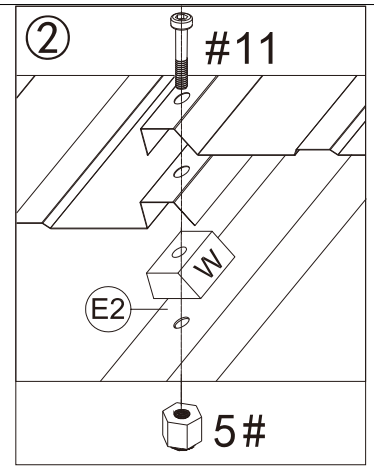
Cover Part #Z to Roof Panels

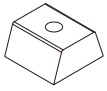
-  M1 4x
-  M2 4x
-  M3 4x
-  M4 4x
-  M5 4x
-  M6 4x
-  M7 4x
-  M8 4x
-  Z 56x



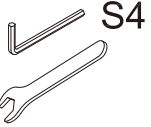


▲ Part #W should be inserted between roof panels and solidifying bar or beams, then secure with bolts and nuts.





W 12x



1 1x



M6

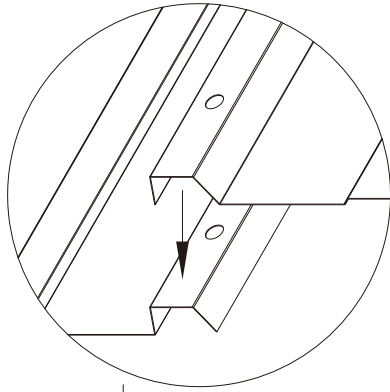
5 12x



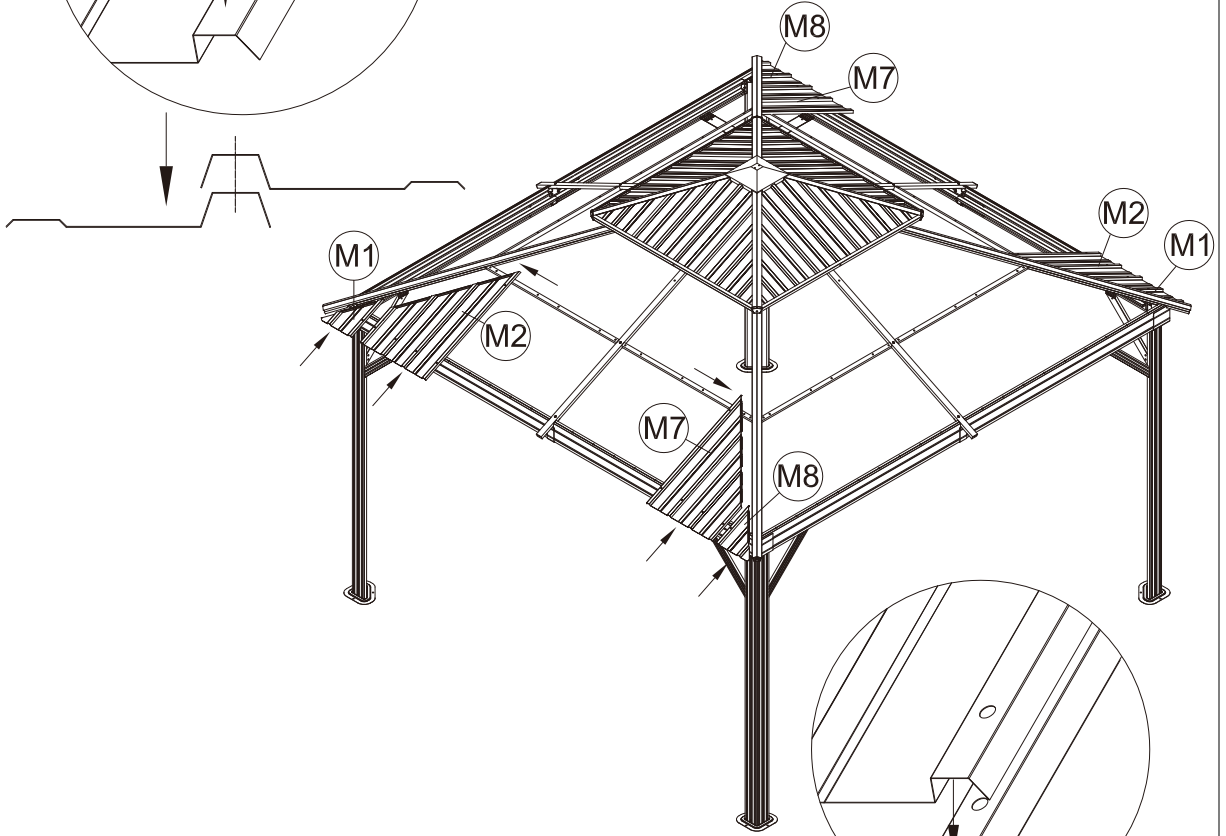
M6x28

10 12x

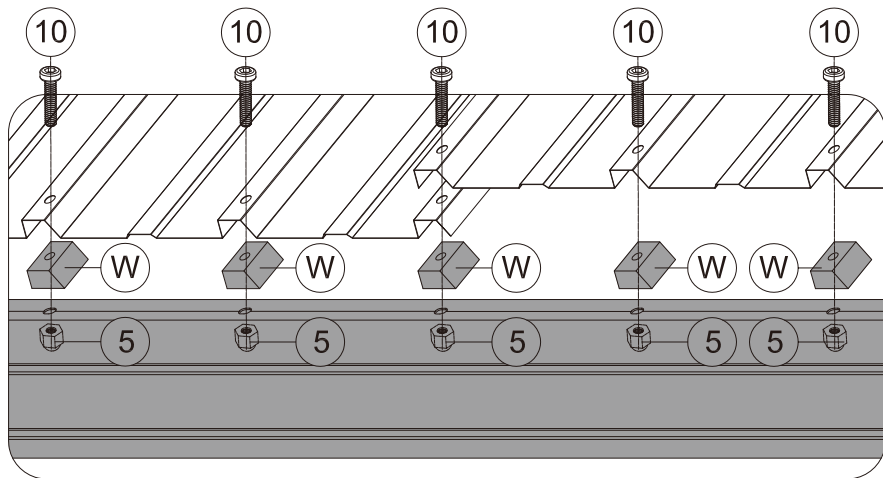
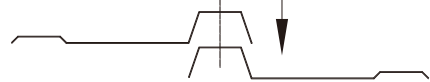
ATTENTION: The bigger roof panel need to cover the smaller one.



(1) Insert Part #M1 and Part #M2 into the frame.



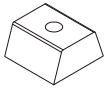
(2) Insert Part #M8 and Part #M7 into the frame.



Beam

(3) Place 6 Part #W between roof panels and beams. Then secure with 6 Bolts #10 and 6 Nuts #5.

(4) Repeat the above procedures to assemble the opposite side.



(W) 20x



(1) 1x



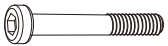
M6

(5) 20x



M6x28

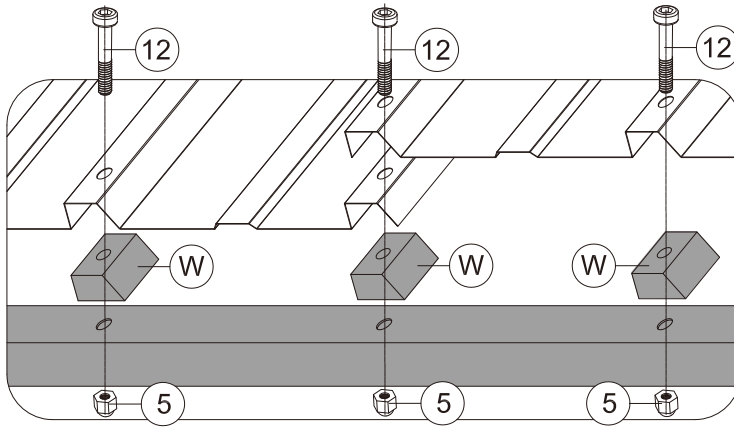
(10) 12x



M6x50

(12) 8x

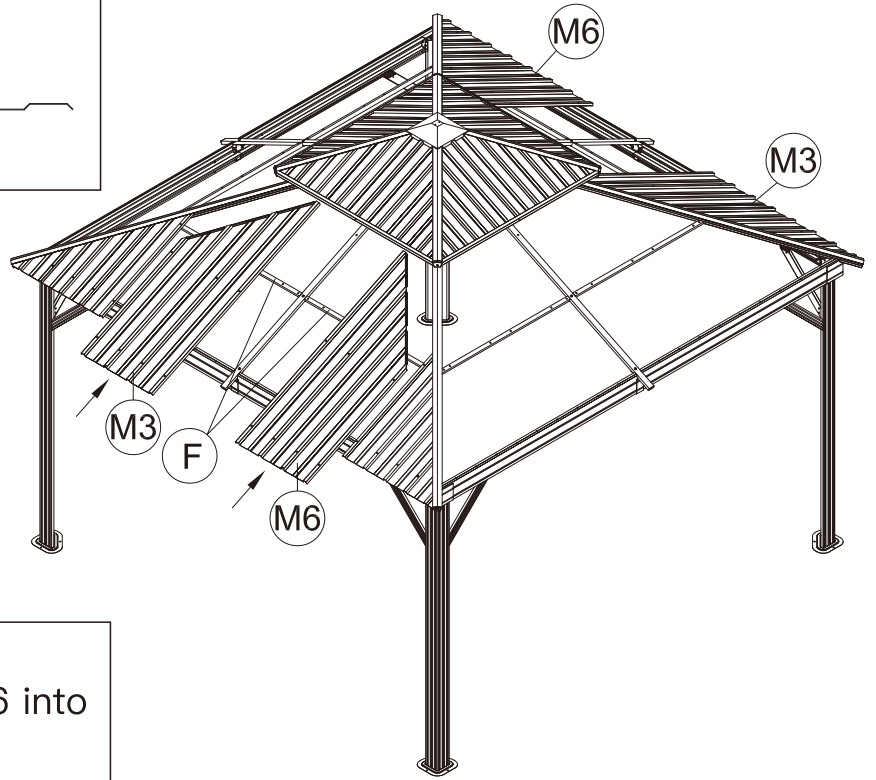
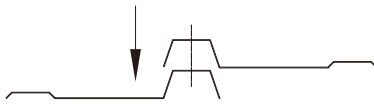
ATTENTION: The bigger roof panel need to cover the smaller one.



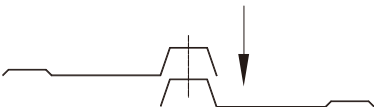
(3) Place 4 Part #W between roof panels and solidifying bars. Then secure with 4 Bolts #12 and 4 Nuts #5.

Solidifying Bar

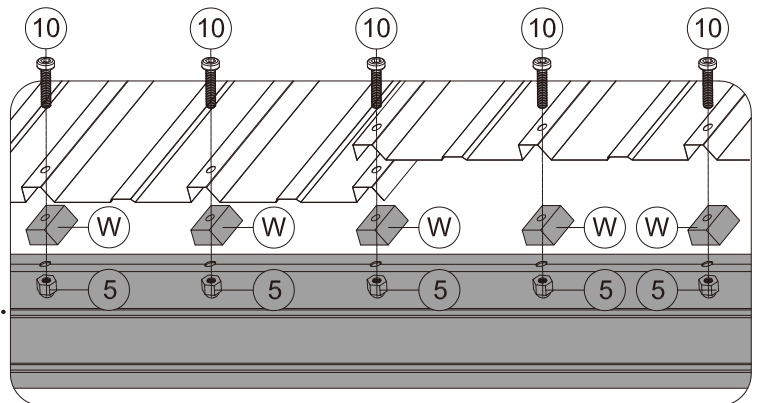
(1) Insert Part #M3 into the frame.



(2) Insert Part #M6 into the frame.

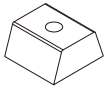


(4) Place 6 Part #W between roof panels and beams. Then secure with 6 Bolts #10 and 6 Nuts #5.



Beam

(5) Repeat the above procedures to assemble the opposite side.



W 24x



1 1x



M6

5 20x



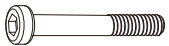
M6x25

9 4x



M6x28

10 12x

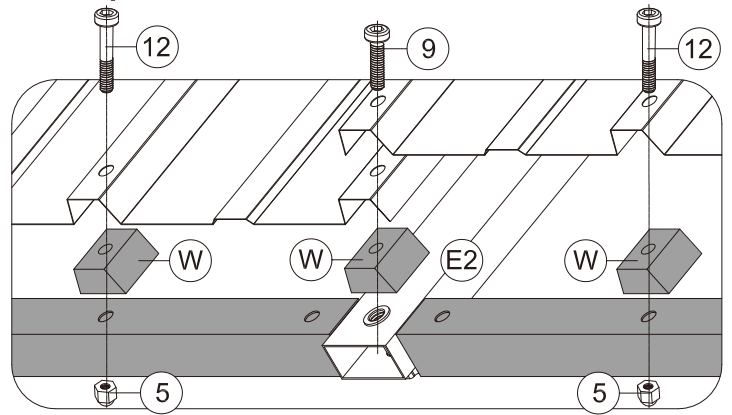
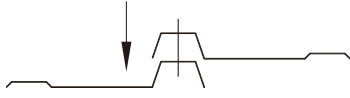


M6x50

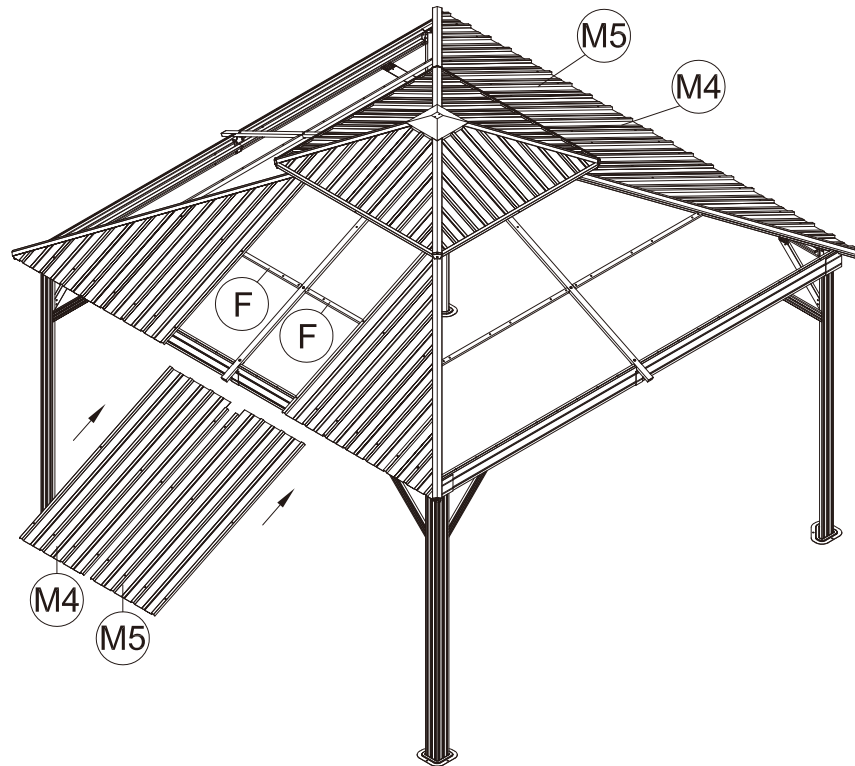
12 8x

ATTENTION: The bigger roof panel need to cover the smaller one.

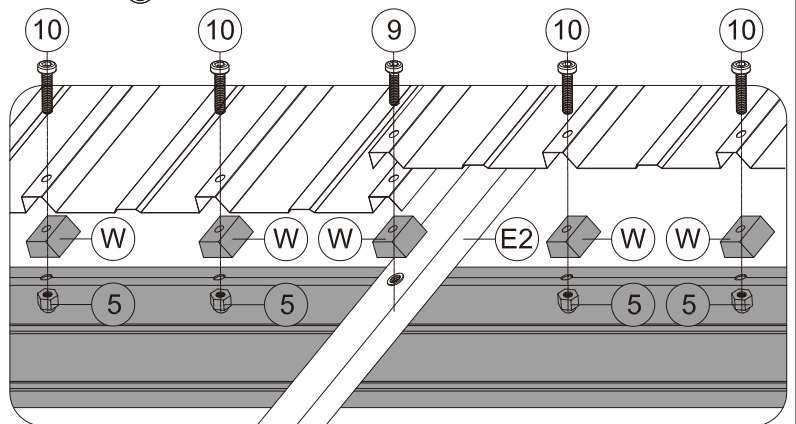
(1) Insert Part #M4 into the frame.



(3) Place 4 Part #W between roof panels and solidifying bars. Then secure with 4 Bolts #12 and 4 Nuts #5; Place 1 Part #W between roof panels and Part #E2. Then secure with 1 Bolt #9.

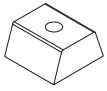


(2) Insert Part #M5 into the frame.



(4) Place 6 Part #W between roof panels and beams. Then secure with 6 Bolts #10 and 6 Nuts #5; Place 1 Part #W between roof panels and Part #E2. Then secure with 1 Bolt #9.

(5) Repeat the above procedures to assemble the opposite side.



W 12x



1 1x



M6

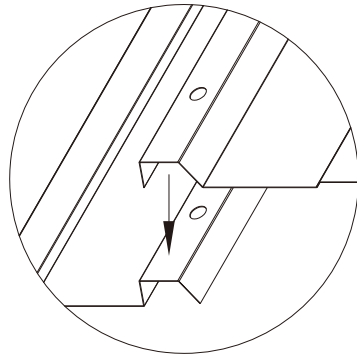
5 12x



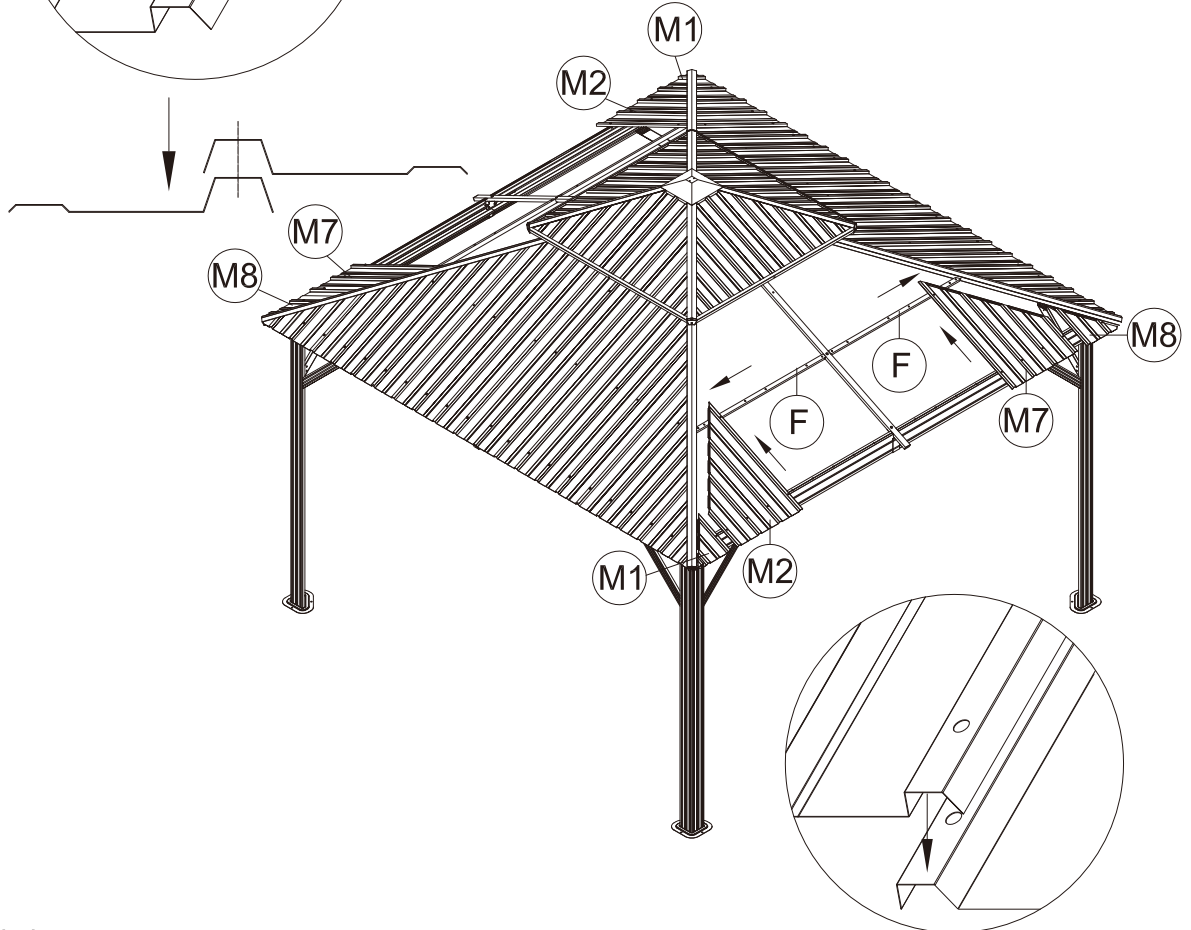
M6x28

10 12x

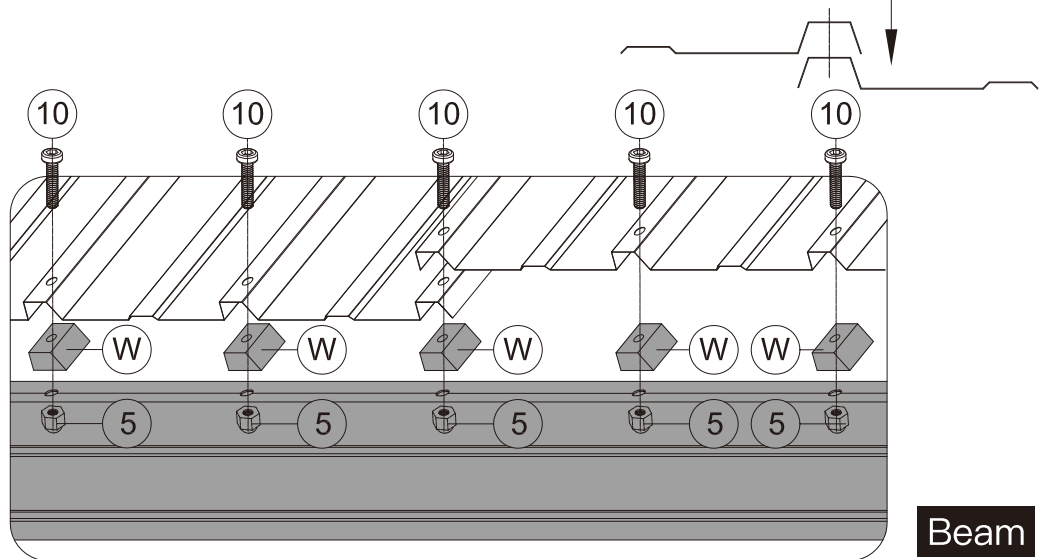
ATTENTION: The bigger roof panel need to cover the smaller one.



(1) Insert Part #M1 and Part #M2 into the frame.

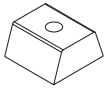


(2) Insert Part #M8 and Part #M7 into the frame.



(3) Place 6 Part #W between roof panels and beams. Then secure with 6 Bolts #10 and 6 Nuts #5.

(4) Repeat the above procedures to assemble the opposite side.



(W) 20x



(1) 1x



M6

(5) 20x



M6x28

(10) 12x

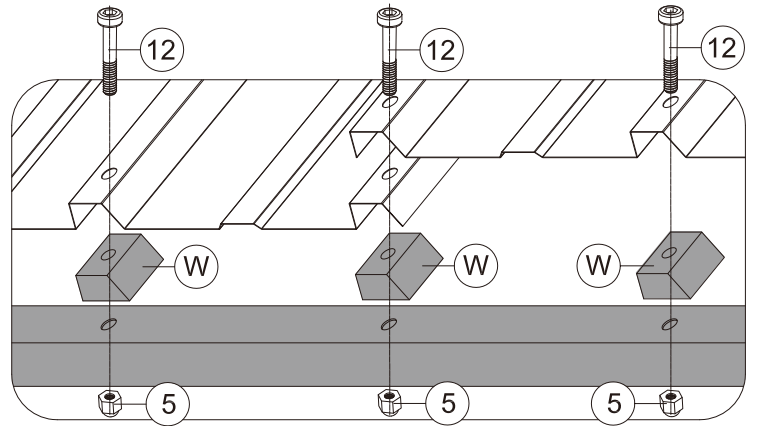


M6x50

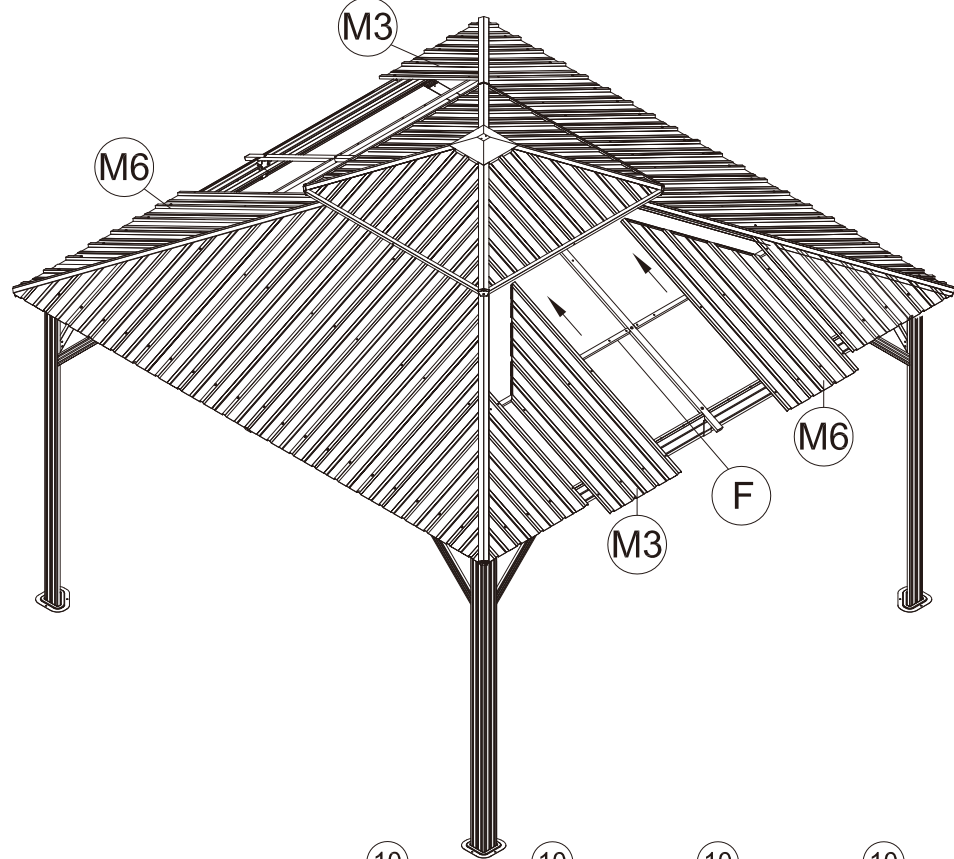
(12) 8x

ATTENTION: The bigger roof panel need to cover the smaller one.

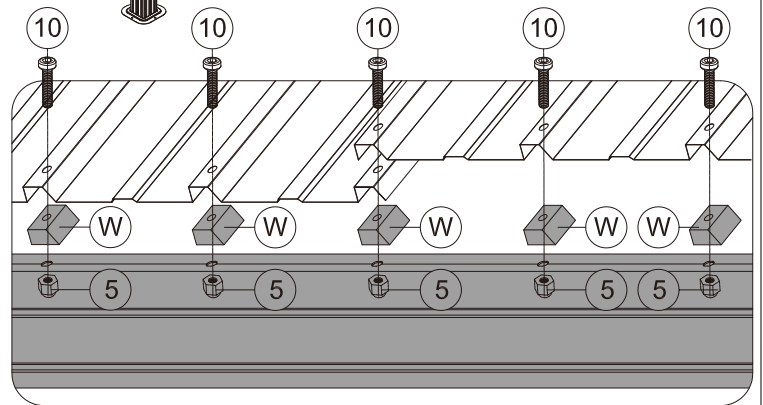
(1) Insert Part #M3 into the frame.



(3) Place 4 Part #W between roof panels and solidifying bars. Then secure with 4 Bolts #12 and 4 Nuts #5.

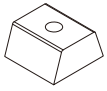


(2) Insert Part #M6 into the frame.



(4) Place 6 Part #W between roof panels and beams. Then secure with 6 Bolts #10 and 6 Nuts #5.

(5) Repeat the above procedures to assemble the opposite side.



W 24x

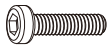


1 1x



M6

5 20x



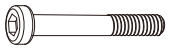
M6x25

9 4x



M6x28

10 12x

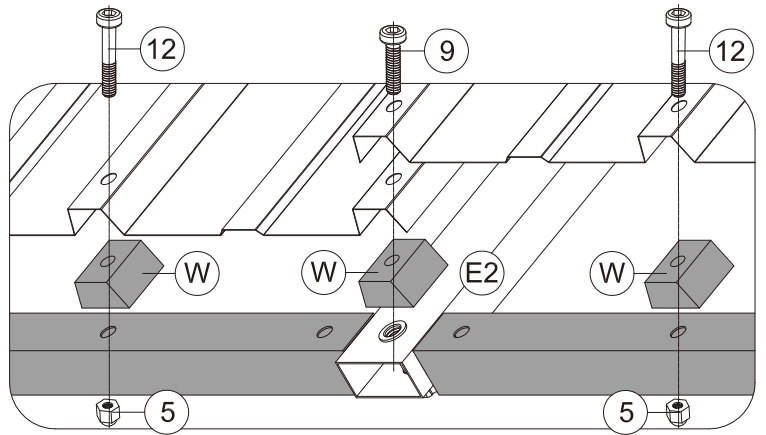
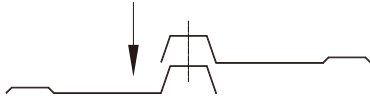


M6x50

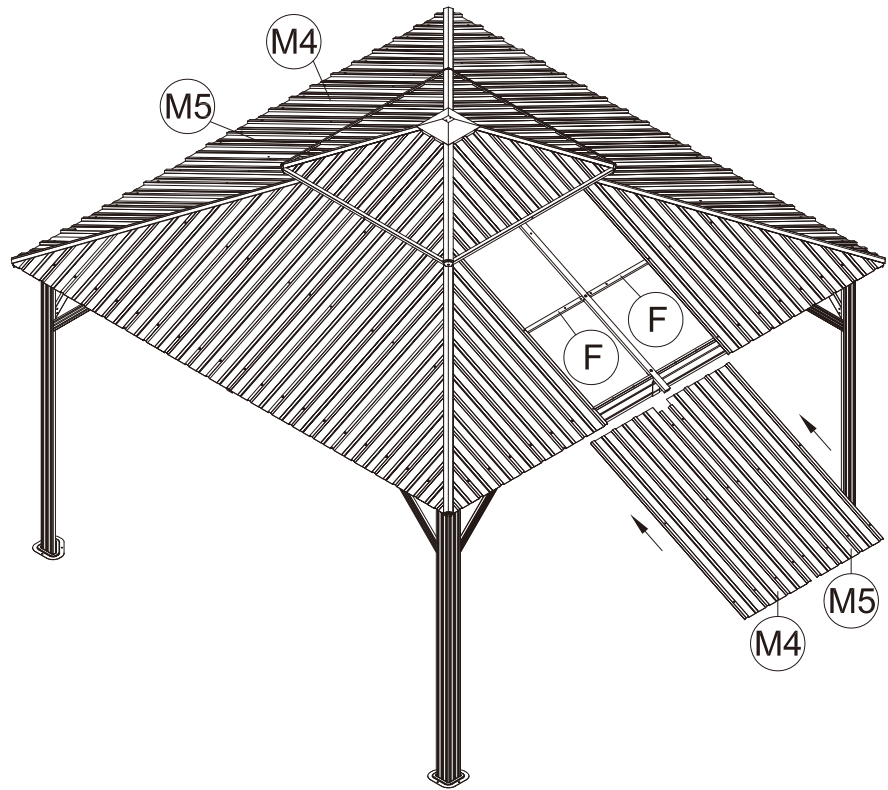
12 8x

ATTENTION: The bigger roof panel need to cover the smaller one.

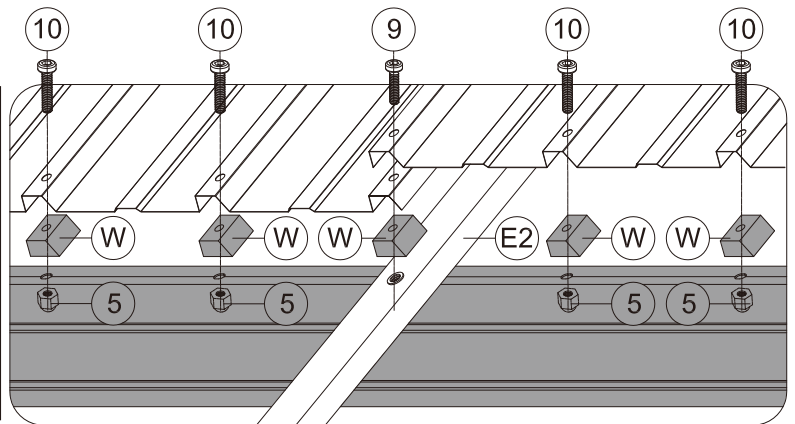
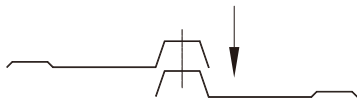
(1) Insert Part #M4 into the frame.



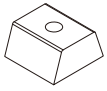
(3) Place 4 Part #W between roof panels and solidifying bars. Then secure with 4 Bolts #12 and 4 Nuts #5; Place 1 Part #W between roof panels and Part #E2. Then secure with 1 Bolt #9.



(2) Insert Part #M5 into the frame.



(4) Place 6 Part #W between roof panels and beams. Then secure with 6 Bolts #10 and 6 Nuts #5; Place 1 Part #W between roof panels and Part #E2. Then secure with 1 Bolt #9.
(5) Repeat the above procedures to assemble the opposite side.



W 4x

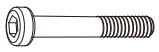


1 1x



M6

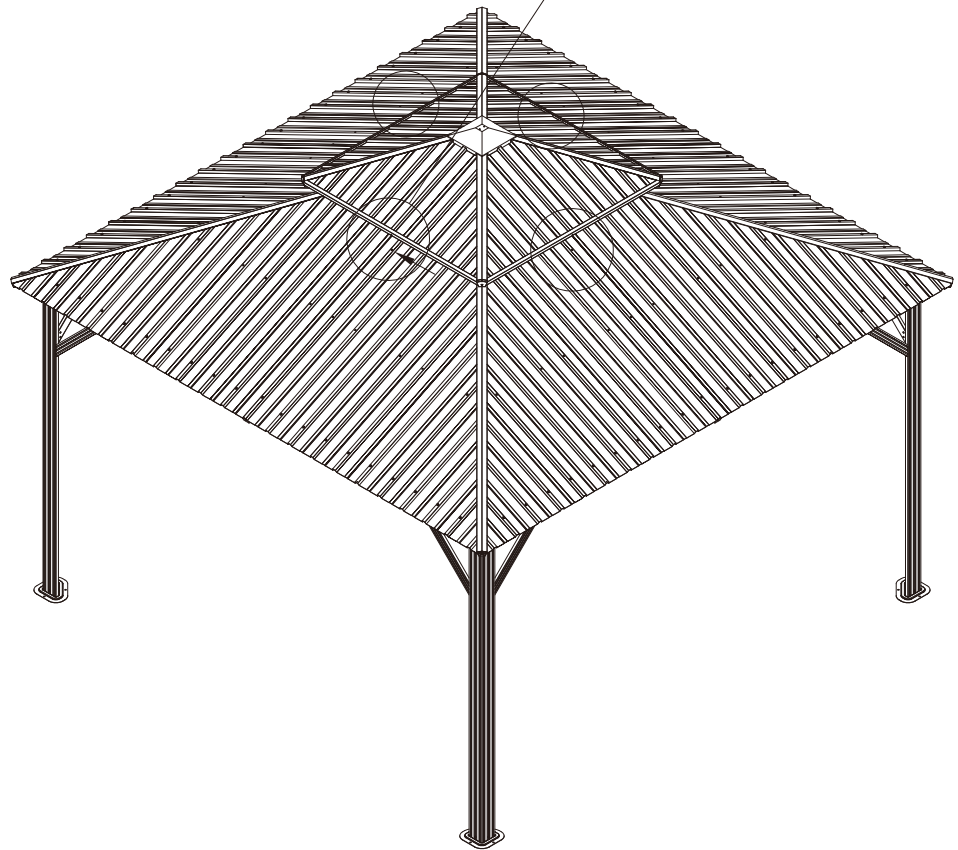
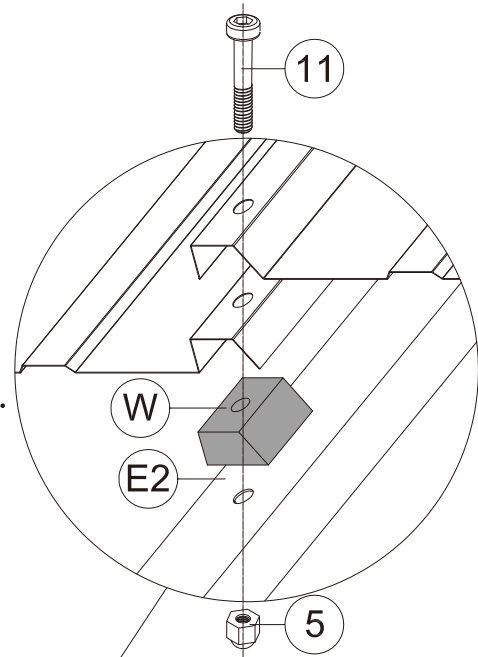
5 4x



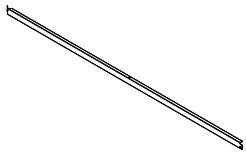
M6x45

11 4x

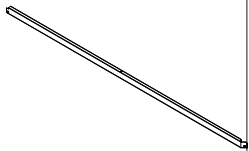
(1) Place Part #W between roof panels and Part #E2. Then secure with Bolt #11 and Nut #5.



(2) Repeat the above procedures to assemble the other 3 sides.



(K) 4x



(K1) 4x



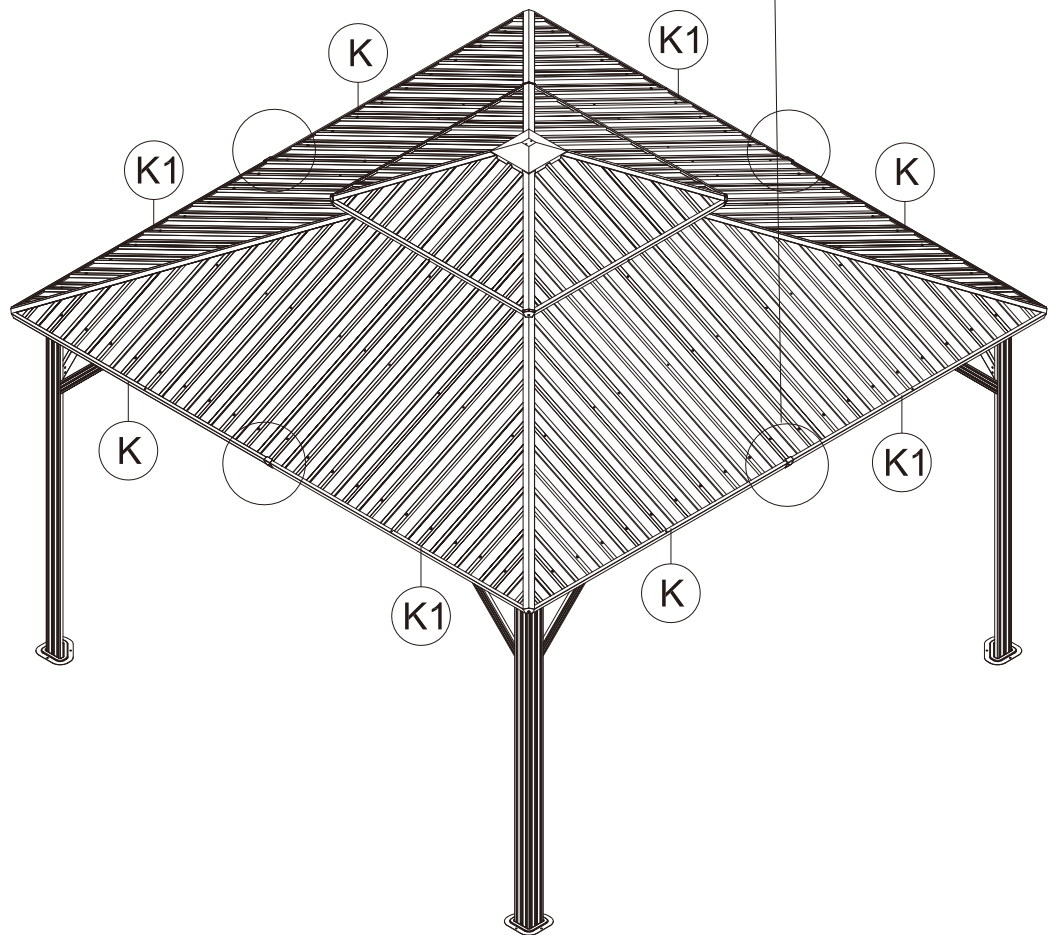
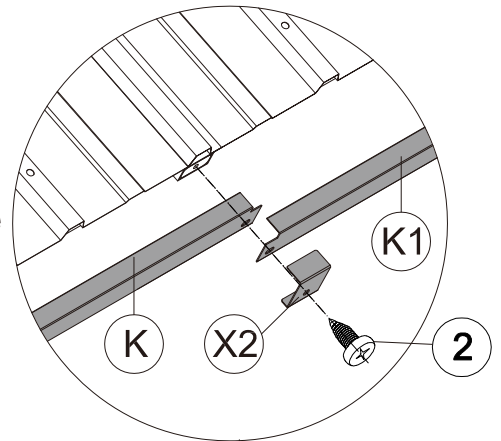
(X2) 4x



ST6.3x15

(2) 4x

(1) Place Part #K and Part #K1 on Part #E2; Put on Part #X2 and secure with Self-tapping Screw #2.



(2) Repeat the above procedures to assemble the other 3 sides.

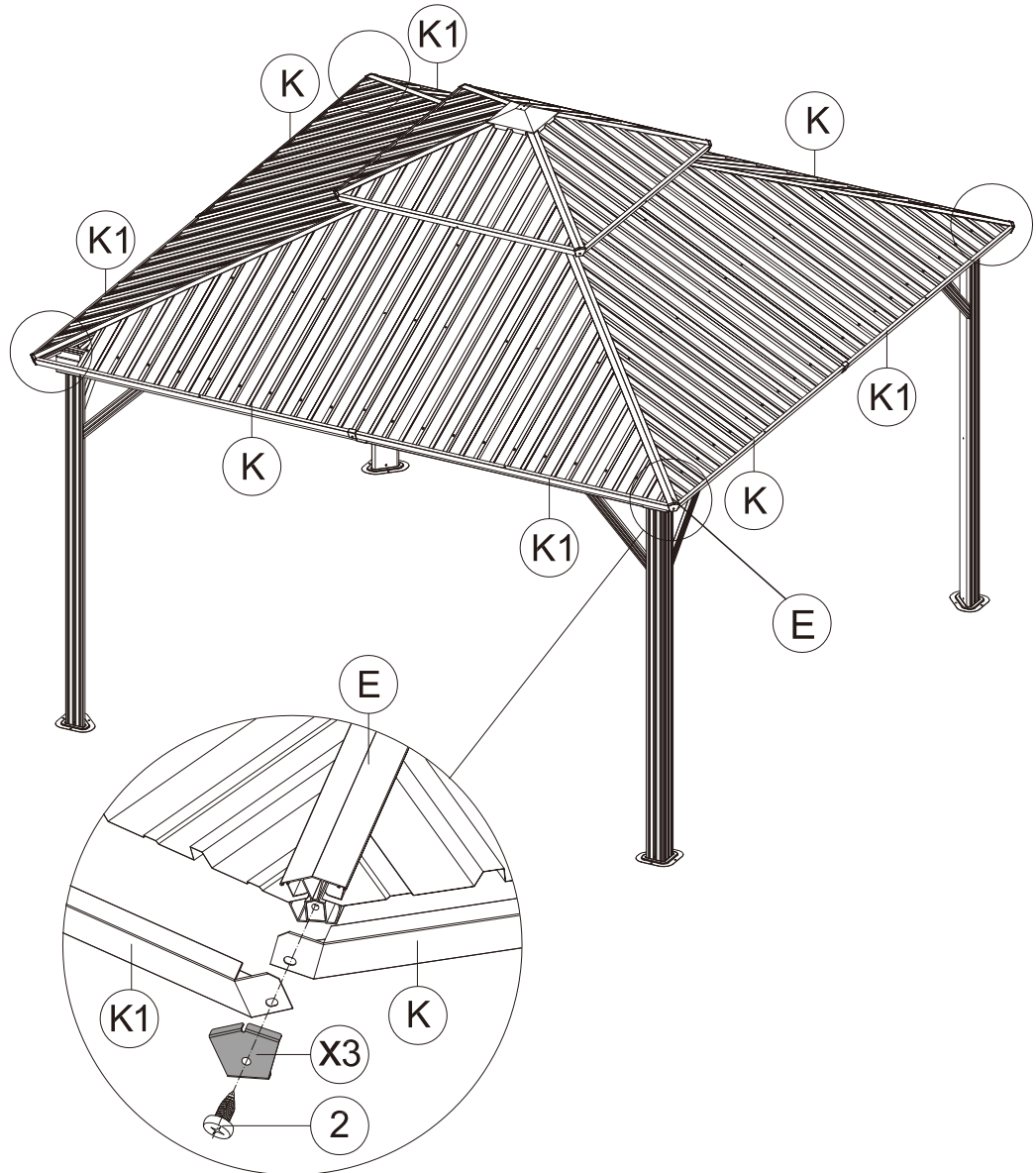


X3 4x



ST6.3x15

2 4x



(1) Place Part #K1 and Part #K on Part #E; Put on Part #X3 and secure with Self-tapping Screw #2.

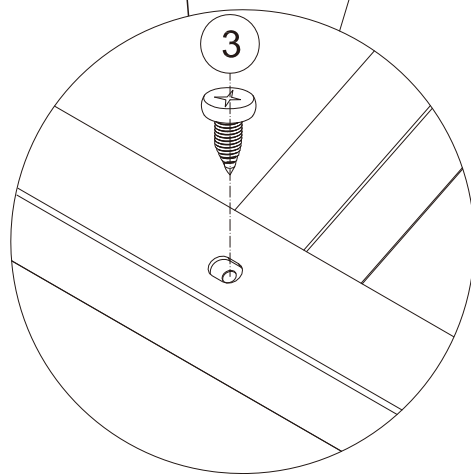
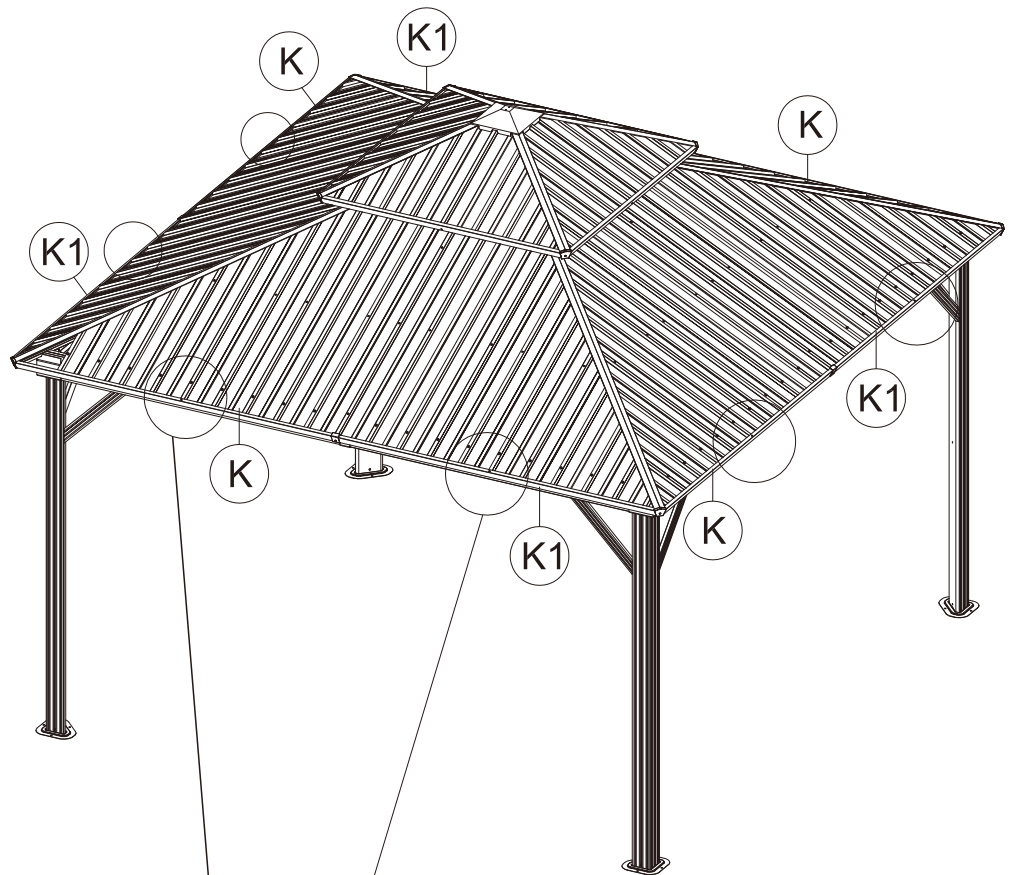
(2) Repeat the above procedures to assemble the other 3 corners.



ST5x16

3

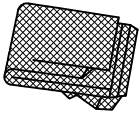
8x



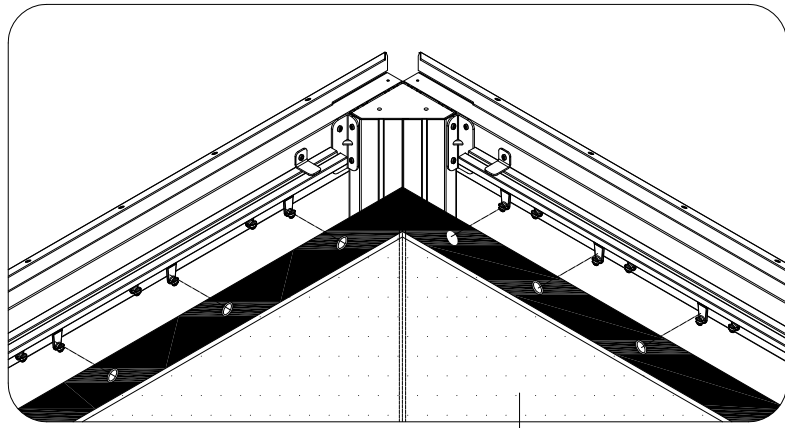
(1) Attach roof panels to finishing bars with 2 Self-tapping Screws #3.

(2) Repeat the above procedures to assemble the other 3 sides.

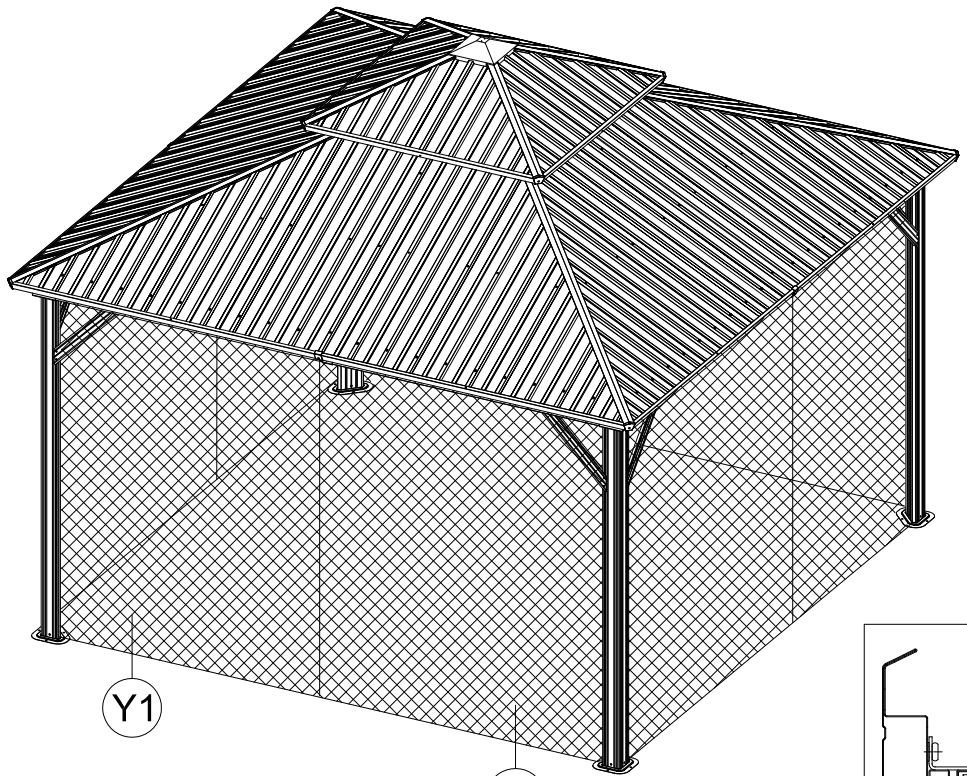
Hang up Mosquito Sidewalls to Inside Track



Y1 4x



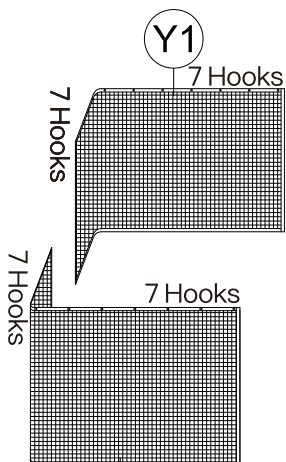
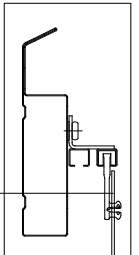
Y1



Y1

Y1

Y1



Y1

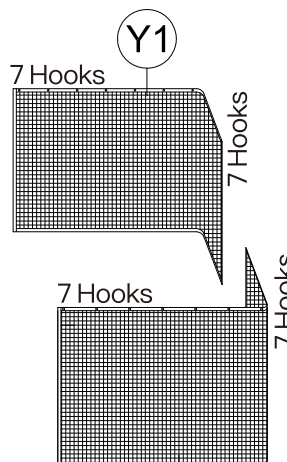
7 Hooks

7 Hooks

7 Hooks

7 Hooks

Y1



Y1

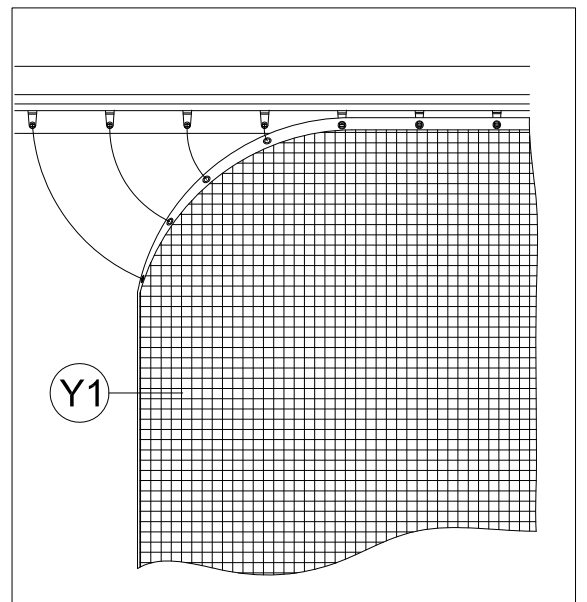
7 Hooks

7 Hooks

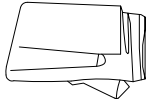
7 Hooks

7 Hooks

Y1

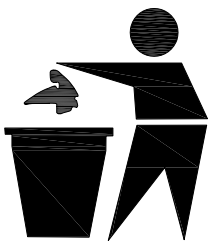
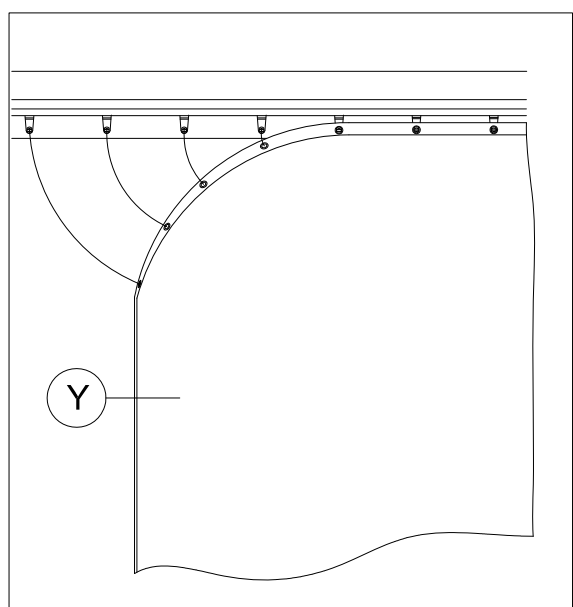
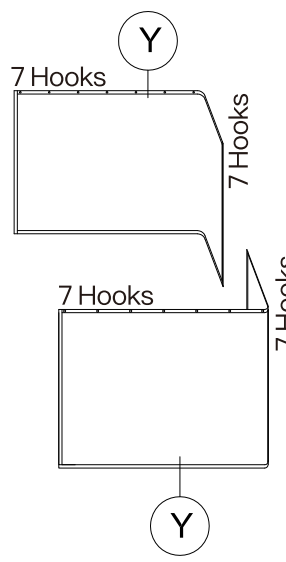
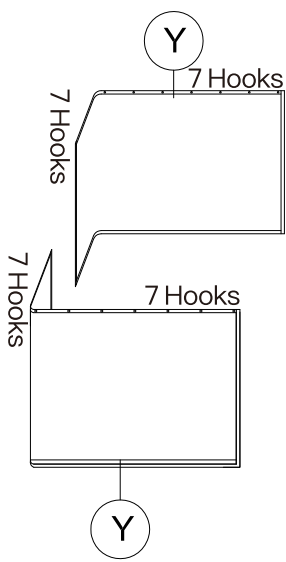
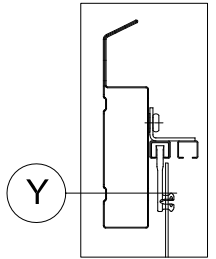
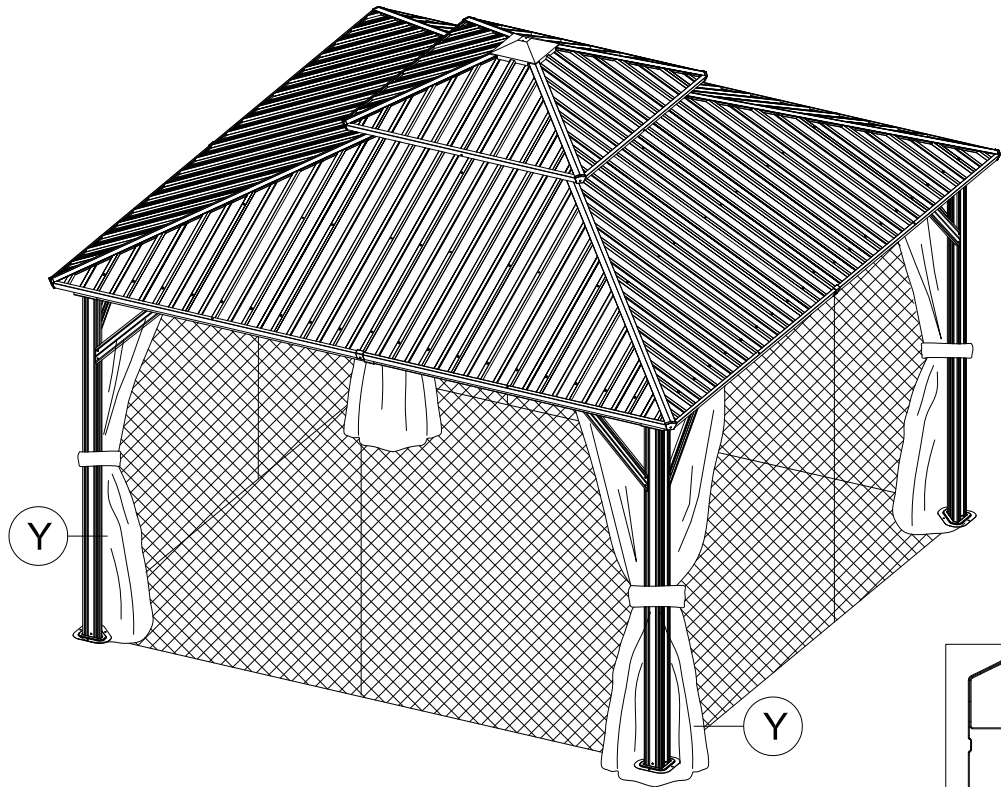
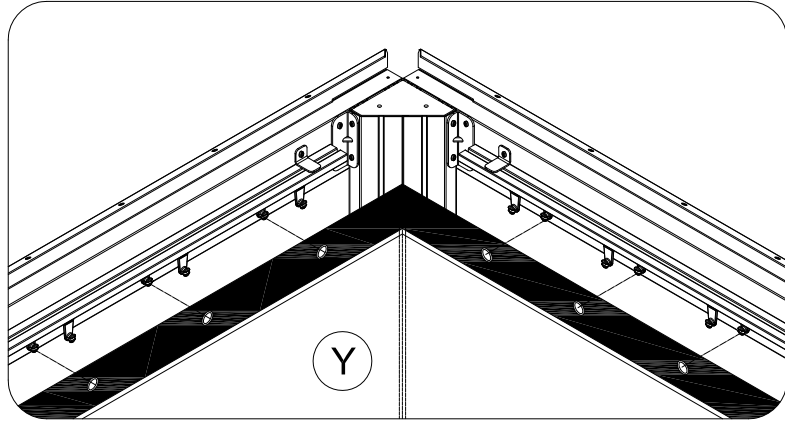


Y1



Y 4x

Hang up Solid Sidewalls to Outside Track



Thanks for your purchase.

At domi outdoor living, we believe in our products.

That's why we provide a 12-month warranty and

friendly, easy-to-reach after-sales service. So if you

have any questions about our product and assembly,

please feel free to contact us. We will be here for you.

Support:



After-sales contact email:

service@domioutdoorliving.com

Please tell us your order ID when contact.

Attach photos of damaged part for instant reply.