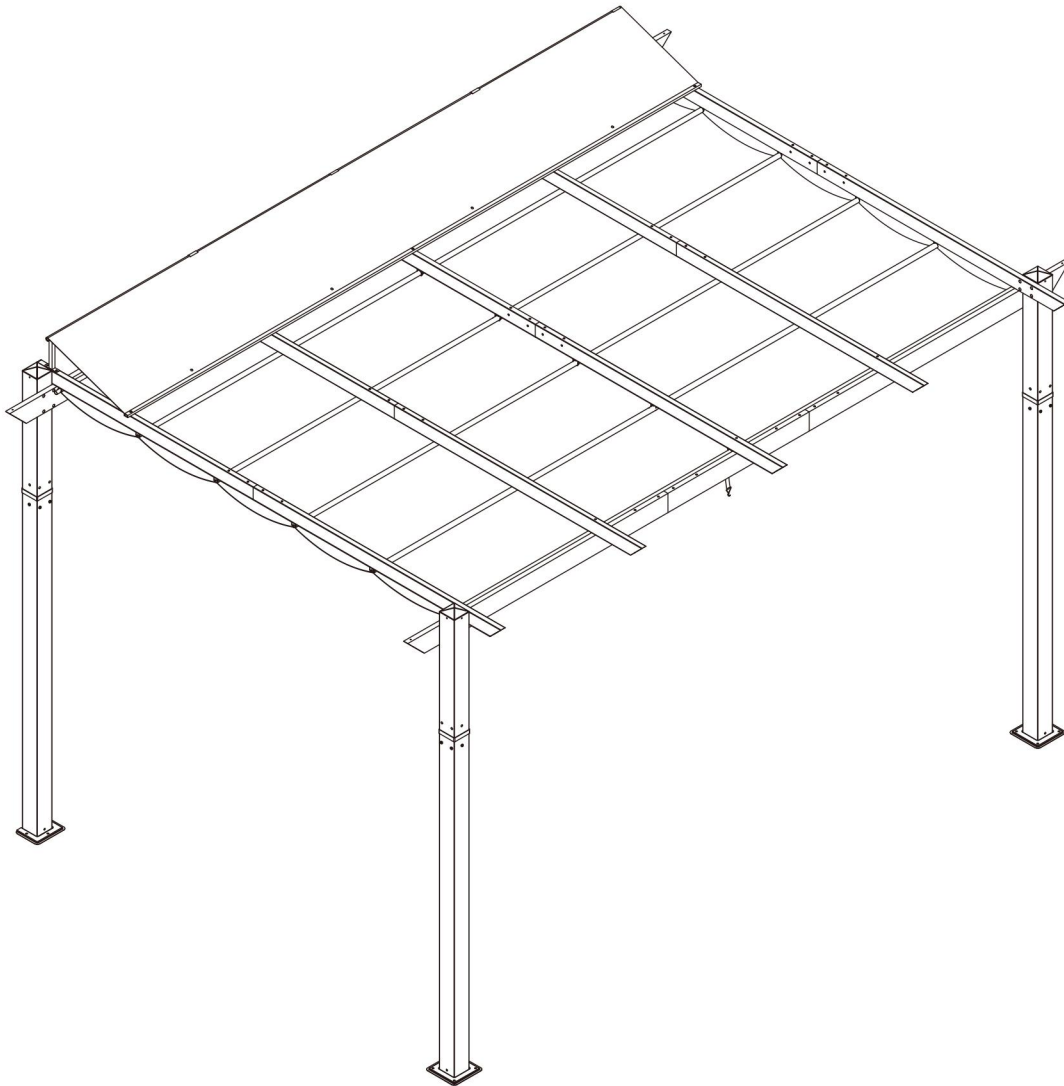




9.2'x13.1' Aluminum

Retractable Pergola Against the Wall

# Assembly Instructions



# Pre-assembly



1. Two or more people are required for assembly.



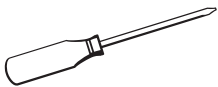
2. You will need one or more stepladders.



3. Wearing protective gloves is recommended.



4. You may need a safety hat.



5. Please use a Phillips screw driver.



6. For ease of construction, you may need a drill.



7. You may need a safety goggle.



8. Do not fully tighten screws prior to complete assembly.

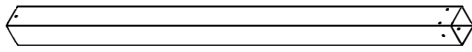
## Warning & Attention

-Try to assemble this product on the flat ground, otherwise it is difficult to carry out;

-It would be much easier to assemble the product with three or more people;

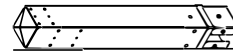
-After assembly, please check whether all screws are tightened, to prevent parts from falling apart.

L=90x90x1760mm



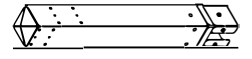
(A) 4x

L=90x90x720mm



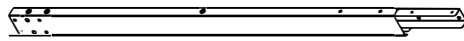
(A1) 2x

L=90x90x720mm



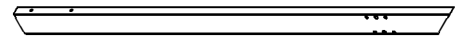
(A2) 2x

L=70x27x1478mm



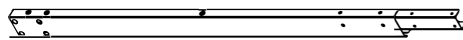
(C) 1x

L=70x27x1490mm



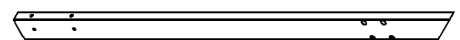
(C1) 1x

L=70x27x1478mm



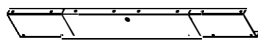
(C2) 1x

L=70x27x1490mm



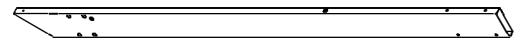
(C3) 1x

L=100x25x1250mm



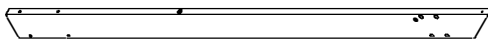
(D) 1x

L=100x25x1565mm



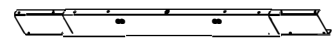
(D1) 1x

L=100x25x1565mm



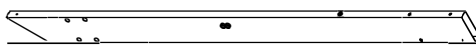
(D2) 1x

L=100x25x1250mm



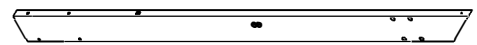
(E) 1x

L=100x25x1565mm



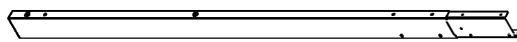
(E1) 1x

L=100x25x1565mm



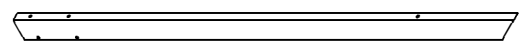
(E2) 1x

L=70x25x1478mm



(F) 2x

L=70x25x1490mm



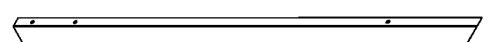
(F1) 2x

L=70x27x1478mm



(G) 1x

L=70x27x1490mm



(G1) 1x

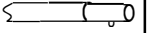
Part list

L=Ø19x1720mm



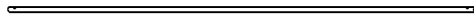
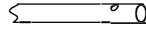
(H) 5x

L=Ø19x1720mm



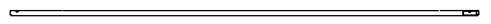
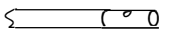
(H1) 5x

L=Ø16x1747mm



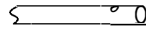
(J) 1x

L=Ø16x1747mm



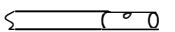
(J1) 1x

L=Ø16x1747mm



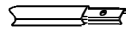
(K) 1x

L=Ø16x1747mm



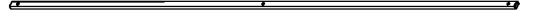
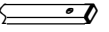
(K1) 1x

L=20x10x1747mm

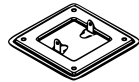


(L) 1x

L=20x10x1747mm



(L1) 1x



(B) 2x



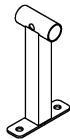
(B1) 2x



(M) 1x



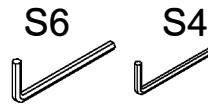
(M1) 1x



(N) 5x



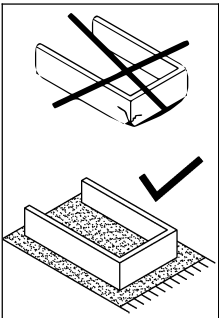
(P) 8x



(Q) 1x



(R) 1x



(S) 1x



(S1) 4x



(S2) 10x



M6x16

(1) 85x



M6x15

(2) 32x



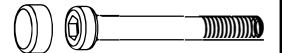
M6x20

(3) 3x



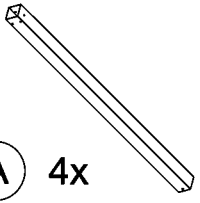
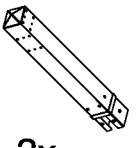
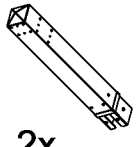




M6x28

(4) 3x

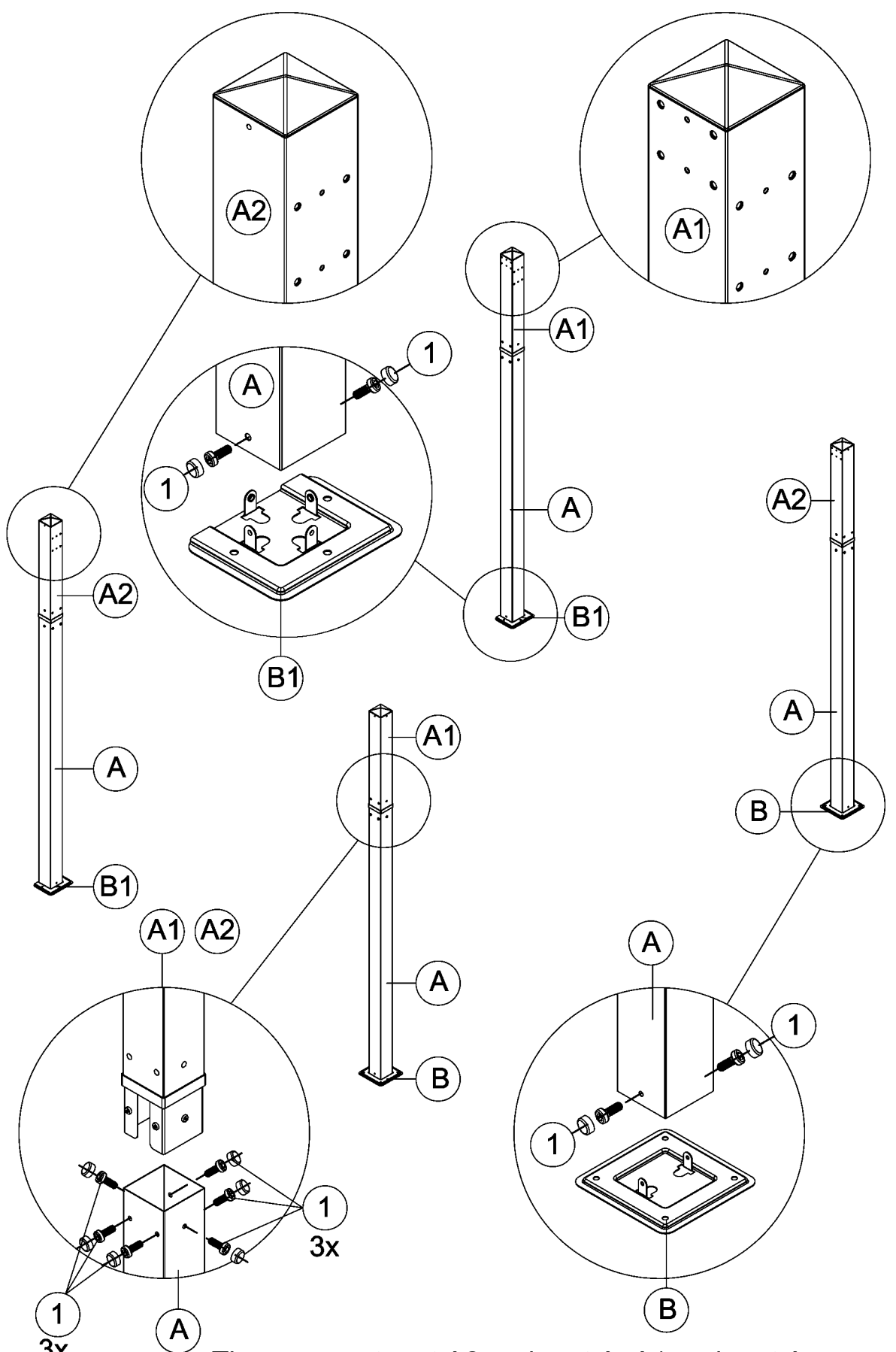


M6x85

(5) 6x

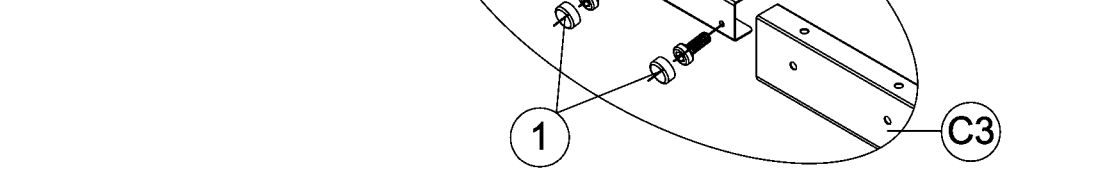
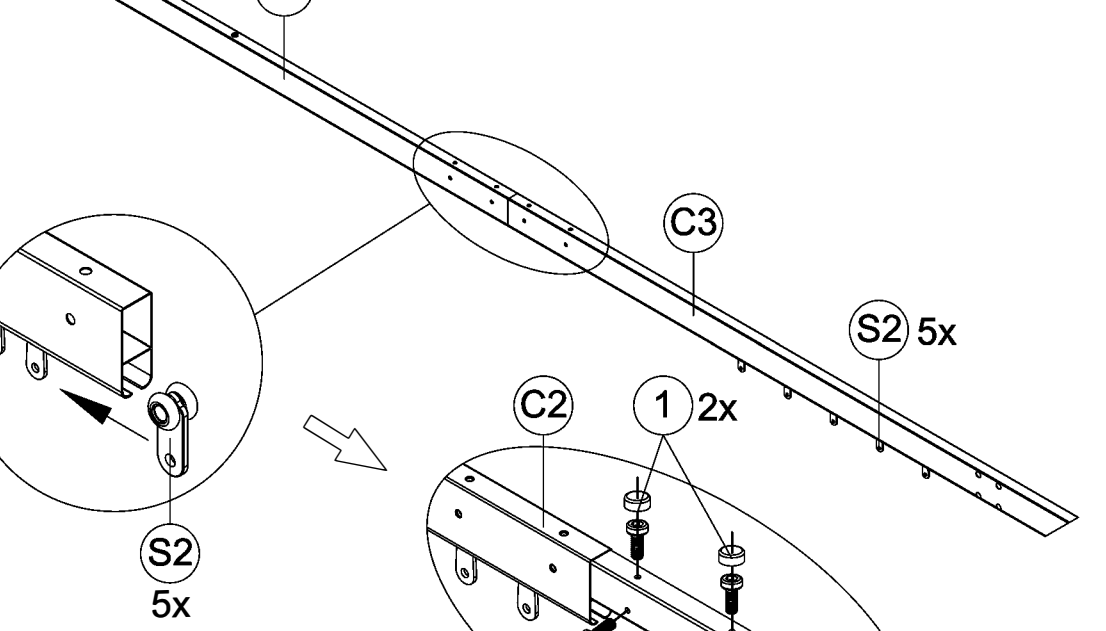
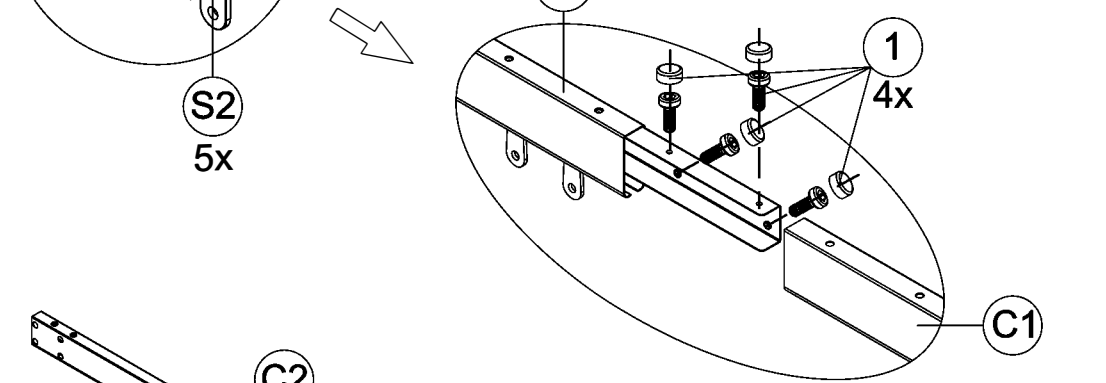
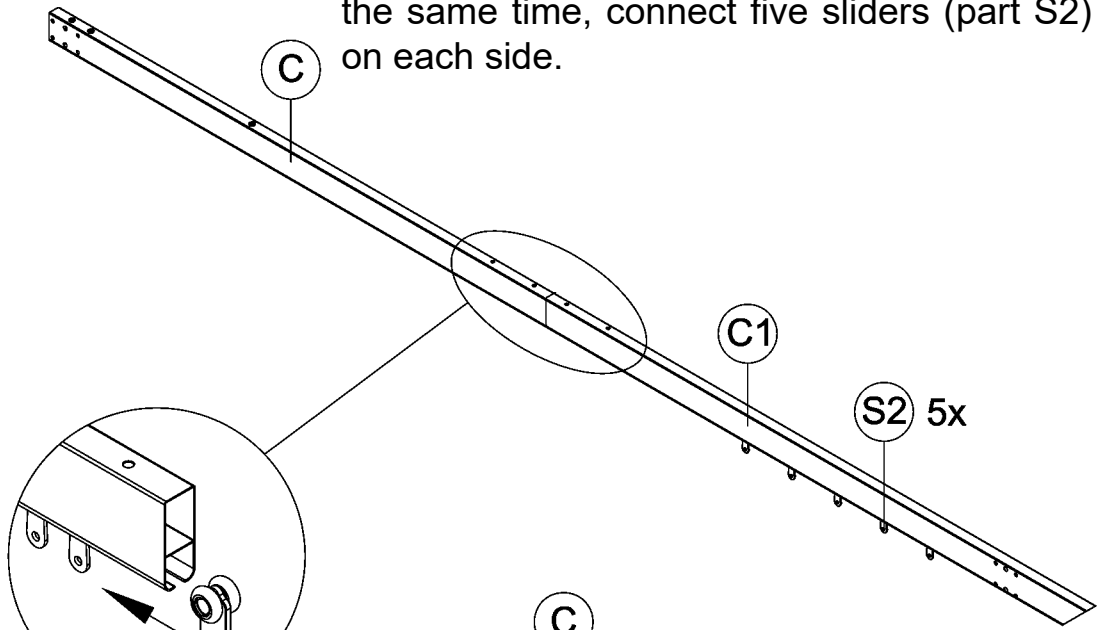
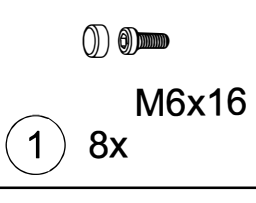
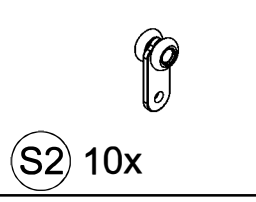
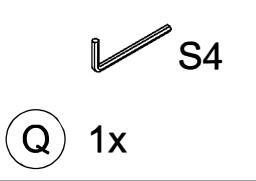
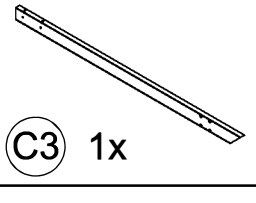
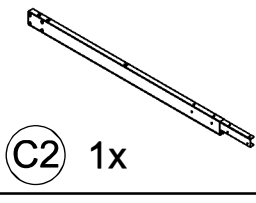
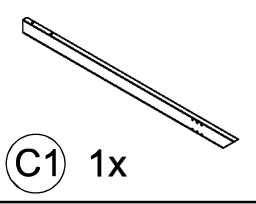
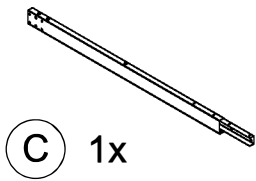
-  **A** 4x
-  **A1** 2x
-  **A2** 2x
-  **B** 2x
-  **B1** 2x
-  **Q** 1x
-  **1** 32x

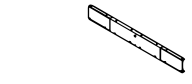
**Step 1:** Connect part A1 and part A, part A2 and part A on the side of the wall using screws 1# and part B1 as shown in diagram.



Then connect part A2 and part A, A1 and part A on the other side using screws 1# and part B.

**Step 2:** As shown in the figure, use screws 1# to connect part C and C1, and also connect part C2 and C3 together. At the same time, connect five sliders (part S2) on each side.

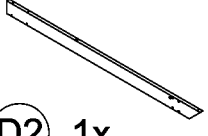




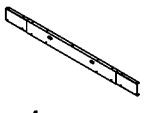
D 1x



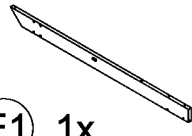
D1 1x



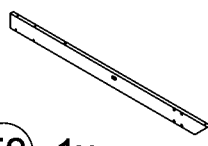
D2 1x



E 1x



E1 1x

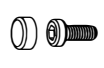


E2 1x



S4

Q 1x

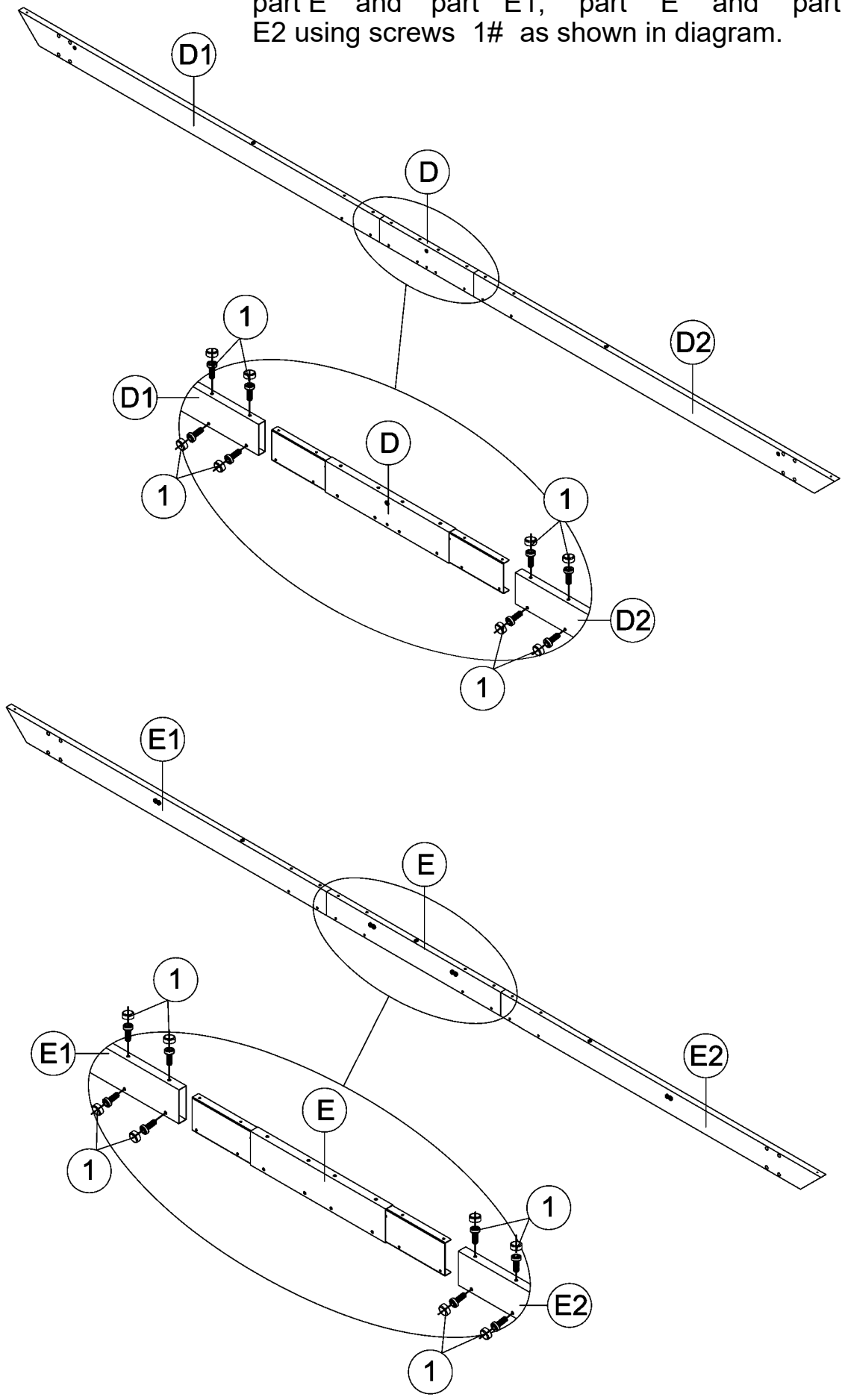


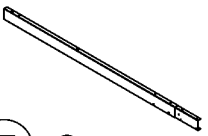
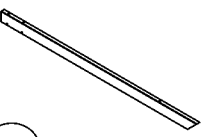
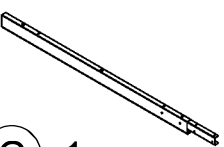
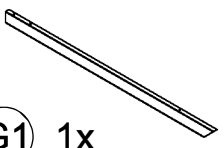





M6x16

1 16x

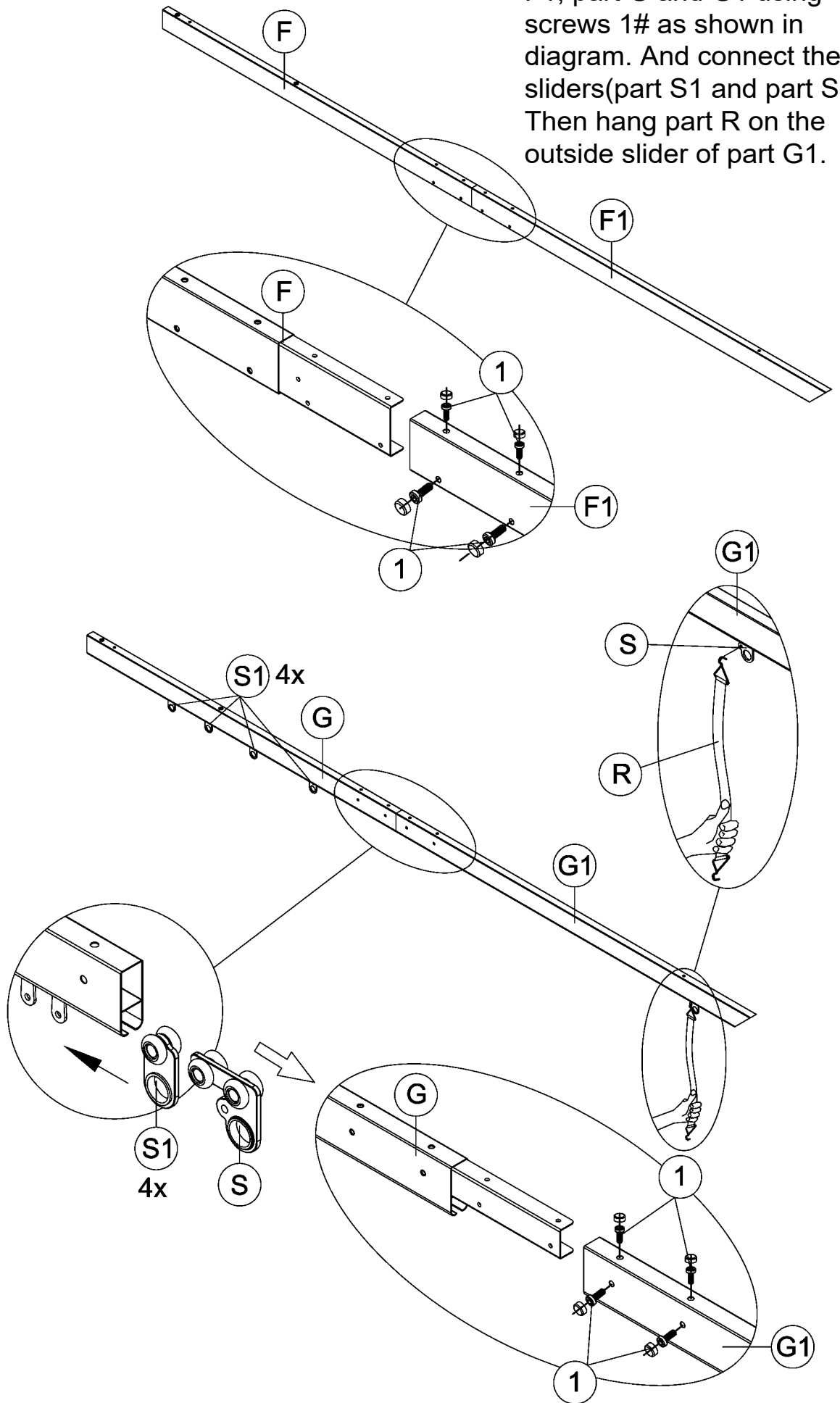
6

**Step 3:** Link part D and part D1, part D and part D2 using screws 1# as shown in diagram1# as shown in diagram. And link part E and part E1, part E and part E2 using screws 1# as shown in diagram.




<b>F</b> 2x

<b>F1</b> 2x

<b>G</b> 1x

<b>G1</b> 1x

<b>R</b> 1x

<b>S4</b>
<b>Q</b> 1x

<b>S</b> 1x

<b>S1</b> 4x

<b>1</b> 12x M6x16
<b>7</b>

**Step 4:** Link part F and F1, part G and G1 using screws 1# as shown in diagram. And connect the sliders(part S1 and part S). Then hang part R on the outside slider of part G1.







M6x15

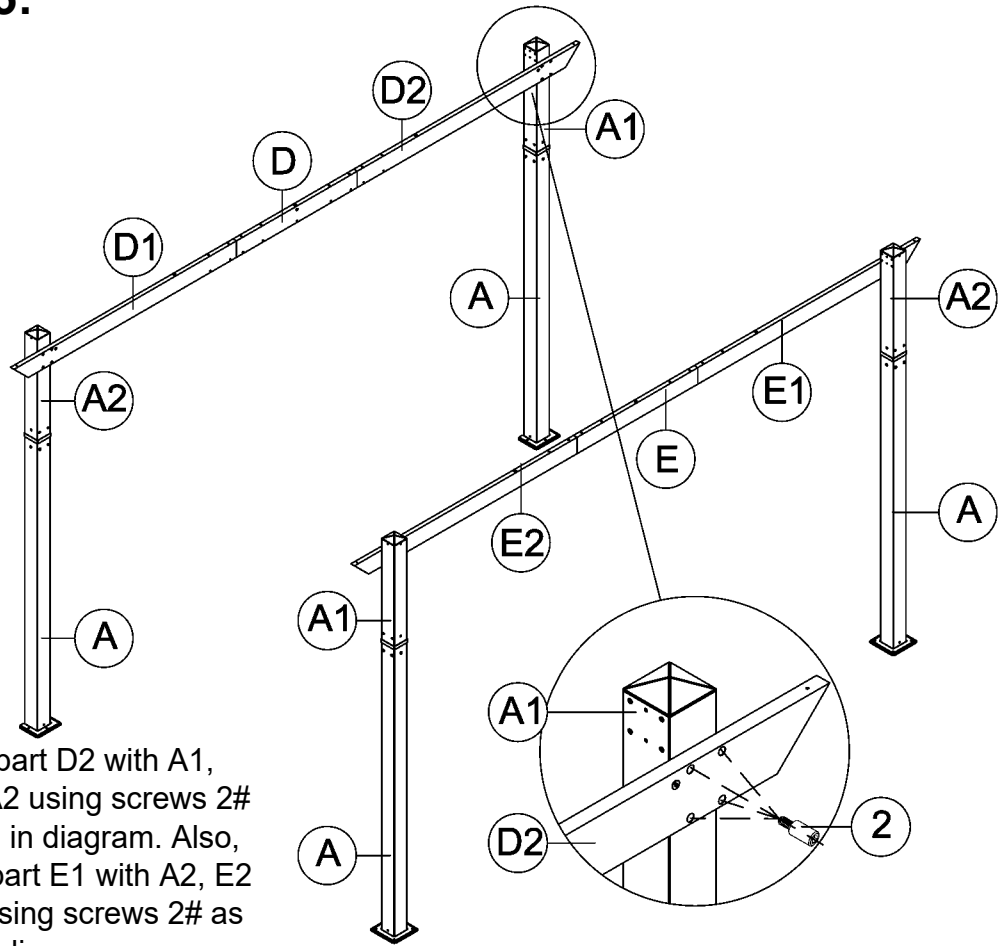
2 16x

S6



Q 1x

### Step 5:



Connect part D2 with A1, D1 with A2 using screws 2# as shown in diagram. Also, connect part E1 with A2, E2 with A1 using screws 2# as shown in diagram.



M6x15

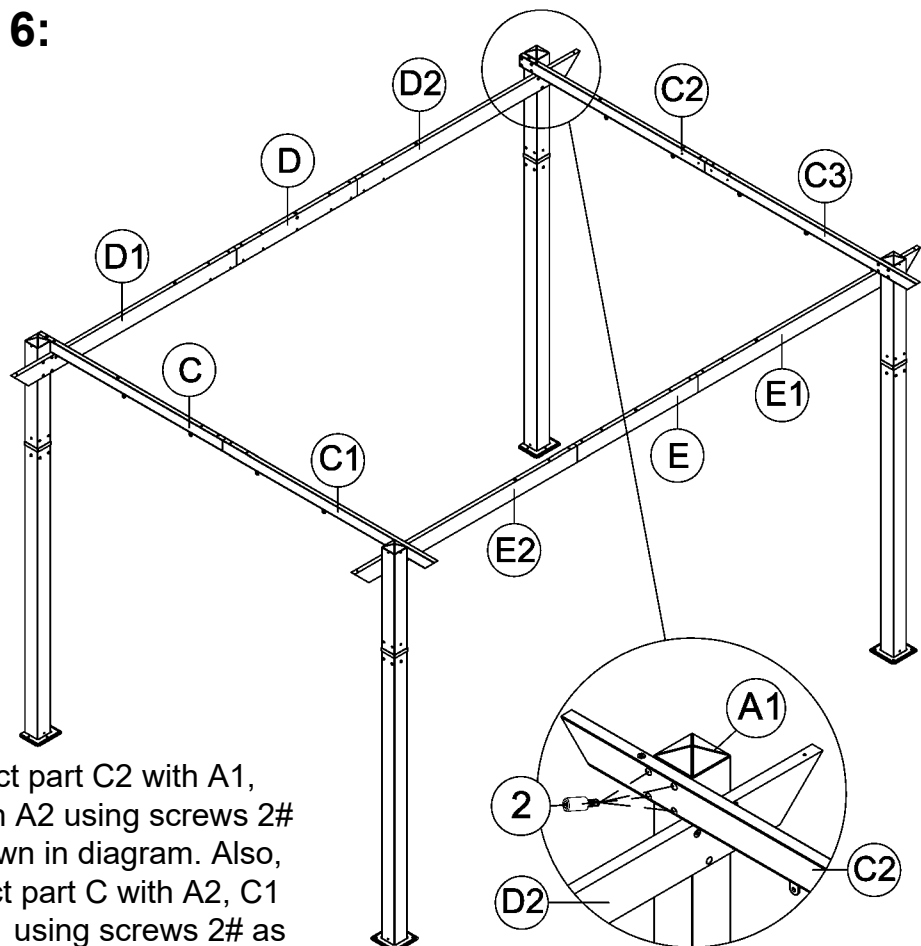
2 16x

S6

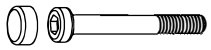


Q 1x

### Step 6:



Connect part C2 with A1, C3 with A2 using screws 2# as shown in diagram. Also, connect part C with A2, C1 with A1 using screws 2# as shown in diagram.



M6x85

5 3x

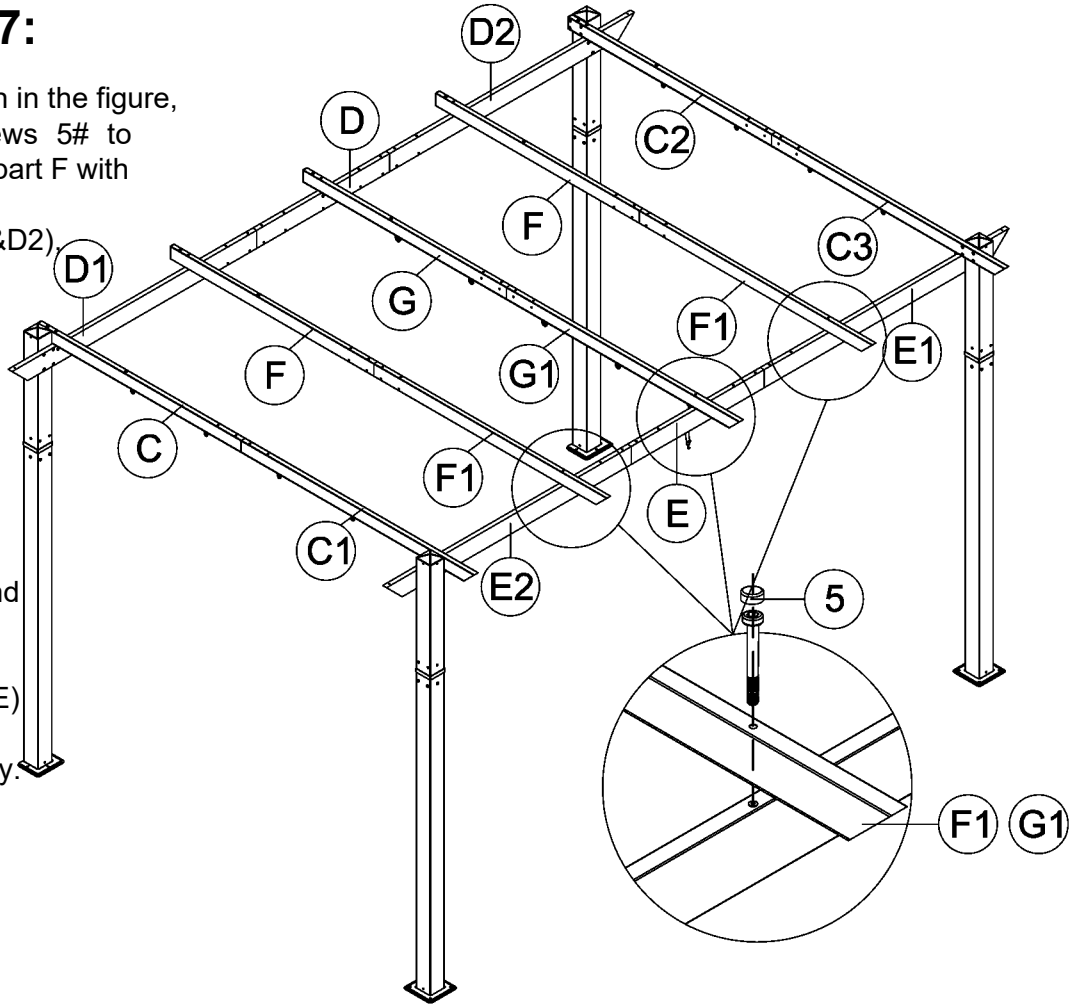


S4

Q 1x

### Step 7:

As shown in the figure, use screws 5# to connect part F with beams (part D1&D2) and also connect part F1 with beams (part E1&E2). Then connect part G and G1 with beams (part D&E) in the same way.



### Step 8:

Insert part J&J1 into the pocket of top roof (part M) as shown in diagram, then insert part H&H1 into the pocket of top roof in turn.

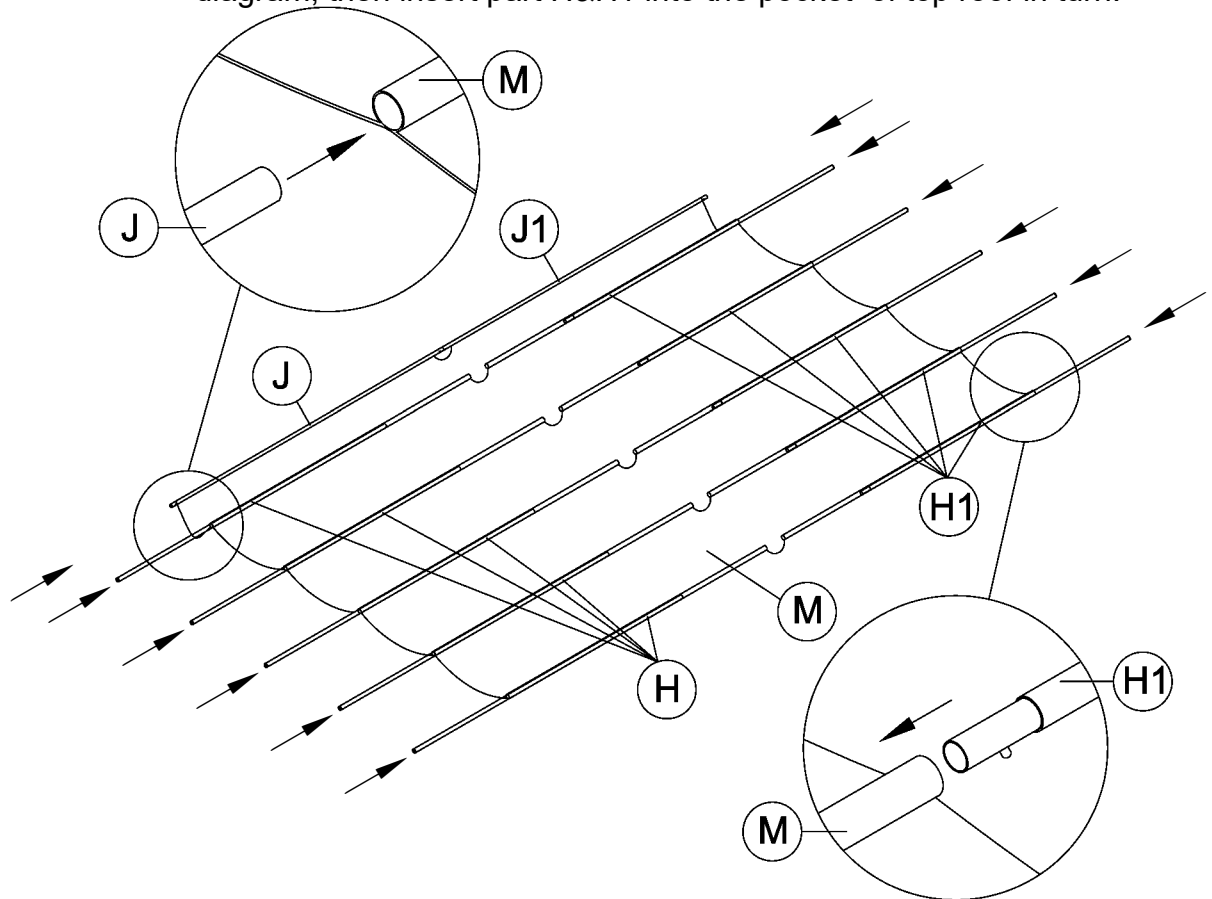
H 5x

H1 5x

J 1x

J1 1x

M 1x



**Step 9:** Insert part L&K, L1&K1 into the part M1 using part N.

(K) 1x

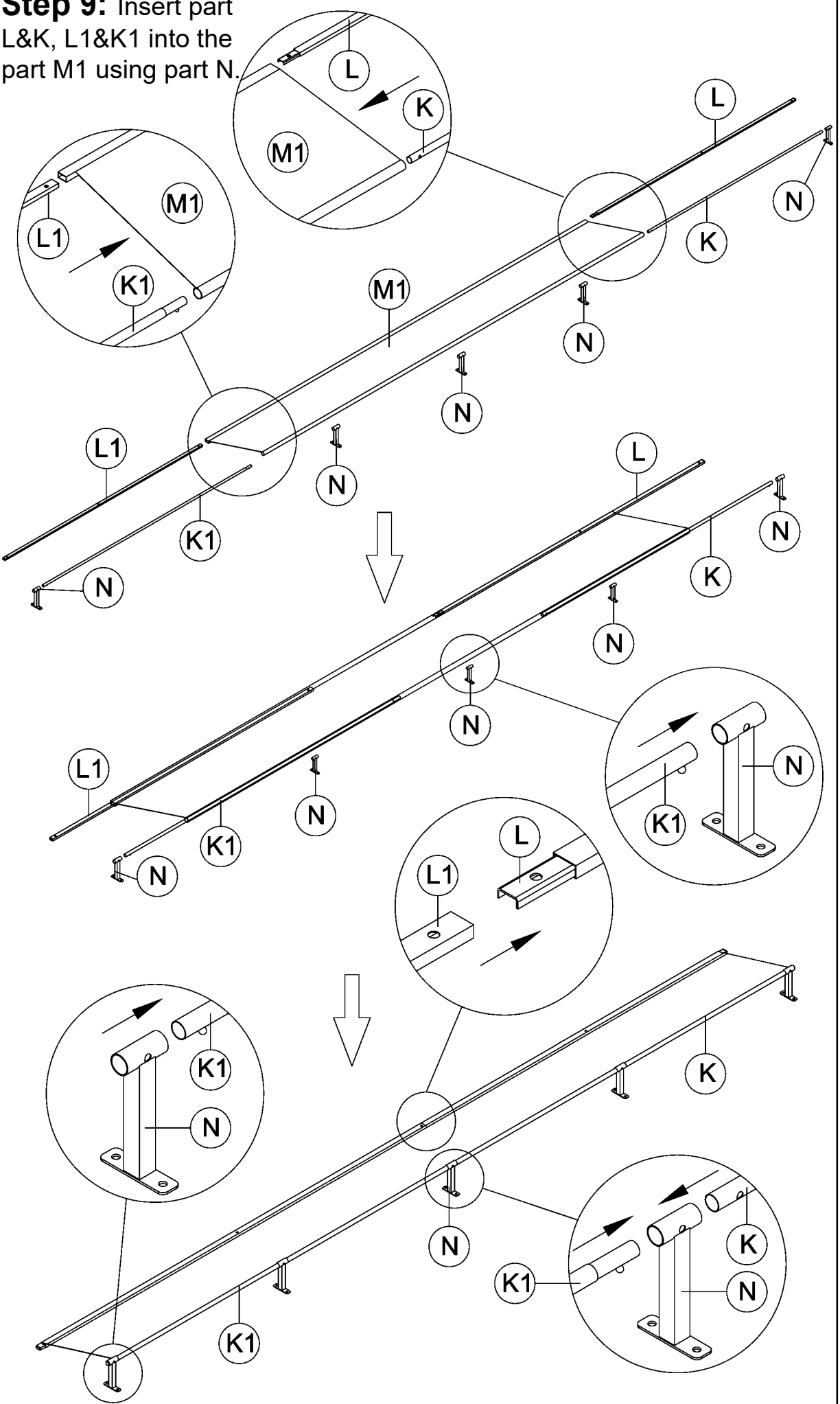
(K1) 1x

(L)

(L1)

(M1) 1x

(N) 5x





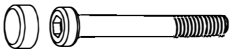
M6x16

2 7x



M6x20

3 3x



M6x85

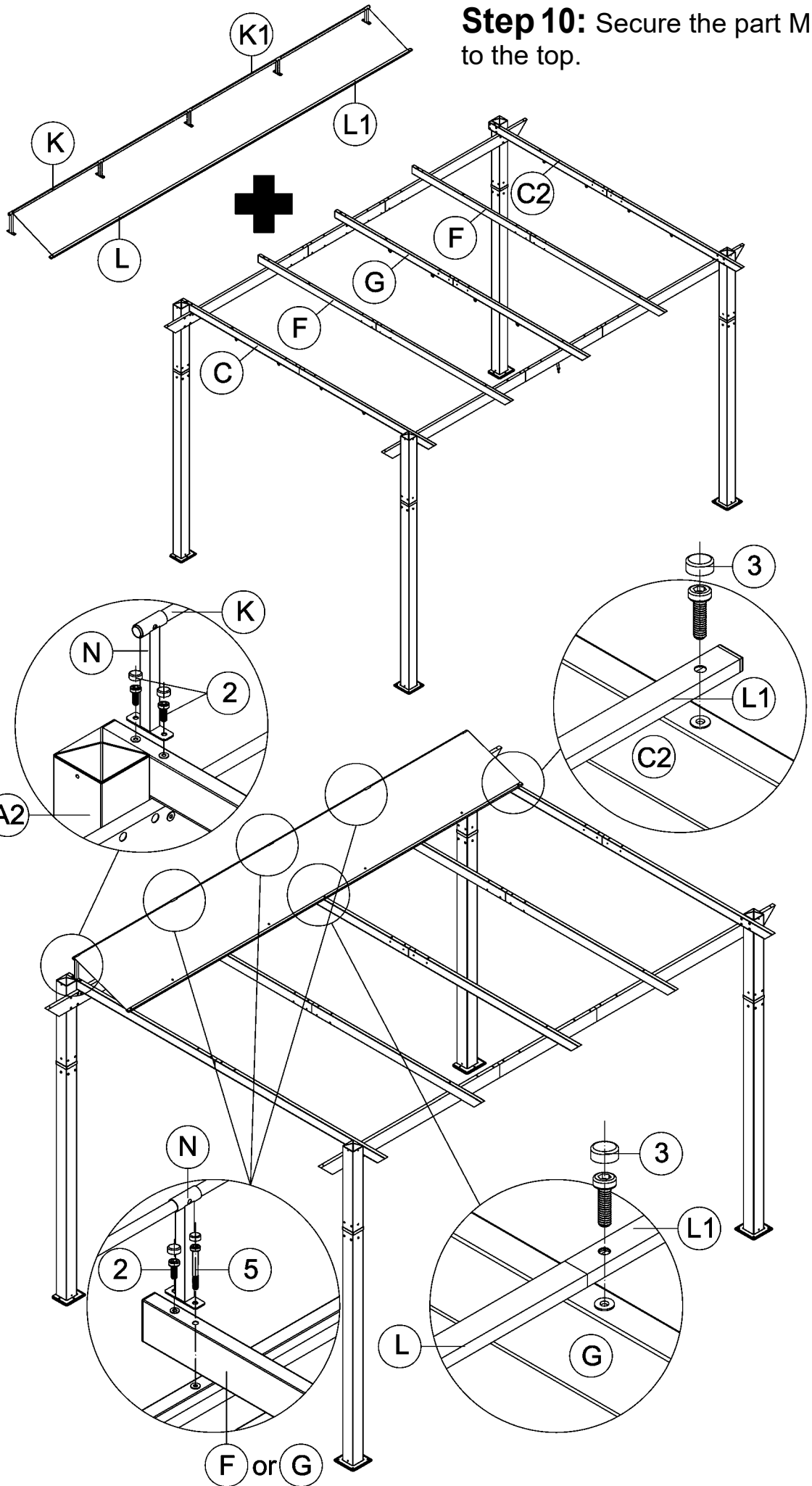
5 3x



S4

Q 1x

**Step 10:** Secure the part M1 to the top.



**Step 11** : Connect part J and part D1 and connect part H and part H1.



M6x16

2 10x



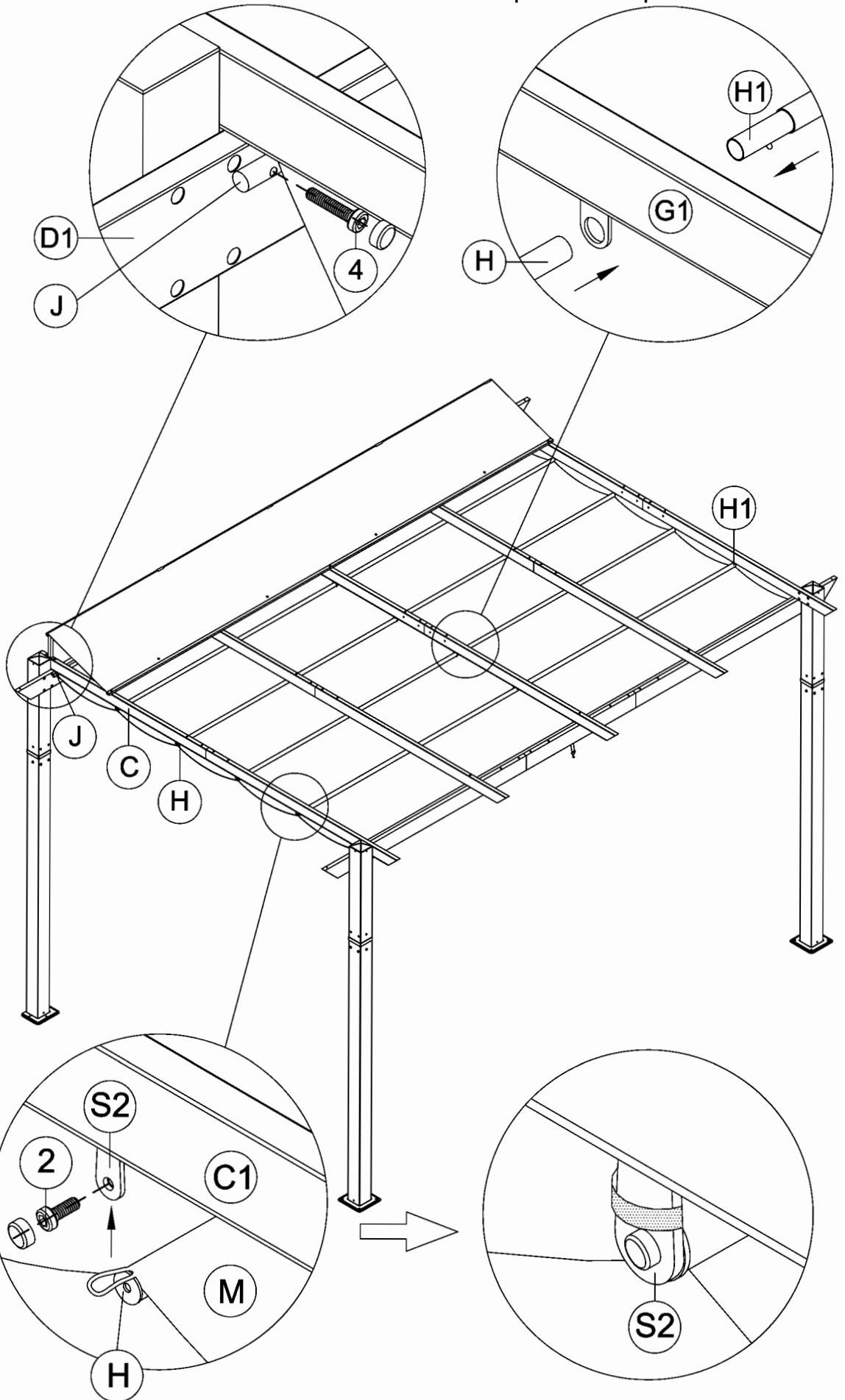
M6x28

4 3x

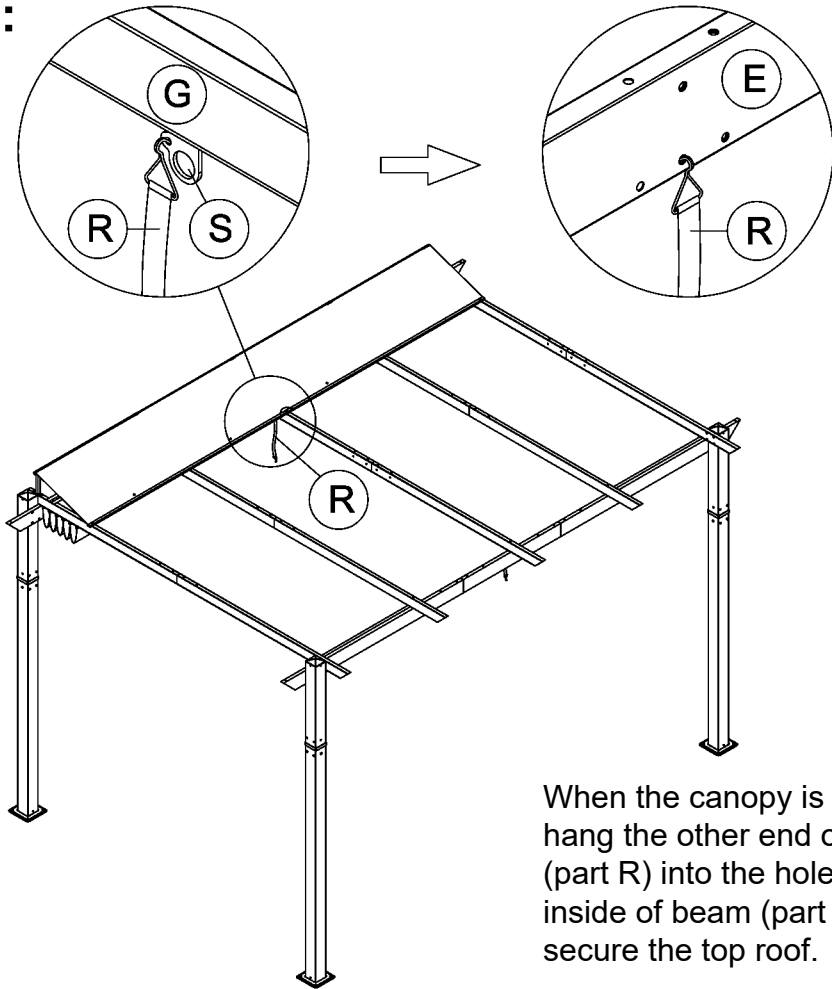


S4

Q 1x



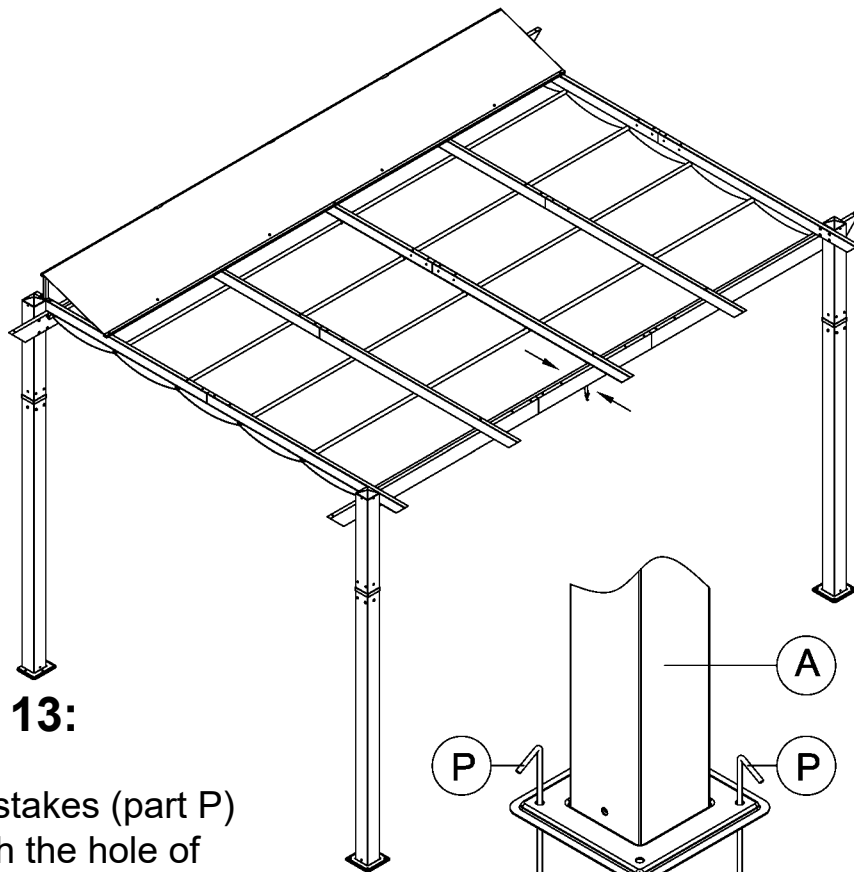
**Step 12 :**



When the canopy is folded, hang the other end of string (part R) into the hole on the inside of beam (part E) to secure the top roof.



(P) 8x



**Step 13:**

Insert stakes (part P) through the hole of stand plate (part B) into the ground, to stabilize the tent.





RESORT COMFORT IN YONR  
OWN BACKYARD

**Thanks for your purchase.**

At domi outdoor living, we believe in our products.

That's why we provide a 12-month warranty and

friendly, easy-to-reach after-sales service. So if you

have any questions about our product and assembly-

, please feel free to contact us. We will be here for you.

**Support:**  

email: [service@domioutdoorliving.com](mailto:service@domioutdoorliving.com)

Please tell us your order ID when contact.

Attach photos of damaged part for instant reply.