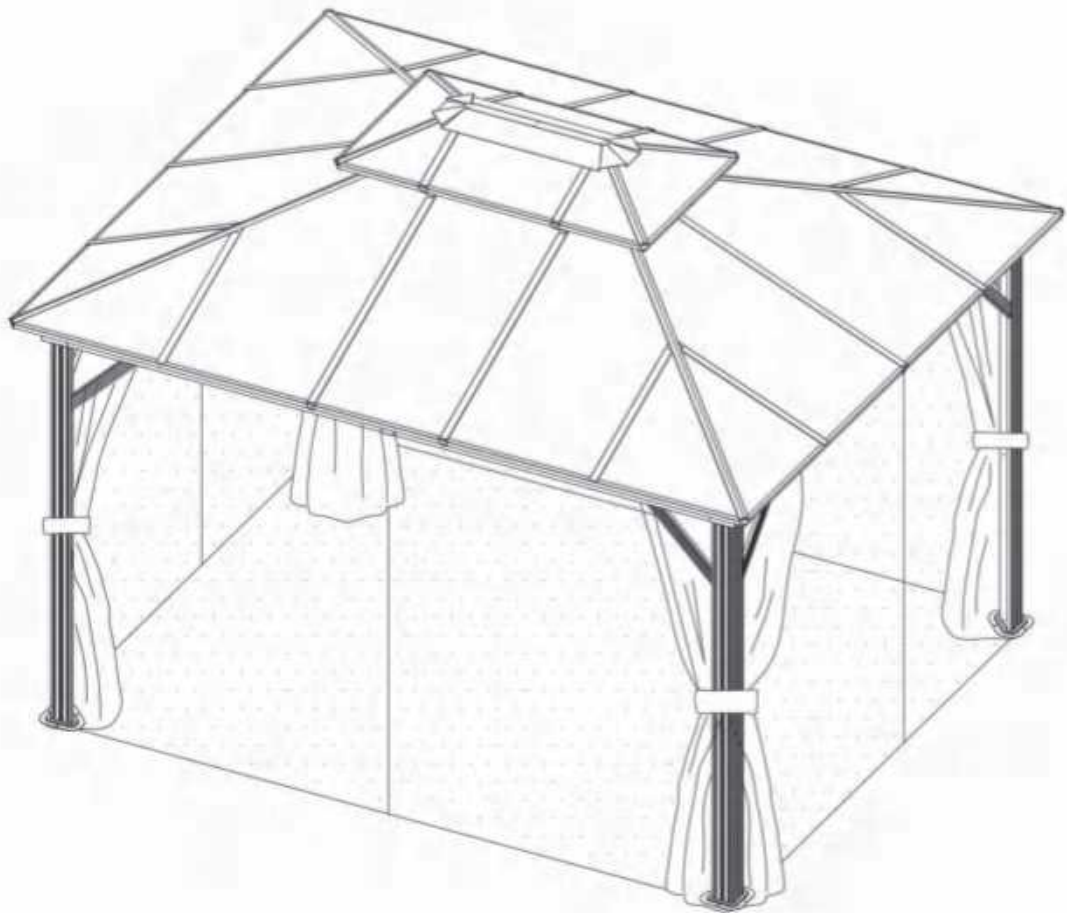




# 10'×12' HARDTOP ALUMINUM POLYCARBONATE GAZEBO

## **ASSEMBLY MANUAL**



MODEL#: LGFP1584

Missing part? Damaged? Contact us:

[service@domioutdoorliving.com](mailto:service@domioutdoorliving.com)

# Pre-assembly



1. Two or more people are required for assembly.



2. You will need one or more stepladders.



3. Wearing protective gloves is recommended.



4. You may need a safety hat.



5. Please use a Phillips screw driver.



6. For ease of construction, you may need a drill.



7. You may need a safety goggle.



8. Do not fully tighten screws prior to complete assembly.

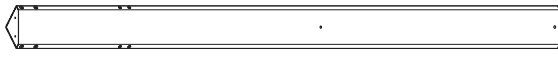
## Warning & Attention

-Try to assemble this product on the flat ground, otherwise it is difficult to carry out;

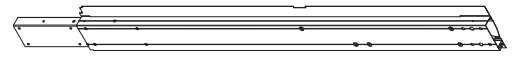
-It would be much easier to assemble the product with three or more people;

-After assembly, please check whether all screws are tightened, to prevent parts from falling apart.

▲ Use bolts to secure the frame to the ground to against the strong wind.



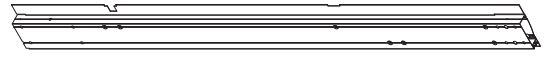
A 4x Pole



C 2x Beam



C1 2x Beam



D 2x Beam



D1 2x Beam



E 4x Corner Roof Bar



E1 4x Corner Roof Bar Connector



E2 2x Roof Bar



E3 4x Roof Bar



F 4x Corner Roof Solidifying Bar



F1 4x Corner Roof Solidifying Bar



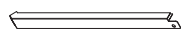
G 4x Finishing Bar



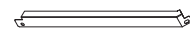
G1 4x Finishing Bar



G2 4x Finishing Bar



H 2x Finishing Bar



H1 2x Finishing Bar

F



(H2) 2x Finishing Bar

F



(J) 4x Finishing Bar

F



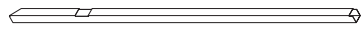
(J1) 4x Finishing Bar

F



(J2) 2x Finishing Bar

□



(K) 4x Solidfying Bar

□

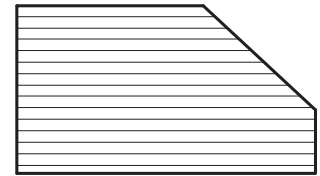


(K1) 4x Solidfying Bar

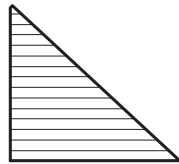
□



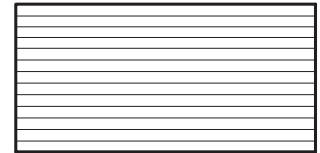
(K2) 2x Solidfying Bar



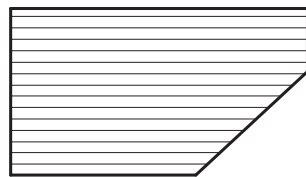
(L) 4x Roof Panel



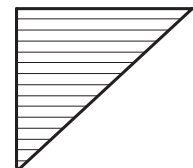
(L1) 4x Roof Panel



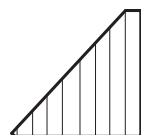
(M) 2x Roof Panel



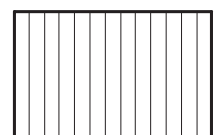
(N) 4x Roof Panel



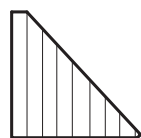
(N1) 4x Roof Panel



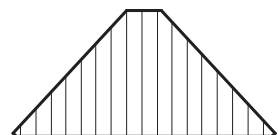
(P) 2x Roof Panel



(P1) 2x Roof Panel



(P2) 2x Roof Panel



(P3) 2x Roof Panel



**Q** 4x Finishing Bar



**Q1** 2x Finishing Bar



**B** 4x Base



**B1** 8x Joint Cover



**B2** 8x Joint Cover



**C2** 2x Union Bar



**R** 4x Corner Solidifying Bar



**R1** 4x Corner Solidifying Bar



**S** 1x Inside Roof Connector



**S1** 1x Outside Roof Connector



**T** 3x J-Hook




**U** 4x Bracket



**U1** 6x Bracket



**U2** 8x Bracket



**V** 104x Hook



**W** 4x Bracket



**W1** 4x Bracket



**W2** 4x Bracket



**W3** 6x Joint Cover



**X** 4x Joint Cover



**X1** 4x Corner Cover



**X2** 8x Spacer



**Y** 16x Finishing End



**Y1** 12x Finishing End



**Z** 4x Solid Sidewall



**Z1** 4x Mosquito Sidewall



**Z2** 1x Mesh



**1** 1x  
S6  
S4



**2** 8x  
ST4.2x12



**3** 16x  
ST5x16



M6x15

4 16x



M6x15

5 16x



M5x12

6 40x



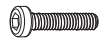
M6x12

7 12x



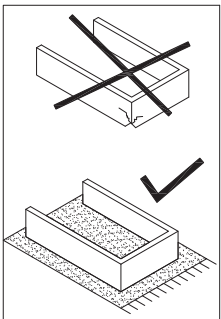
M6x16

8 234x

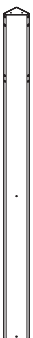

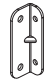
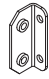

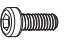
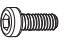
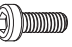


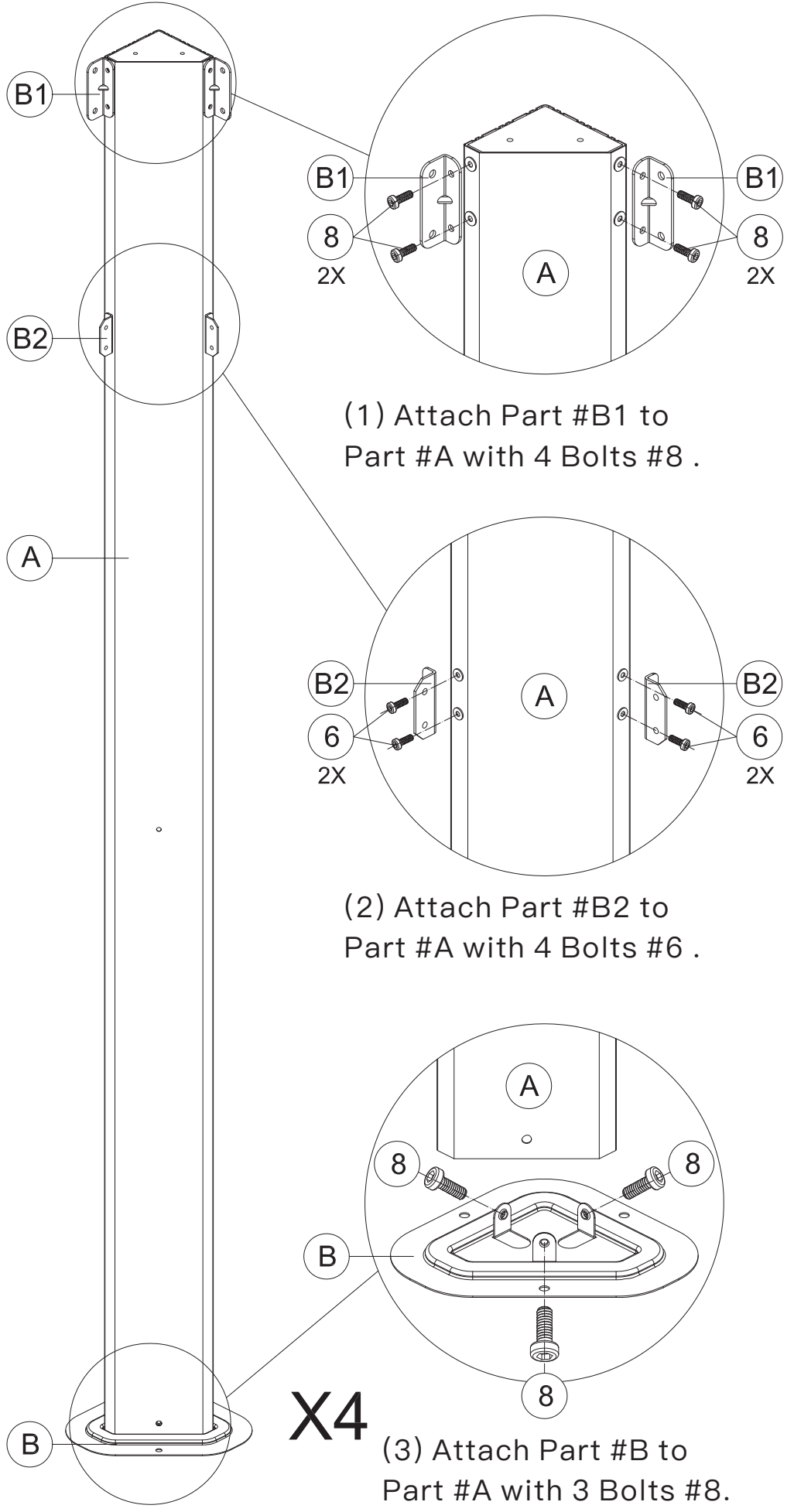
M5x32

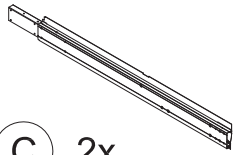
9 8x



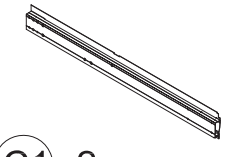
4

	<b>A</b> 4x
	<b>B</b> 4x
	<b>B1</b> 8x
	<b>B2</b> 8x
	<b>S4</b>
	<b>1</b> 1x
	<b>6</b> 16x M5x12
	<b>8</b> 28x M6x16
	<b>5</b>

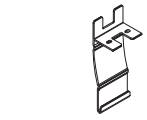




C 2x



C1 2x



X 2x



S4

1 1x



ST5x16

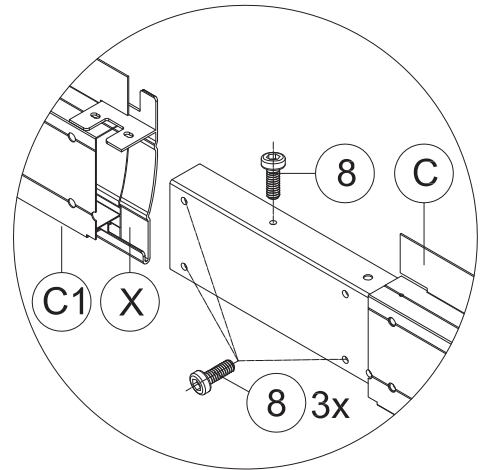
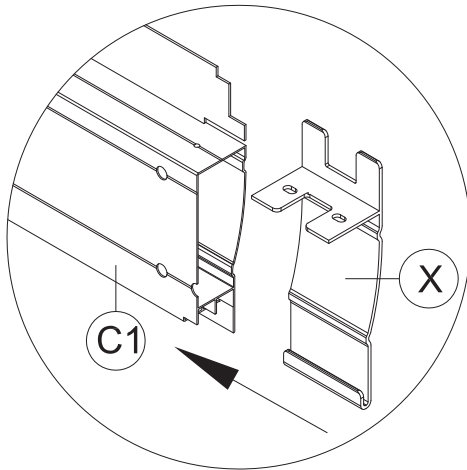
3 4x



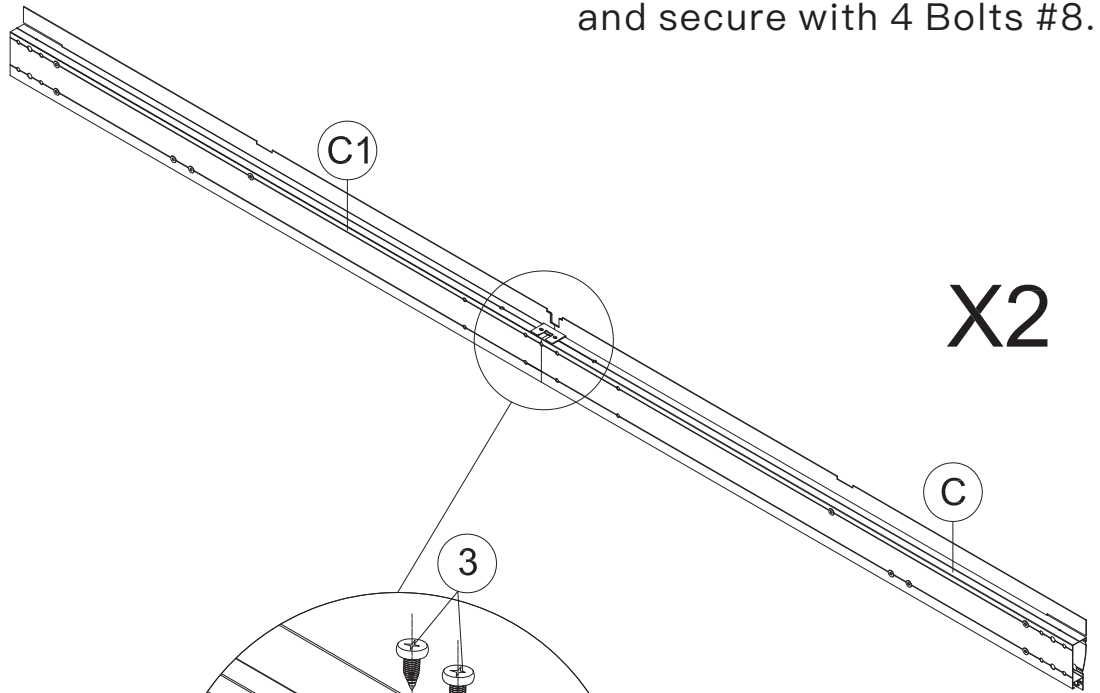
M6x16

8 8x

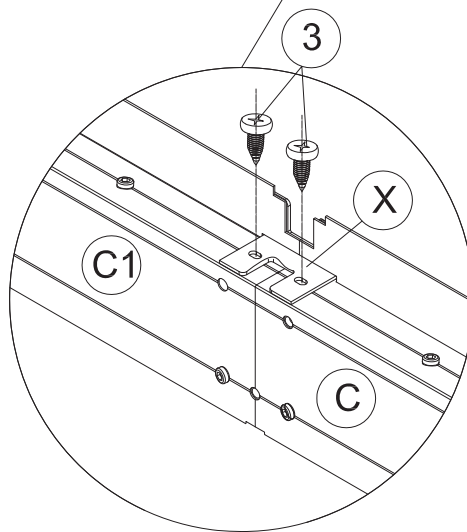
(1) Insert Part #X into Part #C1.



(2) Insert Part #C into Part #C1 and secure with 4 Bolts #8.



X2



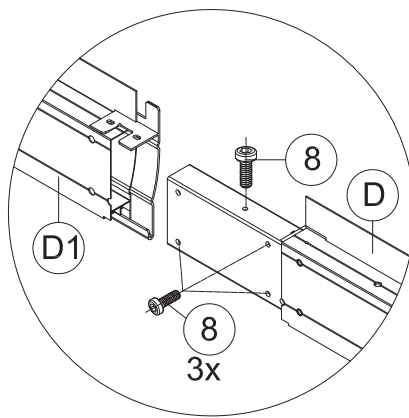
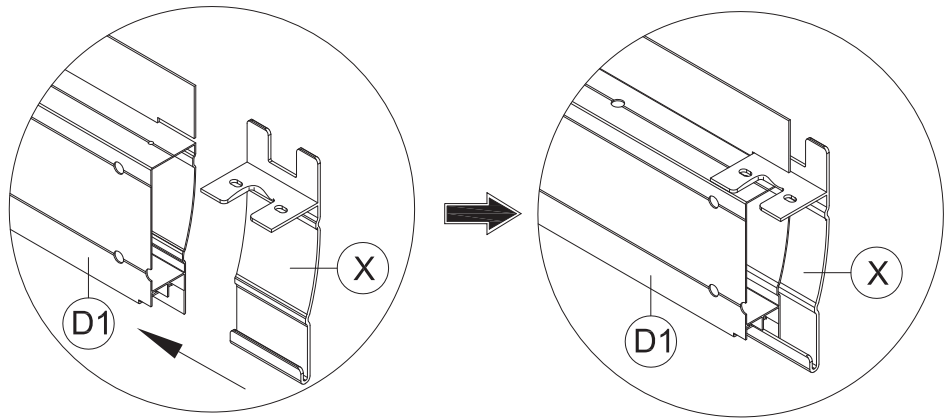
(3) Secure Part #X with 2 Bolts #3.

(4) Repeat the above procedures to assemble the other Part #C and Part #C1.

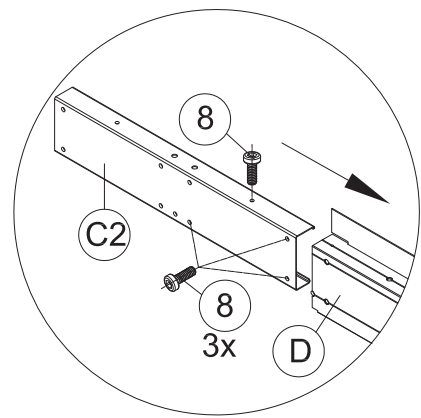
6



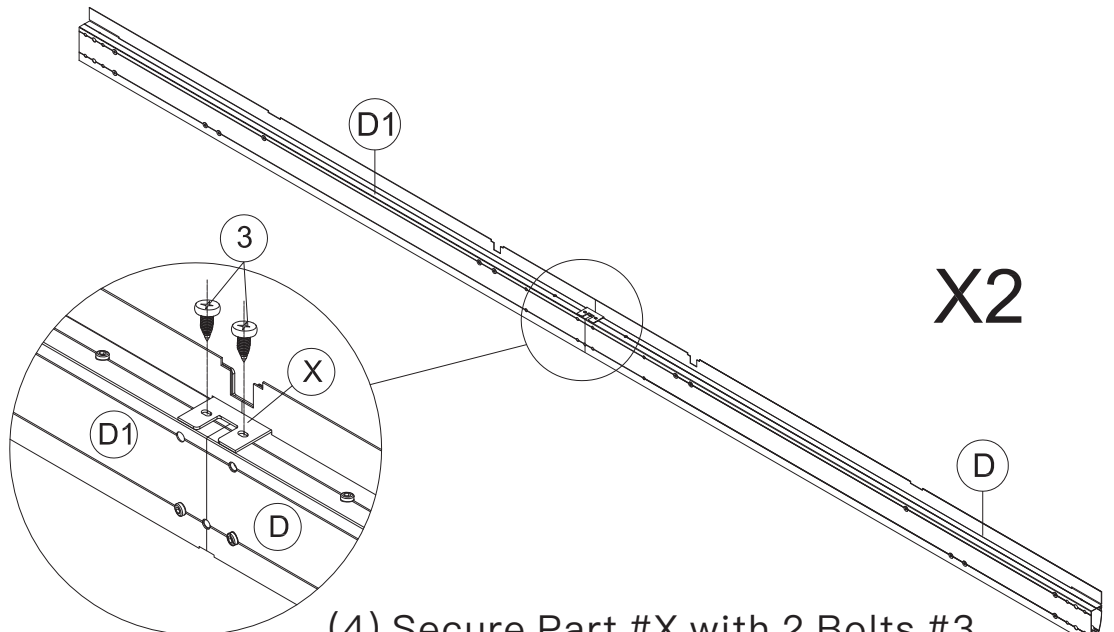
(1) Insert Part #X into Part #D1.



(3) Insert the other side of Part #C2 into Part #D1 and secure with 4 Bolts #8.

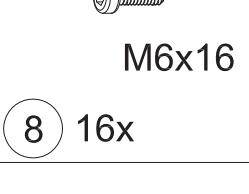
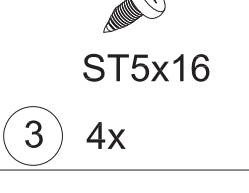
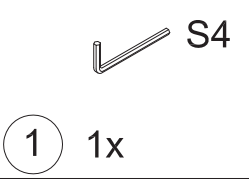
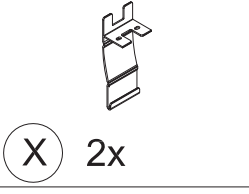
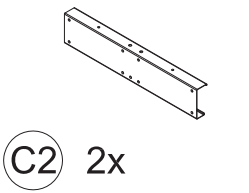
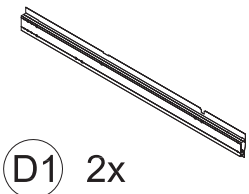
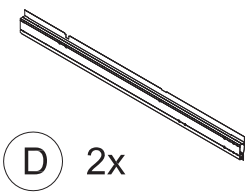


(2) Insert one side of Part #C2 into Part #D and secure with 4 Bolts #8.



(4) Secure Part #X with 2 Bolts #3.

(5) Repeat the above procedures to assemble the other Part #D and Part #D1.





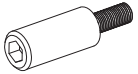
S6

1 1x



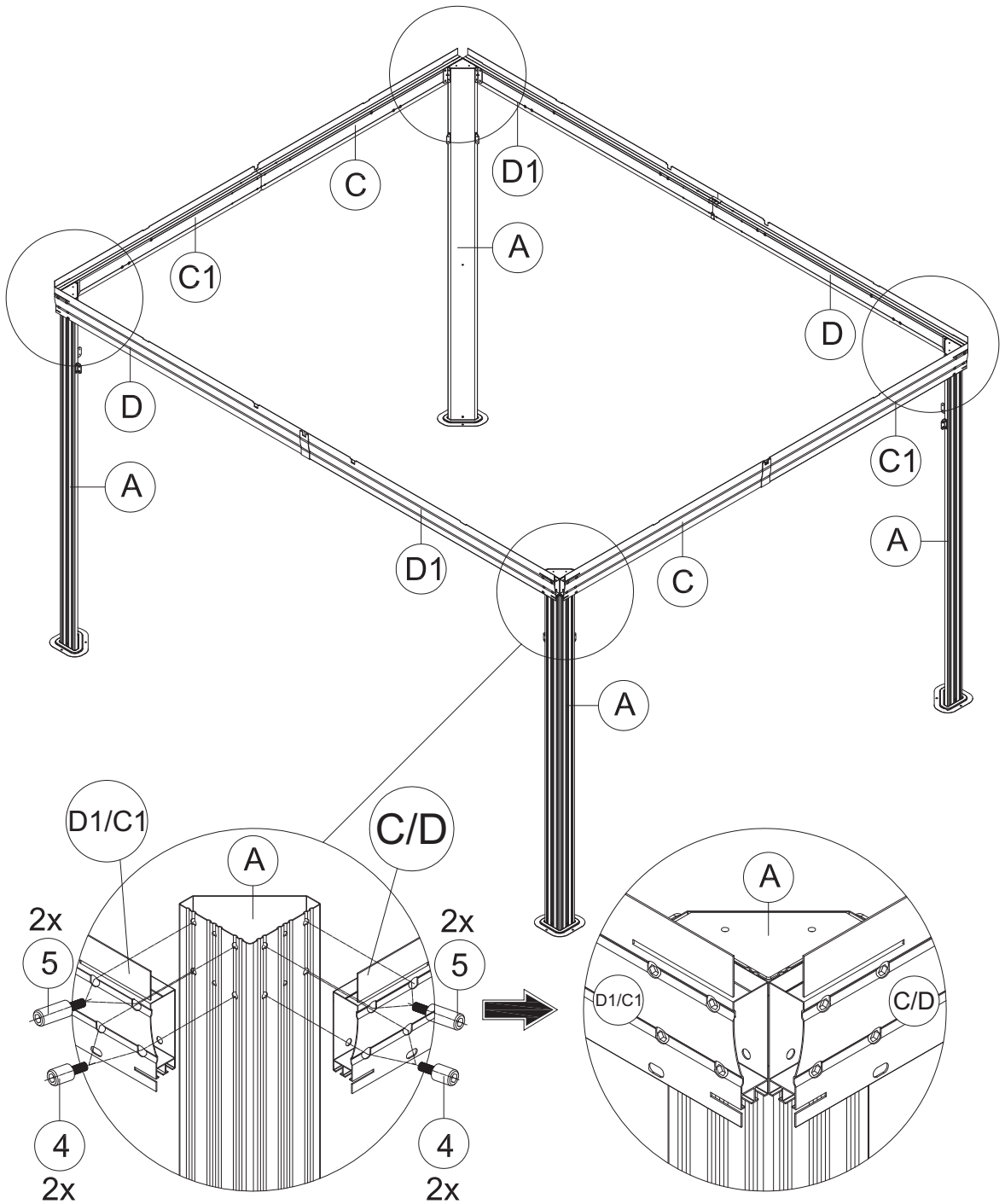
M6x15

4 16x



M6x15

5 16x



(1) Connect Part #C/C1 and #D1/D to Part #A with 4 Bolts #4 and 4 Bolts #5 (From Outside).

(2) Repeat the above procedures to assemble the other three sides.

✓ S4

1 1x

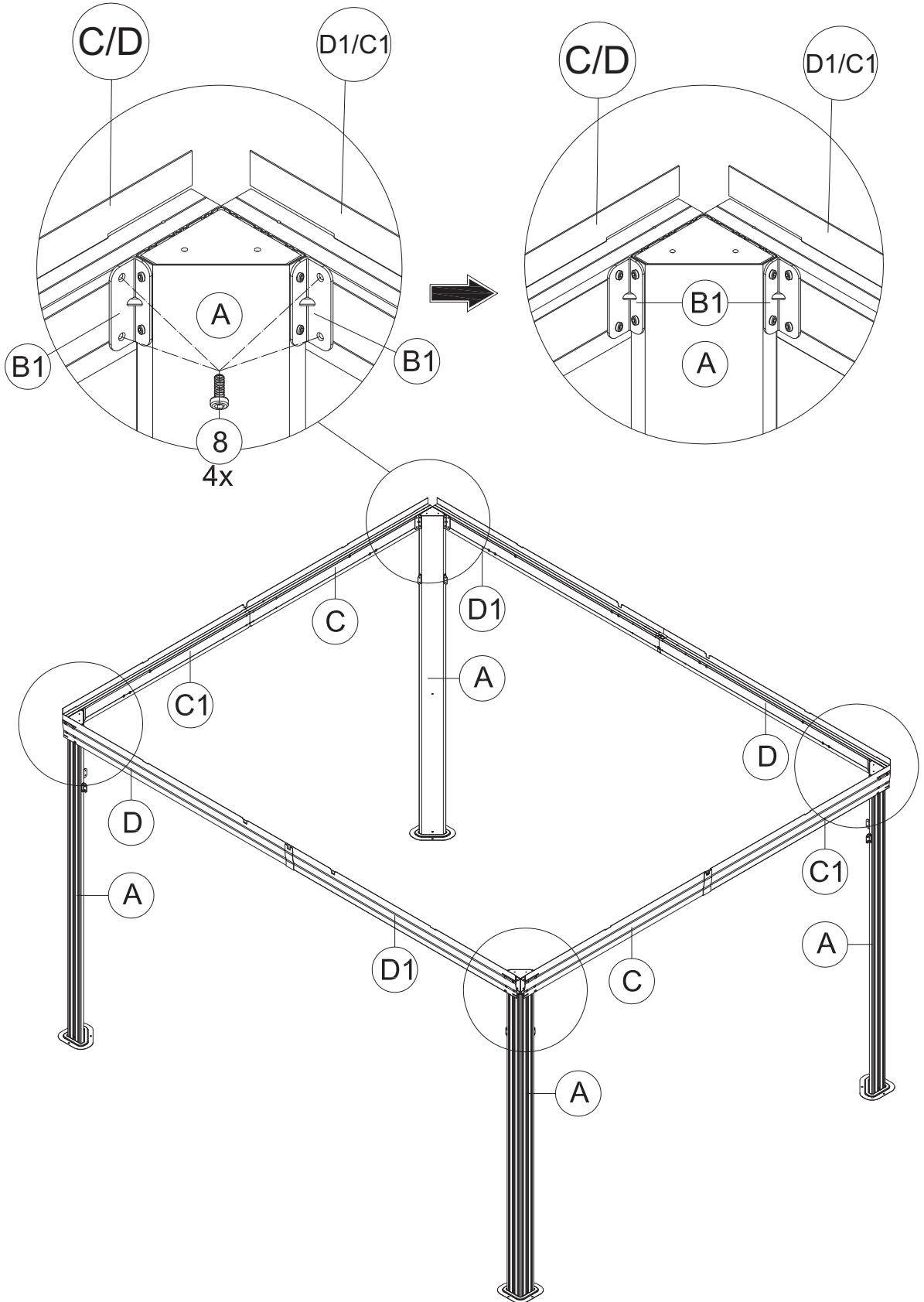


M6x16

8 16x

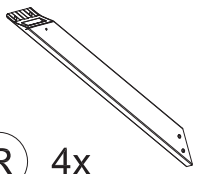
(1) Connect Part #C/C1 and #D1/D to Part #A with 4 Bolts #8. (From Inside)

(2) Repeat the above procedures to assemble the other three sides.

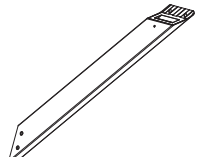


9

▲ Please don't tighten all the bolts.



R 4x



R1 4x



1 1x



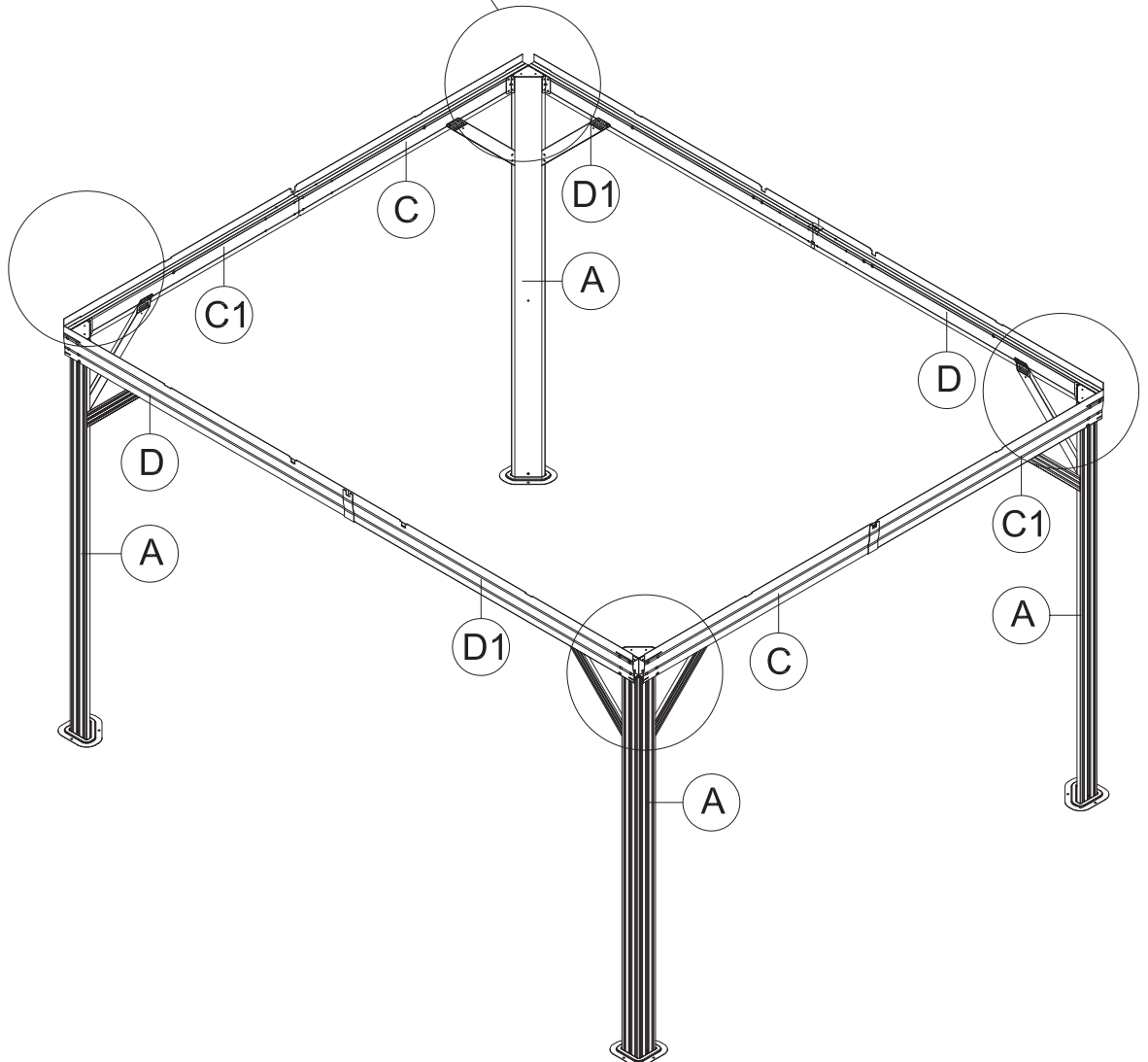
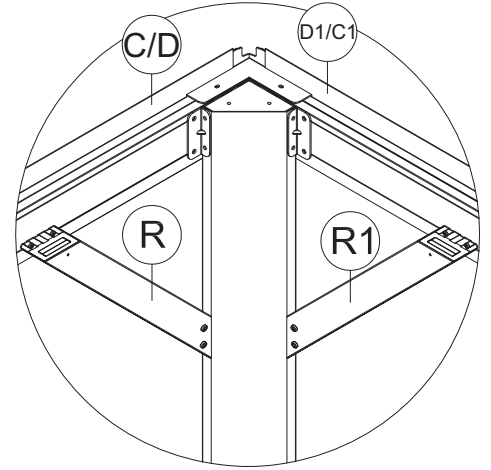
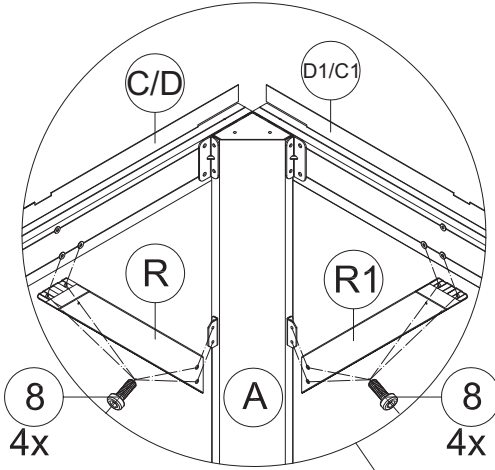
M6x16

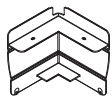
8 32x

(1) Affix Part #R and #R1 to the frame with 8 Bolts #8.

(2) Repeat the above procedures to assemble the other three sides.

▲ Please don't tighten all the bolts.





X1 4x



X2 8x



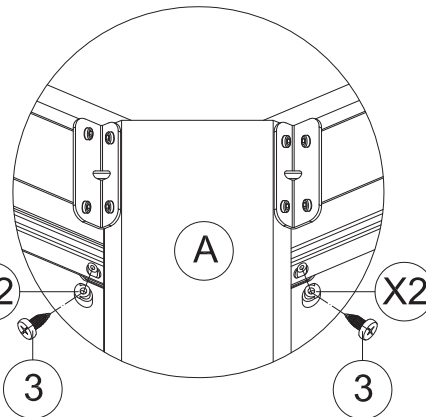
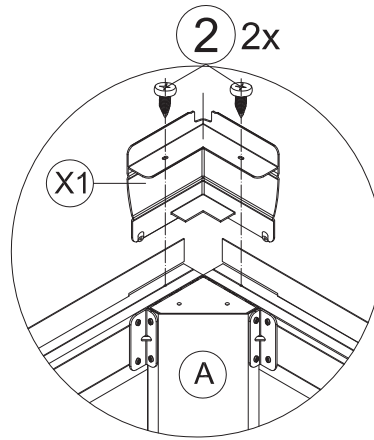
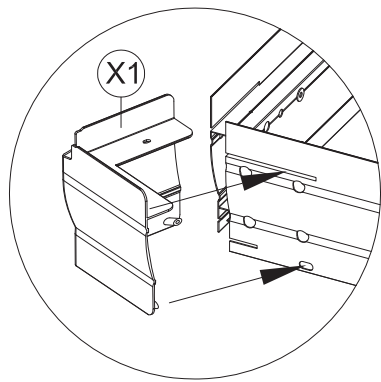
ST4.2x12

2 8x



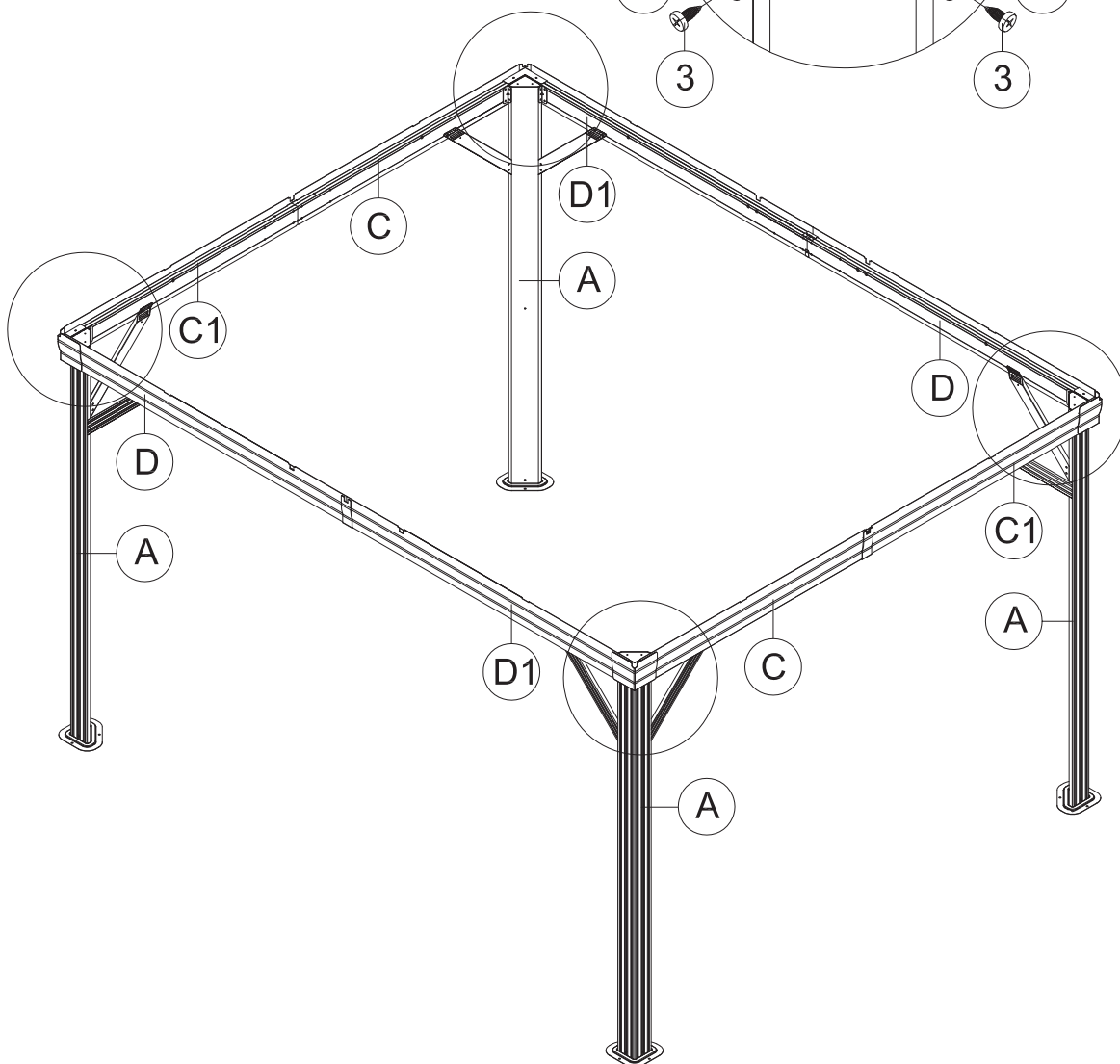
ST5x16

3 8x



(1) Cover the corner with Part #X1 and secure with 2 Bolts #2.

(2) Put Part #X2 on the protruding place and secure with 2 Bolts #3.

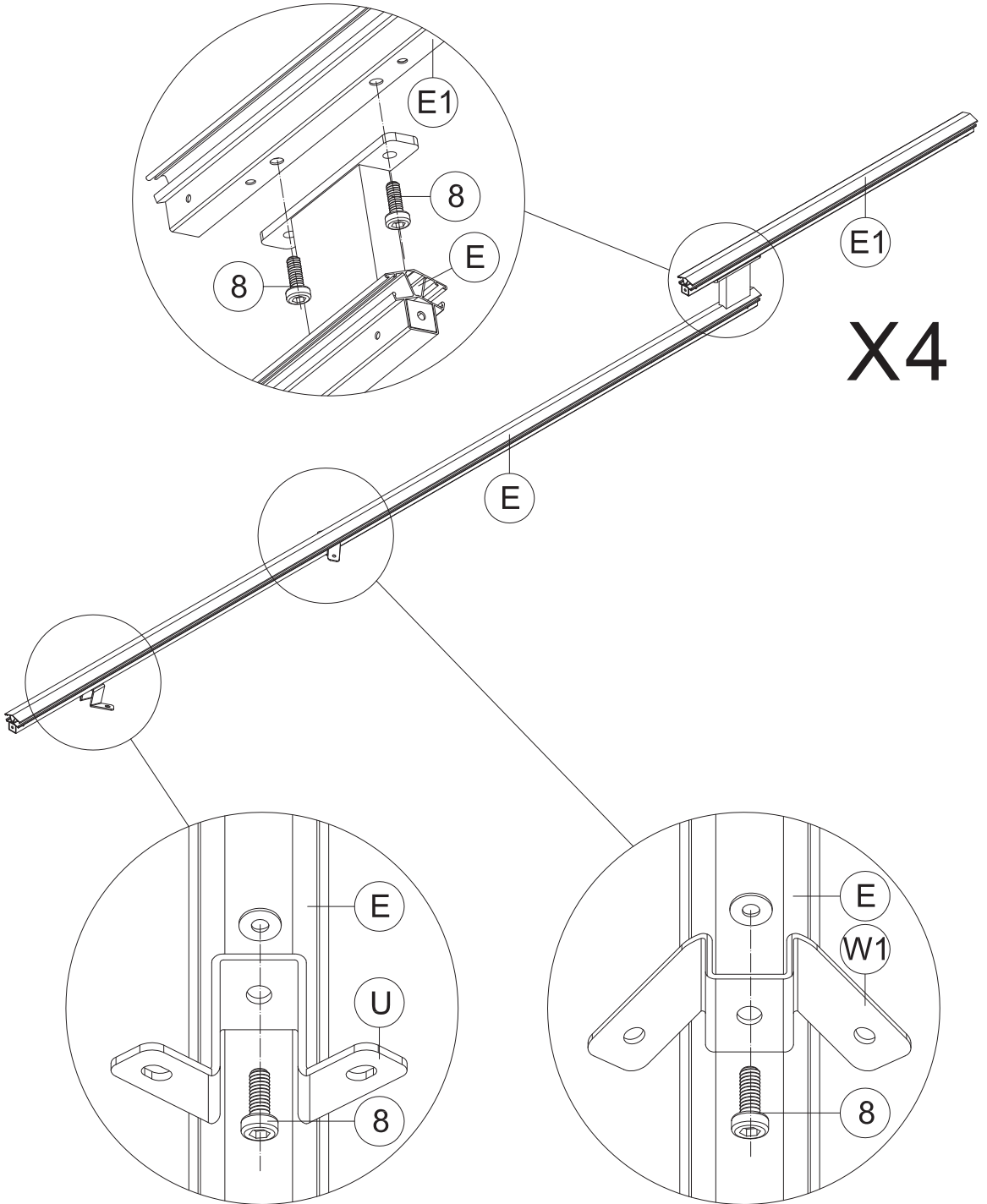
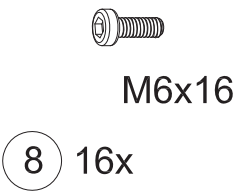
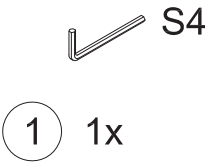
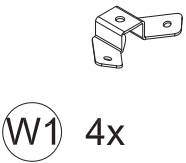
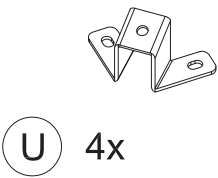
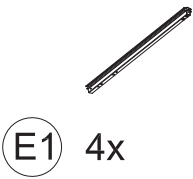
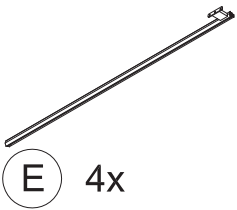


(3) Repeat the above procedures to assemble the other three sides.

▲ Tighten all the bolts.

## Assemble the 4 Corner Roof Bars:

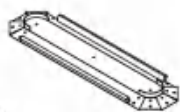
(1) Connect Part #E1 and Part #E with 2 Bolts #8.



(2) Attach Part #U to Part #E with Bolt #8.

(3) Attach Part #W1 to Part #E with Bolt #8.

(4) Repeat the above procedures to assemble the other three pieces.

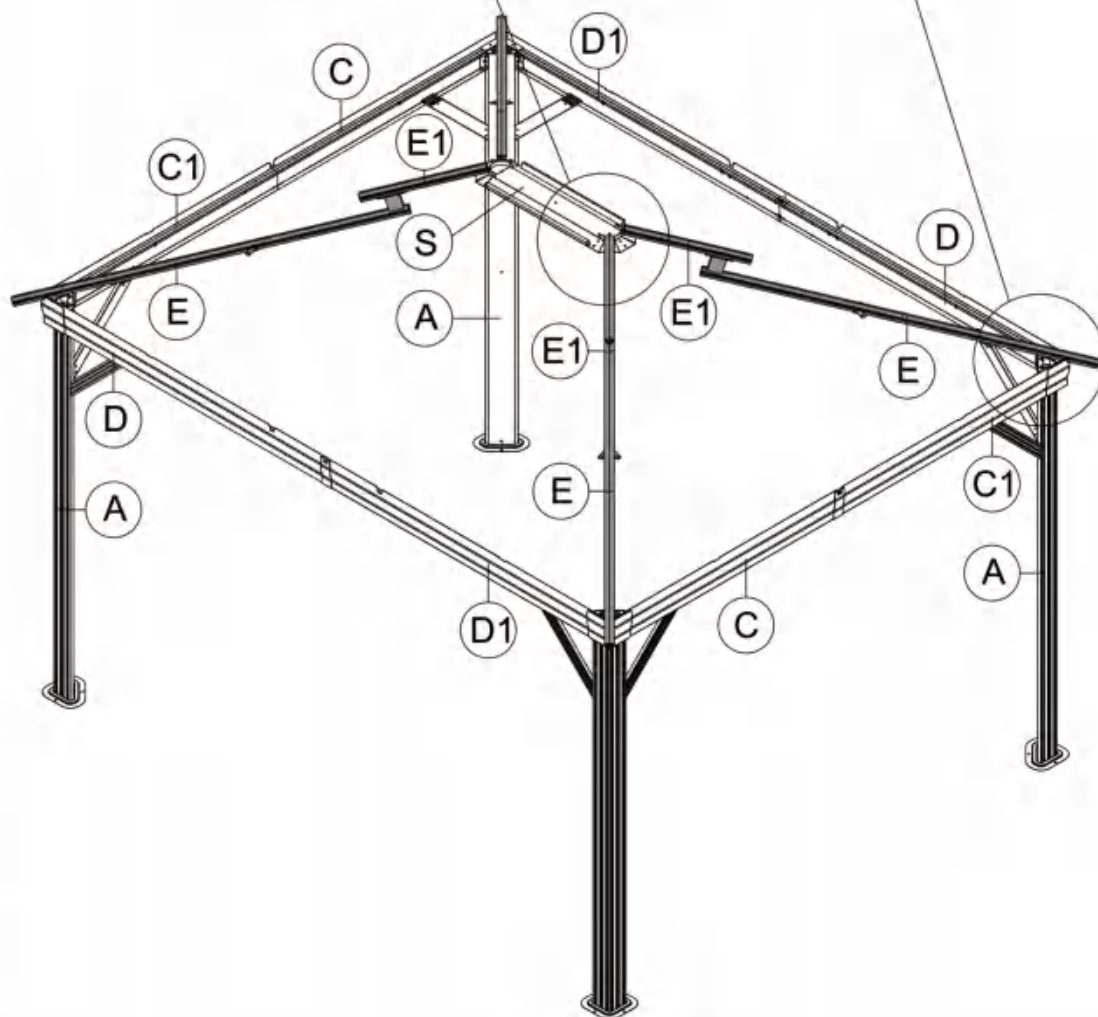
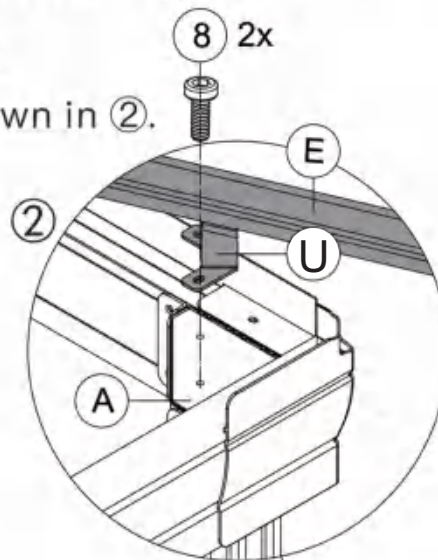
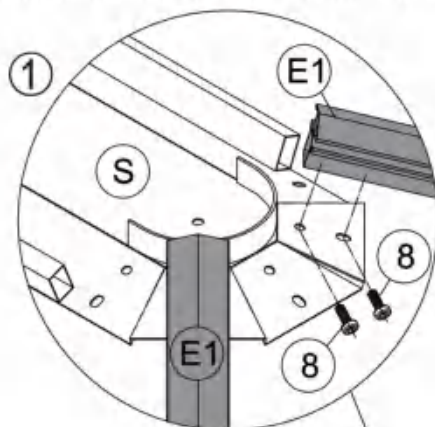


(1) Please have a freestanding ladder ready at the center of the gazebo.

(2) Place 4 Part #E1 on the corner of part #S; secure with 8 Bolts #8 as shown in ① (from bottom to top).

**ATTENTION:** You can also finish this step on the ground and then lift 4 Corner Roof Bar and Inside Roof Connector to the top. (Need 2 people and 2 ladders)

(3) Place 4 Part #E on 4 Part #A; secure with 8 Bolts #8 as shown in ②.



S 1x



1 1x



M6x16

8 16x

(1) Place Part #E2 on part #S;  
secure with 2 Bolts #8( from bottom to top).

E2 2x

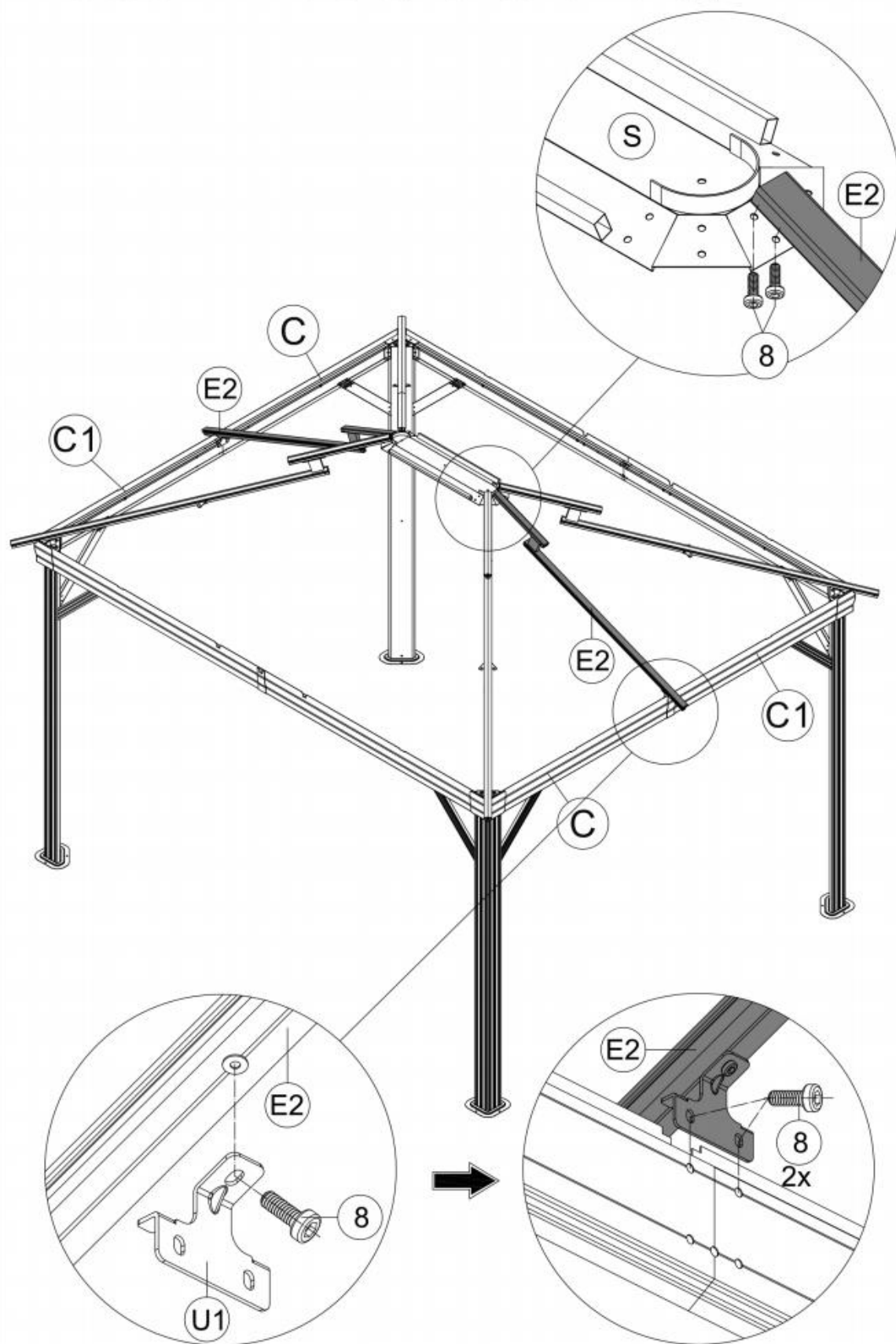
U1 2x

1 1x

8 10x

S4

M6x16



(2) Connect Part #E2 and the Assembled Beam (C&C1)  
with part #U1. Secure with 3 Bolts #8.

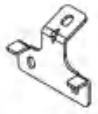
(3) Repeat the above procedures to assemble another side.



(1) Place 2 Part #E3 on Part #S; secure with 4 Bolts #8 (from bottom to top).



E3 4x



U1 4x

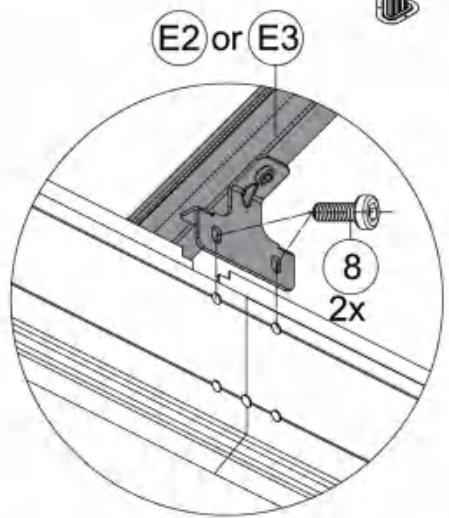
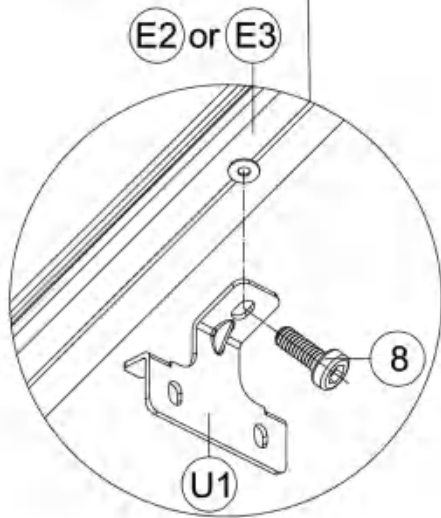
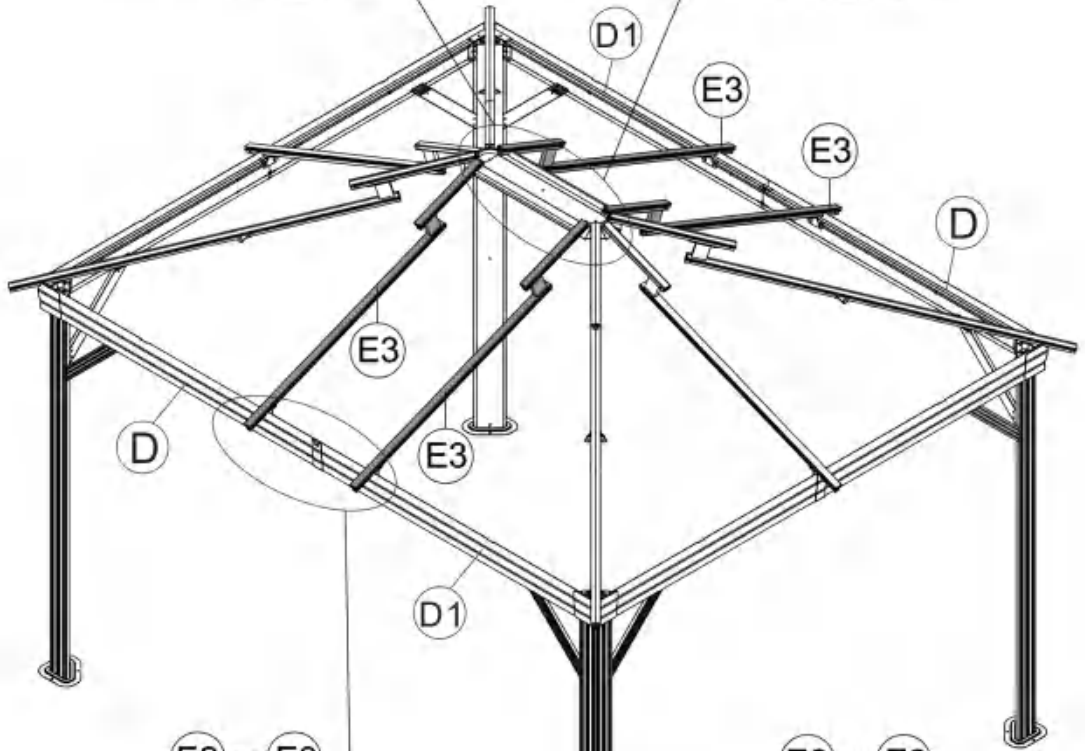
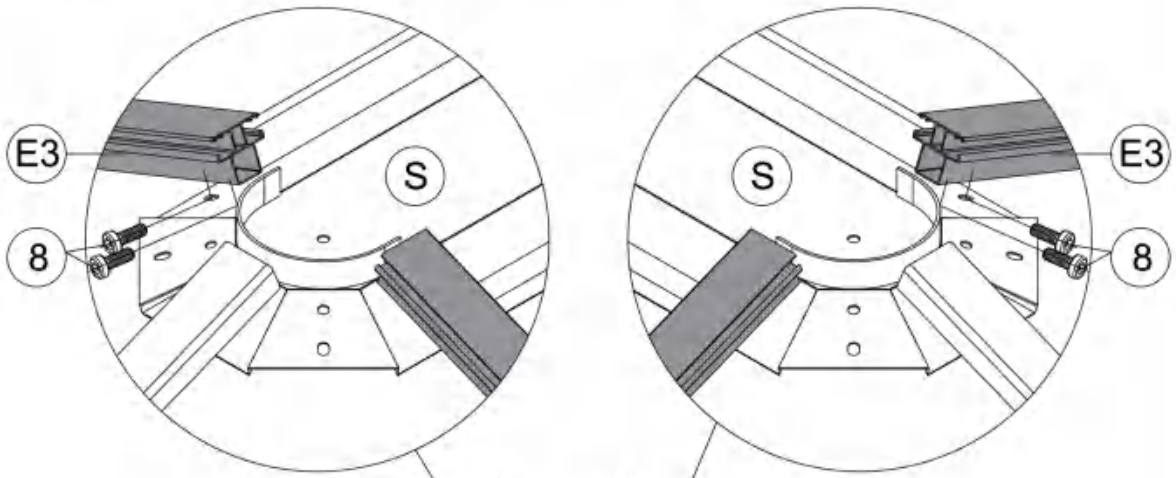


1 1x



M6x16

8 20x



(2) Connect 2 Part #E3 and the Assembled Beam (D&D1) with part #U1; secure with 6 Bolts #8.

(3) Repeat the above procedures to assemble another side.



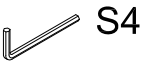
F 4x



F1 4x



U2 8x

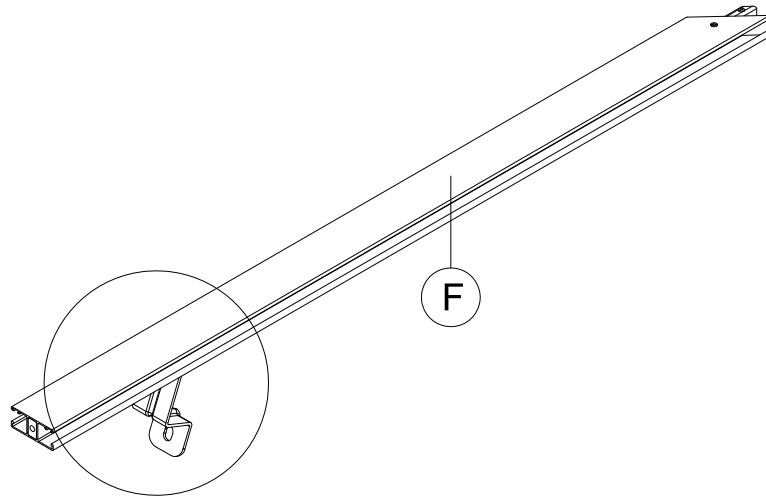


1 1x

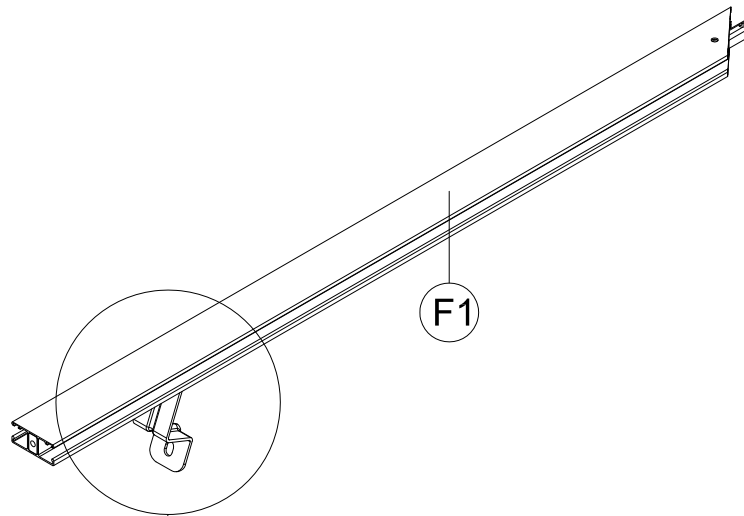


M5x12

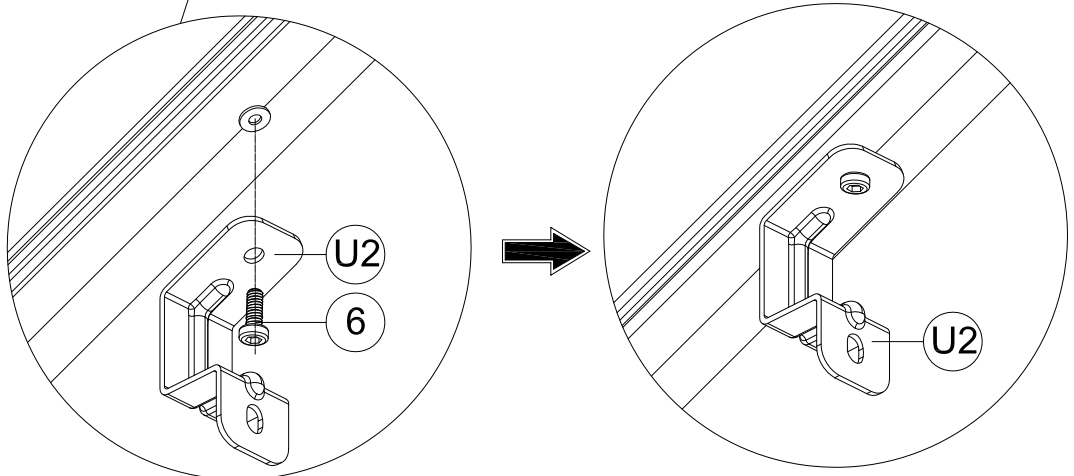
6 8x



X4



X4



(1) Attach Part #U2 to Part #F/F1 with Bolt #6.

(2) Repeat the above procedures to assemble the other 3 pieces.

✓ S4

(1) Insert Part #F and Part #F1 into Part #E;  
secure Part #F/F1 with Part #U and 2 Bolts #6.

1 1x



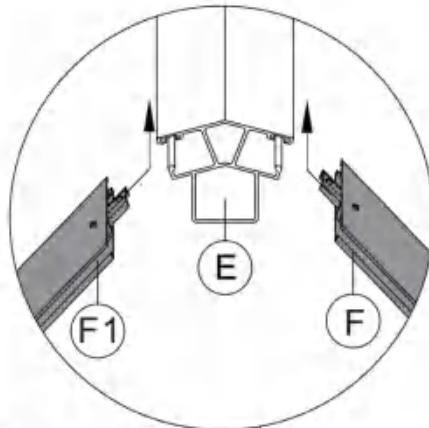
M5x12

6 8x

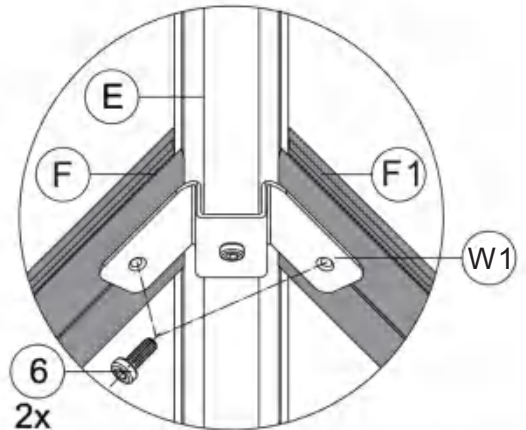


M6x16

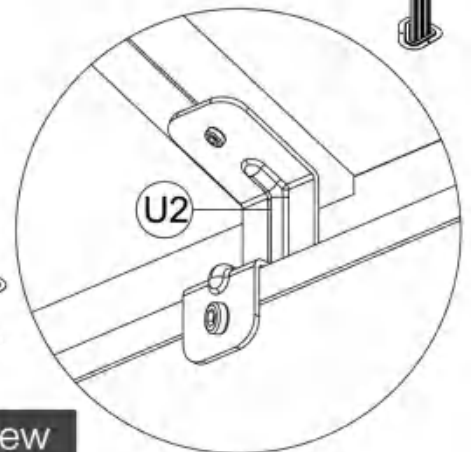
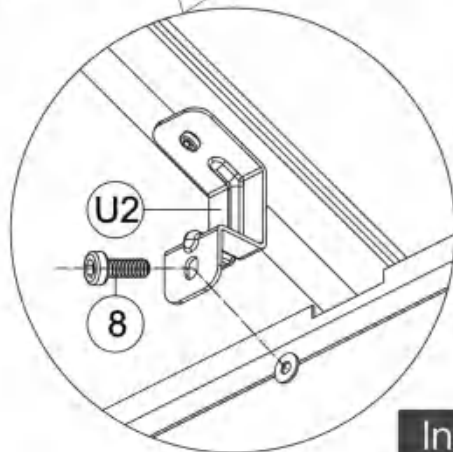
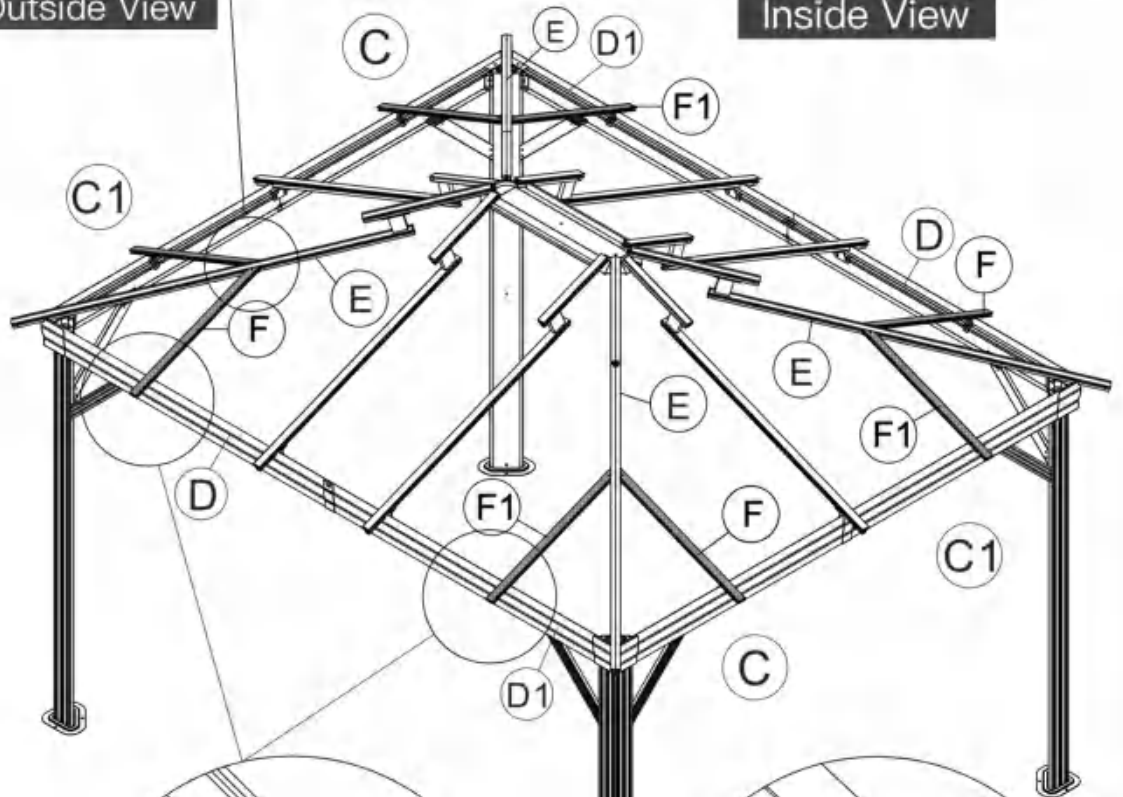
8 8x



Outside View



Inside View

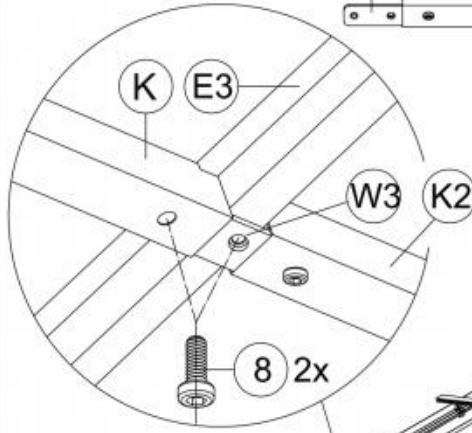
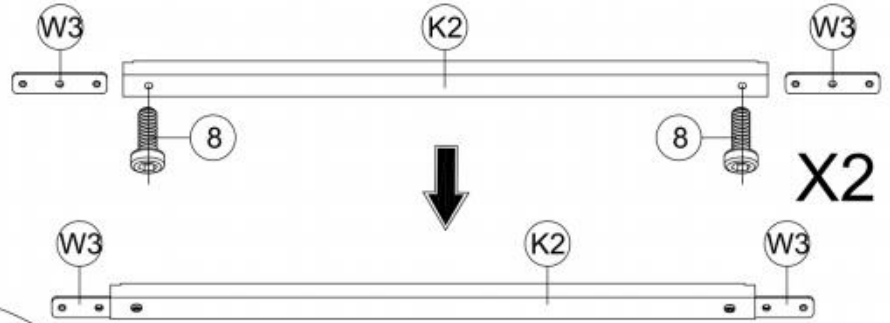


Inside View

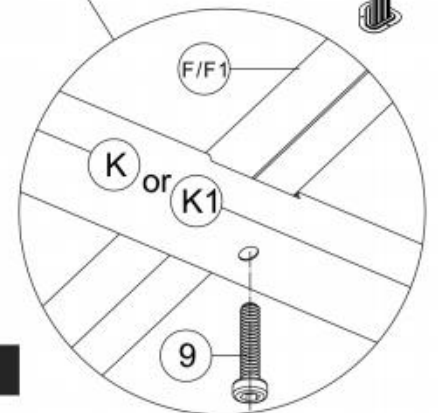
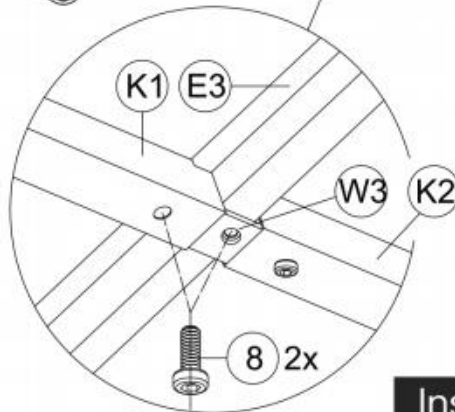
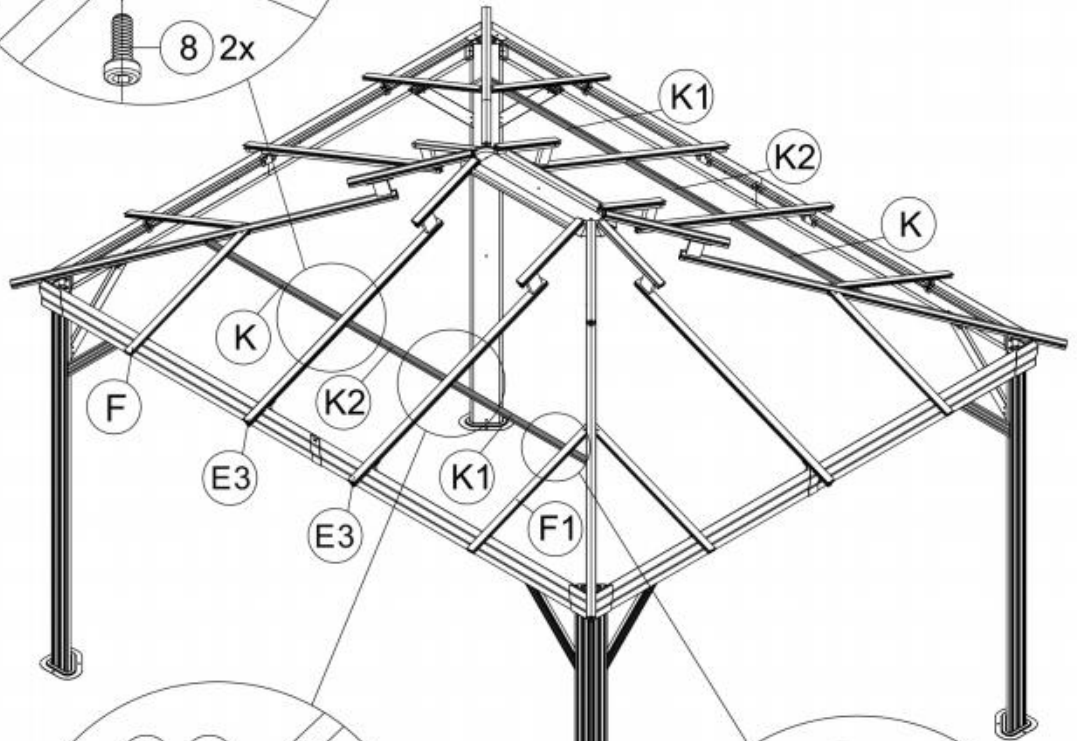
(2) Connect Part #F/F1 and the Assembled Beam  
with part #U2; secure with Bolt #8.

(3) Repeat the above procedures to assemble  
the other three sides.

(1) Insert Part #W3 to Part #K2 and secure with 2 Bolts #8.



(2) Attach Part #K and Part #K2 with Part #W3 and 2 Bolts #8.



Inside View

(3) Attach Part #K1 and Part #K2 (4) Connect Part #K/K1 and Part #F/F1 with Bolts #9.

(5) Repeat the above procedures to assemble another side.

K 2x

K1 2x

K2 2x

W3 4x

1 1x

8 12x

9 4x



(K) 2x



(K1) 2x



(W3) 2x



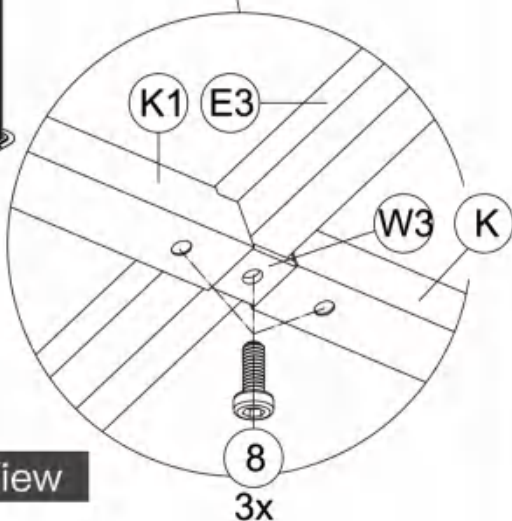
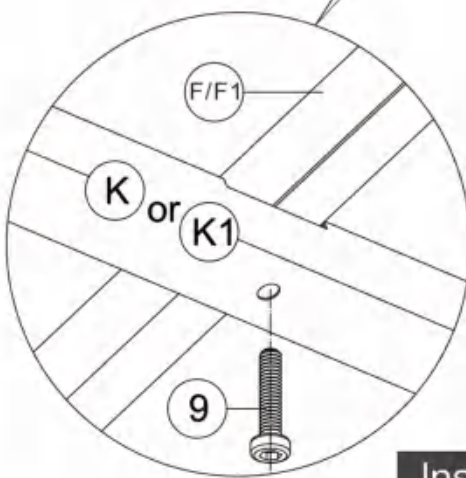
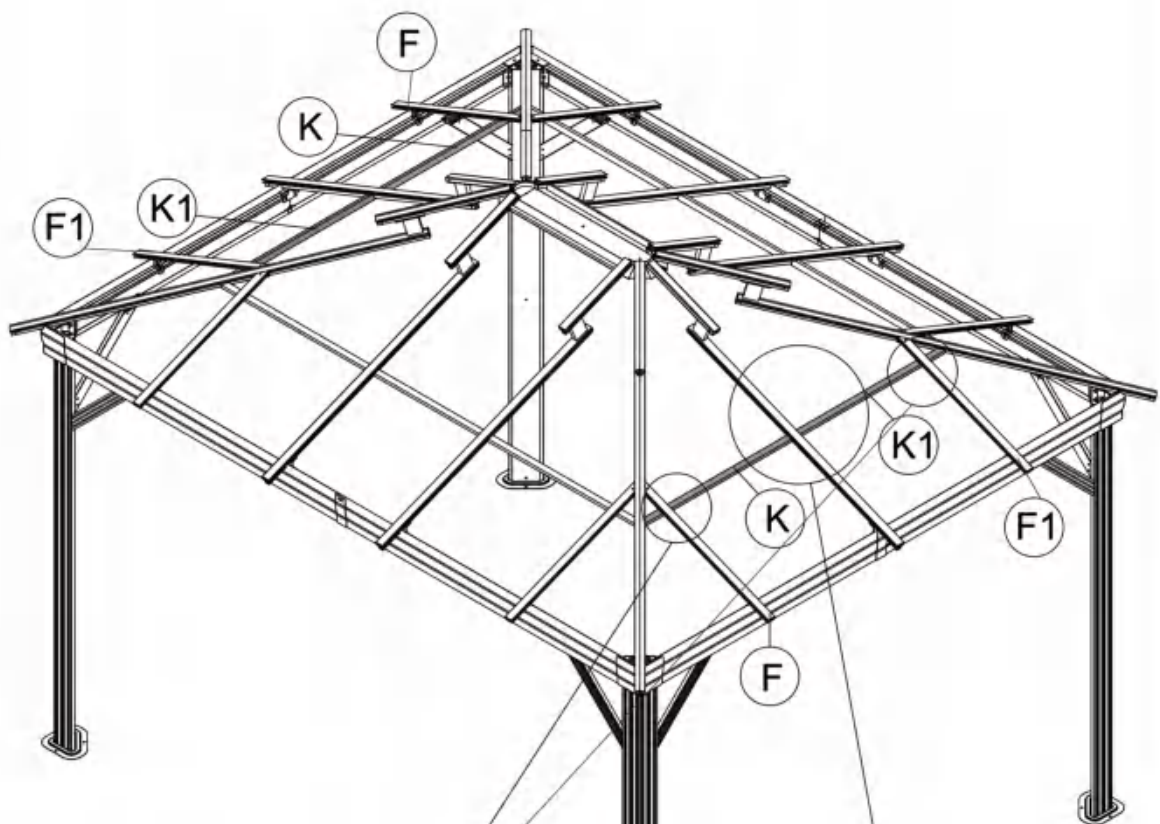
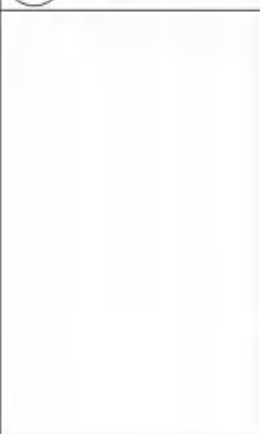
(1) 1x



(8) 6x



(9) 4x



Inside View

(2) Connect Part #K/K1 and (1) Attach Part #K and Part #K1 Part #F/F1 with Bolt #9. with Part #W3 and 3 Bolts #8.

(3) Repeat the above procedures to assemble another side.



W2 4x



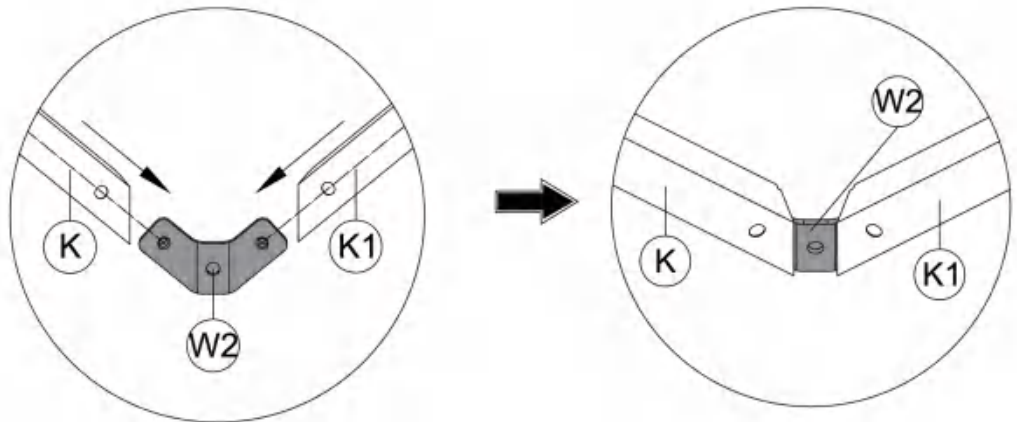
1 1x



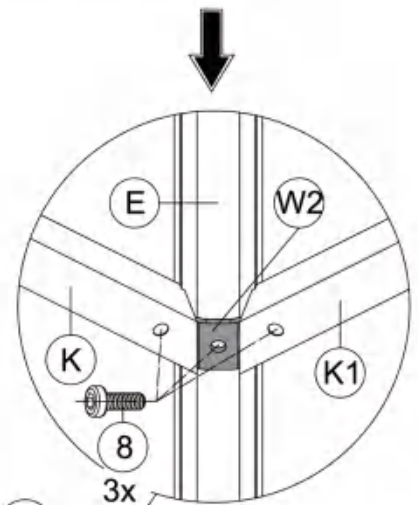
M6x16

8 12x

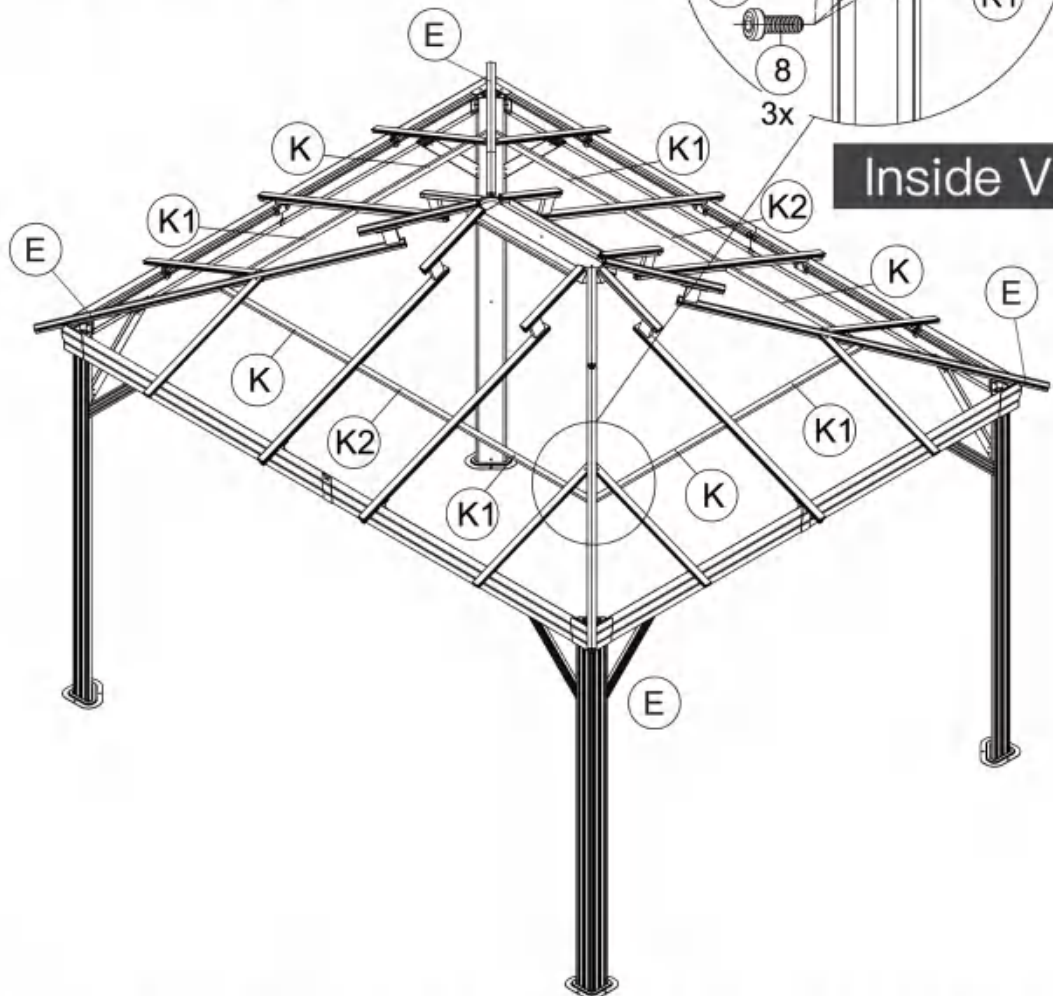
(1) Insert Part #W2 into Part #K1 and Part #K.



(2) Secure them to Part #E with 3 Bolts #8.

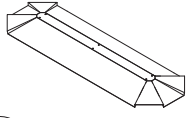


Inside View



20

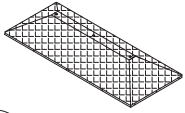
(3) Repeat the above procedures to assemble the other three sides.



S1 1x

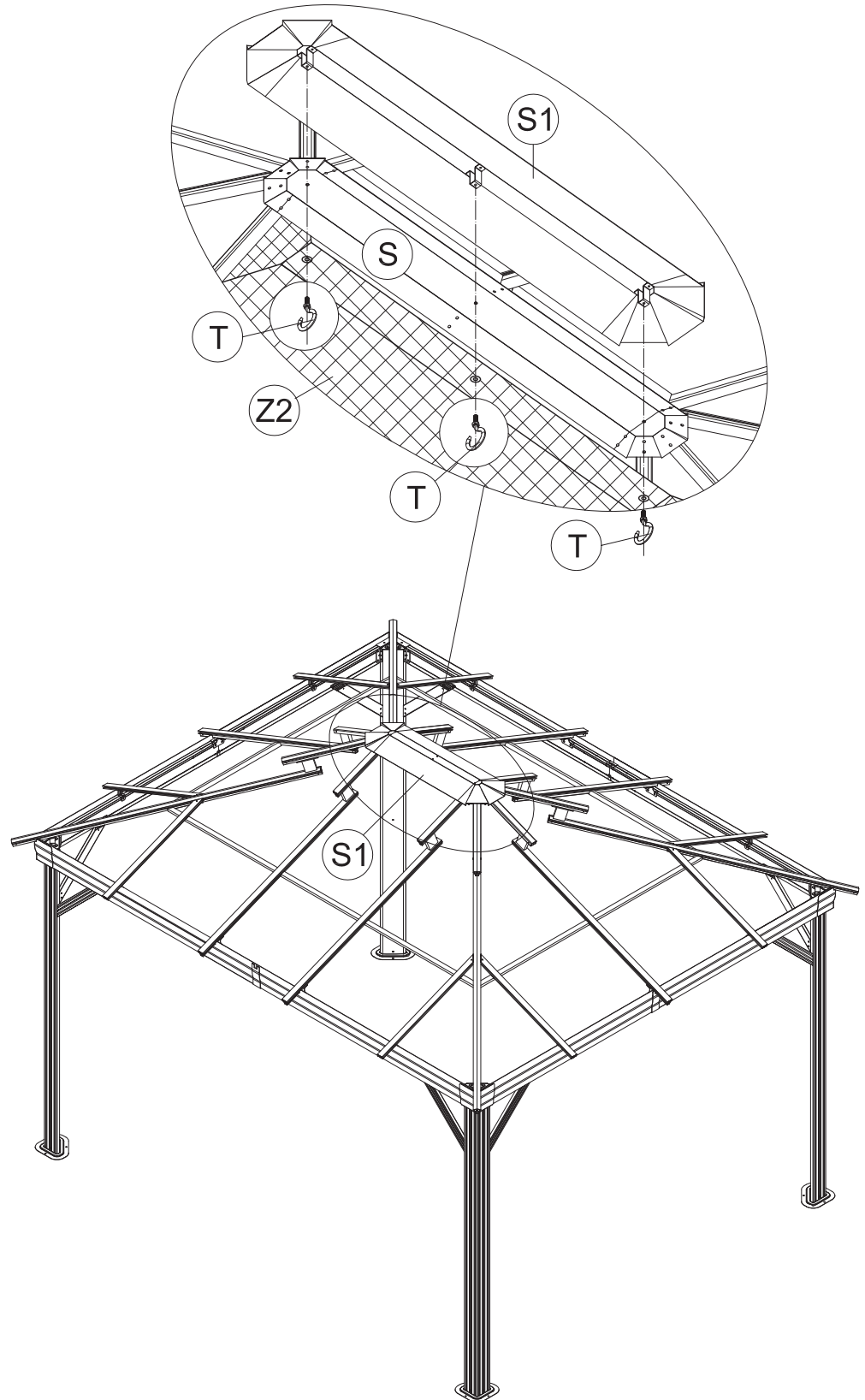


T 3x



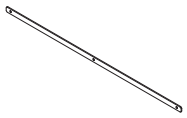
Z2 1x

Secure Part #T to Part #Z2, Part #S and Part #S1.  
**ATTENTION:** The holes of Part #Z2, Part #S and Part #S1 need to be aligned, on the same vertical line.



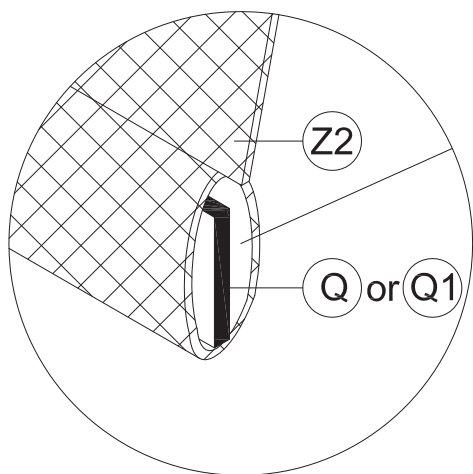
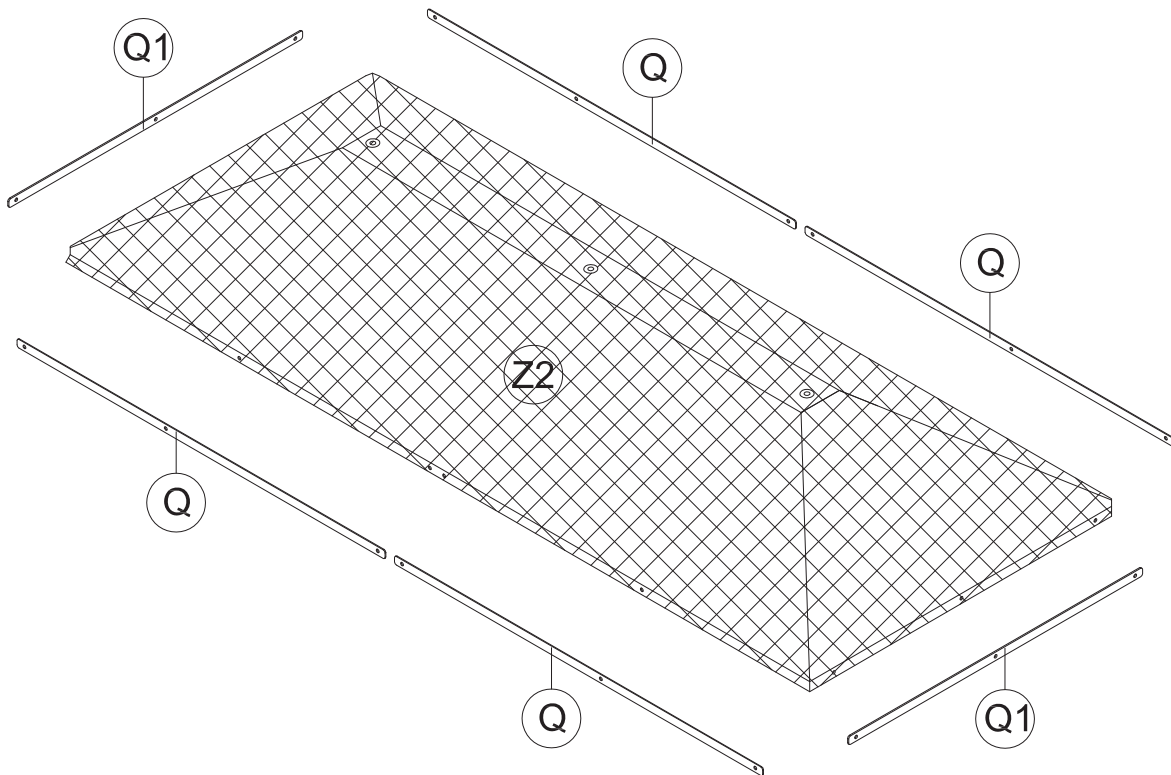


Q 4x



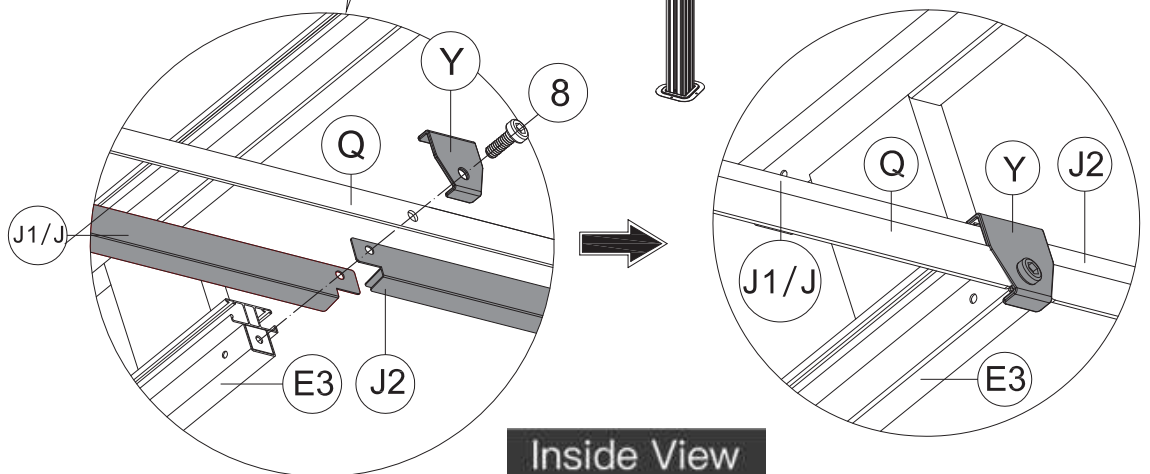
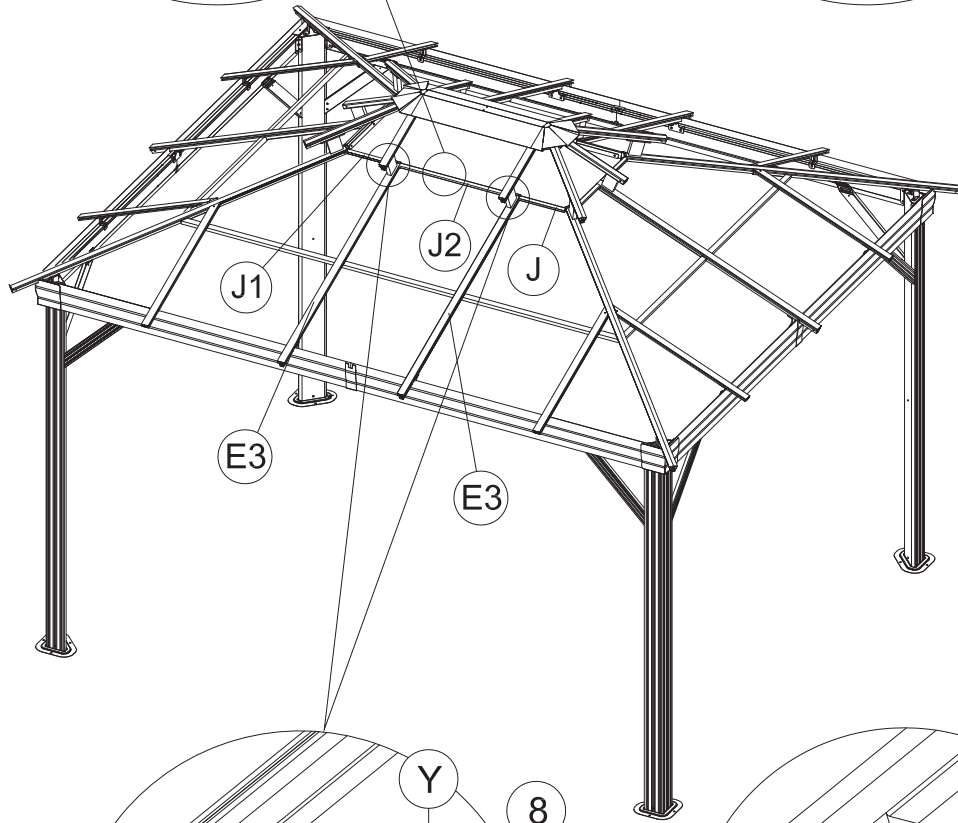
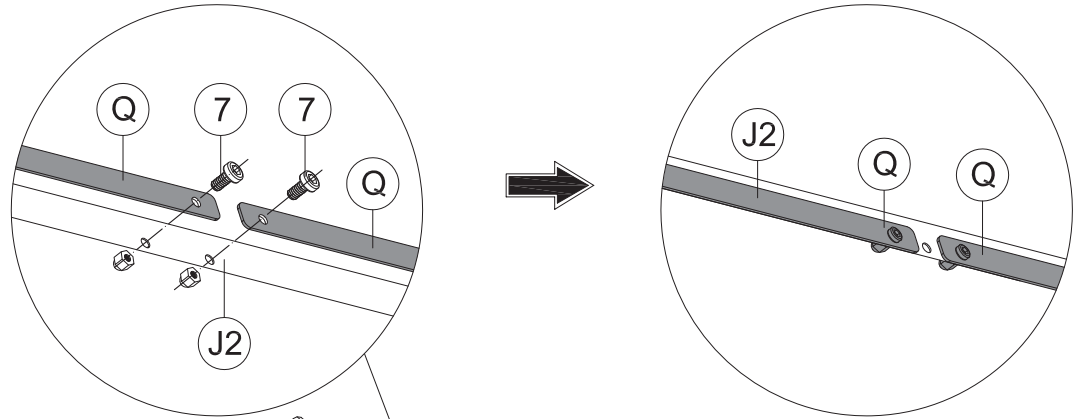
Q1 2x

Insert Part #Q/Q1 into the hole that  
around the edge of Part #Z2.





(1) Fix Part #Q and Part #J2 with 2 Bolts and Nuts #7.



Inside View

(2) Place Part #J/J1, Part #J2 and Part #Q into order on Part #E3; put on Part #Y and secure with Bolt #8.

**ATTENTION:** The holes need to be aligned.

(3) Repeat these procedures to assemble the another side.

J 2x

J1 2x

J2 2x

Y 4x

1 1x

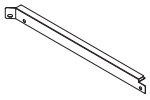
7 4x

8 4x

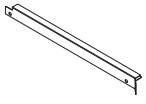
S4

M6x12

M6x16



J 2x



J1 2x



Y 2x



1 1x

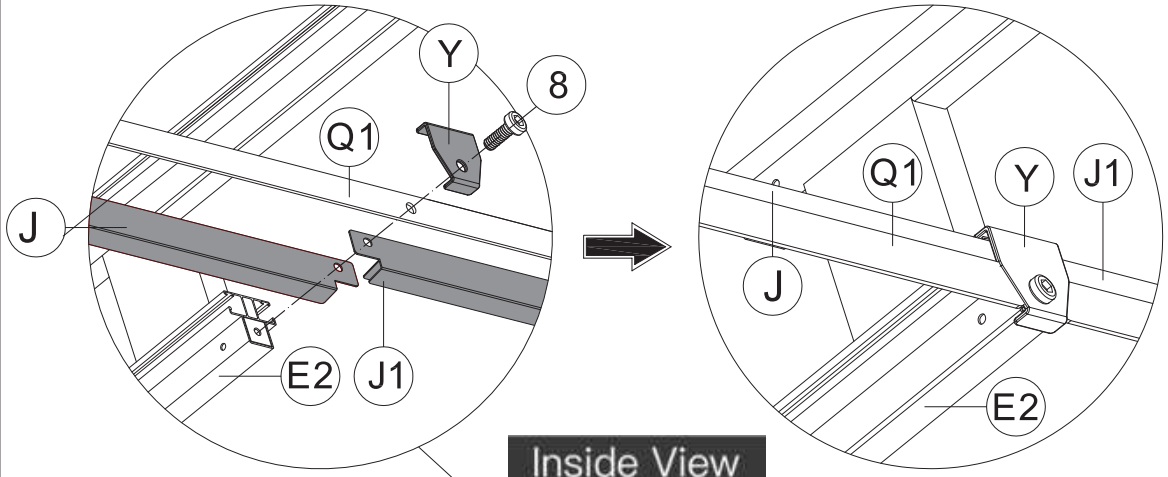


M6x16

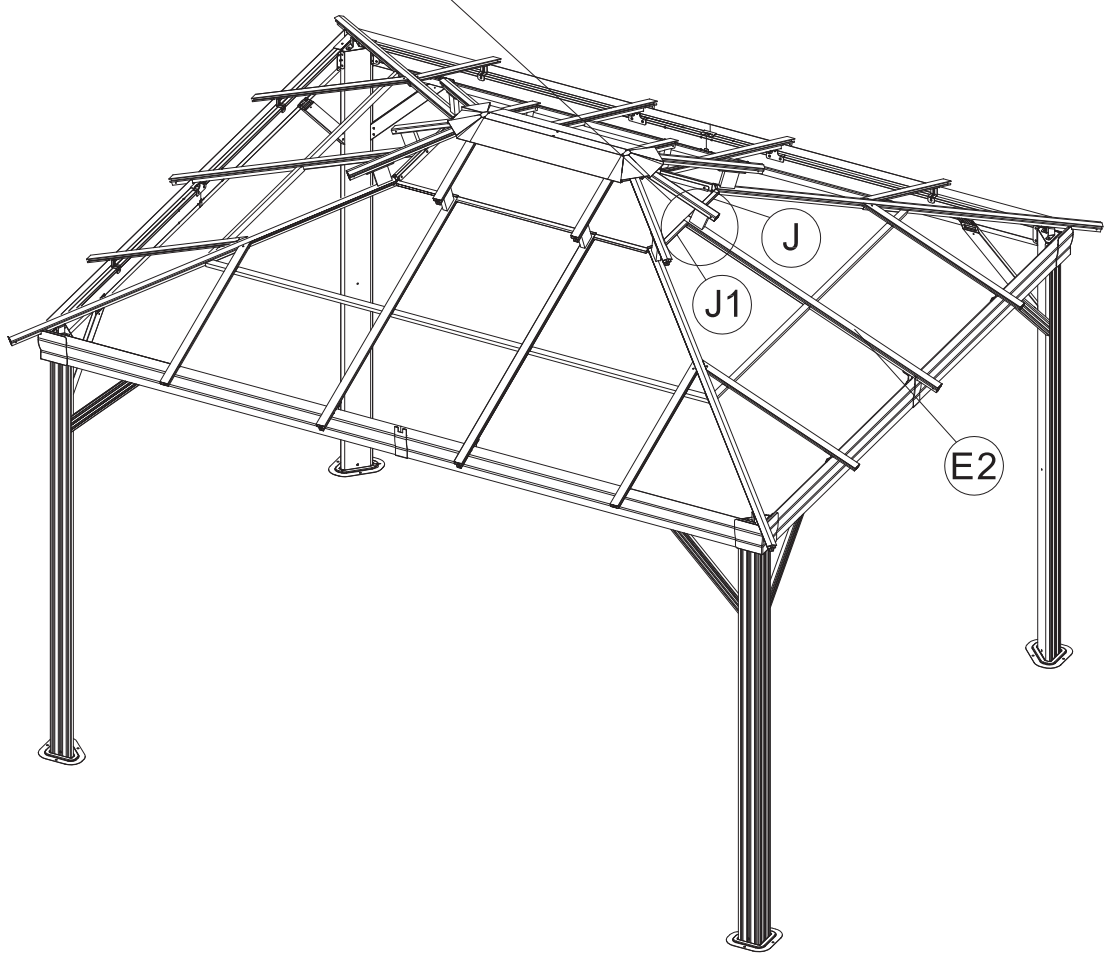
8 2x

(1) Place Part #J, Part #J1 and Part #Q1 into order on Part #E2; put on Part #Y and secure with Bolt #8.  
**ATTENTION: The holes need to be aligned.**

(2) Repeat these procedures to assemble the another side.



Inside View

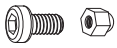




Y1 4x



1 1x



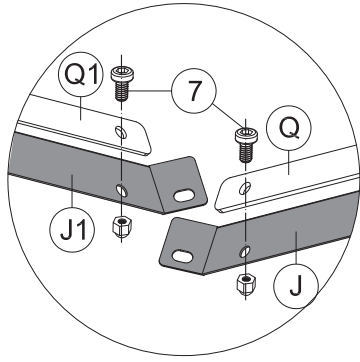
M6x12

7 8x

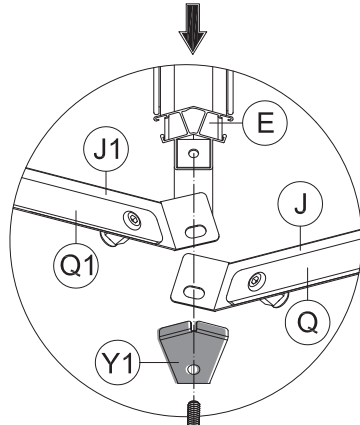


M6x16

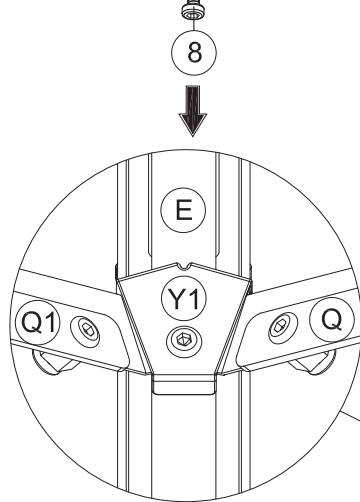
8 4x



(1) Attach Part #Q to Part #J with the Bolt and Nut #7; attach Part #Q1 to Part #J1 with Bolt and Nut #7.

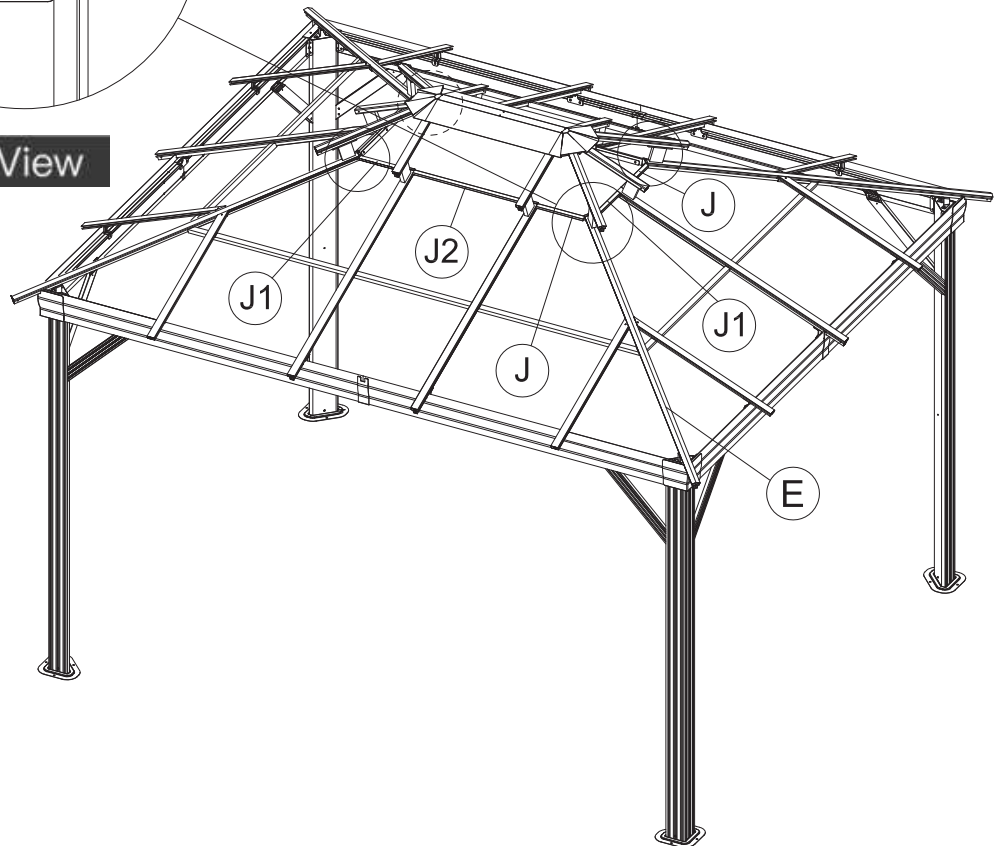


(2) Place Part #Y1 on Part #J/J1 and Part #E, securing with Bolt #8.

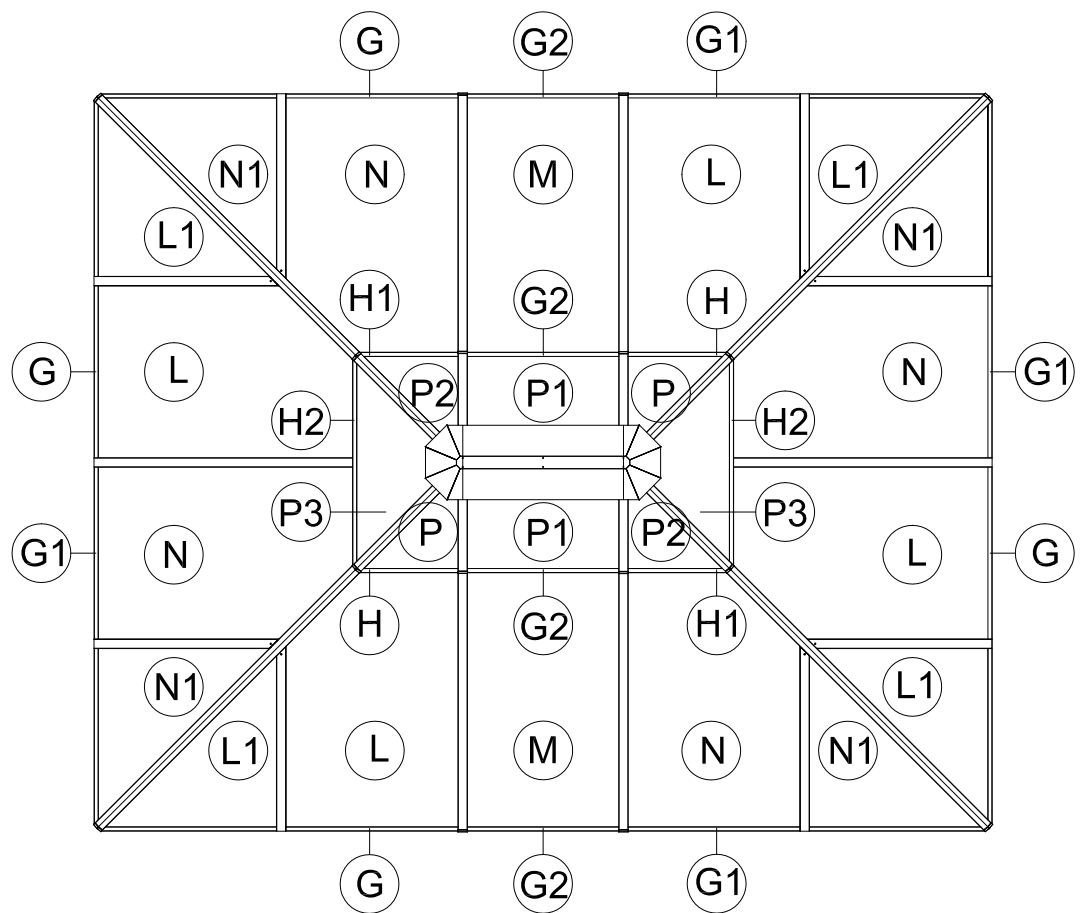


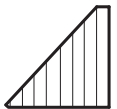
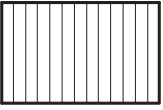
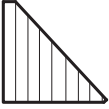
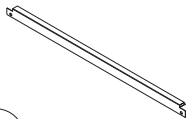
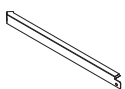
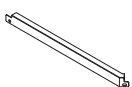
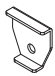

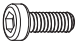

(3) Repeat these procedures to assemble the other three corners.

Inside View



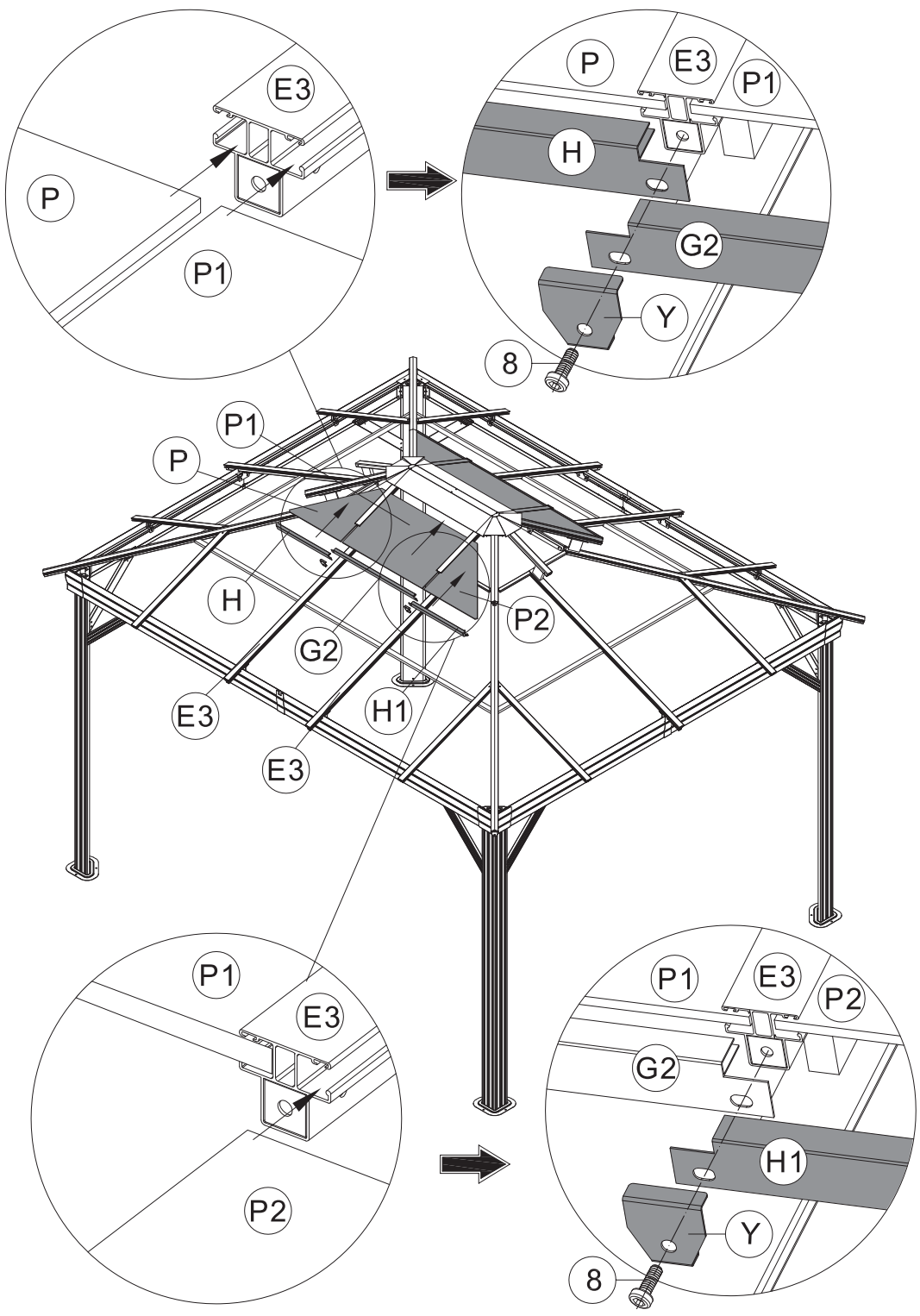
# ASSEMBLE ROOF PANELS:



-  P 2x
-  P1 2x
-  P2 2x
-  G2 2x
-  H 2x
-  H1 2x
-  Y 4x
-  S4
-  1 1x  
M6x16
-  8 4x

(1) Insert Part #P and Part #P1 into the top roof.

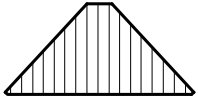
(2) Place Part #H and Part #G2 on Part #E3; put on Part #Y and secure with Bolt #8.



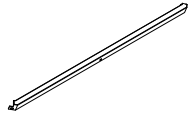
(3) Insert Part #P2 into the top roof.

(4) Place Part #H1 and Part #G2 on Part #E3; put on Part #Y and secure with Bolt #8.

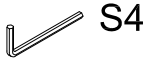
(5) Repeat these procedures to assemble the another side.



P3 2x



H2 2x



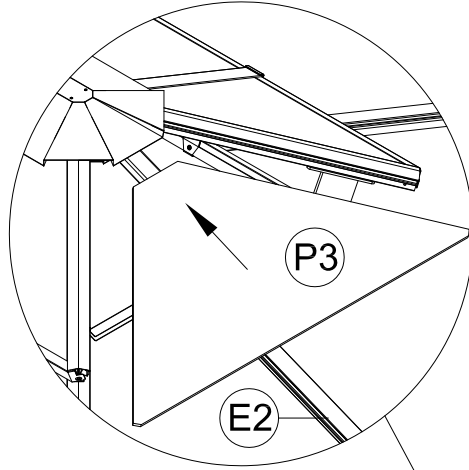
1 1x



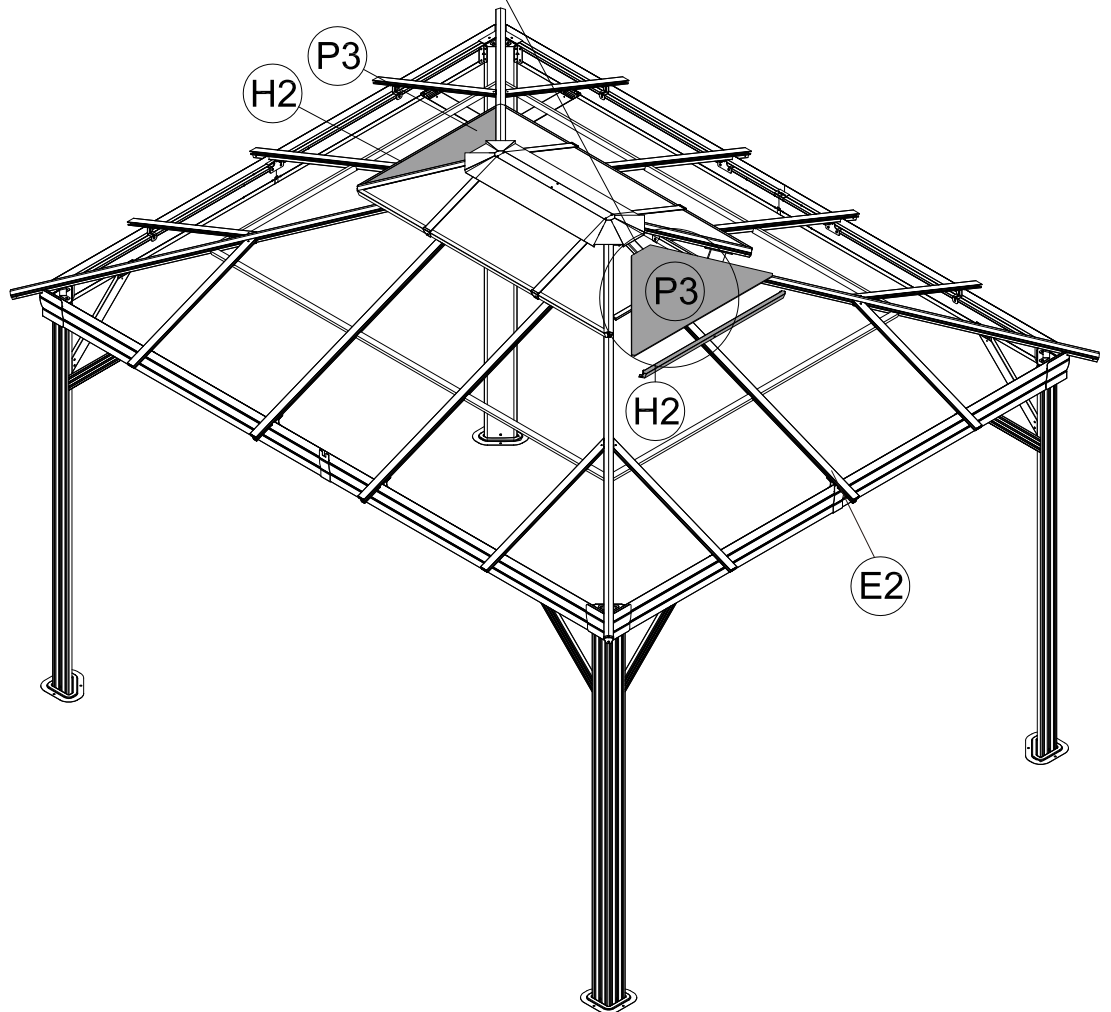
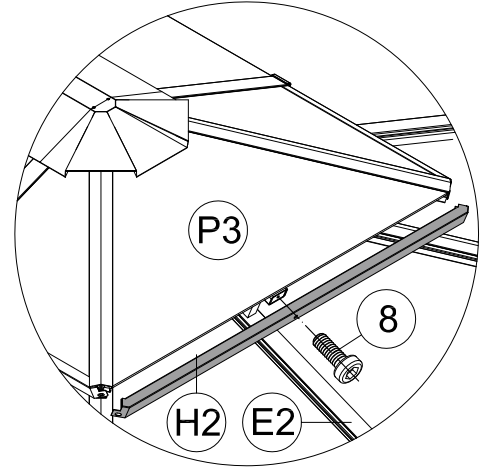
M6x16

8 2x

(1) Insert Part #P3 into the top roof.



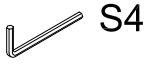
(2) Place Part #H2 on Part #E2, securing with Bolt #8.



(3) Repeat these procedures to assemble the another side.



Y1 4x



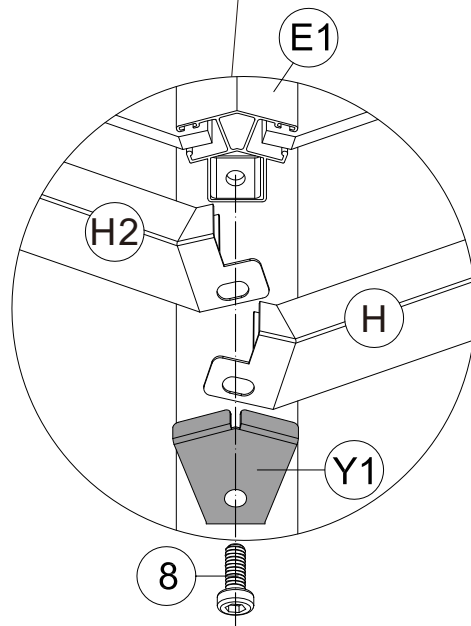
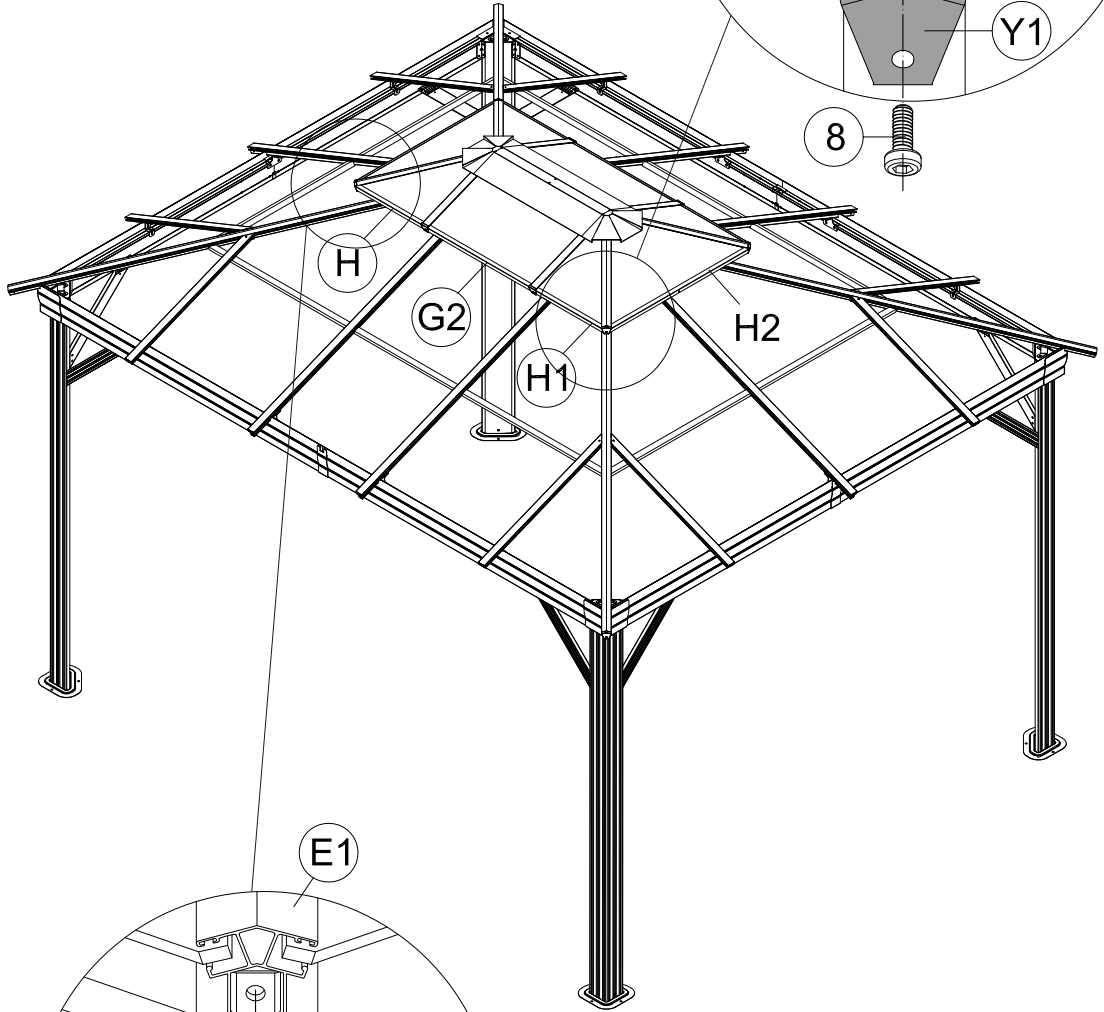
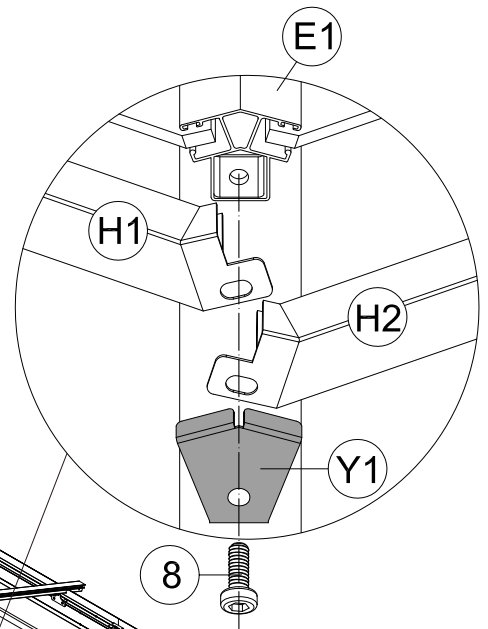
1 1x



M6x16

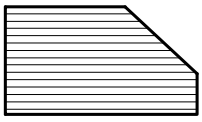
8 4x

(1) Place Part #H1 and Part #H2 on Part #E1; put on Part #Y1 and secure with Bolt #8.

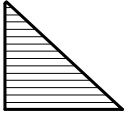


(2) Place Part #H and Part #H2 on Part #E1; put on Part #Y1 and secure with Bolt #8.

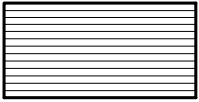
(3) Repeat these procedures to assemble the another side.



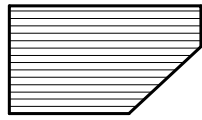
L 2x



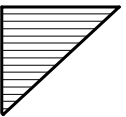
L1 2x



M 2x

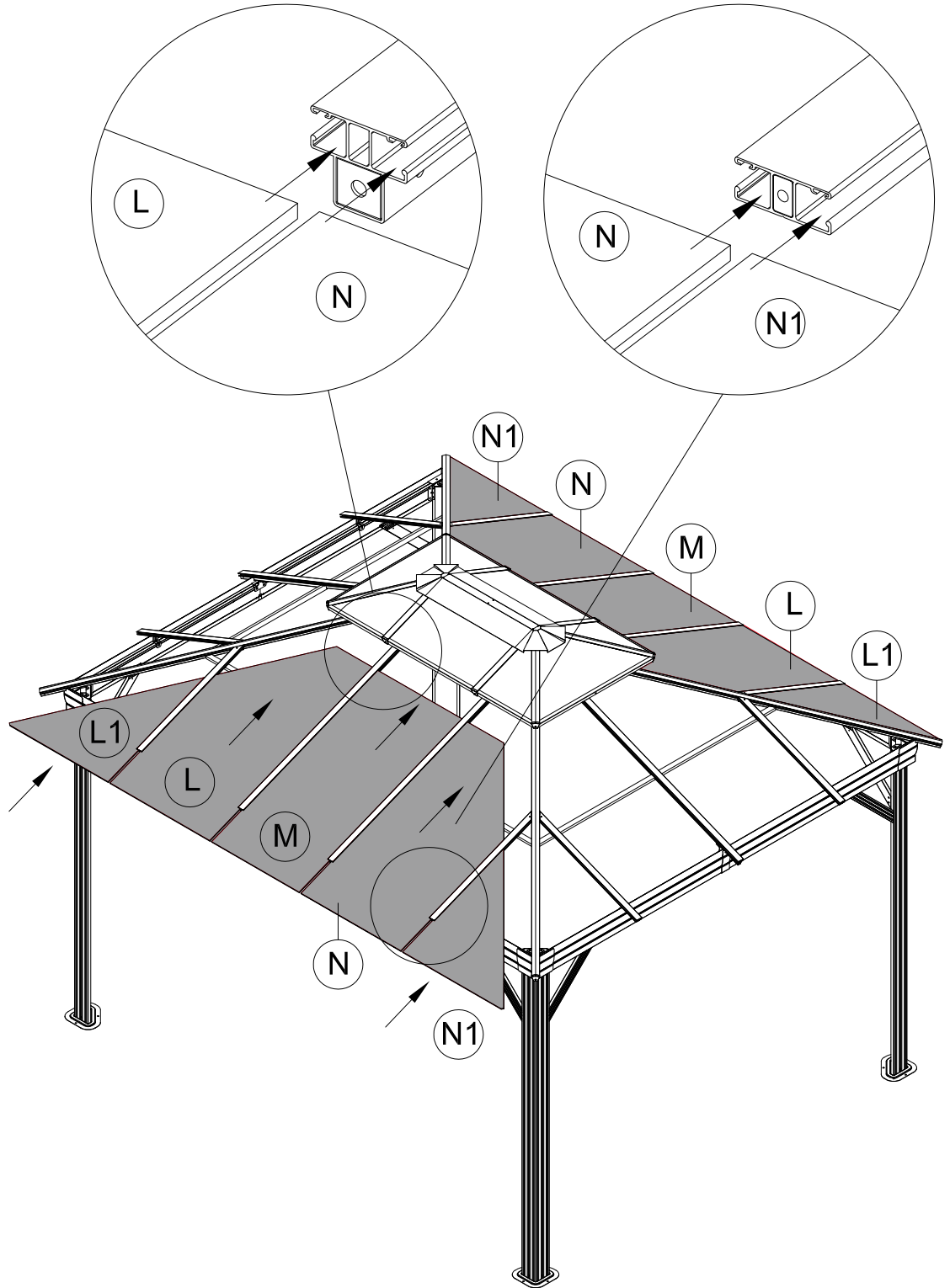


N 2x



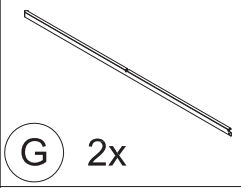
N1 2x

(1) Insert Roof Panels into the frame (L1&L&M&N&N1).

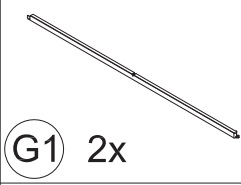


(2) Repeat these procedures to assemble the another side.

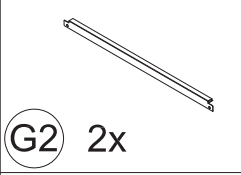




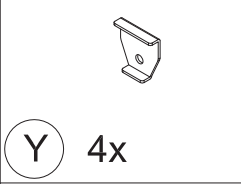
G 2x



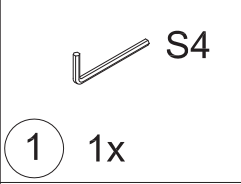
G1 2x



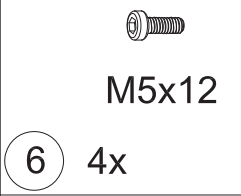
G2 2x



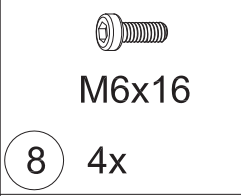
Y 4x



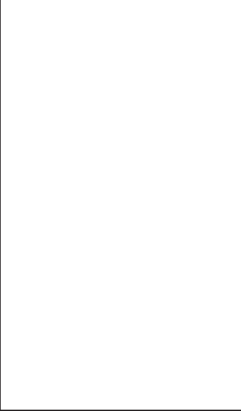
S4 1x



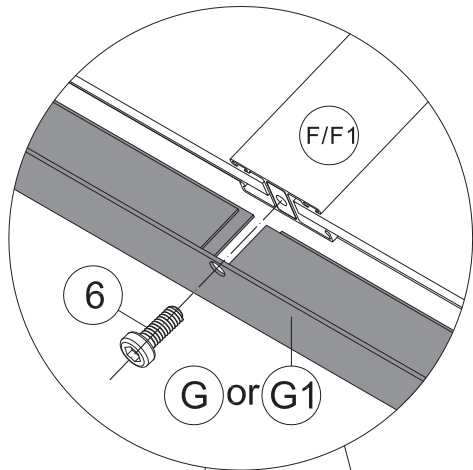
6 4x



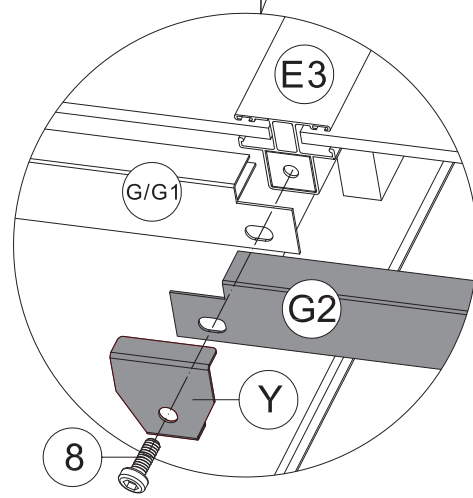
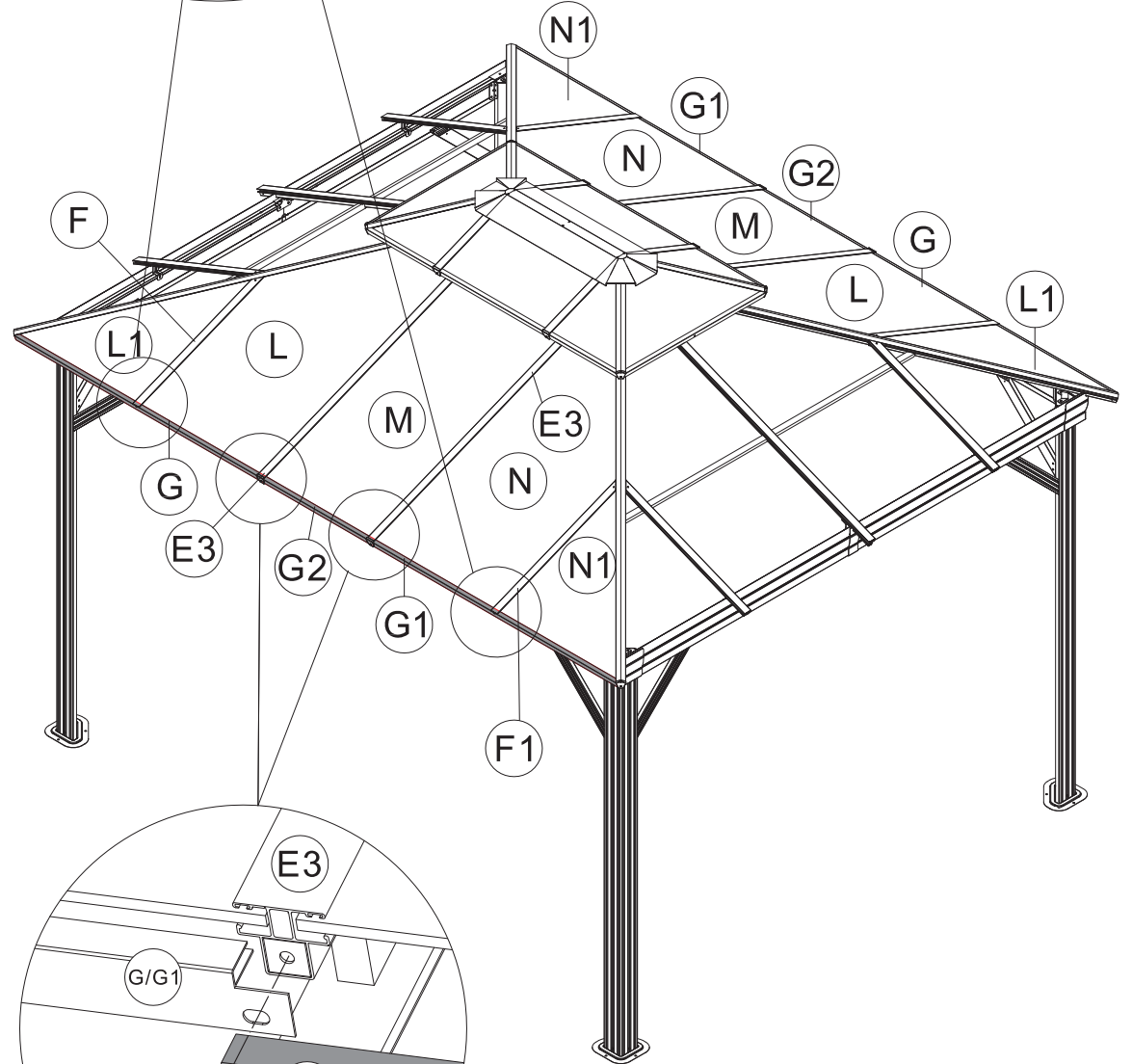
8 4x



31

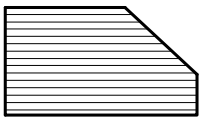


(1) Attach Part #G/G1 to the frame, securing with Bolt #6.

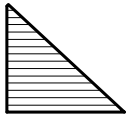


(2) Place Part #G2 on Part #G/G1 and Part #E3; put on Part #Y and secure with Bolt #8.

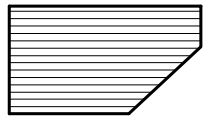
(3) Repeat these procedures to assemble the another side.



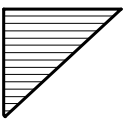
L 2x



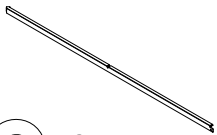
L1 2x



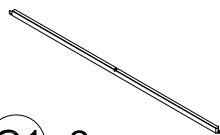
N 2x



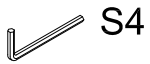
N1 2x



G 2x



G1 2x



S4

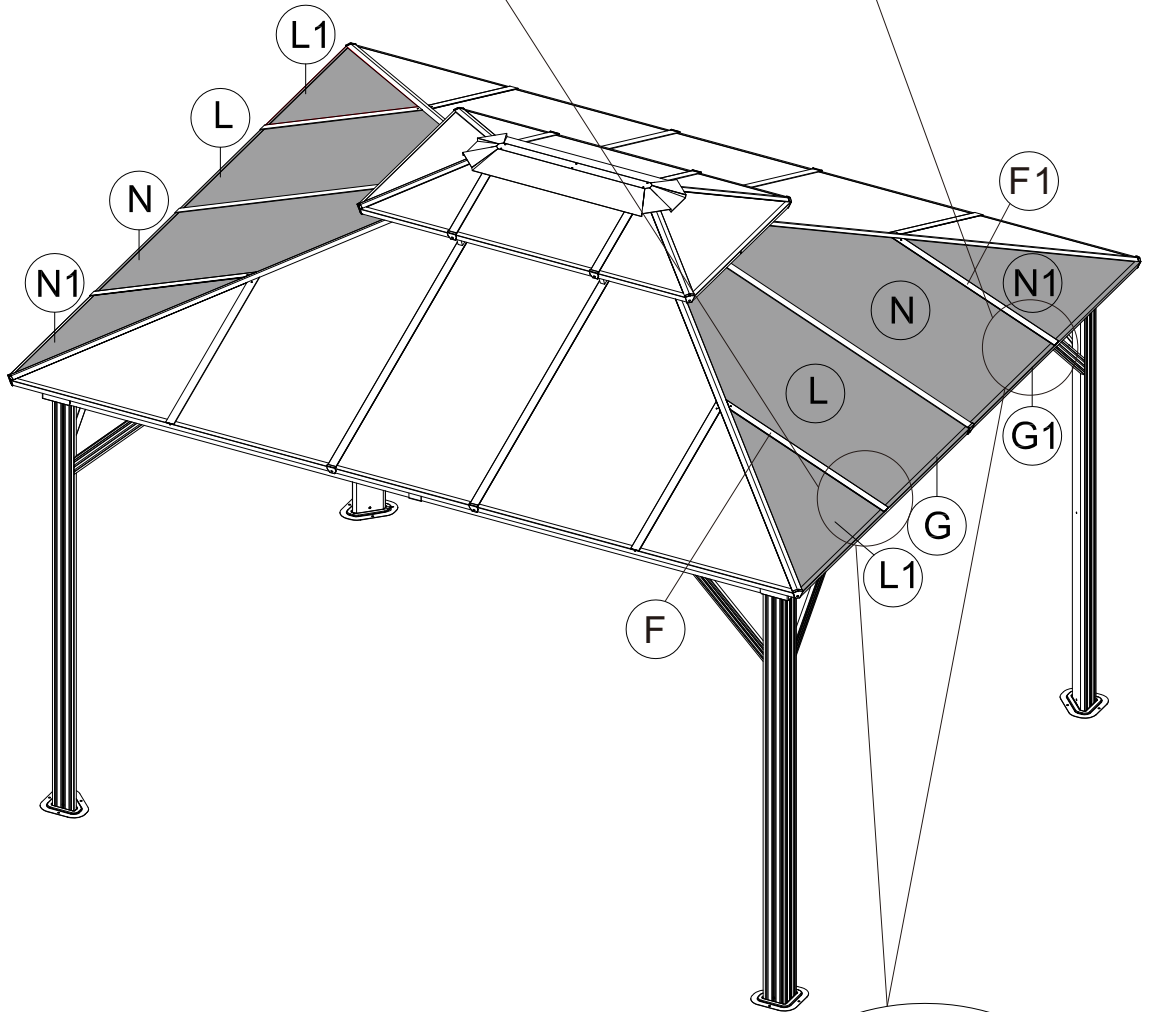
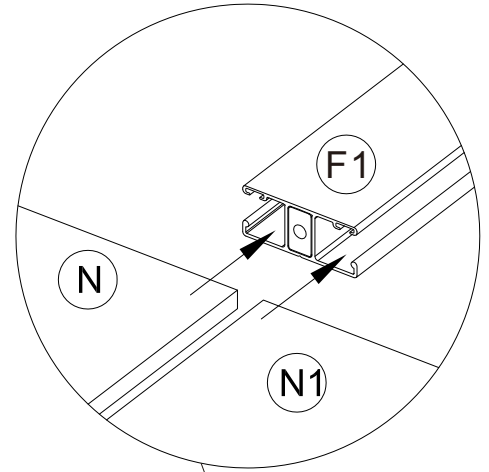
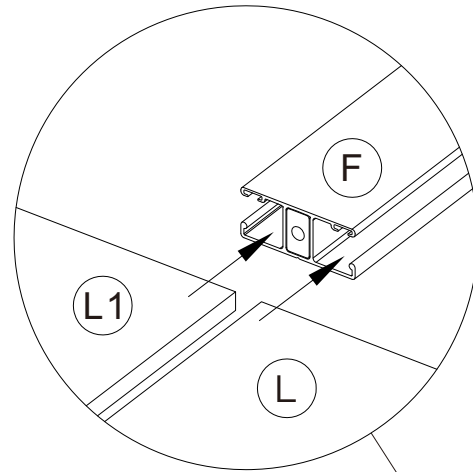
1 1x



M5x12

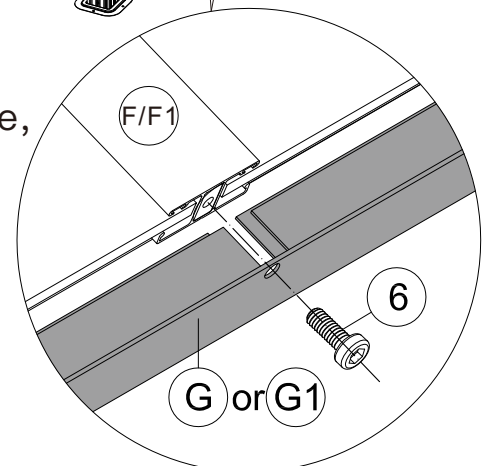
6 4x

(1) Insert Roof Panels into the frame(L1&L&N&N1).



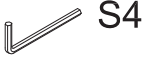
(2) Attach Part #G/G1 to the frame, securing with Bolt #6.

(3) Repeat these procedures to assemble the another side.





Y 2x



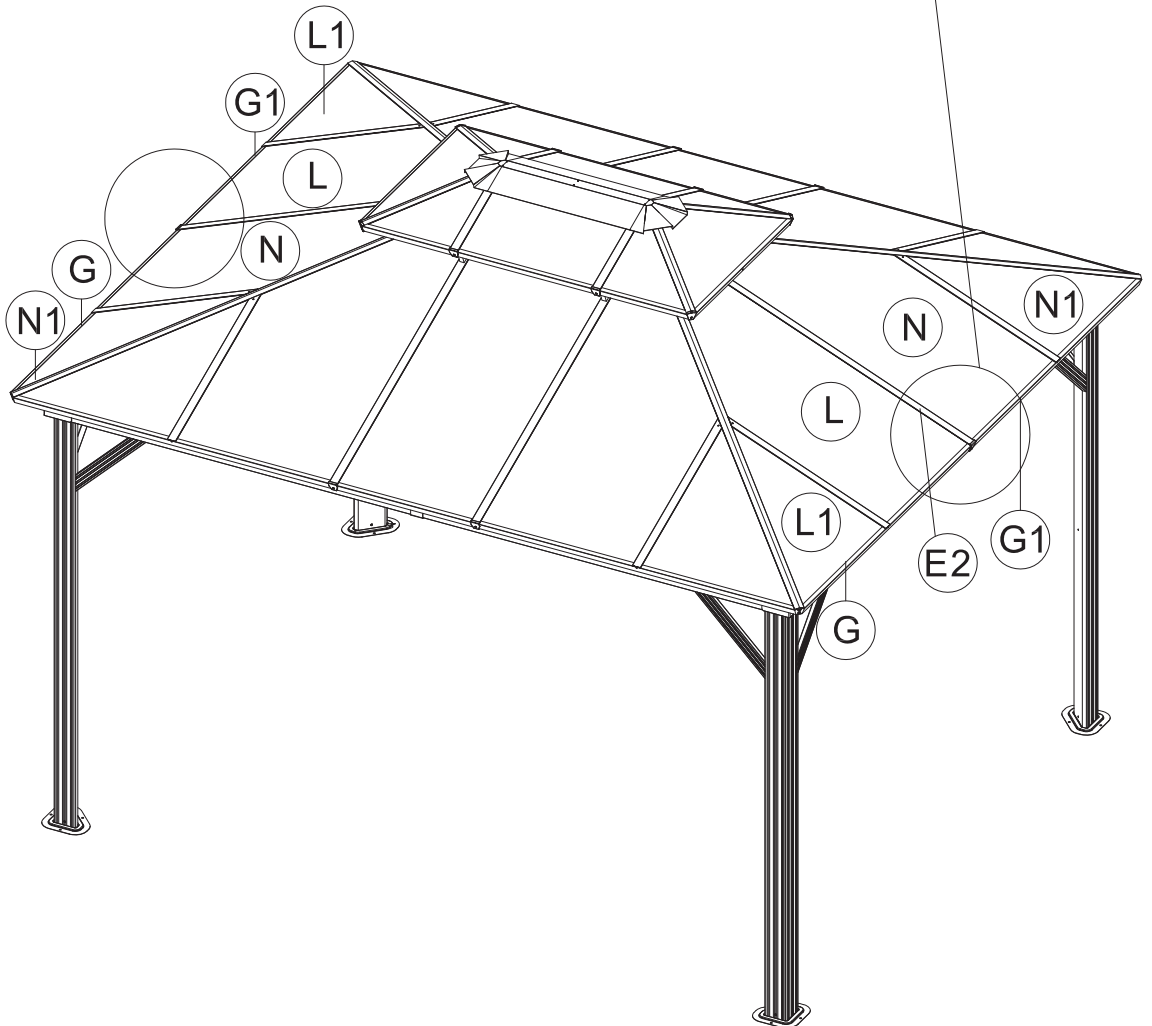
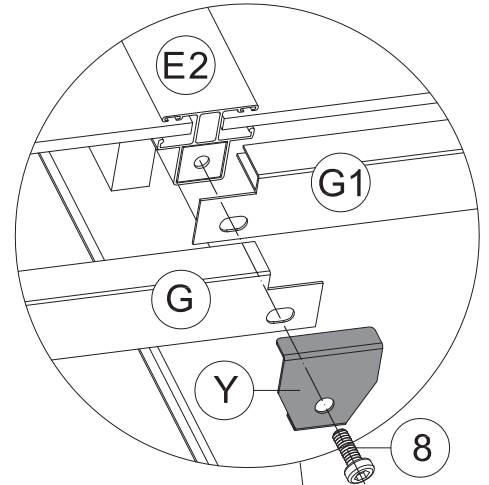
1 1x



M6x16

8 2x

(1) Place Part #G and Part #G1 on Part #E2;  
put on Part #Y and secure with Bolt #8.



(2) Repeat these procedures to assemble the another side.



Y1 4x

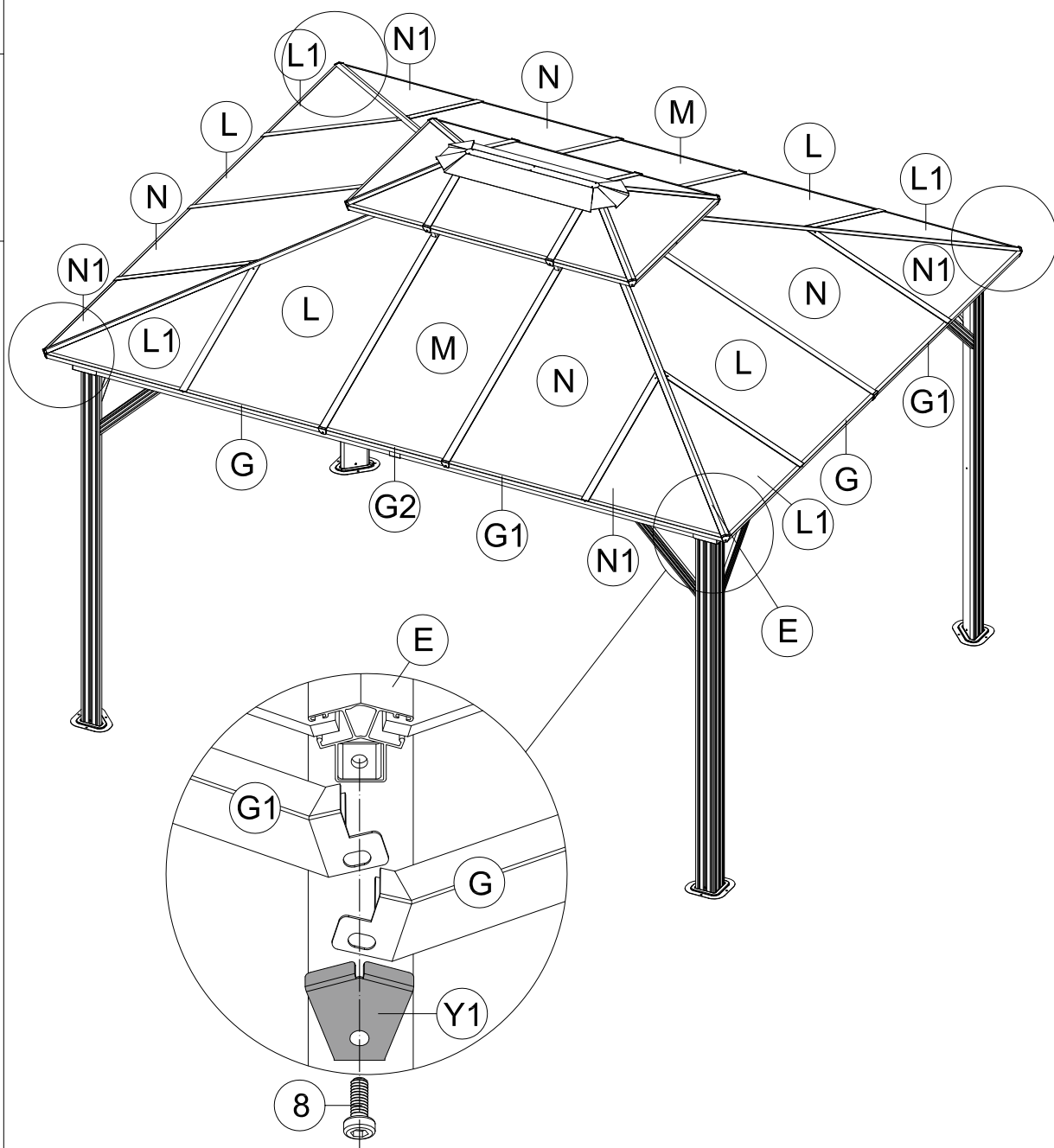


1 1x



M6x16

8 4x



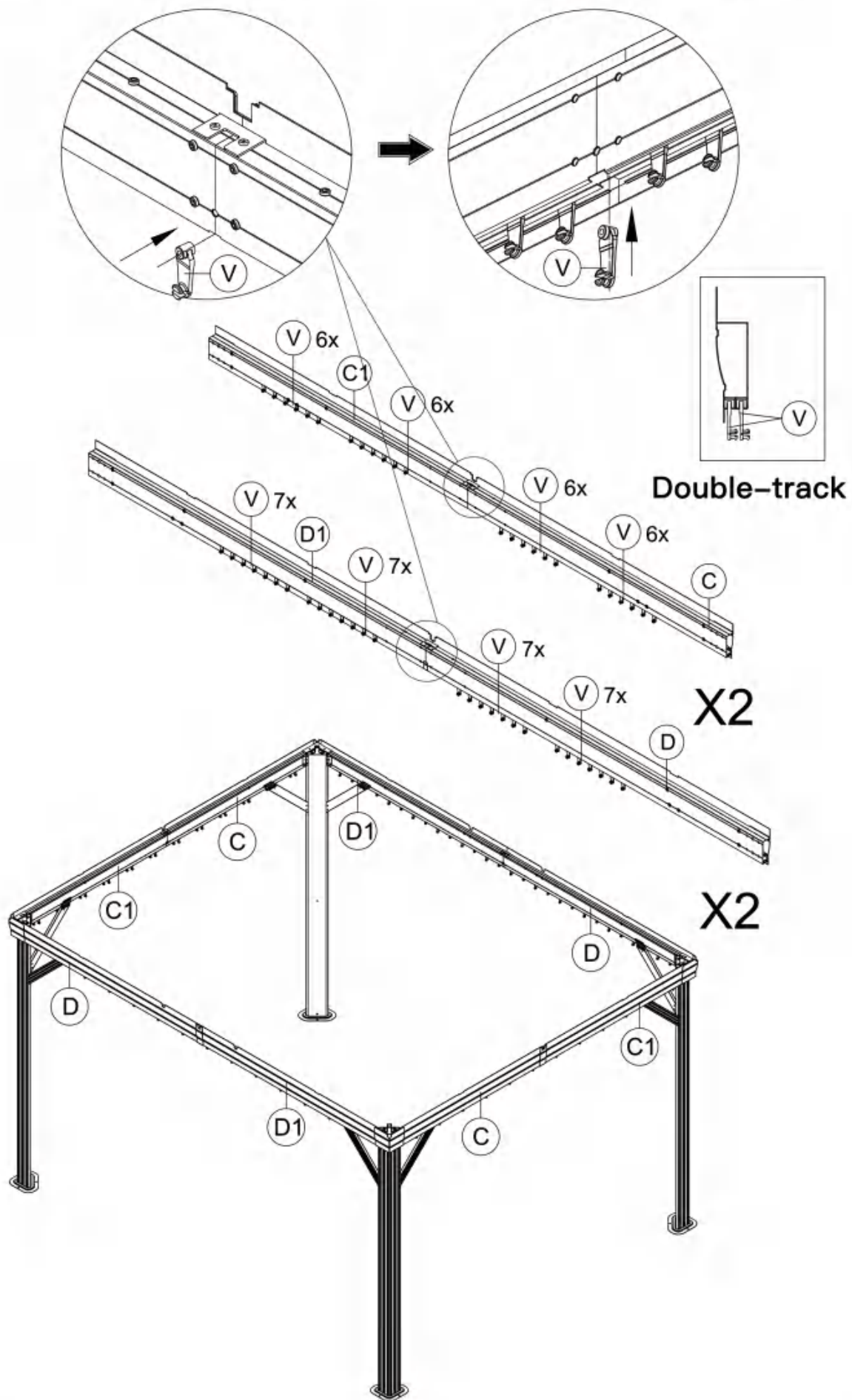
(1) Place Part #G and Part #G1 on Part #E; put on Part #Y1 and secure with Bolt #8.

(2) Repeat these procedures to assemble the other 3 corners.



- (1) Place 6 hooks on each slot of the Sidewall Track (C&C1).
- (2) Place 7 hooks on each slot of the Sidewall Track (D&D1).

V 104x





W 4x



1 1x

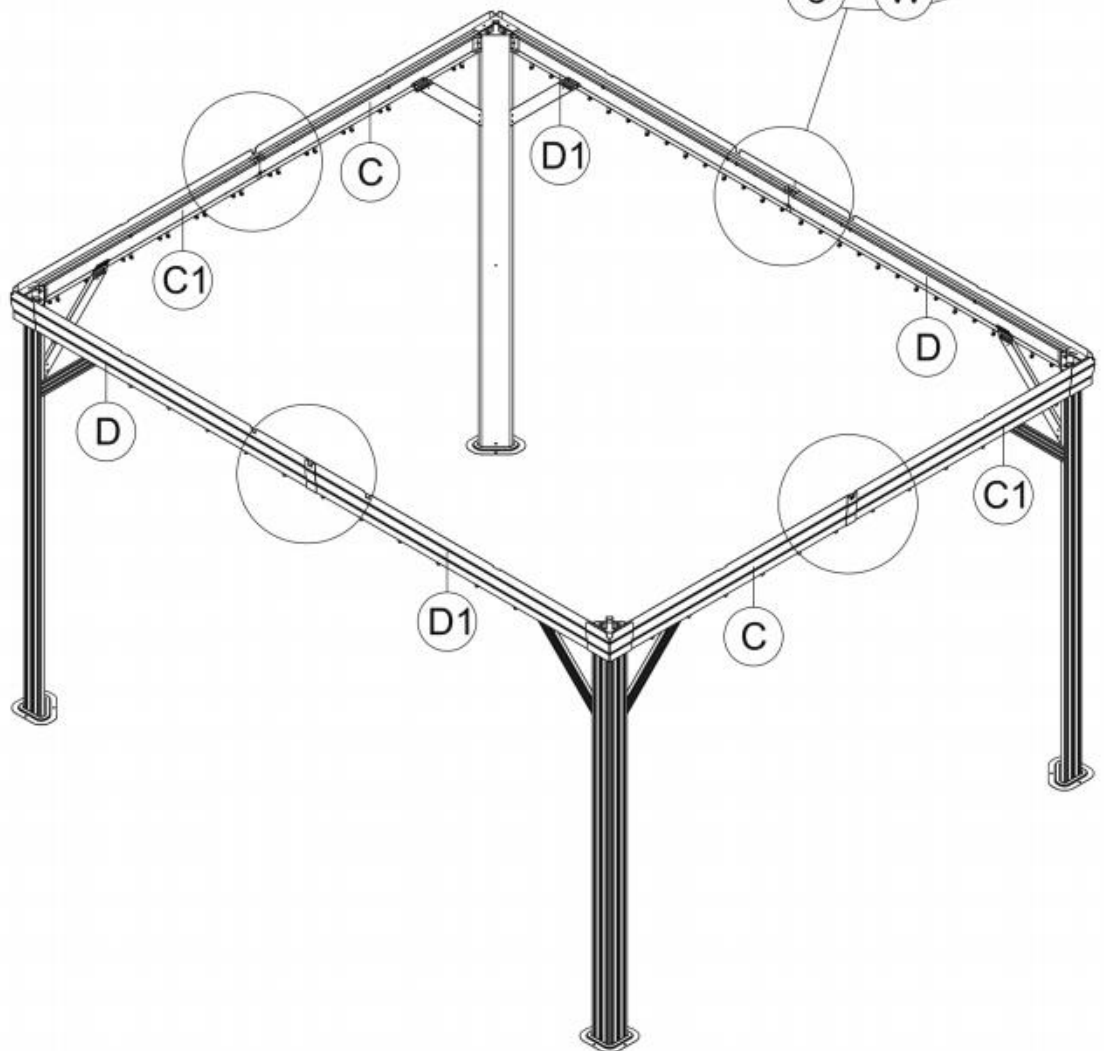
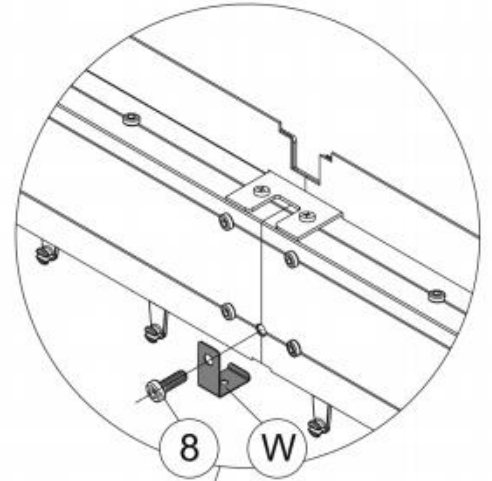


M6x16

8 4x

(1) Install Part #W at the joint of Part C&C1 with Bolts #8; install Part #W at the joint of Part D&D1 with Bolts #8.

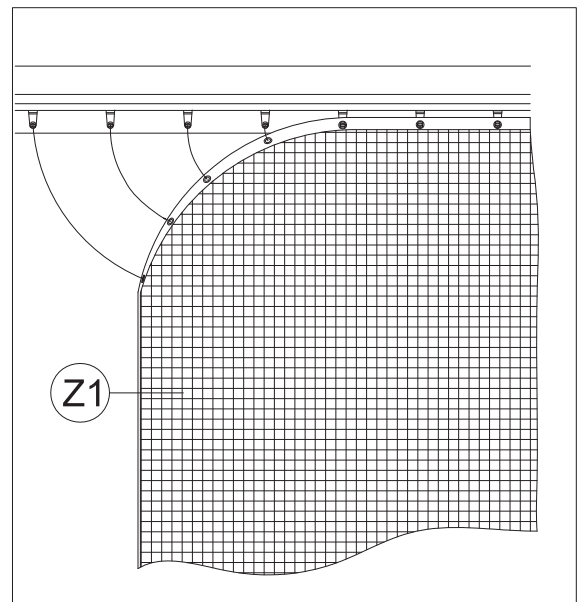
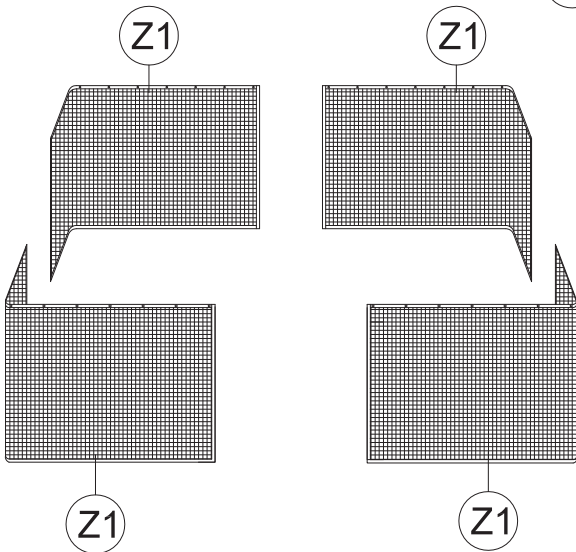
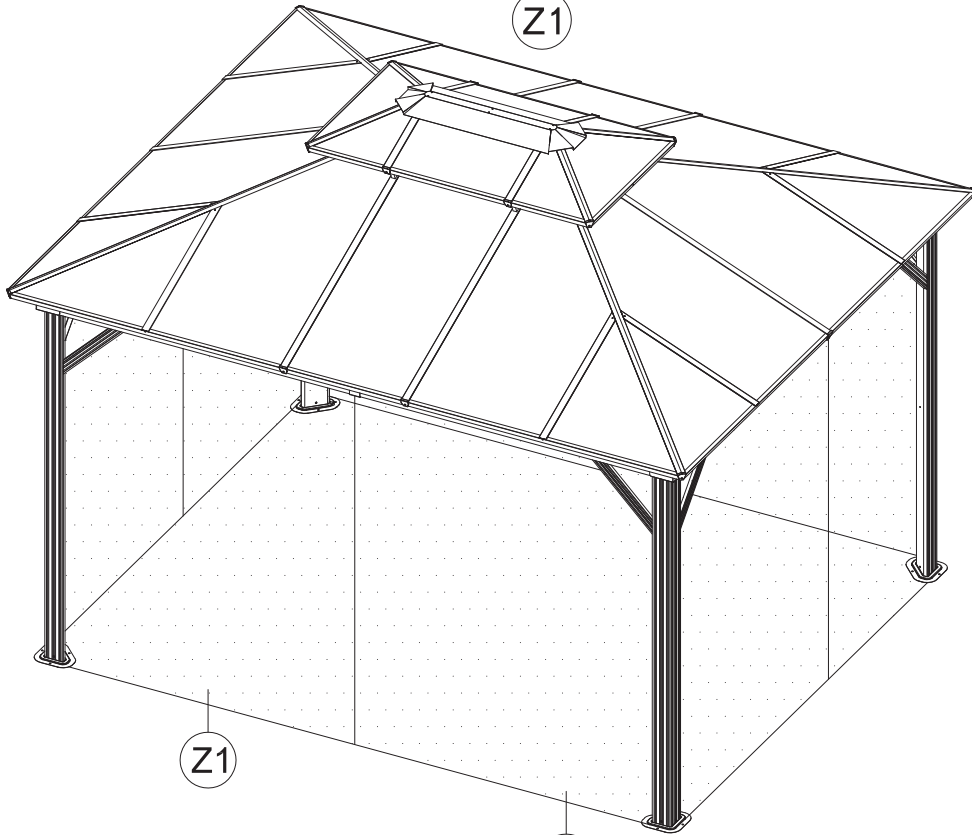
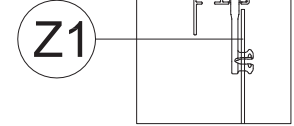
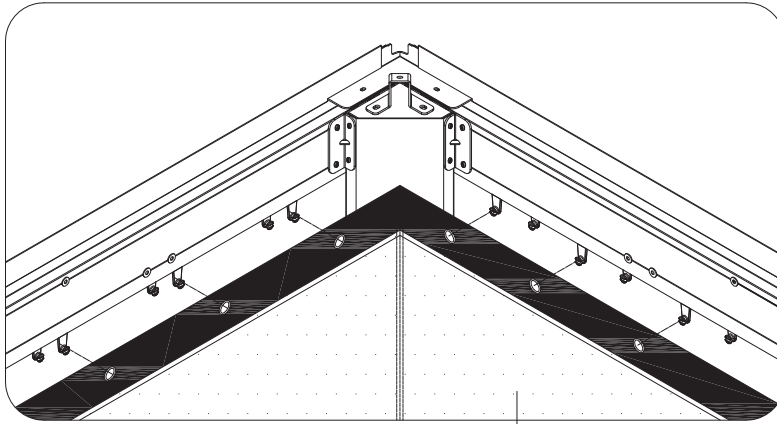
(2) Repeat the above procedures to assemble another side.

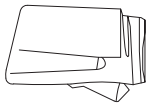




Hang up mosquito sidewalls to inside track.

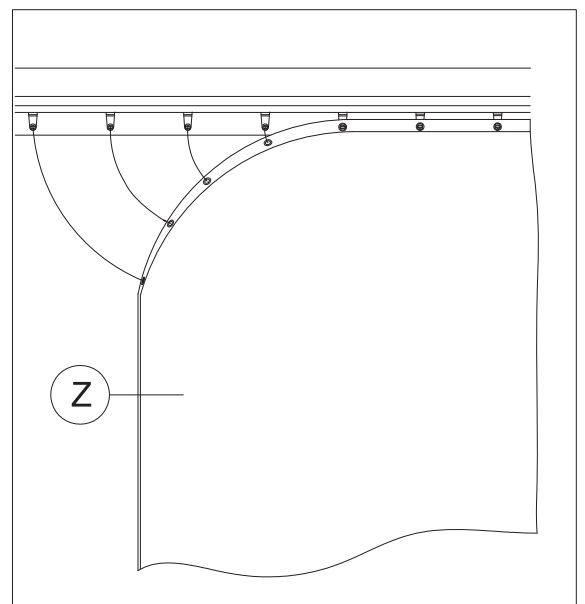
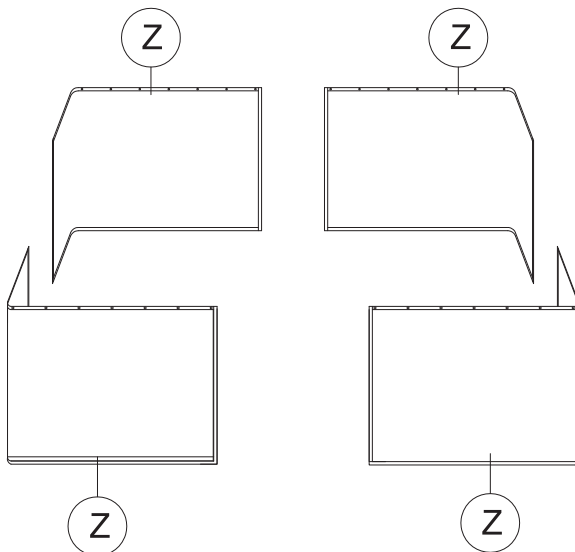
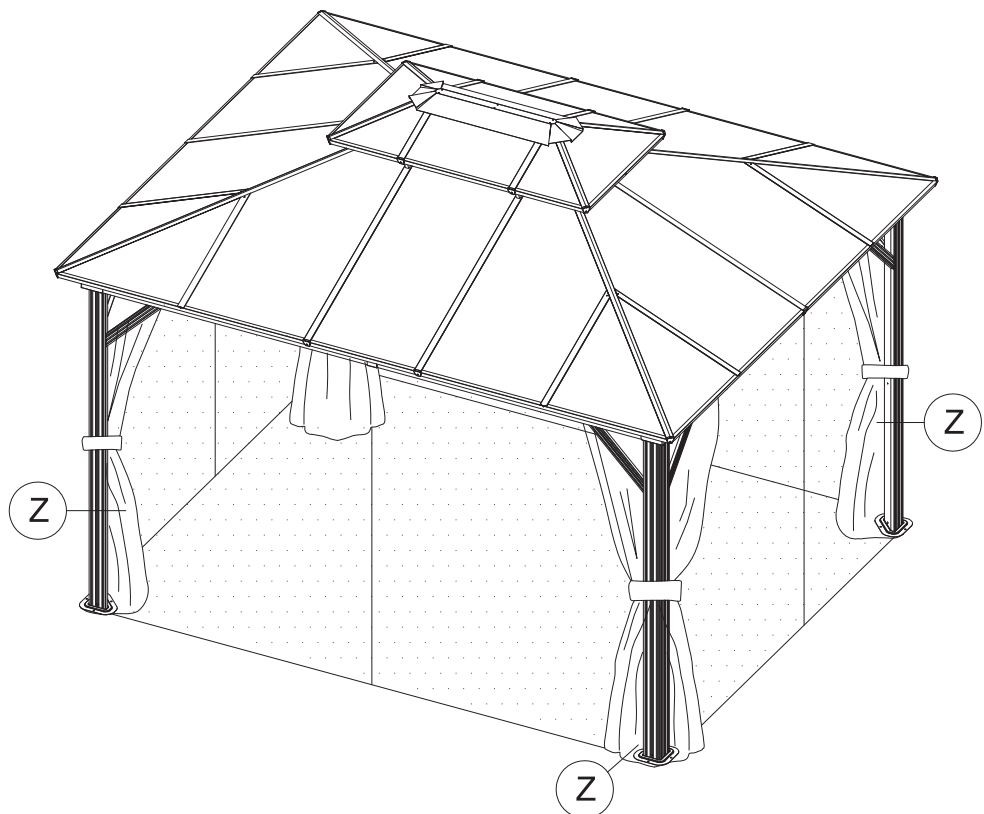
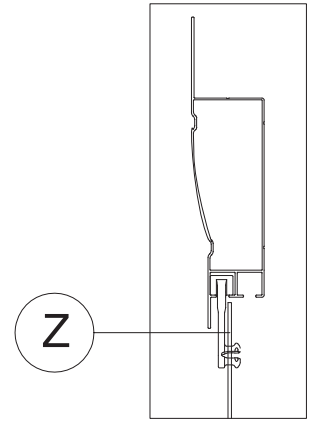
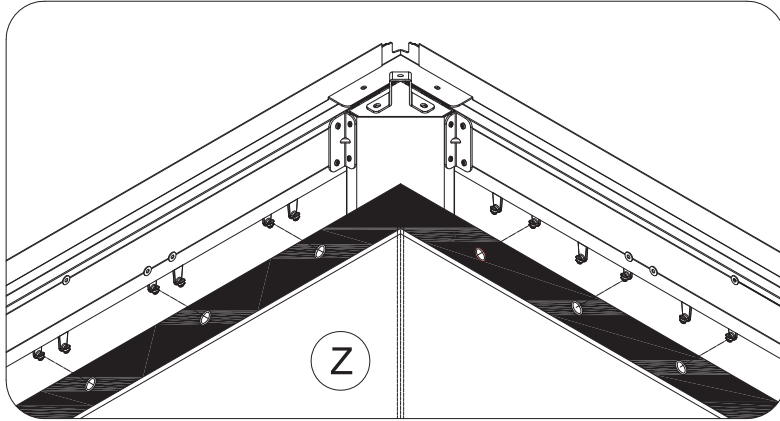
Z1 4x





# Hang up mosquito sidewalls to outside track.

Z 4x







RESORT COMFORT IN YOUR  
OWN BACKYARD

## **Thanks for your purchase.**



At domi outdoor living, we believe in our products.

That's why we provide a 12-month warranty and

friendly, easy-to-reach after-sales service. So if you

have any questions about our product and assembly-

,please feel free to contact us. We will be here for you.

**Support:**  

email: [service@domioutdoorliving.com](mailto:service@domioutdoorliving.com)

Please tell us your order ID when contact.

Attach photos of damaged part for instant reply.