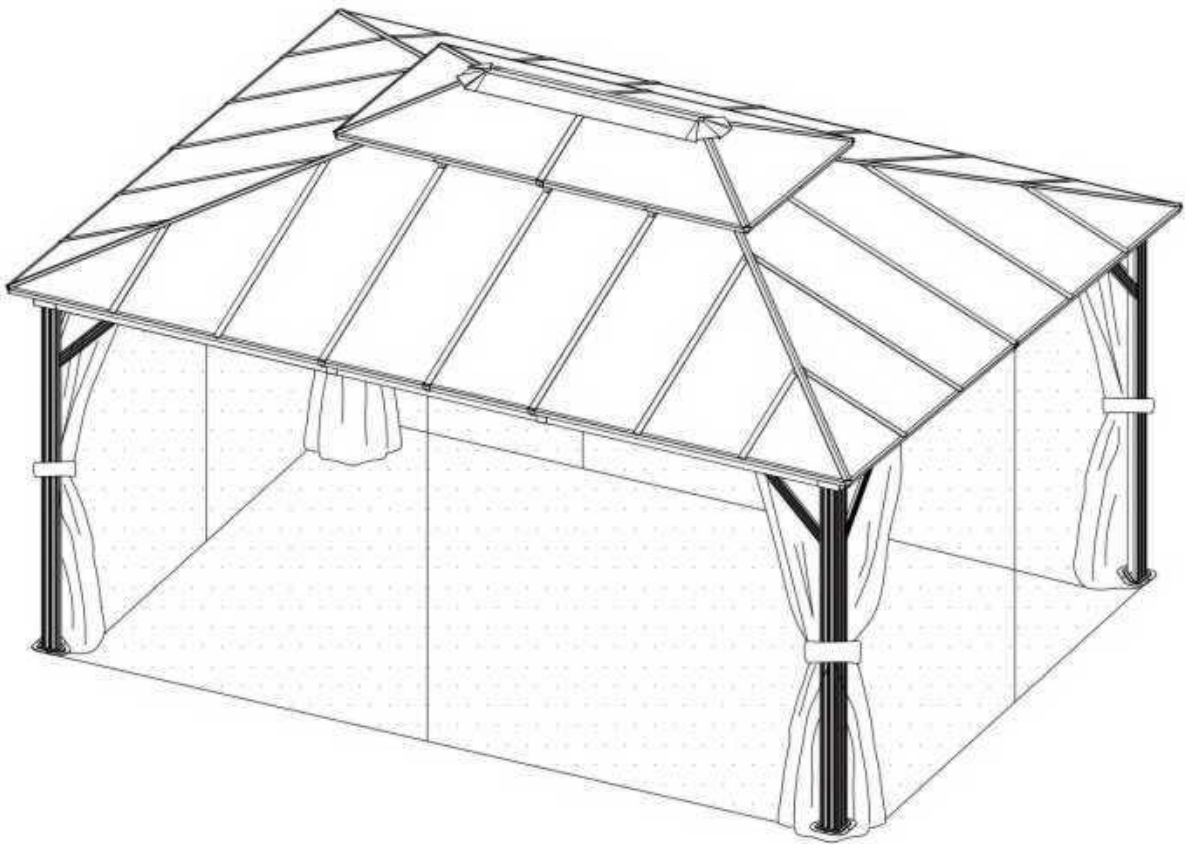




12'×16' HARDTOP ALUMINUM
POLYCARBONATE GAZEBO

ASSEMBLY MANUAL



MODEL#: LGFP1583

Missing part? Damaged? Contact us:

service@domioutdoorliving.com

Pre-assembly



1. Two or more people are required for assembly.



2. You will need one or more stepladders.



3. Wearing protective gloves is recommended.



4. You may need a safety hat.



5. Please use a Phillips screw driver.



6. For ease of construction, you may need a drill.



7. You may need a safety goggle.



8. Do not fully tighten screws prior to complete assembly.

Warning & Attention

-Try to assemble this product on the flat ground, otherwise it is difficult to carry out;

-It would be much easier to assemble the product with three or more people;

-After assembly, please check whether all screws are tightened, to prevent parts from falling apart.

▲ Use bolts to secure the frame to the ground to against the strong wind.



A 4x Pole



C 2x Beam



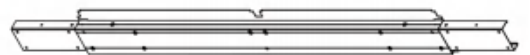
C1 2x Beam



D 2x Beam



D1 2x Beam



D2 2x Beam Connector



E 4x Corner Roof Bar



E1 4x Corner Roof Bar Connector



E2 6x Roof Bar



E3 2x Roof Bar



F 4x Corner Roof Solidifying Bar



F1 4x Corner Roof Solidifying Bar



F2 4x Corner Roof Solidifying Bar



F3 4x Corner Roof Solidifying Bar



G 4x Finishing Bar



G1 4x Finishing Bar

F



G2 2x Finishing Bar

F



H 2x Finishing Bar

F



H1 2x Finishing Bar

F



H2 2x Finishing Bar

F



J 4x Finishing Bar

F



J1 4x Finishing Bar

F



J2 2x Finishing Bar

□



K 4x Solidfying Bar

□



K1 4x Solidfying Bar

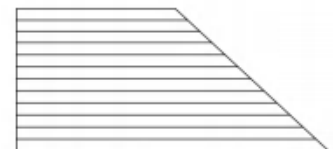
□



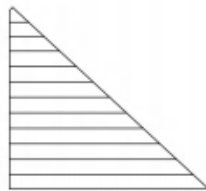
K2 4x Solidfying Bar



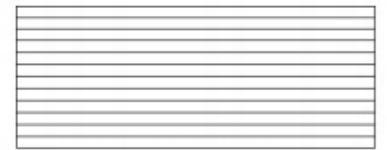
L 4x Roof Panel



L1 4x Roof Panel



L2 4x Roof Panel



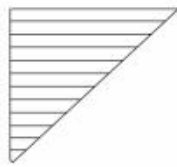
M 4x Roof Panel



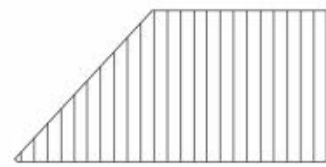
N 4x Roof Panel



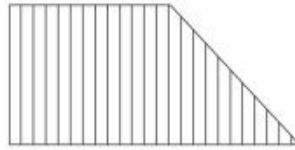
N1 4x Roof Panel



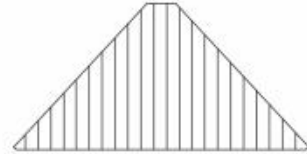
N2 4x Roof Panel



P 2x Roof Panel



P1 2x Roof Panel



P2 2x Roof Panel



Q 4x Plastic Bar



Q1 2x Plastic Bar



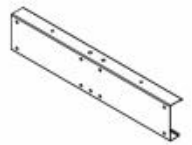
B 4x Base



B1 8x Joint Cover



B2 8x Joint Cover



C2 2x Union Bar



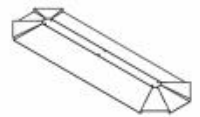
R 4x Corner Solidifying Bar



R1 4x Corner Solidifying Bar



S 1x Inside Roof Connector



S1 1x Outside Roof Connector



T 3x J-Hook



U 4x Bracket



U1 8x Bracket



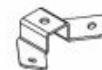
U2 16x Bracket



V 128x Hook



W 4x Bracket



W1 8x Bracket



W2 4x Bracket



W3 8x Joint Cover





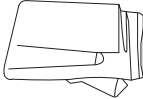
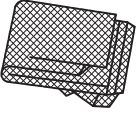
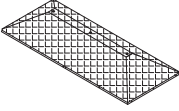




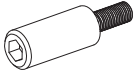


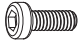

X 6x Joint Cover

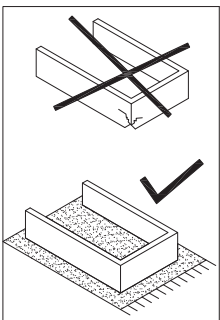









X1 4x Corner Cover

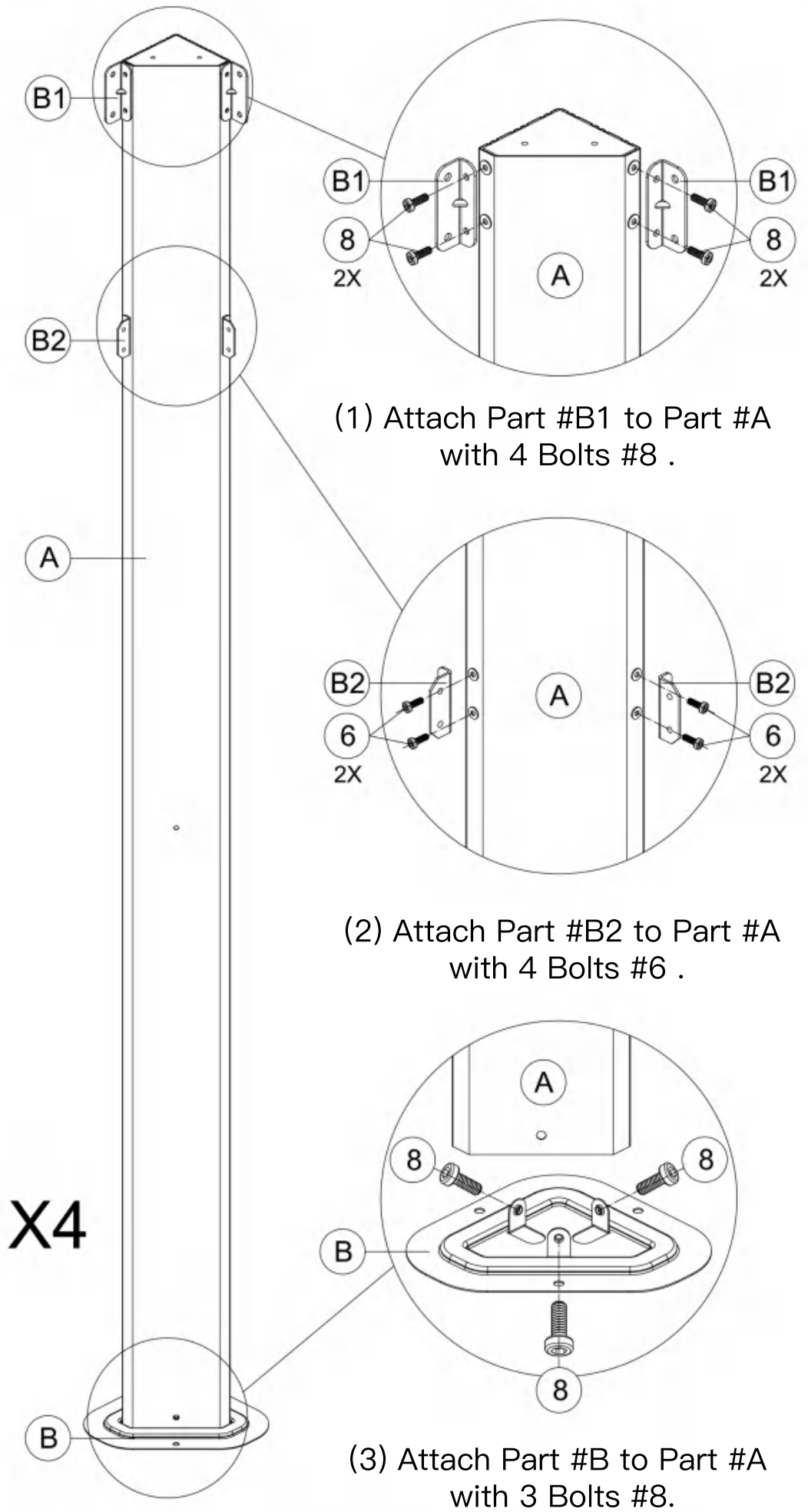


X2 8x Spacer

 Y 18x Finishing End	 Y1 12x Finishing End	 Z 4x Solid Sidewall	 Z1 4x Mosquito Sidewall
 Z2 1x Mesh	 1 1x	 2 8x	 3 20x
 4 16x	 5 16x	 6 64x	 7 12x
 8 276x	 9 8x		



-  **A** 4x
-  **B** 4x
-  **B1** 8x
-  **B2** 8x
-  **1** 1x
S4
-  **6** 16x
M5x12
-  **8** 28x
M6x16

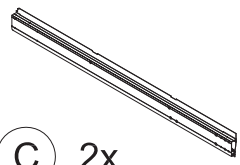


(1) Attach Part #B1 to Part #A with 4 Bolts #8 .

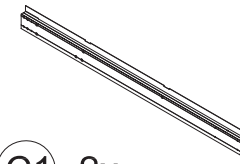
(2) Attach Part #B2 to Part #A with 4 Bolts #6 .

(3) Attach Part #B to Part #A with 3 Bolts #8.

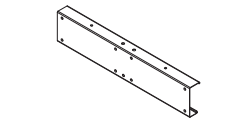
(4) Repeat the above procedures to assemble the other three Part #A.



C 2x



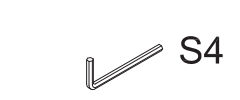
C1 2x



C2 2x



X 2x



1 1x



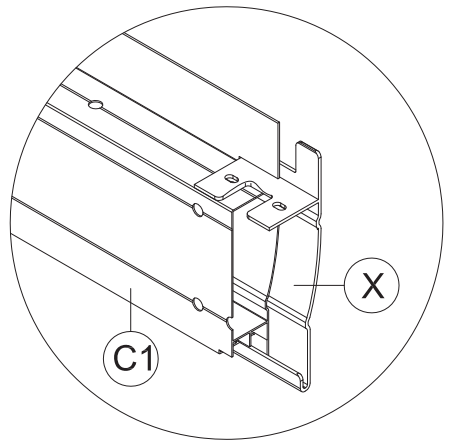
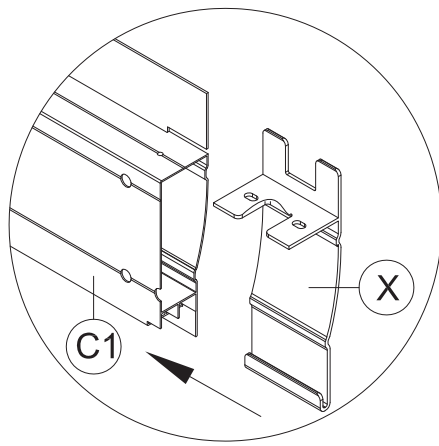
3 4x



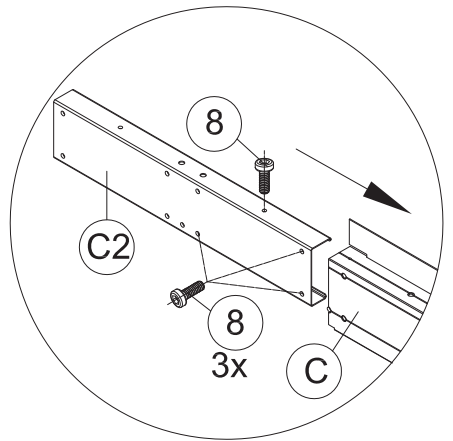
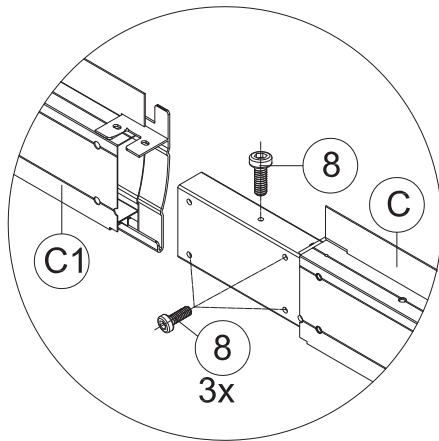
8 16x



6

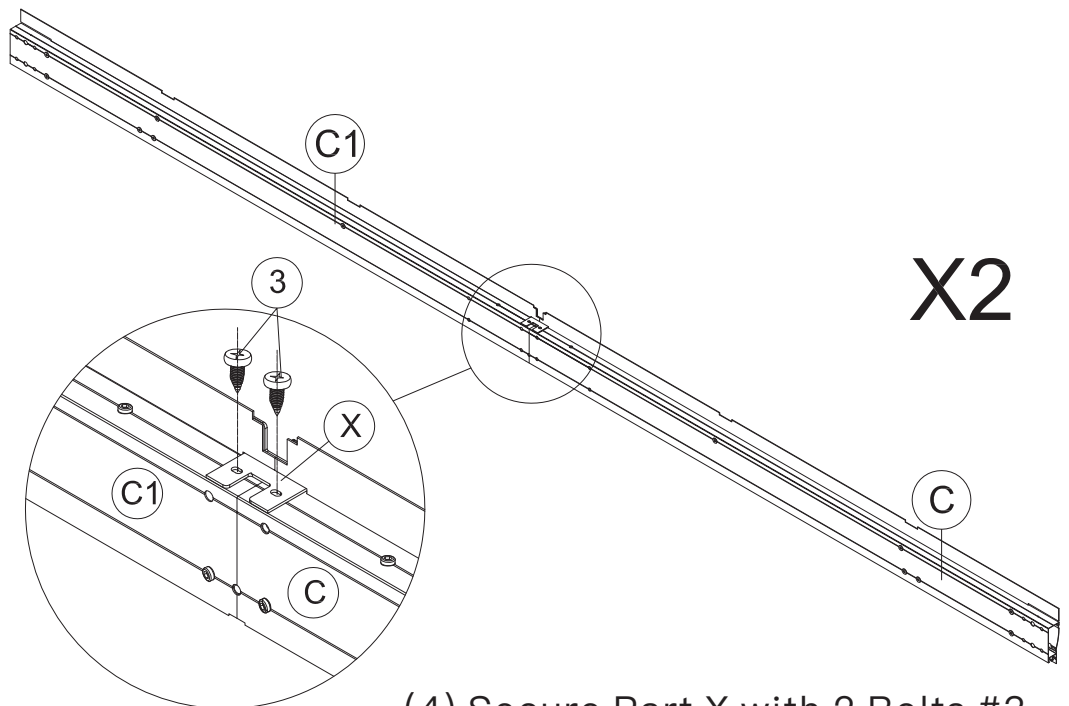


(1) Insert Part #X into Part #C1.



(3) Insert the other side of Part #C2 into Part #C1 and secure with 4 Bolts #8.

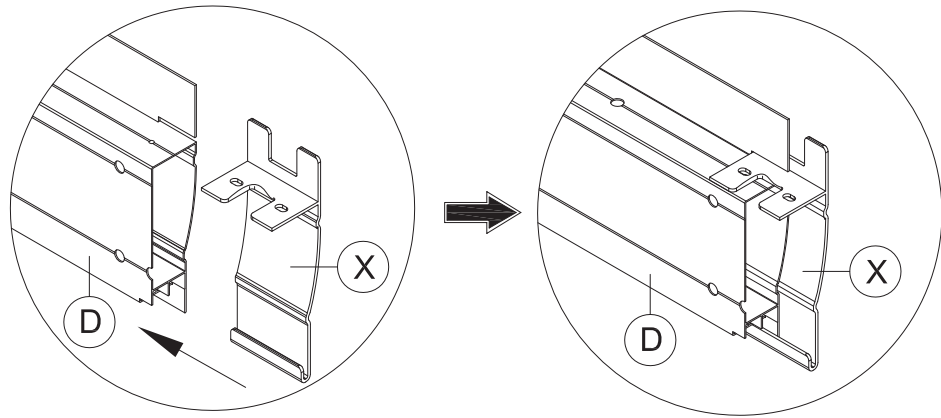
(2) Insert one side of Part #C2 into Part #C and secure with 4 Bolts #8.



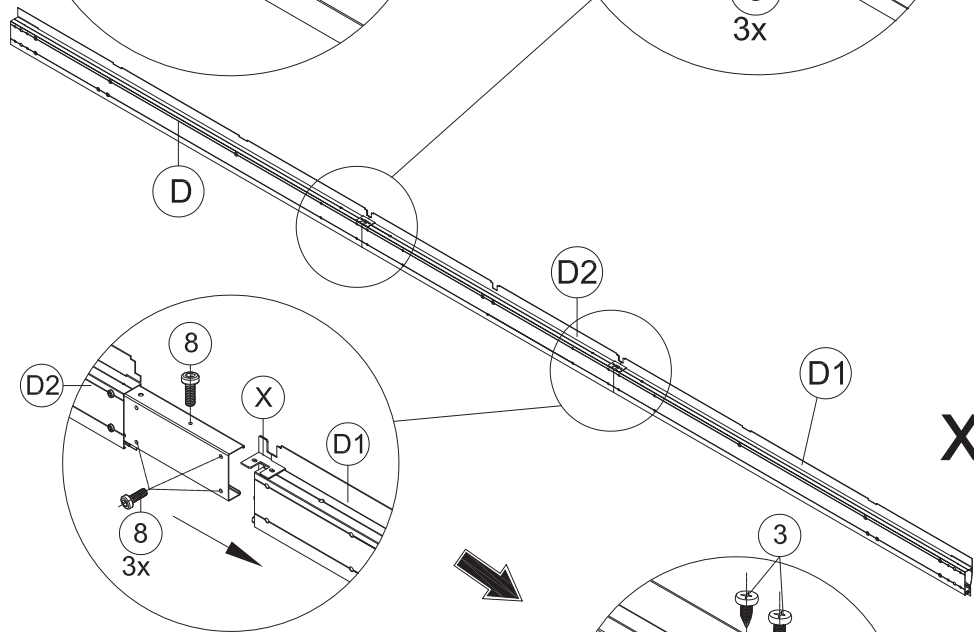
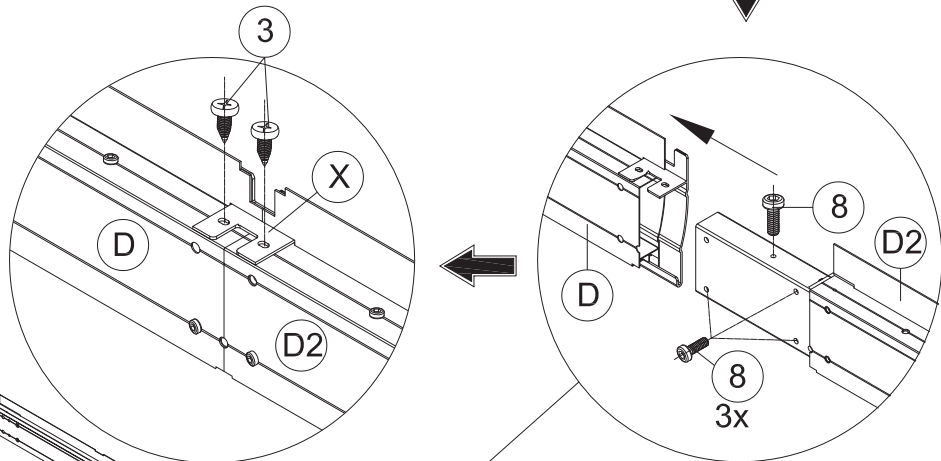
(4) Secure Part X with 2 Bolts #3.

(5) Repeat the above procedures to assemble the other Part #C and Part #C1.

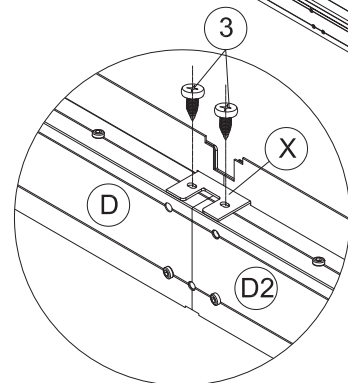
(1) Insert Part #X into Part #D;



(2) Insert one side of Part #D2 into Part #D and secure with 4 Bolts #8.



(3) Insert Part #X into Part #D1;
insert the other side of
Part #D2 into Part #D1
and secure with 4 Bolts #8.



(4) Secure Part #X with 2 Bolts #3.

(5) Repeat the above procedures to assemble the other Part #D and Part #D1.



S6

1 1x



M6x15

4 16x



M6x15

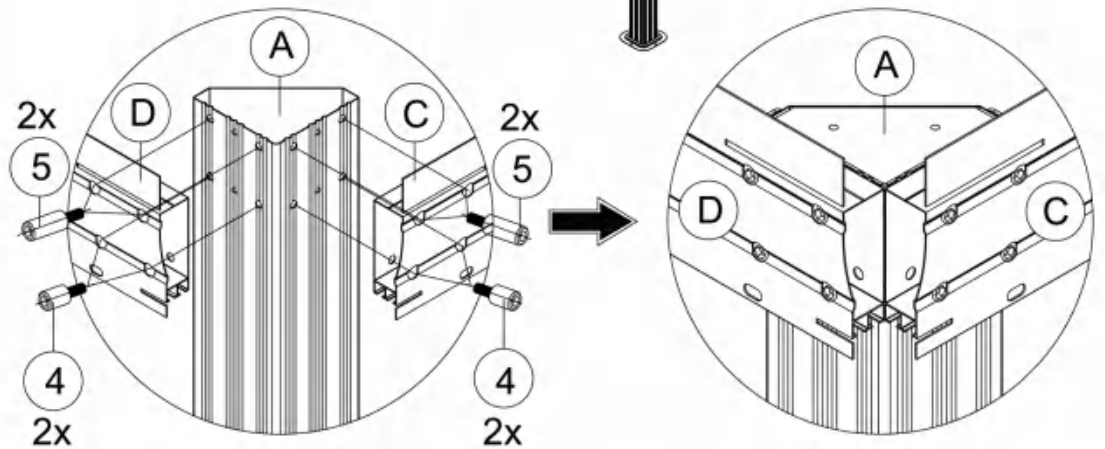
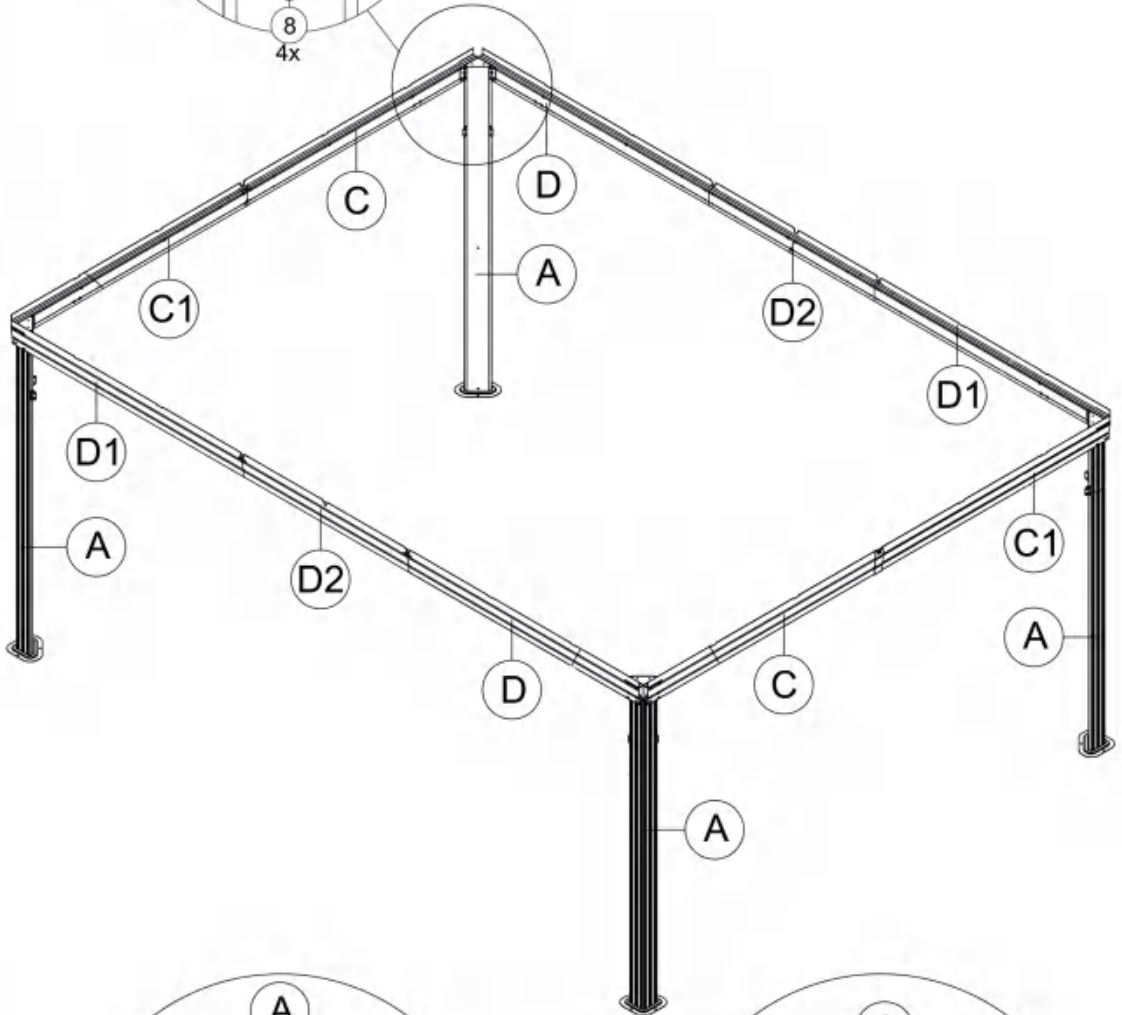
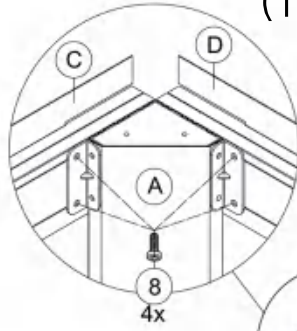
5 16x



M6x16

8 16x

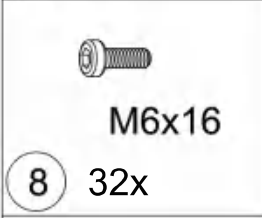
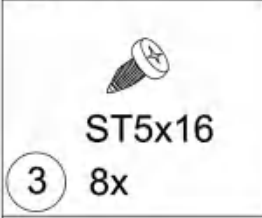
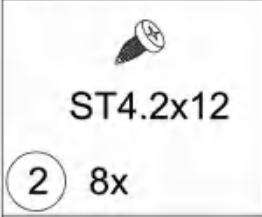
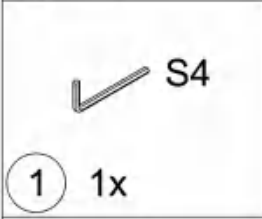
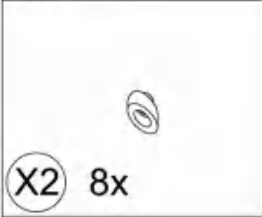
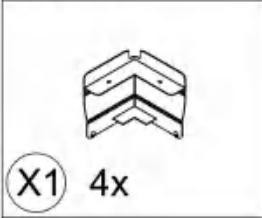
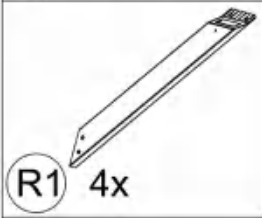
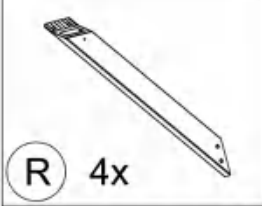
(1) Connect Part #C/C1 and #D/D1 to Part #A with 4 Bolts #8. (From Inside)



(2) Connect Part #C/C1 and #D/D1 to Part #A with 4 Bolts #4 and 4 Bolts #5. (From Outside)

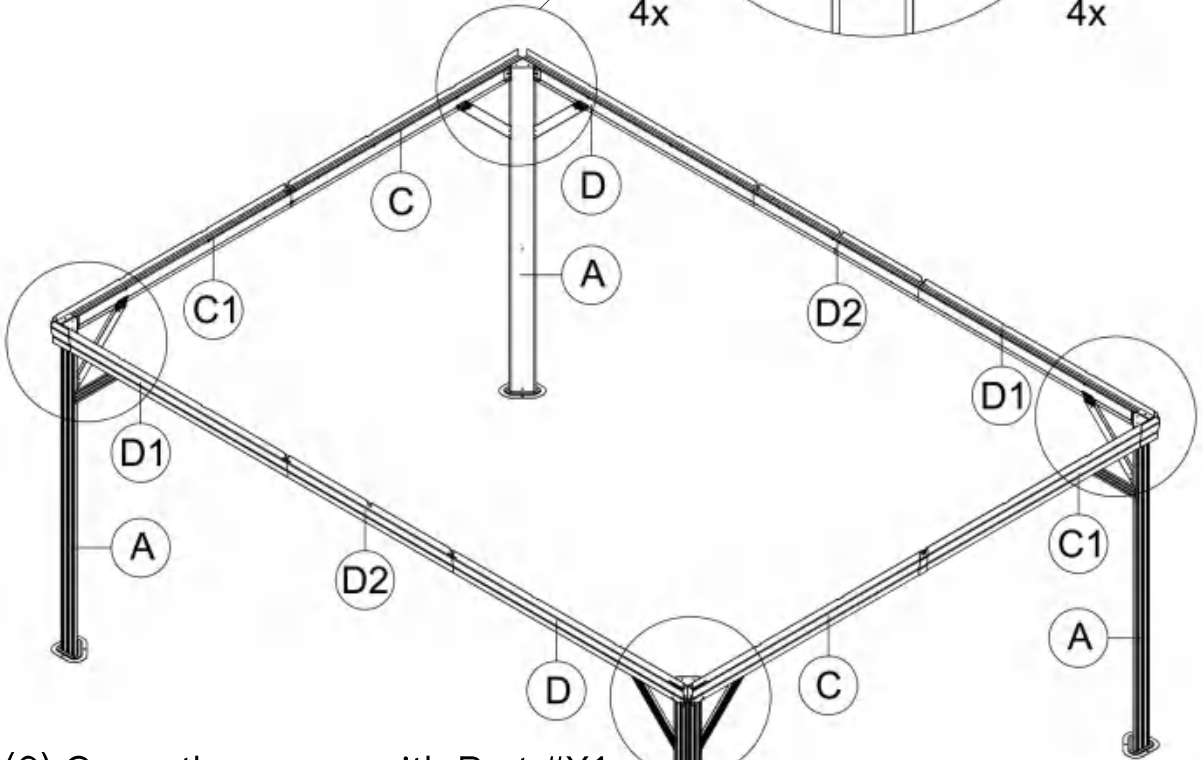
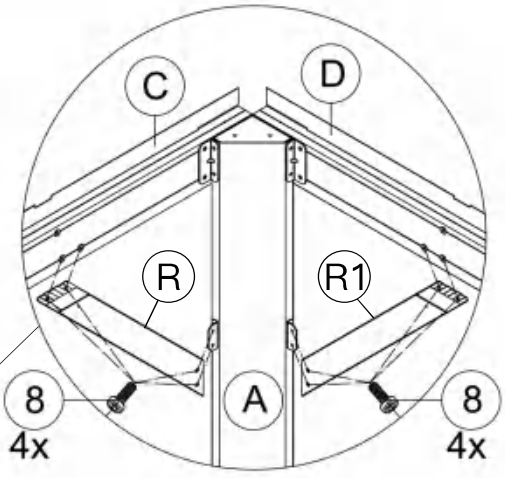
(3) Repeat the above procedures to assemble the other three corners.

▲ Please don't tighten all the bolts.

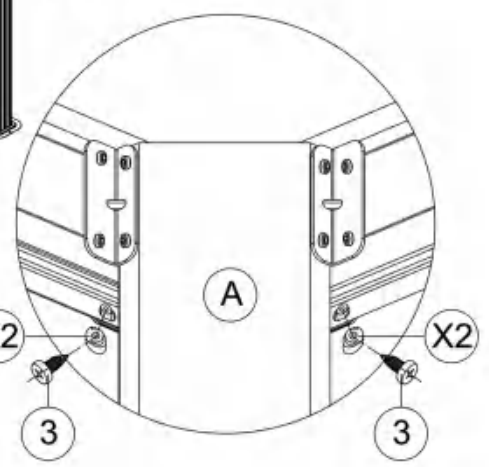
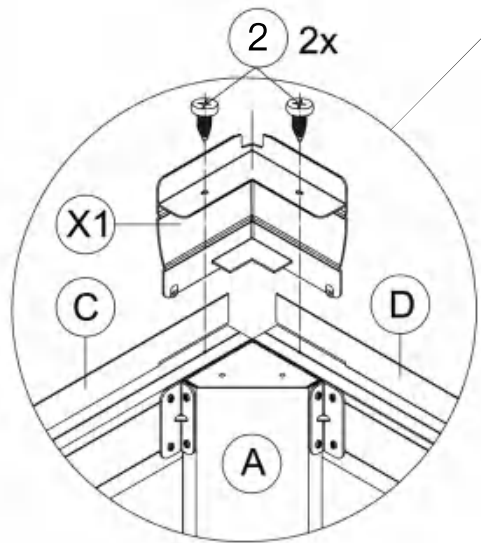


9

(1) Affix Part #R and #R1 to the frame with 8 Bolts #8.



(2) Cover the corner with Part #X1 and secure with 2 Bolts #2.



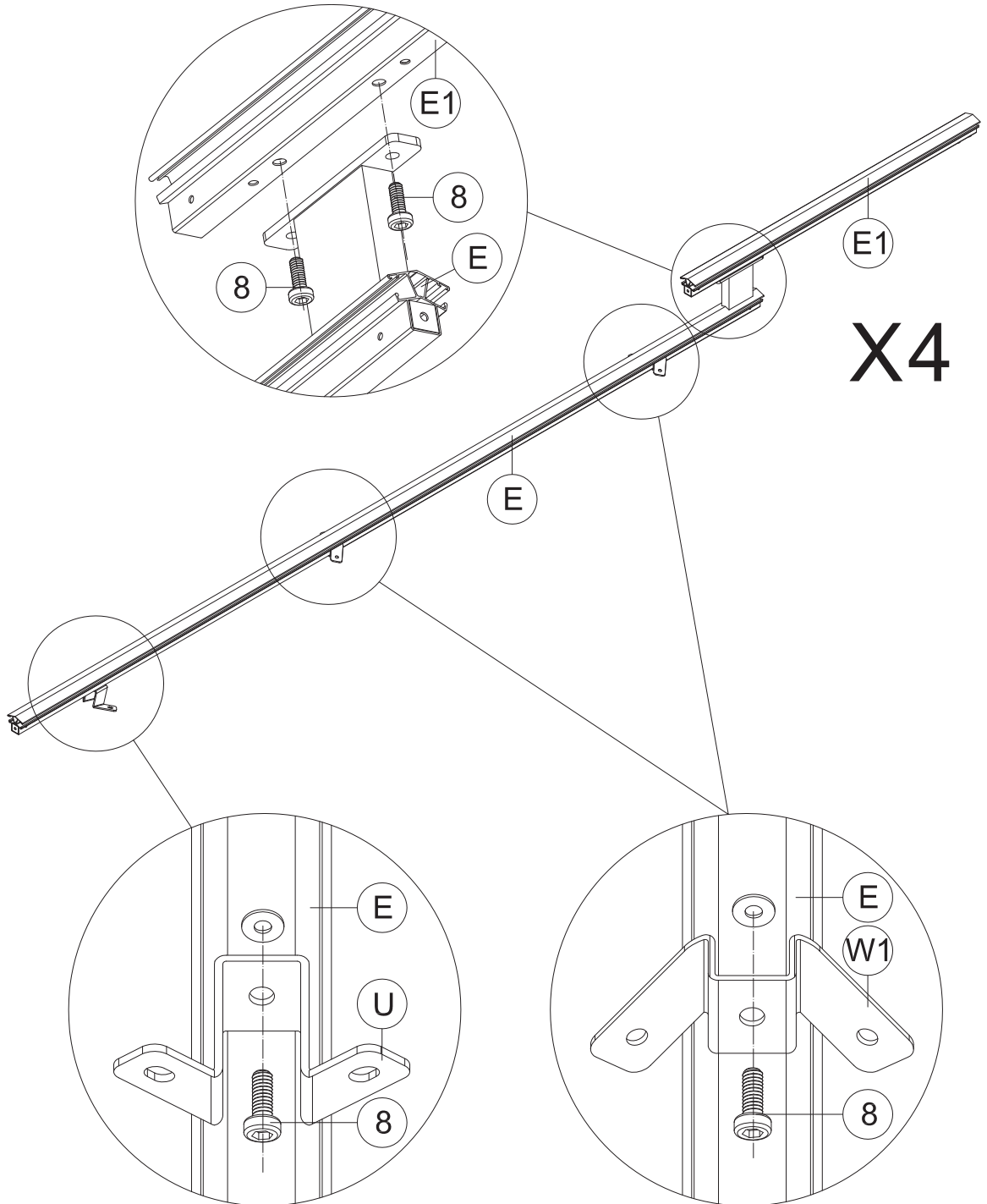
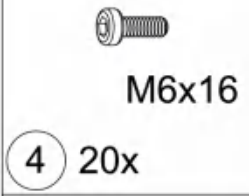
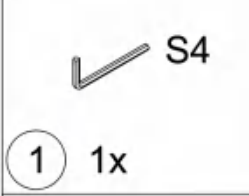
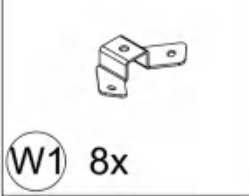
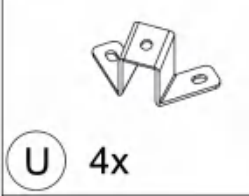
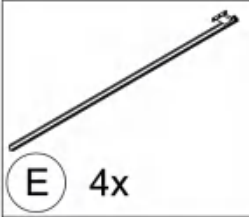
(3) Put Part #X2 on the protruding place and secure with 2 Bolts #3. (From Inside)

(4) Repeat the above procedures to assemble the other three corners.

▲ Tighten all the bolts.

Assemble the 4 corner Roof Bar:

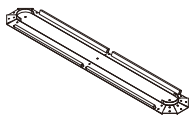
(1) Connect Part #E1 and Part #E with 2 Bolts #8 .



(2) Attach Part #U to Part #E with Bolts #8.

(3) Attach 2 Part #W1 to Part #E with 2 Bolts #8.

(4) Repeat the above procedures to assemble the other sides.



S 1x



1 1x

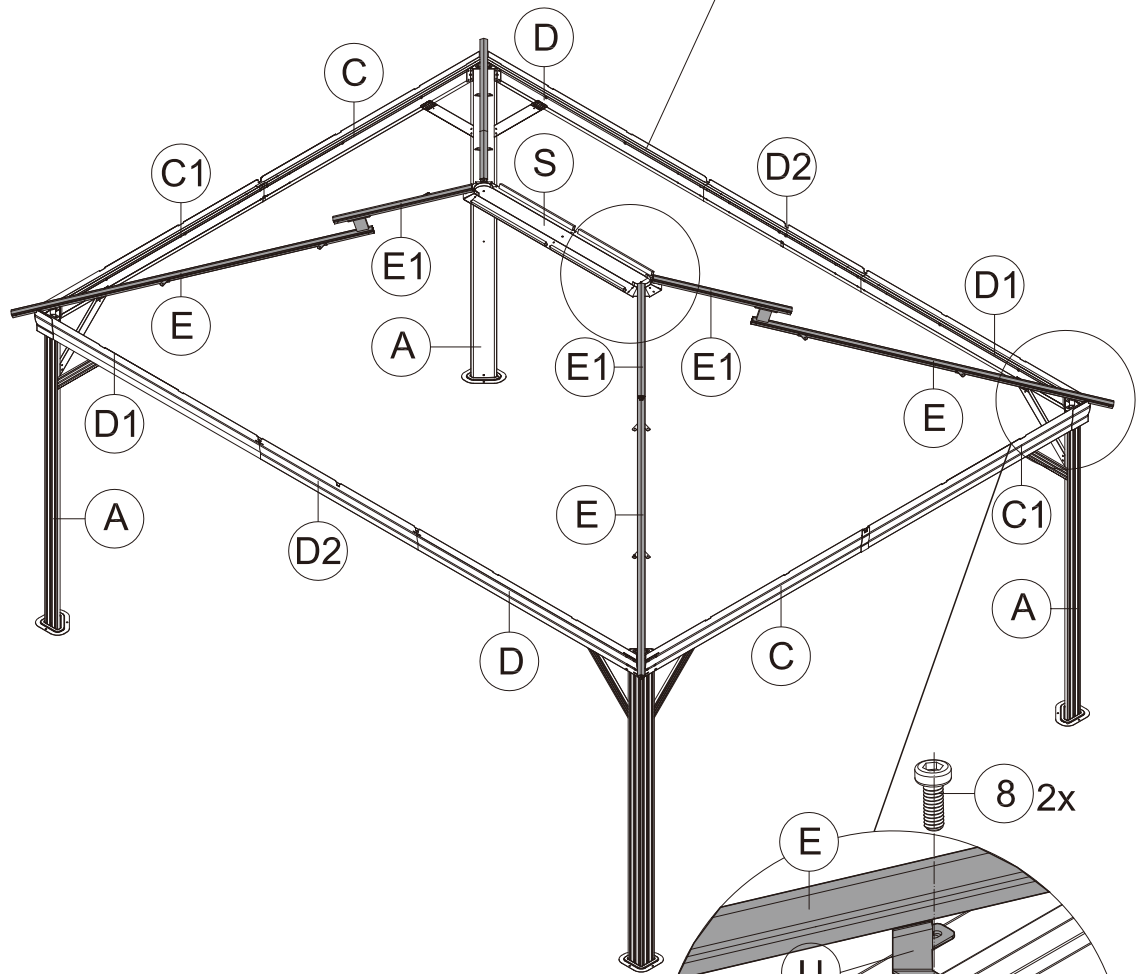
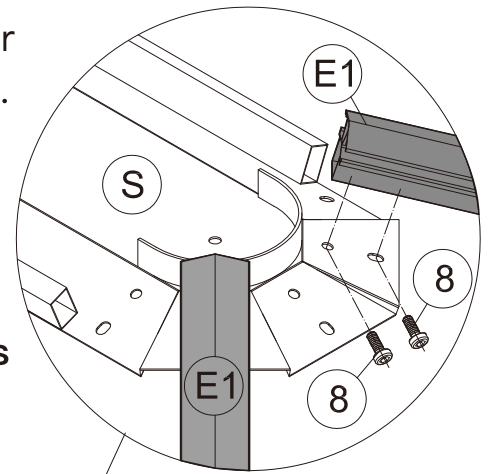


M6x16

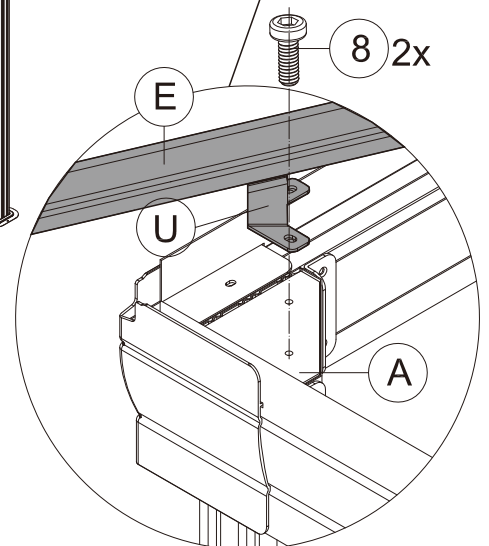
8 16x

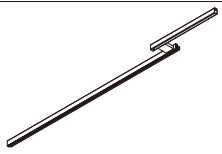
- (1) Please have a freestanding ladder ready at the center of the gazebo.
- (2) Place 4 Part #E1 on 4 corners of part #S; secure with 8 Bolts #8 (from bottom to top)

ATTENTION: You can also finish this step on the ground and then lift 4 corner roof bar and inside roof connector to the top together. (Need 2 people and 2 ladder)

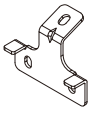


- (3) Place 4 Part #E on 4 Part #A; secure with 8 Bolts #8.





E2 2x



U1 2x



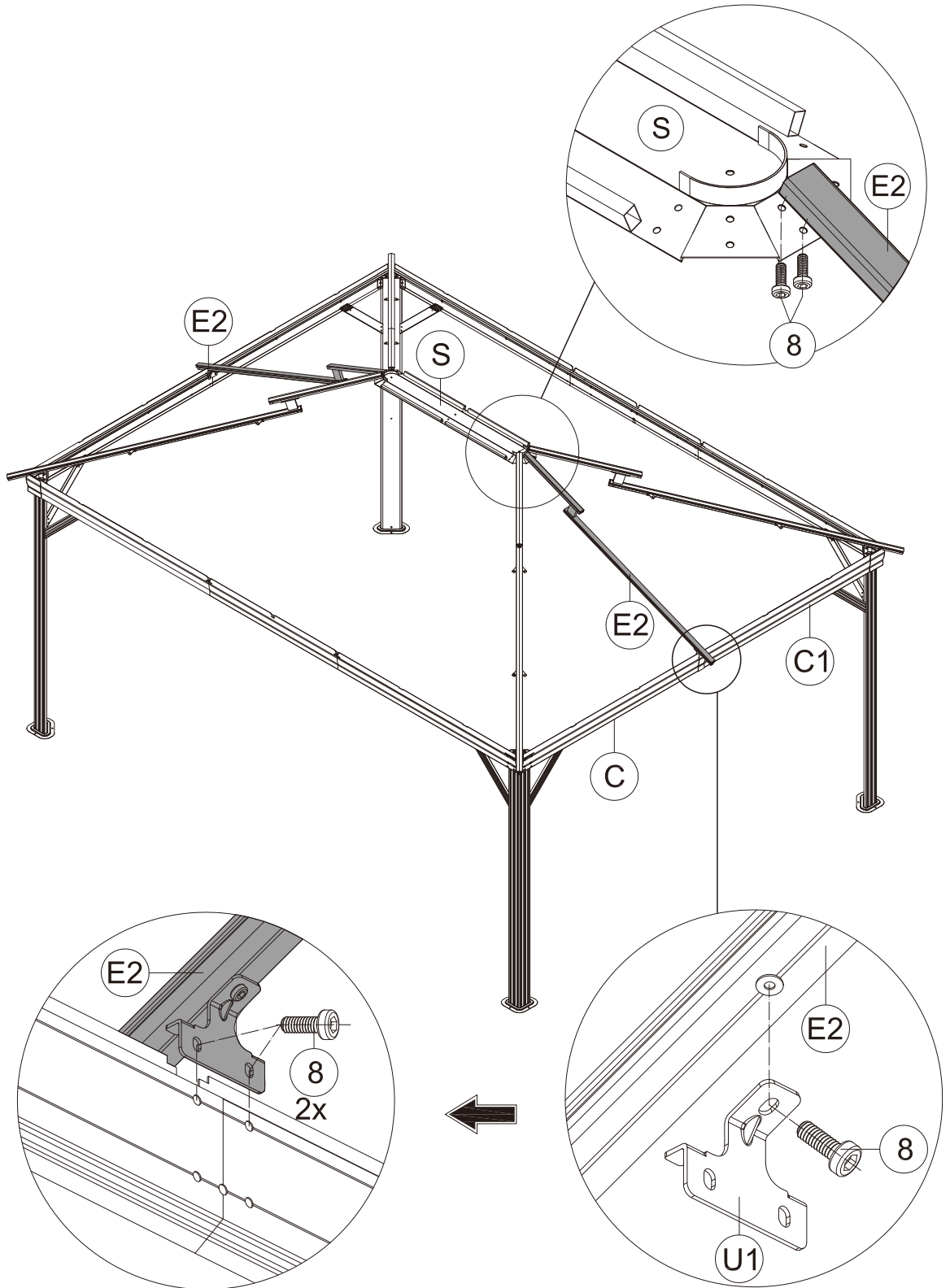
1 1x



M6x16

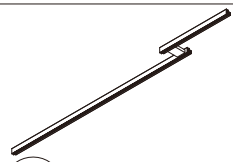
8 10x

(1) Place Part #E2 on part #S;
secure with 2 Bolts #8 (from bottom to top).

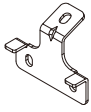


(2) Connect Part #E2 and the Assembled Beam (C/C1)
with part #U1; secure with 3 Bolts #8 .

(3) Repeat the above procedures to assemble another side.



(E3) 2x



(U1) 2x



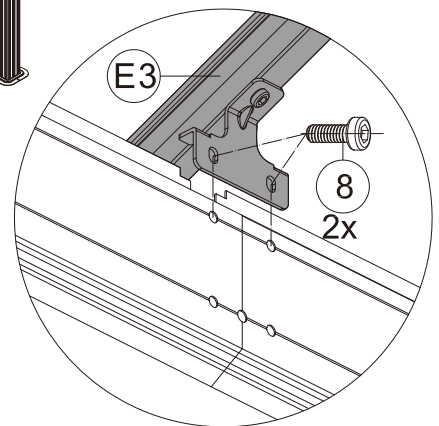
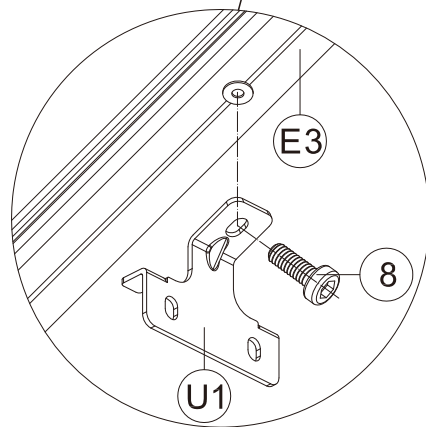
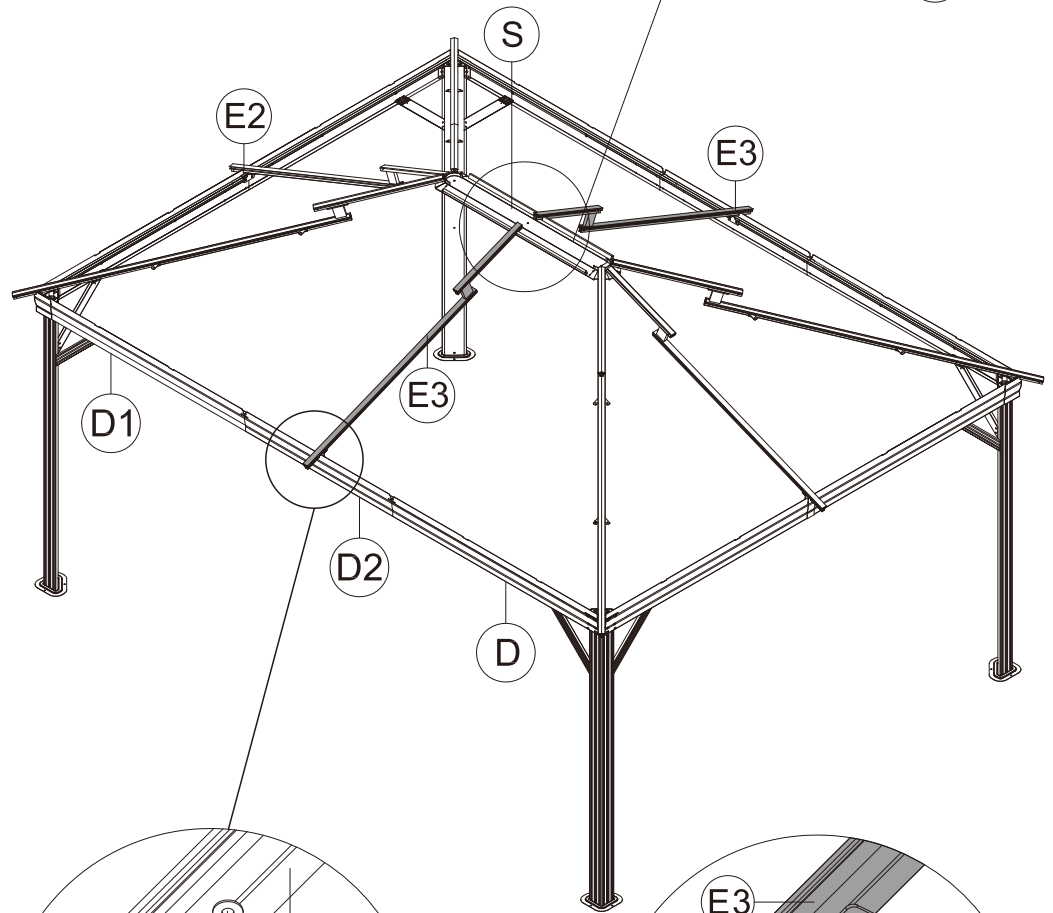
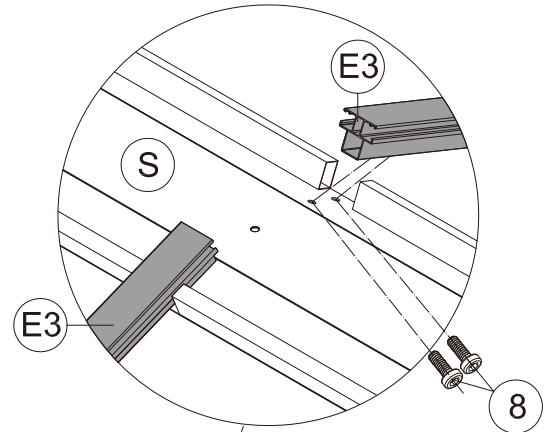
(1) 1x



M6x16

(8) 10x

(1) Place Part #E3 on Part #S; secure with 2 Bolts #8 (from bottom to top).



(2) Connect Part #E3 and the Assembled Beam (D1/D2/D) with part #U1; secure with 3 Bolts #8.

(3) Repeat the above procedures to assemble another side.



E2 4x



U1 4x



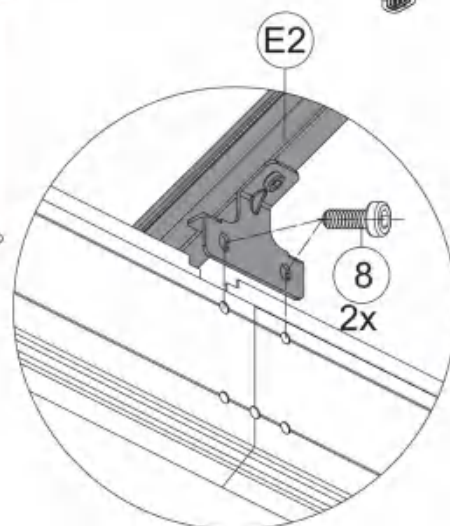
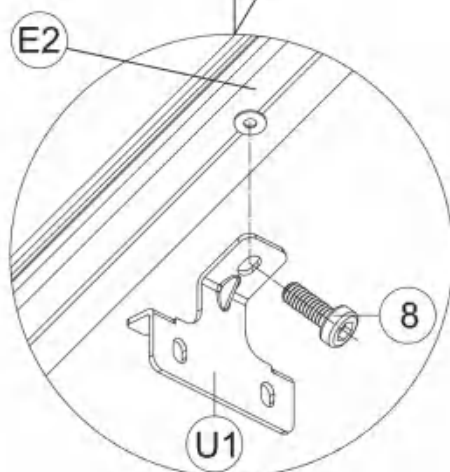
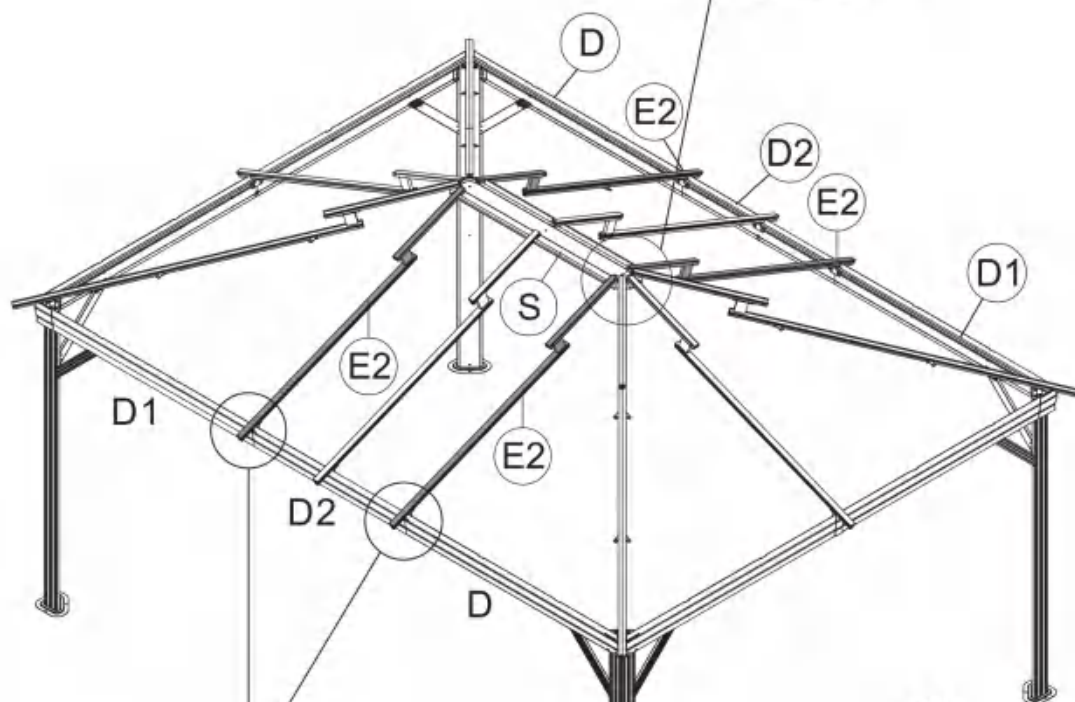
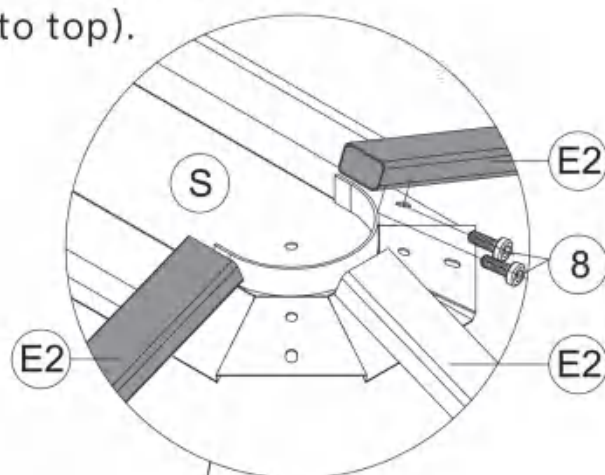
1 1x



M6x16

8 20x

(1) Place 2 Part #E2 on Part #S; secure with 4 Bolts #8 (from bottom to top).



(2) Connect 2 Part #E2 and the Assembled Beam (D1/D2/D) with part #U1; secure with 6 Bolts #8.

(3) Repeat the above procedures to assemble another side.



F 4x



F1 4x



F2 4x



F3 4x



U2 16x



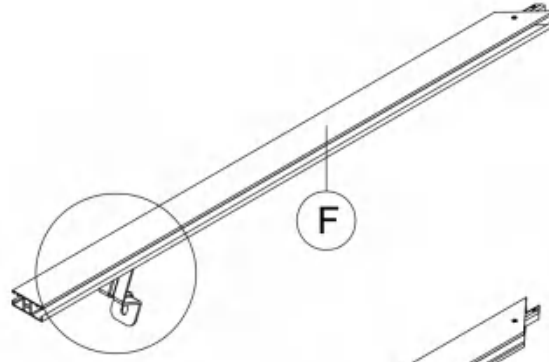
1 1x



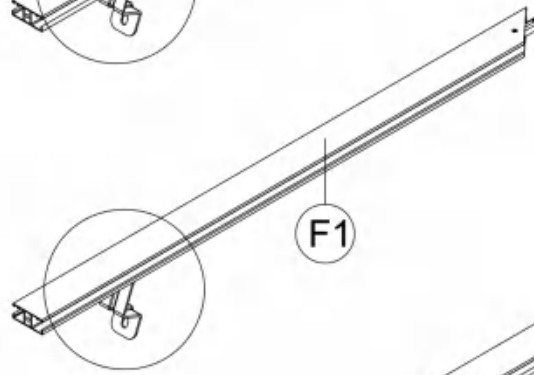
M5x12

6 16x

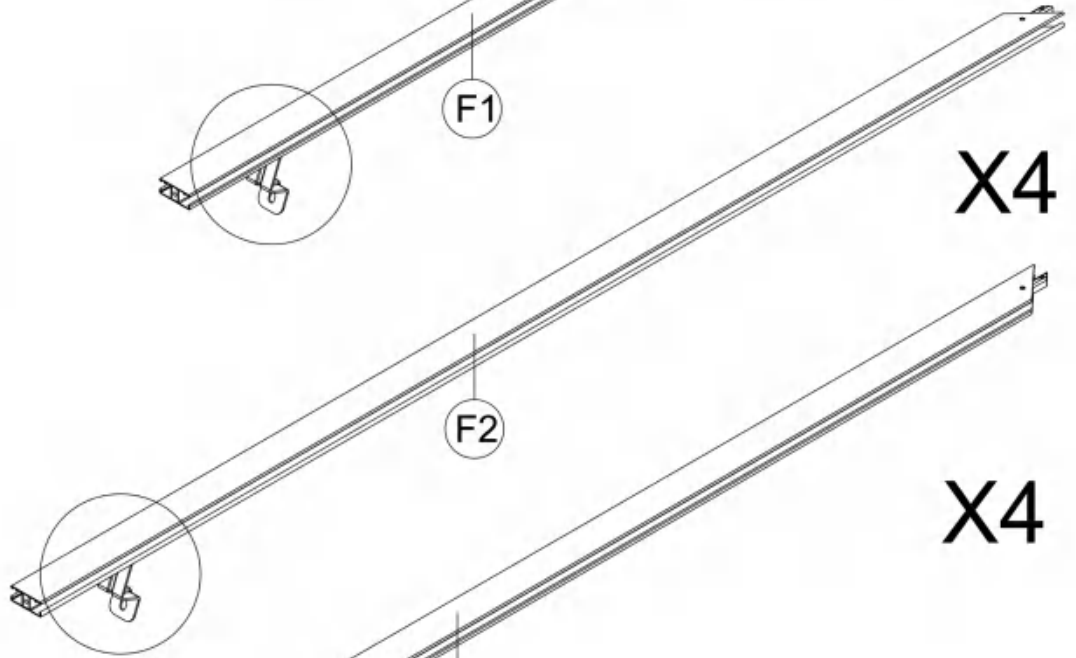
15



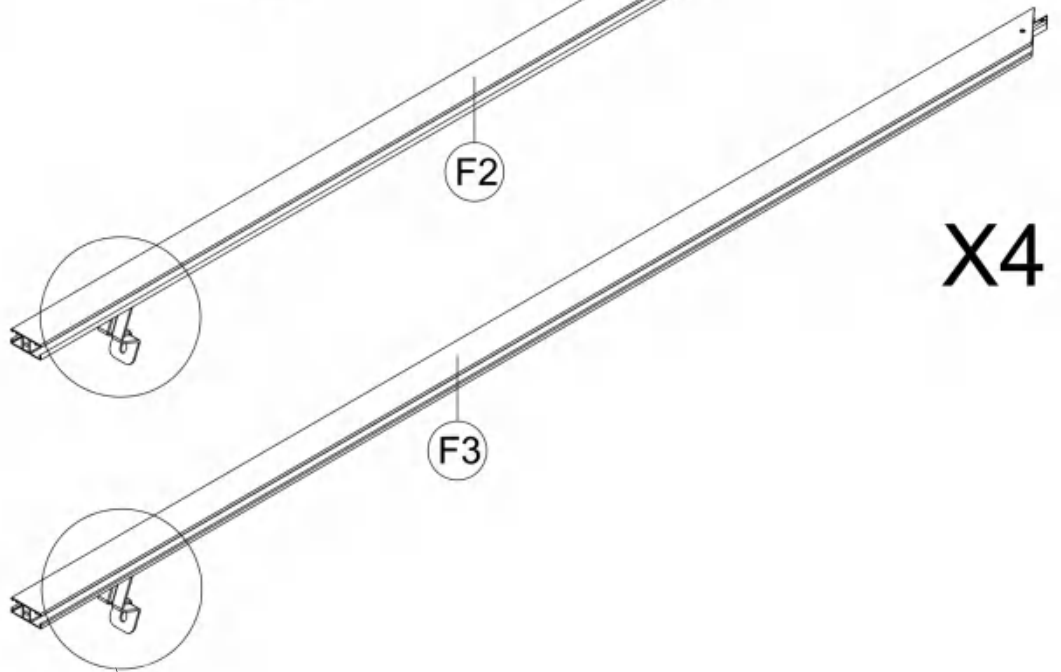
X4



X4



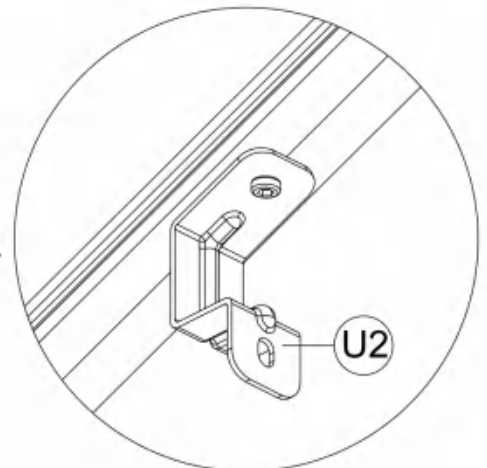
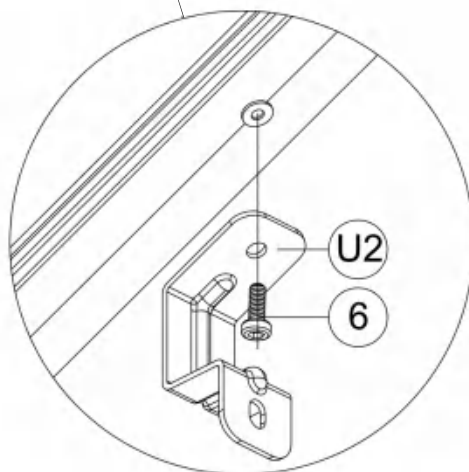
X4



X4

(1) Attach Part #U2 to Part #F/F1/F2/F3 with Bolts #6.

(2) Repeat the above procedures to assemble the other 3 pieces.



✓ S4

(1) Insert Part #F2 and Part #F3 into Part #E;
secure with 2 Bolts #6.

1 1x

6 8x

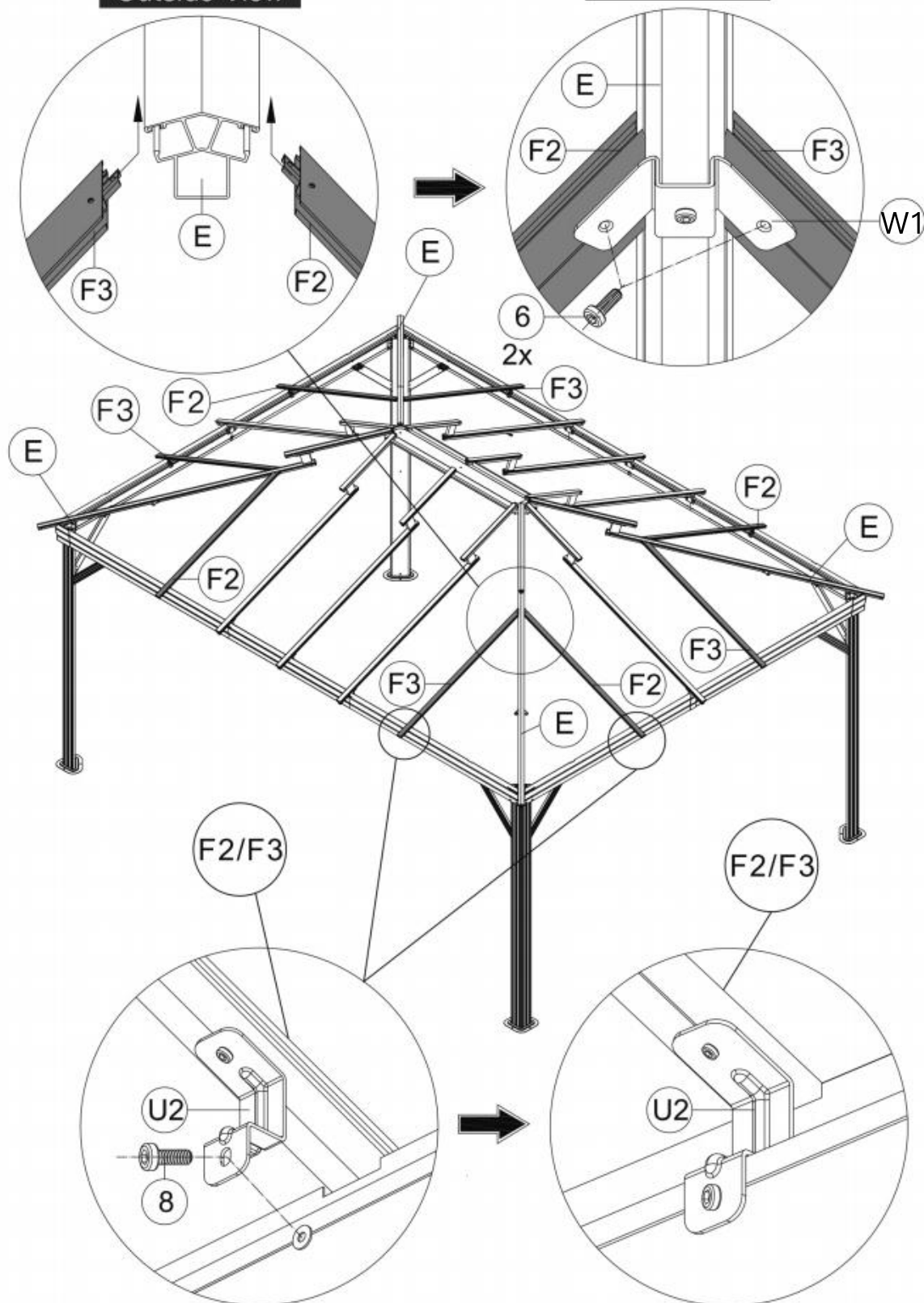
8 8x

M5x12

M6x16

Outside View

Inside View



(2) Connect Part #F2/F3 and the Assembled Beam
with Part #U2; secure with Bolts #8.

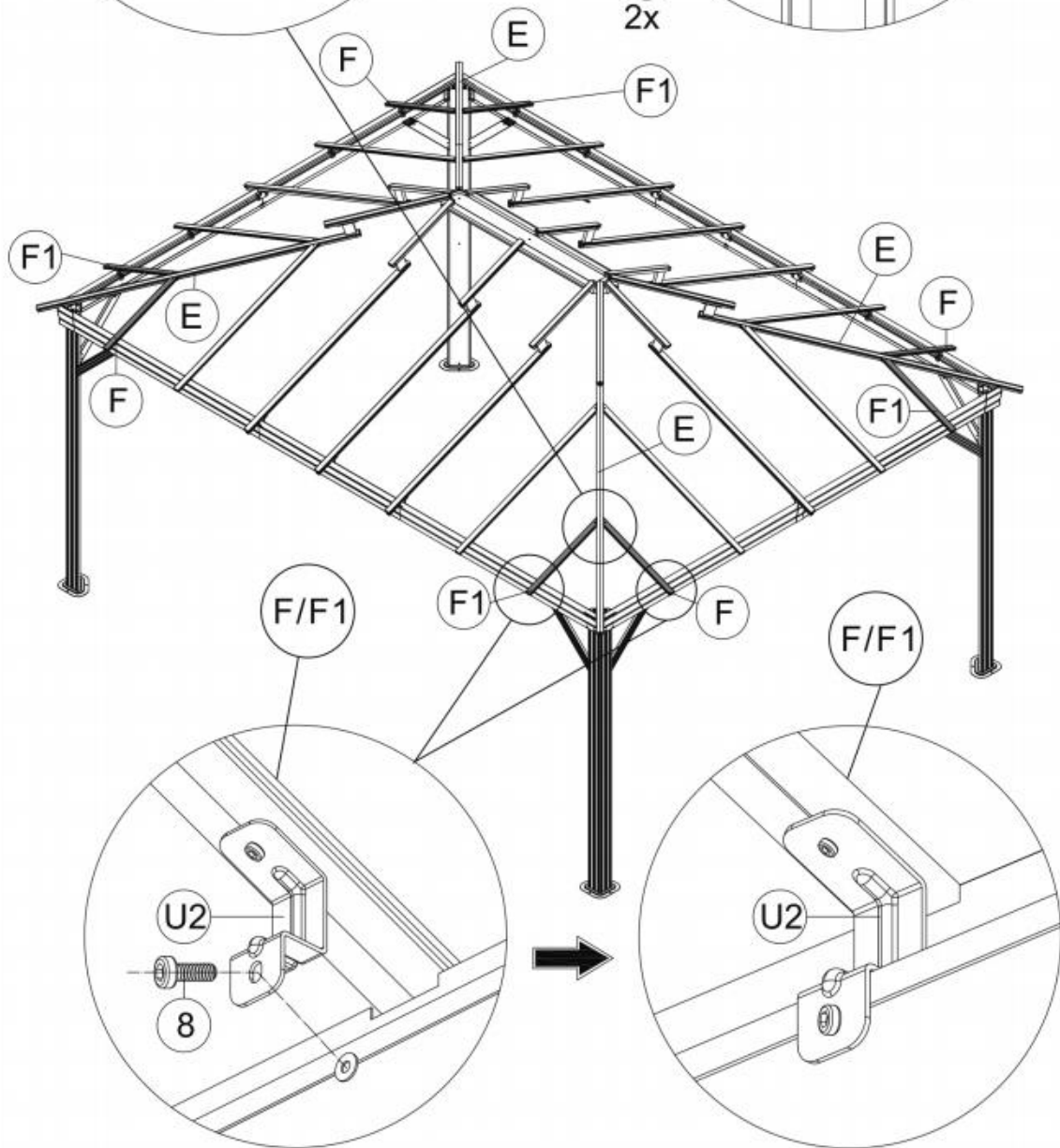
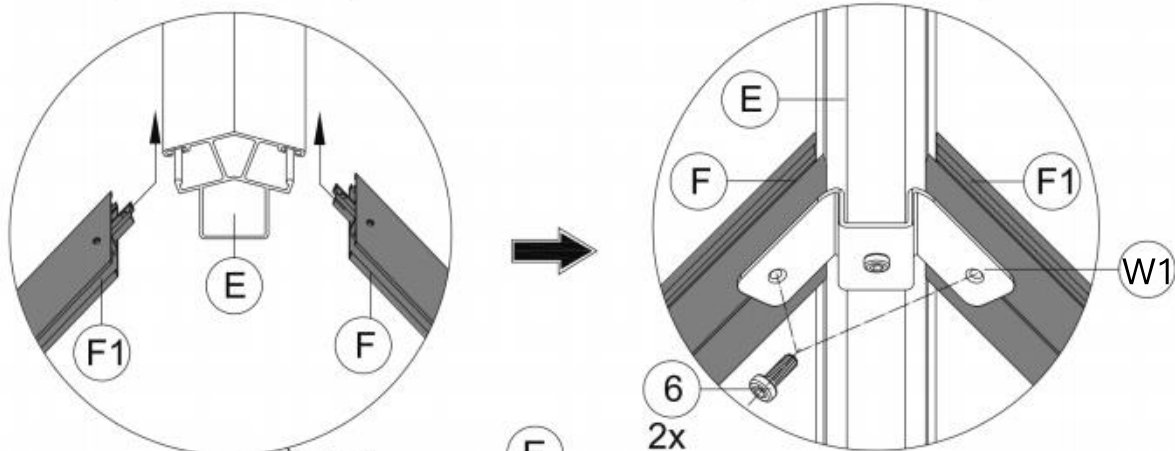
(3) Repeat the above procedures to assemble
the other three sides.

✓ S4

(1) Insert Part #F and Part #F1 into Part #E;
secure with 2 Bolts #6.

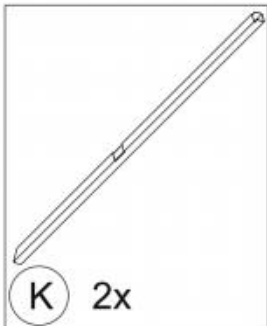
Outside View

Inside View

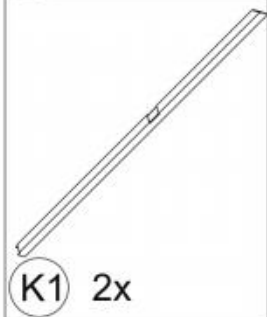


(2) Connect Part #F/F1 and the Assembled Beam
with Part #U2; secure with Bolts #8.

(3) Repeat the above procedures to assemble
the other three sides.



K 2x



K1 2x



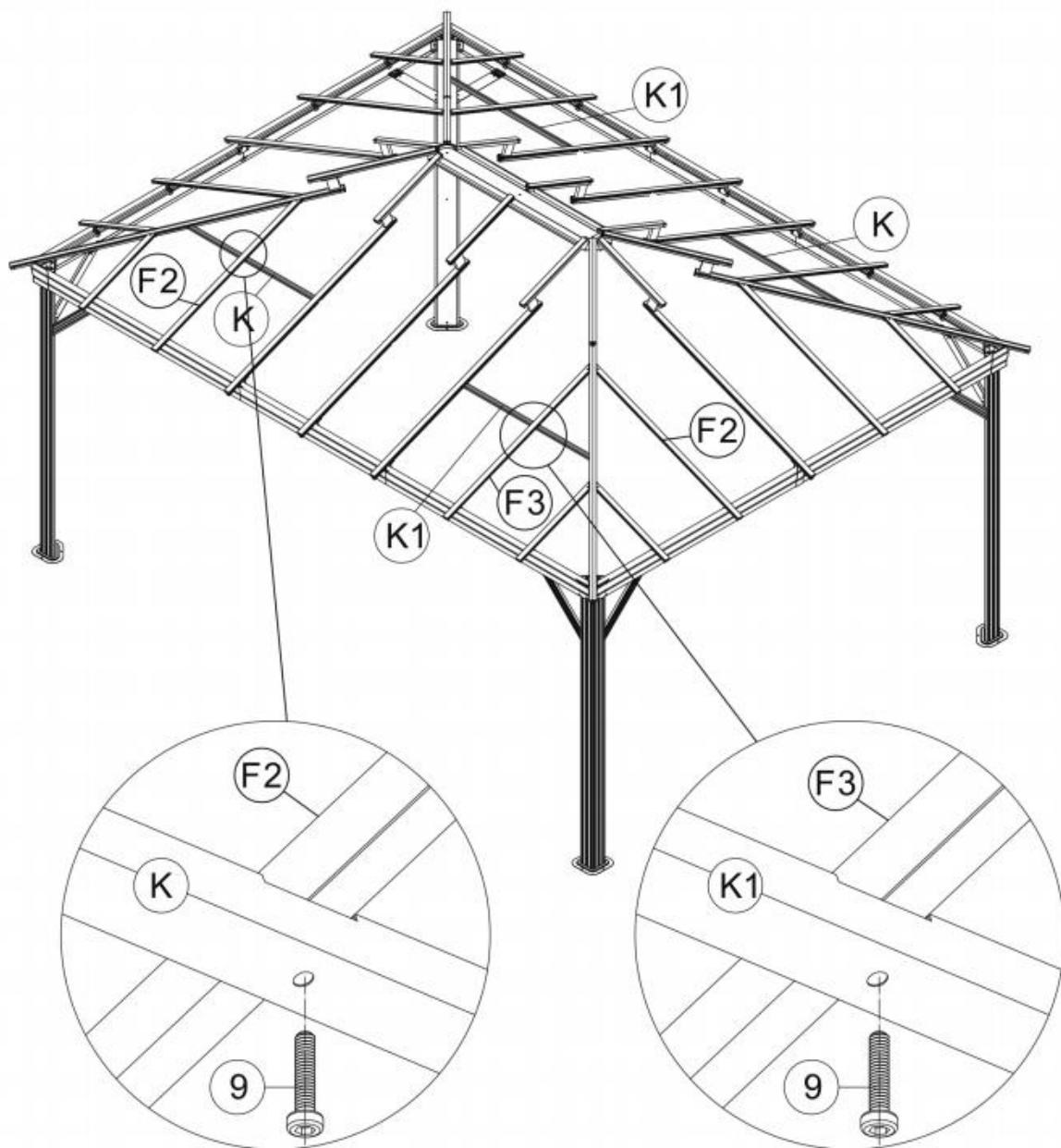
S4

1 1x



M5x32

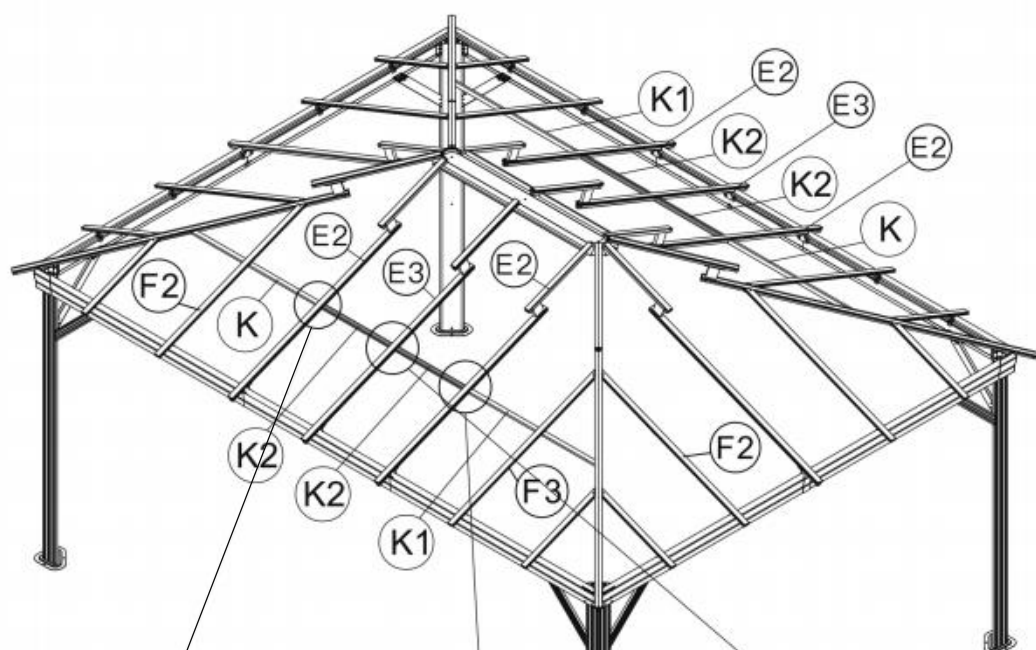
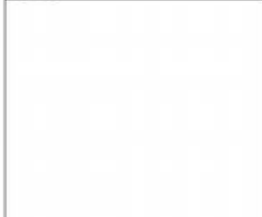
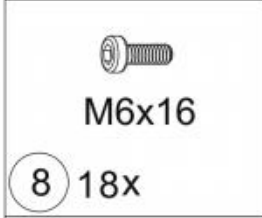
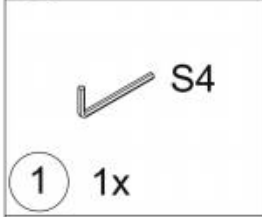
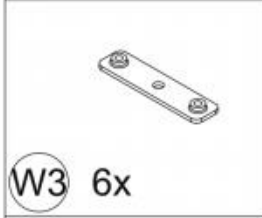
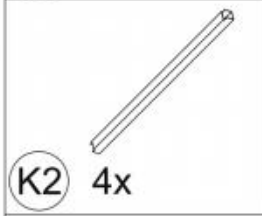
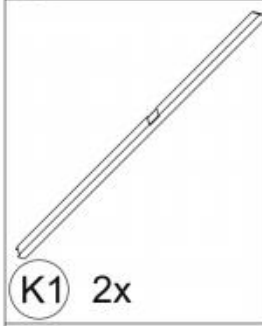
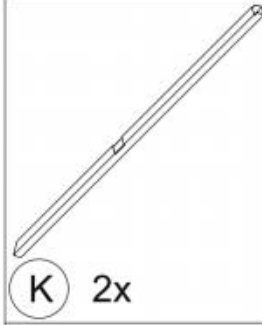
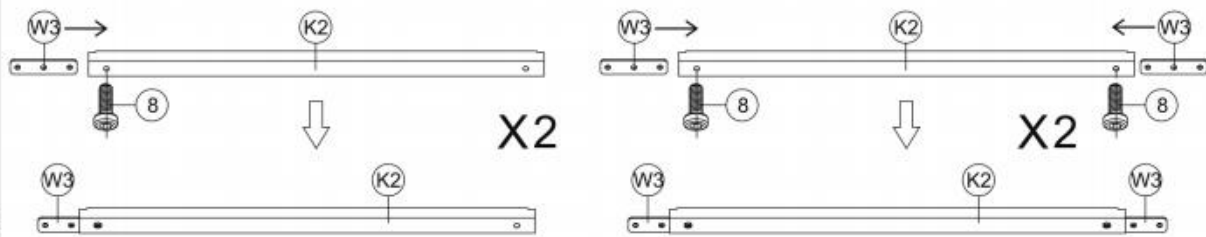
9 4x



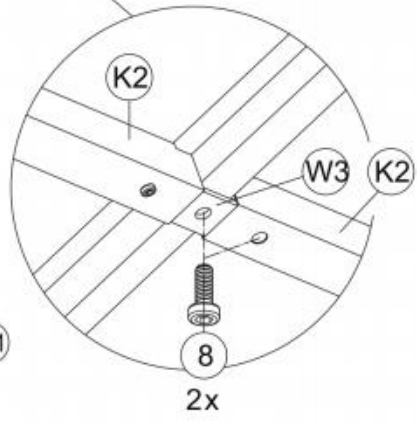
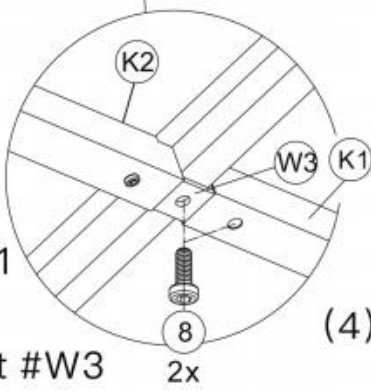
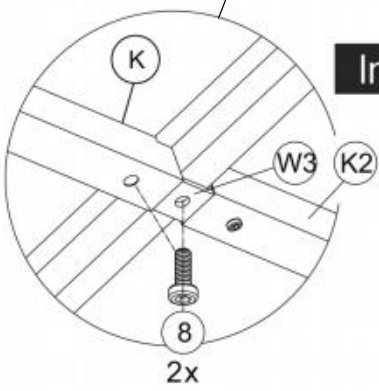
Inside View

(1) Attach Part #K/K1 to Part #F2/F3 with Bolts #9.

(2) Insert Part #W3 to K2 and secure with Bolts #8.



Inside View

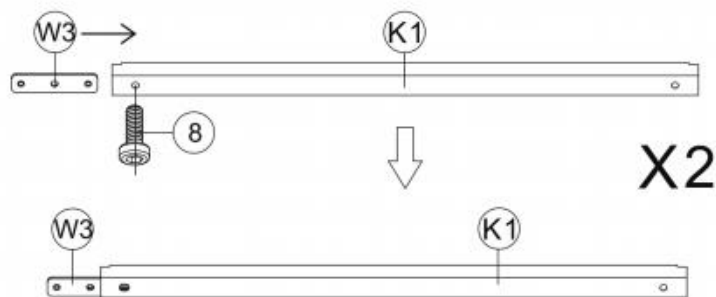


(3) Attach Part #K/K1 and Part #K2 to Part #E2 with Part #W3 and 2 Bolts #8.

(4) Attach Part #K2 and Part #K2 to Part #E3 with Part #W3 and 2 Bolts #8.

(5) Repeat the above procedures to assemble another side.

(1) Insert Part #W3 to K2 and secure with Bolts #8.



K 2x

K1 2x

W3 2x

S4

1 1x

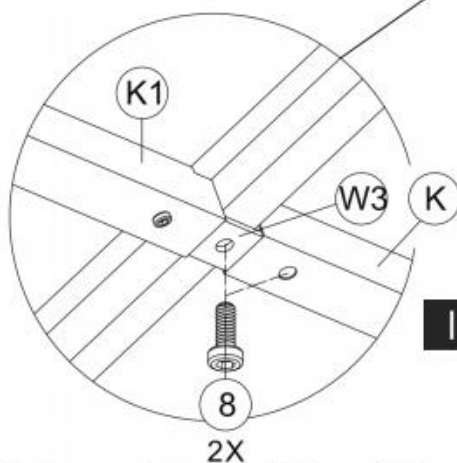
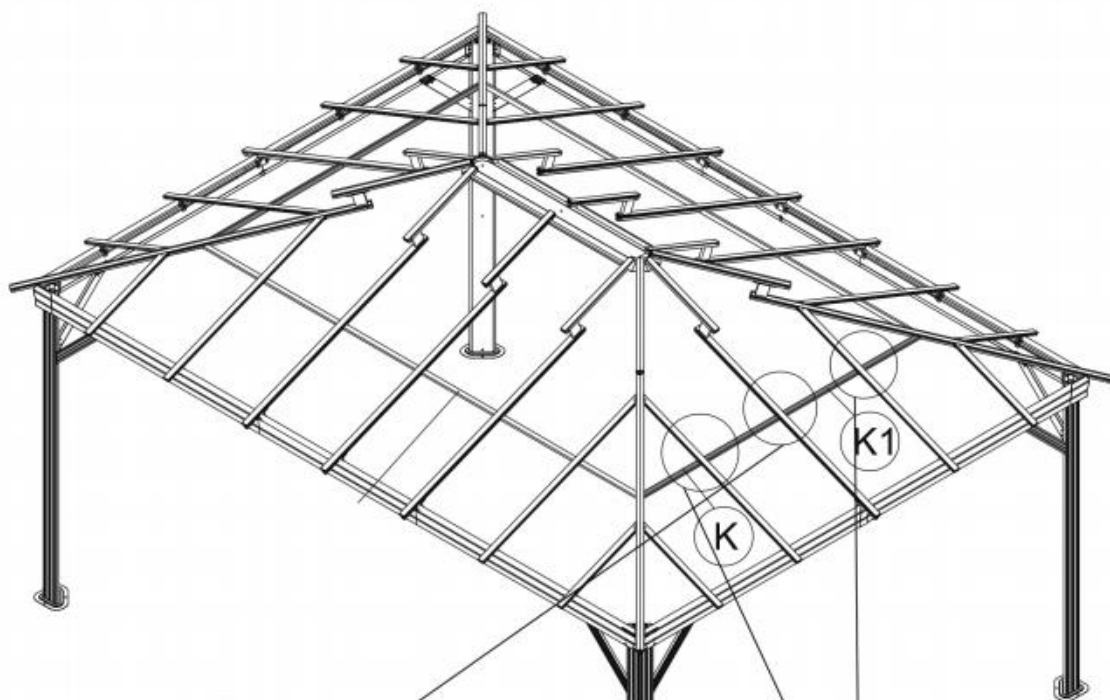
M6x16

8 6x

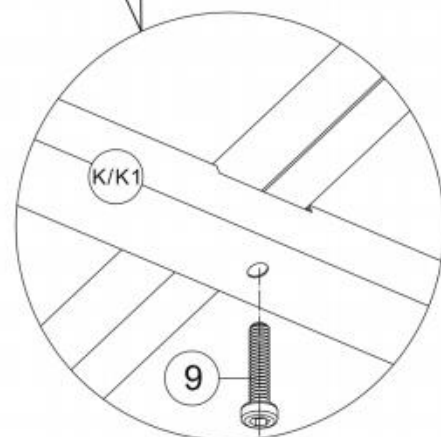
M5x32

9 4x

20



Inside View



(2) Attach Part #K and Part #K1 to Part #E3 with Part #W3 and Bolts #8.

(3) Connect Part #K/K1 and Part #F2/F3 with Bolts #9.

(4) Repeat the above procedures to assemble another side.



W2 4x

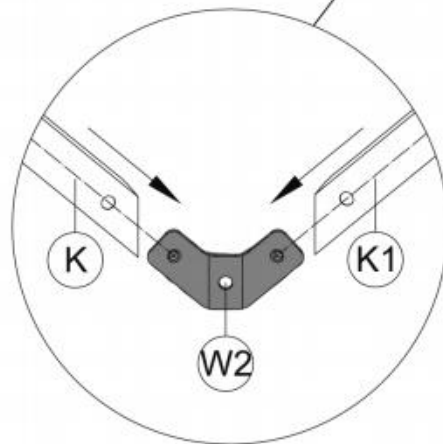
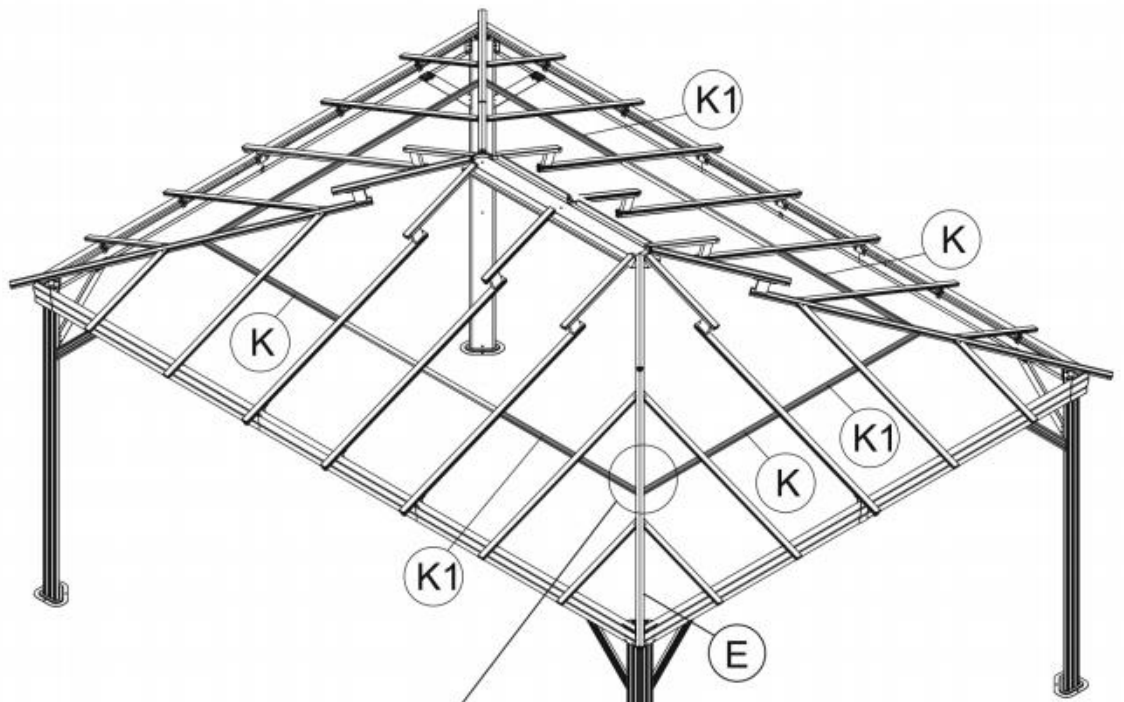


1 1x

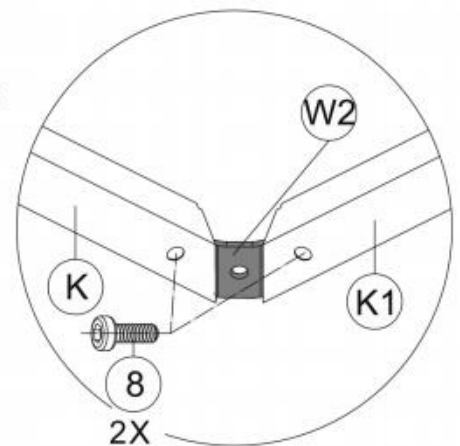


M6x16

8 12x



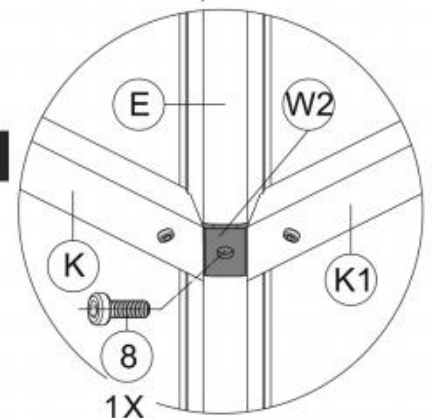
(1) Insert Part #W2 into Part #K1 and Part #K.



(2) Secure with 2 Bolts #8.

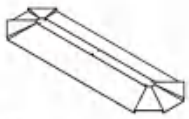


Inside View



(3) Secure them to Part #E with Bolts #8.

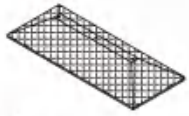
(4) Repeat the above procedures to assemble the other three sides.



(S1) 1x



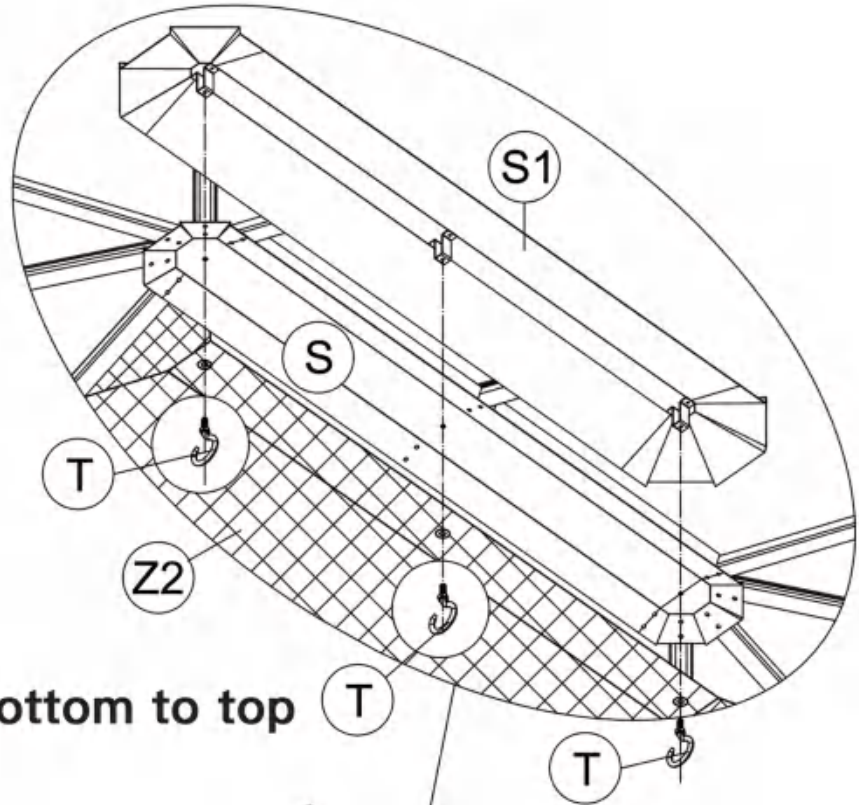
(T) 3x



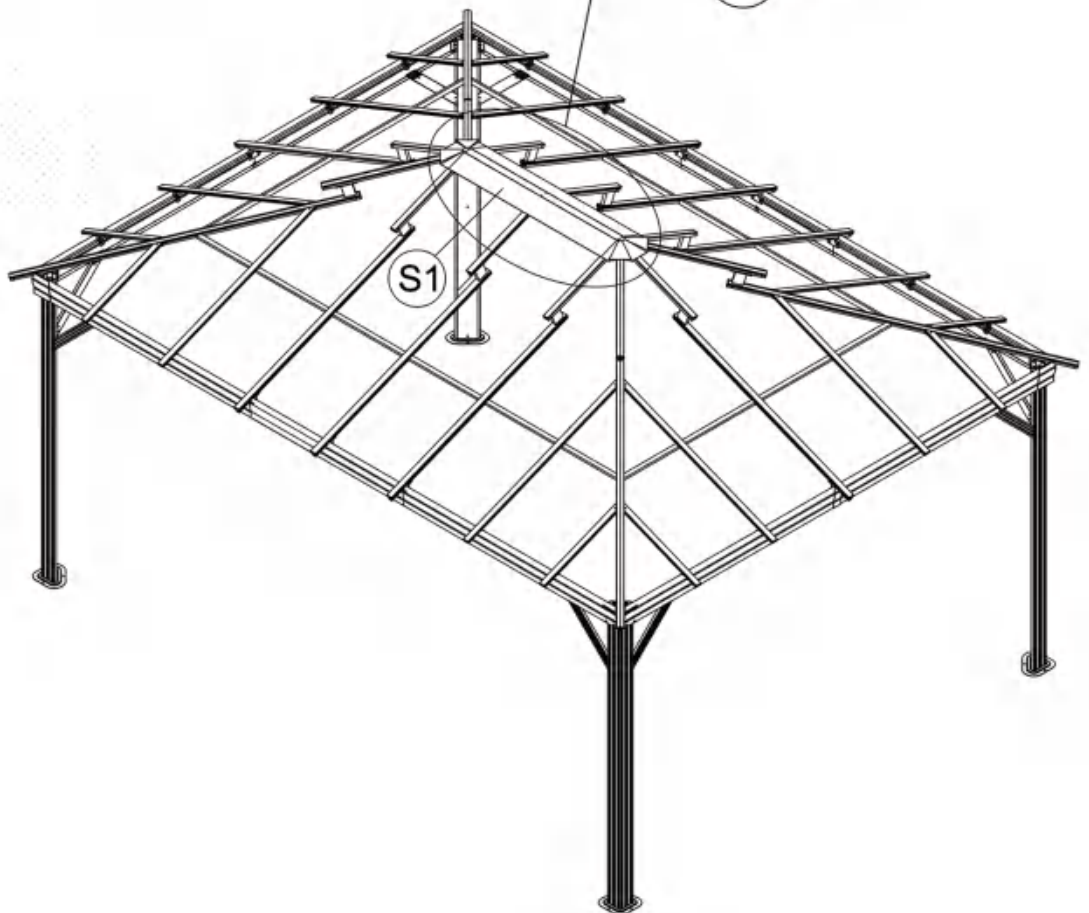
(Z2) 1x

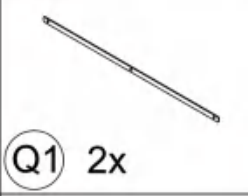
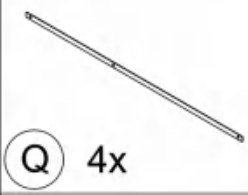
Secure Part #T to Part #Z2, Part #S and Part #S1.

ATTENTION: The holes of Part #Z2, Part #S and Part #S1 need to be aligned, on the same vertical line.

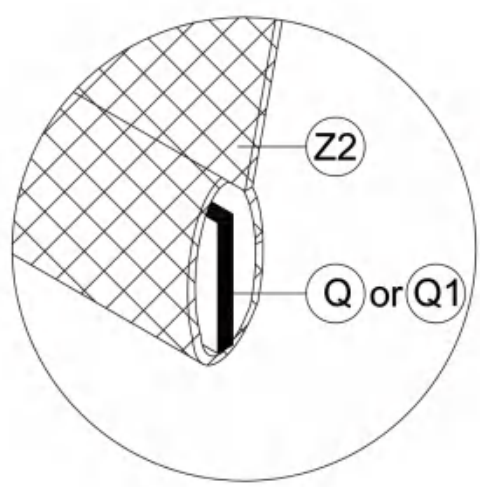
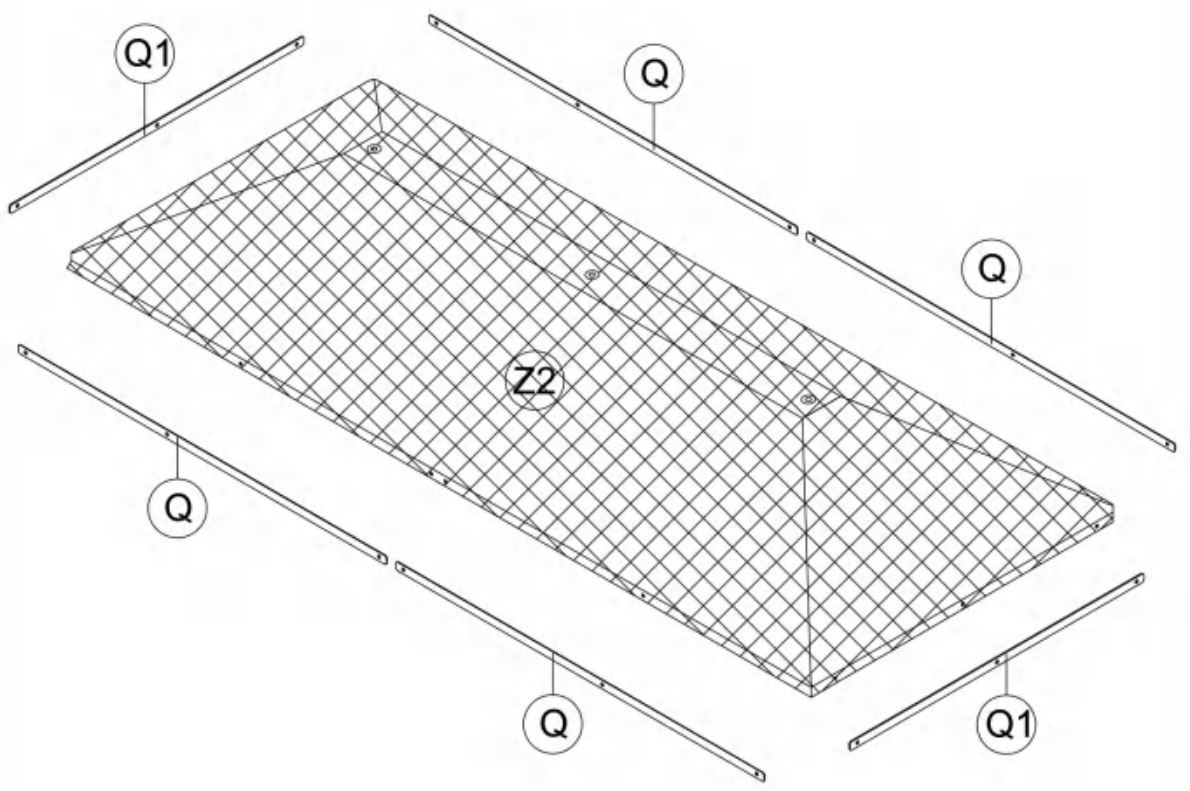


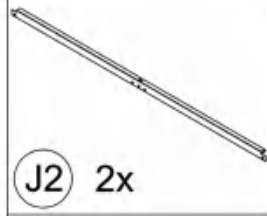
From bottom to top



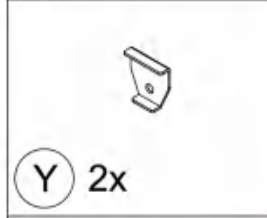


Insert Part #Q/Q1 into the hole that around the edge of Part #Z2 .

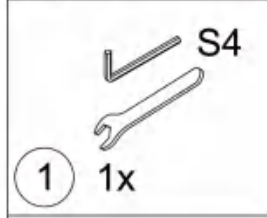




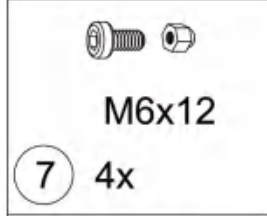
J2 2x



Y 2x



1 1x



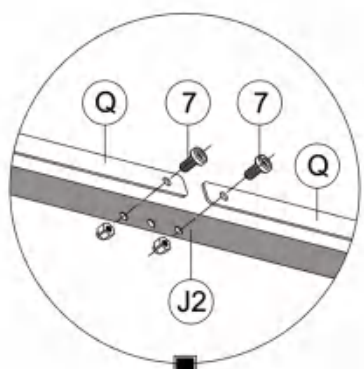
M6x12

7 4x

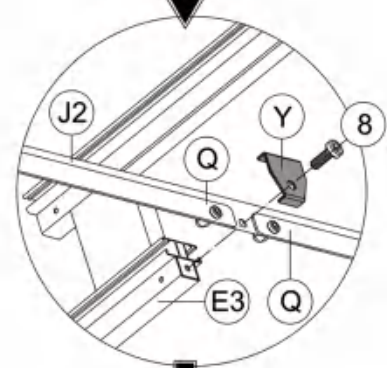


M6x16

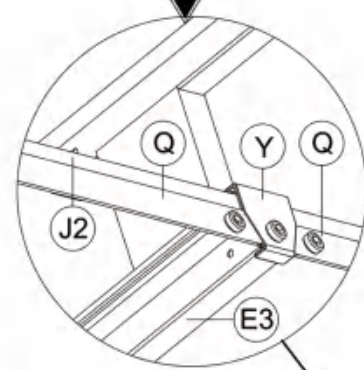
8 2x



(1) Attach Part #Q to Part #J2 with 2 Bolts and Nuts #7.

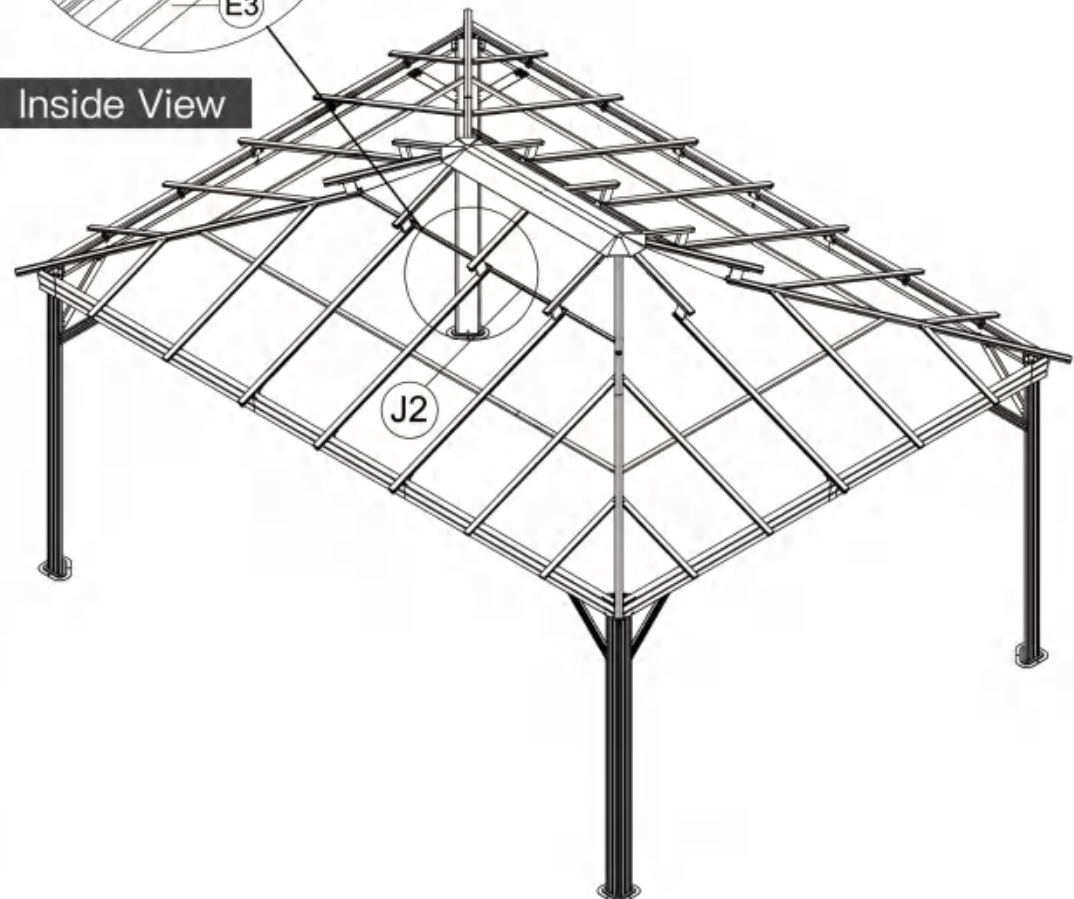


(2) Place Part #Y on Part #J2 and Part #E3, securing with Bolt #8.



(3) Repeat these procedures to assemble the another side.

Inside View





J 2x



J1 2x



Y 4x



1 1x

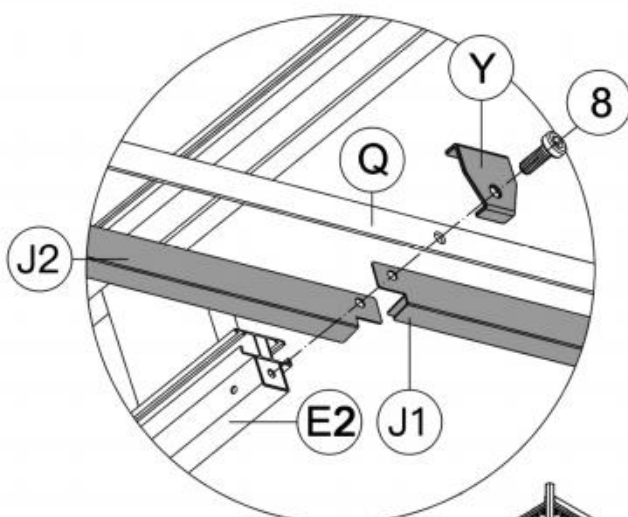


M6x16

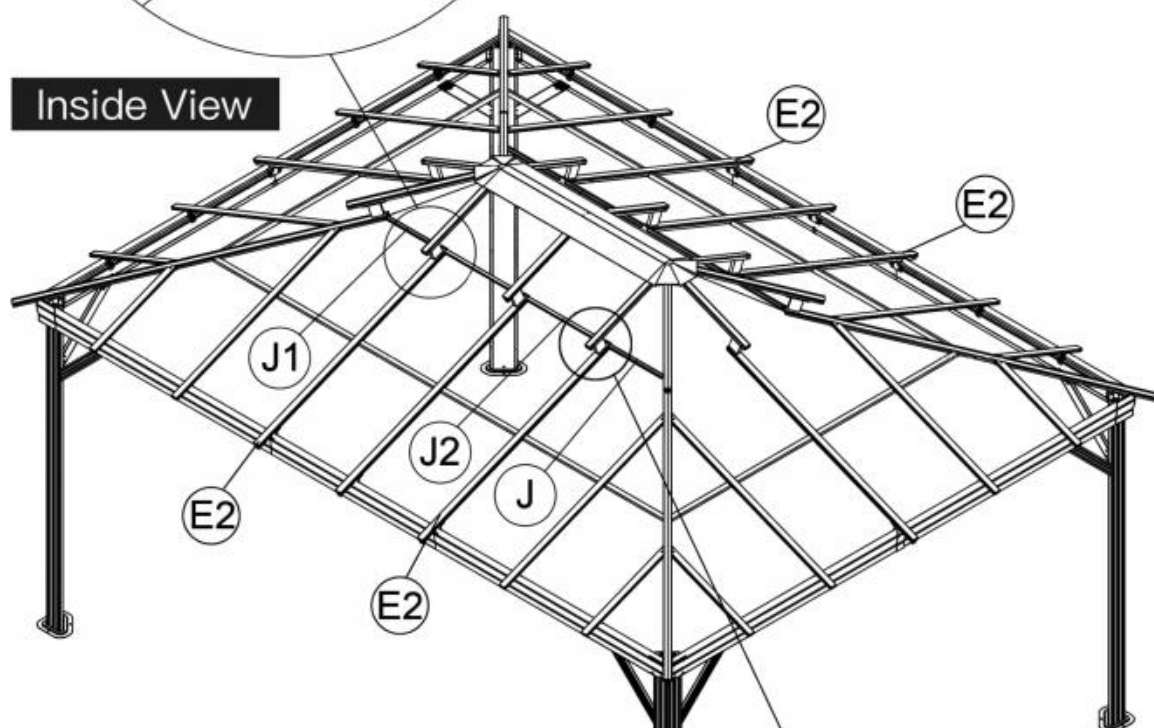
8 4x

(1) Place Part #J1, Part #J2 and Part #Q into order on Part #E2; put on Part #Y and secure with Bolt #8.

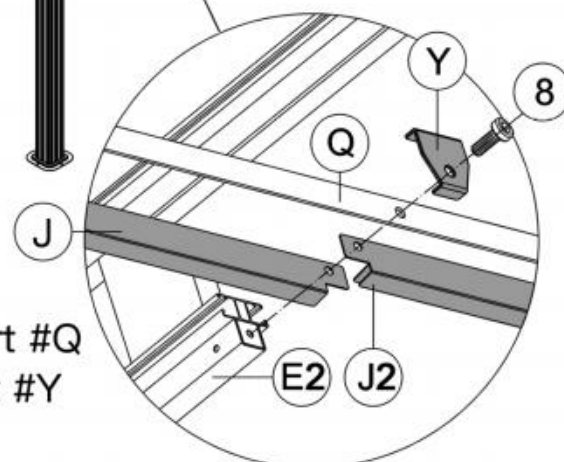
ATTENTION: The holes need to be aligned.



Inside View



Inside View



(2) Place Part #J, Part #J2 and Part #Q into order on Part #E2; put on Part #Y and secure with Bolt #8.

(3) Repeat these procedures to assemble the another side.



J 2x



J1 2x



Y 2x

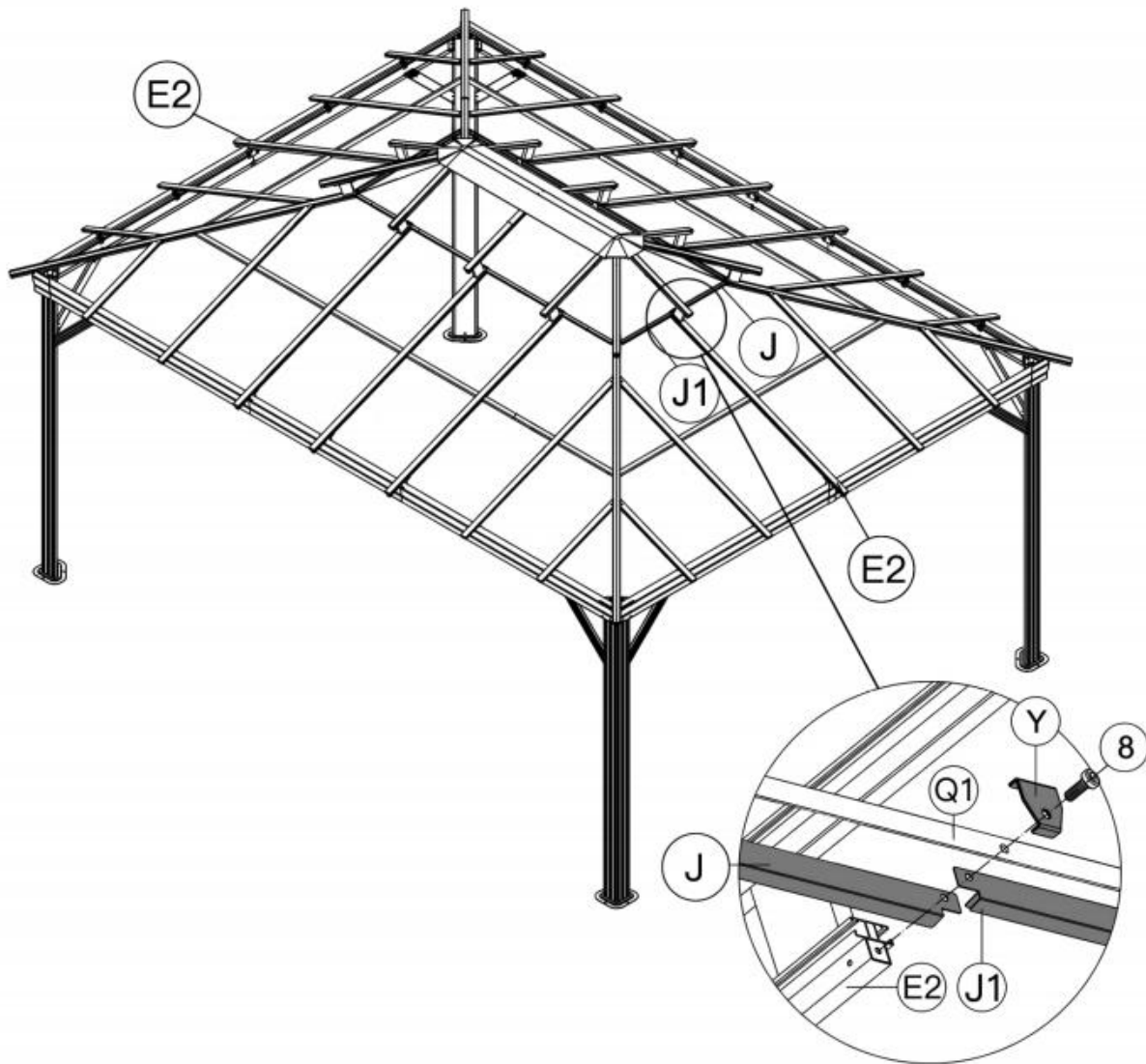


M6x16

8 2x



1 1x



Inside View

(1) Place Part #J , Part #J1 and Part #Q1 into order on Part #E2; put on part#Y and secure with Bolt #8.

ATTENTION: The holes need to be aligned.

(2) Repeat these procedures to assemble the another side.



Y1 4x



1 1x



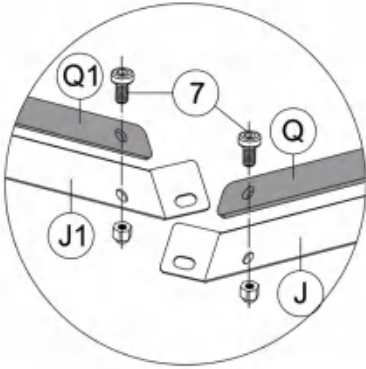
M6x12

7 8x

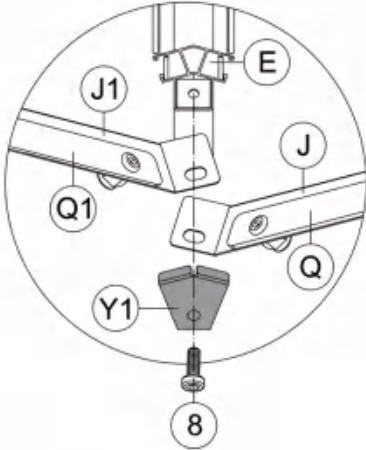


M6x16

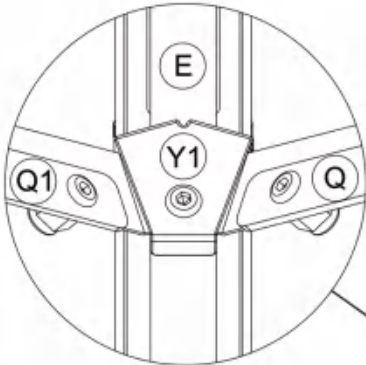
8 4x



(1) Attach Part #Q to Part #J with Bolt and Nut #7; attach Part #Q1 to Part #J1 with Bolt and Nut #7.

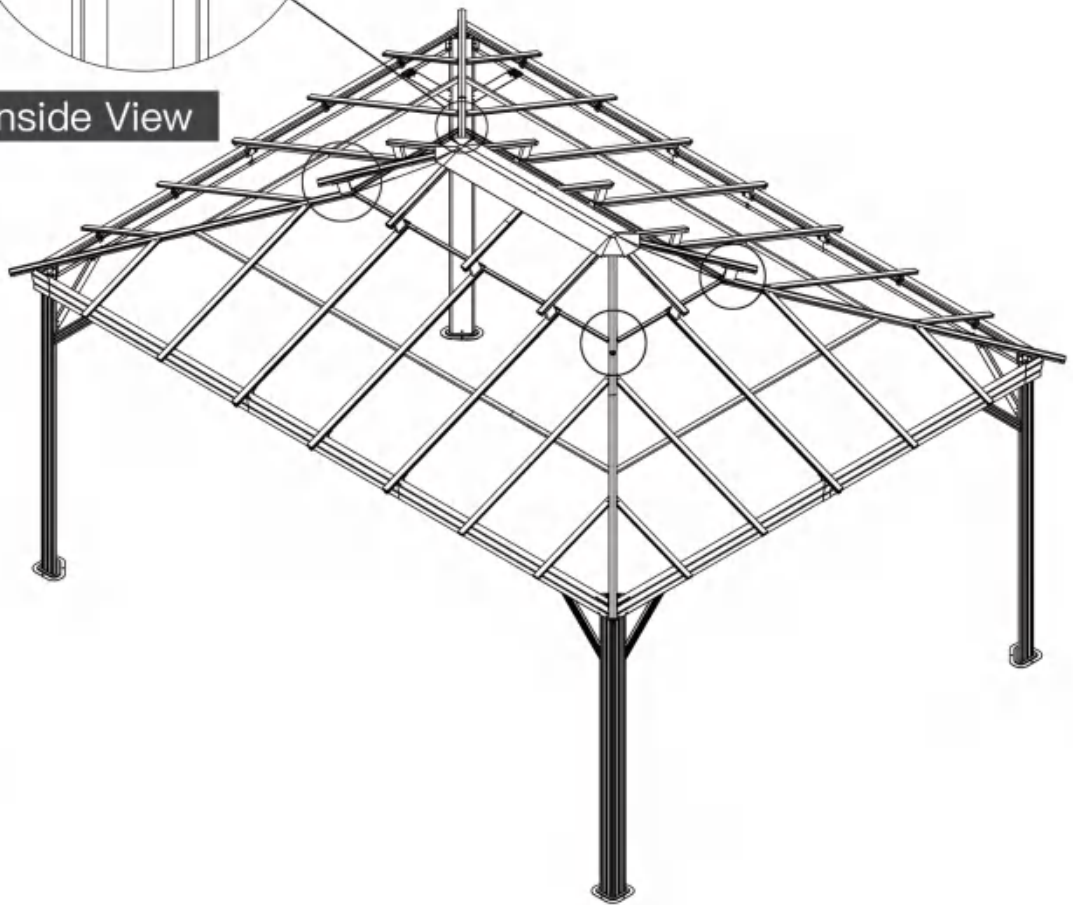


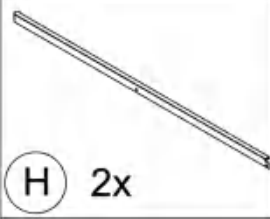
(2) Place Part #Y1 on Part #J/J1 and Part #E, securing with Bolt #8.



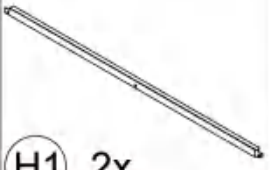
(3) Repeat these procedures to assemble the other three corners.

Inside View

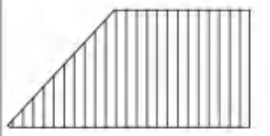




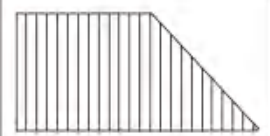
H 2x



H1 2x



P 2x



P1 2x

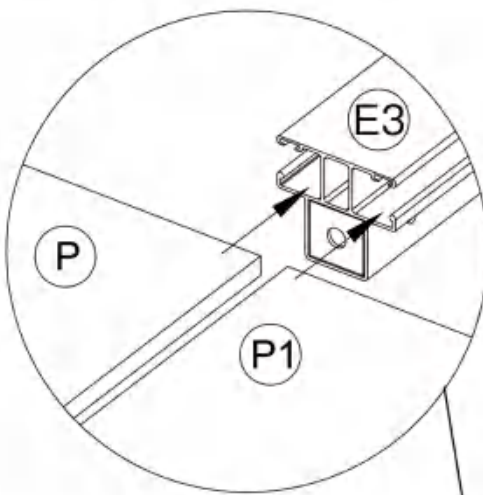


Y 2x

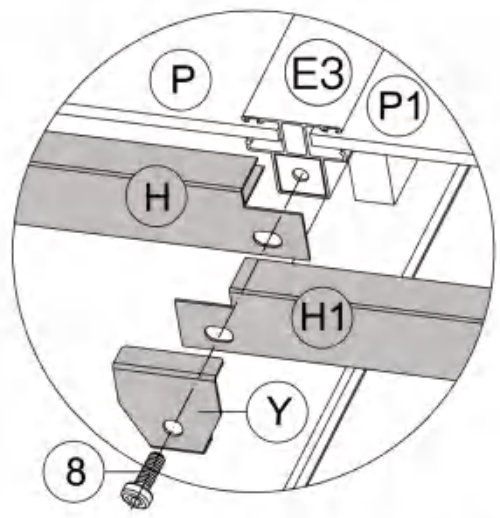


M6x16

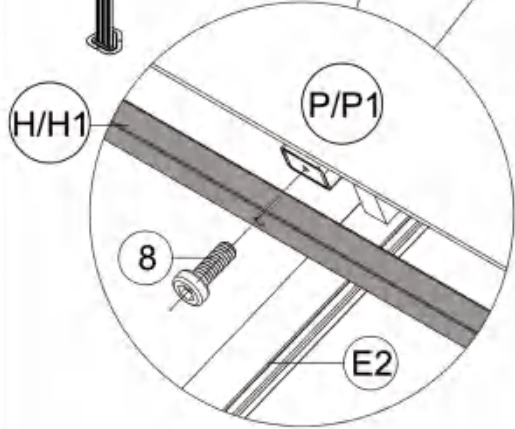
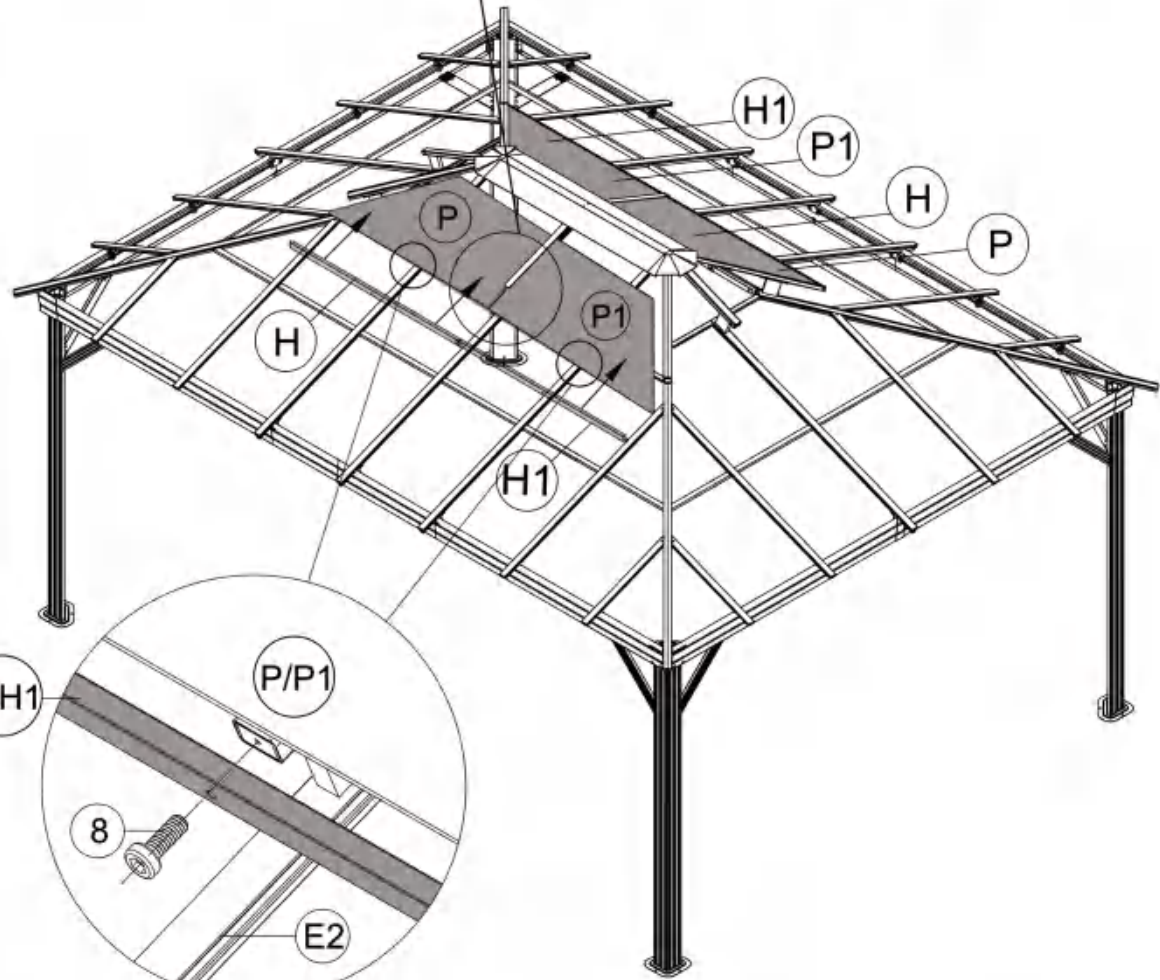
8 6x



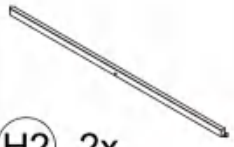
(1) Insert Part #P and Part #P1 into the top roof.



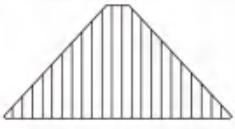
(2) Place Part #H and Part #H1 on Part #E3; put on part#Y and secure with Bolt #8.



(3) Place Part #H/#H1 on Part #E2, securing with Bolt #8.
(4) Repeat these procedures to assemble the another side.



H2 2x

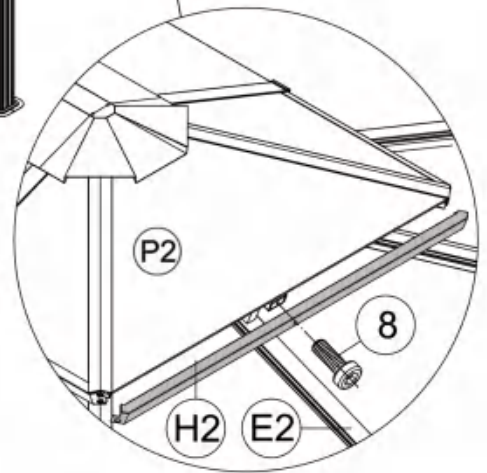
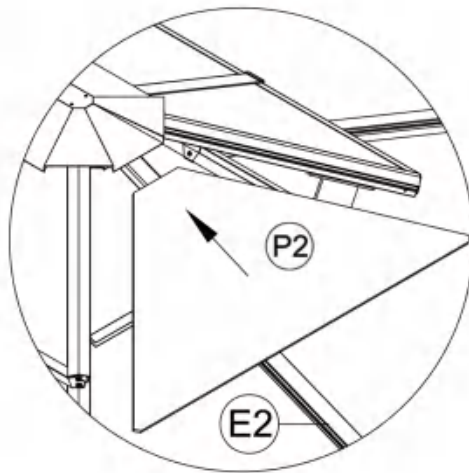
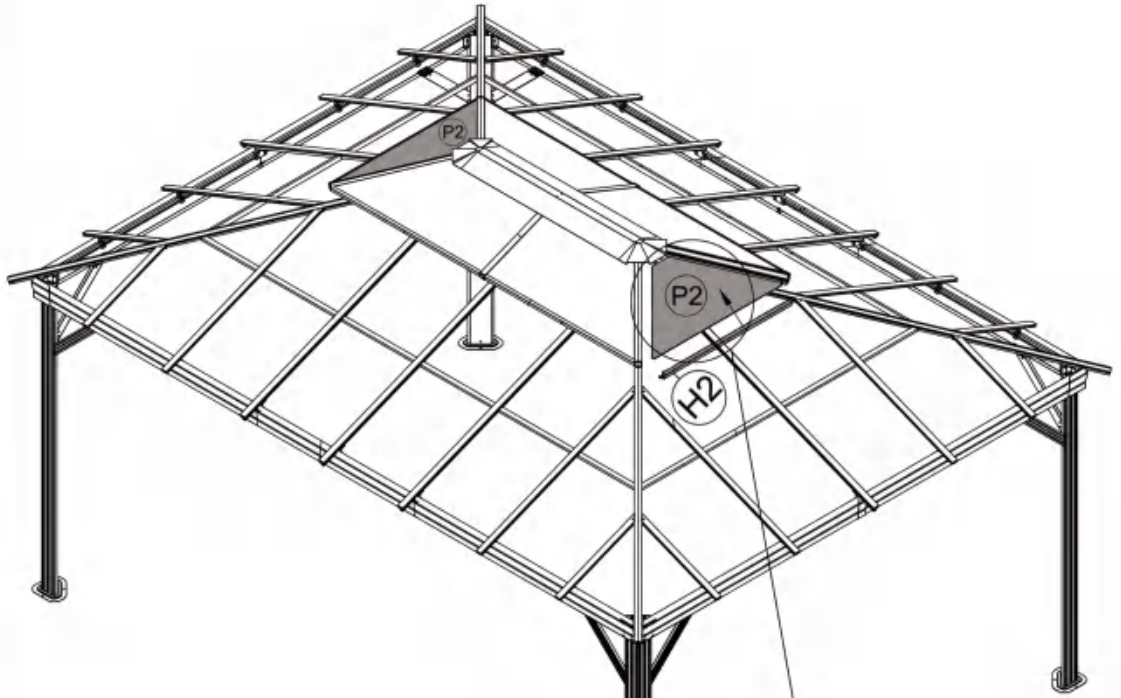


P2 2x



M6x16

8 2x



(1) Insert Part #P2 into the top roof.

(2) Place Part #H2 on Part #E2, securing with Bolt #8.

(3) Repeat these procedures to assemble the another side.

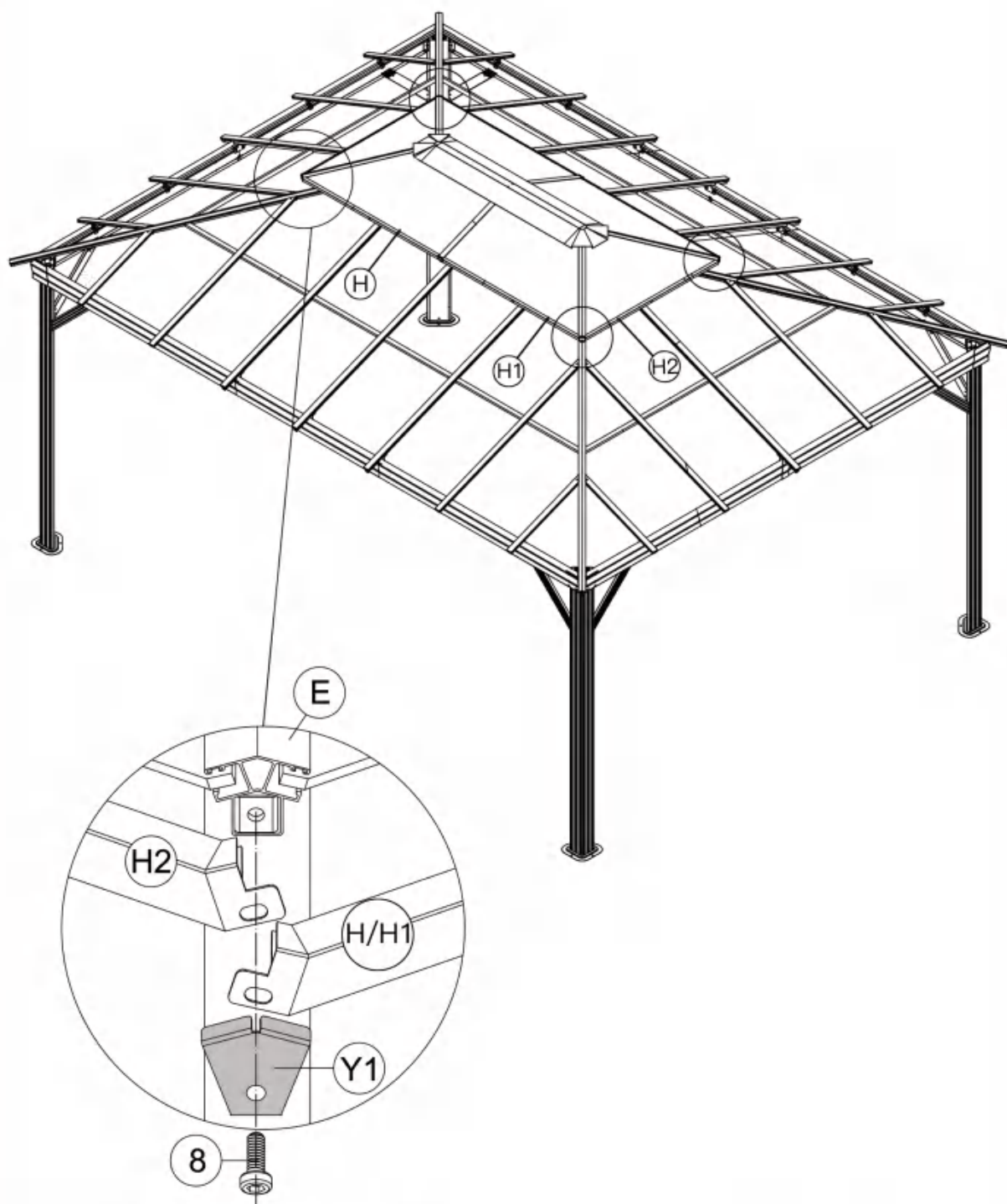


M6x16

8 4x

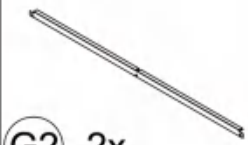


Y1 4x



Outside View

- (1) Place Part #H/H1 and Part #H2 on Part #E; put on part #Y1 and secure with Bolt #8.
- (2) Repeat these procedures to assemble the other three corners.



G2 2x



M 4x



Y 2x



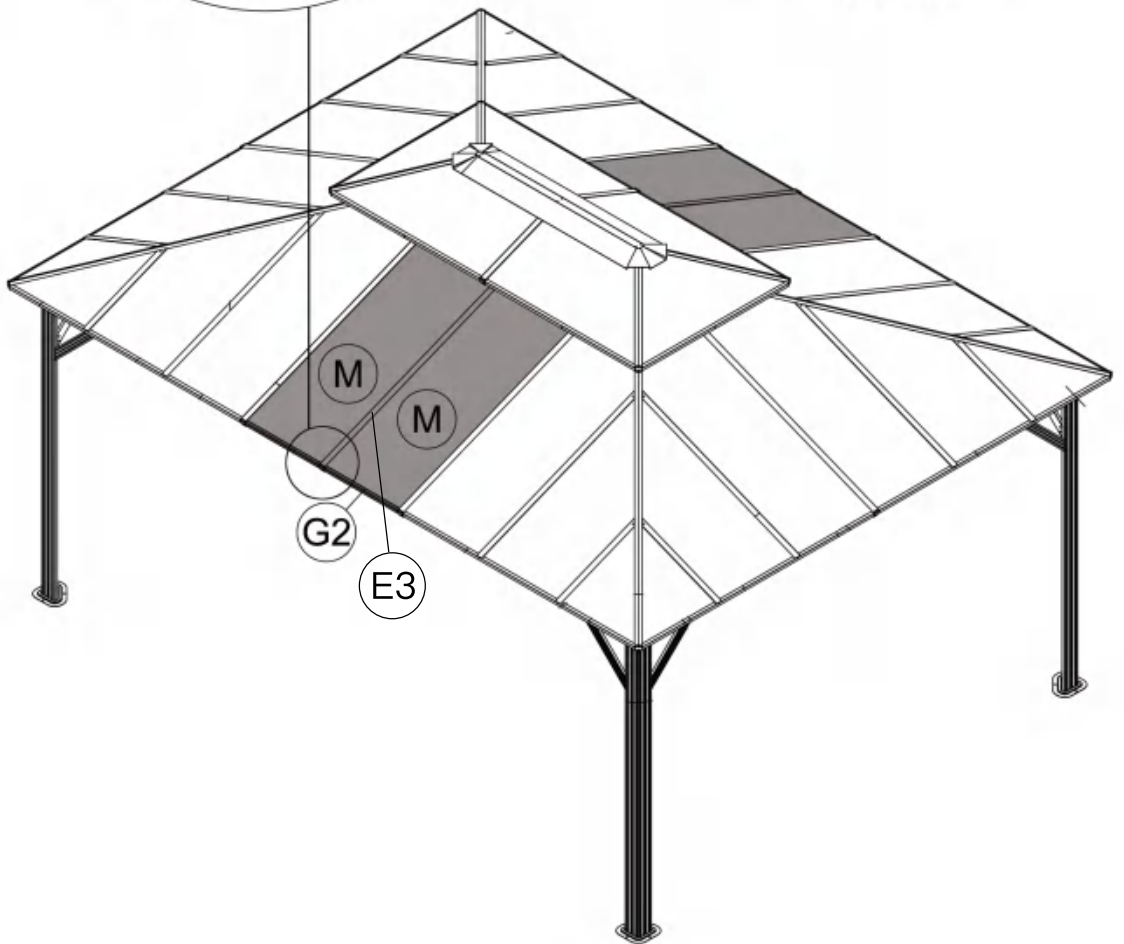
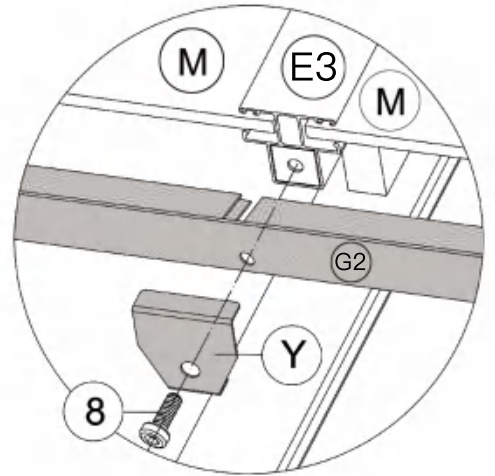
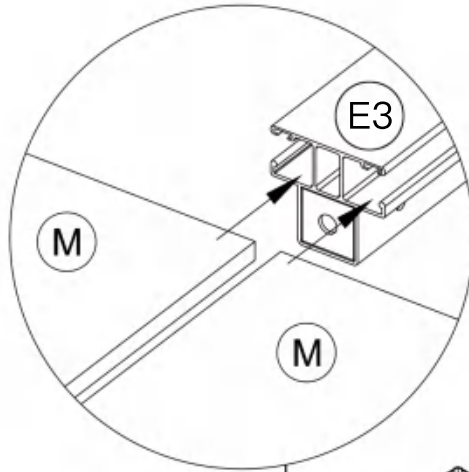
M6x16

8 2x

(1) Insert 2 Parts #M into the frame.

(2) Place Part #Y on Part #G2 and Part #E3, securing with Bolt #8.

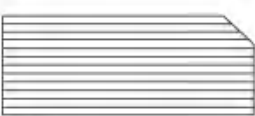
(3) Repeat these procedures to assemble the another side.



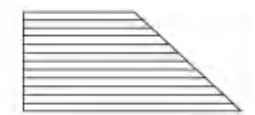
(1) Insert Part #L, Part #L1 and Part #L2 into the frame.



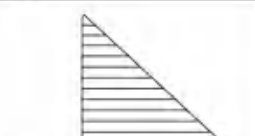
G 2x



L 2x



L1 2x



L2 2x



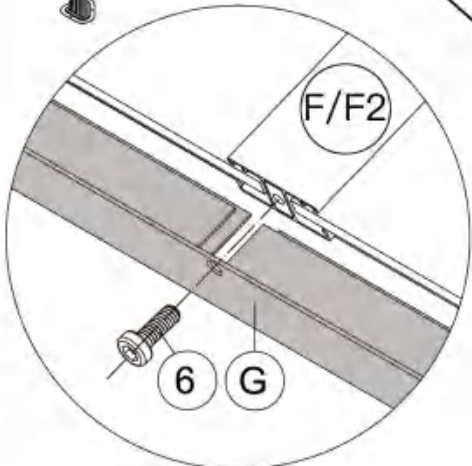
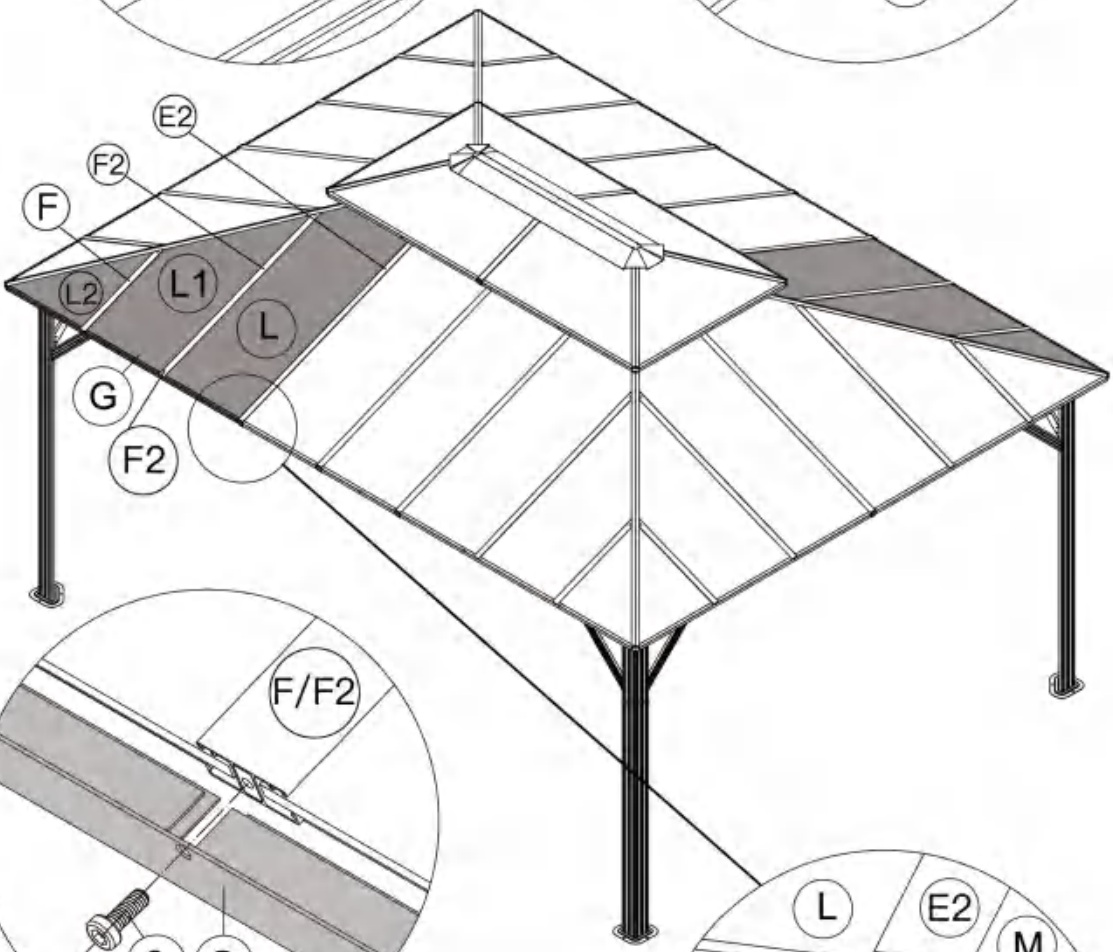
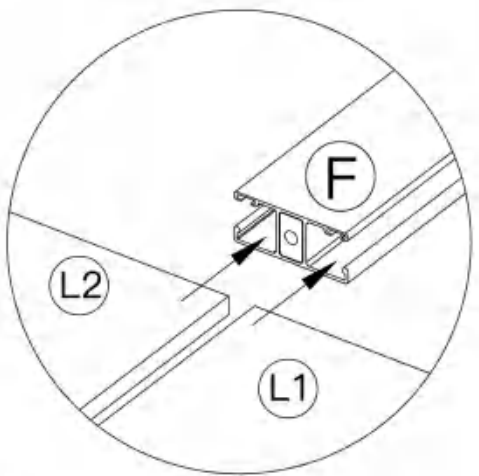
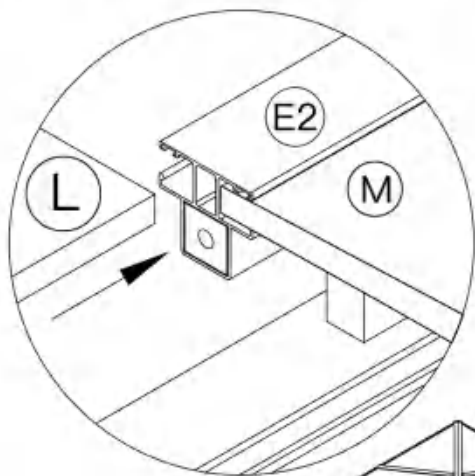
Y 2x



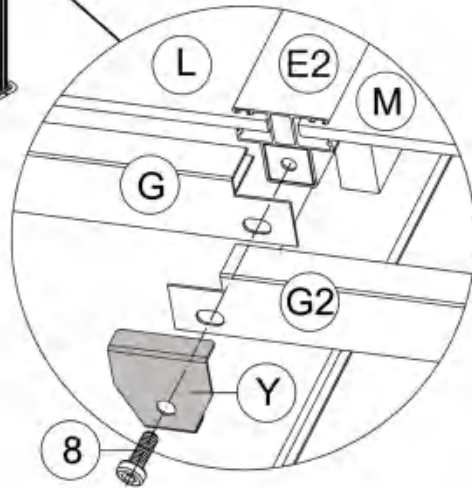
6 4X



8 2x



(2) Attach Part #G to the frame, securing with Bolt #6.



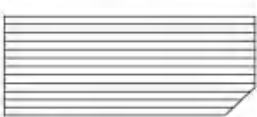
(3) Place Part #G and Part #G2 on Part #E2; put on part#Y and secure with Bolt #8.

(4) Repeat these procedures to assemble the another side.

(1) Insert Part #N, Part #N1 and Part #N2 into the frame.



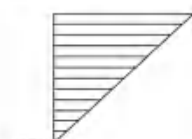
G1 2x



N 2x



N1 2x



N2 2x



Y 2x



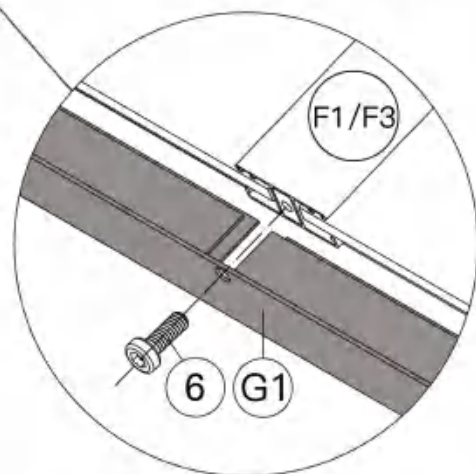
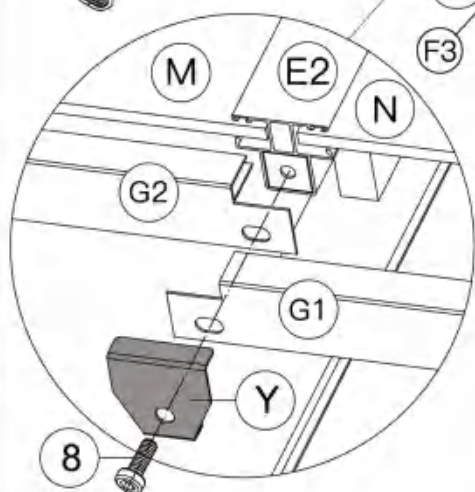
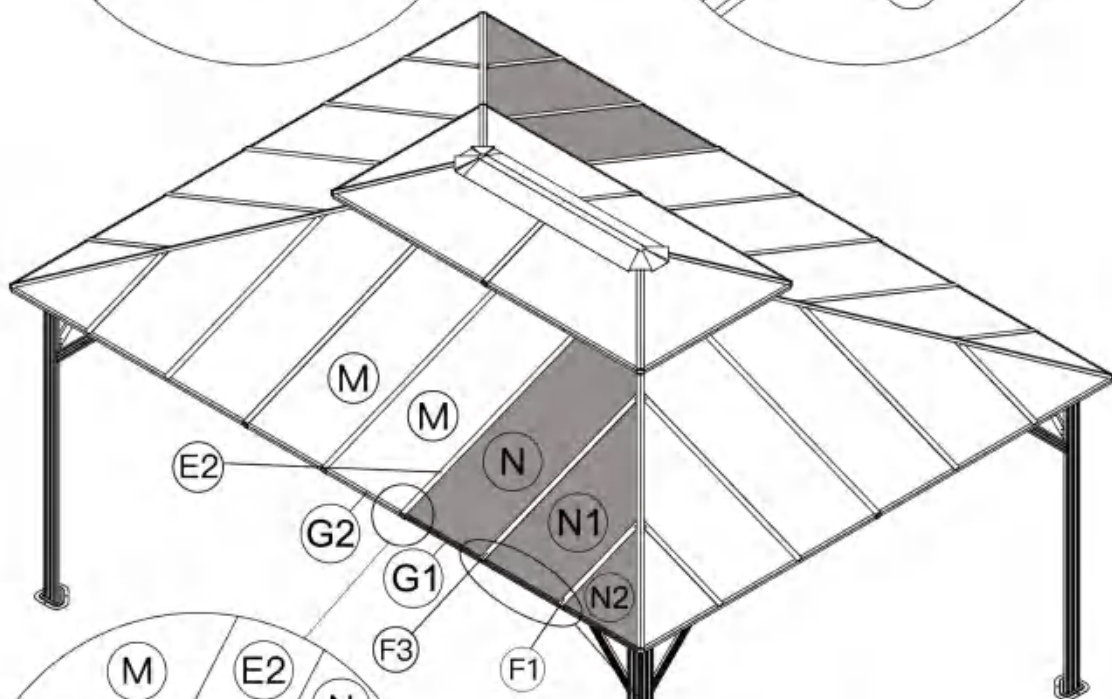
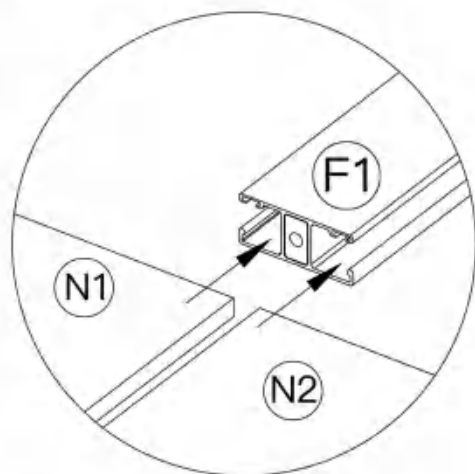
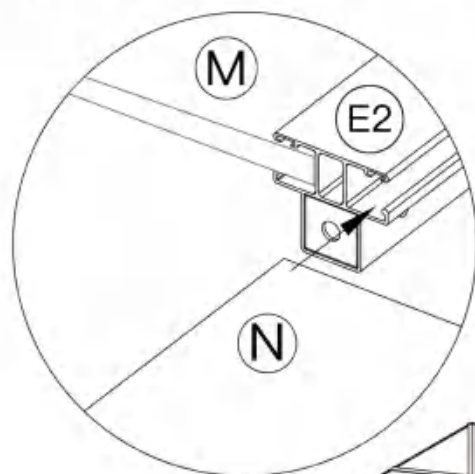
M5x12

6 4X



M6x16

8 2x

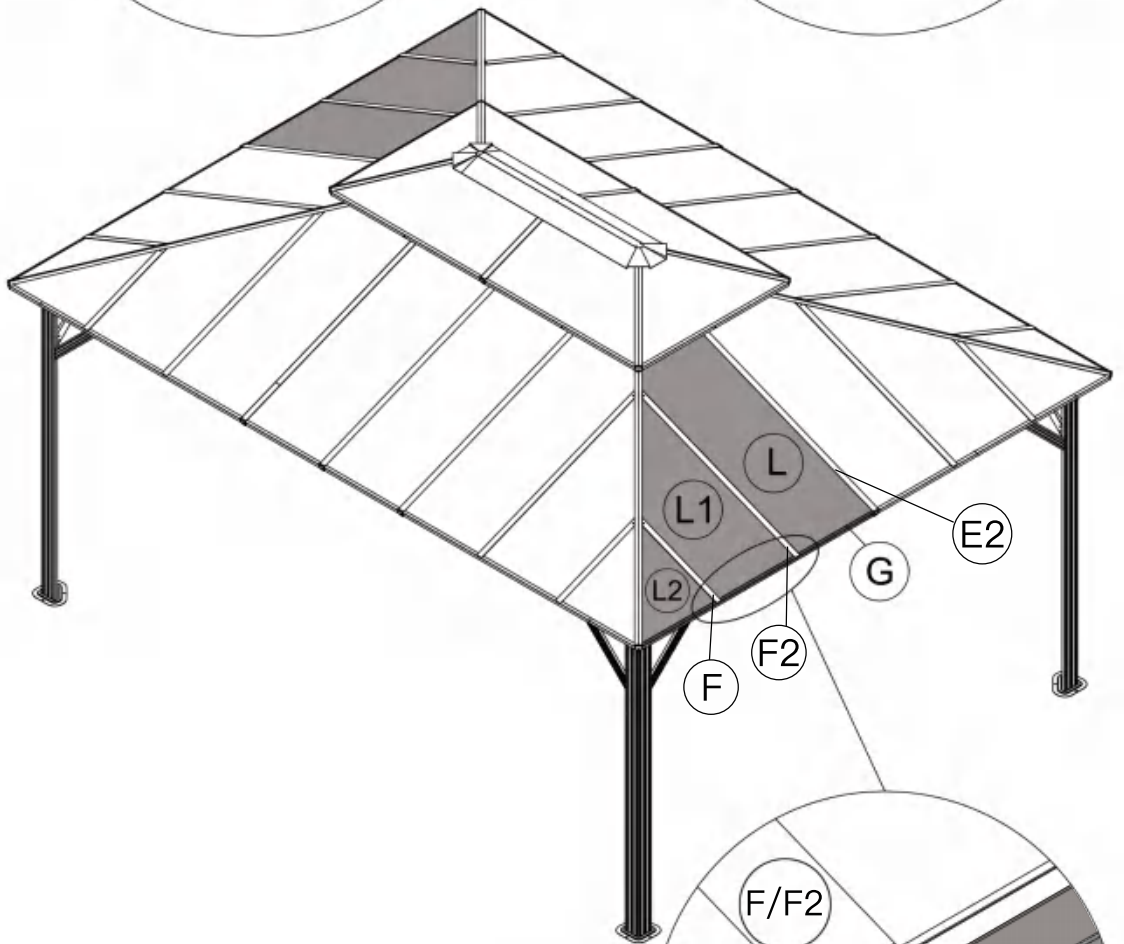
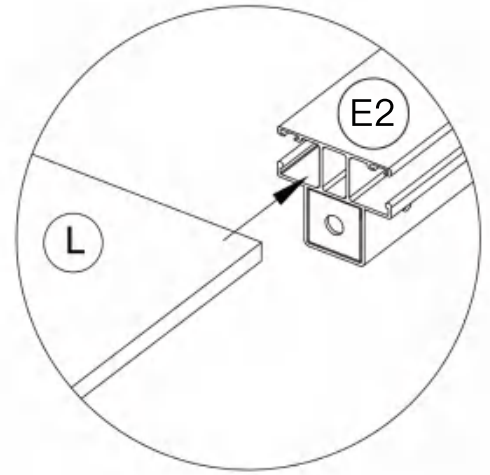
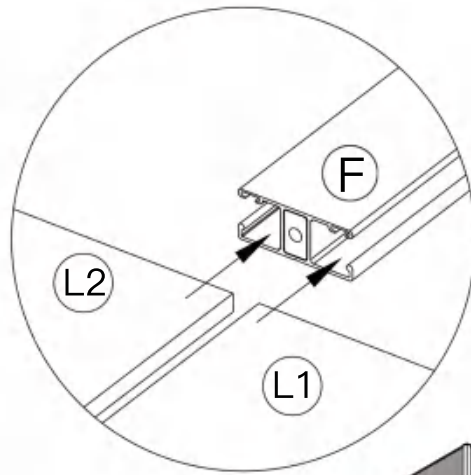
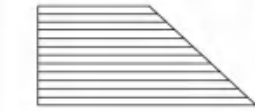
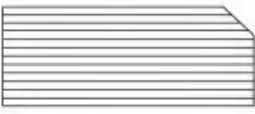


(3) Place Part #G1 and Part #G2 on Part #E2; put on part#Y and secure with Bolt #8.

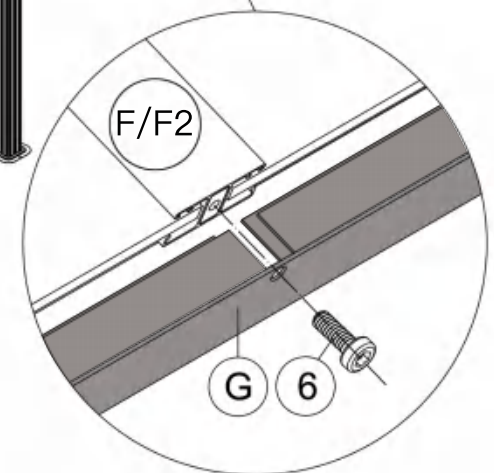
(2) Attach Part #G1 to the frame, securing with Bolt #6.

(4) Repeat these procedures to assemble the another side.

(1) Insert Part #L, Part #L1 and Part #L2 into the frame.

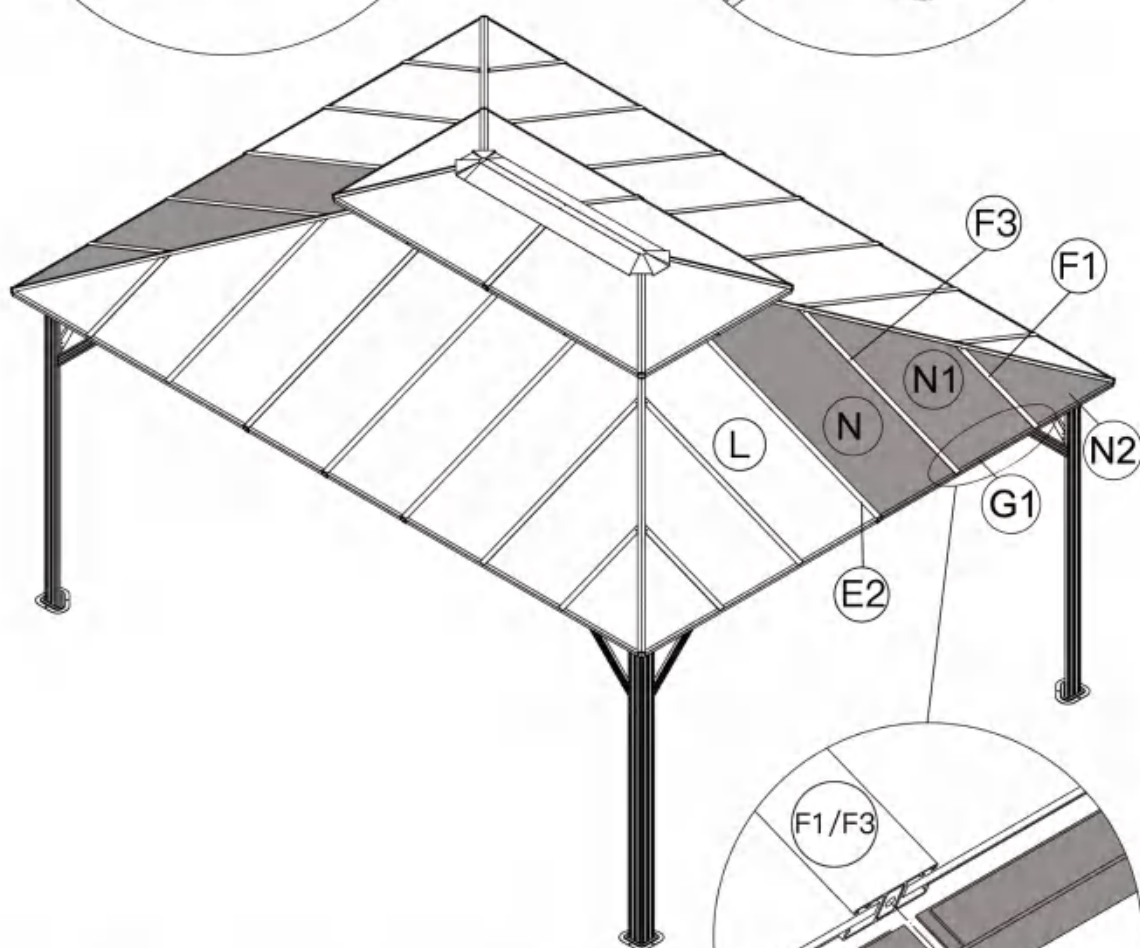
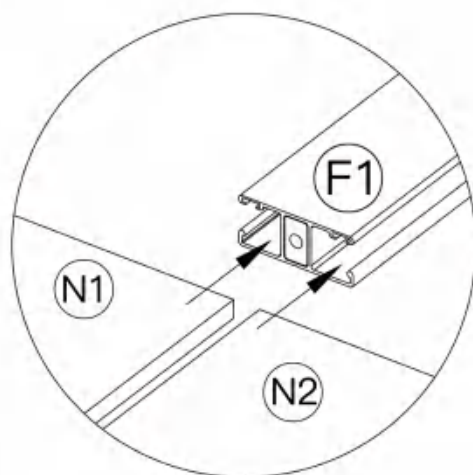
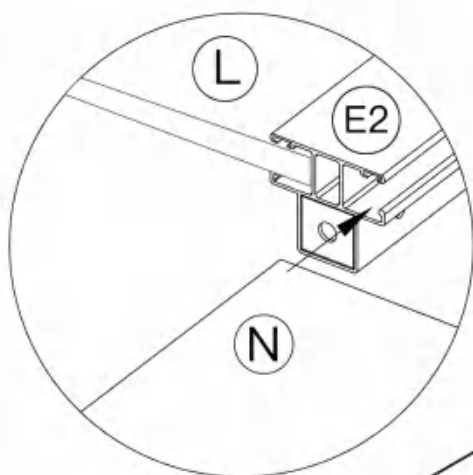
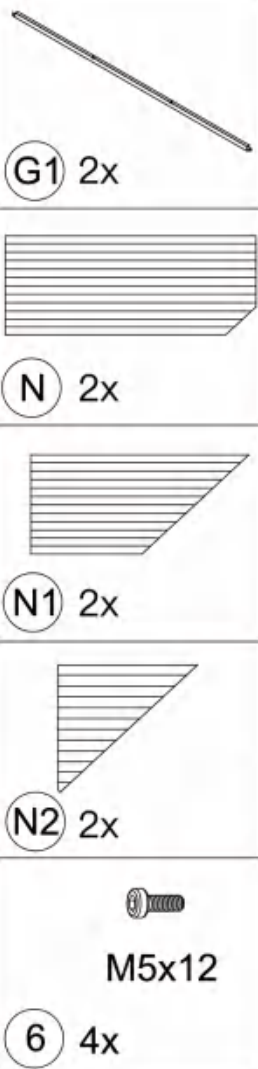


(2) Attach Part #G to the frame, securing with Bolt #6.

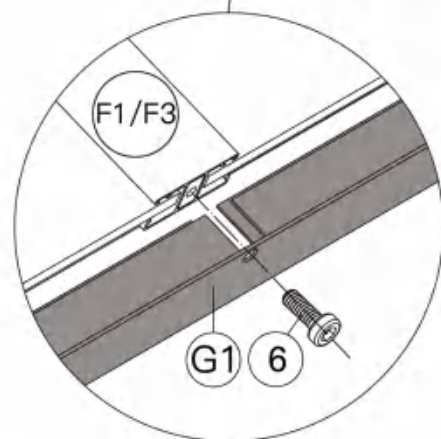


(3) Repeat these procedures to assemble the another side.

(1) Insert Part #N, Part #N1 and Part #N2 into the frame.



(2) Attach Part #G1 to the frame, securing with Bolt #6.



(3) Repeat these procedures to assemble the another side.

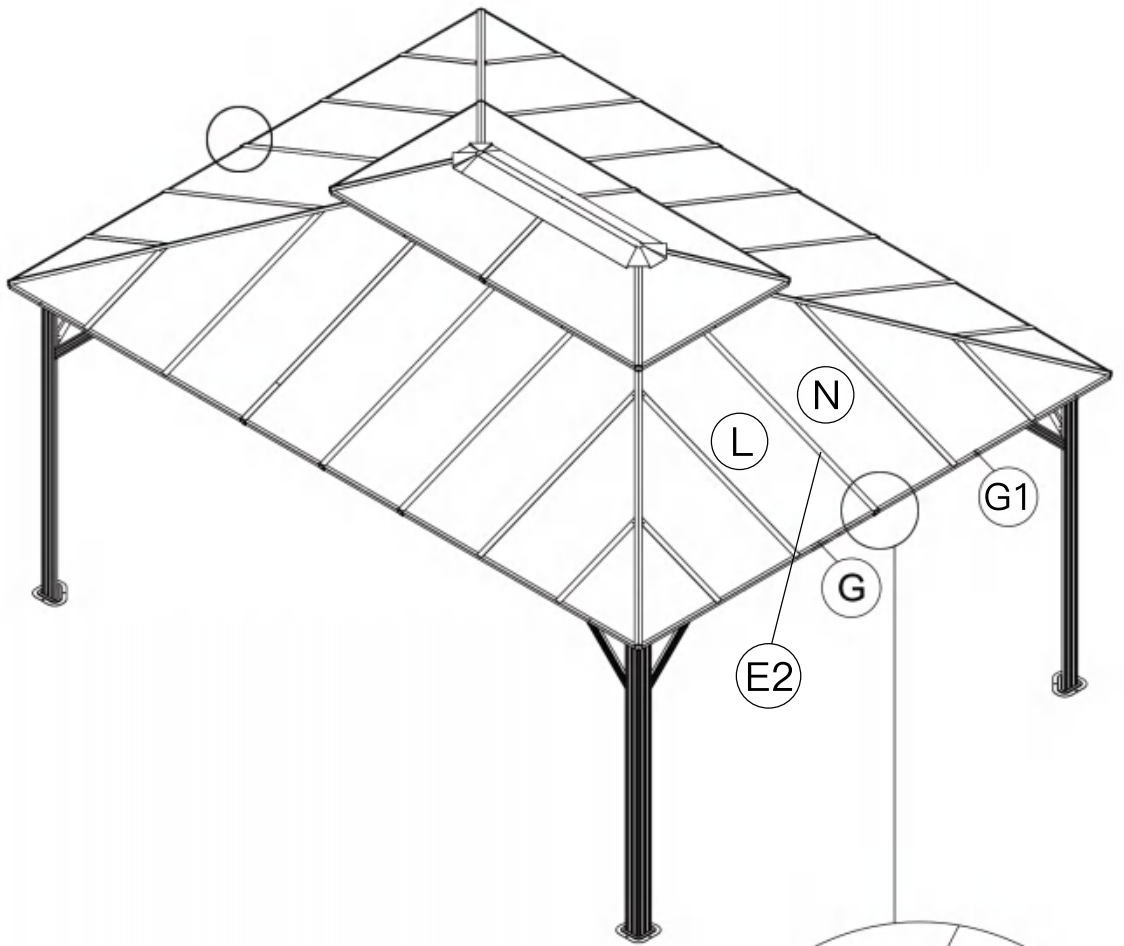


Y 2x

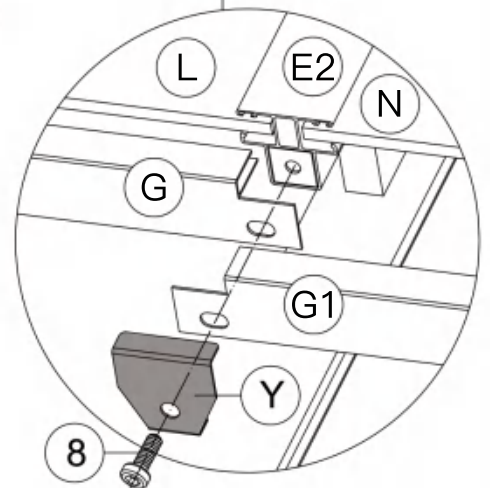


M6x16

8 2x



(1) Place Part #G and Part #G1 on Part #E2; put on part #Y and secure with Bolt #8.



(2) Repeat these procedures to assemble the another side.

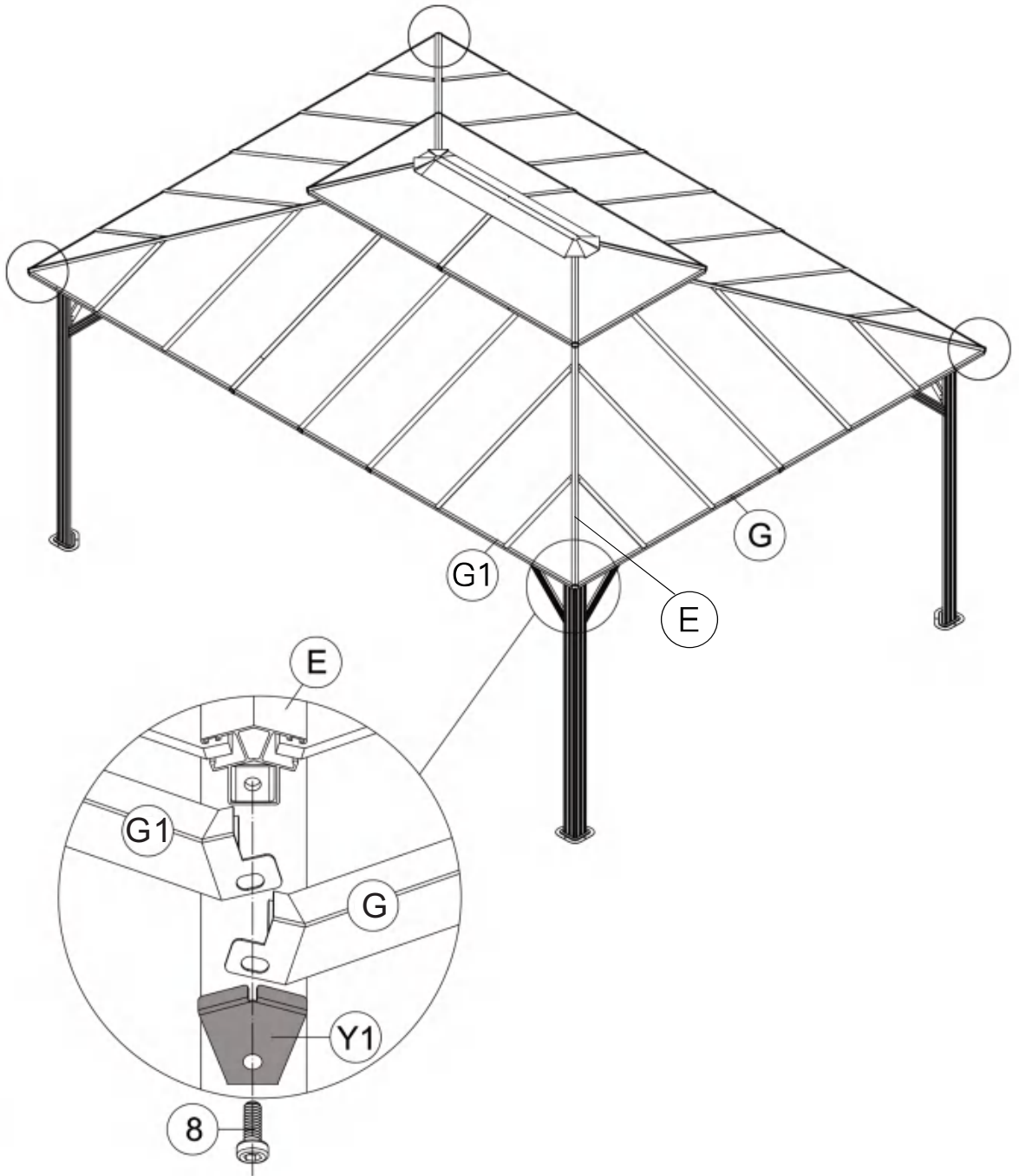


Y1 4x



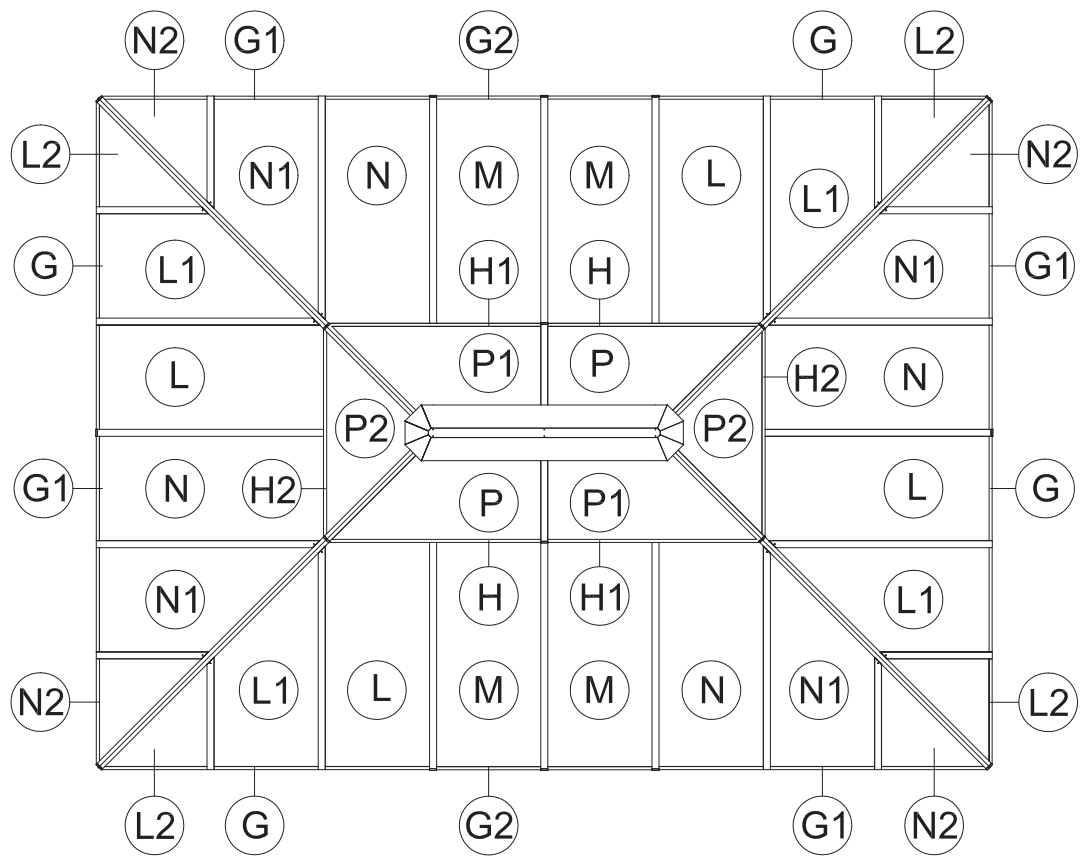
M6x16

8 4x



(1) Place Part #G and Part #G1 on Part #E;
put on part #Y1 and secure with Bolt #8.

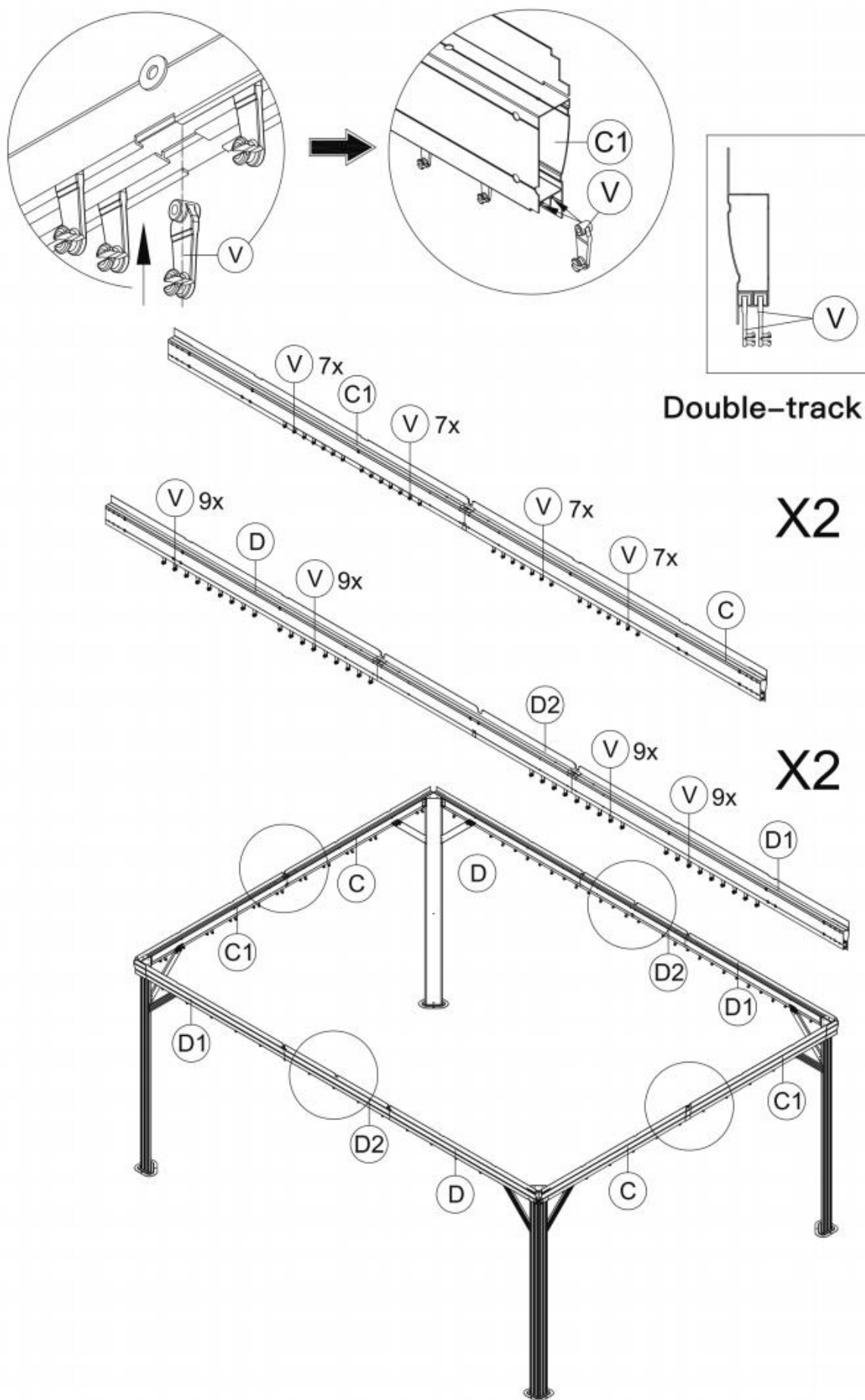
(2) Repeat these procedures to assemble the other three
corners.





V 128 x

- (1) Place 7 hooks on each slot of the Sidewall Track (C1&C).
- (2) Place 9 hooks on each slot of the Sidewall Track (D&D1&D2).





S4

1 1x



W 2x

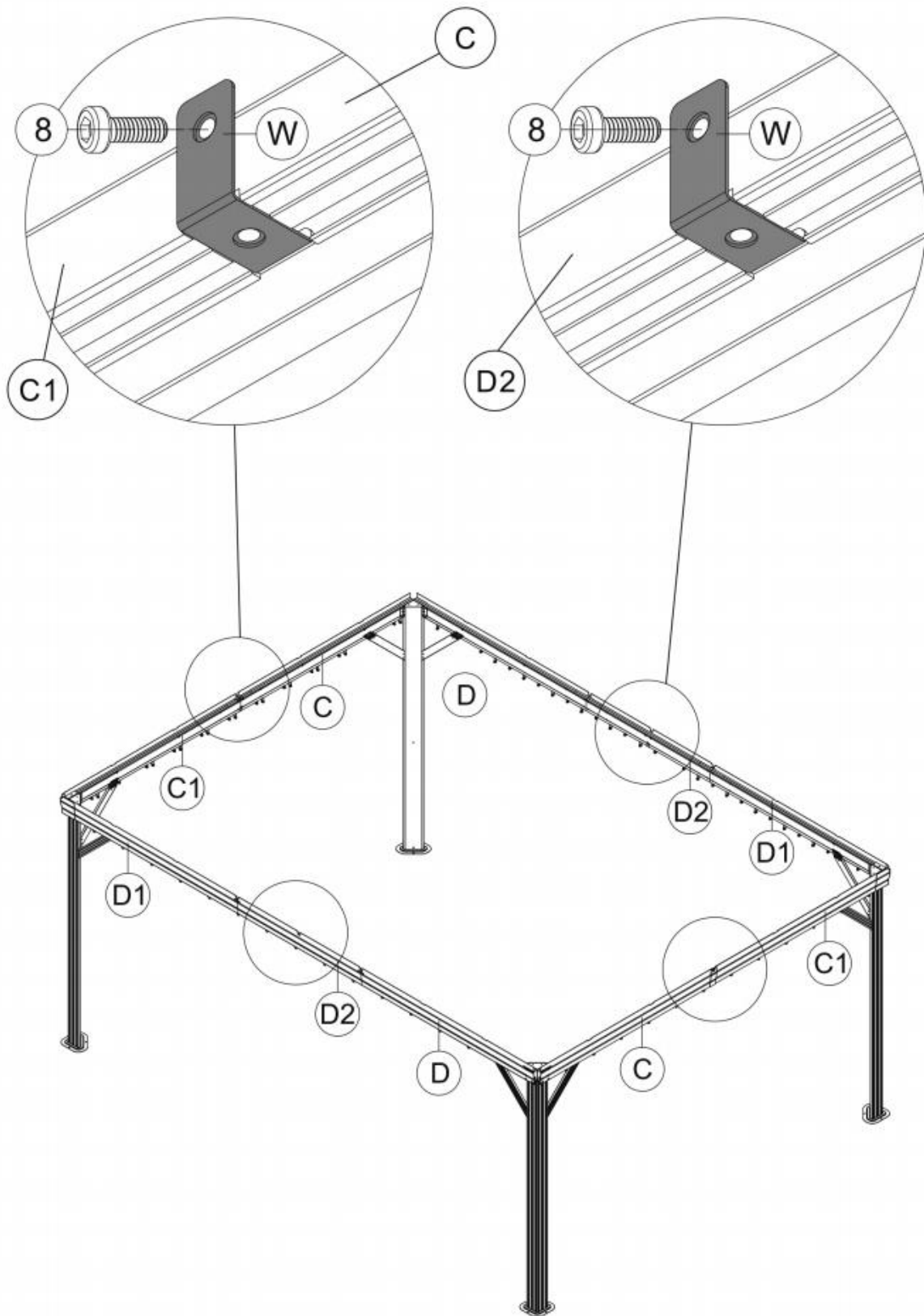


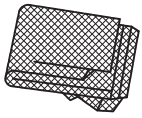
M6x16

8 4x

(1) Install Part #W at the joint of Part #C & C1 with Bolts #8;
Install Part #W at the joint of Part #D2 with Bolts #8.

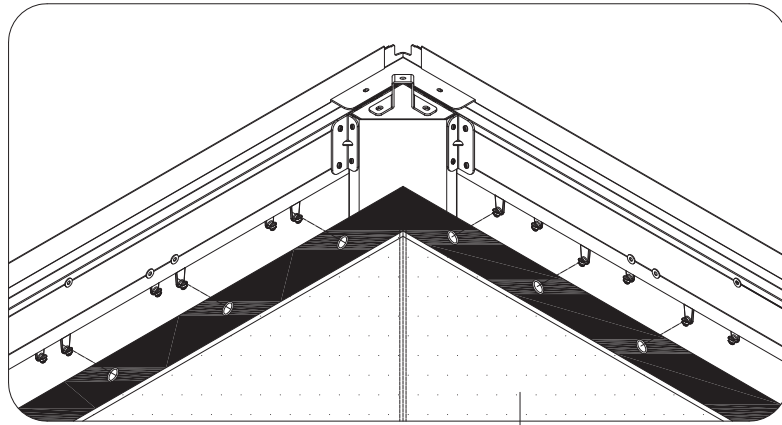
(2) Repeat the above procedures to assemble another side.



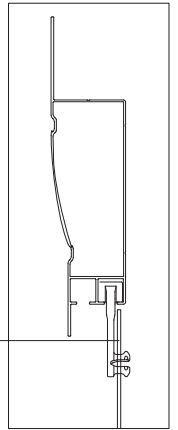


Z1 4x

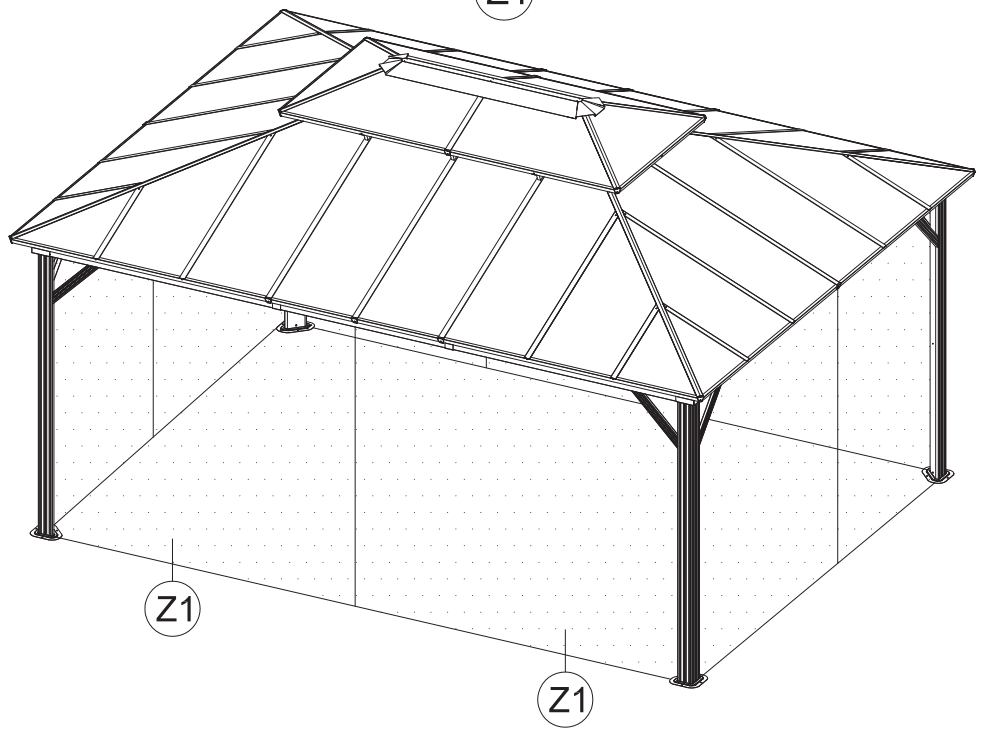
Hang up mosquito sidewalls to inside track.



Z1

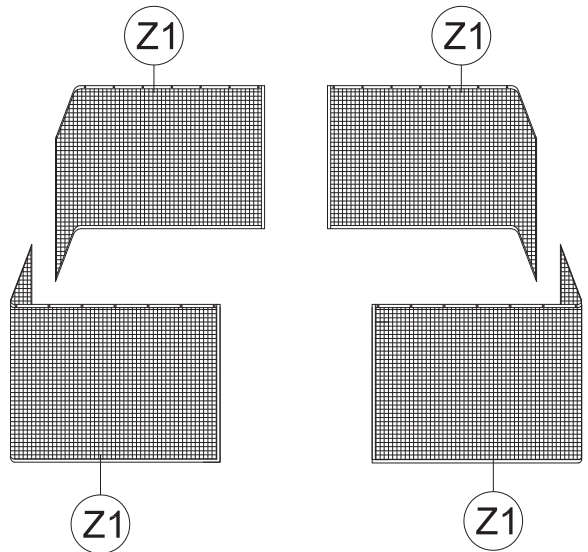


Z1



Z1

Z1

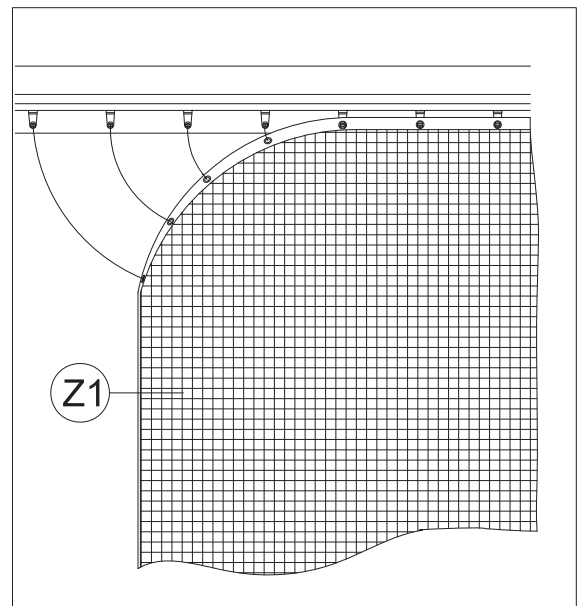


Z1

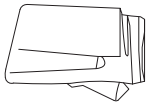
Z1

Z1

Z1

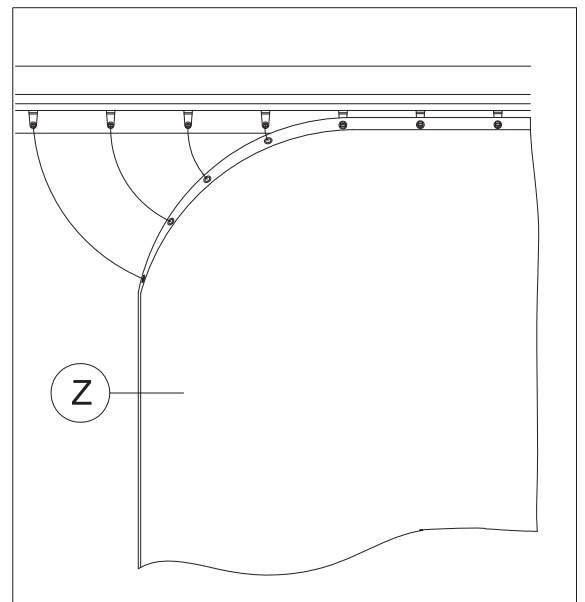
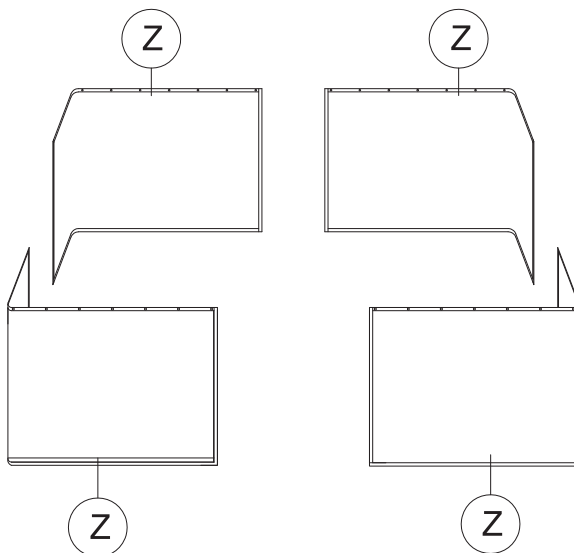
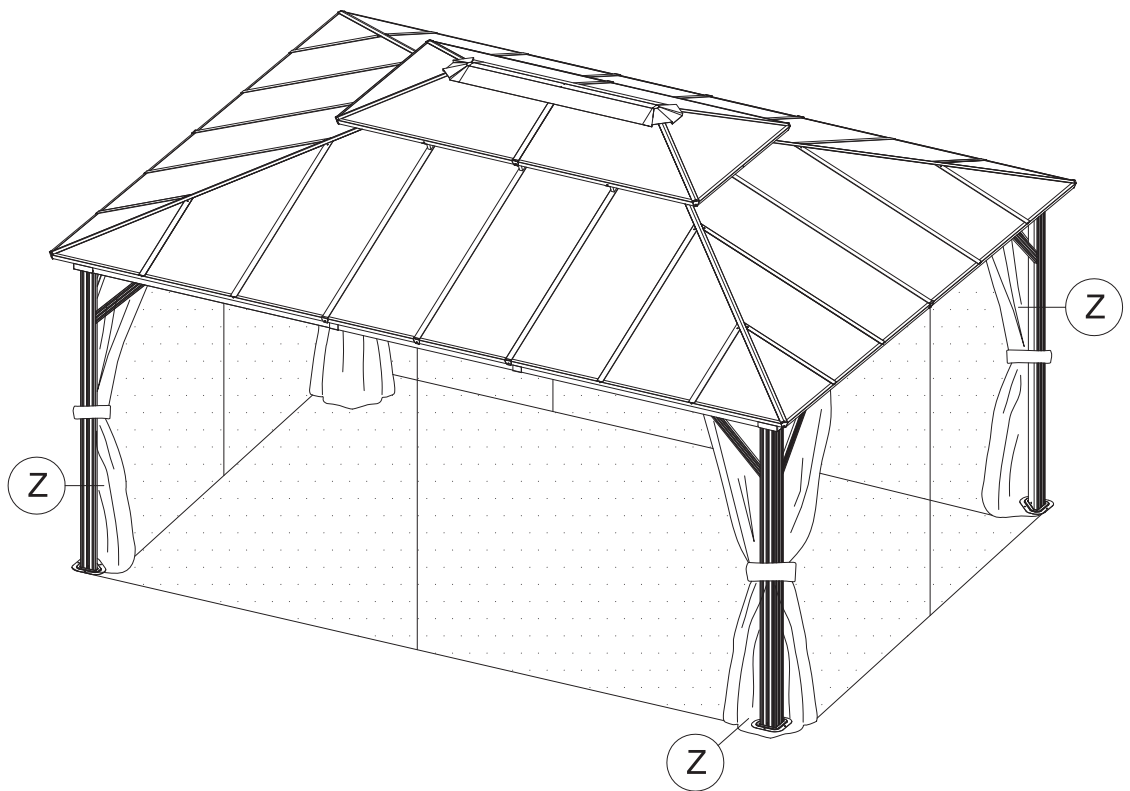
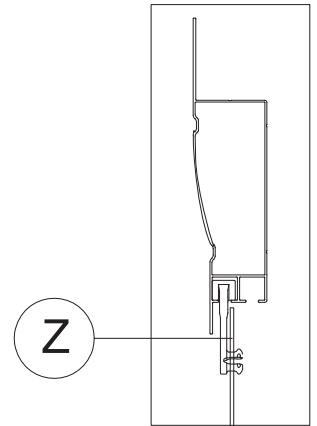
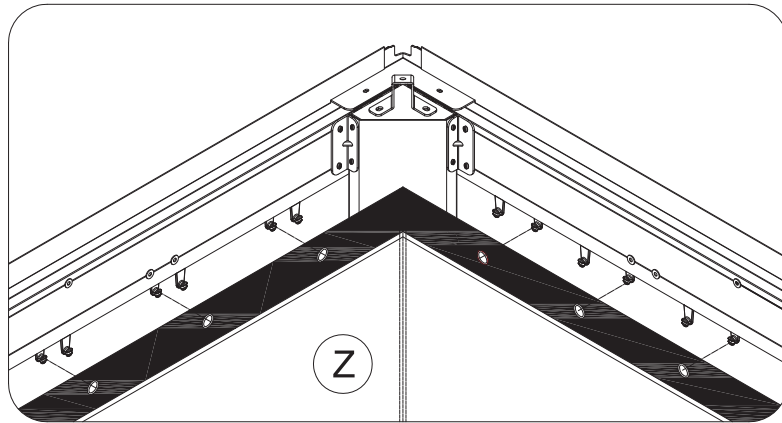


Z1



Z 4x

Hang up mosquito sidewalls to outside track.





RESORT COMFORT IN YONR
OWN BACKYARD

Thanks for your purchase.


At domi outdoor living, we believe in our products.

That's why we provide a 12-month warranty and

friendly, easy-to-reach after-sales service. So if you

have any questions about our product and assembly-

,please feel free to contact us. We will be here for you.

Support:  

email: service@domioutdoorliving.com

Please tell us your order ID when contact.

Attach photos of damaged part for instant reply.