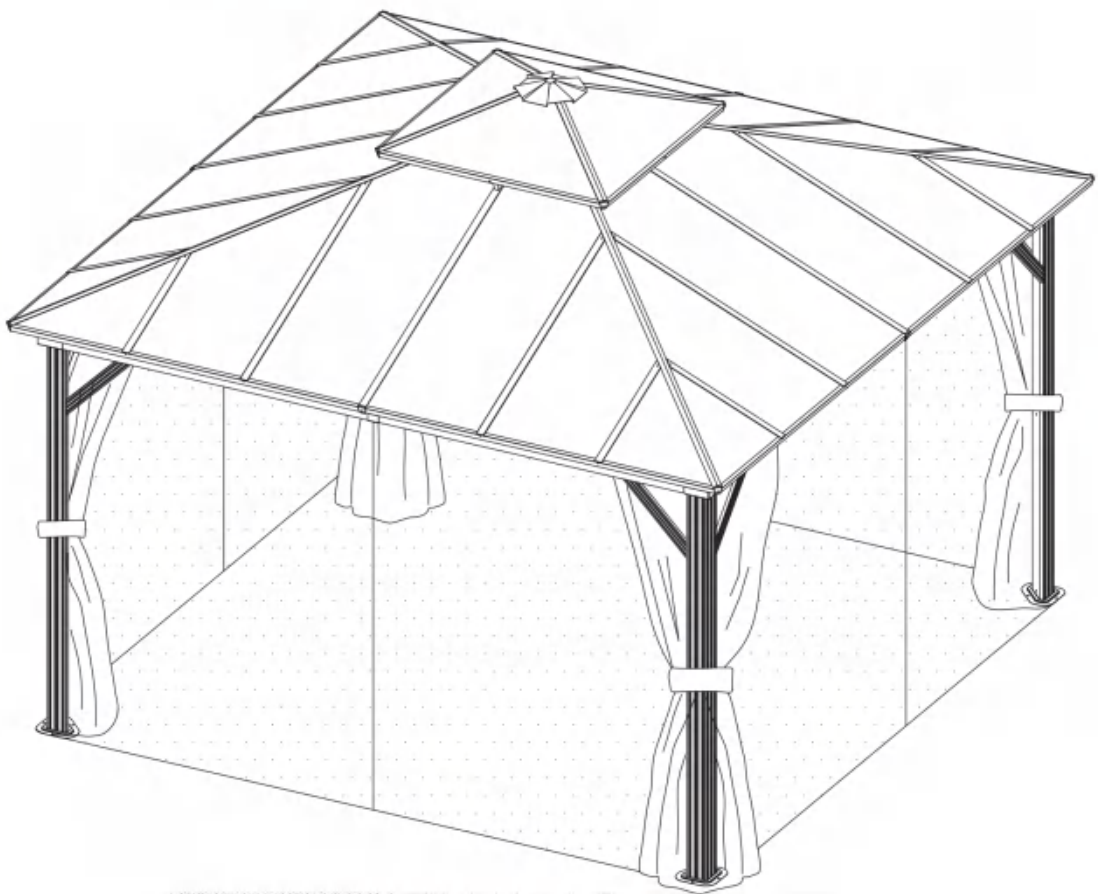




12'×12' HARDTOP ALUMINUM POLYCARBONATE GAZEBO

ASSEMBLY MANUAL



MODEL#: LGFP1581

Missing part? Damaged? Contact us:

service@domioutdoorliving.com

Pre-assembly



1. Two or more people are required for assembly.



2. You will need one or more stepladders.



3. Wearing protective gloves is recommended.



4. You may need a safety hat.



5. Please use a Phillips screw driver.



6. For ease of construction, you may need a drill.



7. You may need a safety goggle.



8. Do not fully tighten screws prior to complete assembly.

Warning & Attention

-Try to assemble this product on the flat ground, otherwise it is difficult to carry out;

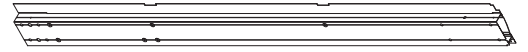
-It would be much easier to assemble the product with three or more people;

-After assembly, please check whether all screws are tightened, to prevent parts from falling apart.

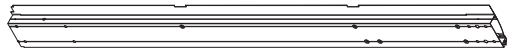
▲ Use bolts to secure the frame to the ground to against the strong wind.



A 4x Pole



C 4x Beam



C1 4x Beam



E 4x Corner Roof Bar



E1 4x Corner Roof Bar Connector



E2 4x Roof Bar



F 4x Corner Roof Solidifying Bar



F1 4x Corner Roof Solidifying Bar



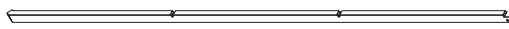
F2 4x Corner Roof Solidifying Bar



F3 4x Corner Roof Solidifying Bar



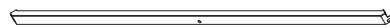
G 4x Finishing Bar



G1 4x Finishing Bar



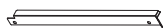
H2 4x Finishing Bar



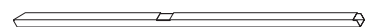
J 4x Finishing Bar

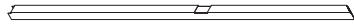


J1 4x Finishing Bar

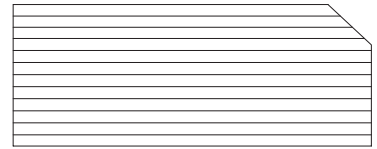


K 4x Solidifying Bar

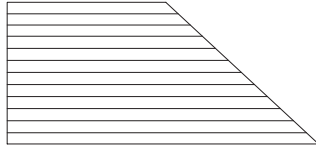




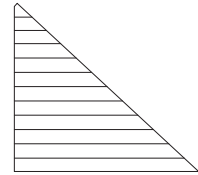
K1 4x Solidfying Bar



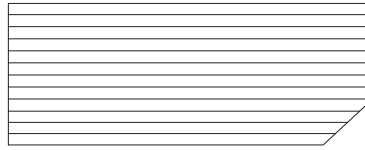
L 4x Roof Panel



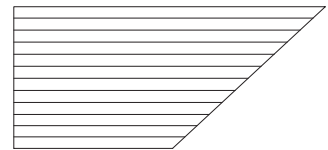
L1 4x Roof Panel



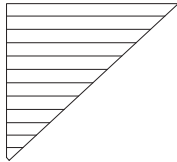
L2 4x Roof Panel



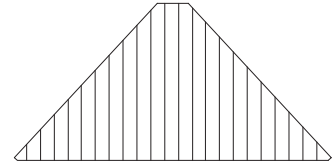
N 4x Roof Panel



N1 4x Roof Panel



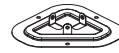
N2 4x Roof Panel



P2 4x Roof Panel



Q1 4x Plastic Bar



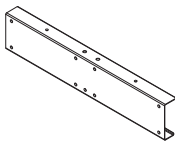
B 4x Base



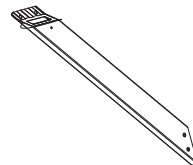
B1 8x Joint Cover



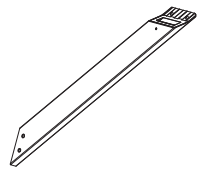
B2 8x Joint Cover



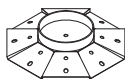
C2 4x Union Bar



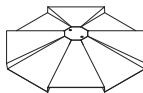
R 4x Corner Solidfying Bar



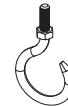
R1 4x Corner Solidfying Bar



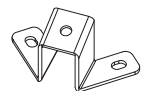
S 1x Inside Roof Connector



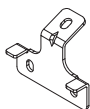
S1 1x Outside Roof Connector



T 1x J-Hook



U 4x Bracket



U1 4x Bracket



U2 16x Bracket



V 112x Hook



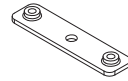
W 4x Bracket



W1 8x Bracket



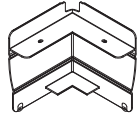
W2 4x Bracket



W3 4x Joint Cover



X 4x Joint Cover



X1 4x Corner Cover



X2 8x Spacer



Y 8x Finishing End



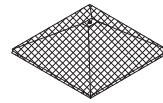
Y1 12x Finishing End



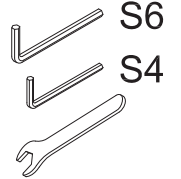
Z 4x Solid Sidewall



Z1 4x Mosquito Sidewall



Z2 1x Mesh



1 1x



ST4.2x12

2 8x



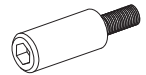
ST5x16

3 16x



M6x15

4 16x



M6x15

5 16x



M5x12

6 64x



M6x12

7 8x



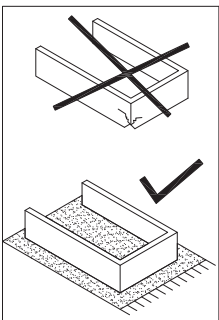
M6x16

8 232x



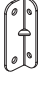
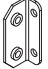

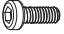



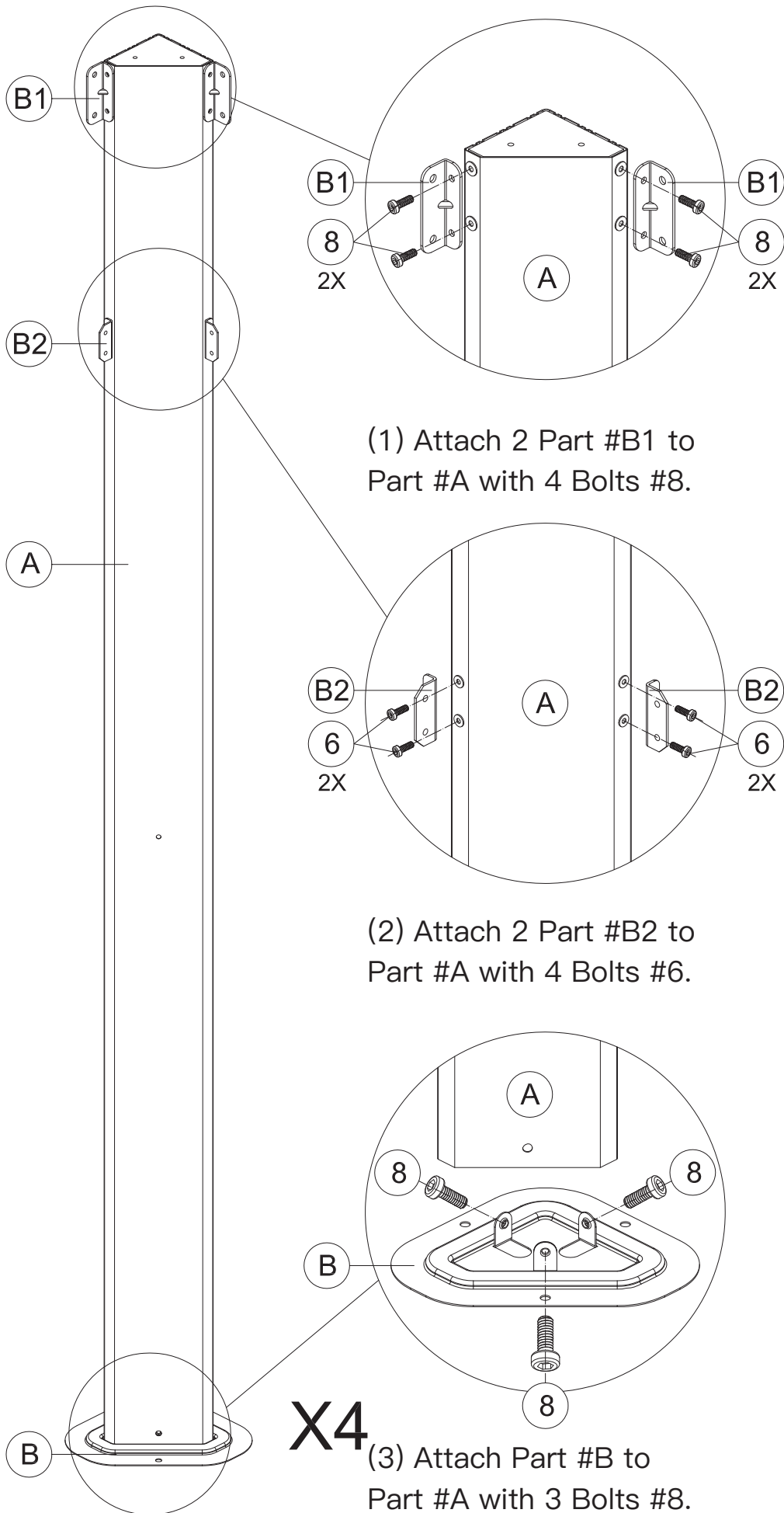
M5x32

9 8x



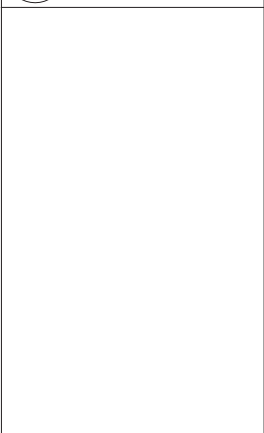
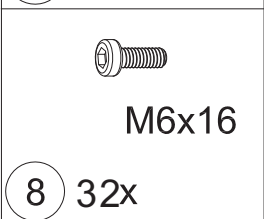
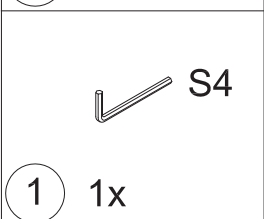
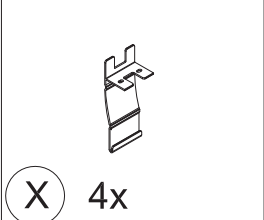
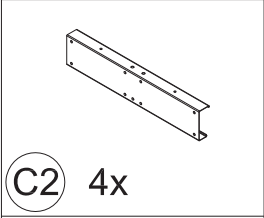
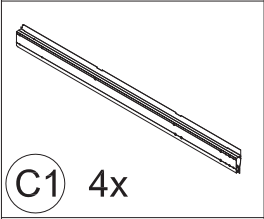
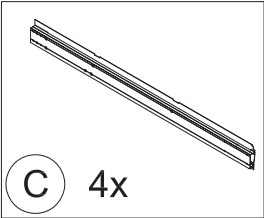
3

	A 4x
	B 4x
	B1 8x
	B2 8x
	S4
1 1x	
	6 16x M5x12
	8 28x M6x16
4	

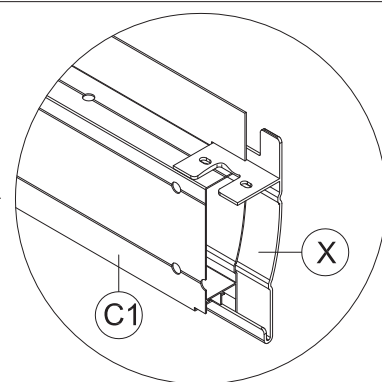
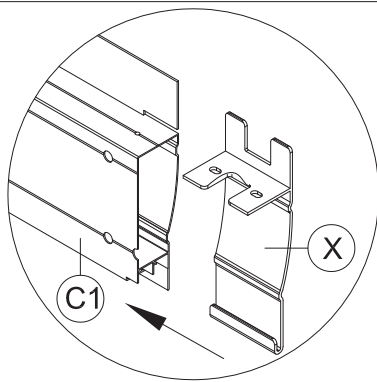


X4

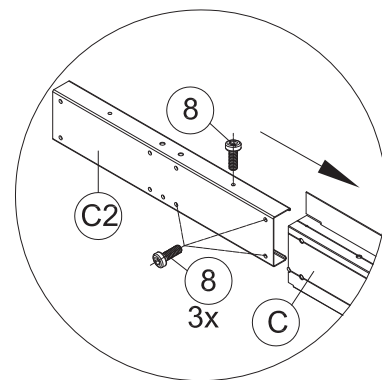
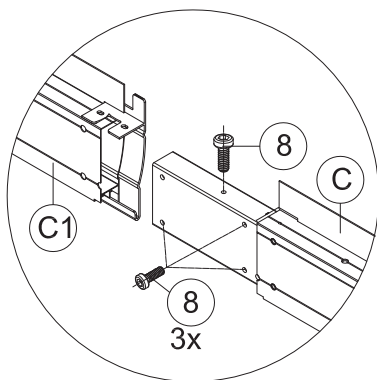
(4) Repeat the above procedures to assemble the other three Part #A.



5

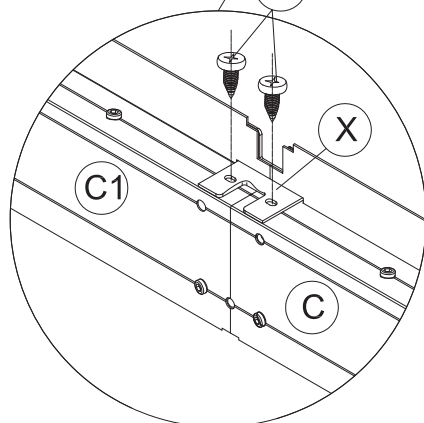
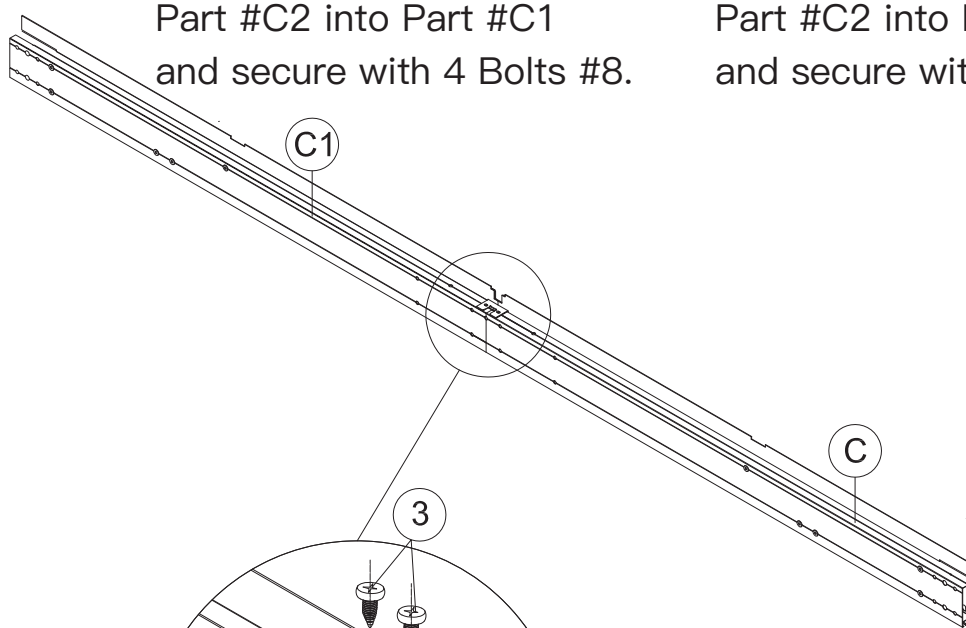


(1) Insert Part #X into Part #C1.



(3) Insert the other side of Part #C2 into Part #C1 and secure with 4 Bolts #8.

(2) Insert one side of Part #C2 into Part #C and secure with 4 Bolts #8.

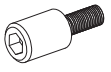


(4) Secure Part #X with 2 Bolts #3.

(5) Repeat the above procedures to assemble the other three sides.

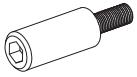


1 1x



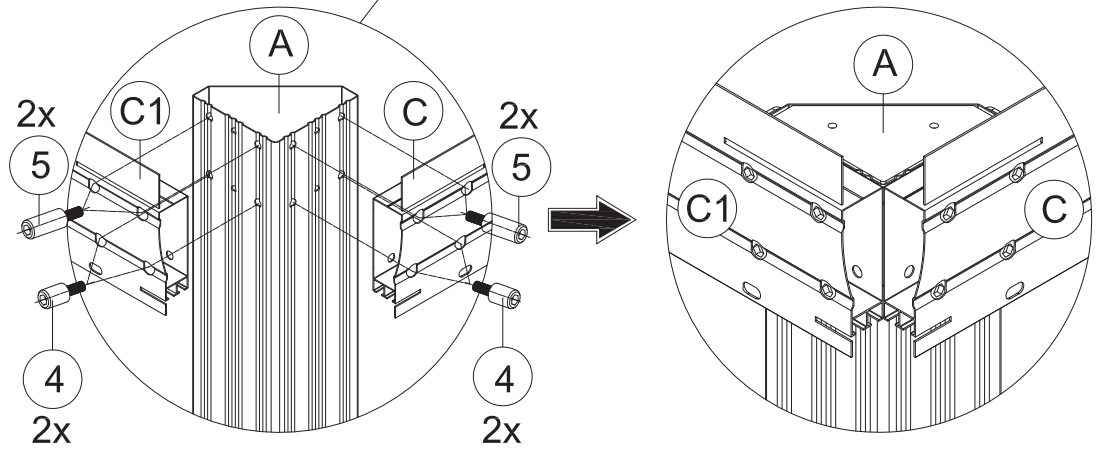
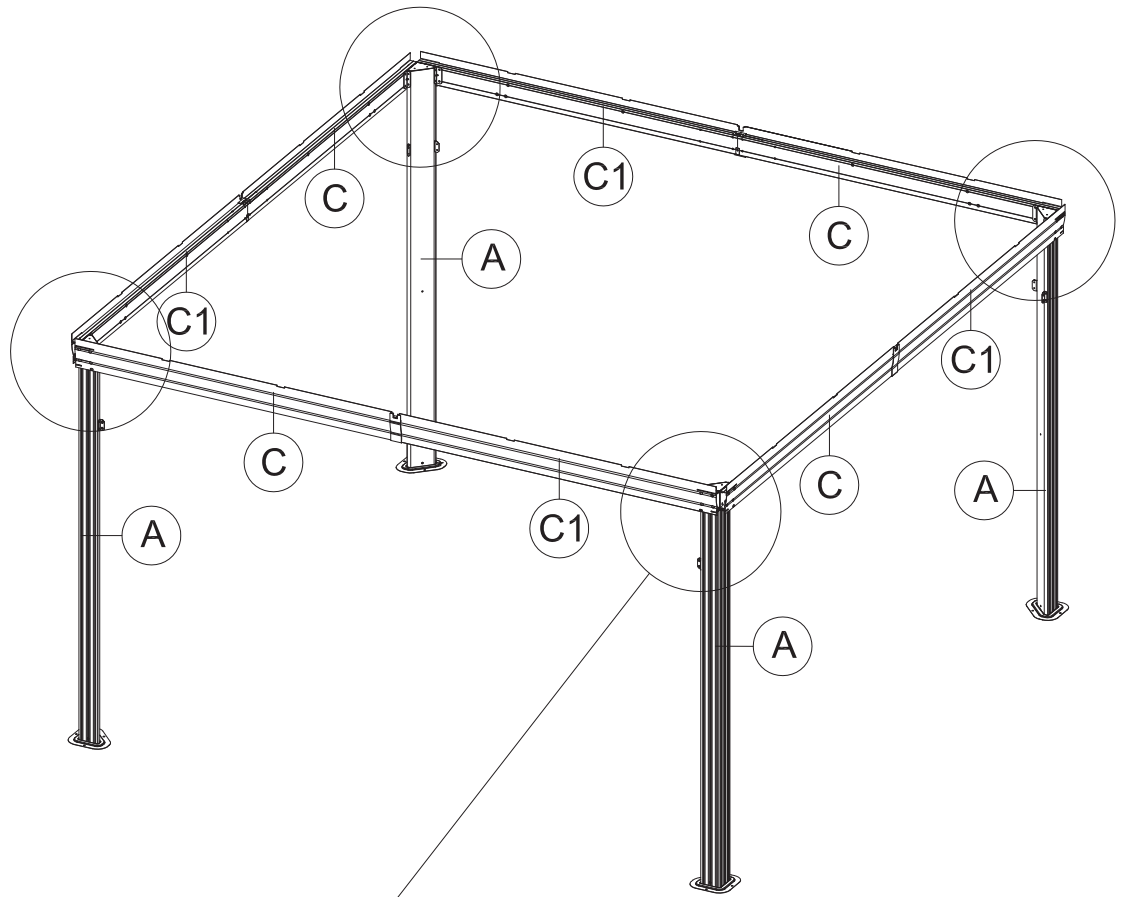
M6x15

4 16x



M6x15

5 16x



(1) Connect Part #C and #C1 to Part #A with 4 Bolts #4 and 4 Bolts #5 (From Outside).

(2) Repeat the above procedures to assemble the other three sides.

▲ Please don't tighten all the bolts.

✓ S4

1 1x

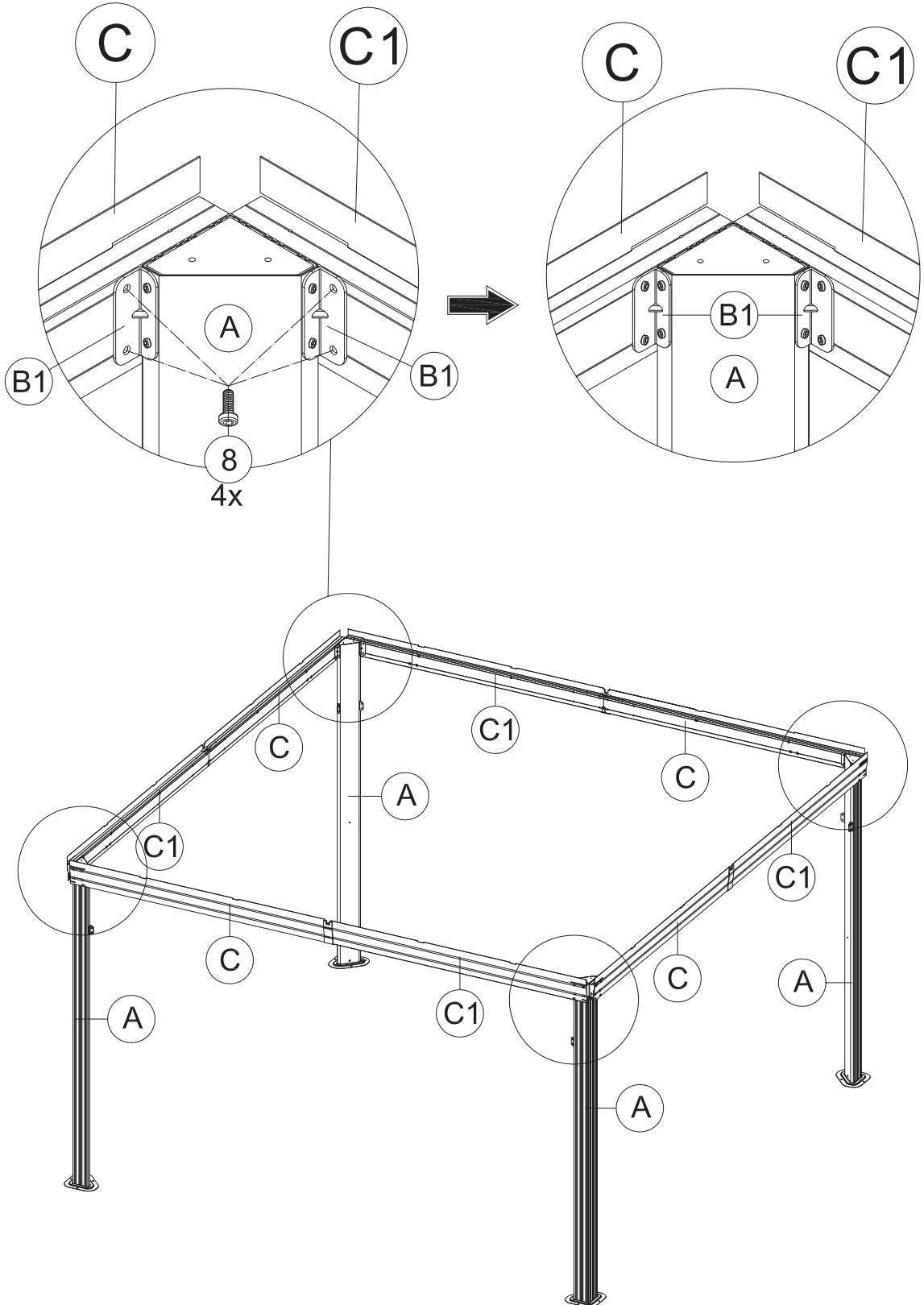


M6x16

8 16x

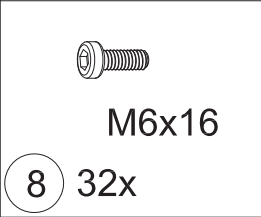
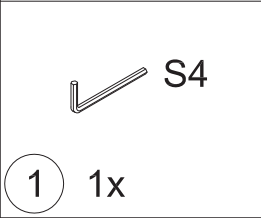
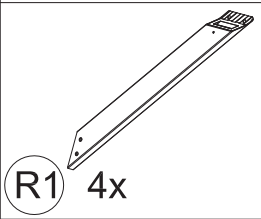
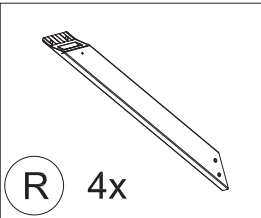
(1) Connect Part #C and #C1 to Part #A with 4 Bolts #8. (From Inside)

(2) Repeat the above procedures to assemble the other three sides.



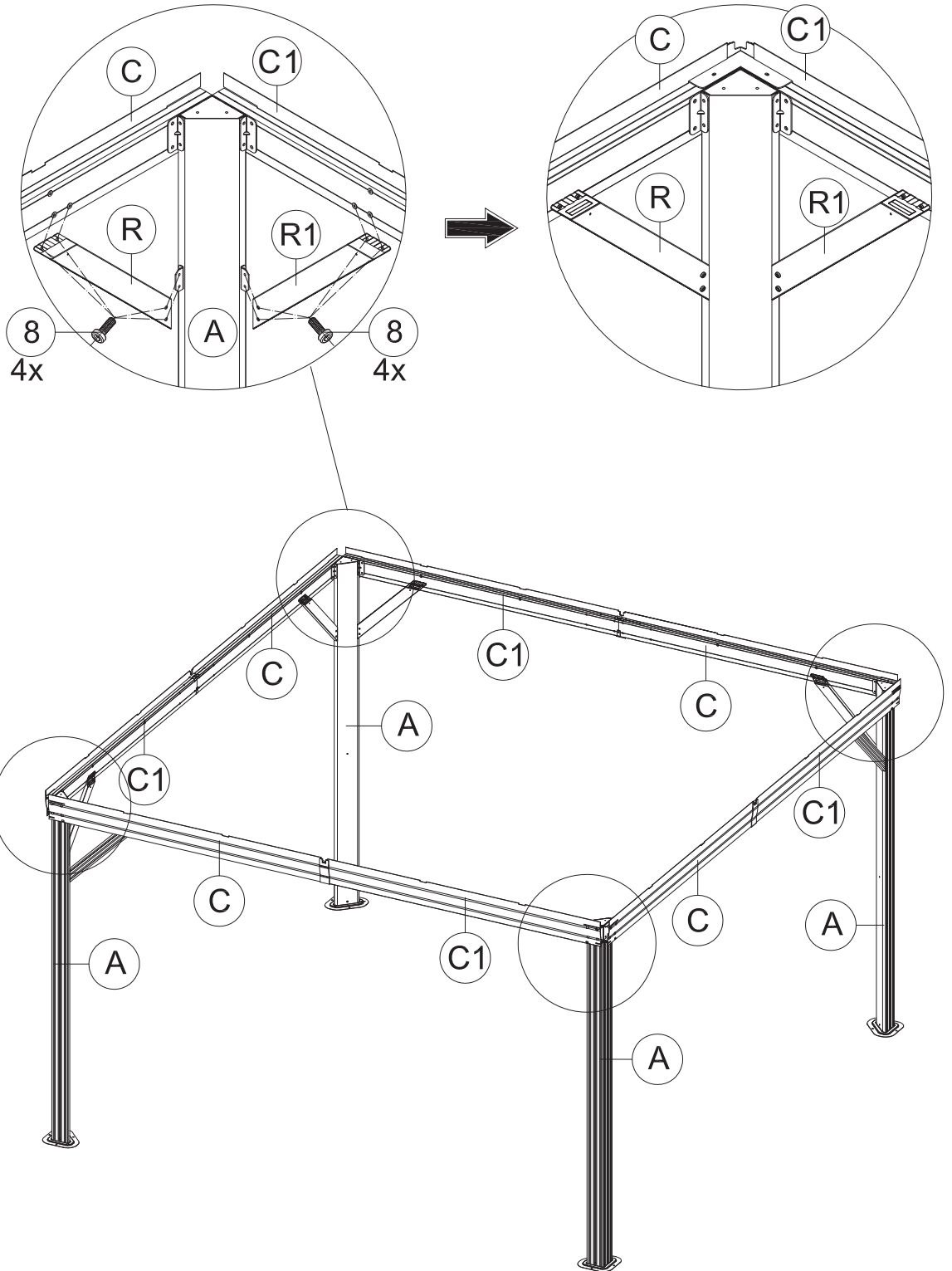
7

▲ Please don't tighten all the bolts.



(1) Affix Part #R and #R1 to the frame with 8 Bolts #8.

(2) Repeat the above procedures to assemble the other three sides.



▲ Please don't tighten all the bolts.



X1 4x



X2 8x



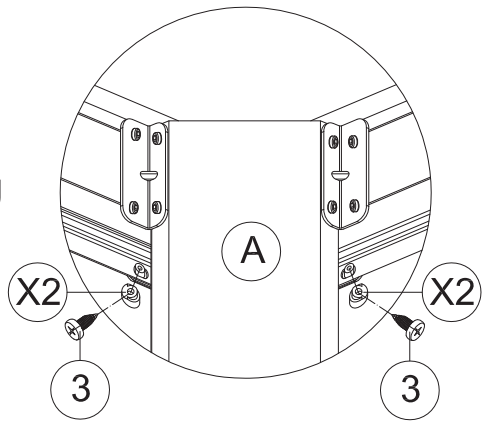
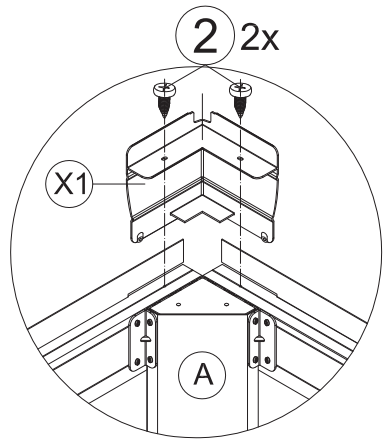
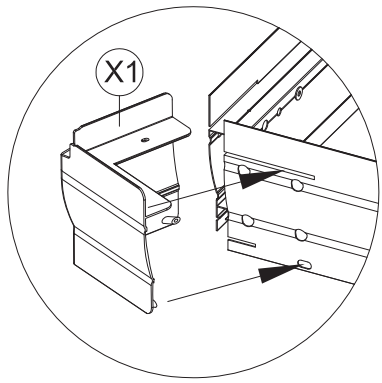
ST4.2x12

2 8x



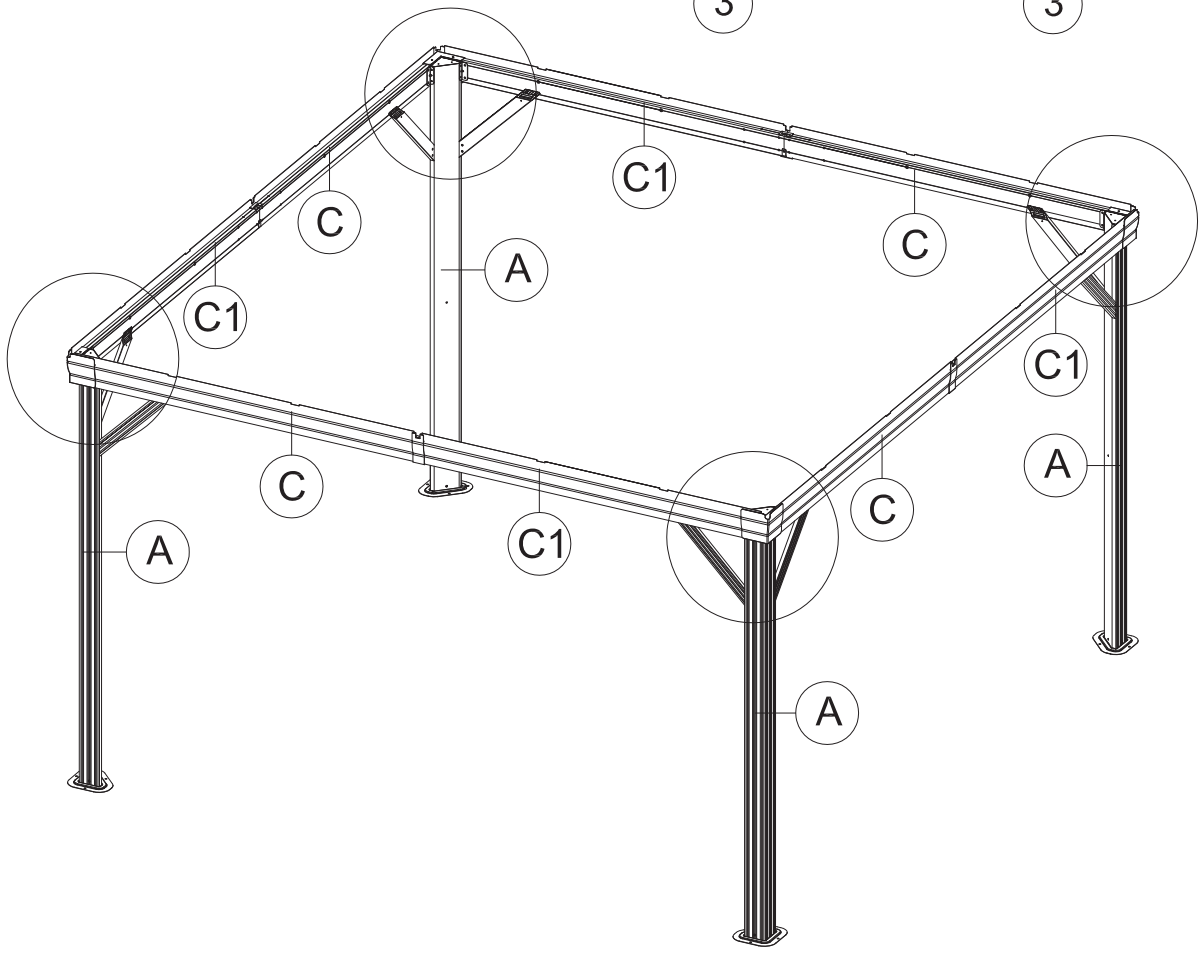
ST5x16

3 8x



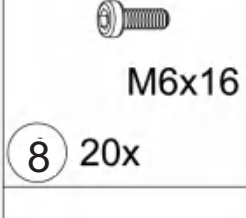
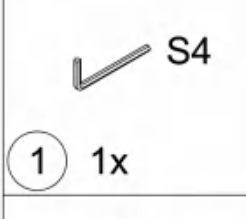
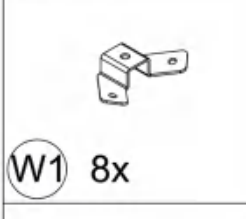
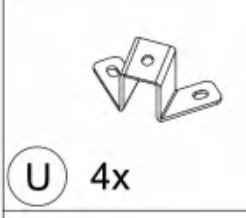
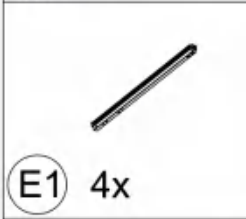
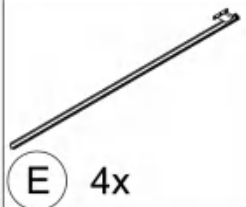
(1) Cover the corner with Part #X1 and secure with 2 Bolts #2.

(2) Put Part #X2 on the protruding place and secure with 2 Bolts #3.



(3) Repeat the above procedures to assemble the other three sides.

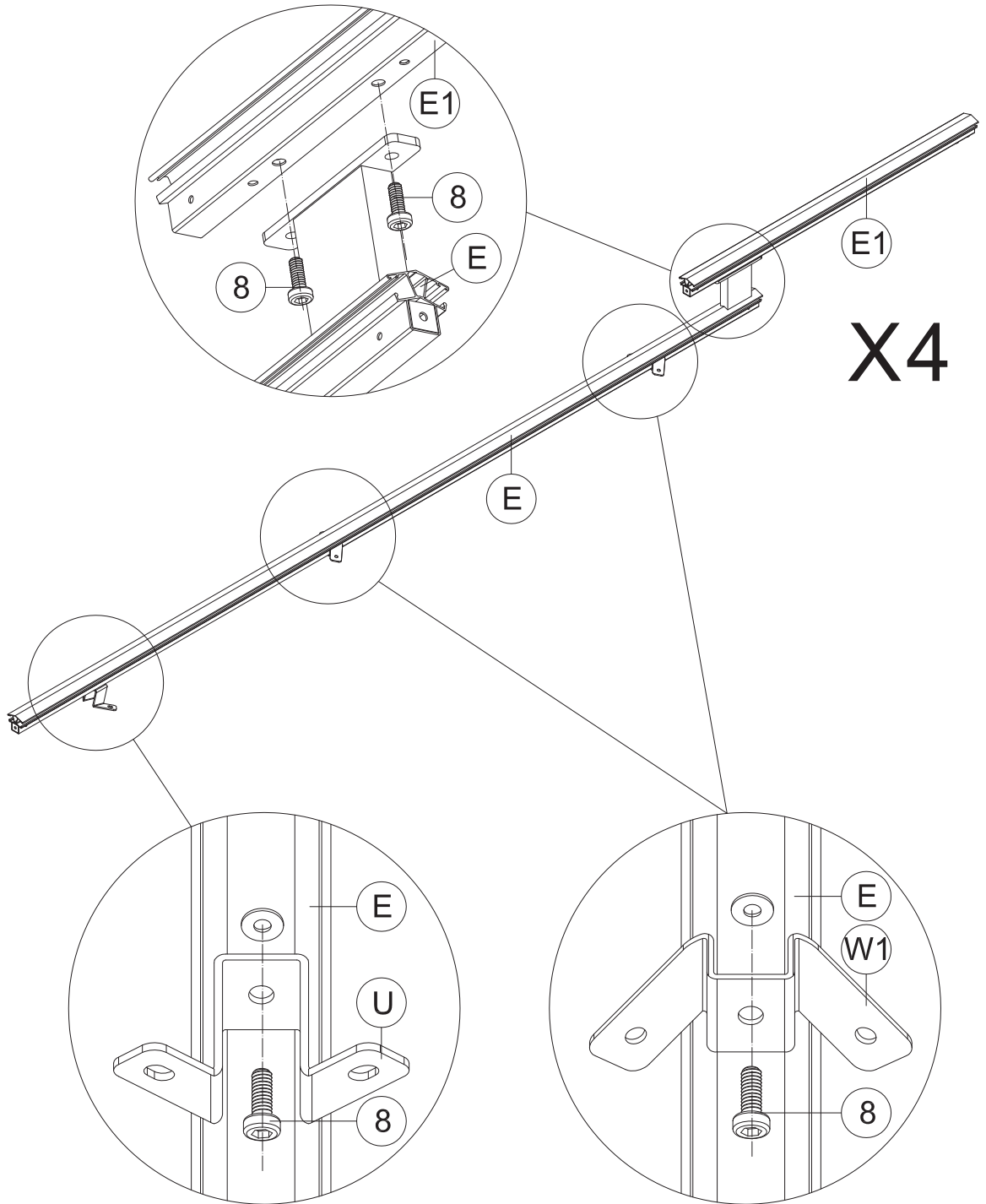
▲ Tighten all the bolts.



10

Assemble the 4 Corner Roof Bars:

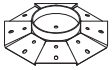
(1) Connect Part #E1 and Part #E with 2 Bolts #8 .



(2) Attach Part #U to Part #E with Bolts #8.

(3) Attach 2 Part #W1 to Part #E with 2 Bolts #8.

(4) Repeat the above procedures to assemble the other sides.



S 1x



1 1x



M6x16

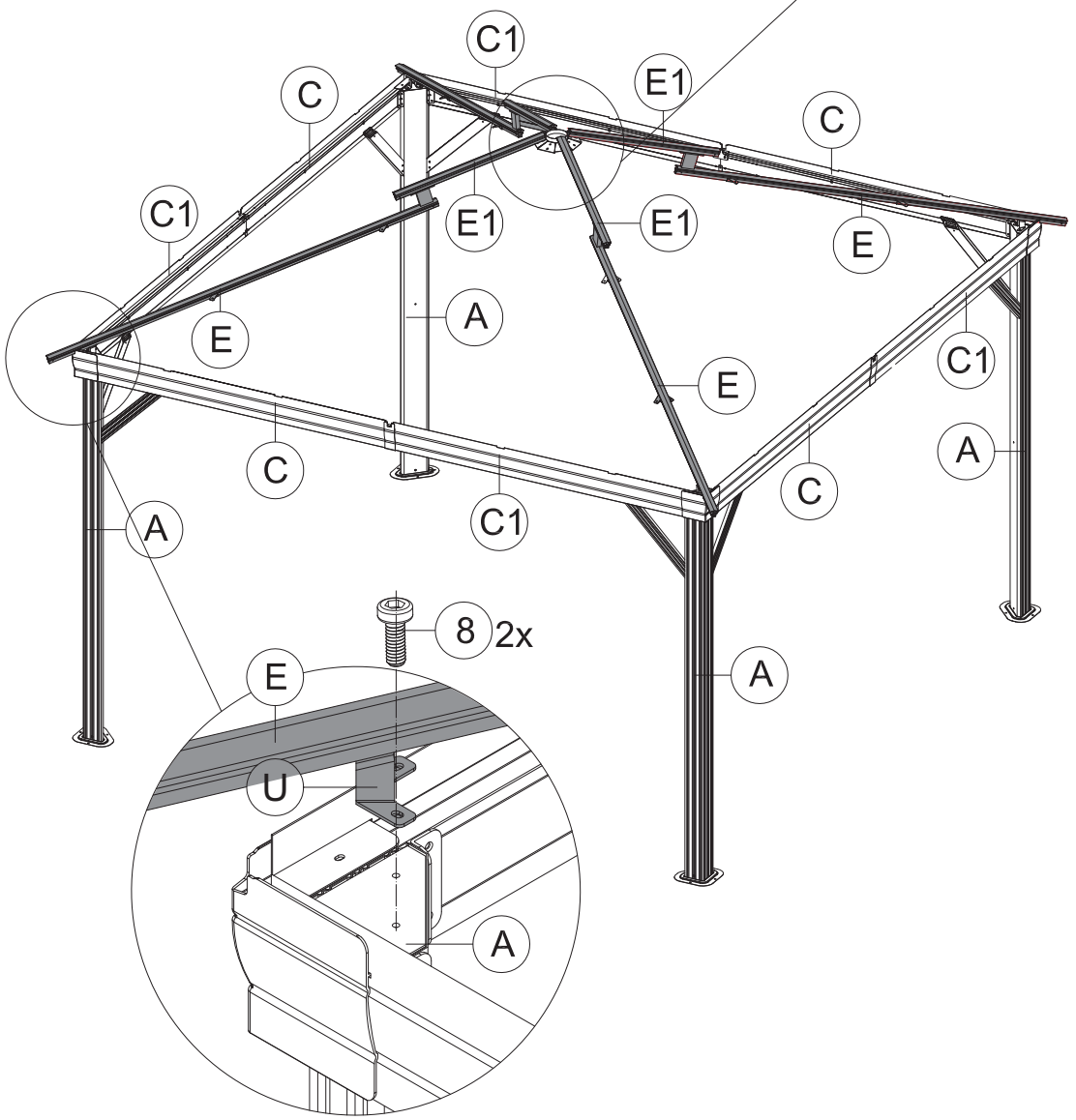
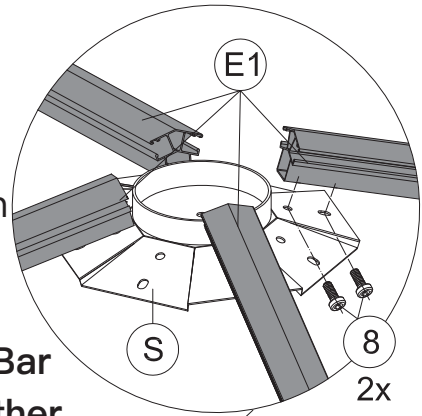
8 16x

(1) Please have a freestanding ladder ready at the center of the gazebo.

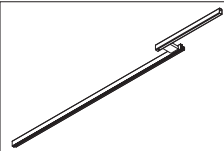
(2) Place 4 Part #E1 on Part #S; secure with 8 Bolts #8 (from bottom to top).

ATTENTION: You can also finish this step on the ground and then lift 4 Corner Roof Bar and Inside Roof Connector to the top together. (Need 2 people and 2 ladders)

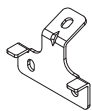
Outside View



(3) Place 4 Part #E on 4 Part #A; secure with 8 Bolts #8.



E2 4x



U1 4x



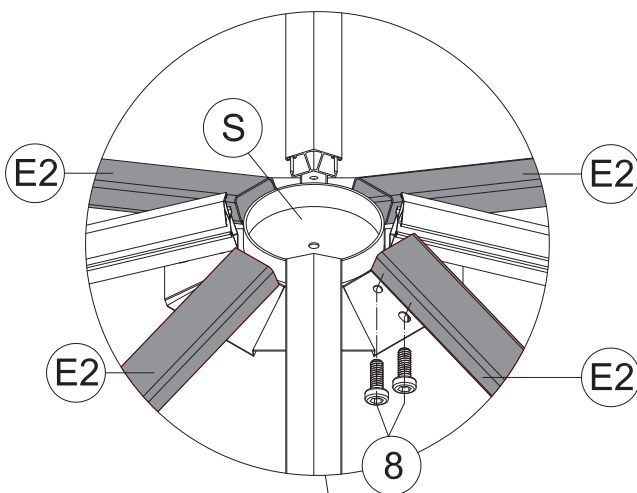
1 1x



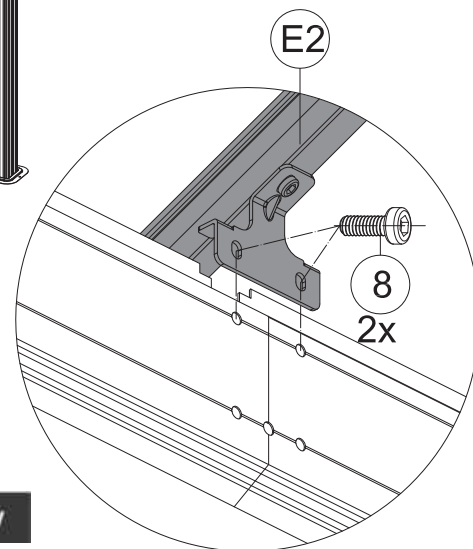
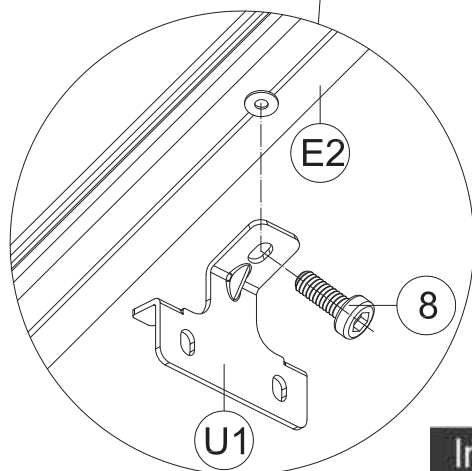
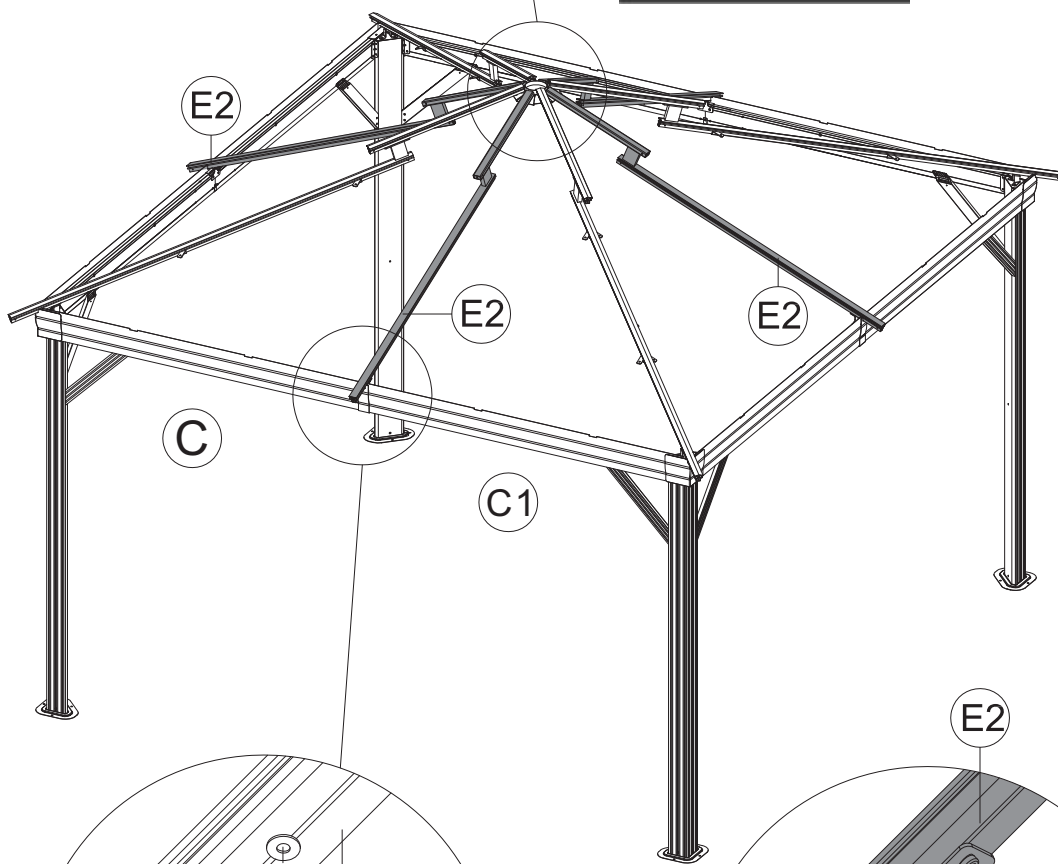
M6x16

8 20x

(1) Place Part #E2 on Part #S;
secure with 2 Bolts #8(from bottom to top).

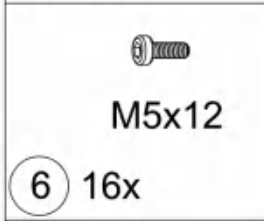
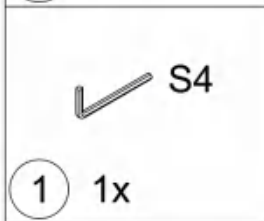
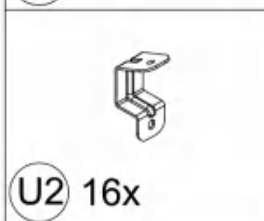
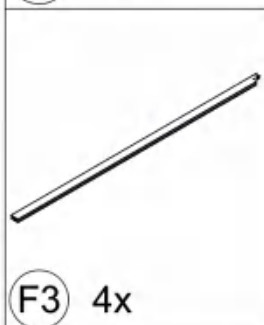
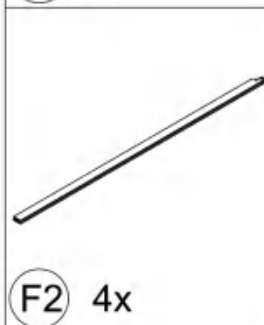
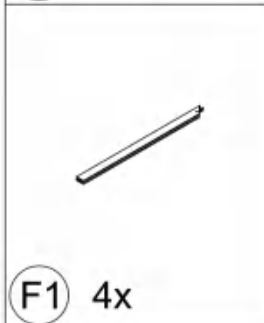
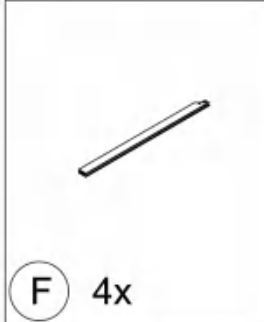


Outside View

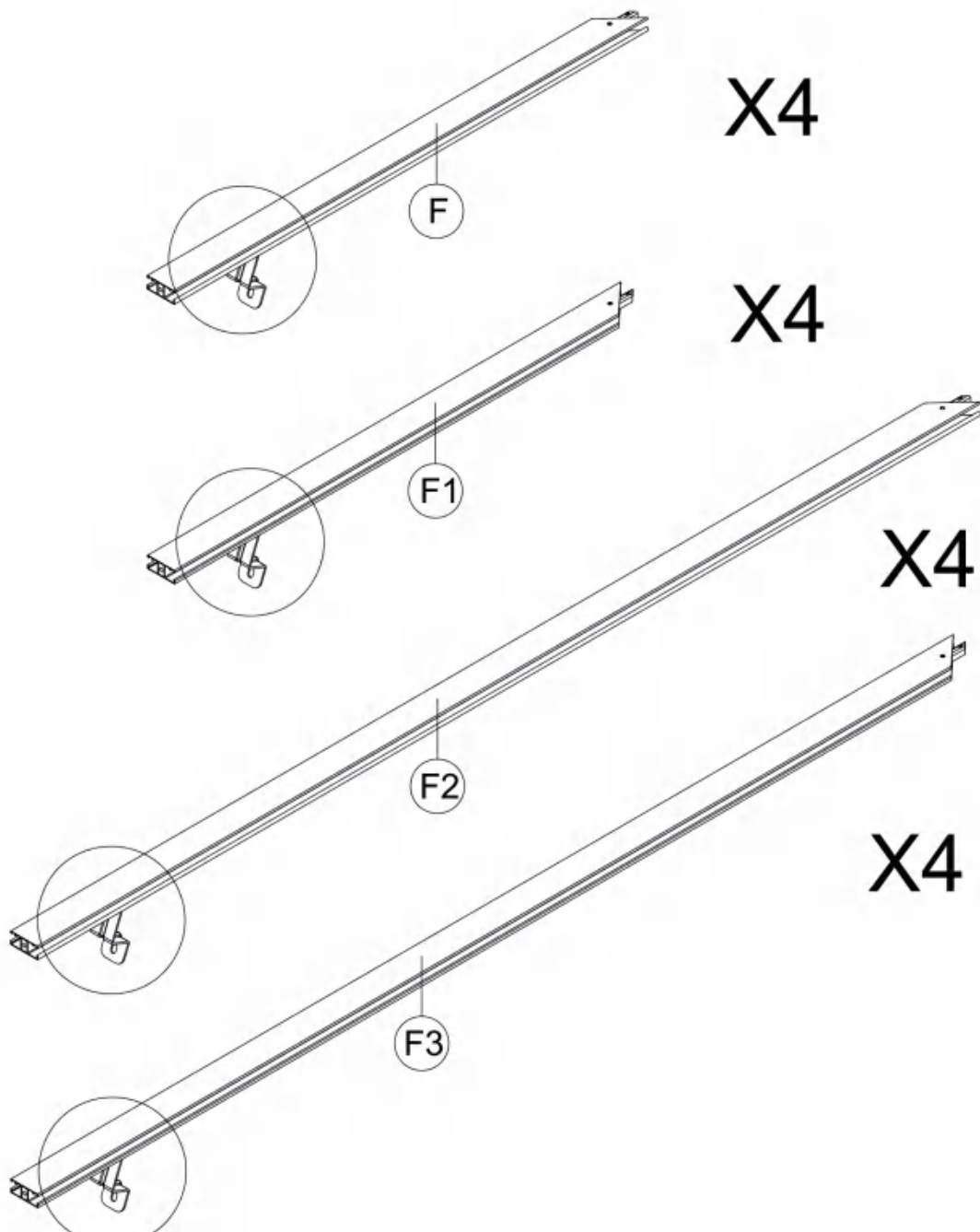


Inside View

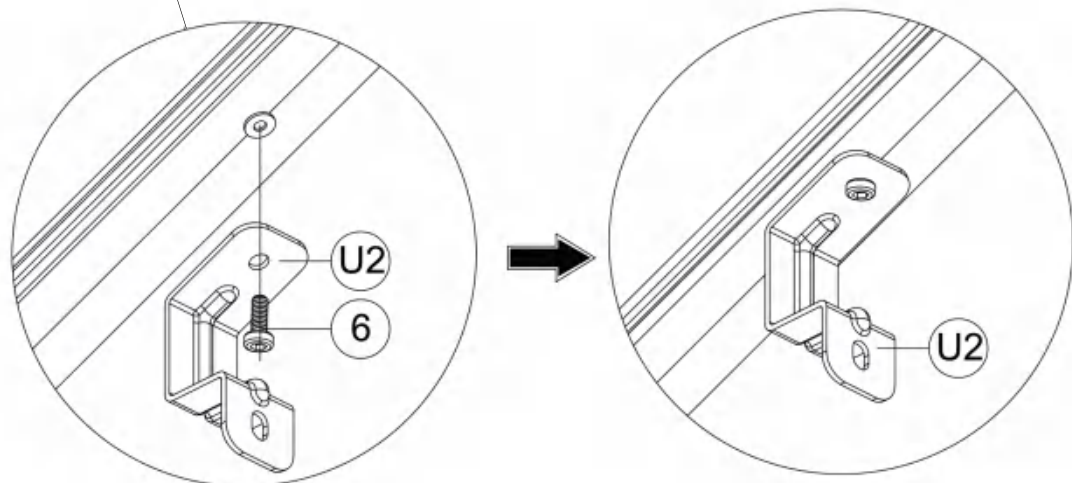
(2) Connect Part #E2 and the Assembled Beam (C&C1)
with Part #U1. Secure with 3 Bolts #8.
(3) Repeat the above procedures to assemble the other three side.



13



(1) Attach Part #U2 to Part #F/F1/F2/F3 with Bolt #6.
 (2) Repeat the above procedures to assemble the other 3 pieces.





S4

1 1x



M5x12

6 16x

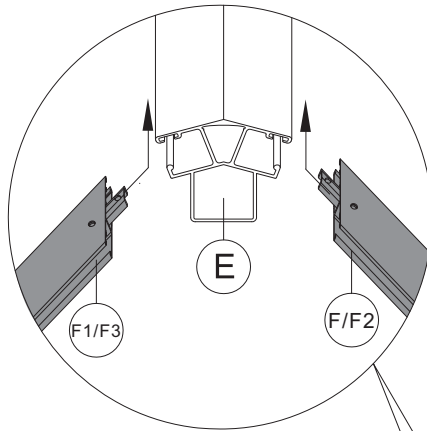


M6x16

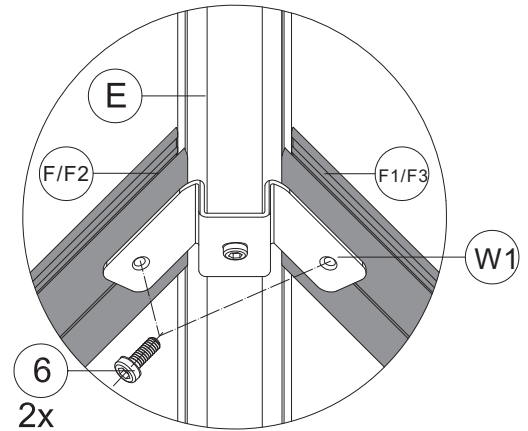
8 16x

(1) Insert Part #F2 and Part #F3 into Corner Roof Bar Part #E; secure with 2 Bolts #6.

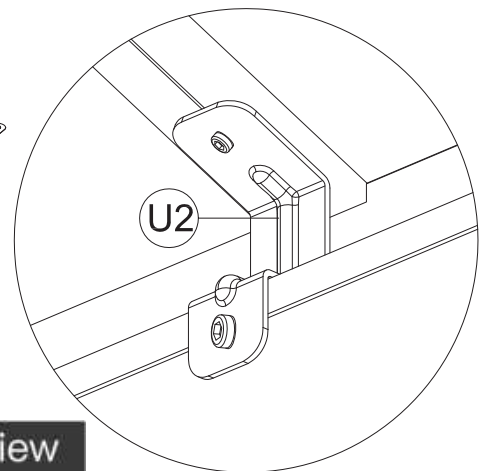
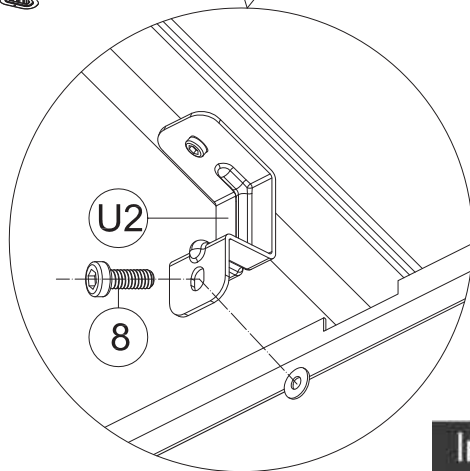
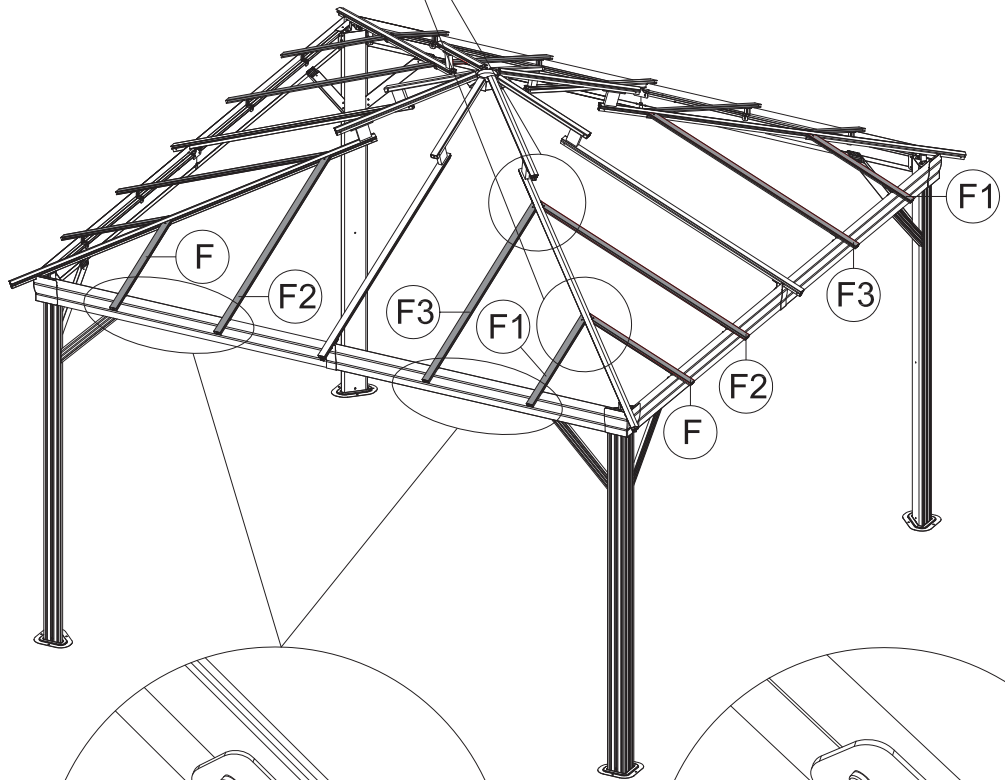
(2) Insert Part #F and Part #F1 into Corner Roof Bar Part #E; secure with 2 Bolts #6.



Outside View



Inside View

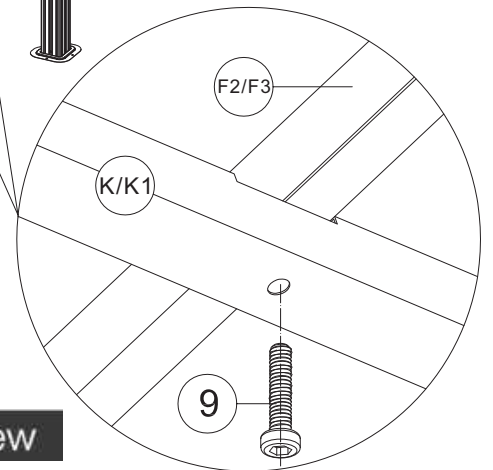
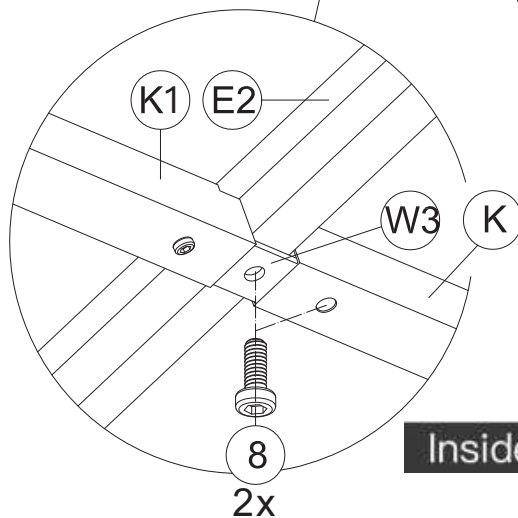
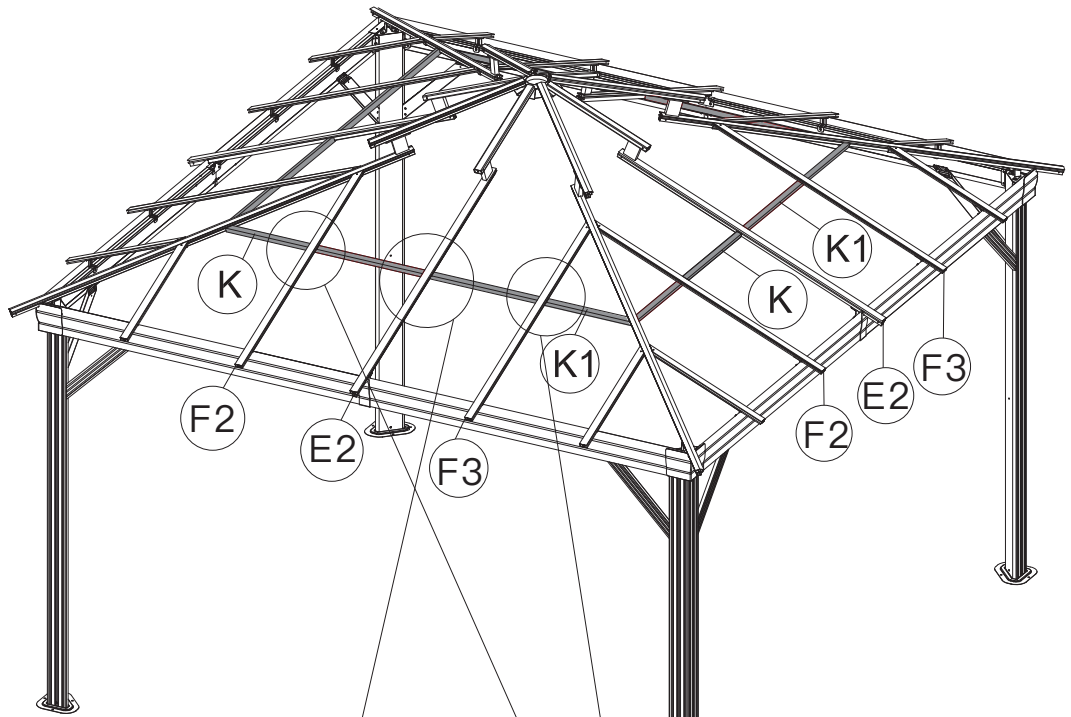
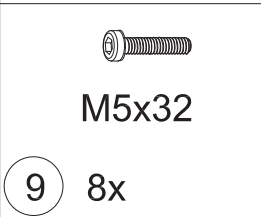
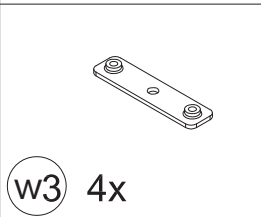
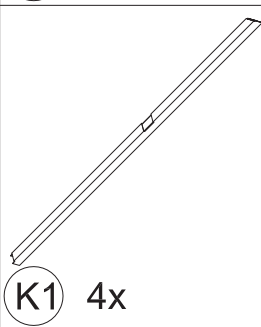
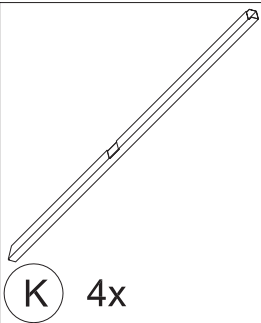
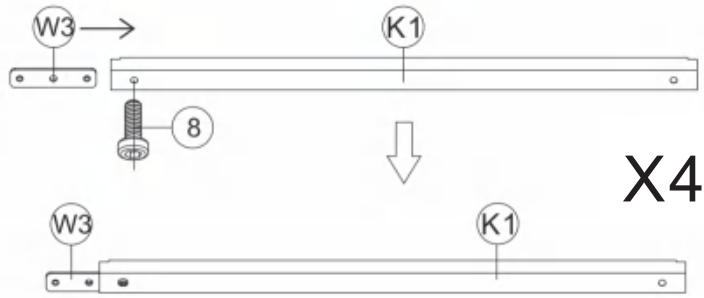


Inside View

(3) Connect Part #F/F1/F2/F3 and the Assembled Beam with Part #U2; secure with Bolt #8.

(4) Repeat the above procedures to assemble the other three sides.

(1) Insert Part #W3 to Part #K1 and secure with Bolt #8.



(2) Attach Part #K and Part #K1 with Part #W3 and 2 Bolts #8.

(3) Connect Part #K (K1) and Part #F2 (F3) with Bolt #9.

(4) Repeat the above procedures to assemble the other three sides.



W2 4x

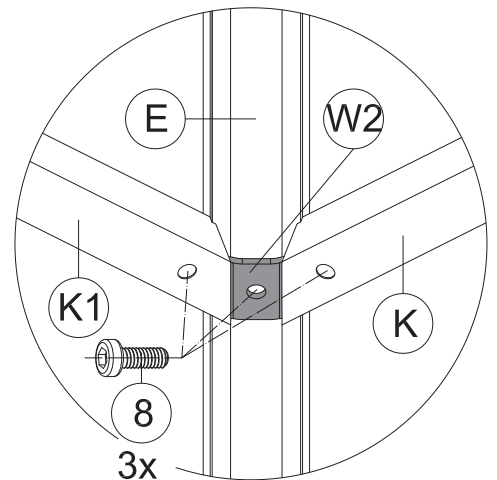
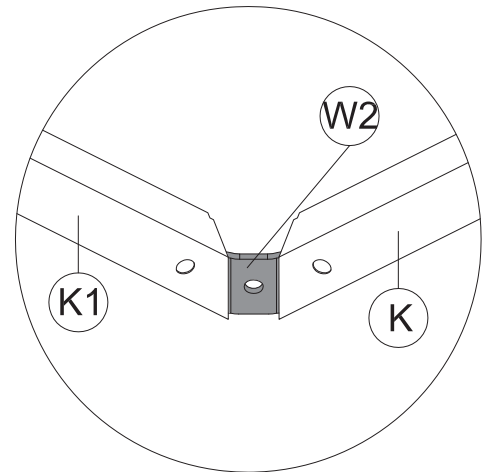
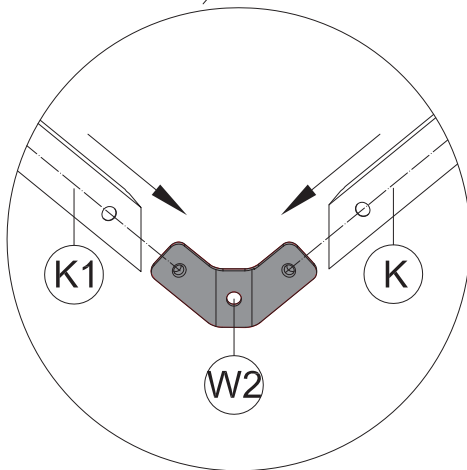
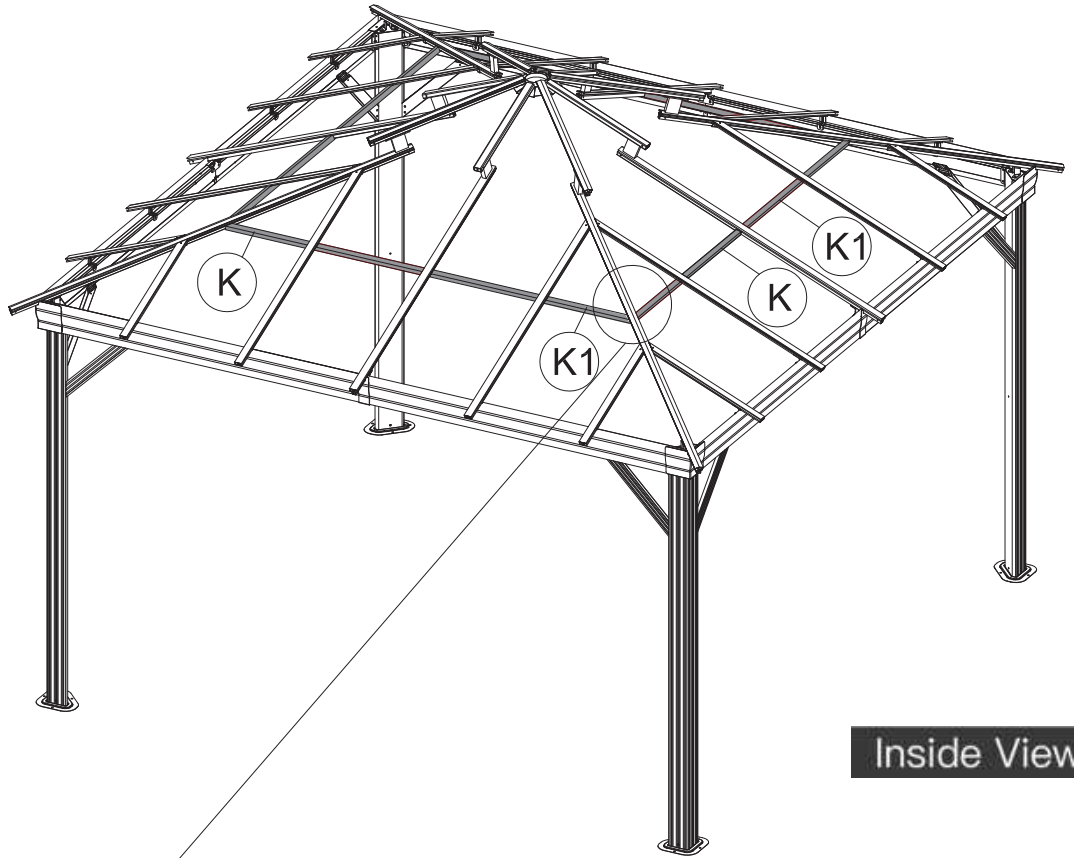


1 1x



M6x16

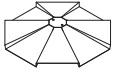
8 12x



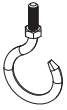
(1) Insert Part #W2 into Part #K1 and Part #K.

(2) Secure them to Part #E with 3 Bolts #8.

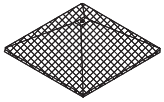
(3) Repeat the above procedures to assemble the other three sides.



(S1) 1x



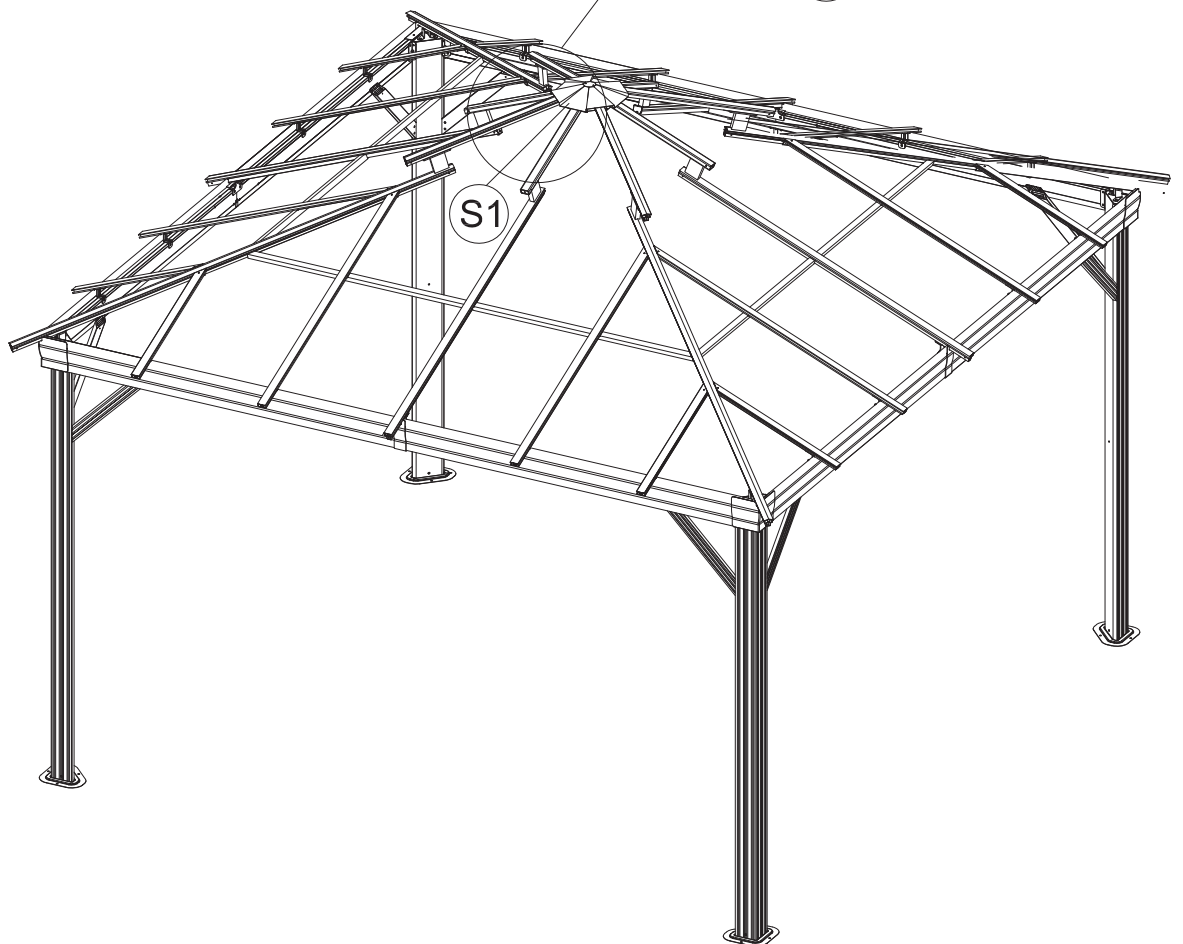
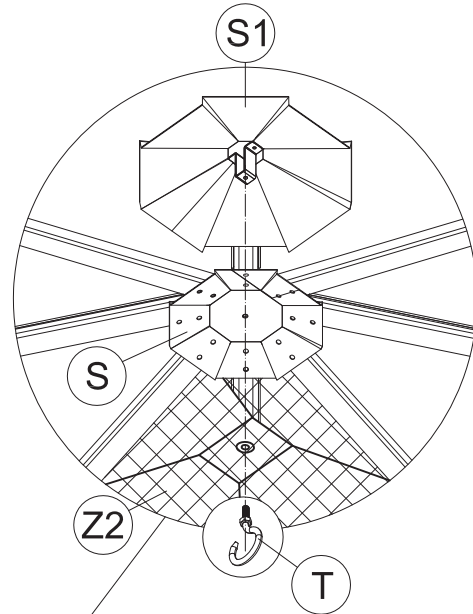
(T) 1x

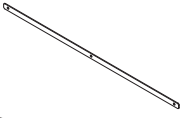


(Z2) 1x Mesh

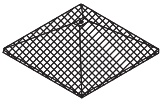
Secure Part #T to Part #Z2, Part #S and Part #S1.
ATTENTION: The holes of Part #Z2, Part #S and Part #S1
need to be aligned, on the same vertical line.

(From bottom to top)



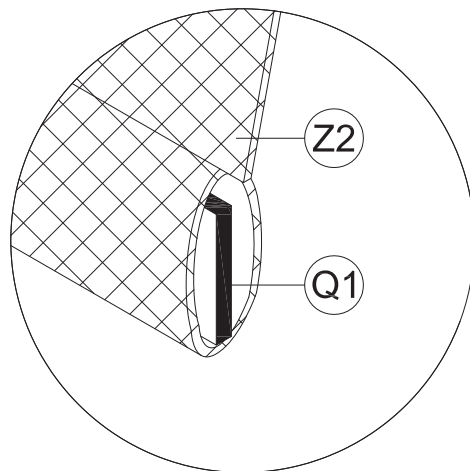
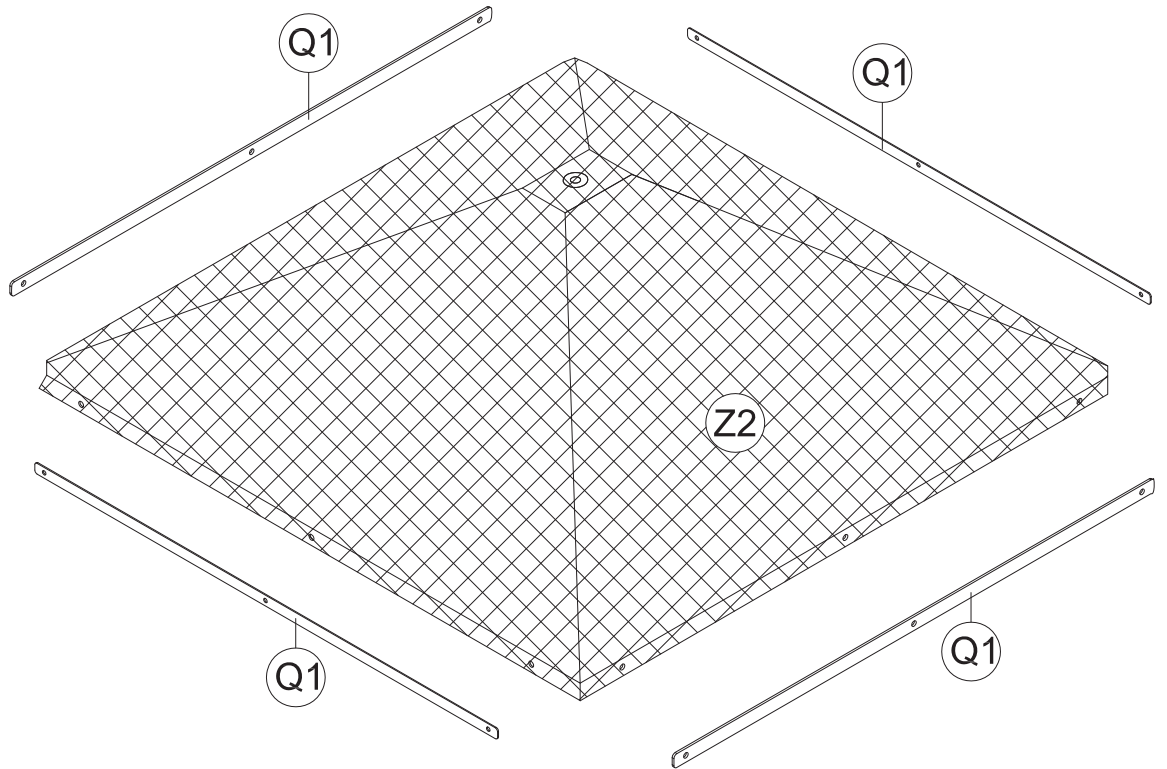


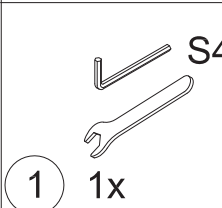
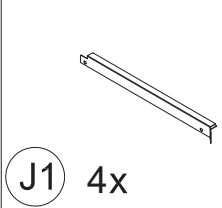
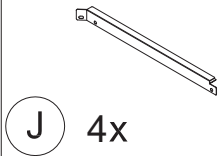
Q1 4x



Z2 1x Mesh

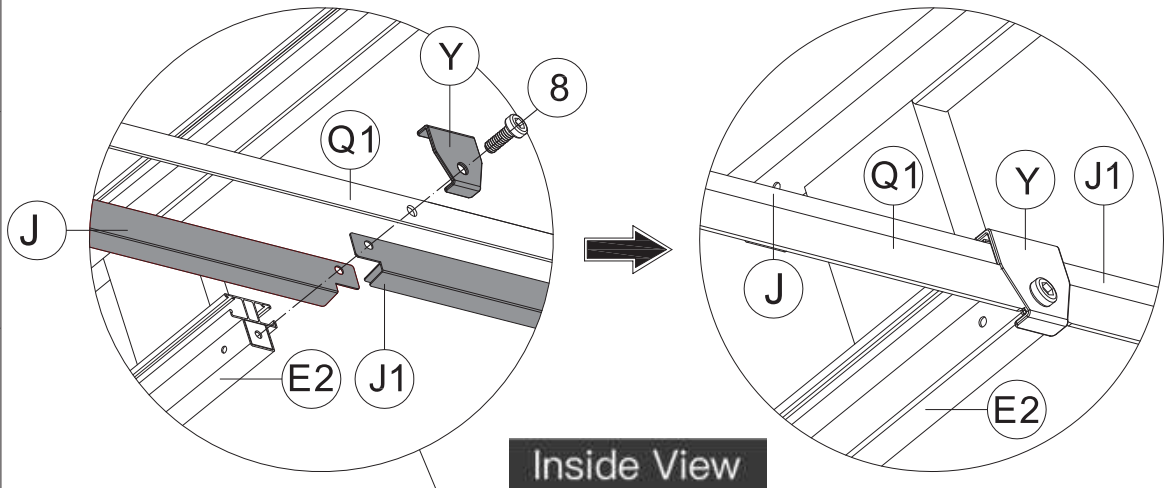
Insert Part #Q1 into the hole that
around the edge of Part #Z2.



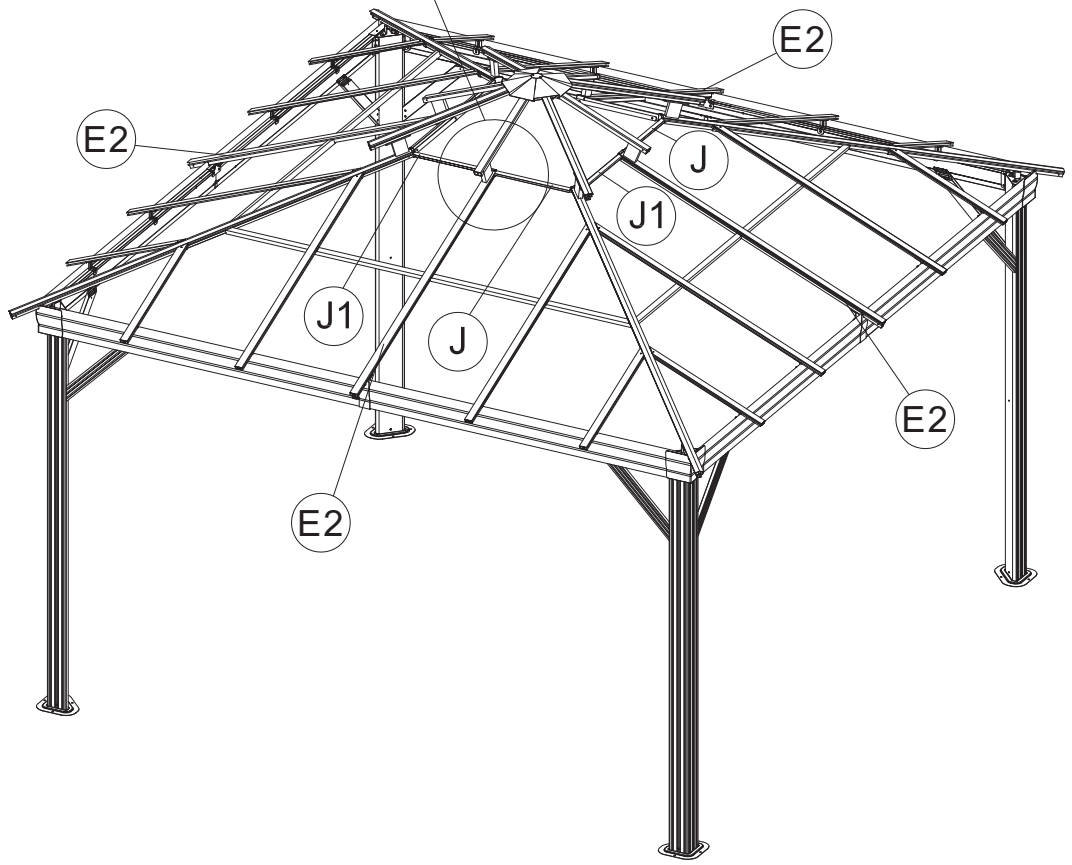


(1) Place Part #J, Part #J1 and Part #Q1 into order on Part #E2; put on Part #Y and secure with Bolt #8.
ATTENTION: The holes need to be aligned.

(2) Repeat the above procedures to assemble the other three sides.



Inside View





Y1 4x



1 1x



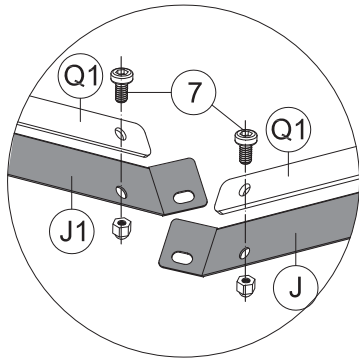
M6x12

7 8x

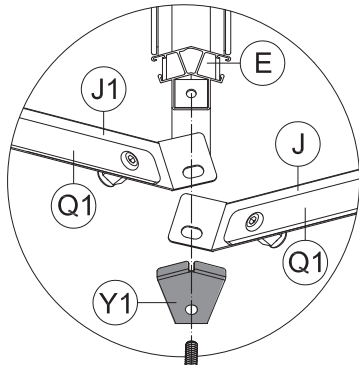


M6x16

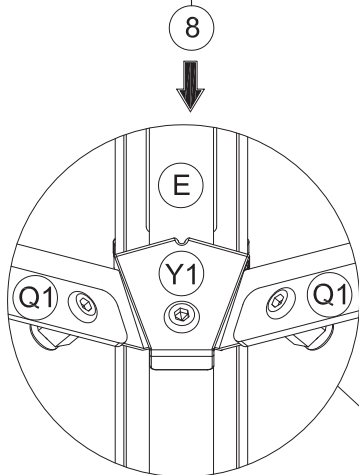
8 4x



(1) Attach Part #Q1 on Part #J&J1 with 2 Bolts and Nuts #7.

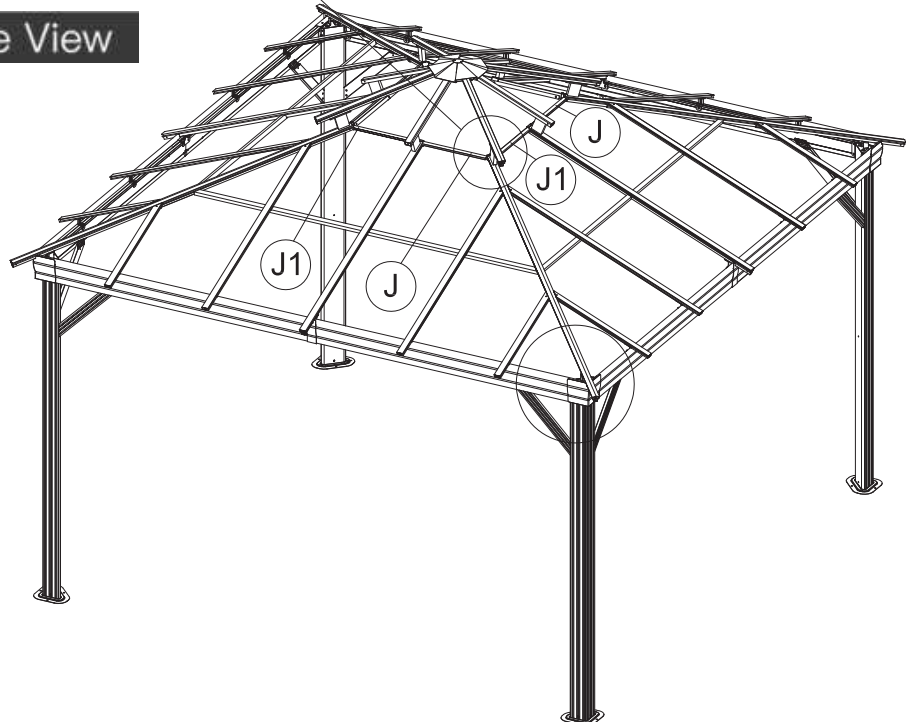


(2) Place Part #Y1 on Part #J/J1 and Part #E, securing with Bolt #8.

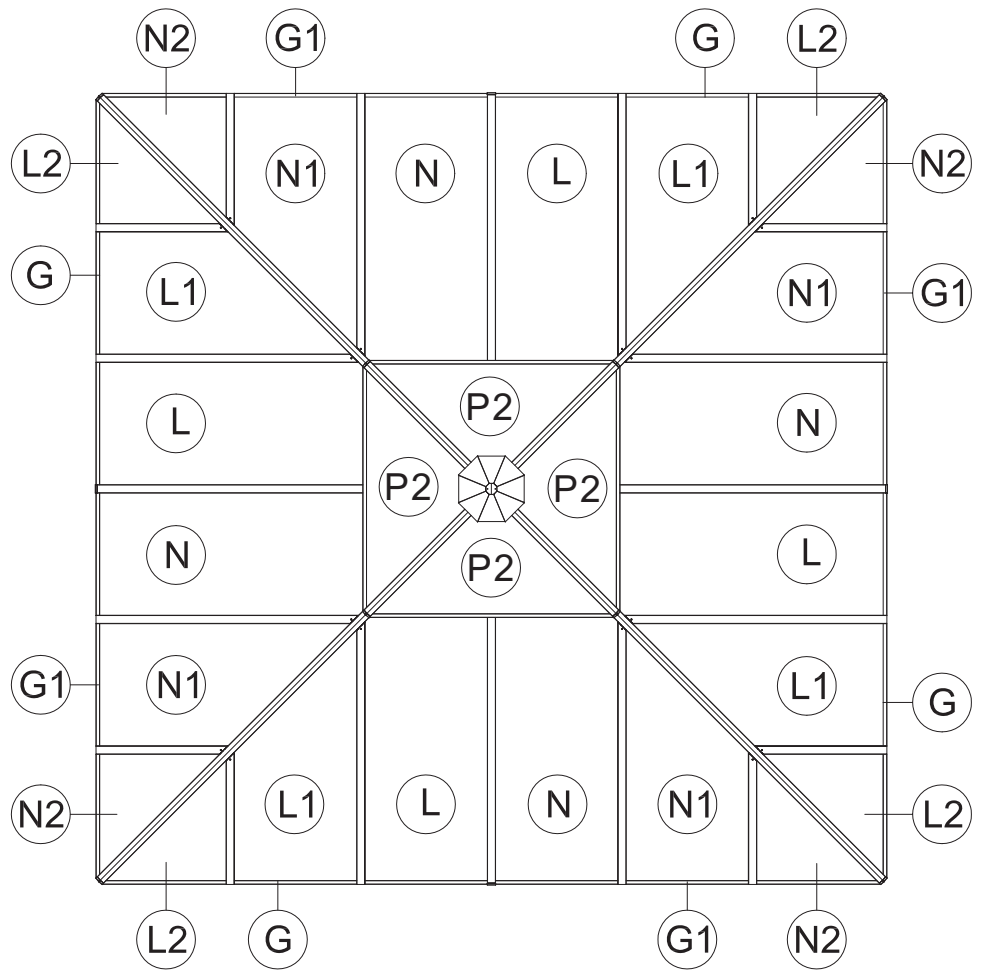


(3) Repeat the above procedures to assemble the other three sides.

Inside View

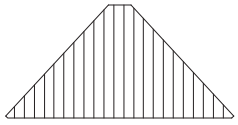


ASSAMBLE ROOF PANELS:





H2 4x



P2 4x

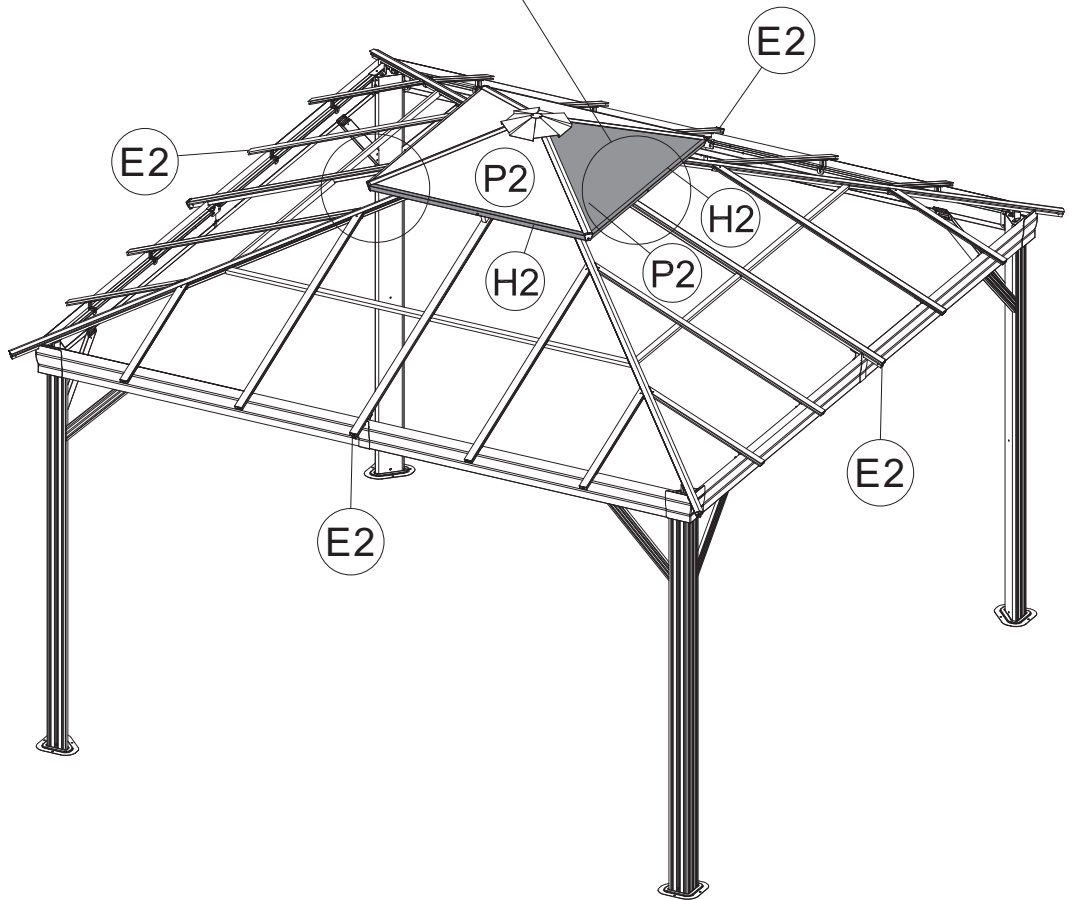
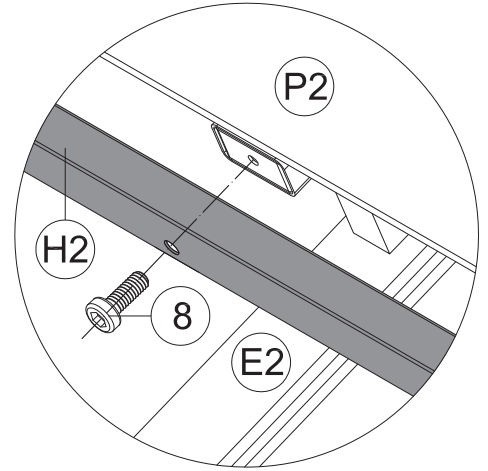
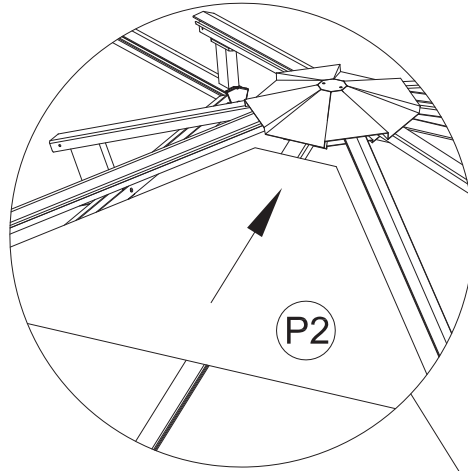


M6x16

8 4x

(1) Insert Part #P2 into the top roof.

(2) Place Part #H2 on Part #E2, securing with Bolt #8.



(3) Repeat the above procedures to assemble the other three sides.

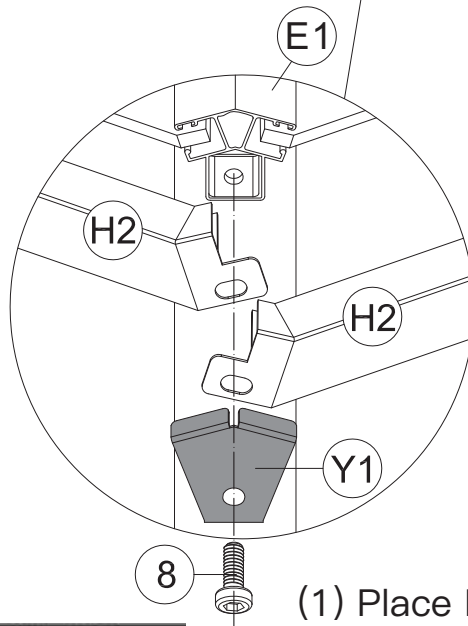
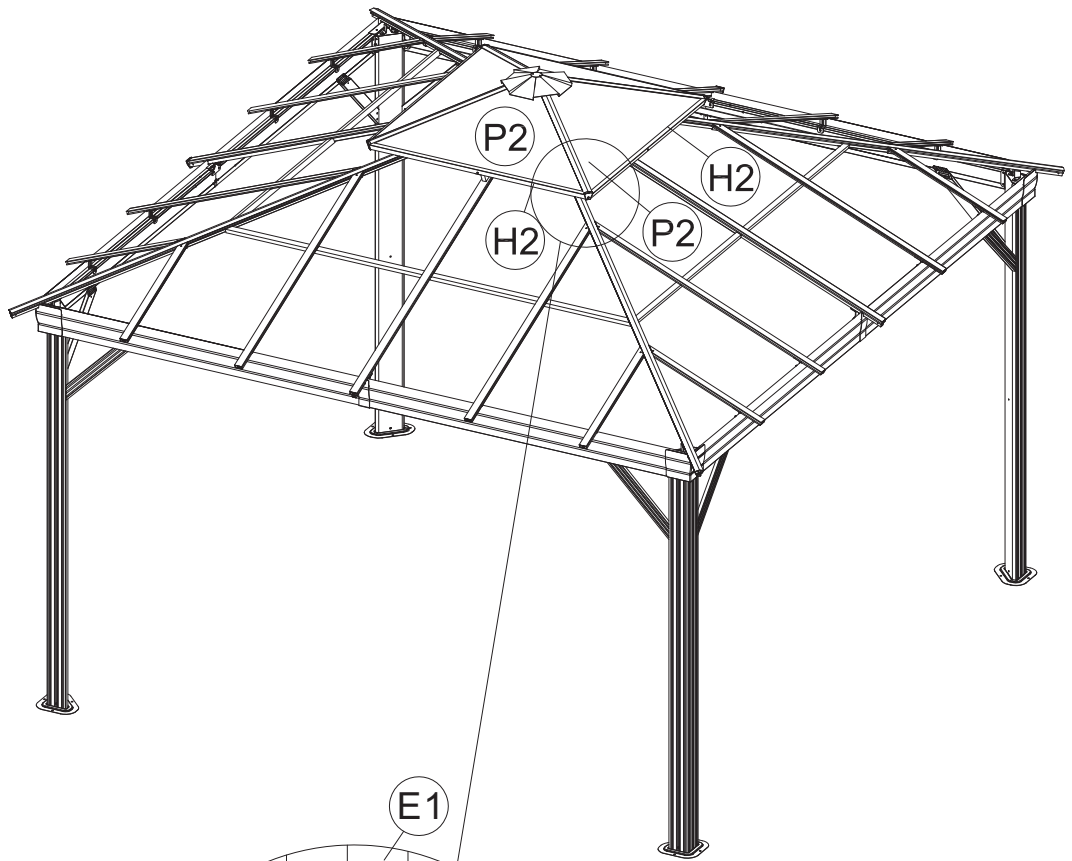


Y1 4x



M6x16

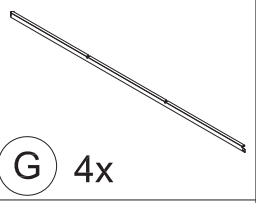
8 4x



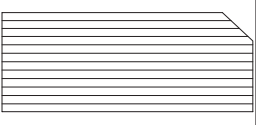
Outside View

(1) Place Part #H2 on Part #E1; put on Part #Y1 and secure with Bolt #8.

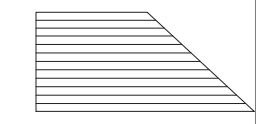
(2) Repeat the above procedures to assemble the other three sides.



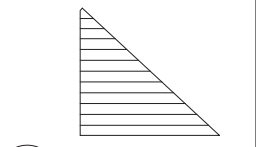
G 4x



L 4x



L1 4x



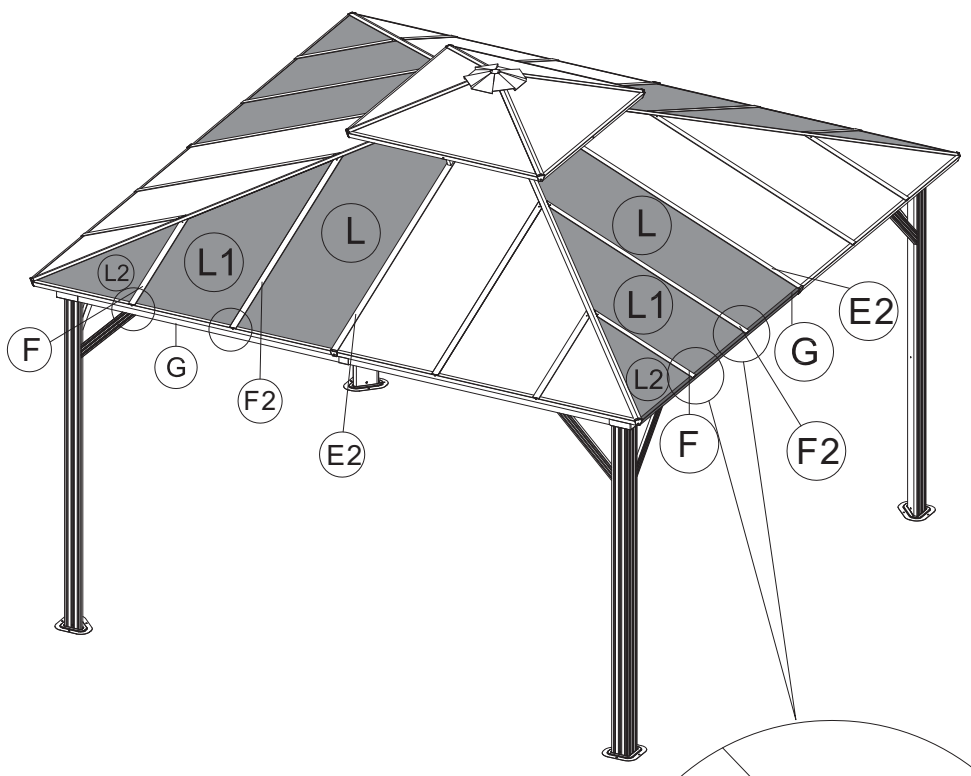
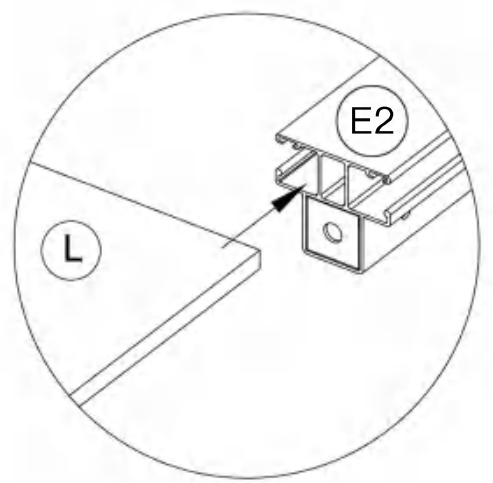
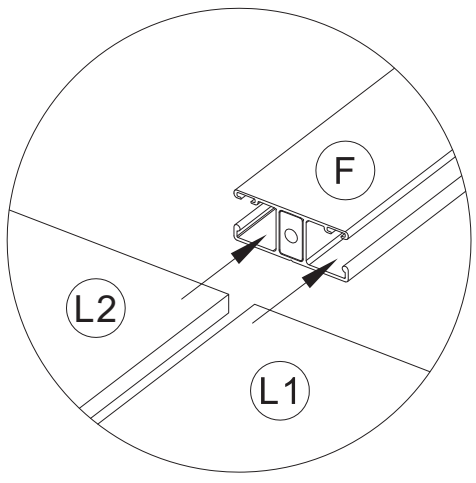
L2 4x



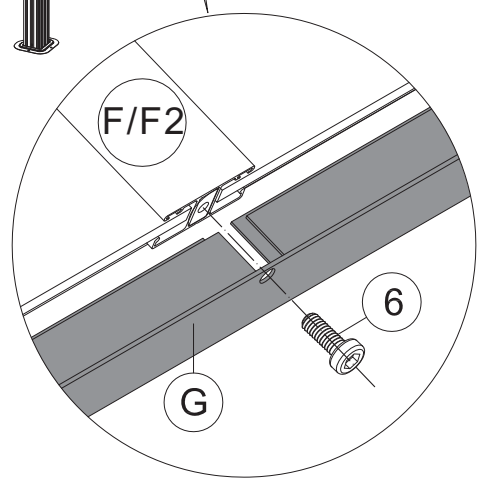
6 8x

M5x12

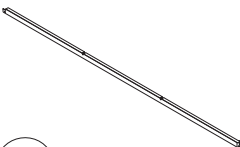
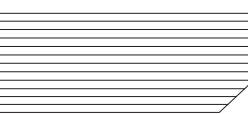
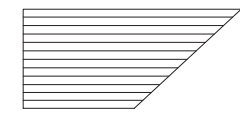
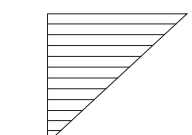

(1) Insert Part #L, Part #L1 and Part #L2 into the frame.



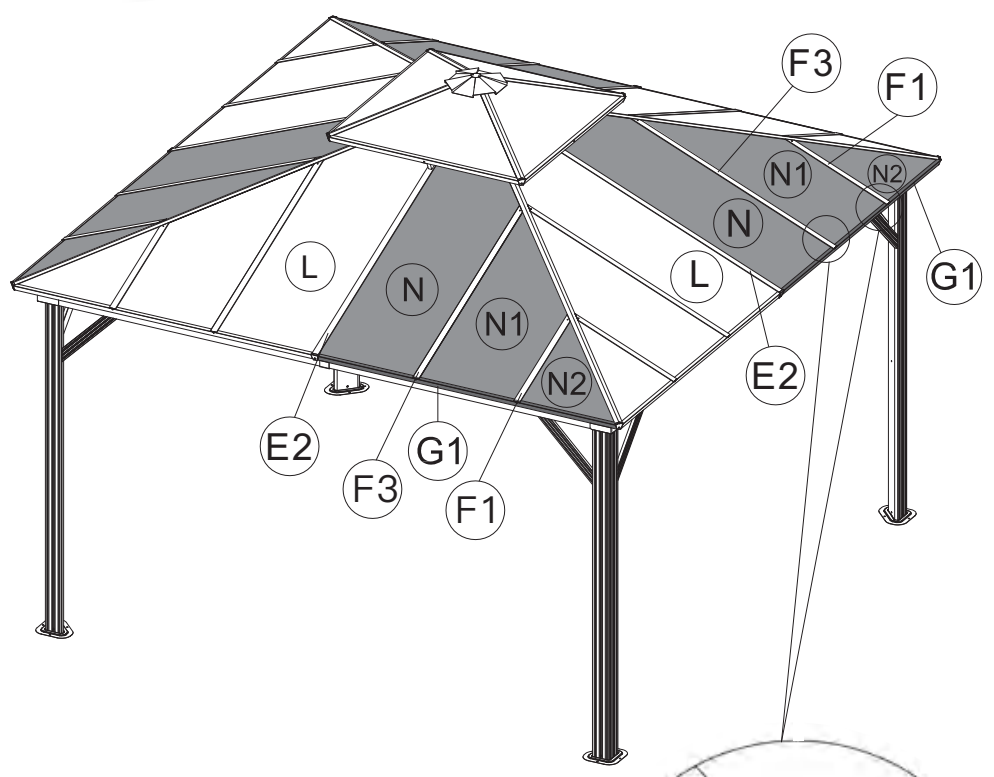
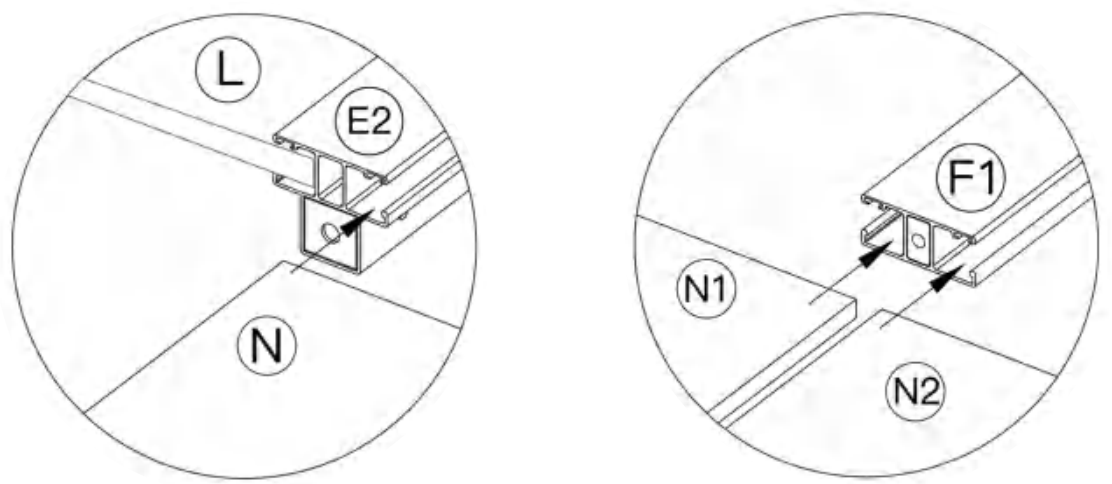
(2) Attach Part #G to the frame, securing with 2 Bolts #6.



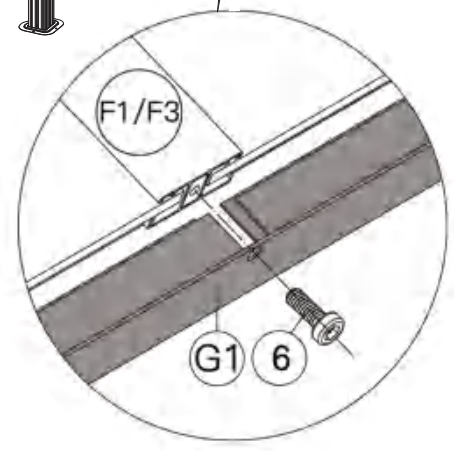
(3) Repeat the above procedures to assemble the other three sides.

-  **G1** 4x
-  **N** 4x
-  **N1** 4x
-  **N2** 4x
-  **6** 8x
M5x12

(1) Insert Part #N, Part #N1 and Part #N2 into the frame;



(2) Attach Part #G1 to the frame, securing with 2 Bolts #6.



(3) Repeat the above procedures to assemble the other three sides.

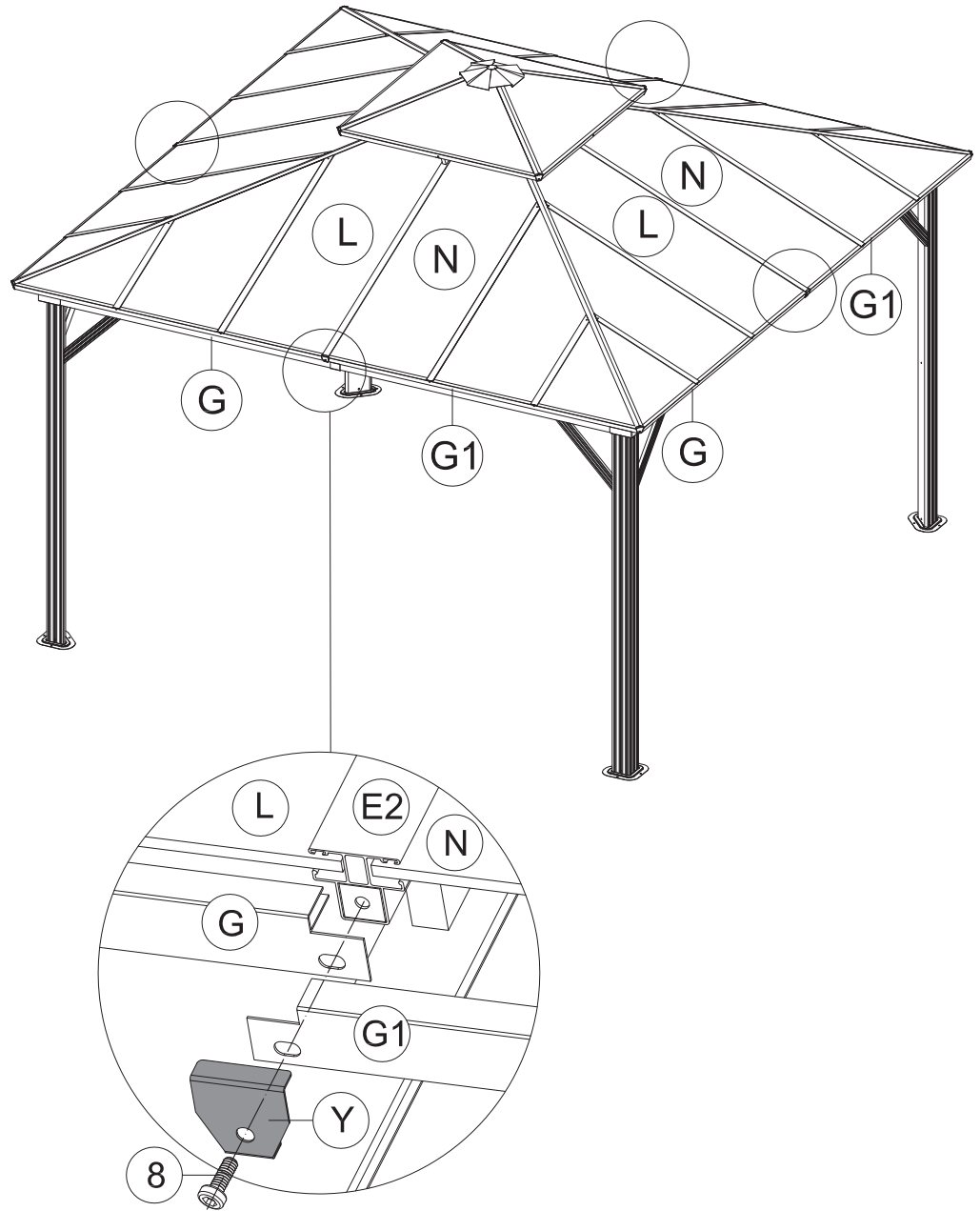


M6x16

8 4x



Y 4x



(1) Place Part #G and Part #G1 on Corner Roof Tube Part #E2; put on Part #Y and secure with Bolt #8.

(2) Repeat the above procedures to assemble the other three sides.

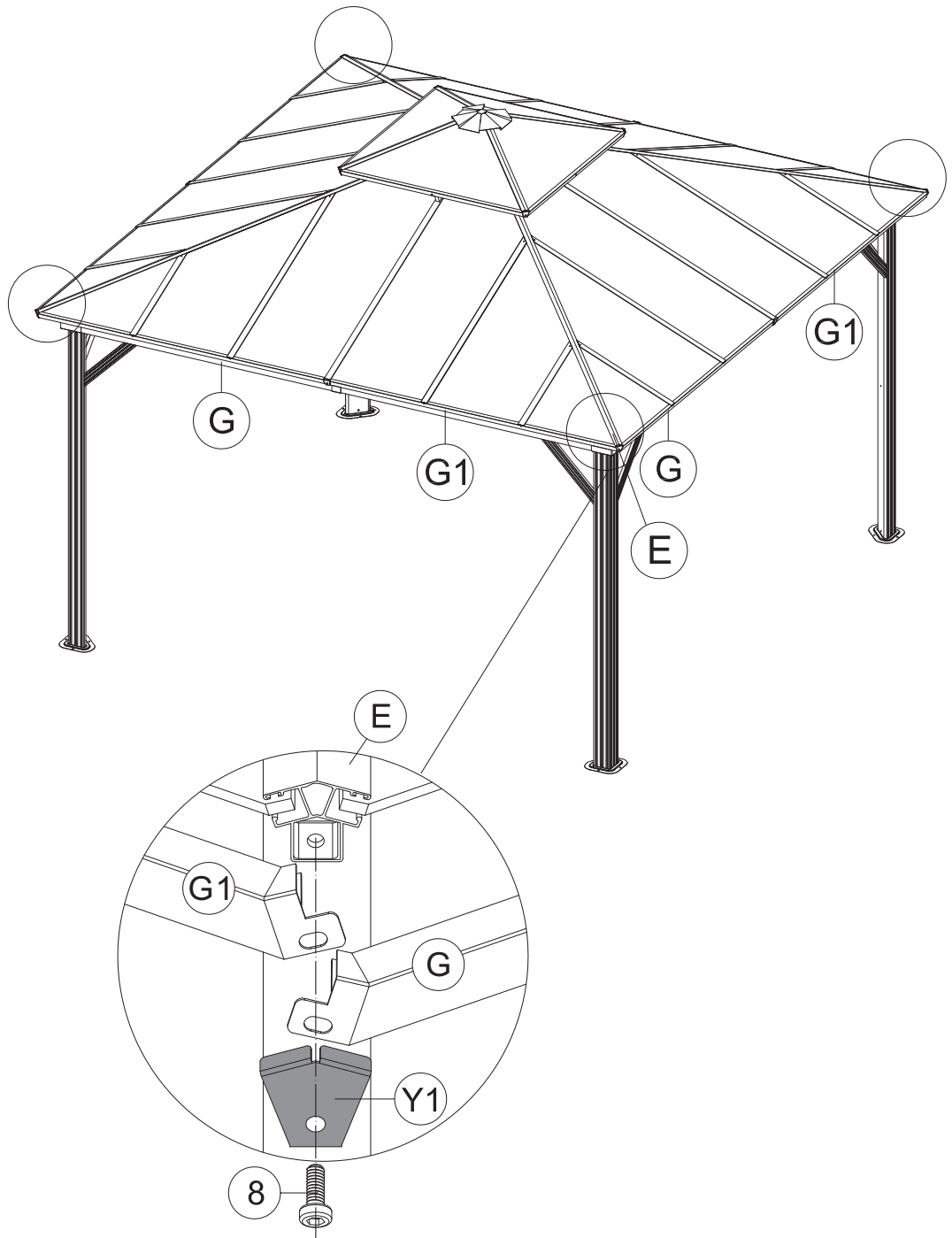


M6x16

8 4x



Y1 4x



(1) Place Part #G and Part #G1 on Part #E;
put on Part #Y1 and secure with Bolt #8

(2) Repeat the above procedures to assemble the other three sides.



V 112x

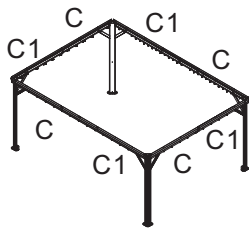


W 4x

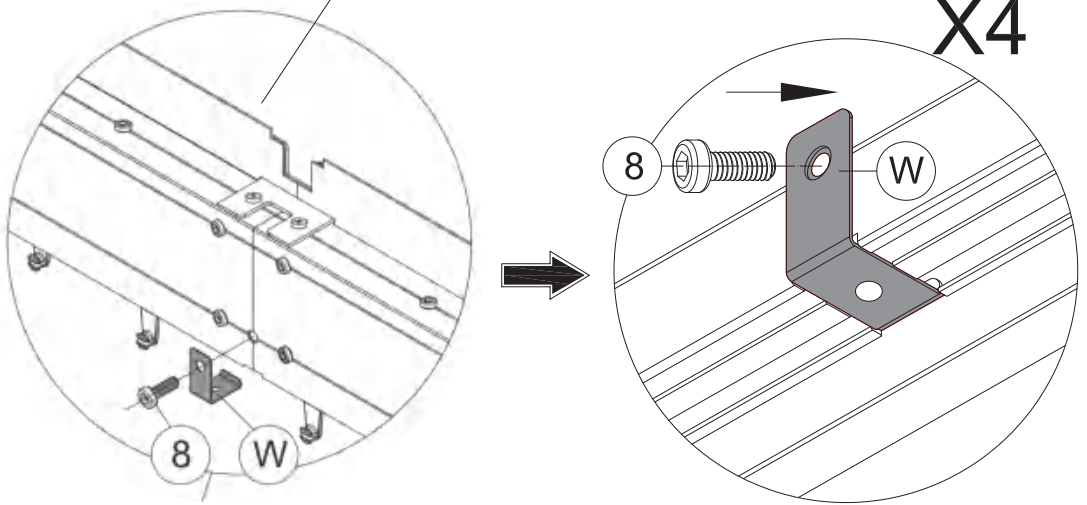
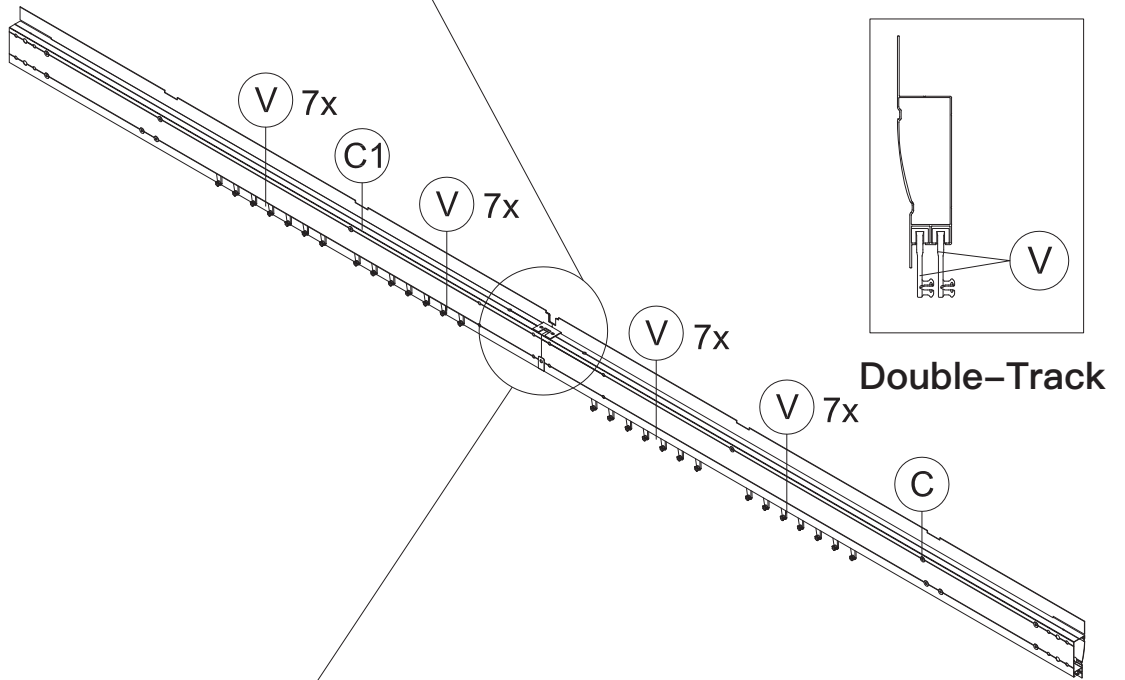
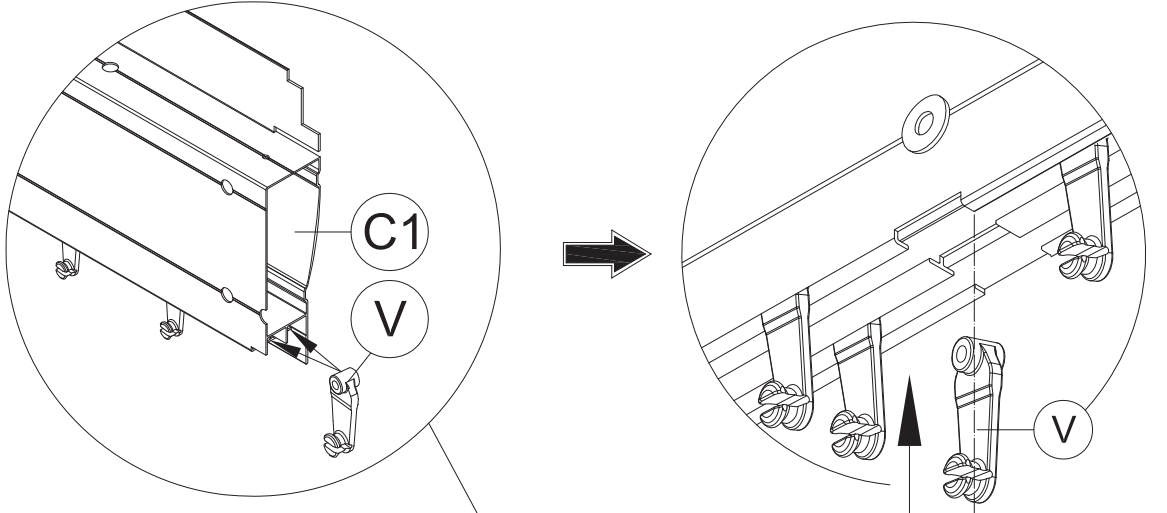


M6x16

8 4X

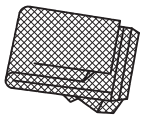


(1) Place 7 hooks on each slot of the Sidewall Track (C&C1).



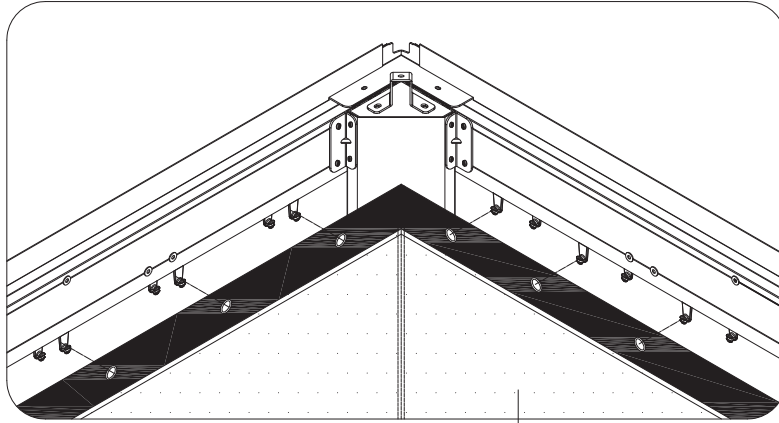
(2) Install Part #W at the joint of Part #C&C1 with Bolt #8.

(3) Repeat the above procedures to assemble the other three sides.

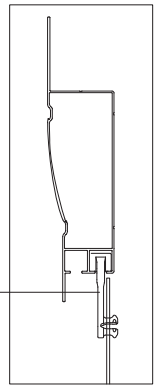


Hang up mosquito sidewalls to inside track.

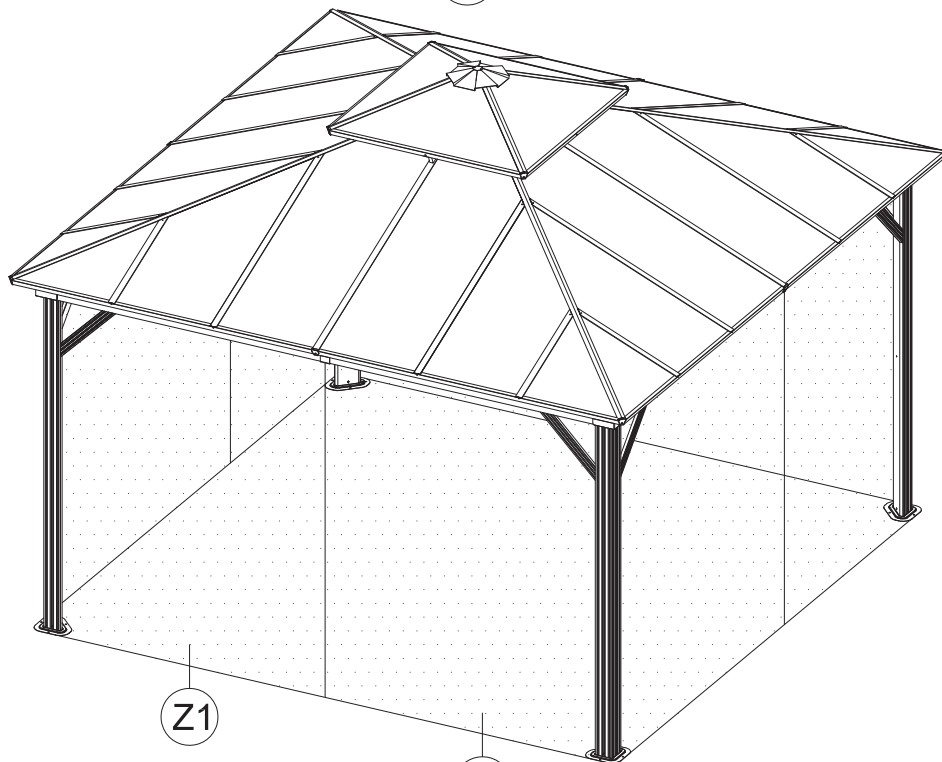
Z1 4x



Z1



Z1

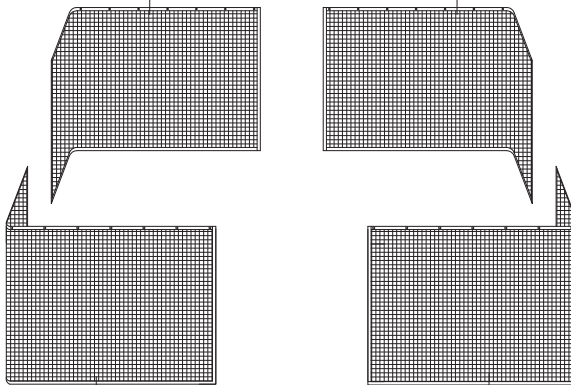


Z1

Z1

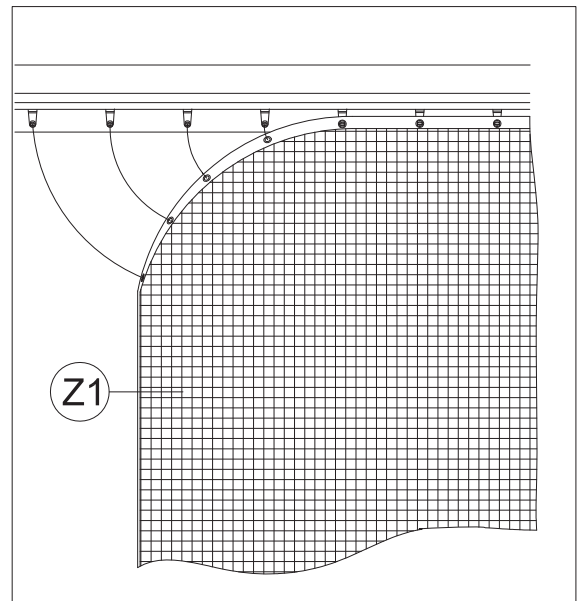
Z1

Z1

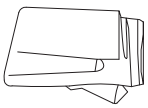


Z1

Z1

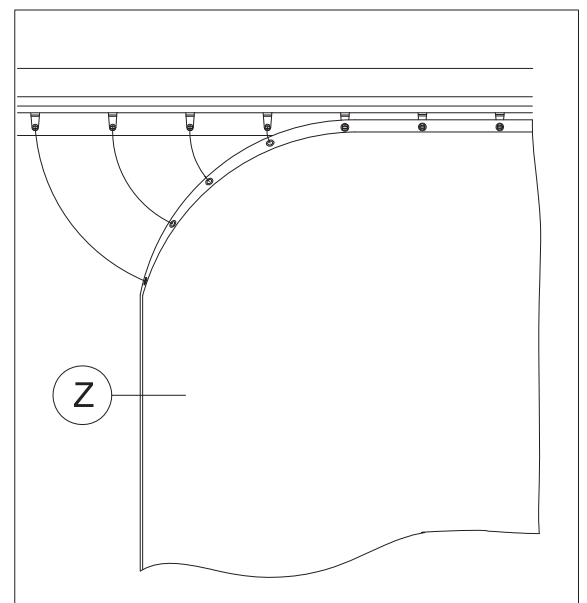
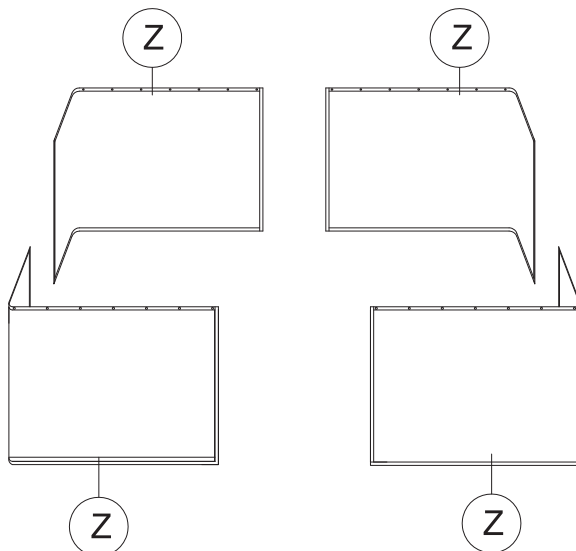
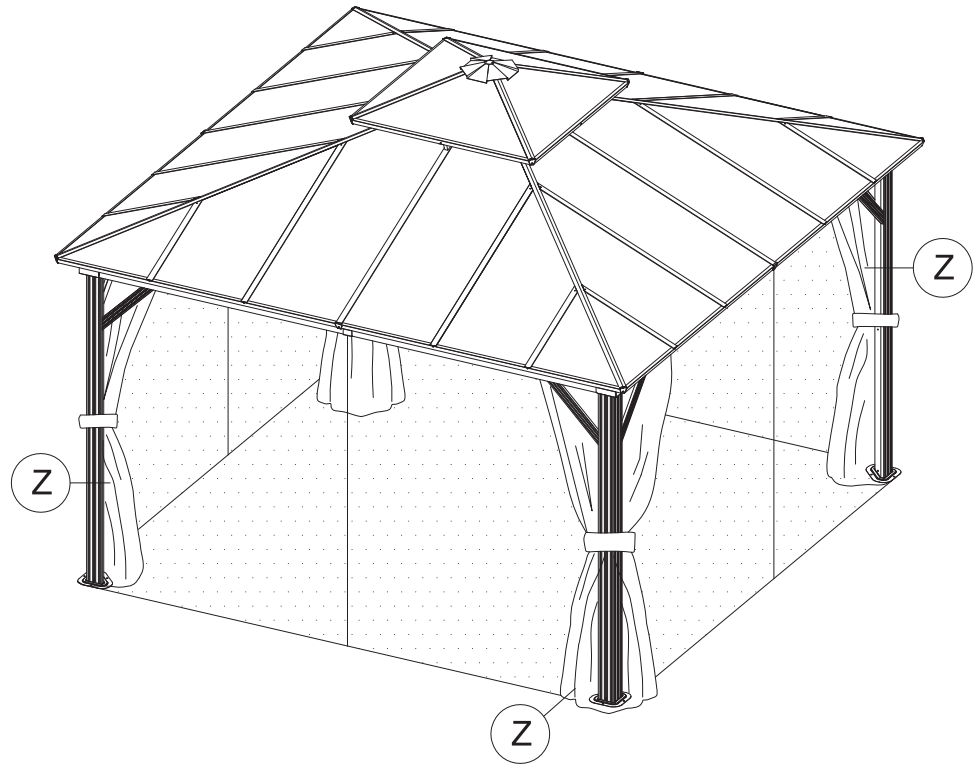
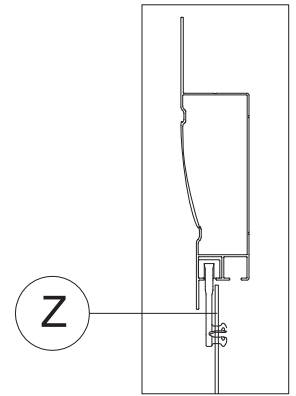
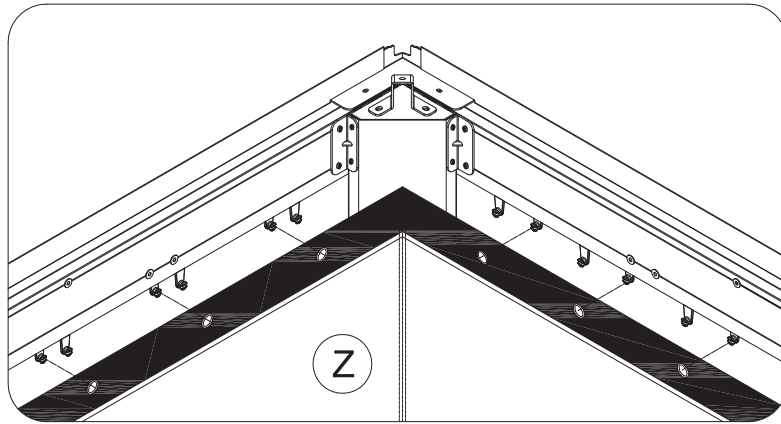


Z1



Hang up solid sidewalls to outside track.

Z 4x





RESORT COMFORT IN YONR
OWN BACKYARD

Thanks for your purchase.


At domi outdoor living, we believe in our products.

That's why we provide a 12-month warranty and

friendly, easy-to-reach after-sales service. So if you

have any questions about our product and assembly-

,please feel free to contact us. We will be here for you.

Support:  

email: service@domioutdoorliving.com

Please tell us your order ID when contact.

Attach photos of damaged part for instant reply.