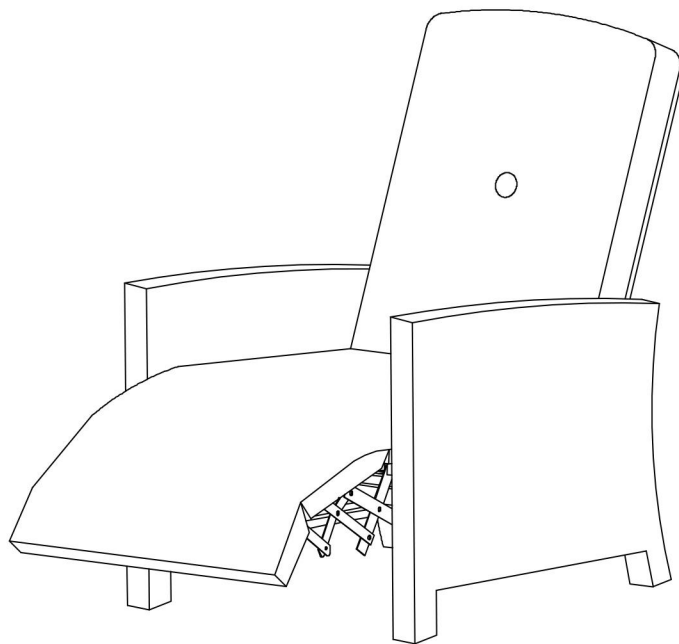
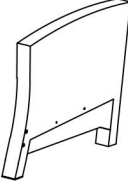
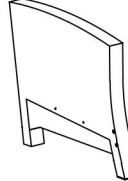
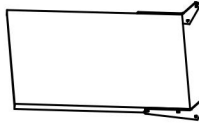





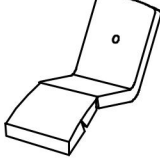





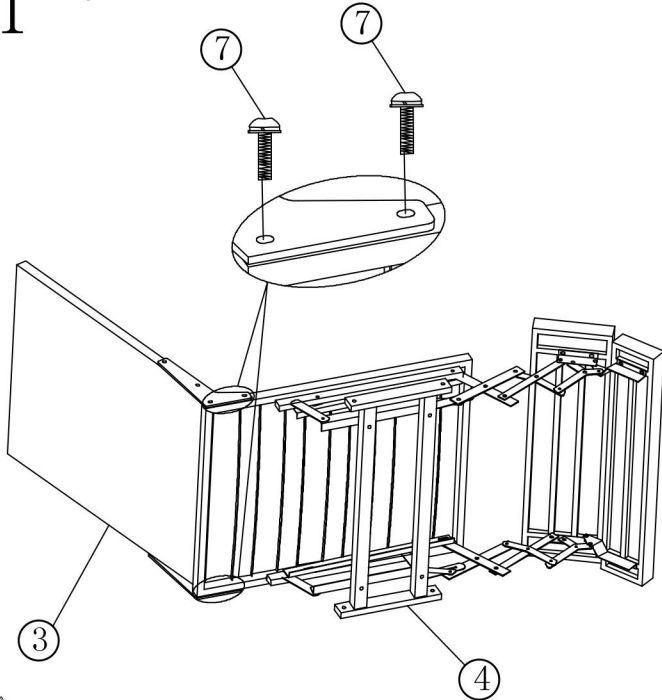
Wicker Chair with Cushion Assembly Manual



- Prior to assembly, please confirm all of the parts listed included.
- All bolts should be tightened before use. Maybe, you need allen wrench for assembly.
- Missing Part? Damaged? Contact us via email at service@domioutdoorliving.com

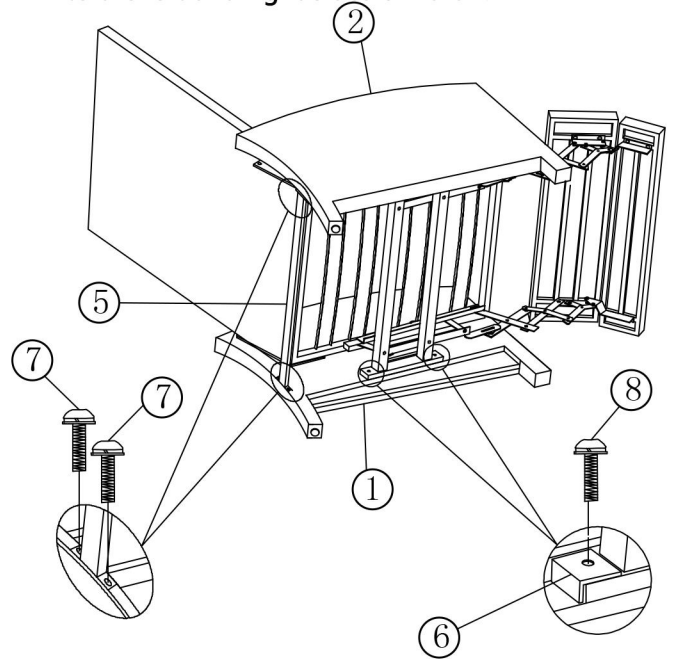
 <p>① 1 X</p>	 <p>② 1 X</p>	 <p>③ 1 X</p>	 <p>④ 1 X</p>	 <p>⑤ 1 X</p>
 <p>⑥ 4 X</p>	 <p>M6X18 ⑦ 8 X</p>	 <p>M6X30 ⑧ 4 X</p>	 <p>⑨ 1 X</p>	 <p>⑩ 1 X</p>

1 Step 1 : Connect Part 3 and 4 with screws #7.



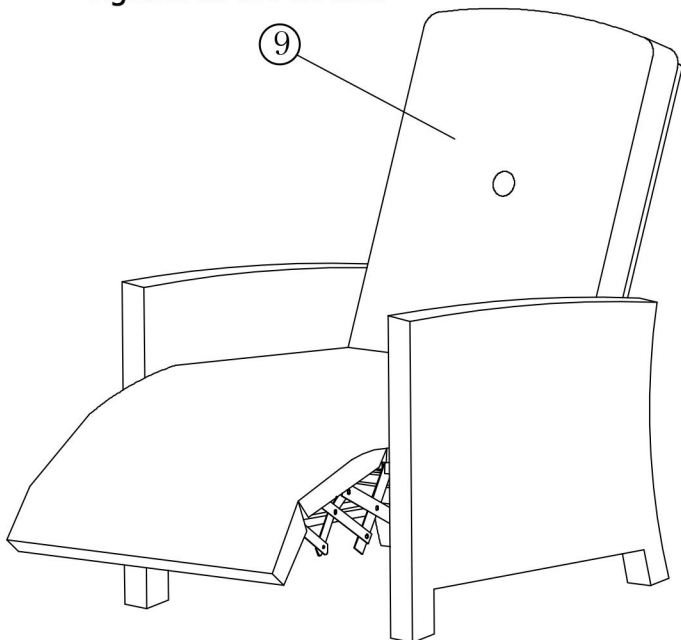
⚠ (Please don't tighten the screws until the last step.)

2 Step2: Fix Part 5 to Part 3 with screws #7. Use screw #8 and gasket #6 to secure Parts 1 and 2 to the left and right sides of Part 4.

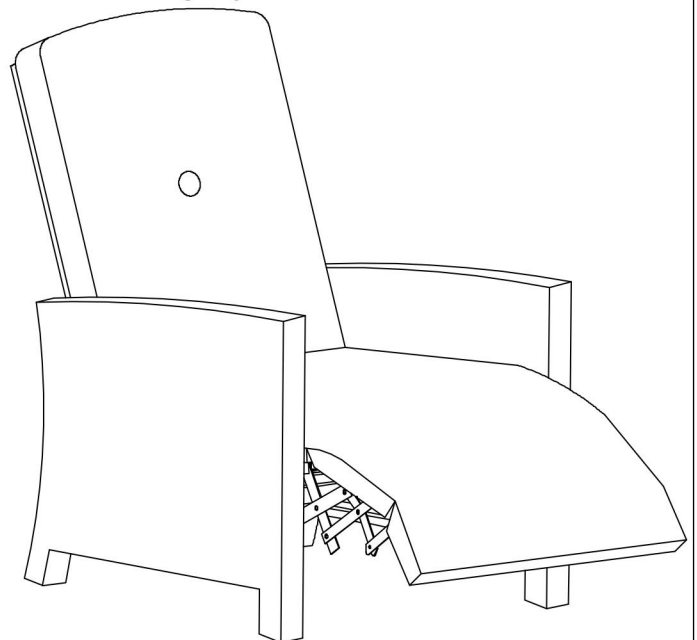


⚠ (Please don't tighten the screws until the last step.)

3 Step3: Install Part 9 on Part 4. Tighten all the screws.



4 Step 4 : Check to make sure all screws are fixed tightly before use.





RESORT COMFORT IN YONR
OWN BACKYARD

Thanks for your purchase.

At domi outdoor living, we believe in our products.

That's why we provide a 12-month warranty and friendly, easy-to-reach after-sales service. So if you have any questions about our product and assembly, please feel free to contact us. We will be here for you.

Support:  

email: service@domioutdoorliving.com

Please tell us your order ID when contact.

Attach photos of damaged part for instant reply.