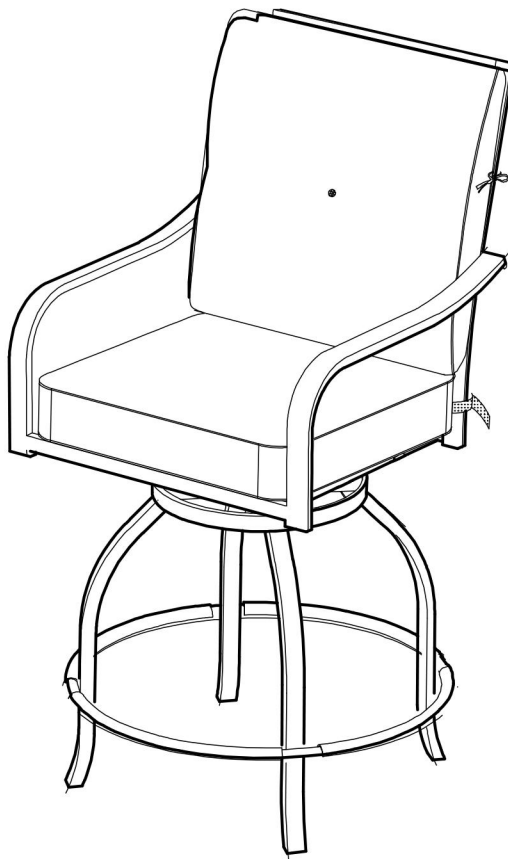
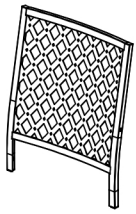




Swivel Chairs with Seat & Back Cushions Assembly Manual



- Prior to assembly, please confirm all of the parts listed included.
- All bolts should be tightened before use. Maybe, you need allen wrench for assembly.
- Missing Part? Damaged? Contact us via email at service@domioutdoorliving.com



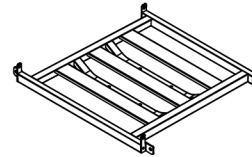
A		1PC
---	--	-----



B		1PC
---	--	-----



C		1PC
---	--	-----



D		1PC
---	--	-----



E		1PC
---	--	-----



F		4PCS
---	--	------



G		1PC
---	--	-----



H	M6*16	6PCS
---	-------	------



I	M6*24	2PCS
---	-------	------



J	M6*30	12PCS
---	-------	-------



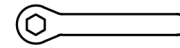
K	M6*38	4PCS
---	-------	------



M		36PCS
---	--	-------



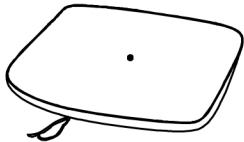
N		12PCS
---	--	-------



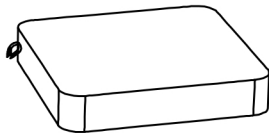
O		1PC
---	--	-----



P		1PC
---	--	-----



Q		1PC
---	--	-----



R		1PC
---	--	-----

--	--	--

--	--	--

--	--	--

⚠ Above is a list of all the accessories and tools to use.

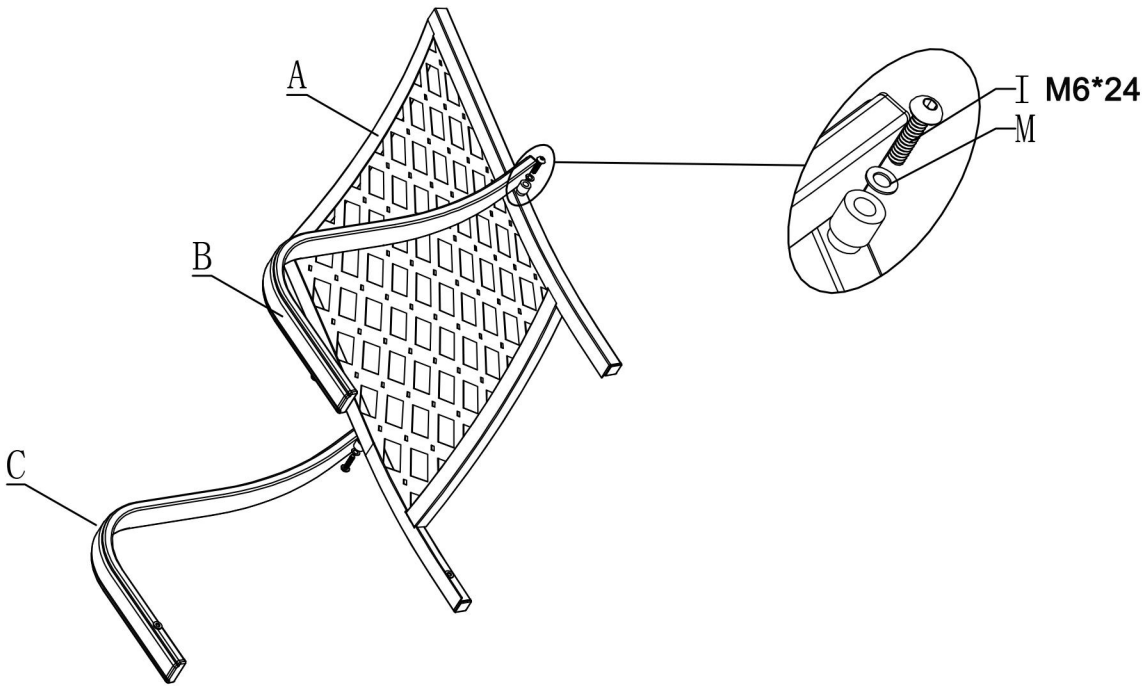
Please check it before assembling, if there is any missing or damaged, do feel free to contact us.

(Please don't tighten the screws until the last step.)

StepA: Put on Part I,M just as shown in the diagram.

Connect armrest (Part B) & (Part C) to backrest (Part A) using screws I and M.

⚠ (Please don't tighten the screws until the last step.)

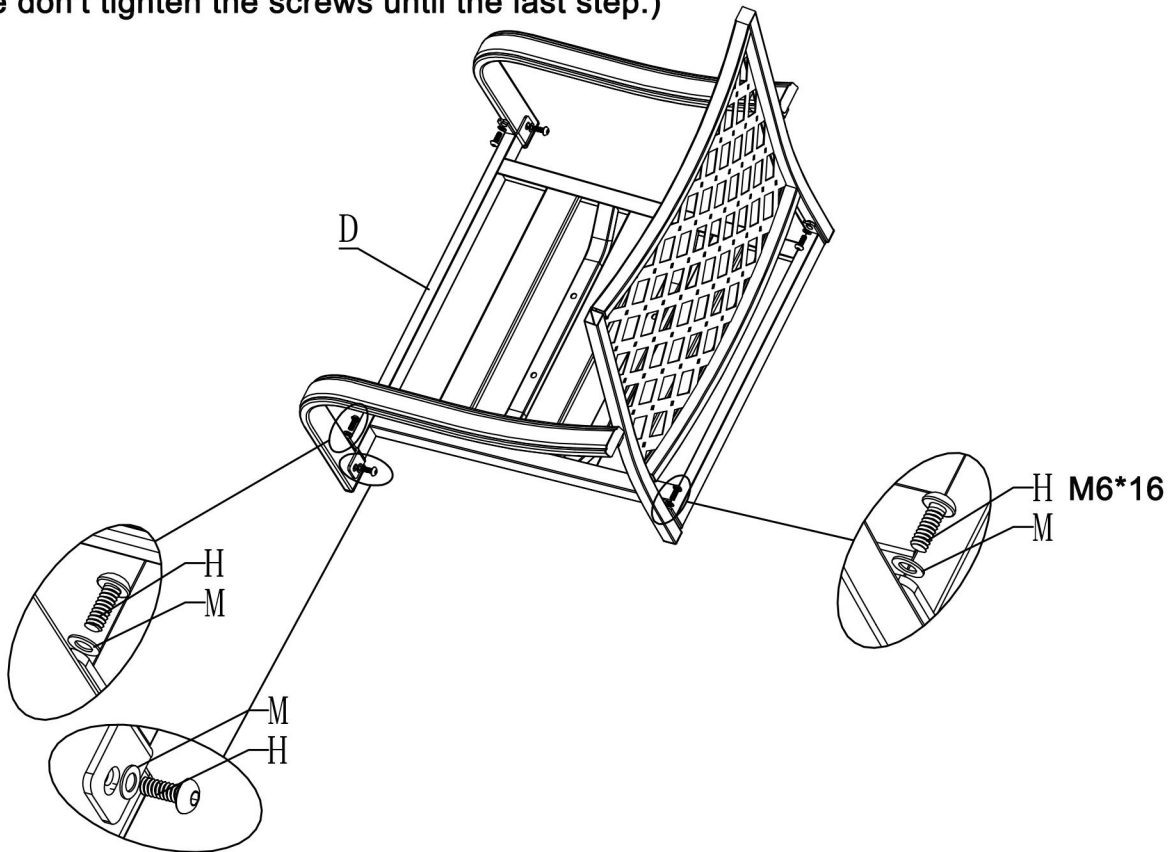


A

StepB: Put on Part H,M just as shown in the diagram.

Connect seat (Part D) using screws H(6 pcs) and M(6 pcs).

⚠ (Please don't tighten the screws until the last step.)



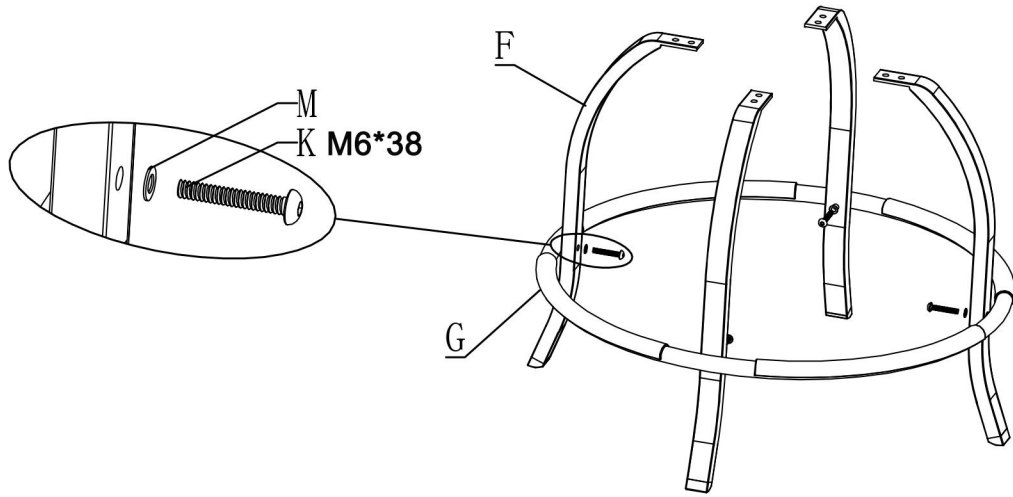
2

B

StepC: Put on Part M,K just as shown in the diagram.

Connect Part F(4 pcs) to Part G(1 pc) using screws M(4 pcs) and K(4 pcs).

! (Please don't tighten the screws until the last step.)

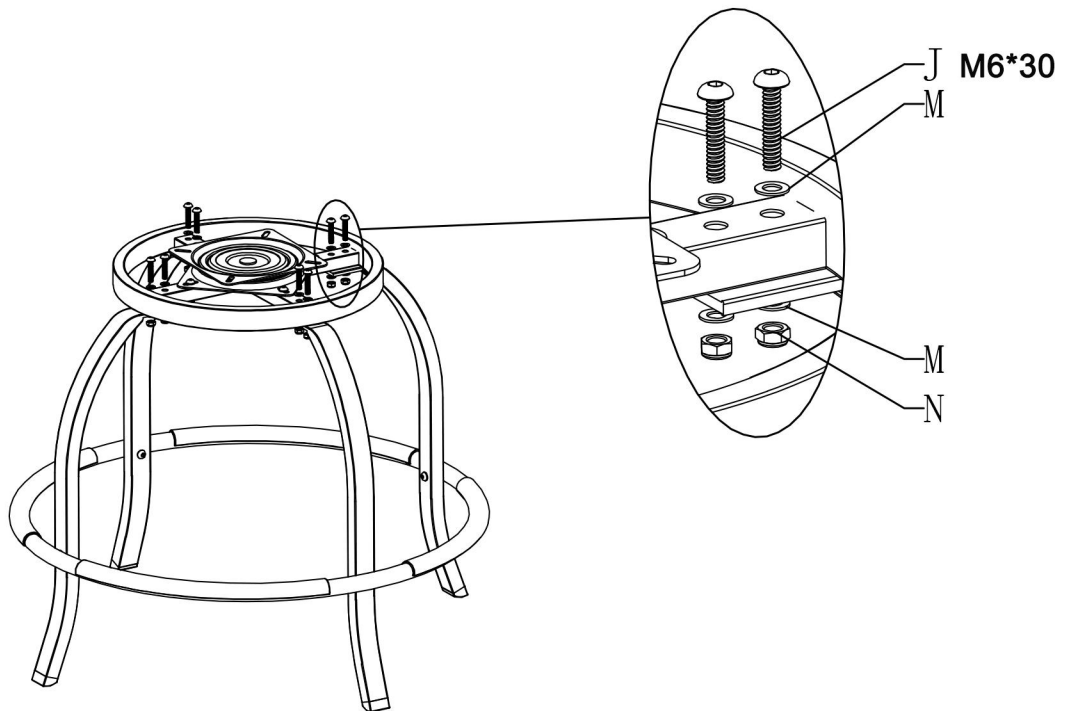


C

StepD: Put on Part J,M,M,N just as shown in the diagram.

Connect Part E using screws J(8 pcs),M(16 pcs) & N(8 pcs).

Then tighten all the screws.



3

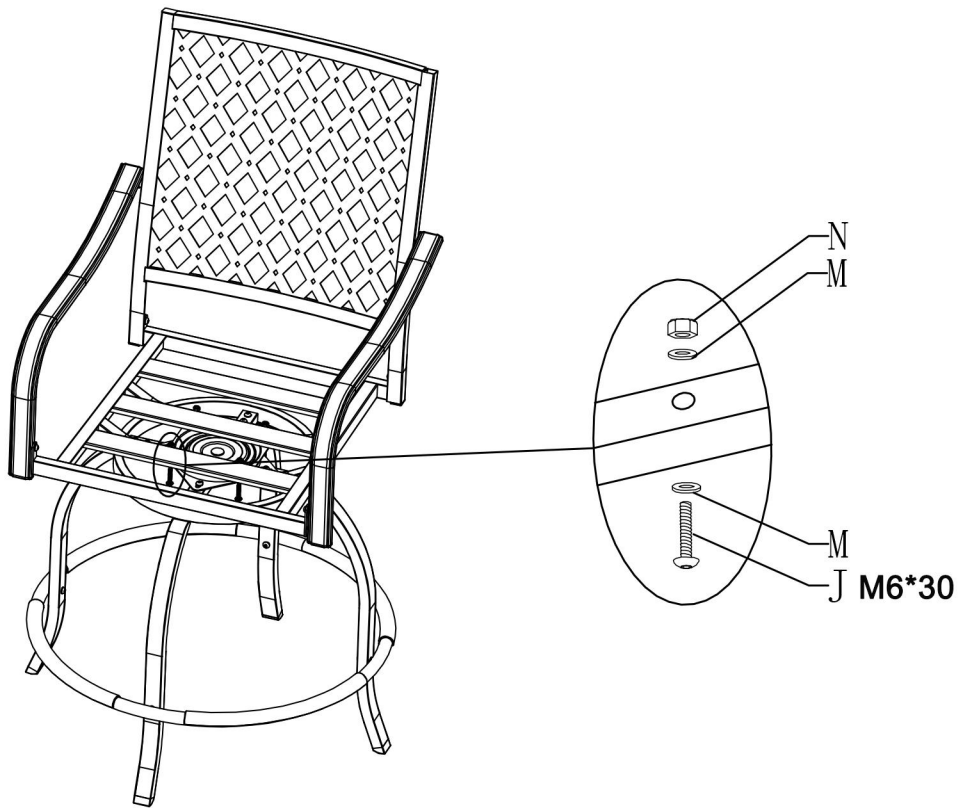
D

StepE: Put on Part H,M,M,J just as shown in the diagram.

Connect Part D and Part E using screws N(4 pcs),M(8 pcs) & J(4 pcs).

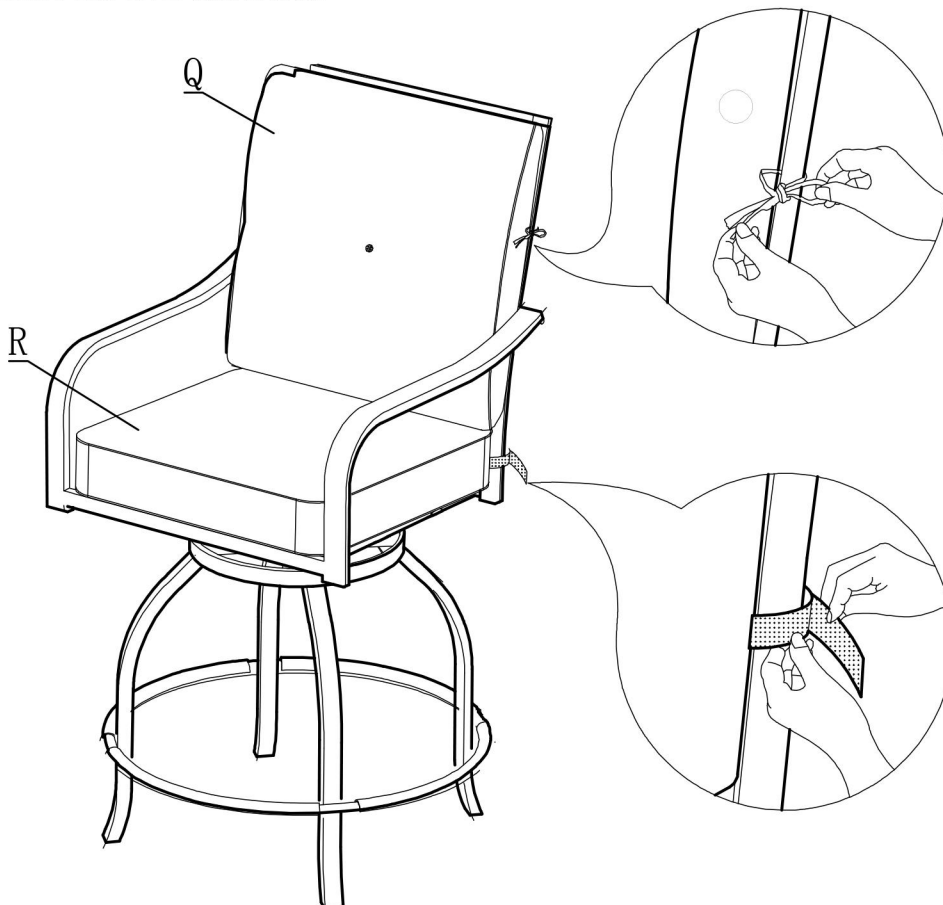
⚠ (Please use the screws from bottom to top.)

⚠ (Please don't tighten the screws until the last step.)



E

**StepE: Fasten seat cushions (Part R) and back cushions (Part Q).
Tighten all the screws.**



⚠ (Please check to make sure all screws are fixed tightly before use.)

4

F



RESORT COMFORT IN YONR
OWN BACKYARD

Thanks for your purchase.

At domi outdoor living, we believe in our products.

That's why we provide a 12-month warranty and

friendly, easy-to-reach after-sales service. So if you

have any questions about our product and assembly-

, please feel free to contact us. We will be here for you.

Support:  

email: service@domioutdoorliving.com

Please tell us your order ID when contact.

Attach photos of damaged part for instant reply.