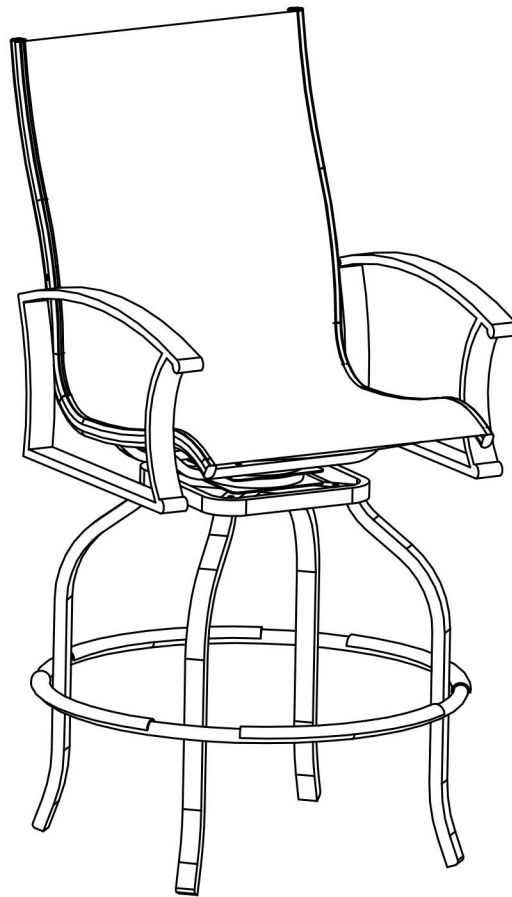
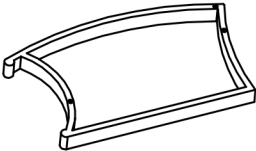
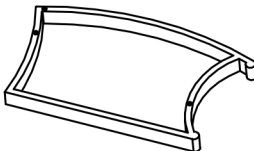
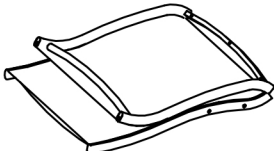
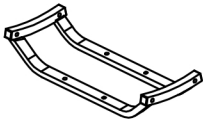

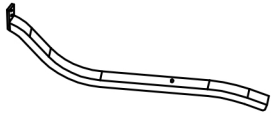
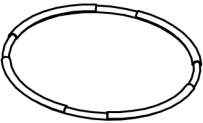







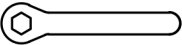




Textilene Fabric Pub Swivel Chairs Assembly Manual



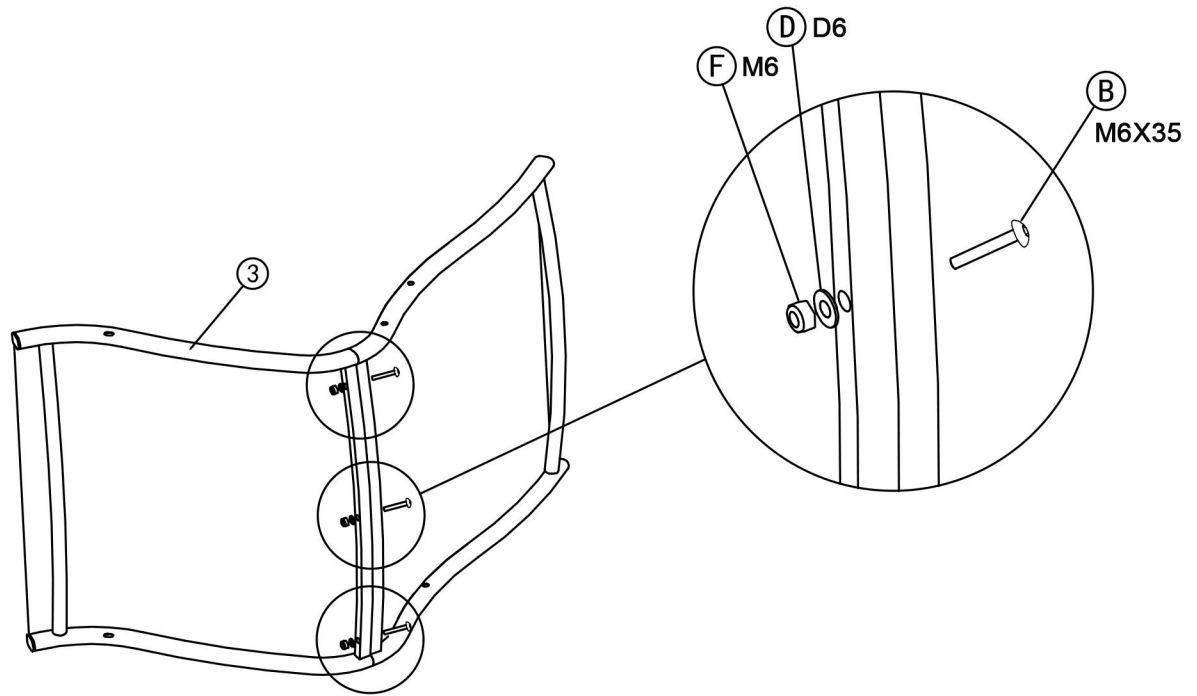
- Prior to assembly, please confirm all of the parts listed included.
- All bolts should be tightened before use. Maybe, you need allen wrench for assembly.
- Missing Part? Damaged? Contact us via email at service@domioutdoorliving.com

 <p>① 1X</p>	 <p>② 1X</p>	 <p>③ 1X</p>
 <p>④ 1X</p>	 <p>⑤ 1X</p>	 <p>⑥ 4X</p>
 <p>⑦ 1X</p>	 <p>M6X30 Ⓐ 12X</p>	 <p>M6X35 Ⓑ 13X</p>
 <p>M6X38 Ⓒ 4X</p>	 <p>D6 Ⓓ 41X</p>	 <p>D6 Ⓔ 4X</p>
 <p>M6 Ⓕ 15X</p>	 <p>S4 Ⓖ 1X</p>	 <p>M6 Ⓗ 1X</p>

⚠ Above is a list of all the accessories and tools to use. Please check it before assembling, if there is any missing or damaged, do feel free to contact us.
(Please don't tighten the screws until the last step.)

Step1 Fix the three positions of Part 3 as shown in the diagram with Part B,D,F.

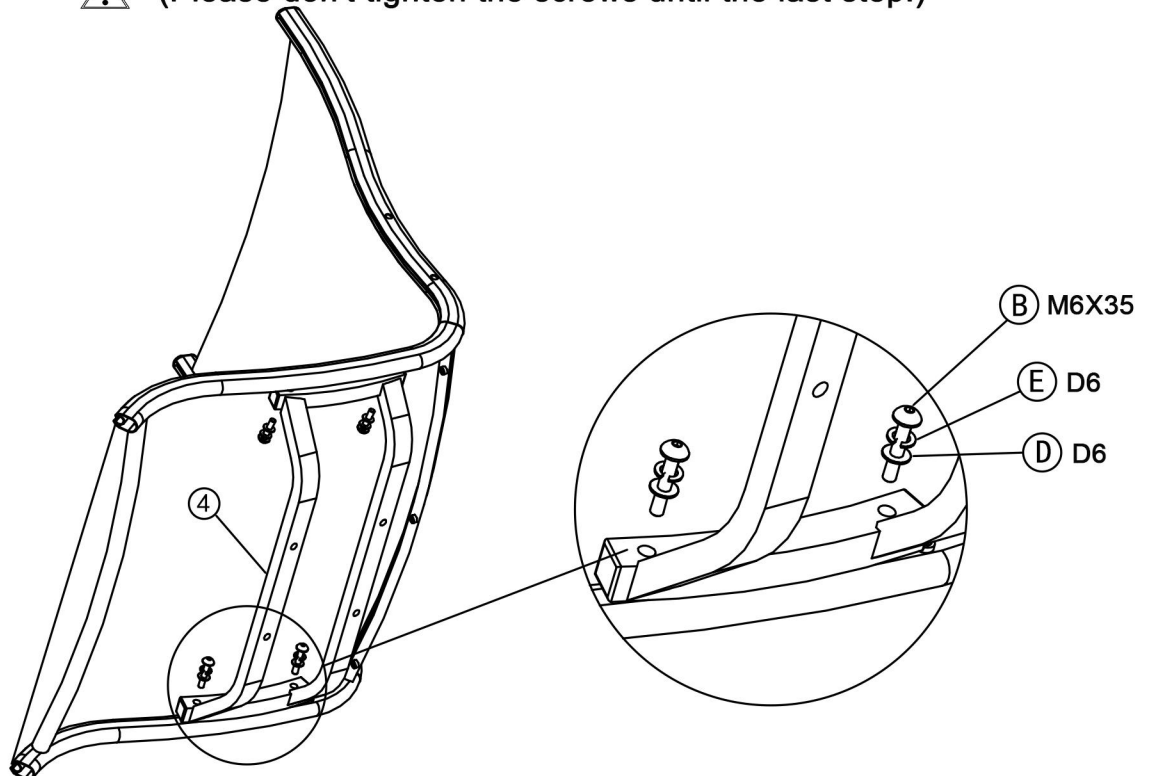
⚠ (Please don't tighten the screws until the last step.)



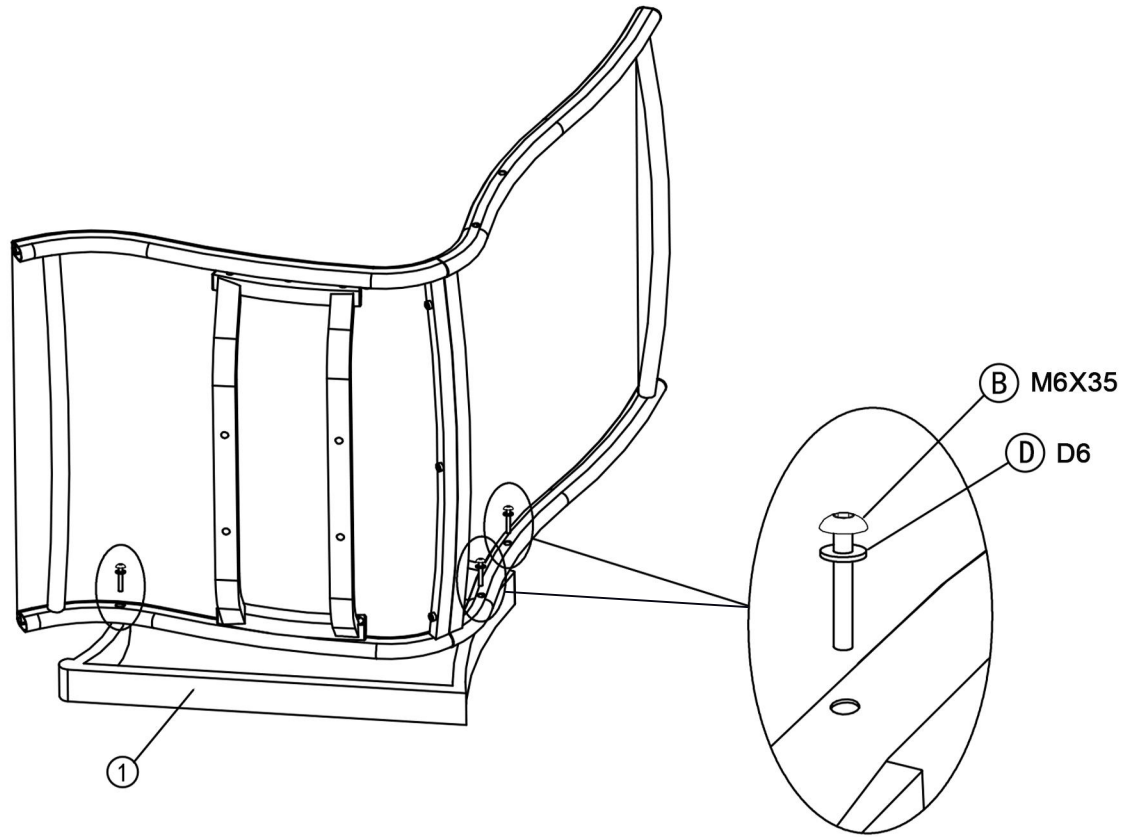
Put on Part B,D,E just as shown in the diagram.

Step2 Assemble Part 4 to Part 3.

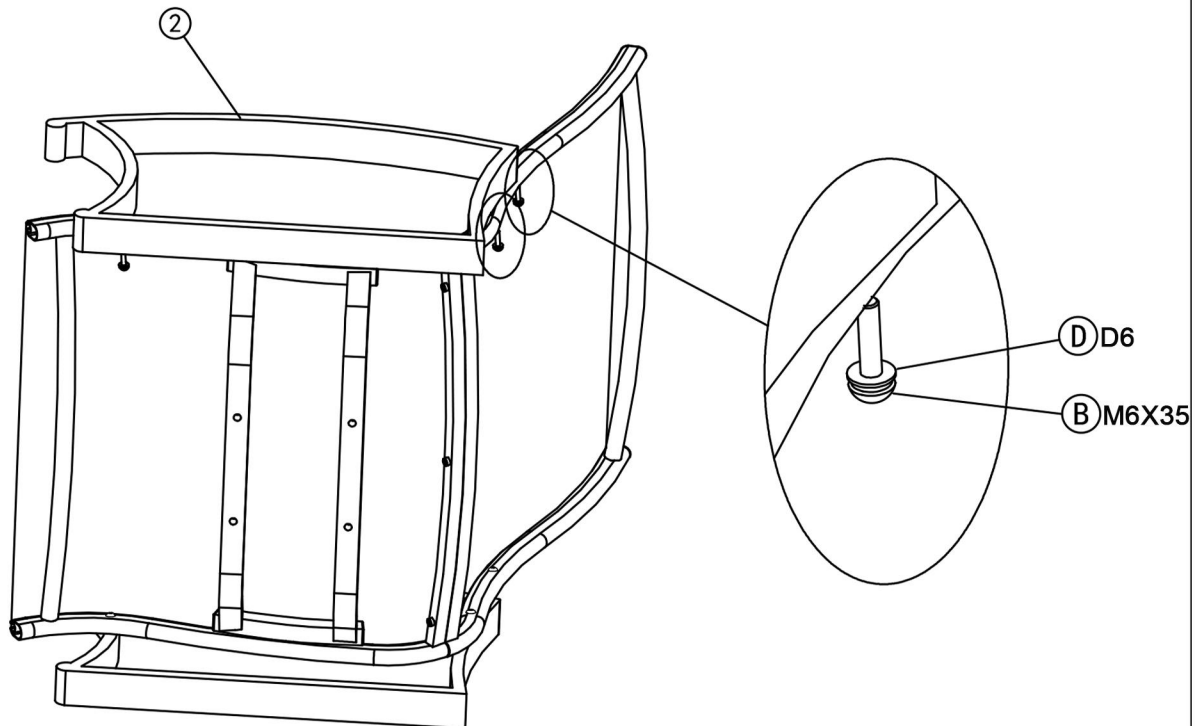
⚠ (Please don't tighten the screws until the last step.)



Step3 Put on Part B,D just as shown in the diagram.
Assemble Part 1 to the right side of Part 3.
⚠ (Please don't tighten the screws until the last step.)



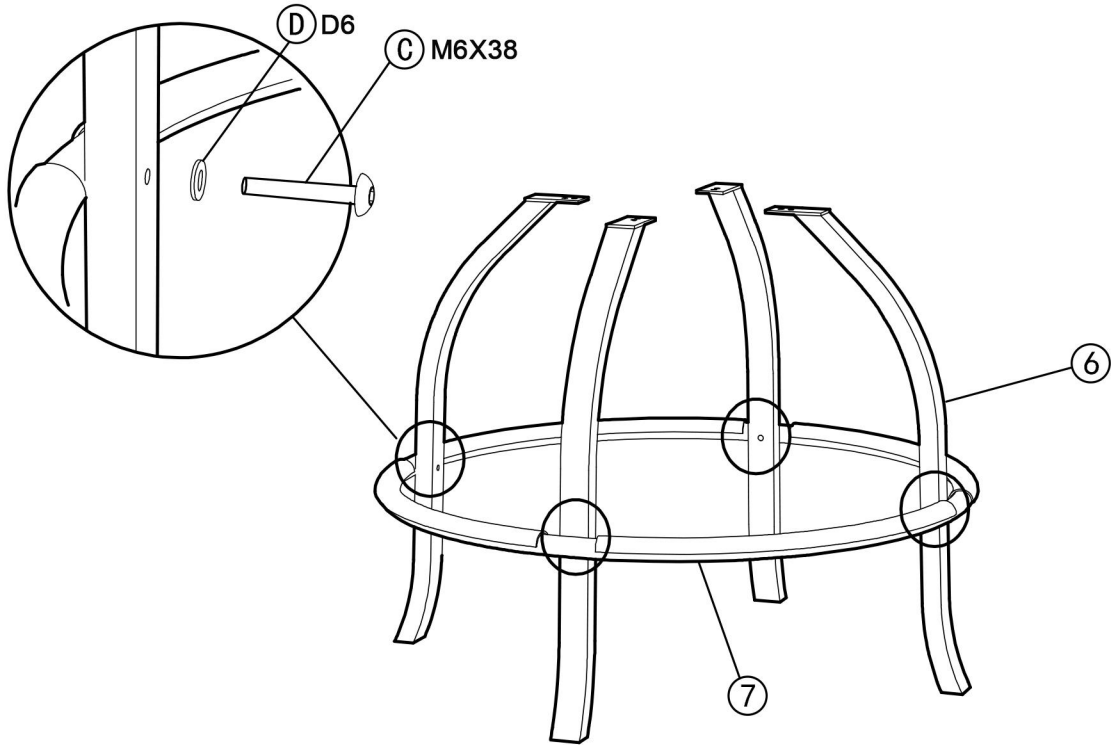
Step4 Put on Part B,D just as shown in the diagram.
Assemble Part 2 to the left side of Part 3.
⚠ (Please don't tighten the screws until the last step.)



Step5

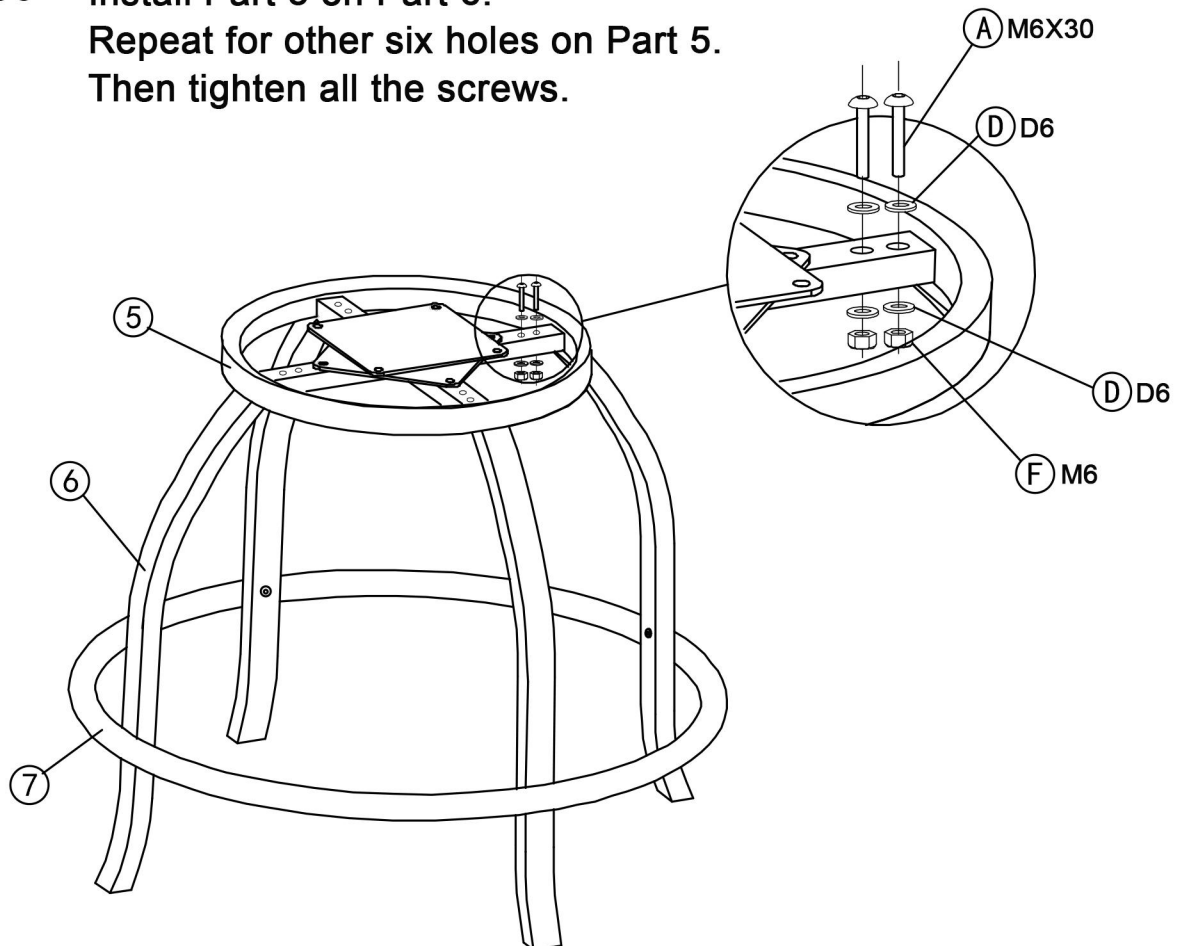
Put on Part C,D just as shown in the diagram.
Install the four Parts 6 separately on Part 7 as shown.

⚠ (Please don't tighten the screws until the last step.)



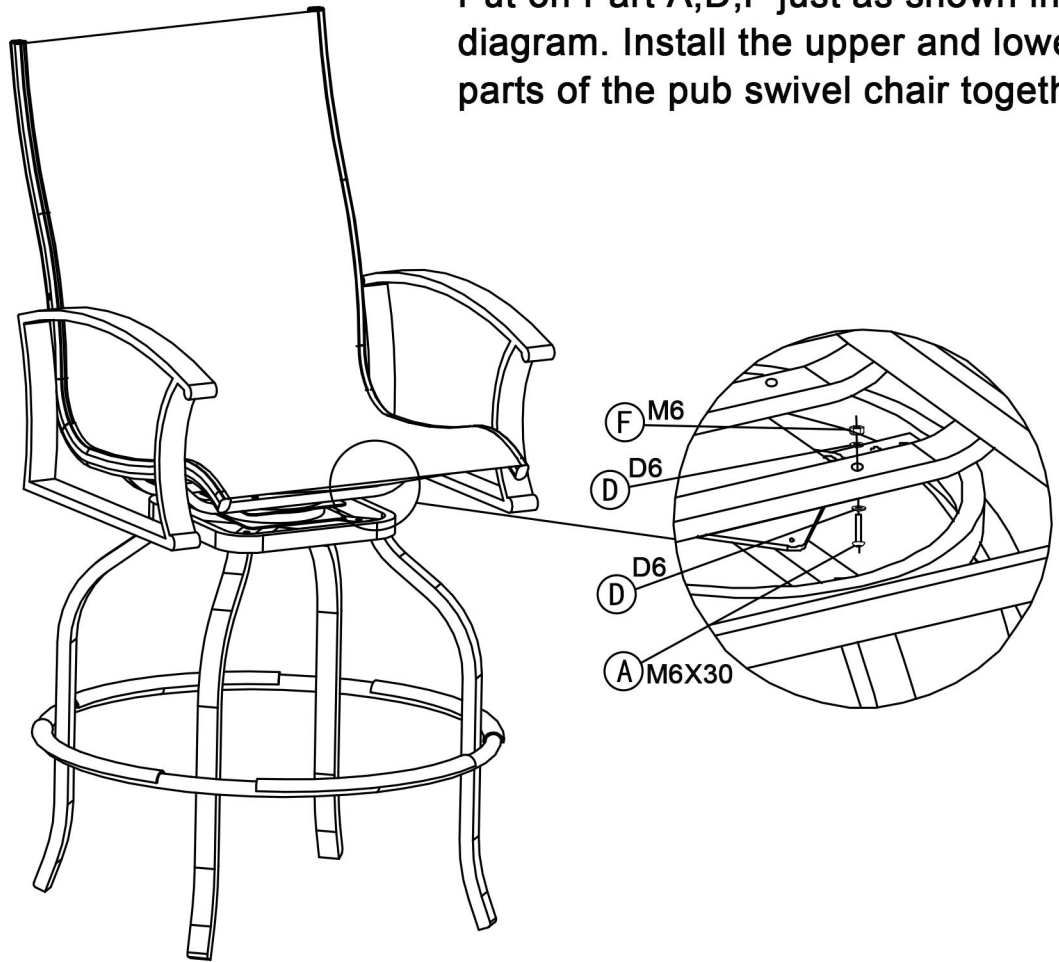
Step6

Put on Part A,D,F just as shown in the diagram.
Install Part 5 on Part 6.
Repeat for other six holes on Part 5.
Then tighten all the screws.



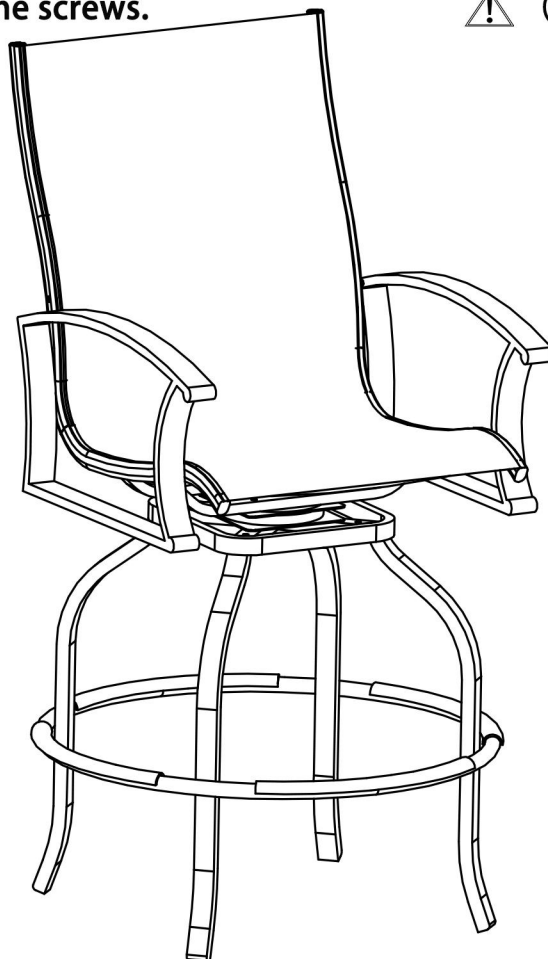
Step7

Put on Part A,D,F just as shown in the diagram. Install the upper and lower parts of the pub swivel chair together.



Step8 Tighten all the screws.

⚠ (Please check to make sure all screws are fixed tightly before use.)





RESORT COMFORT IN YONR
OWN BACKYARD

Thanks for your purchase.

At domi outdoor living, we believe in our products.

That's why we provide a 12-month warranty and

friendly, easy-to-reach after-sales service. So if you

have any questions about our product and assembly-

, please feel free to contact us. We will be here for you.

Support:  

email: service@domioutdoorliving.com

Please tell us your order ID when contact.

Attach photos of damaged part for instant reply.