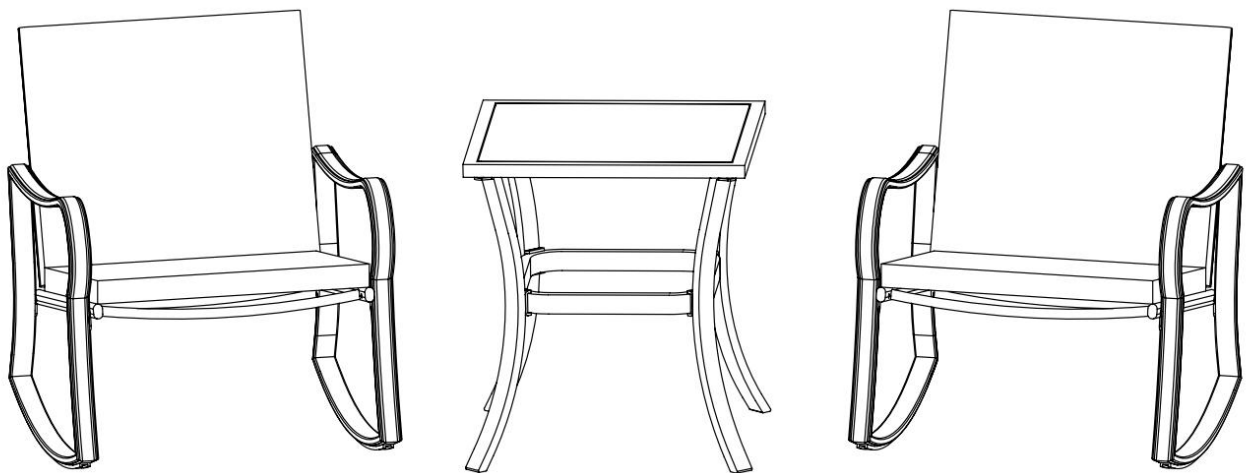


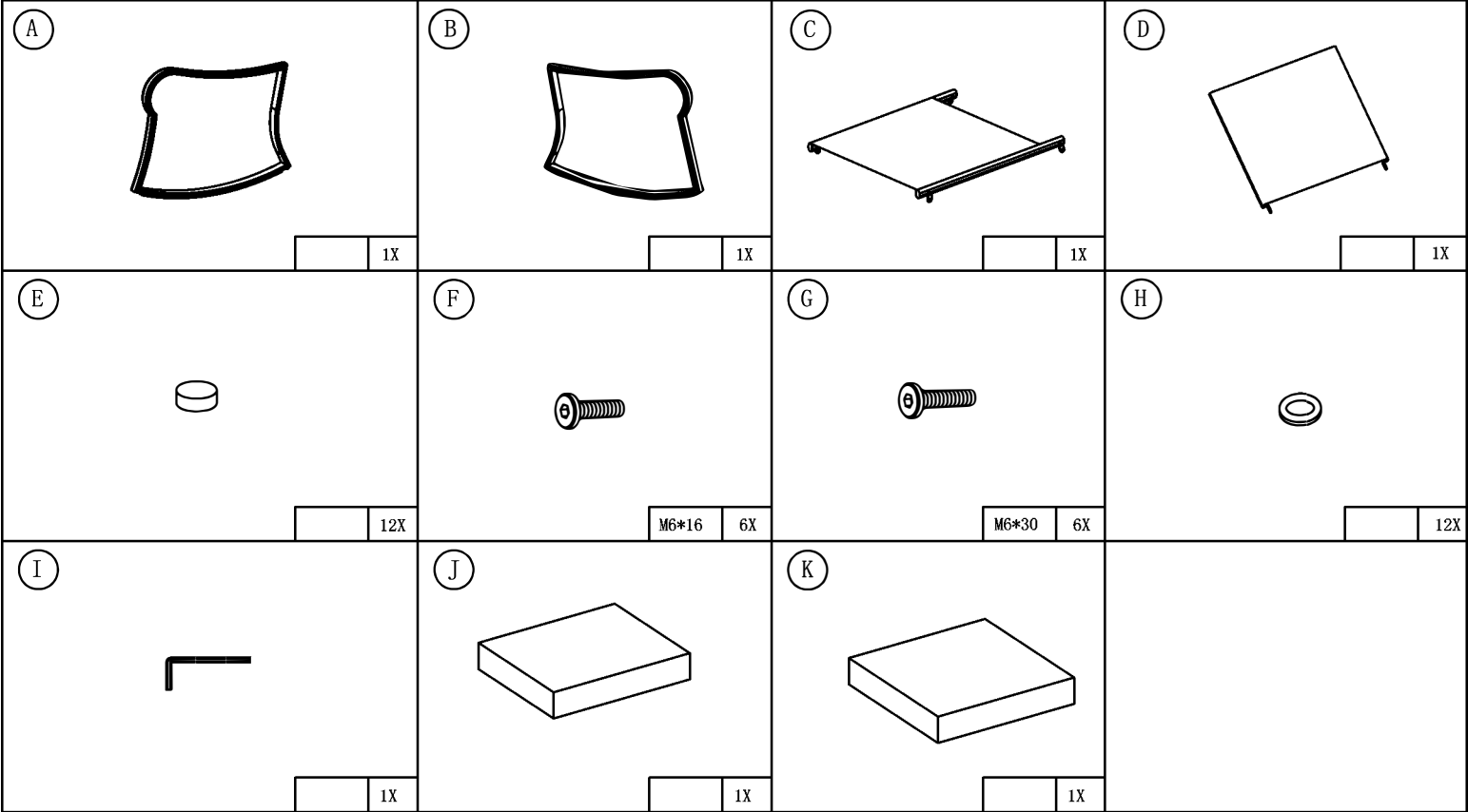


3 Pieces Wicker Rocking Chair Set

Assembly Instructions

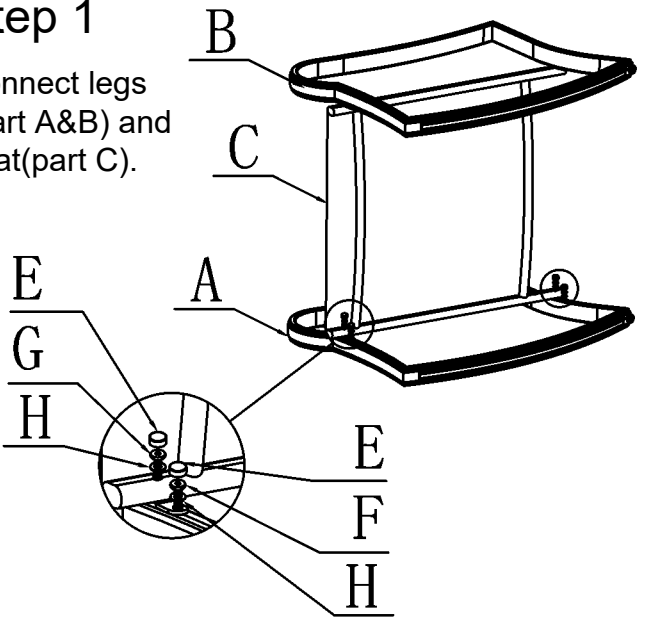


- Prior to assembly, make sure to lay out and identify all of the parts listed below in the parts list.
- Please do not completely tighten the screws during assembly. Recommend to use allen wrench for assembly.
- Should you experience any difficulty during assembly, or if any of the parts are missing or damaged, please feel free to contact us.



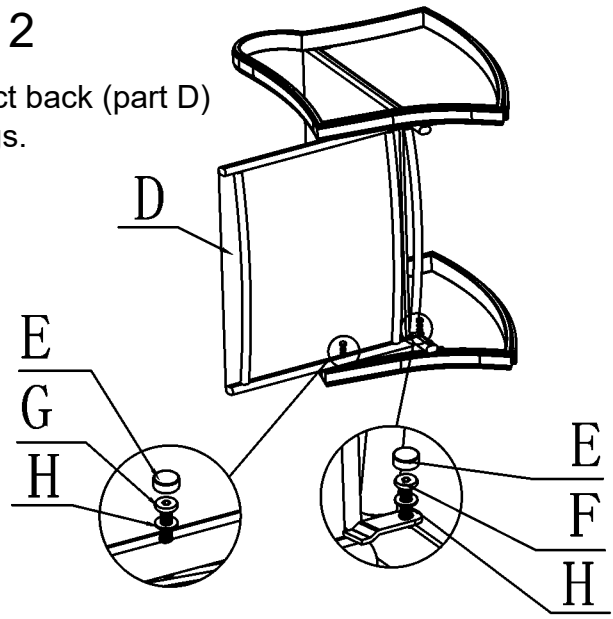
Step 1

Connect legs (part A&B) and seat (part C).



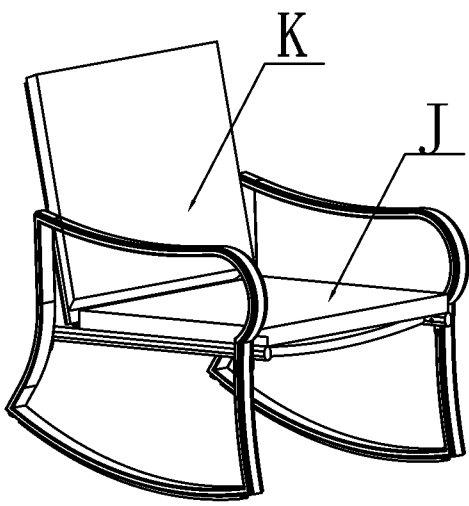
Step 2

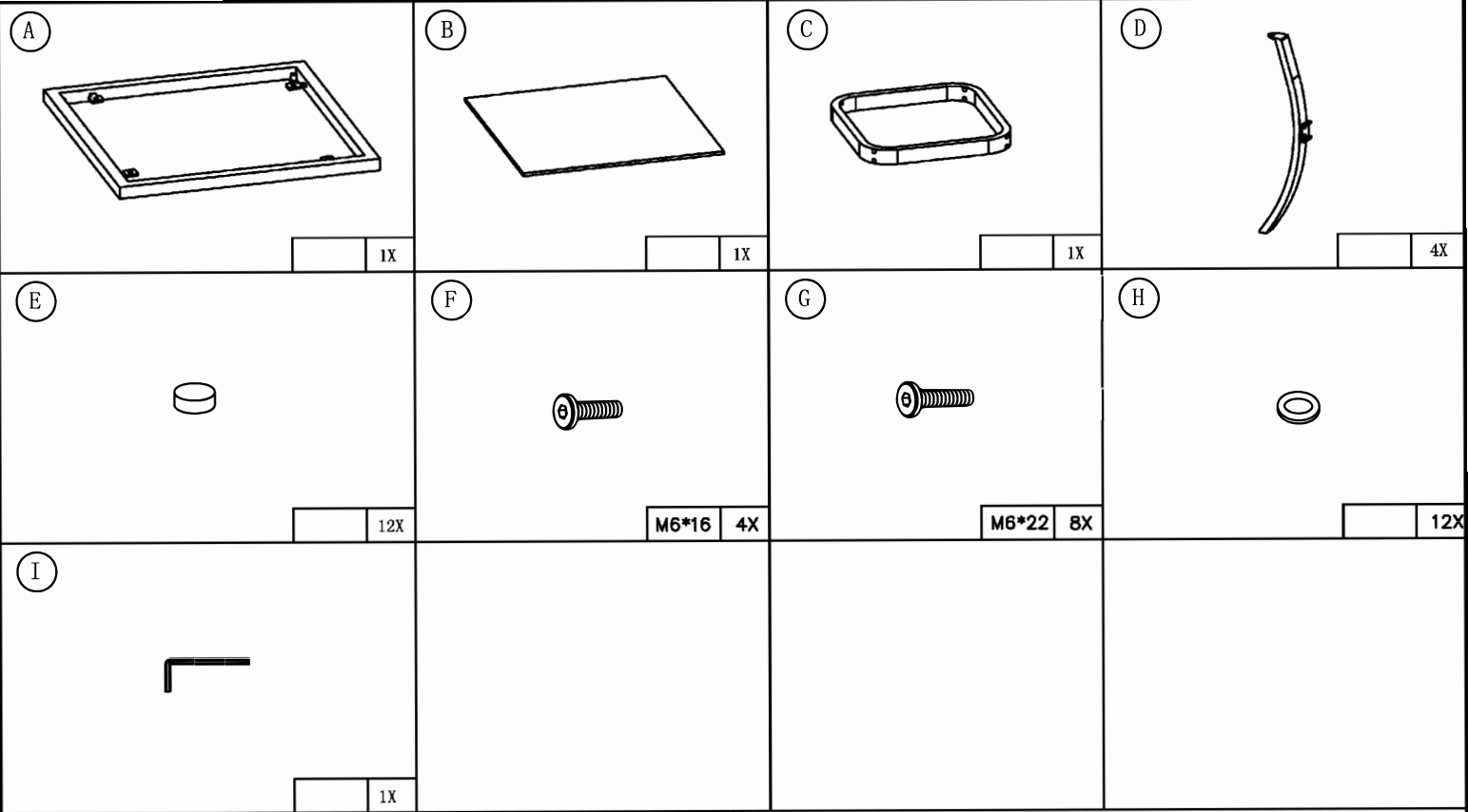
Connect back (part D) and legs.



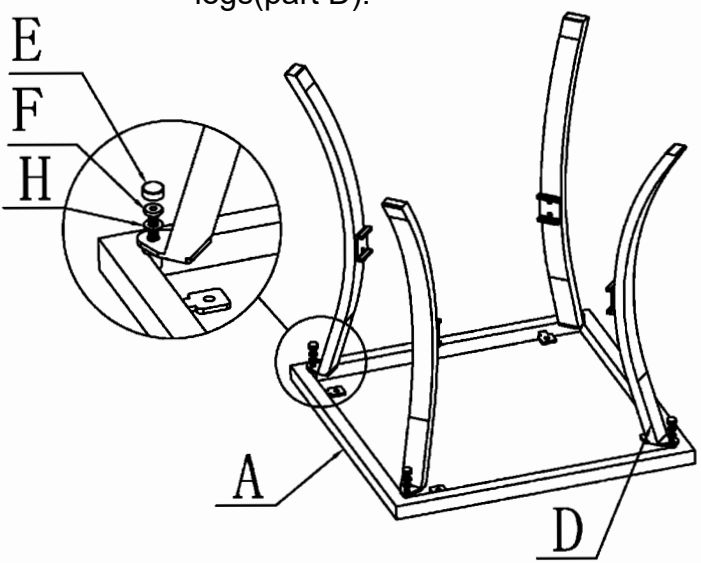
Step 3

Put the back cushion (part K) and seat cushion (part J).



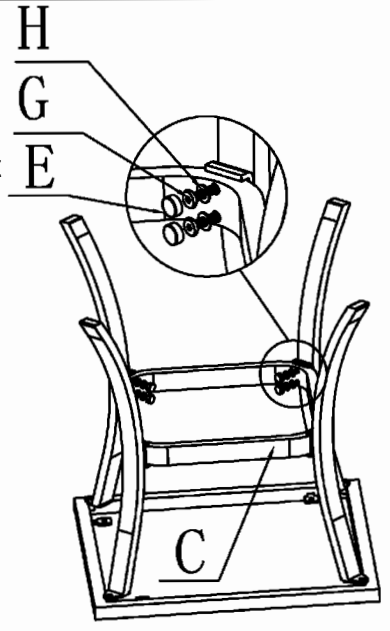


Step 1 Connect table top(part A) and legs(part D).



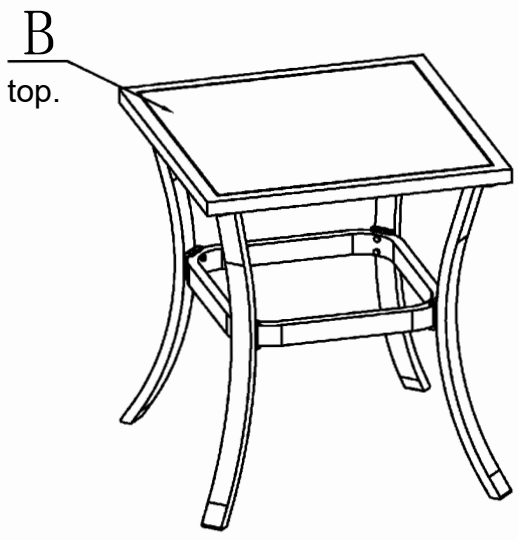
Step 2

Connect legs using the support bar(part C).



Step 3

Put glass(part B) on the table top.





RESORT COMFORT IN YONR
OWN BACKYARD

Thanks for your purchase.

At domi outdoor living, we believe in our products.

That's why we provide a 12-month warranty and

friendly, easy-to-reach after-sales service. So if you

have any questions about our product and assembly-

,please feel free to contact us. We will be here for you.

Support:  

email: service@domioutdoorliving.com

Please tell us your order ID when contact.

Attach photos of damaged part for instant reply.