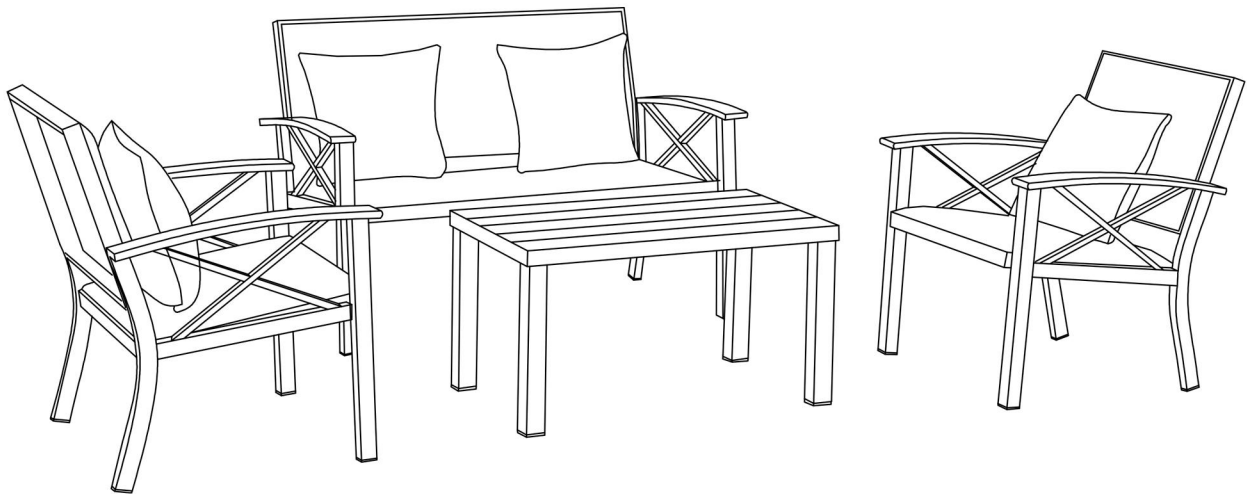






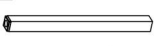
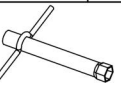



## **Set of 4 Patio Furniture Set Loveseat&Table Assembly Manual**

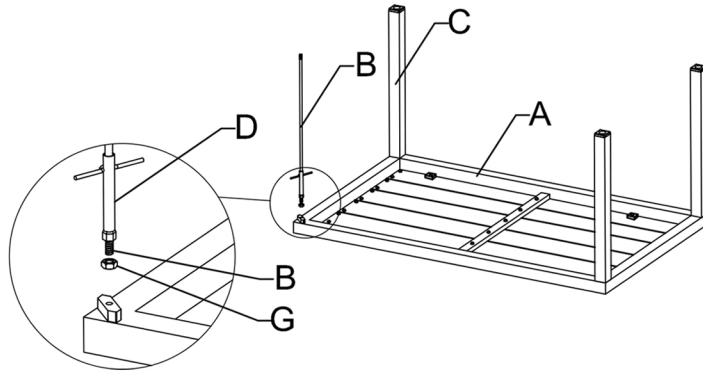


- Prior to assembly, please confirm all of the parts listed included.
- All bolts should be tightened before use. Maybe, you need allen wrench for assembly.
- Missing Part? Damaged? Contact us via email at [service@domioutdoorliving.com](mailto:service@domioutdoorliving.com)

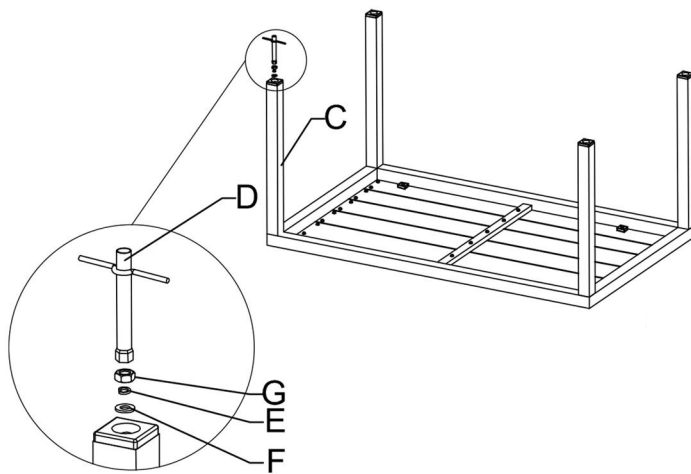
# Table Assembly Manual

## Parts list:

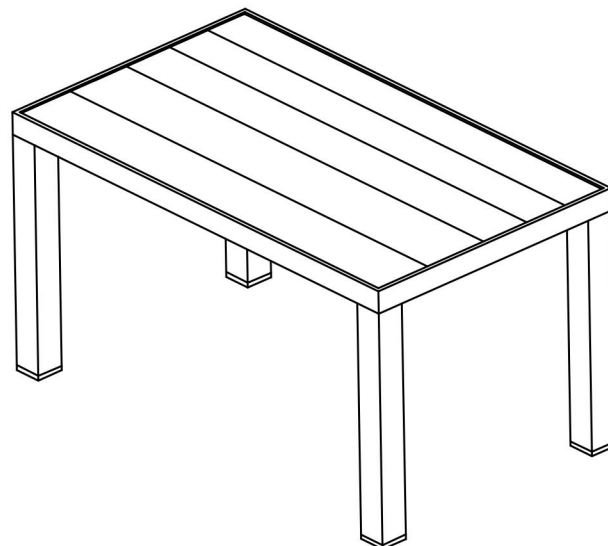
A		X1
B		X4
C		X4
D		X1
E		X4
F		X4
G		X8



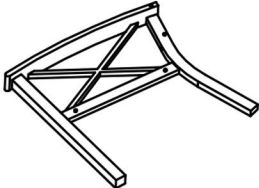
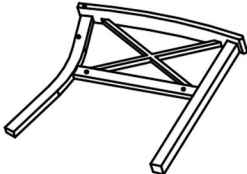
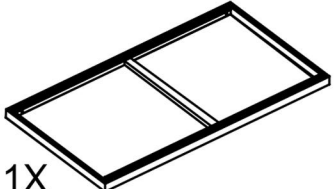
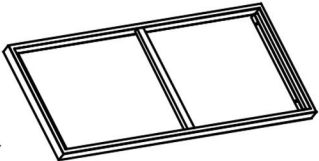



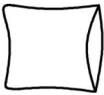
**Step 1:** Screw Part G to Part B about 0.5" , then screw Part B to Part A. Lock Part G using Part D(Tool).



**Step 2:** Cover Part B with Part C, Then put Part F and Part E to Part B. Lock Part G(Screw) using Part D(Tool).

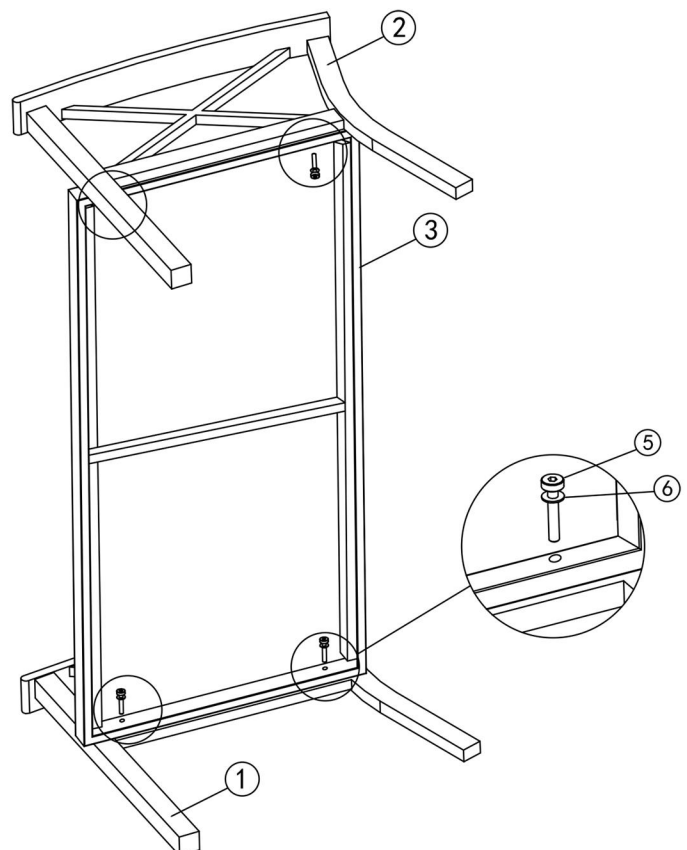


# Parts List:

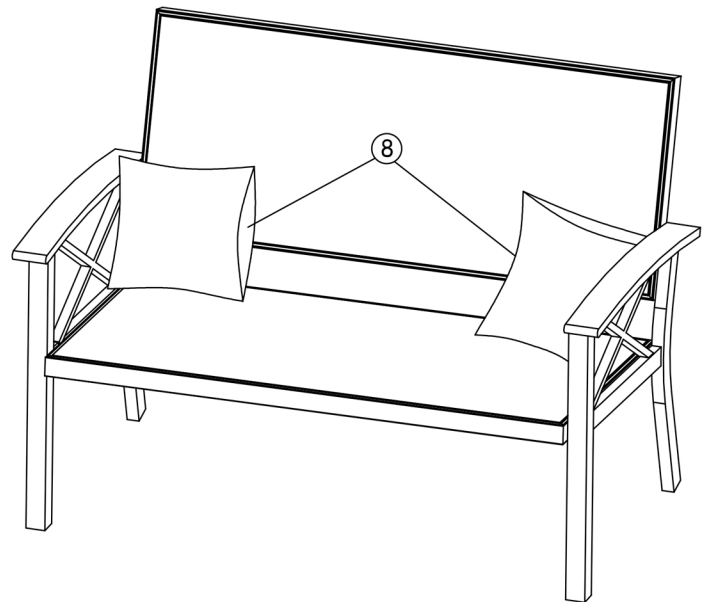
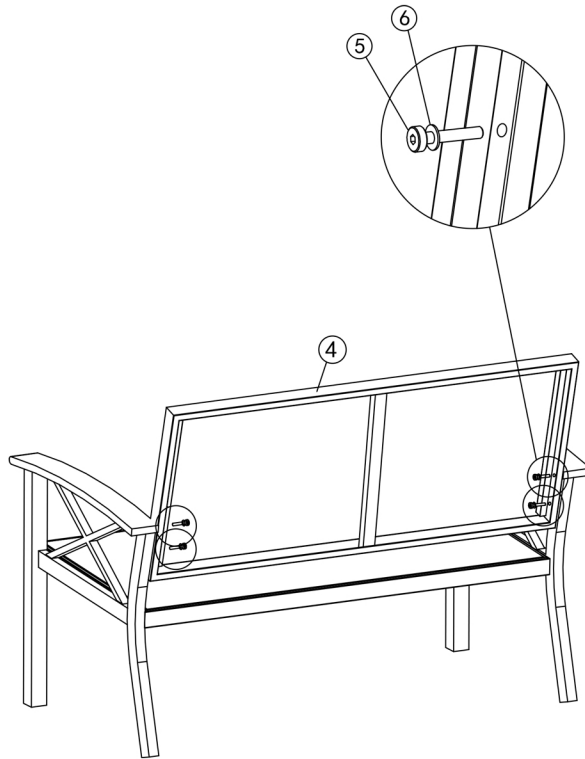
 <p>① 1X</p>	 <p>② 1X</p>	 <p>③ 1X</p>	
 <p>④ 1X</p>	 <p>⑤ 8X M6X30</p>	 <p>⑥ 8X D6</p>	 <p>⑦ 1X</p>
 <p>⑧ 2X</p>			

**Step 1:** Install Part 1(Leg) and Part 2(Leg) to Part 3(Seat) with Part 5(Screws) and Part 6 using Part 7(Wrench).

Please don't tighten the screws fully before the backrest is assembled.

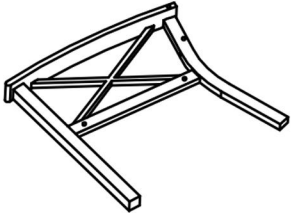
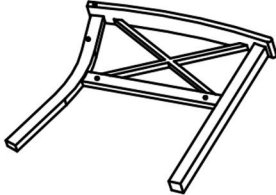
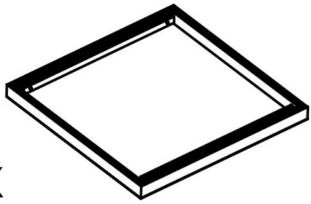
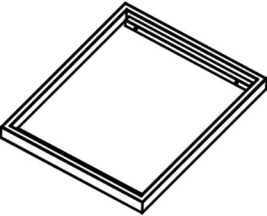



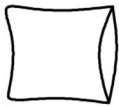


Step 2: Install Part 4(Backrest) to the legs with Part 5(Screws) and Part 6 using Part 7(Wrench).

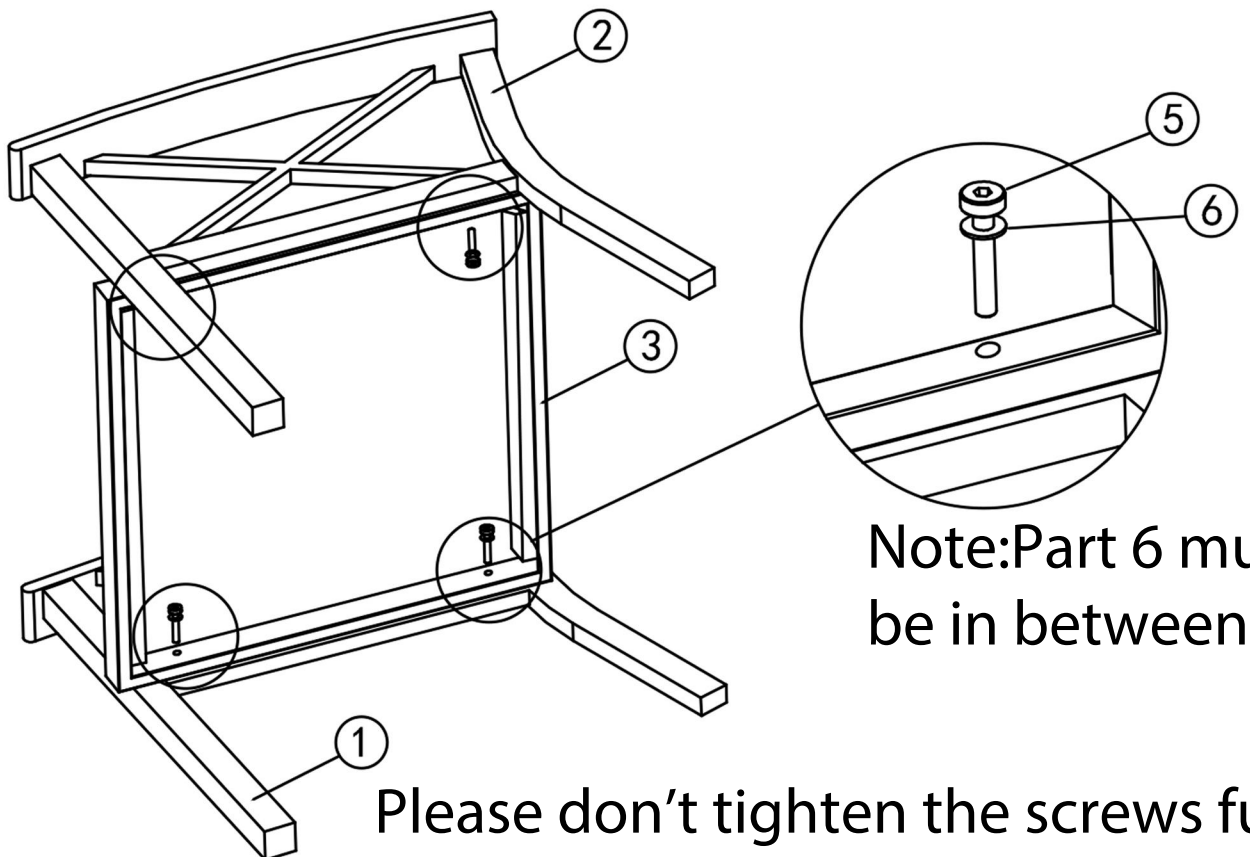


Finally, get the chair.

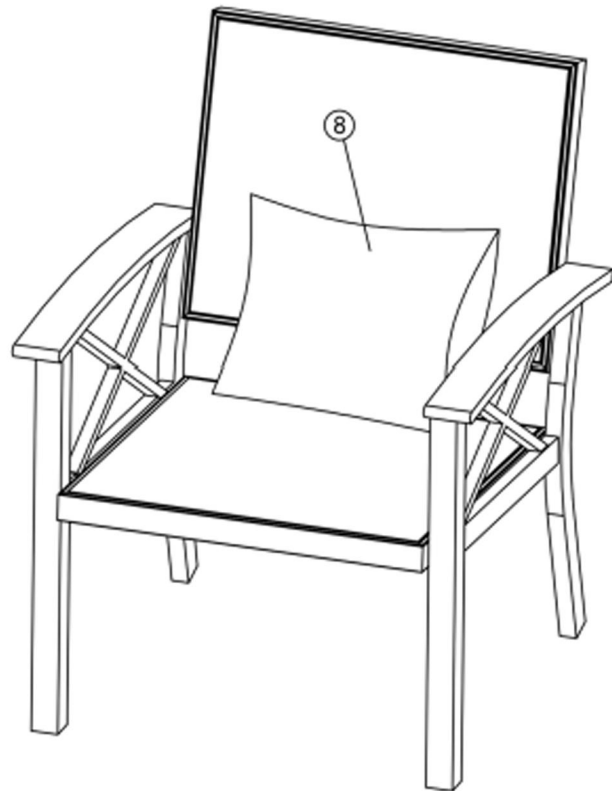
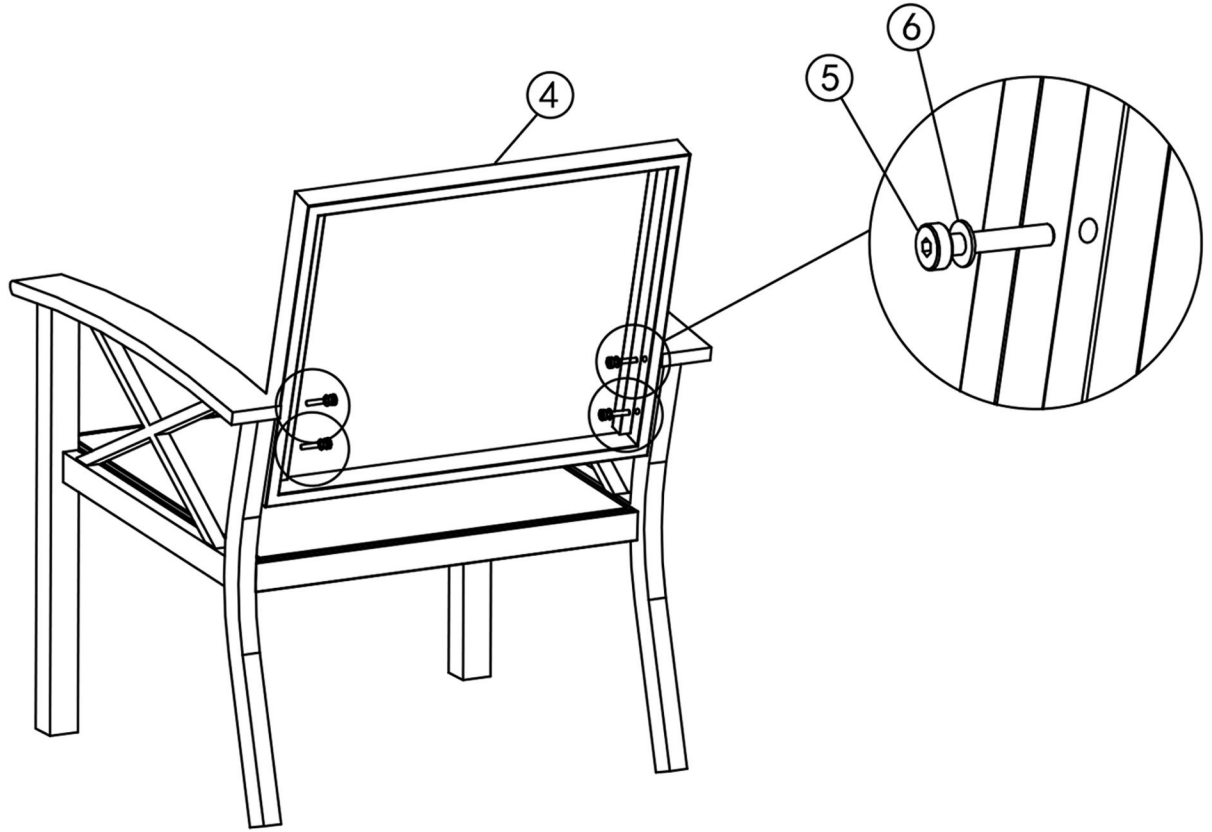
# Parts List:

 <p>① 1X</p>	 <p>② 1X</p>	 <p>③ 1X</p>	
 <p>④ 1X</p>	 <p>⑤ 8X M6X30</p>	 <p>⑥ 8X D6</p>	 <p>⑦ 1X</p>
 <p>⑧ 1X</p>			

**Step 1:** Install Part 1(Leg) and Part 2(Leg) to Part 3(Seat) with Part 5(Screws) and Part 6 using Part 7(Wrench).



**Step 2: Install Part 4(Backrest) to the legs with Part 5(Screws) and Part 6 using Part 7(Wrench).**



Finally, get the chair.



RESORT COMFORT IN YONR  
OWN BACKYARD

## Thanks for your purchase.

At domi outdoor living, we believe in our products.

That's why we provide a 12-month warranty and

friendly, easy-to-reach after-sales service. So if you

have any questions about our product and assembly-

, please feel free to contact us. We will be here for you.

**Support:**  

email: [service@domioutdoorliving.com](mailto:service@domioutdoorliving.com)

Please tell us your order ID when contact.

Attach photos of damaged part for instant reply.