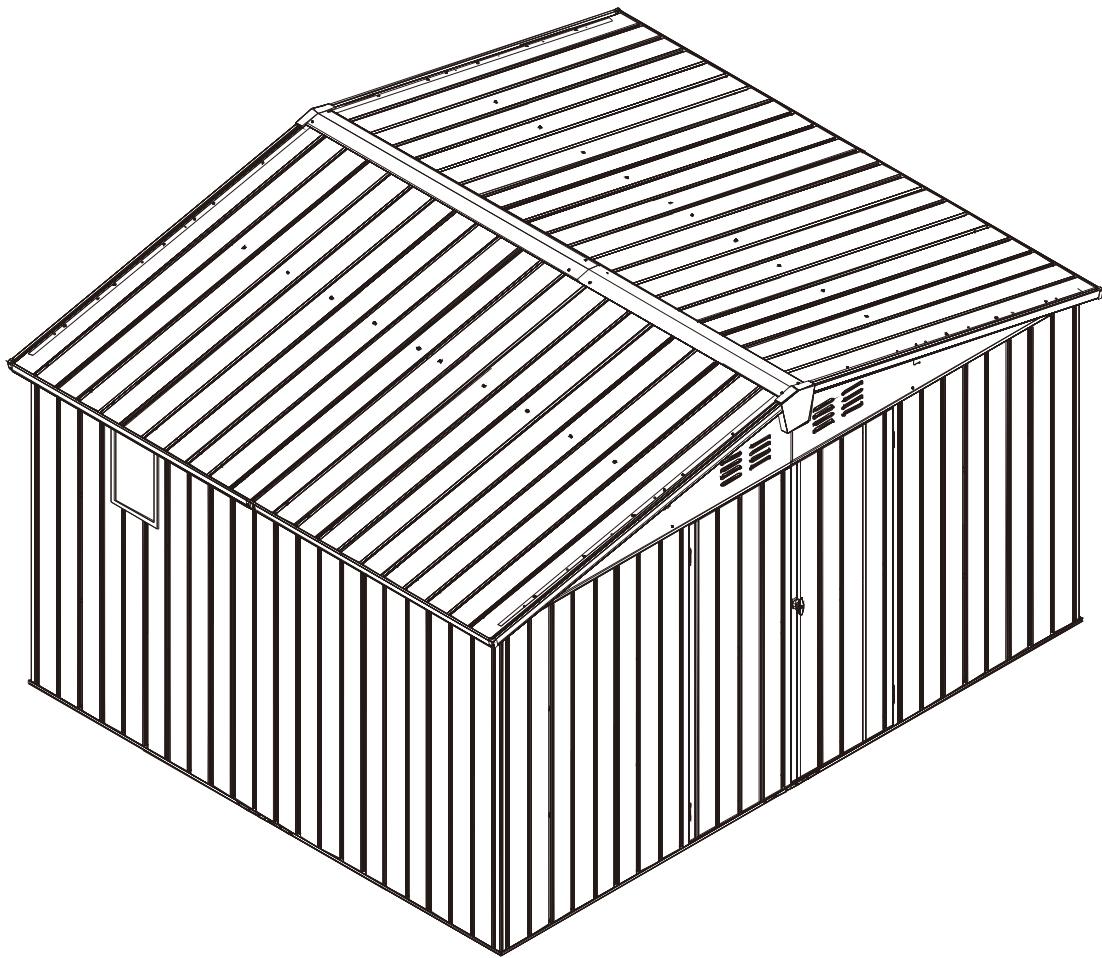


# 11'x9' Tool Storage Shed

## ASSEMBLY INSTRUCTIONS



**MODEL#: LGCF1620**

Missing part? Damaged? Contact us via email at  
[service@domioutdoorliving.com](mailto:service@domioutdoorliving.com)

[www.domioutdoorliving.com](http://www.domioutdoorliving.com)

© Copyright 2022–2024 domi LLC. | All Rights Reserved.

## Pre-assembly



1. Two or more people are required for assembly.



2. You will need one or more stepladders.



3. Wearing protective gloves is recommended.



4. You may need a safety hat.



5. Please use a Phillips screw driver.



6. For ease of construction, you may need a drill.



7. You may need a safety goggle.



8. Do not fully tighten screws prior to complete assembly.

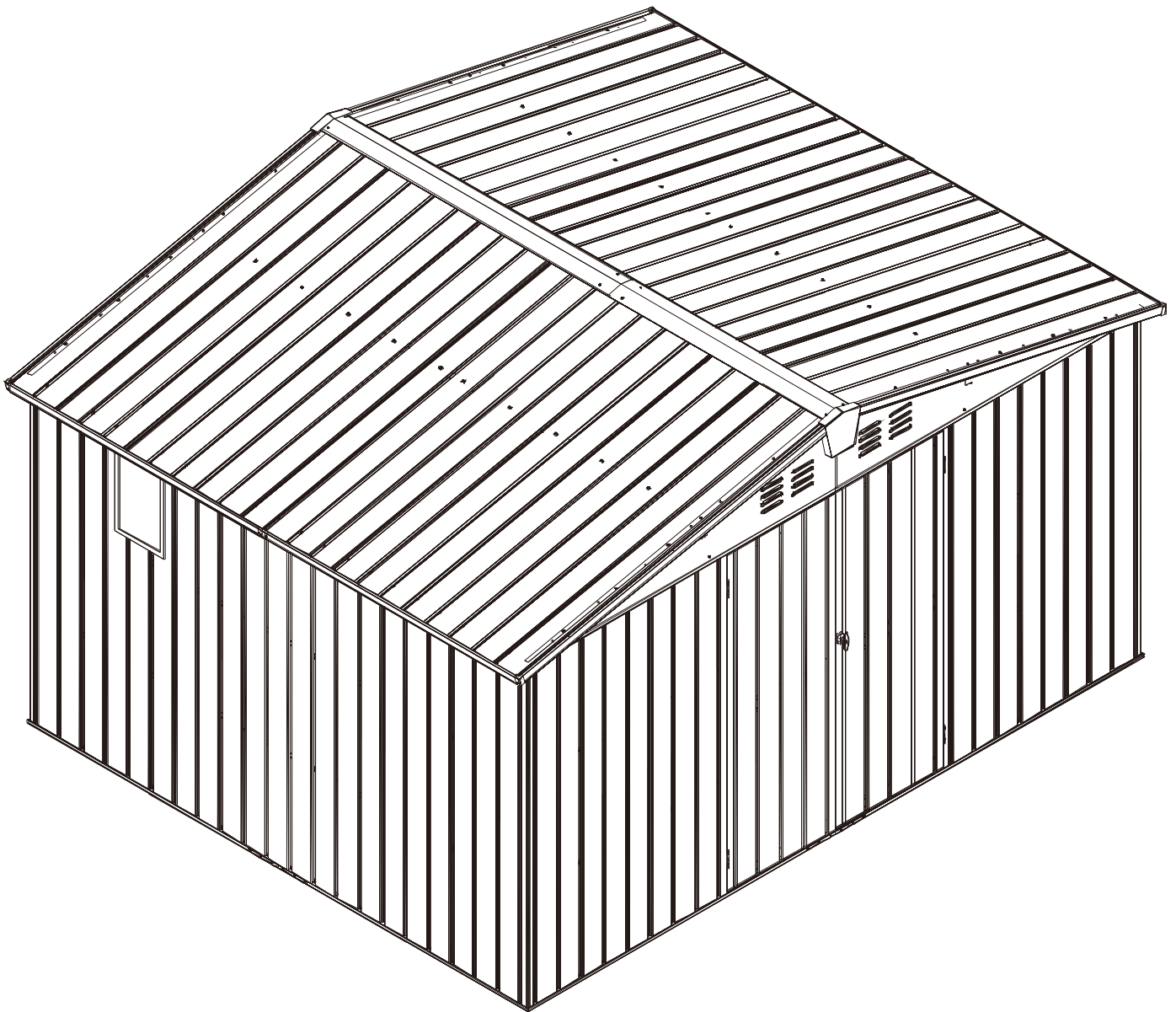
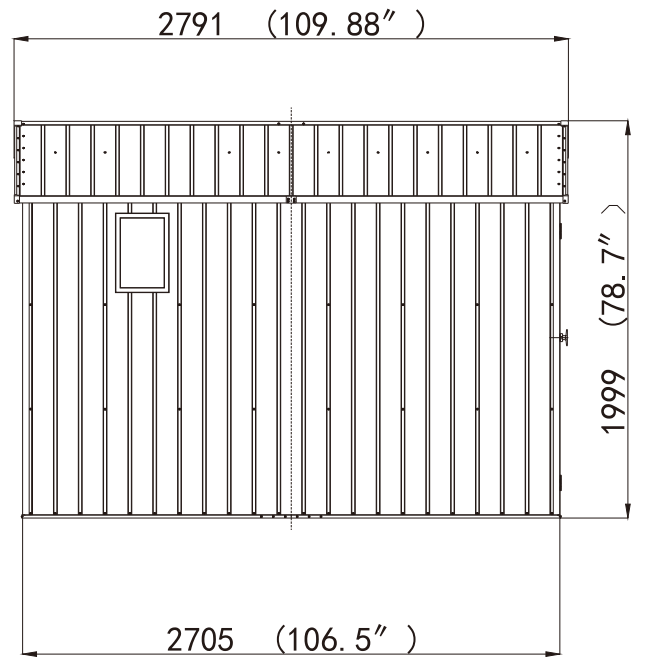
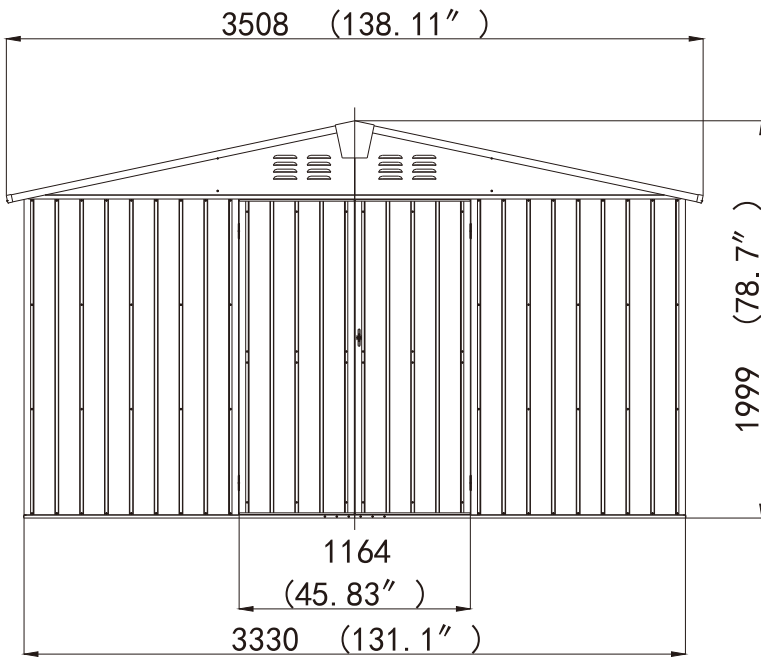
## Warning & Attention



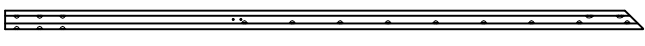
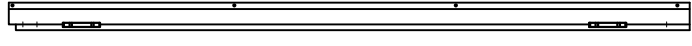

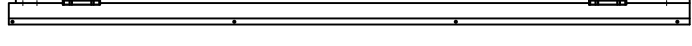

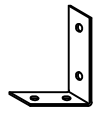
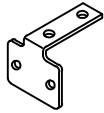

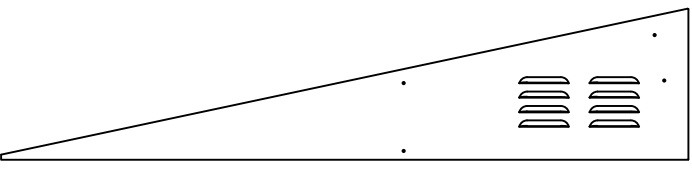


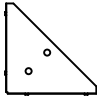
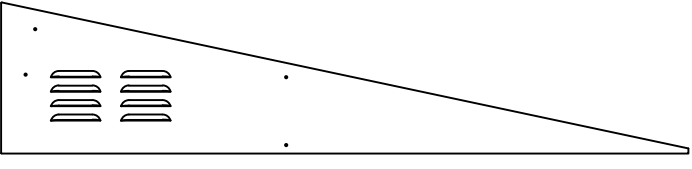

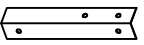
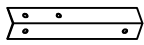
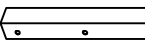
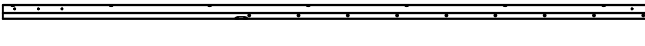
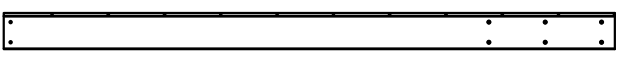
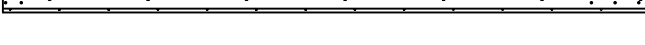

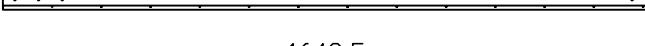
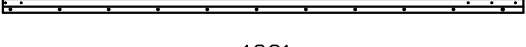
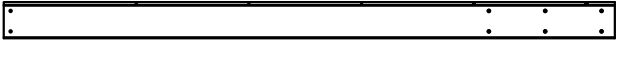
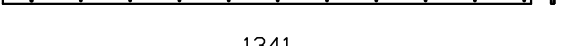
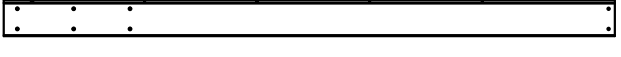
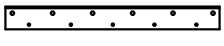
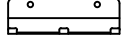
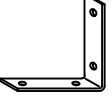
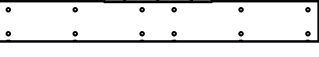
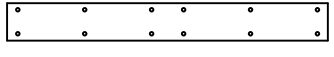
-Try to assemble this product on the flat ground, otherwise it is difficult to carry out;

-It would be much easier to assemble the product with three or more people;

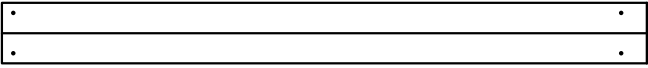
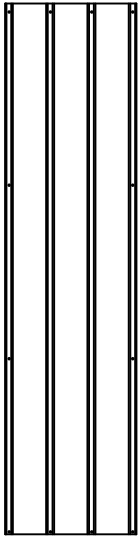
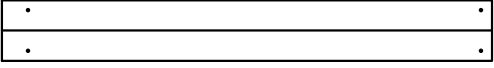
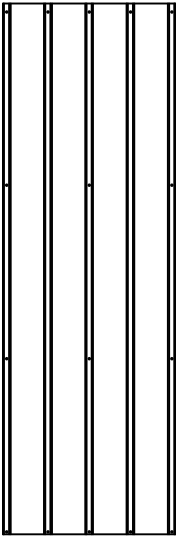

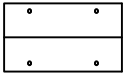
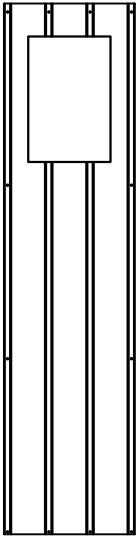


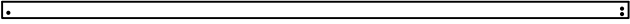
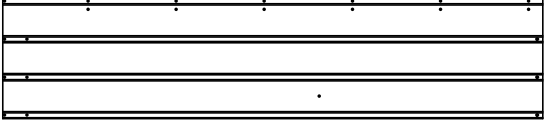
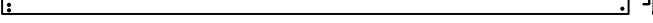
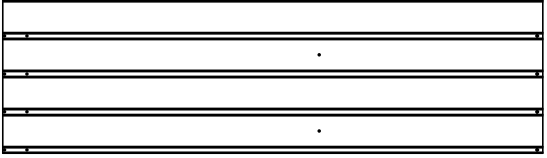


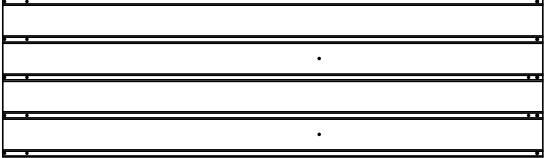
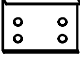

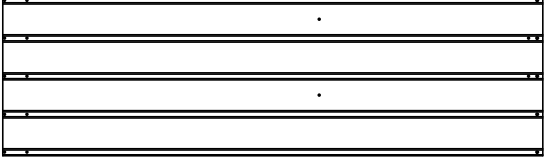

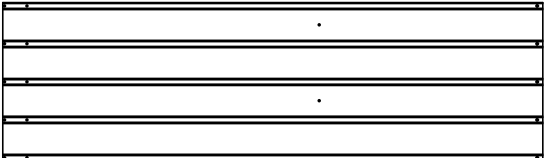

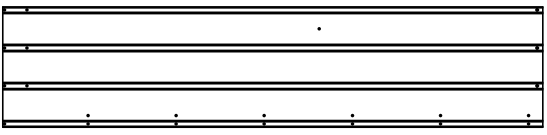
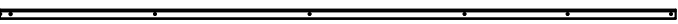


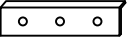
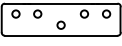

-After assembly, please check whether all screws are tightened, to prevent parts from falling apart.

▲ Use bolts to secure the frame to the ground to against the strong wind.

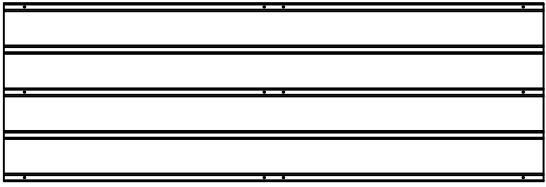


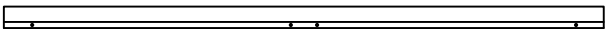

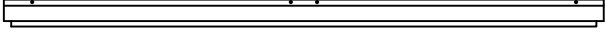

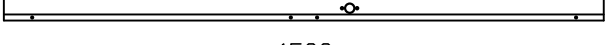

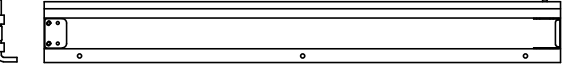

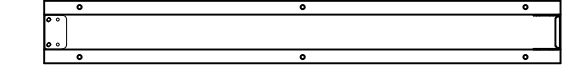
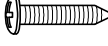
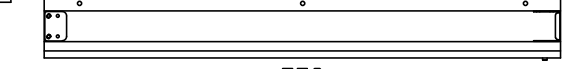

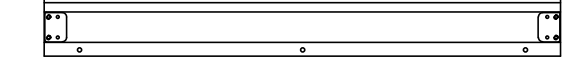

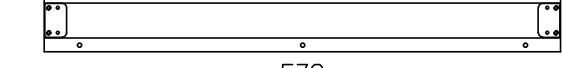

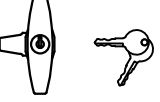

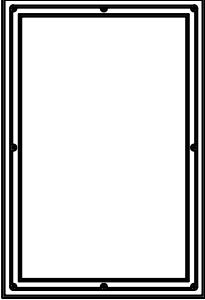
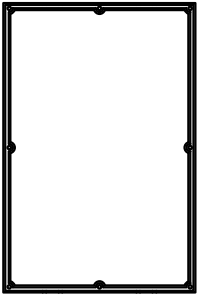
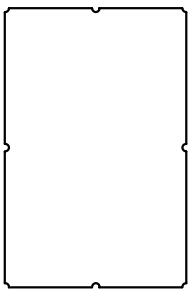


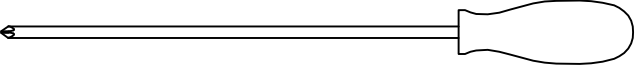
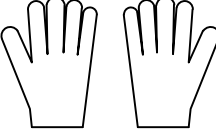
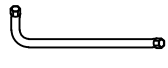
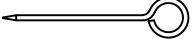


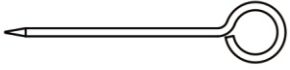
 1666 A1(x1)	 1608,5 C(x4)			
 1666 A2(x1)	 1609 C1(x1)			
 1666 A3(x1)	 1609 C2(x1)			
 1666 A4(x1)	 C3(x2)	 C4(x2)		
 1354 A5(x2)	 1665 D1(x2)			
 1354 A6(x2)				
 A7(x4)	 A(x4)	 1665 D2(x2)		
 1643,5 B1(x1)	 D3(x2)		 D4(x2)	 D(x4)
 1643,5 B2(x1)	 1357 E1(x2)			
 1643,5 B3(x1)	 1357 E2(x2)			
 1643,5 B4(x1)				
 1321 B5(x2)	 1357 E3(x2)			
 1341 B6(x2)	 1357 E4(x2)			
 B7(x4)	 B8(x1)	 B(x4)	 600 E5(x4)	 600 E6(x1)

List-1

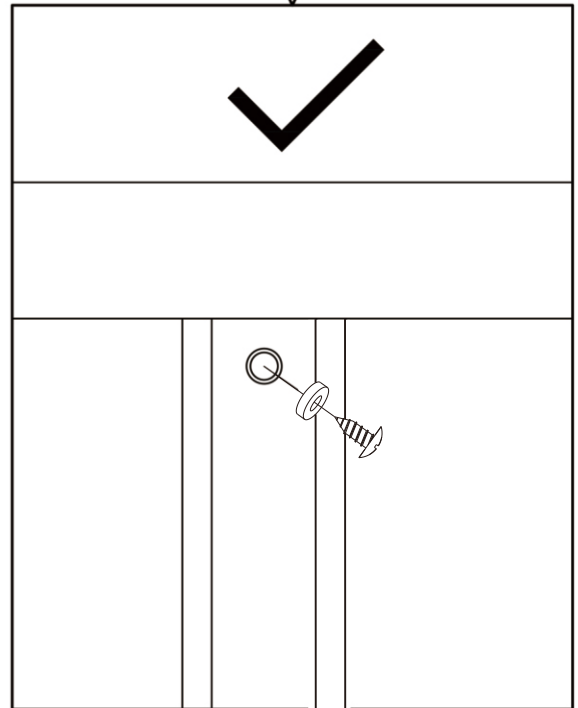
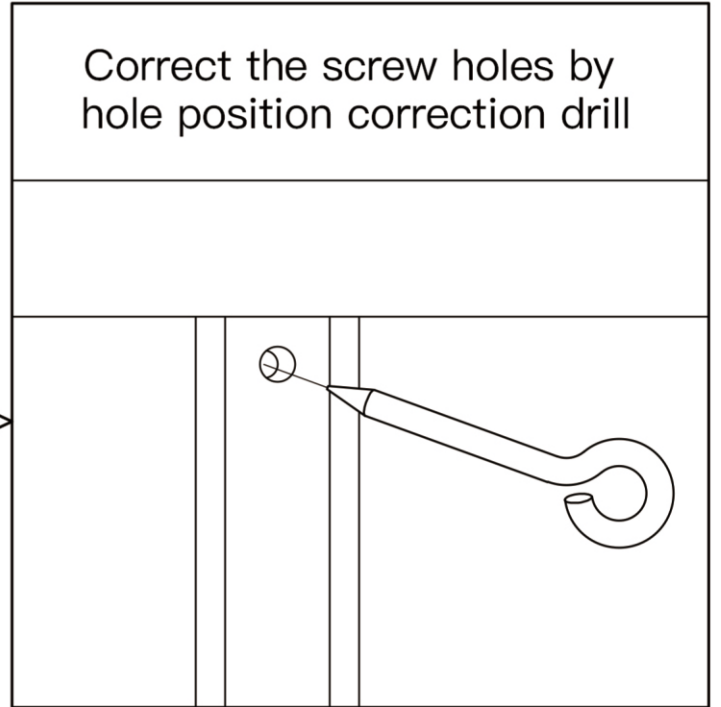
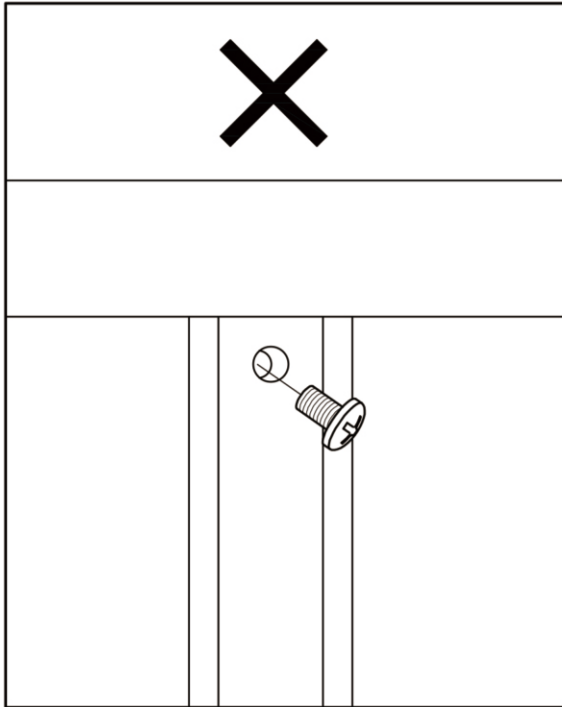
	1562,5	F (x1)		J (x18)			
	1187,5	F3 (x1)		J1 (x6)			
	F1 (x2)		F2 (x1)		J2 (x2)		
	1772	G1 (x2)					
	1772	G2 (x2)					
	1391,5	G3 (x2)		K2 (x2)			
	1391,5	G4 (x2)		K4 (x3)			
	G5 (x2)		G6 (x2)		K6 (x1)		
	G7 (x2)		1051	H1 (x2)		K5 (x1)	
	1051	H2 (x2)				K3 (x3)	
	1637	H3 (x2)				K1 (x2)	
	1637	H4 (x2)					
	1324,5	H5 (x4)					
	1324,5	H6 (x4)					
	H7 (x6)		Y (x4)		Z (x66)		

List-2

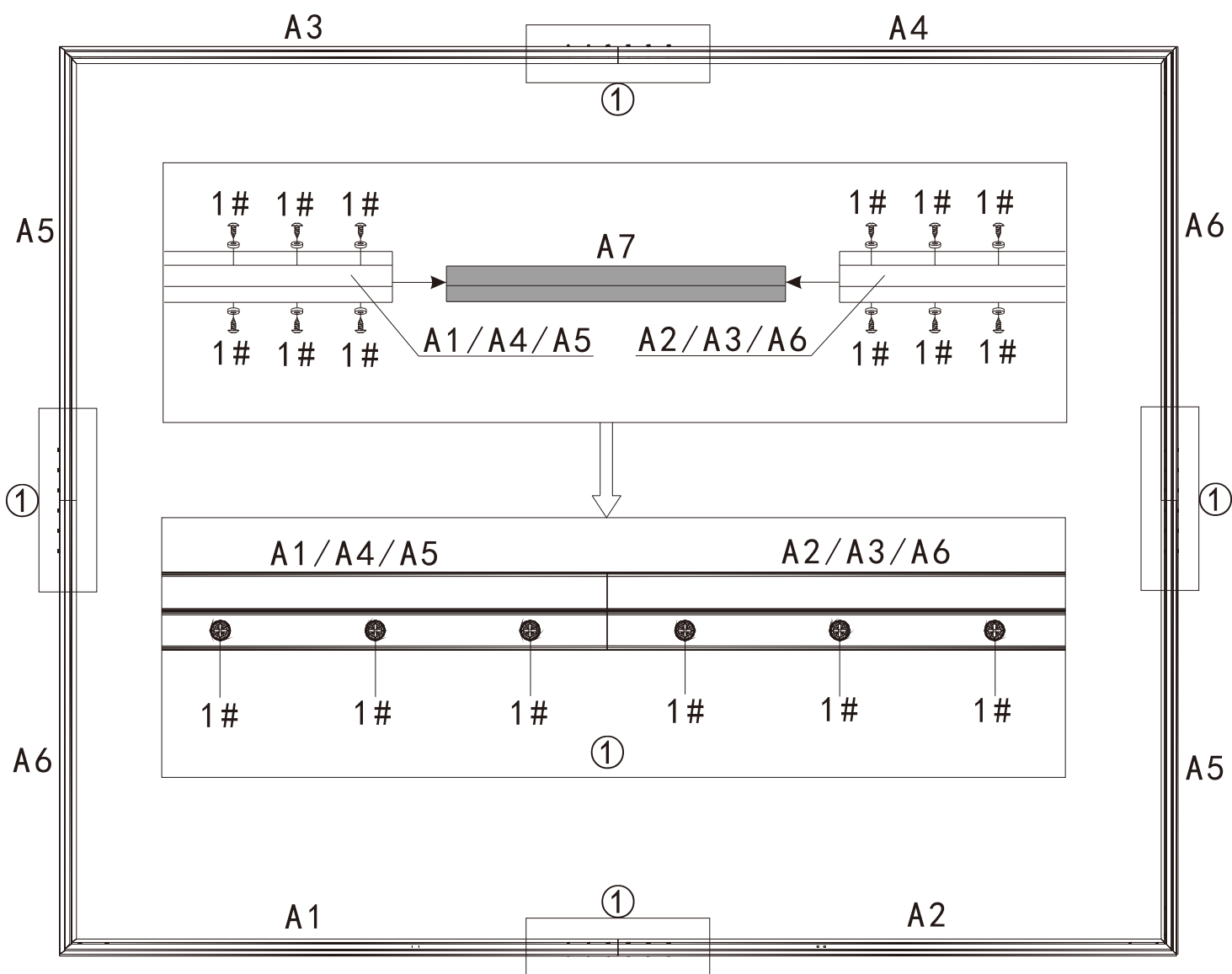
 <p>1582</p> <p>M (x2)</p>	 <p>4x10</p> <p>1# (x312)</p>  <p>M4x6</p> <p>2# (x134)</p>
 <p>1582</p> <p>M1 (x2)</p>	 <p>M4x8</p> <p>3# (x66)</p>
 <p>1582</p> <p>M2 (x1)</p>	 <p>4x20</p> <p>4# (x42)</p>
 <p>1582</p> <p>M3 (x1)</p>	 <p>4x22</p> <p>5# (x20)</p>
 <p>579</p> <p>M4 (x1)</p>	 <p>M4x10</p> <p>6# (x12)</p>
 <p>579</p> <p>M5 (x1)</p>	 <p>ST4.2x22</p> <p>7# (x8)</p>
 <p>579</p> <p>M6 (x1)</p>	 <p>M4x8</p> <p>8# (x8)</p>
 <p>579</p> <p>M7 (x2)</p>	 <p>4x12</p> <p>9# (x106)</p>
 <p>579</p> <p>M8 (x1)</p>	 <p>M4x8</p> <p>10# (x24)</p>
 <p>M9 (x1)</p>	 <p>M10 (x1)</p>
 <p>N (x2)</p>  <p>N1 (x2)</p>  <p>N2 (x2)</p>	 <p>4x16</p> <p>12# (x40)</p>
	 <p>ST3.5x16</p> <p>13# (x16)</p>
	 <p>Cross Screwdriver</p>  <p>Gloves</p>  <p>Hexagonal Socket Wrench</p>  <p>Hole Position Correction Drill</p>



Hole position correction drill



If the screw holes are not symmetrical, you can use this tool to correct the hole position.



①: Use part #A7 to connect the bottom frame respectively, and then fix with bolt #1 and gaskets as shown.





A(x4)



C3(x2)



9#(x4)

Plastic Gaskets

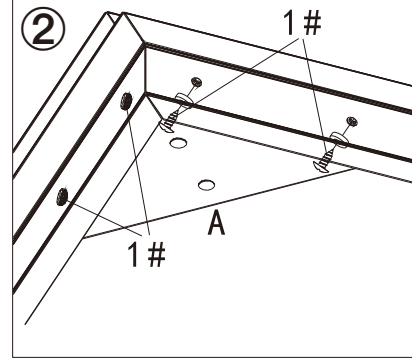
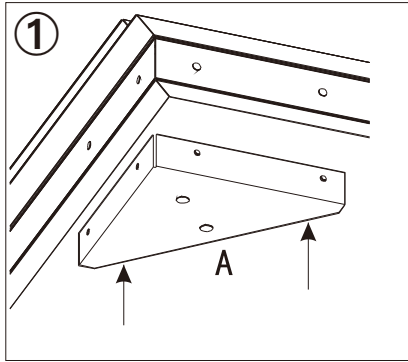


1#(x16)

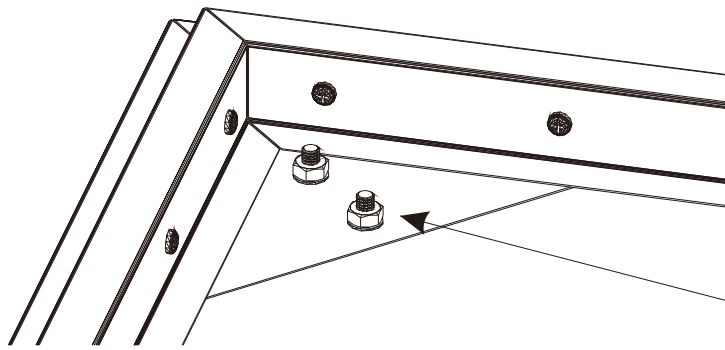
Plastic Gaskets

①: Insert part #A to the corners.

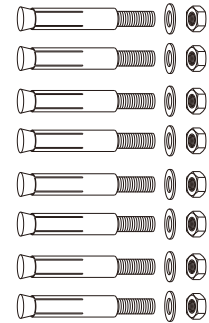
②: Fix with 4 bolts #1 & gaskets.



③

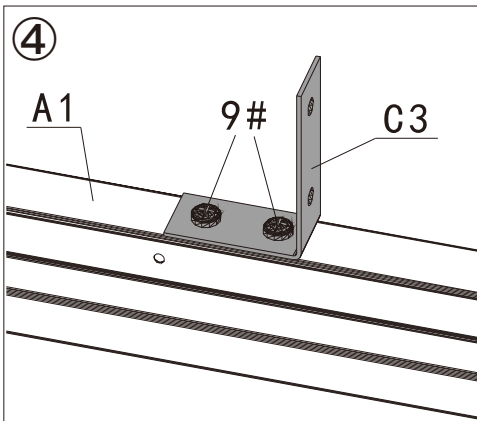


M6-8pcs



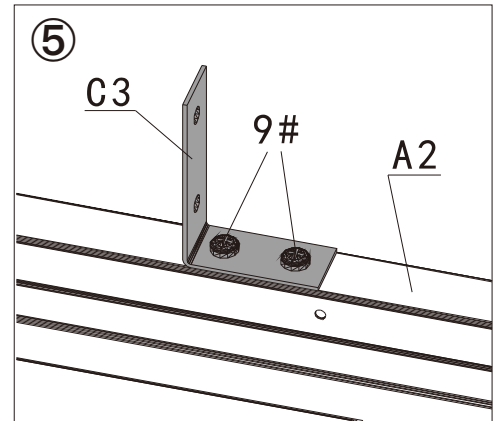
③: You need to prepare bolts by yourself to secure the frame to the ground.

④

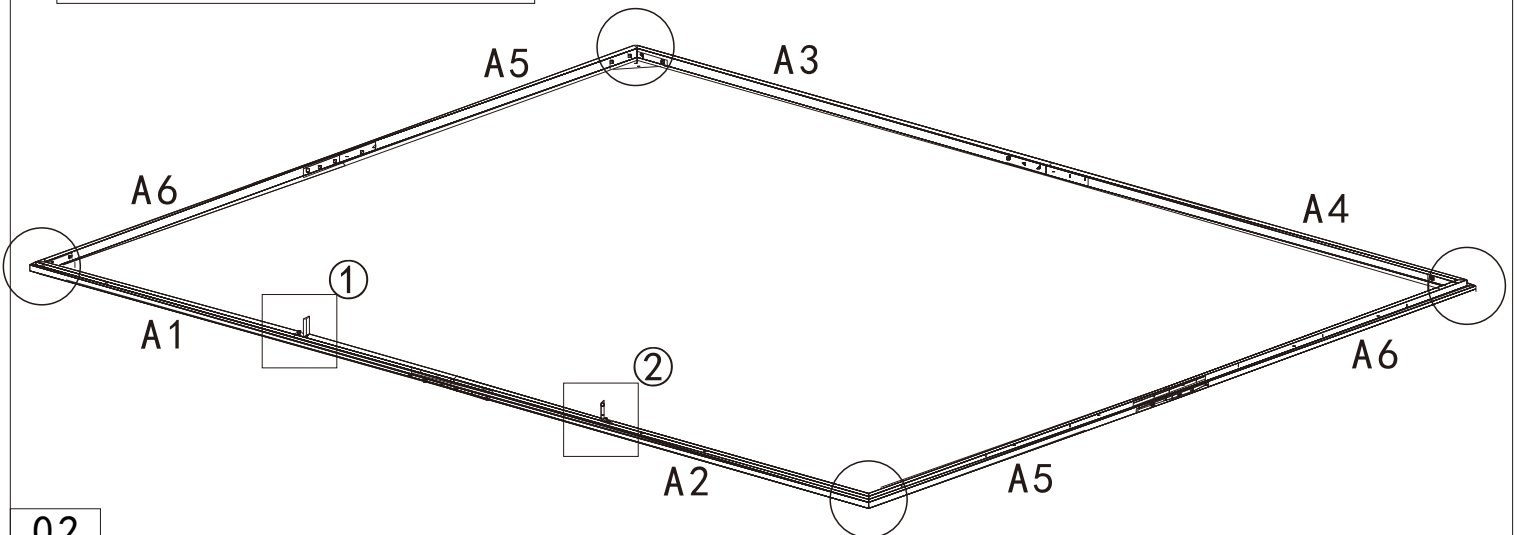


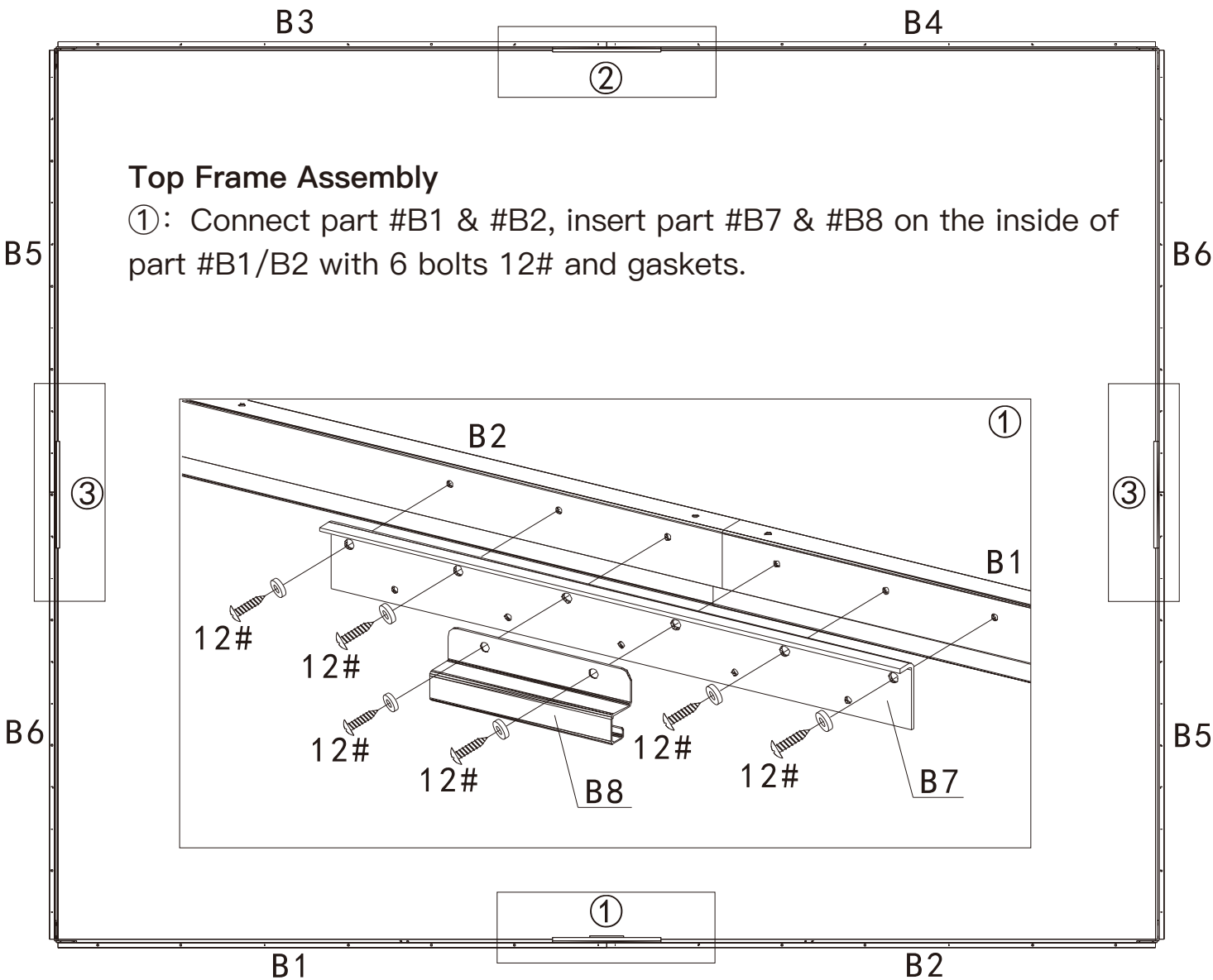
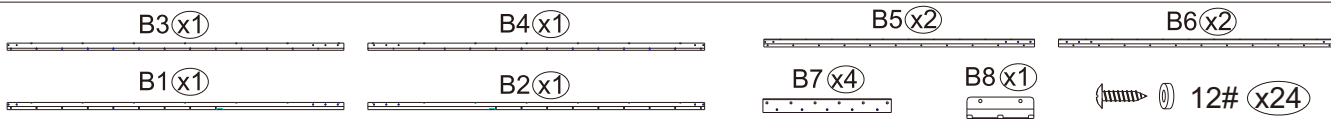
④/⑤: Fix 2 part#C3 on part #A1, part #A2 by using 4 bolts 9# and gaskets.

⑤



① ② ③



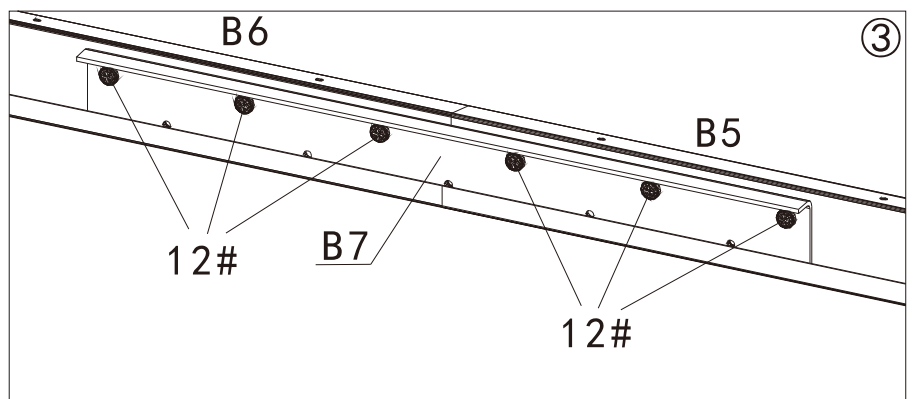
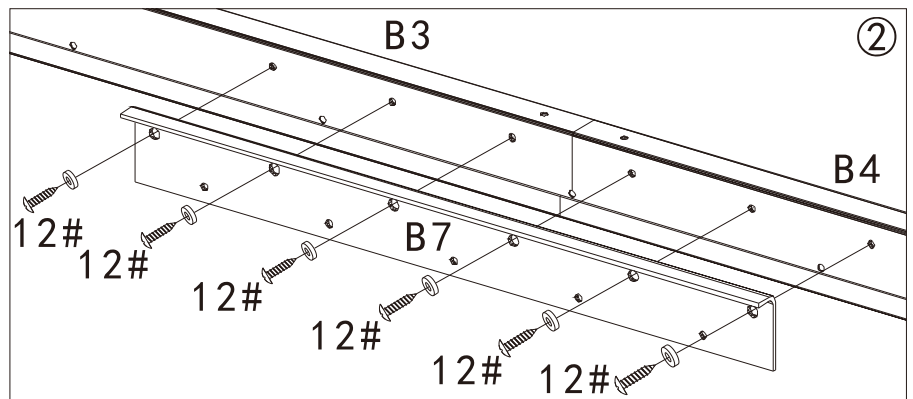


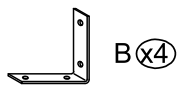
**Top Frame Assembly**

①: Connect part #B1 & #B2, insert part #B7 & #B8 on the inside of part #B1/B2 with 6 bolts 12# and gaskets.

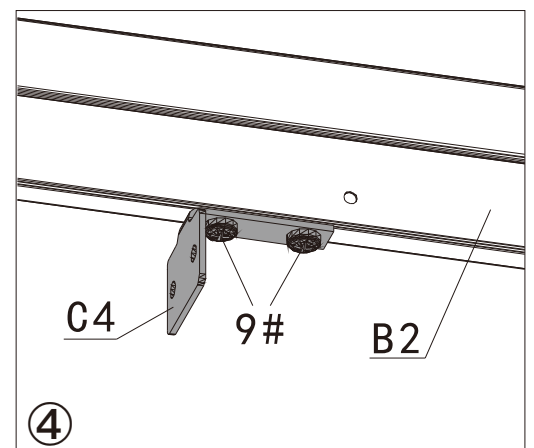
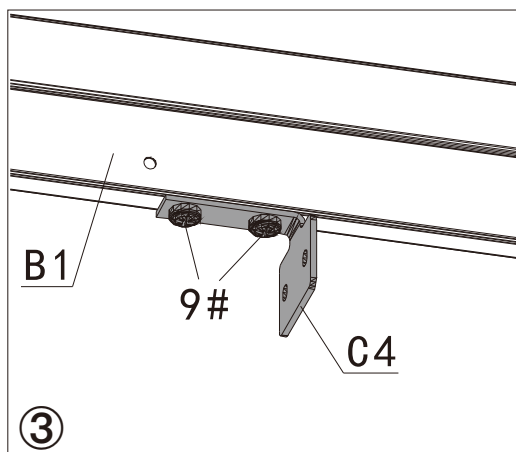
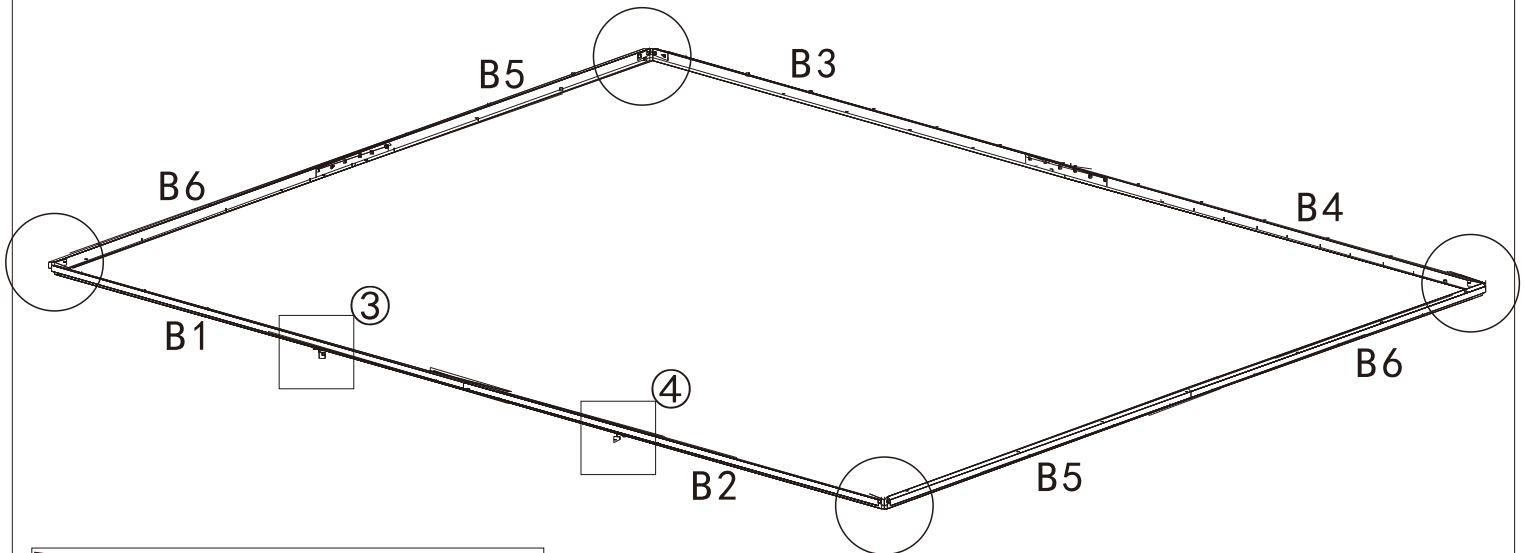
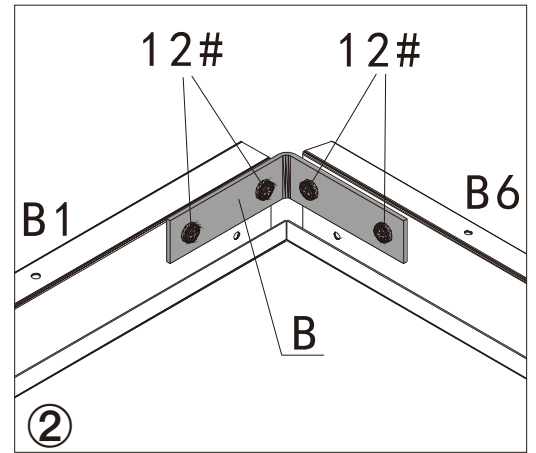
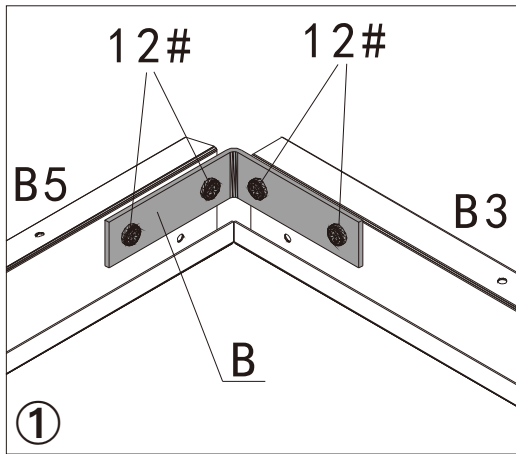
②: Connect part #B3 & #B4, insert part #B7 on the inside of part #B3/B4 with 6 bolts 12# and gaskets.

③: Connect part #B5 & #B6, insert part #B7 with 6 bolts 12# and gaskets.



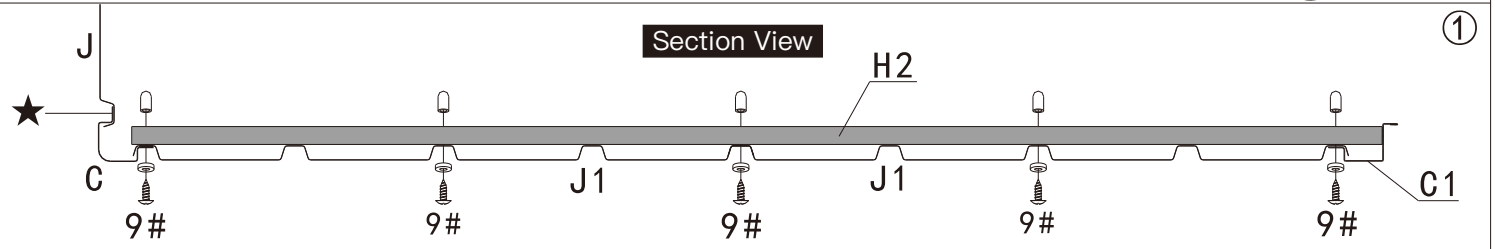


①/②: Use #part #B to connect part #B5 & #B3, part #B4 & #B6, part #B5 & #B2, part #B1 & #B6, fix with 16 bolts 12# and gaskets.

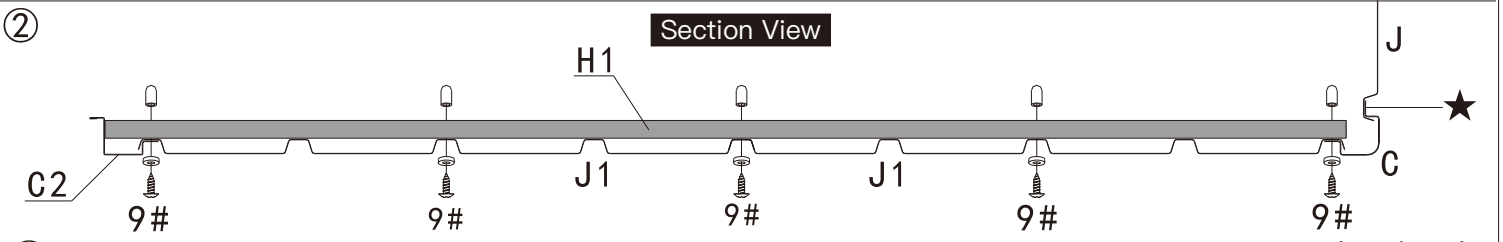


③/④: Fix 2 part #C4 on part #B1, part #B2 by 4 bolts 9# and gaskets.

⚠ You can also install each top frame on each wall separately.

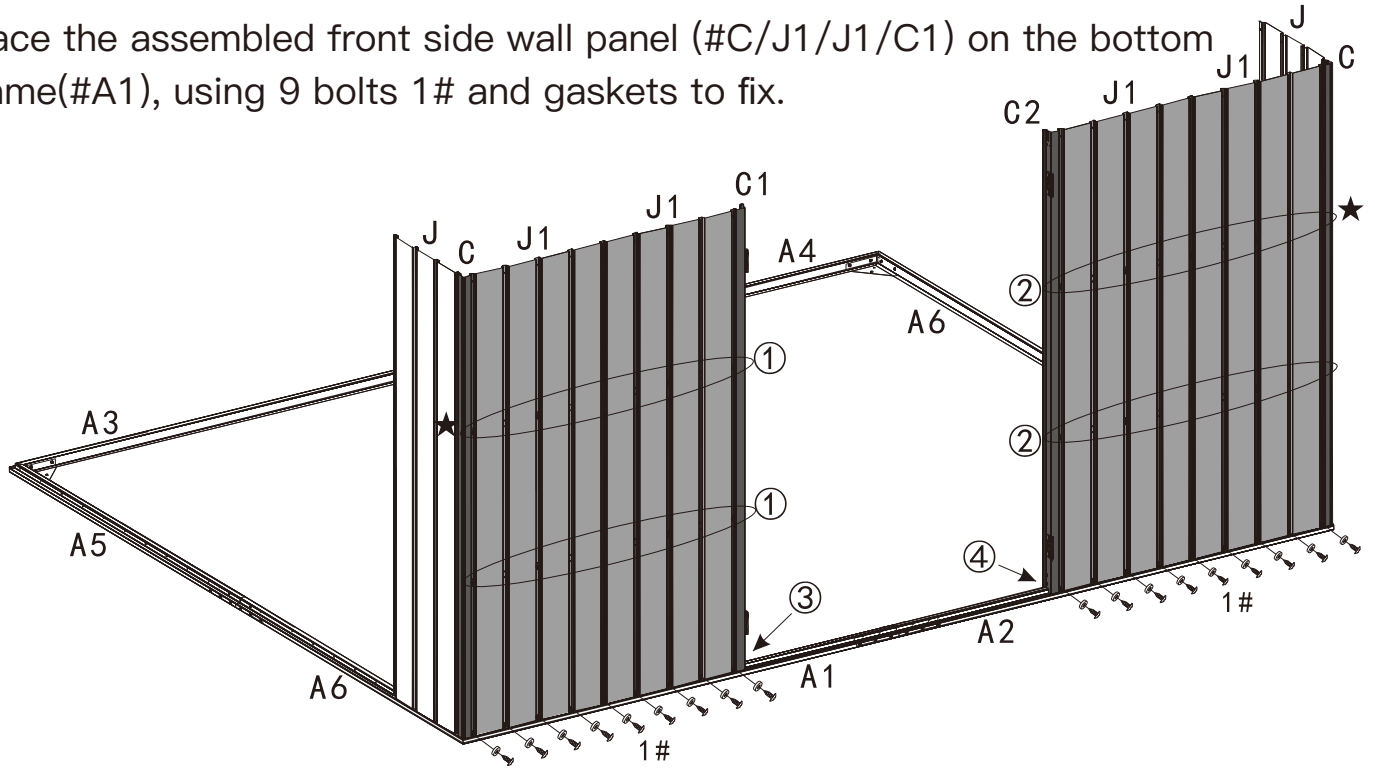


①: Use 10 bolts 9#, gaskets and caps to connect 2 part #H2 with part #C/J1/J1/C1 to form a front side wall panel.



②: Use 10 bolts 9#, gaskets and caps to connect 2 part #H1 with part #C2/J1/J1/C to form a front side wall panel.

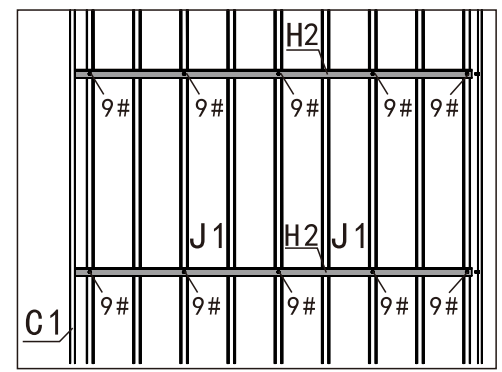
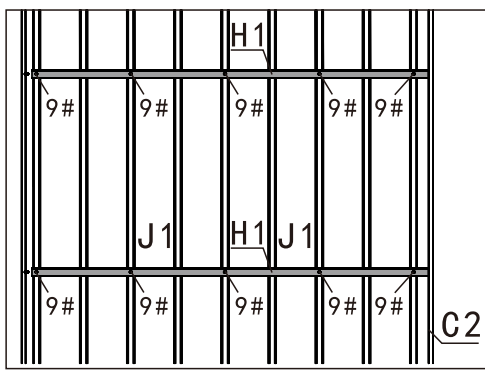
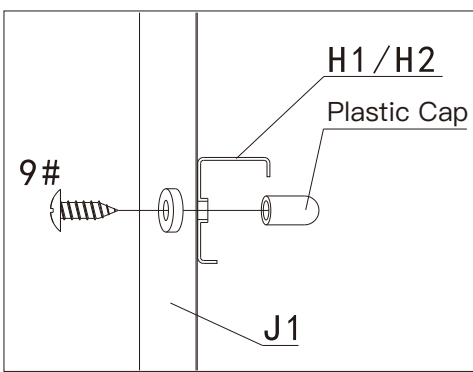
Place the assembled front side wall panel (#C/J1/J1/C1) on the bottom frame(#A1), using 9 bolts 1# and gaskets to fix.

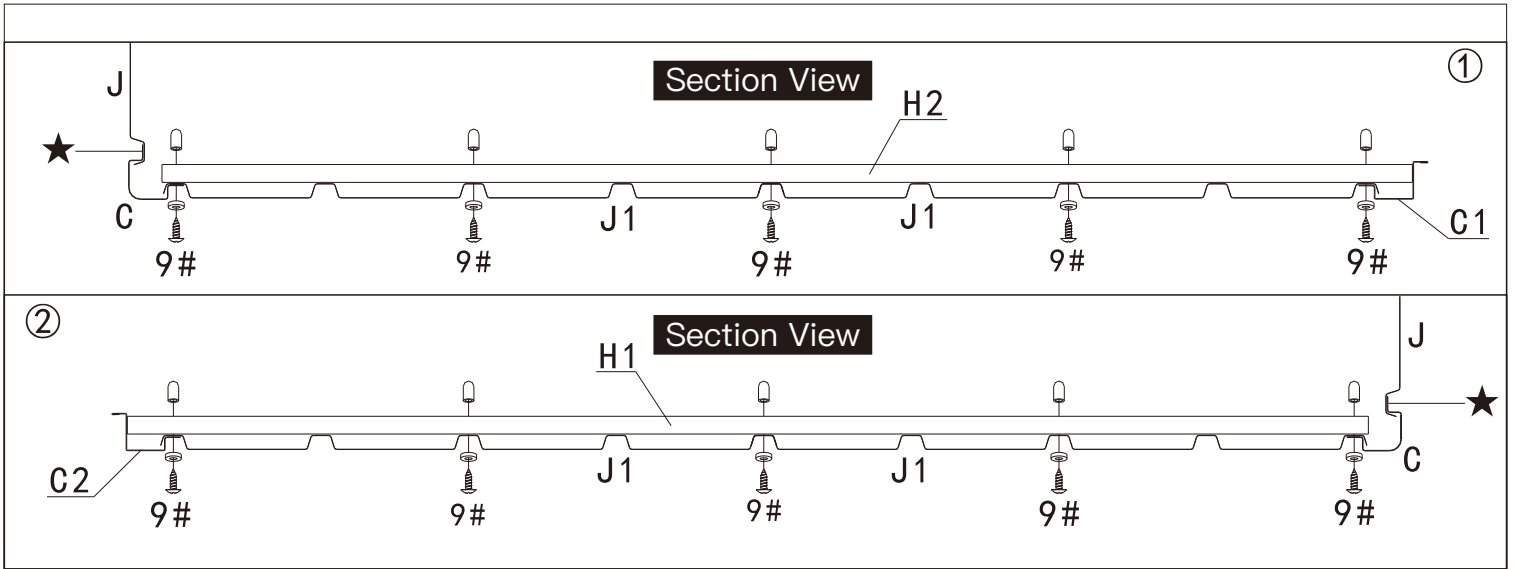


Place the assembled front side wall panel (#C2/J1/J1/C) on the bottom frame(#A2), using 9 bolts 1# and gaskets to fix.

Side View

Back View

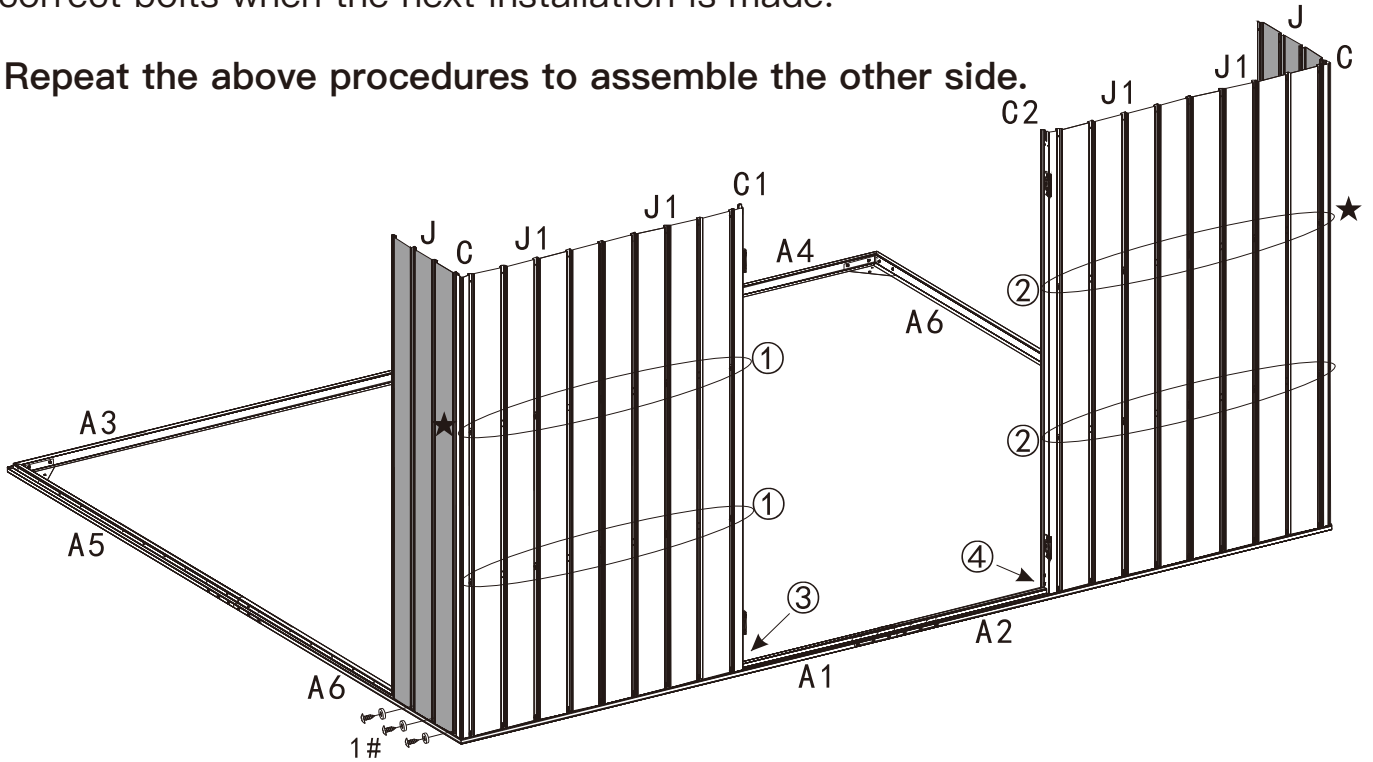




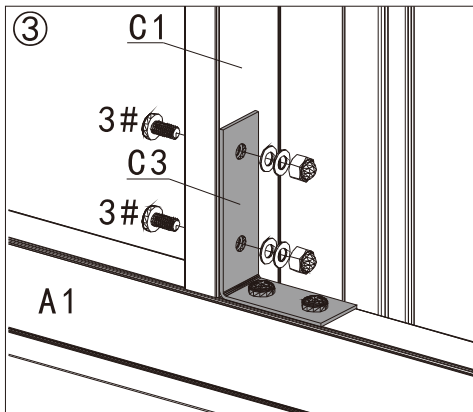
Place part #J on the bottom frame(#A6), using 3 bolts 1# and gaskets to fix.

**⚠ Attention:** To ensure the stability of the wall panel(#J) during assembly, you can temporarily reinforce this position(☆) with bolts 2#, and replace it with other correct bolts when the next installation is made.

Repeat the above procedures to assemble the other side.

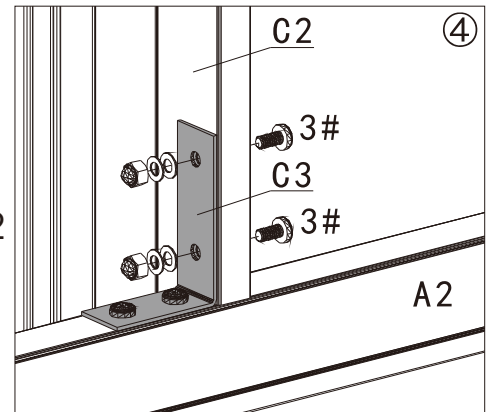


Inside View

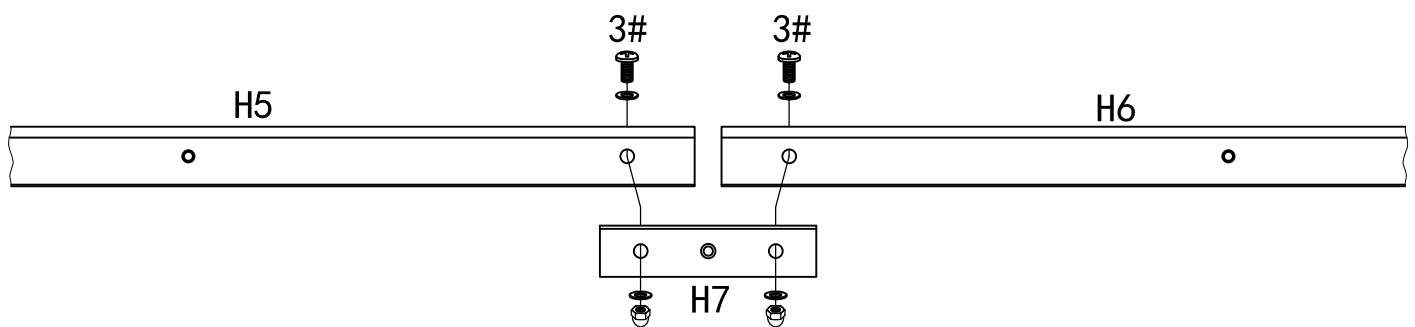
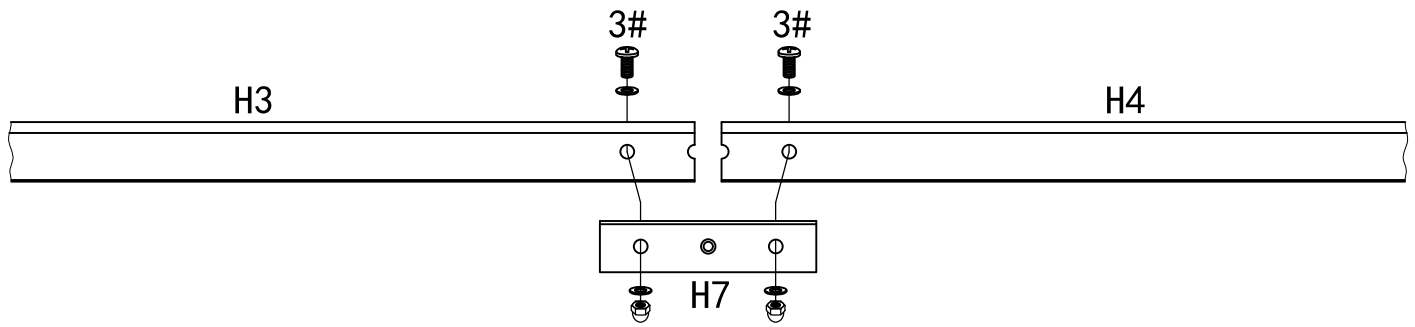
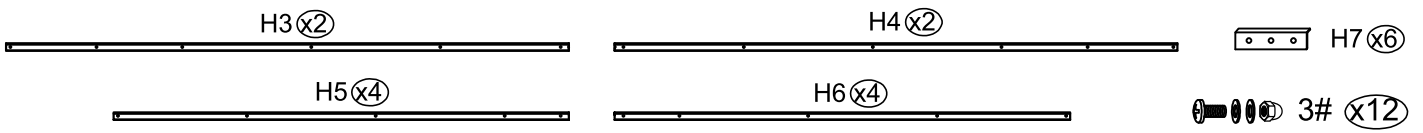


③: Fix part #C3 to part #C1 with 2 bolts 3#, 4 gaskets and 2 nuts.

Inside View

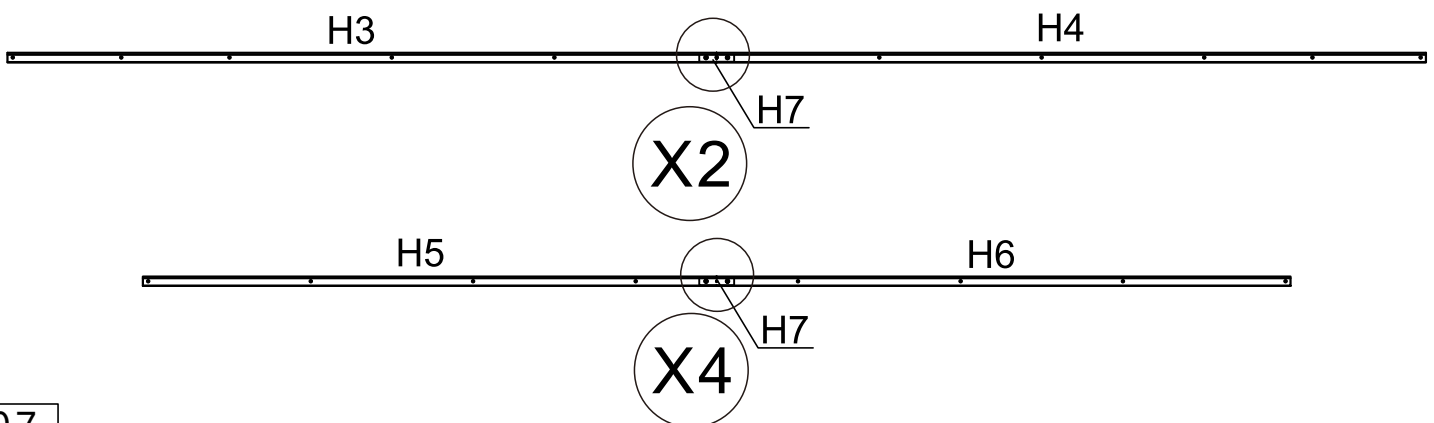
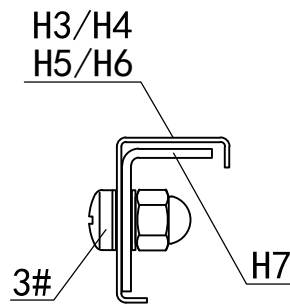


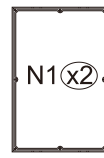
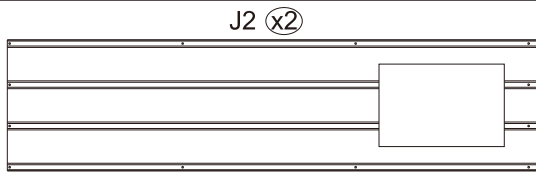
④: Fix part #C3 to part #C2 with 2 bolts 3#, 4 gaskets and 2 nuts.



Use part #H7 to connect part #H3 and part #H4, and fix with bolts 3#, gaskets and nuts.

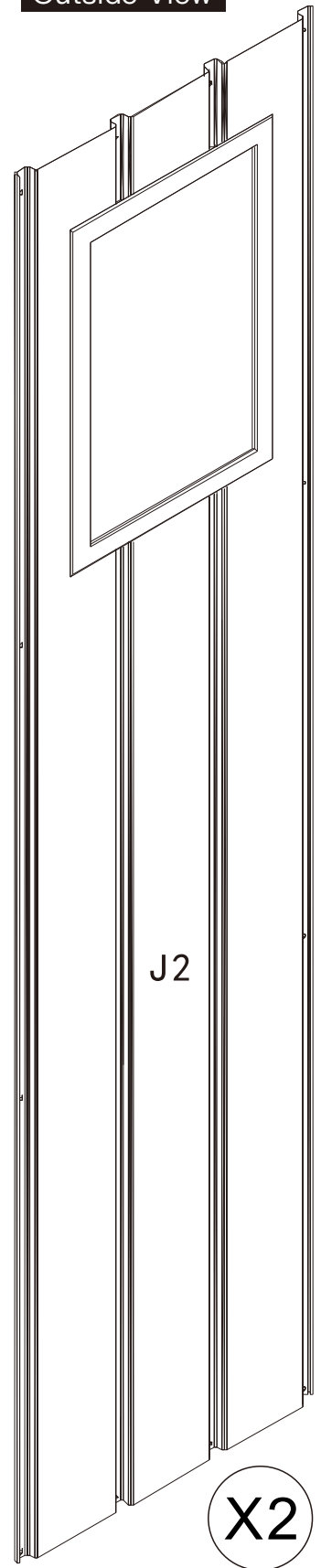
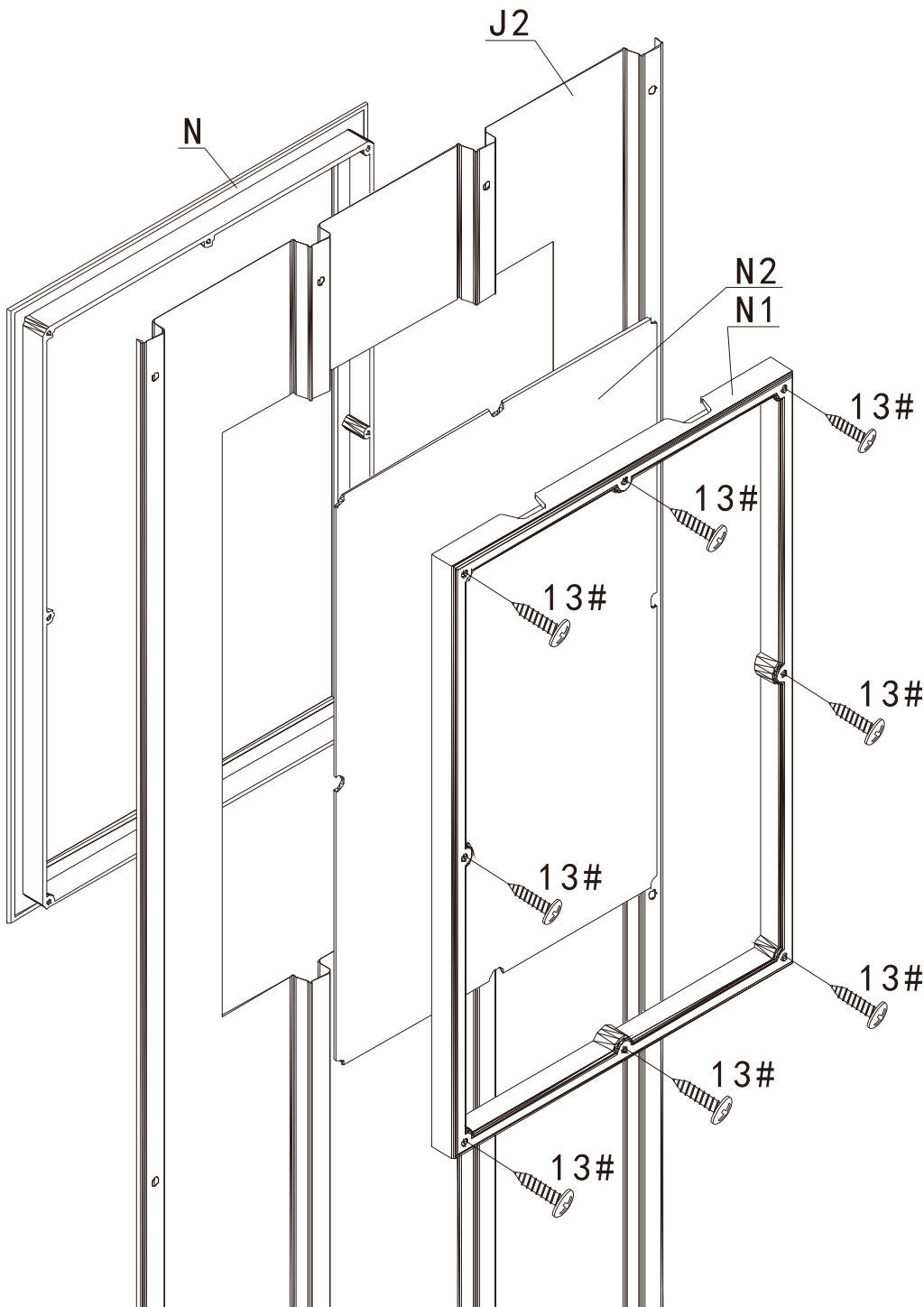
Repeat the above procedures to connect part #H5 with part #H6.





Inside View

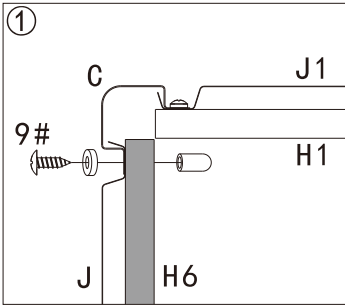
Outside View



**Side Window Assembly:**

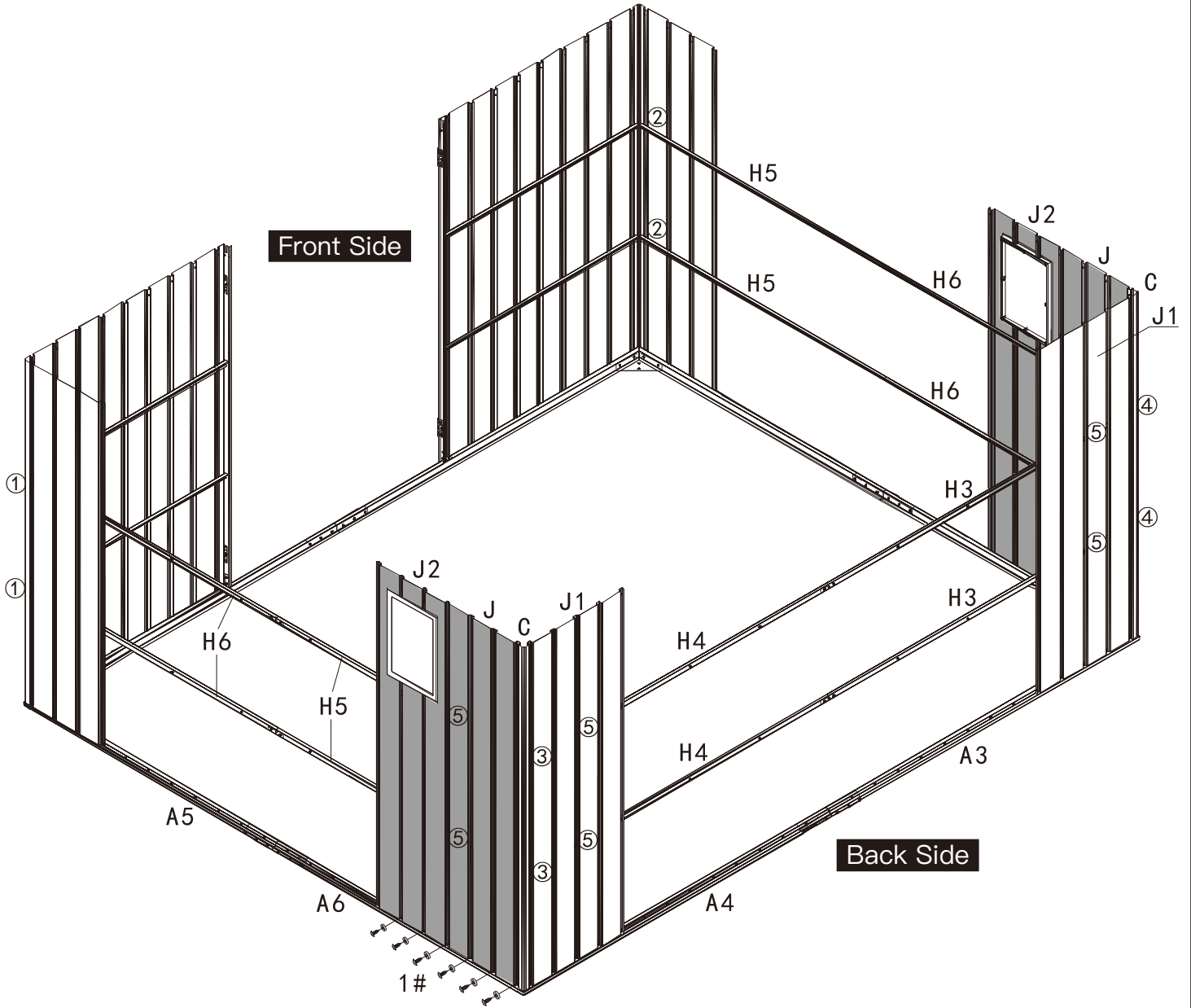
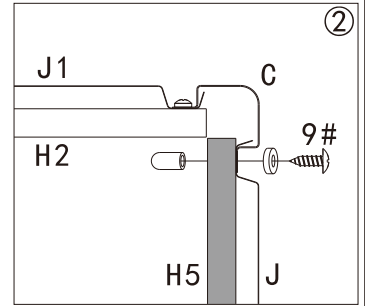
Insert part #N to the wall panel #J2 (from outside to inside), place transparent board #N2, use 8 bolts #13 to fix part #N1 & part #N (from inside to outside).

Repeat the above procedures to assemble another side window.

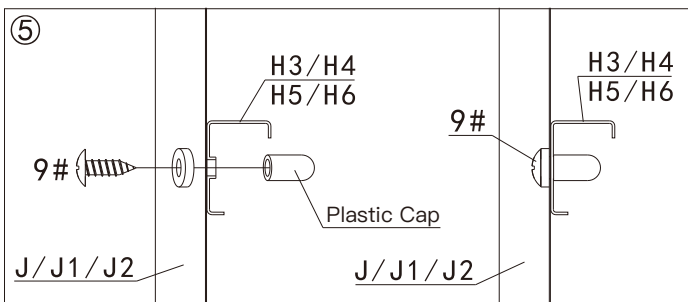


Place part #J2/J/C on the bottom frame #A6, using 6 bolts 1# and gaskets to fix.

①: Use 2 bolts 9# and gaskets to install 2 support tubes(H6+H5) to wall panel #J, then put on the plastic caps.



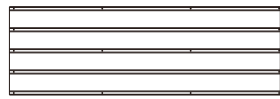
Side View



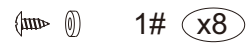
⑤: Use 2 bolts 9# and gaskets to install 2 support tubes(H6+H5) to wall panel #J2, then put on the plastic caps.

Repeat the above procedures to assemble another side.





J1 (x2)

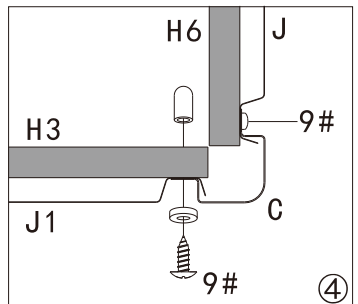
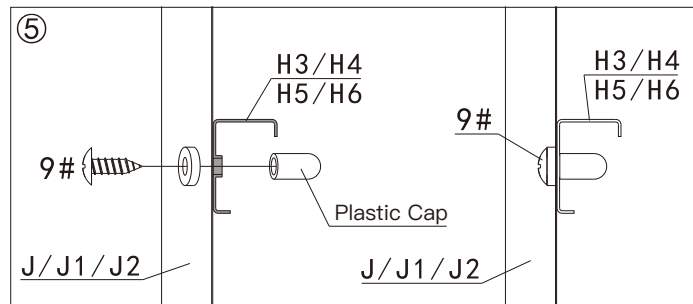
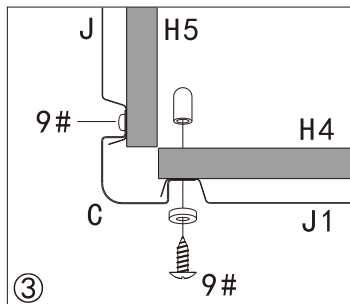
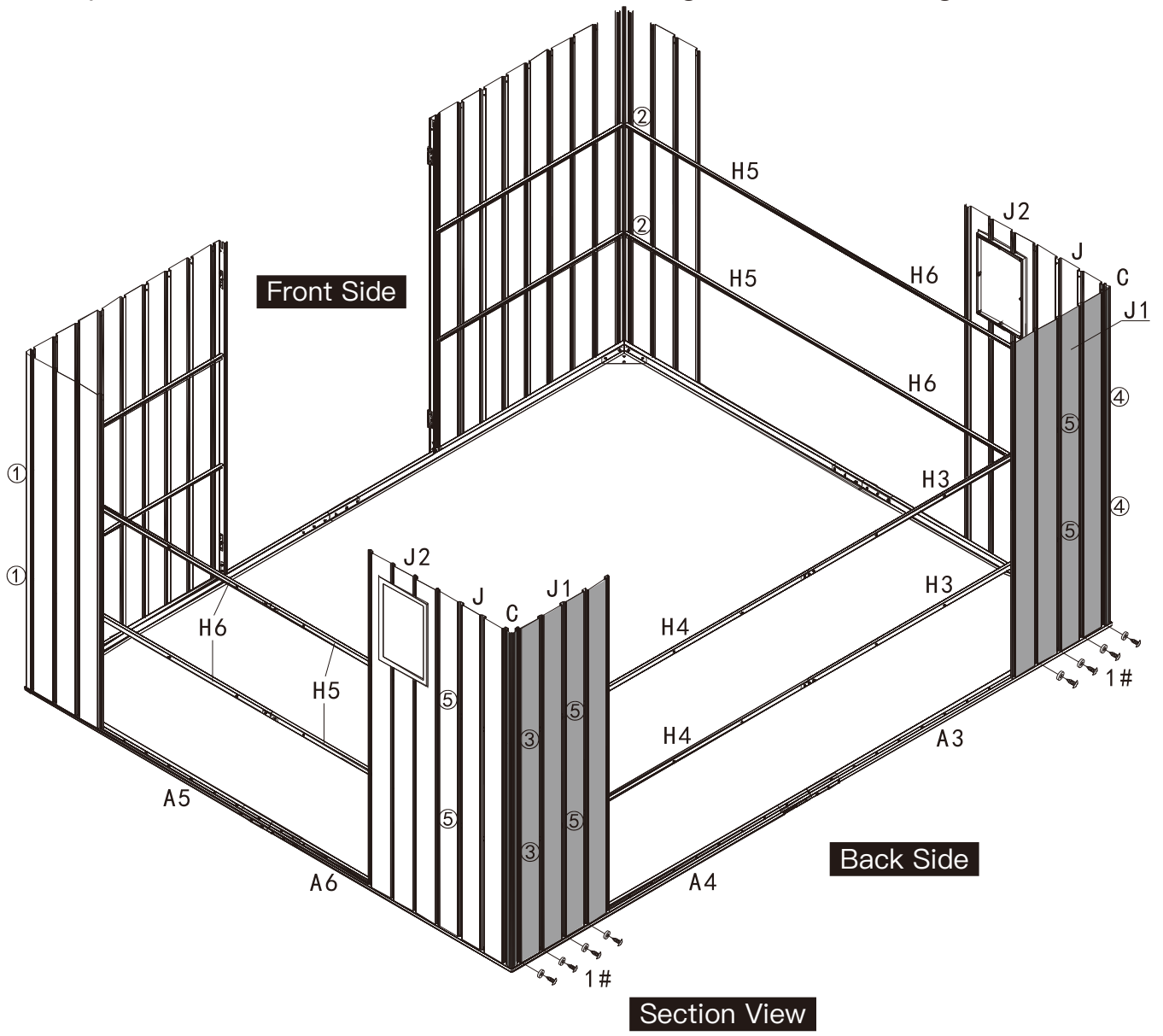


1# (x8)

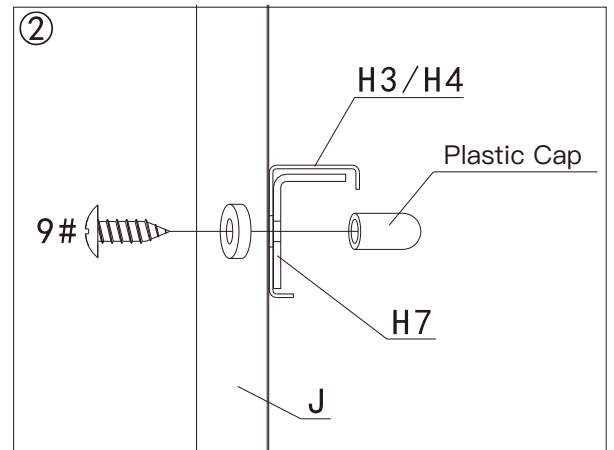
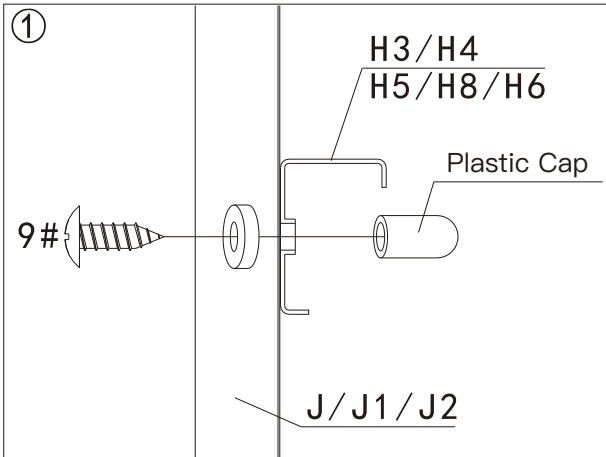
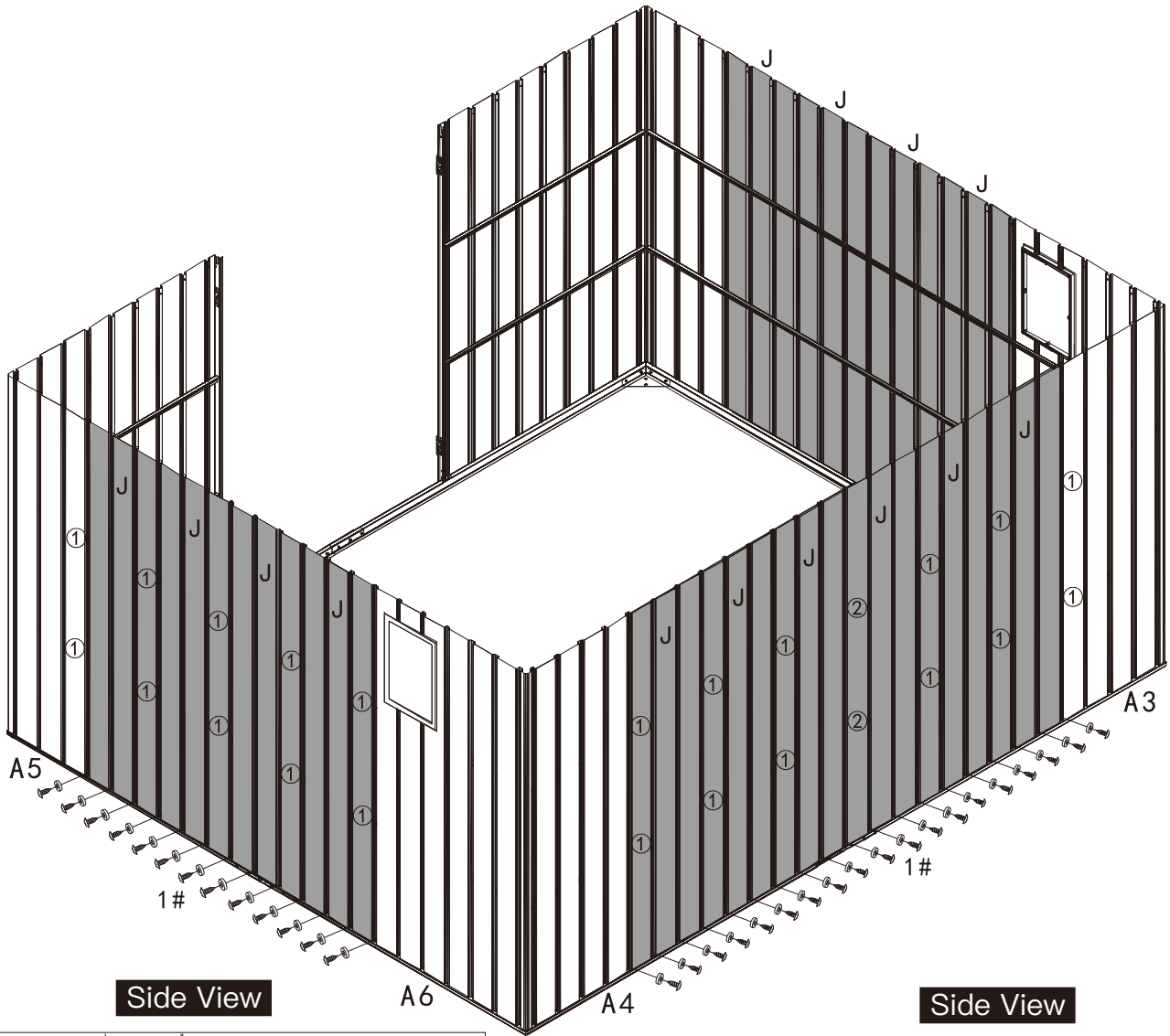


9# (x12)

Place part #J1 on the bottom frame #A4, using 4 bolts 1# and gaskets to fix.  
Place part #J1 on the bottom frame #A3, using 4 bolts 1# and gaskets to fix.



- ③: Use 4 bolts 9# and gaskets to install 2 support tubes(H6+H5) & 2 support tubes(H4+H3) to part #C, then put on the plastic caps.
- ⑤: Use 4 bolts 9# and gaskets to install 2 support tubes(H4+H3) to 2 wall panel #J1, then put on the plastic caps.
- ④: Use 4 bolts 9# and gaskets to install 2 support tubes(H4+H3) & 2 support tubes (H6+H5) to part #C, then put on the plastic caps.



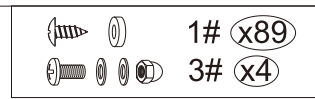
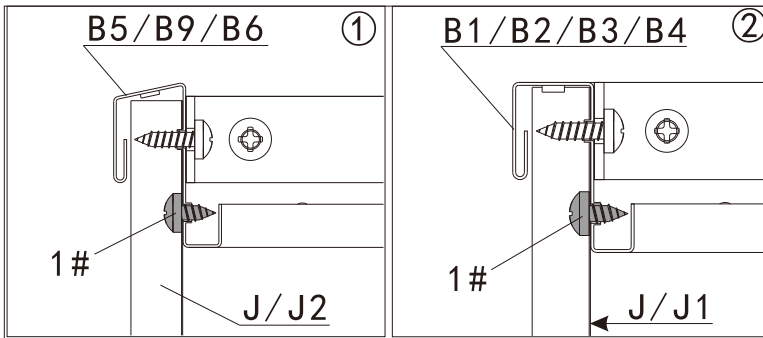
Use 13 bolts 1# and gaskets to fix 4 part #J on the bottom frame(A5 & A6).

①: Use 10 bolts 9# and gaskets to fix 4 part #J with 2 support tubes(H5+H6) , then put on the plastic caps to form a whole side wall.

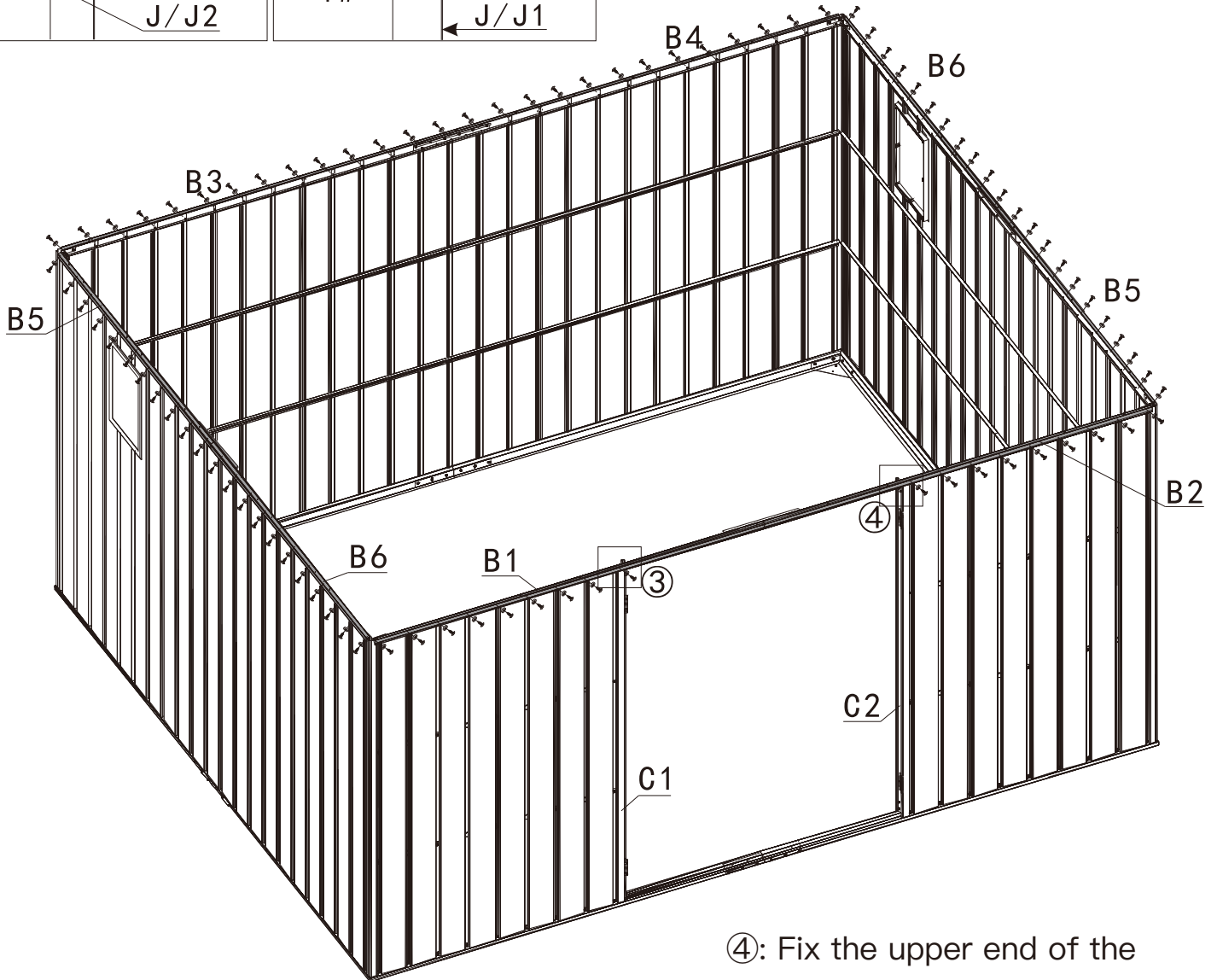
**Repeat the above procedures to assemble another side wall.**

Use 19 bolts 1# and gaskets to fix 6 part #J on the bottom frame(A4 & A3).

①/②: Use 14 bolts 9# and gaskets to fix 6 part #J with 2 part#(H3+H4), then put on the plastic caps to form a whole back wall.

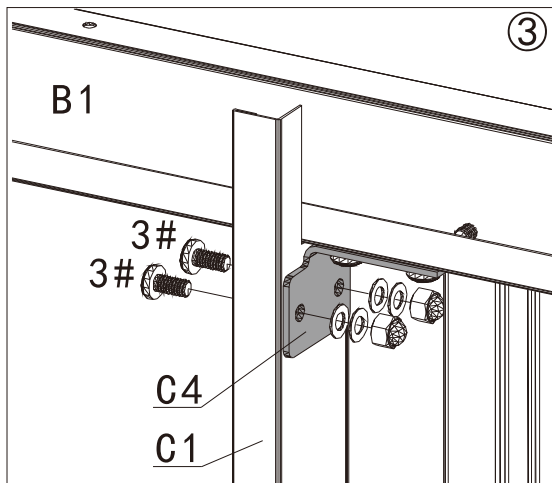


①/②: Place the assembled frame on the upper end of the wall panel, and fix with 89 bolts 1# and gaskets.

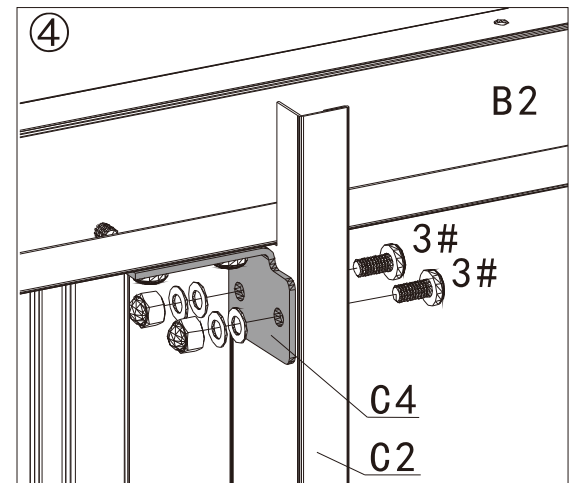


③: Fix the upper end of the part#C1 with part #C4(already assembled on part#B1) by using bolts 3#, the gaskets and nuts are on the back side.

④: Fix the upper end of the part#C2 with part #C4 (already assembled on part#B2) by using bolts 3#, the gaskets and nuts are on the back side.



Inside View

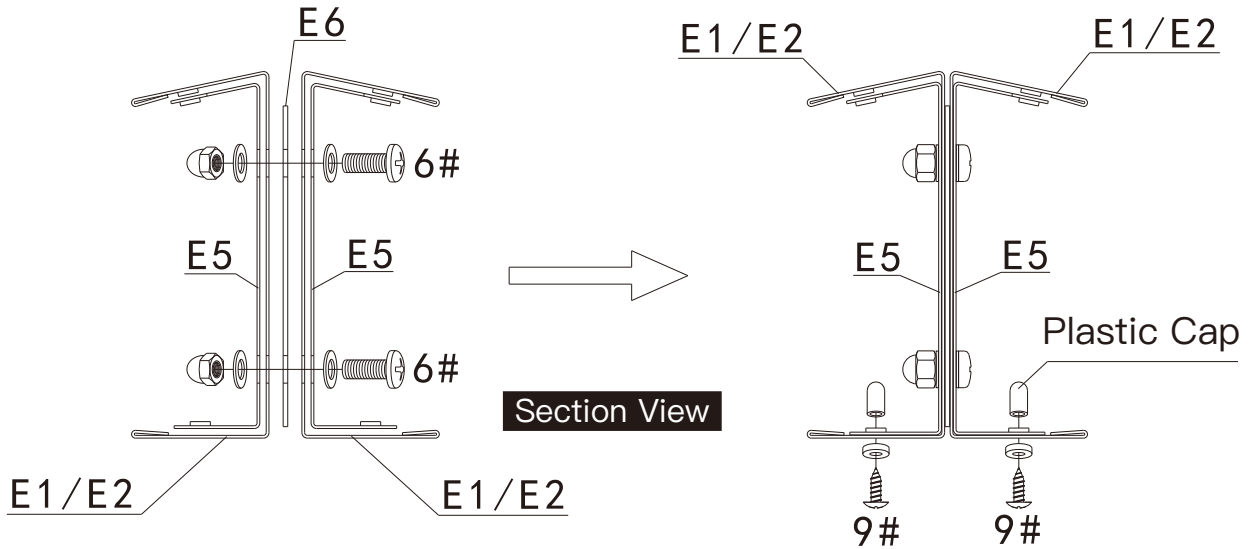
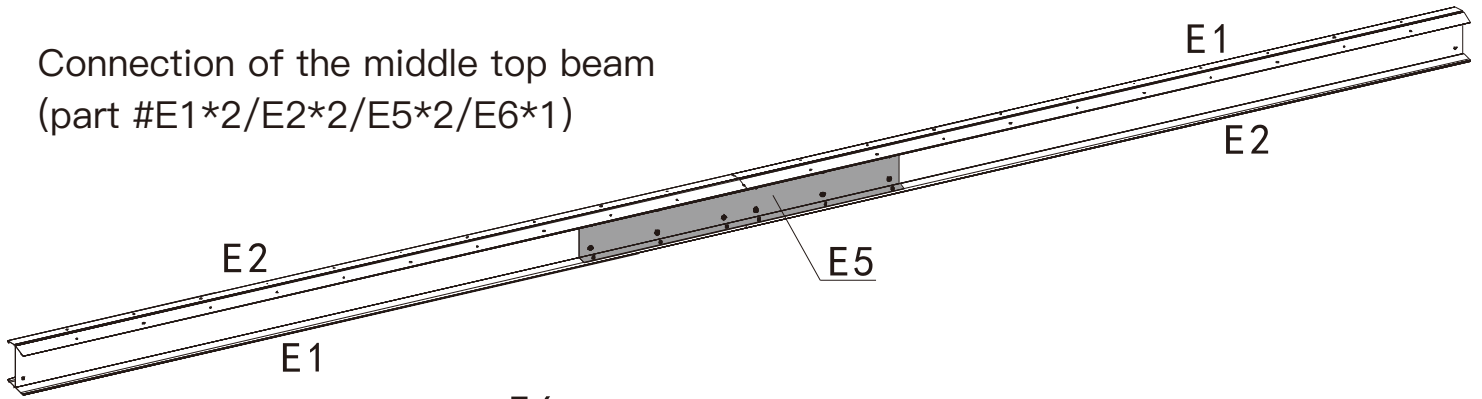


- 1 E1(x2)
- 1 E3(x2)
- 1 E5(x4)

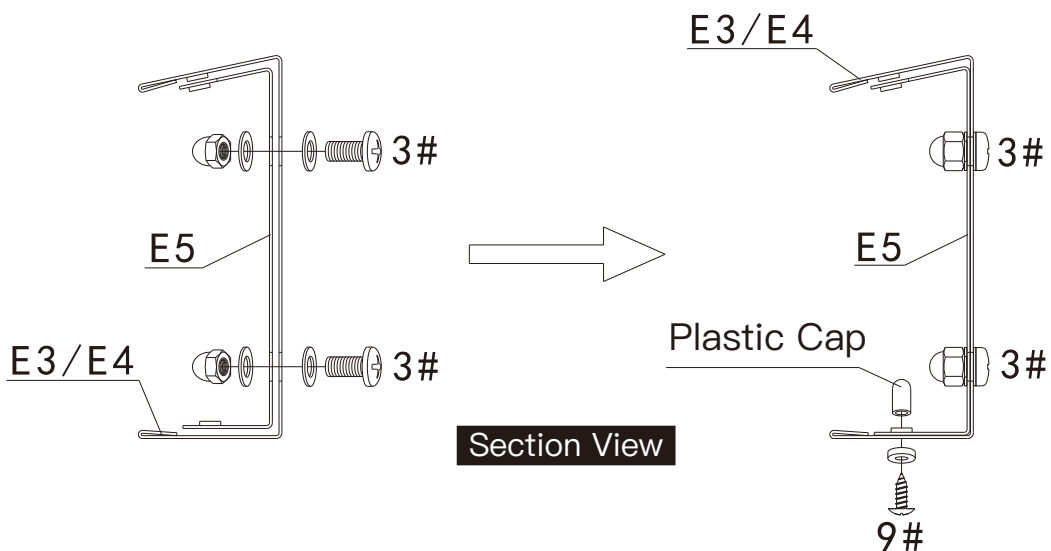
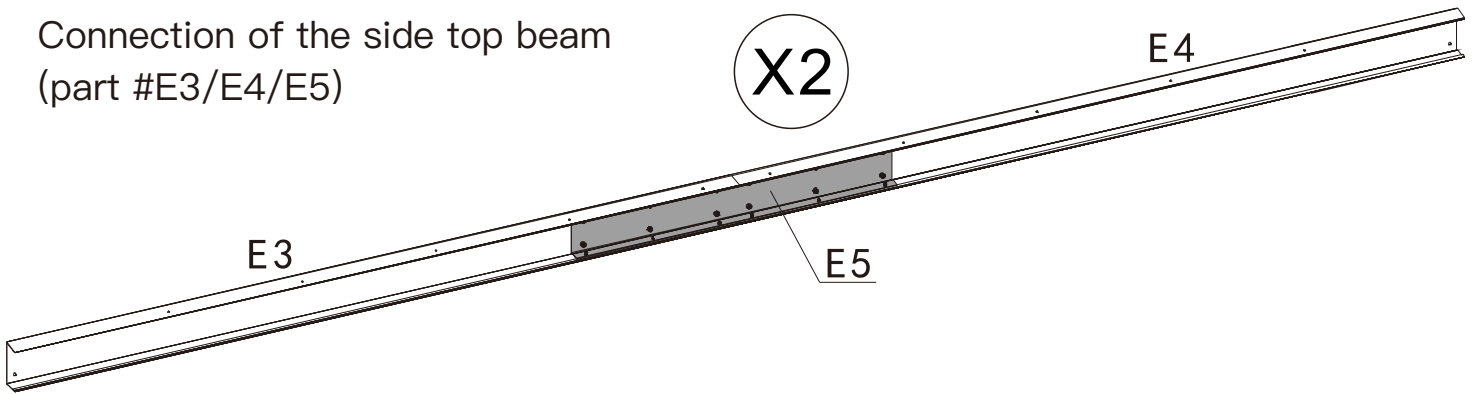
- 1 E2(x2)
- 1 E4(x2)
- 1 E6(x1)

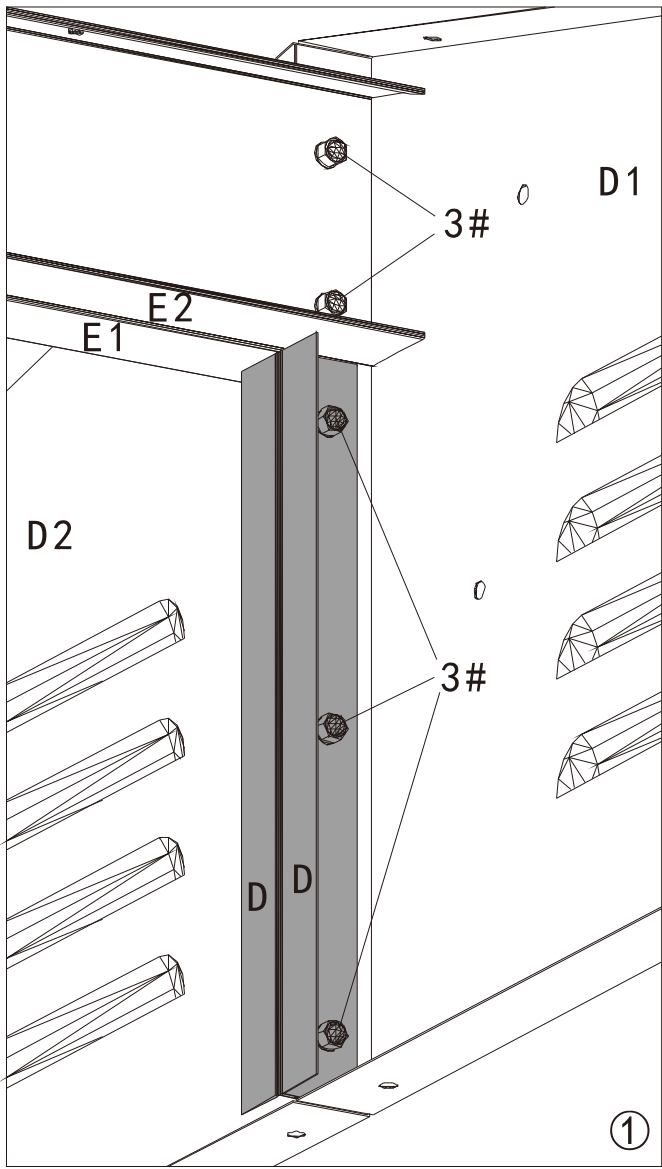
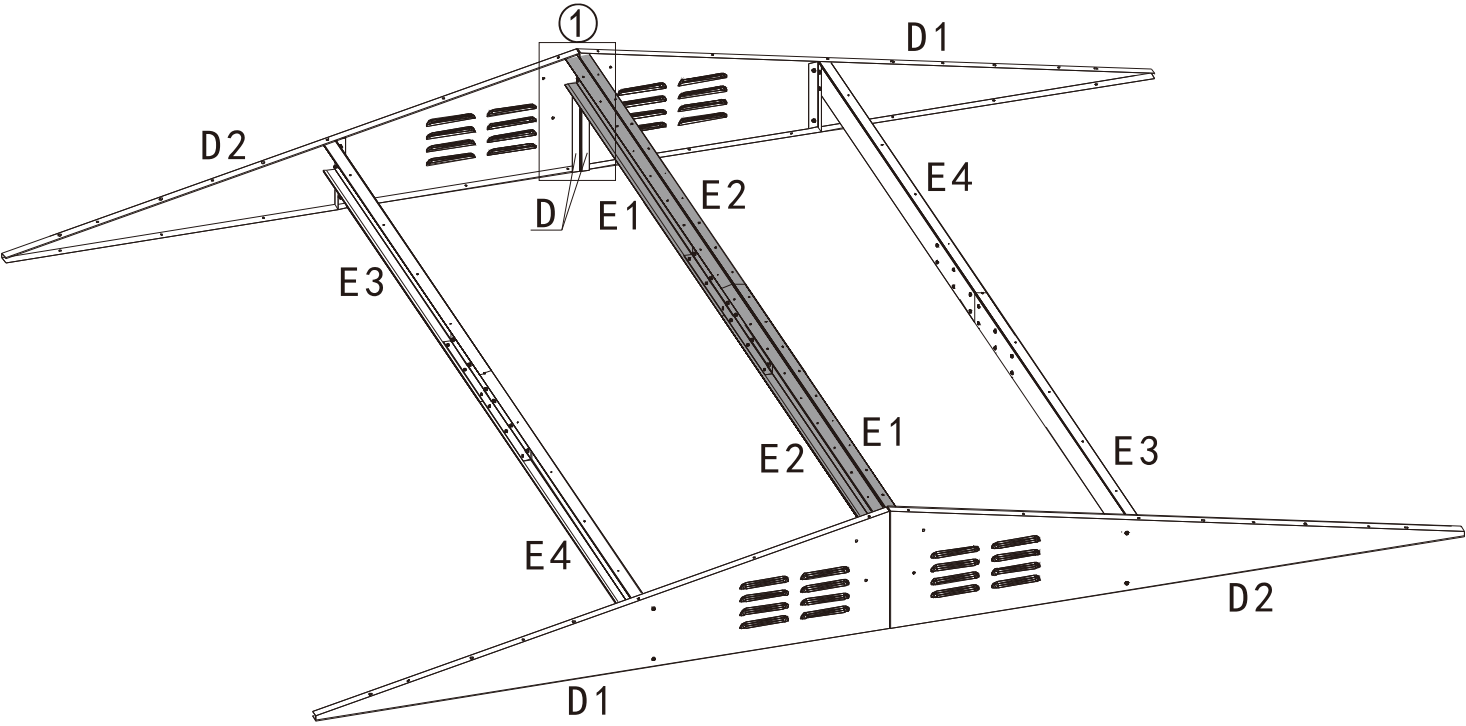
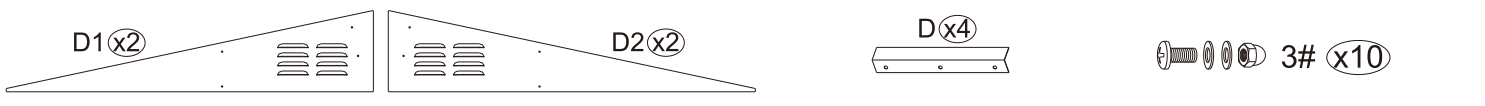
- 9#(x24)
- 3#(x24)
- 6#(x12)

Connection of the middle top beam  
(part #E1\*2/E2\*2/E5\*2/E6\*1)



Connection of the side top beam  
(part #E3/E4/E5)



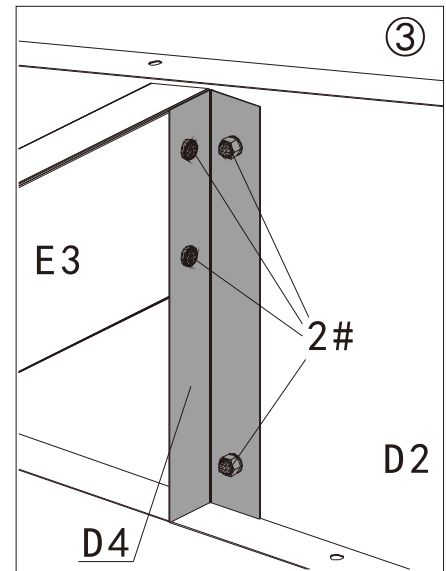
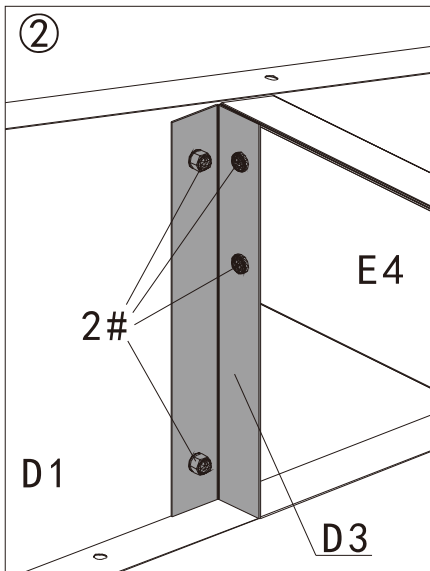
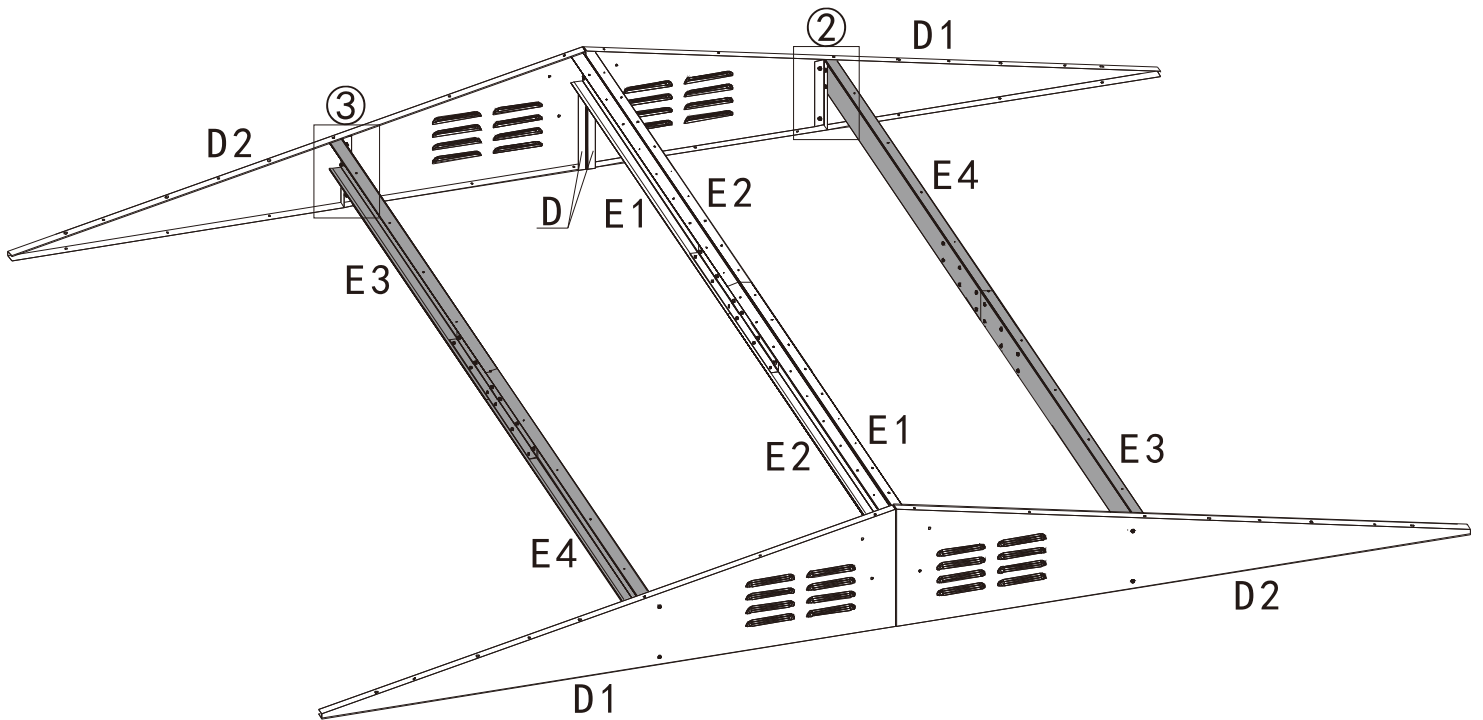
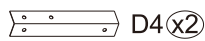


**Top Beam Assembly**

①: Splice part#D1 & #D2, clamp the 2 sides with part #D; Use 3 bolts 3# (including 1 bolt ,2 gaskets and 1 nuts) to fix 2 part #D to part #D1 & #D2;

Clamp the two sides with part#E1/E2, and tighten with 2 bolts 3#, gaskets nuts.

Repeat the above procedures to assemble another side.

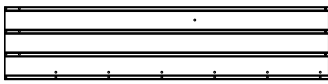


②: Use 4 bolts 2#(including 1 bolt,1 gaskets and 1 nuts) to fix part #D3 with part #E4 & #D1.

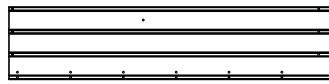
③: Use 4 bolts 2#(including 1 bolt,1 gaskets and 1 nuts) to fix part #D4 with part #E3 & #D2.

Repeat the above procedures to assemble another side.





K1(x2)



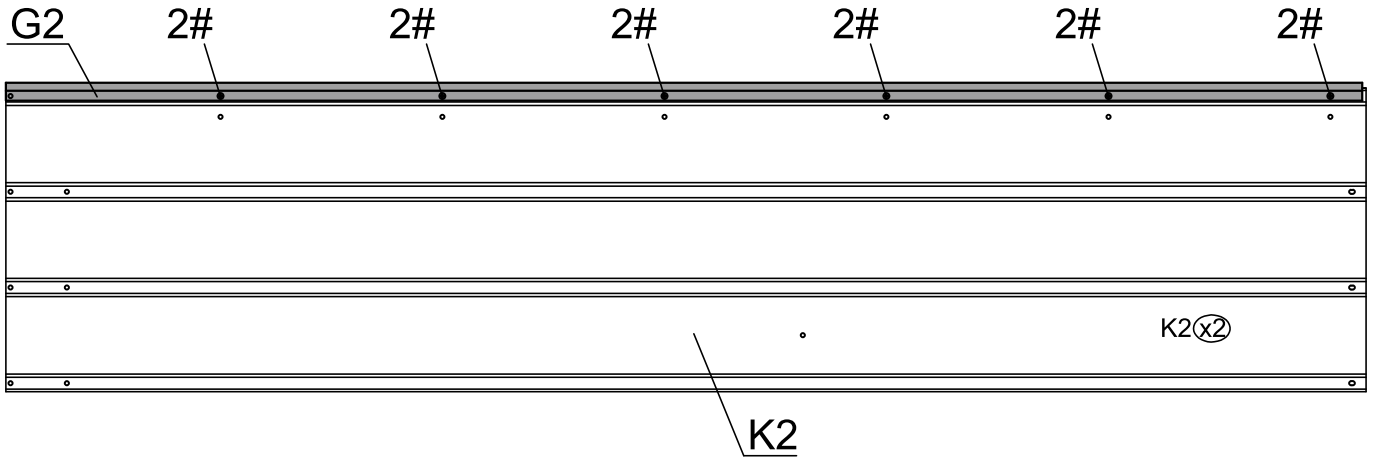
K2(x2)

G2(x2)

G1(x2)

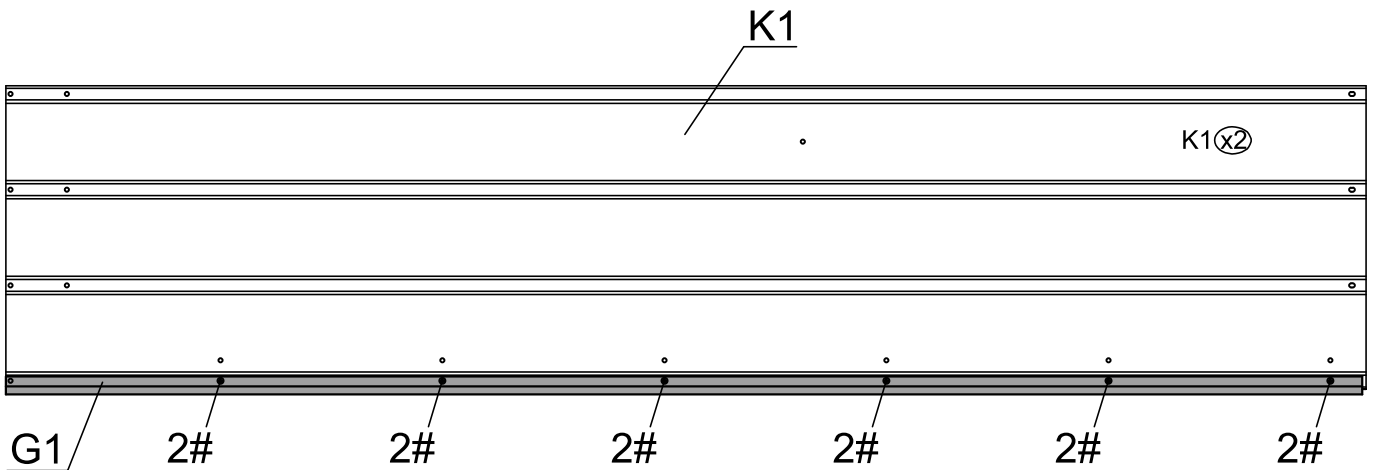
2# (x24)

Assemble part #G2 to the one side of part #K2 with 6 bolts 2# gaskets and nuts.

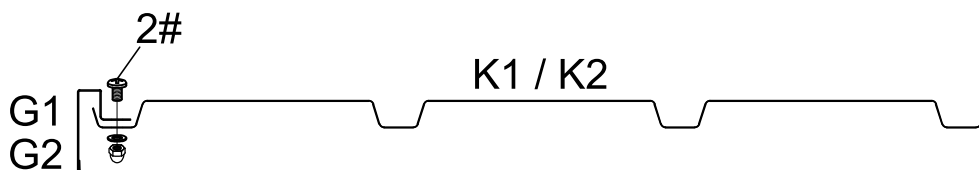


X2

Assemble part #G1 to the one side of part #K1 with 6 bolts 2# gaskets and nuts.

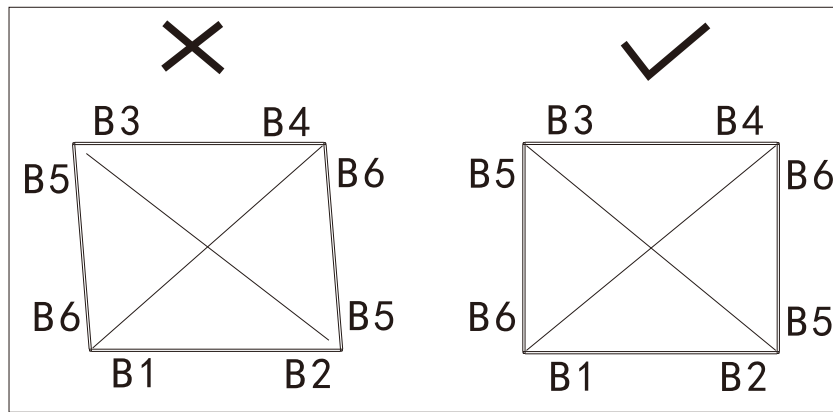


X2

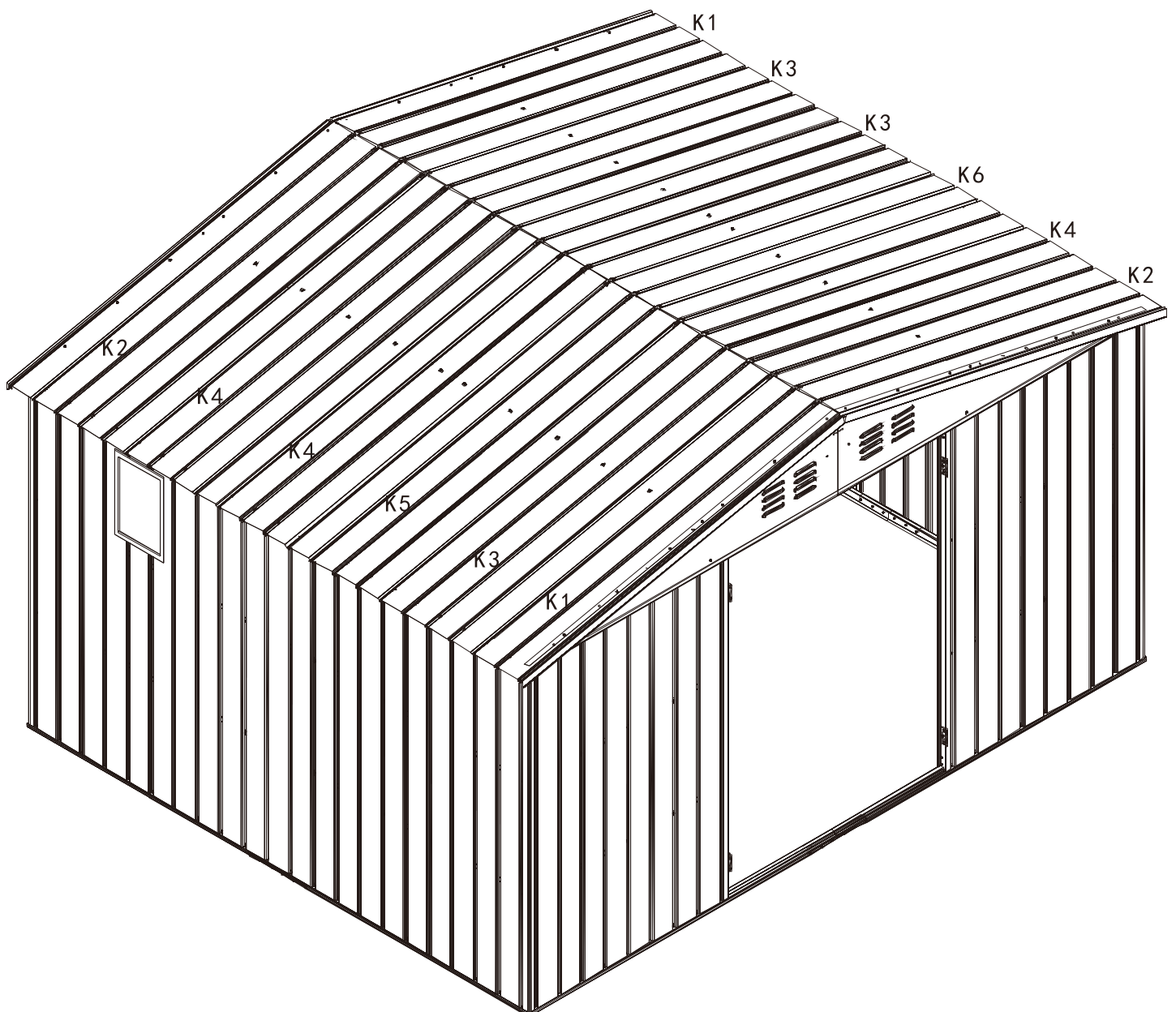


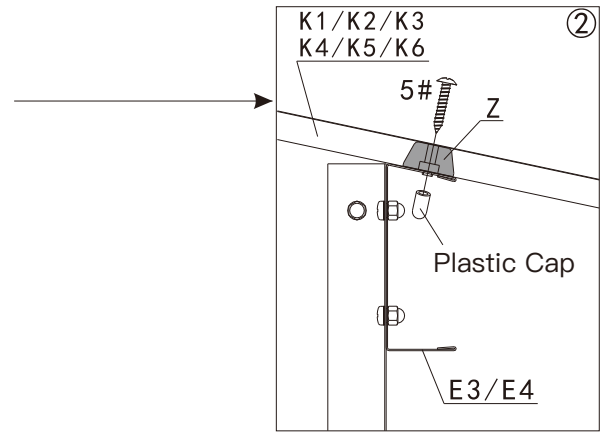
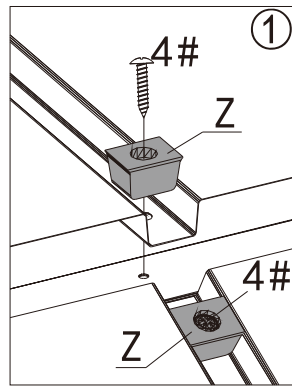
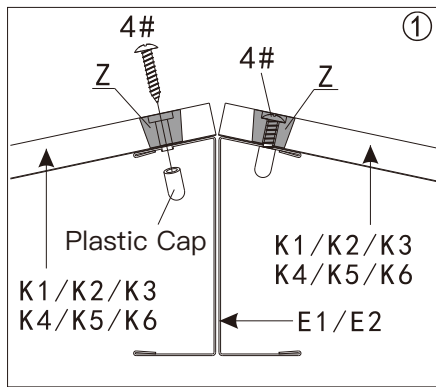
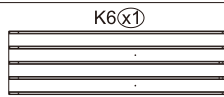
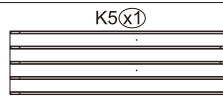
Section View





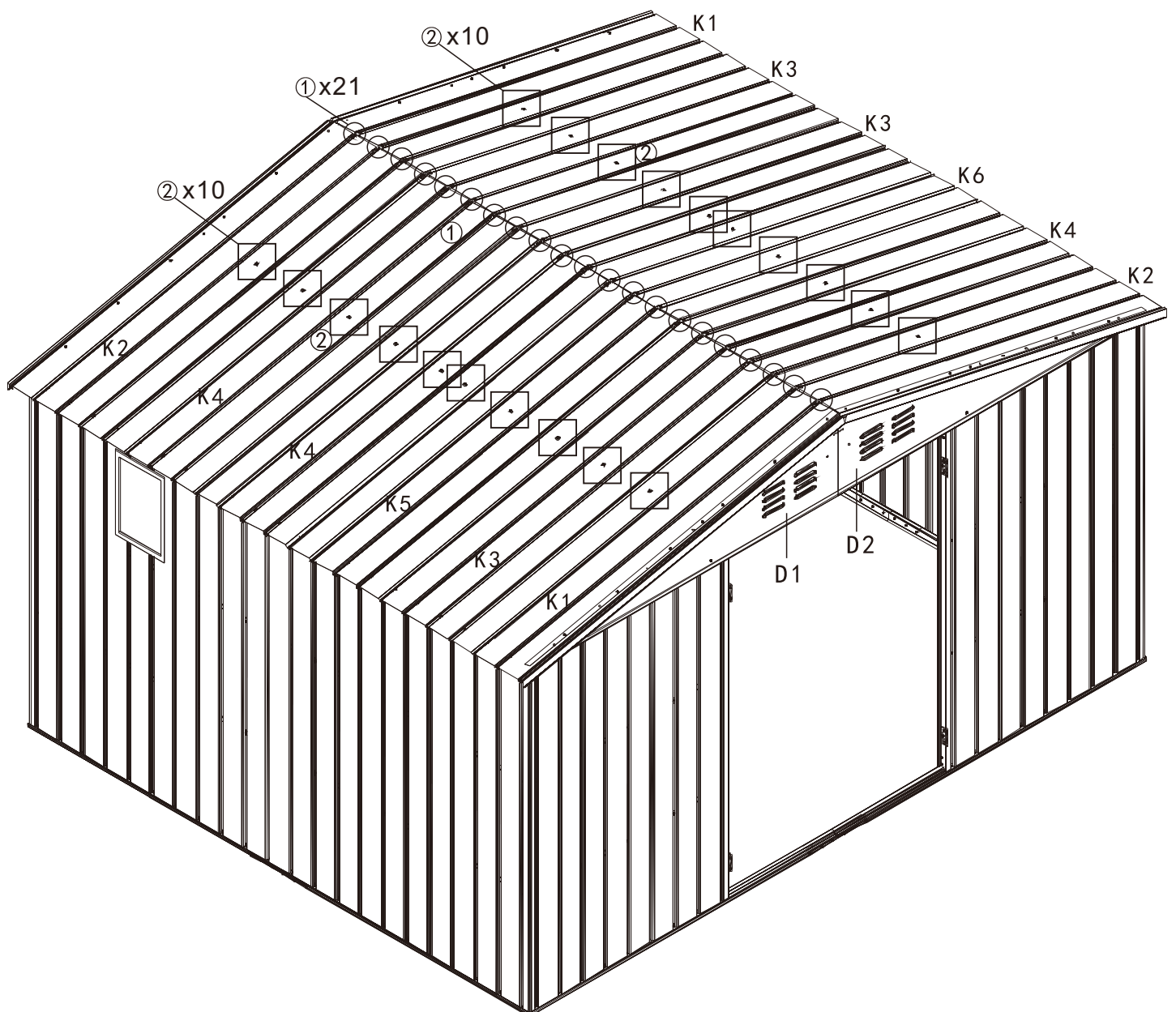
Attention: The top plate can be installed in order or reverse order. If there is a deviation between the top plate and the top frame installation hole, it is generally caused by the diagonal size deviation of the frame beam. The diagonal distance of the frame beam can be measured and adjusted.

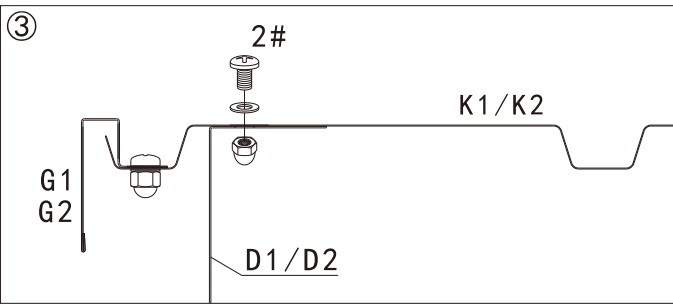
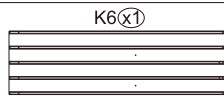




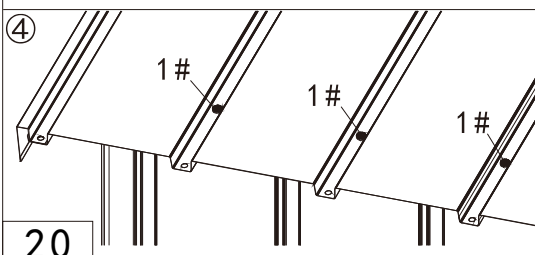
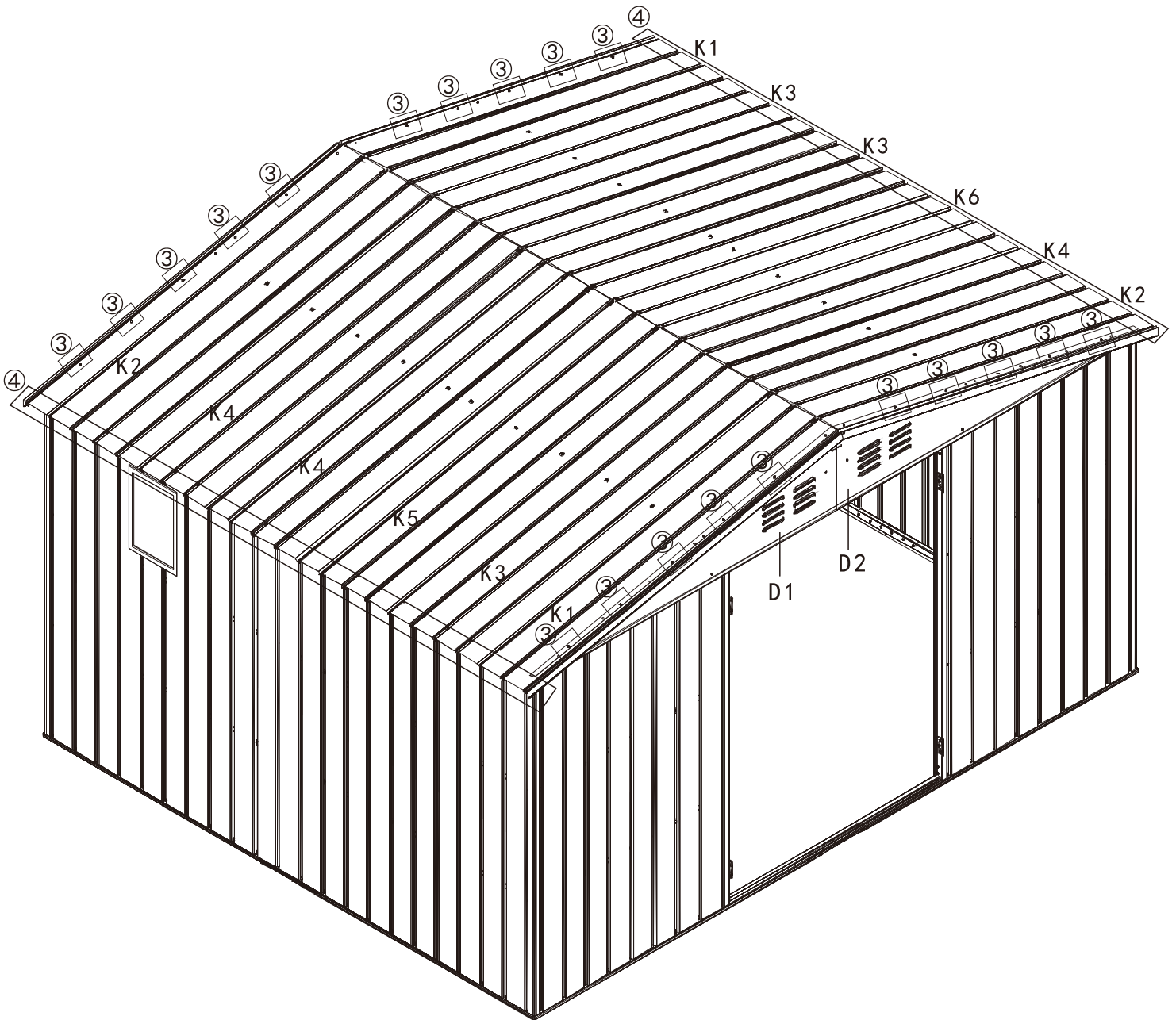
①: Secure the roof panel to the main top beam with 42 self-tapping bolts 4# and part #Z.

②: Part #Z shall be inserted at the gap between roof panels and side top beam, then fix with 20 self-tapping bolts #5 and caps to prevent rainwater intrusion.

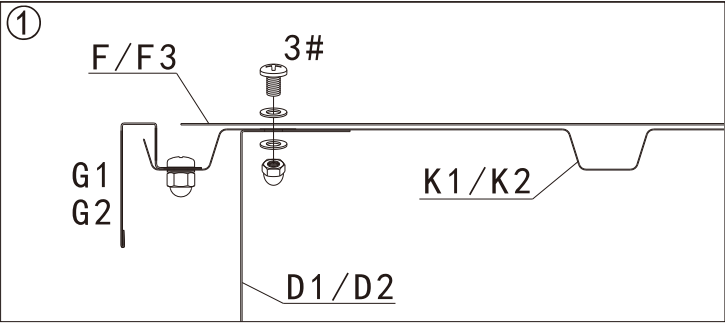
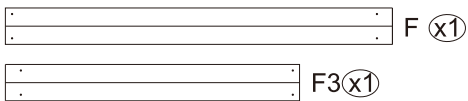




③: The roof panel K1/K2 is fixed with top frame D1/D2 by using 20 bolts 2#, gaskets and nuts.

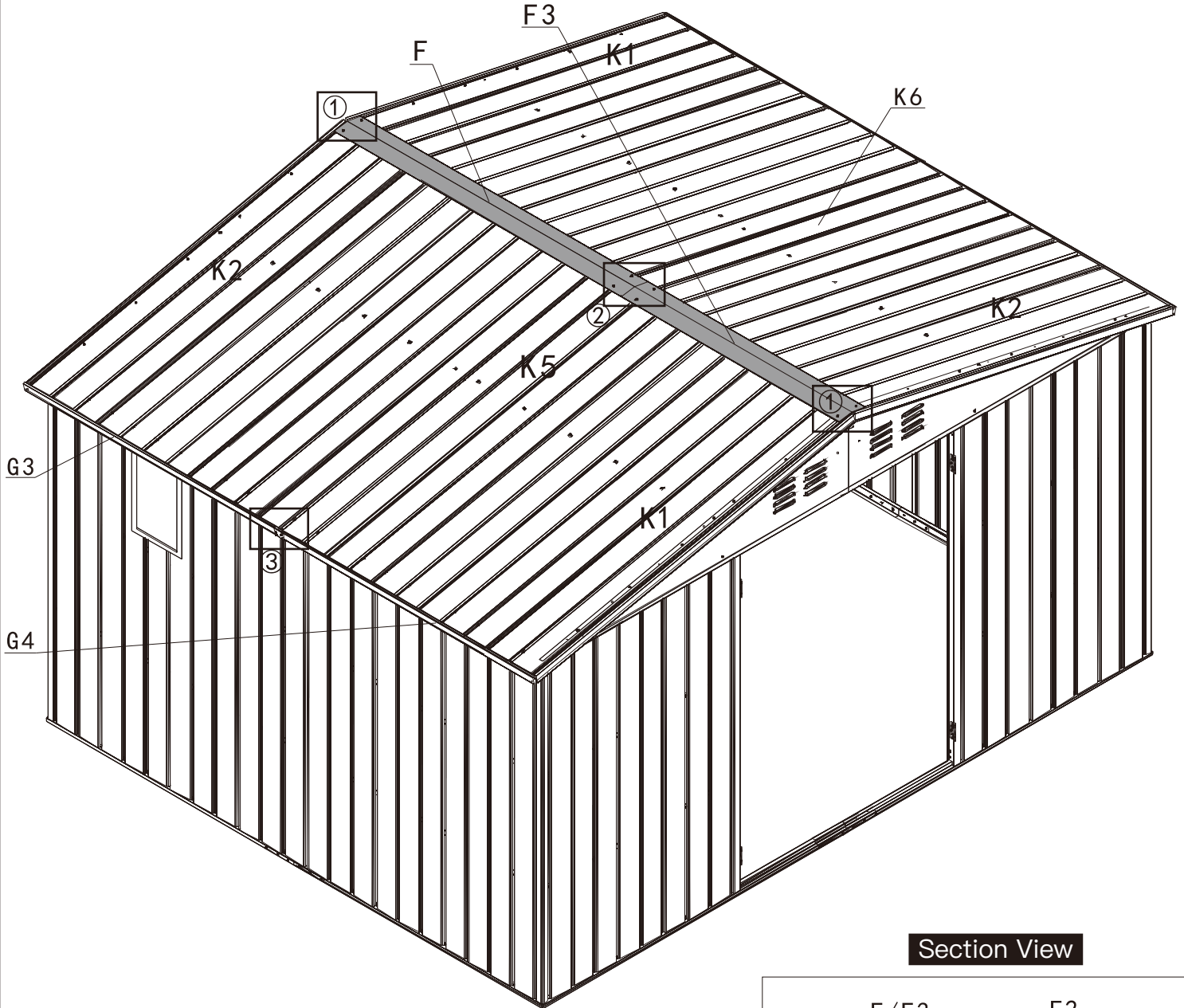


④: The roof panel is fixed to the side top frame (B5,B6) by using 42 self-tapping bolts #1 and gaskets.

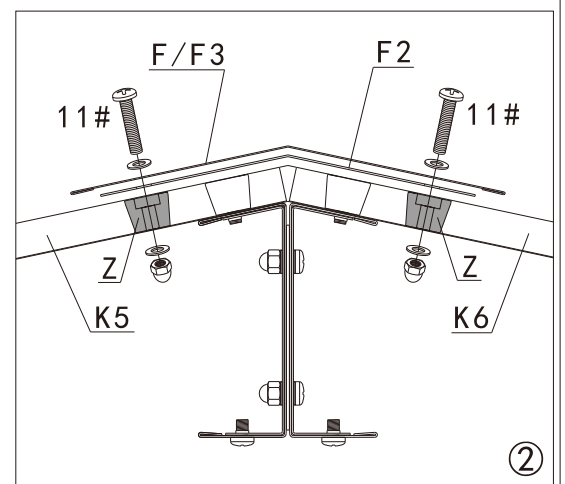


①: Use 2 bolts 3#, 4 gaskets and 2 nuts to fix part #F with part #K1/K2 and part #D1/D2.

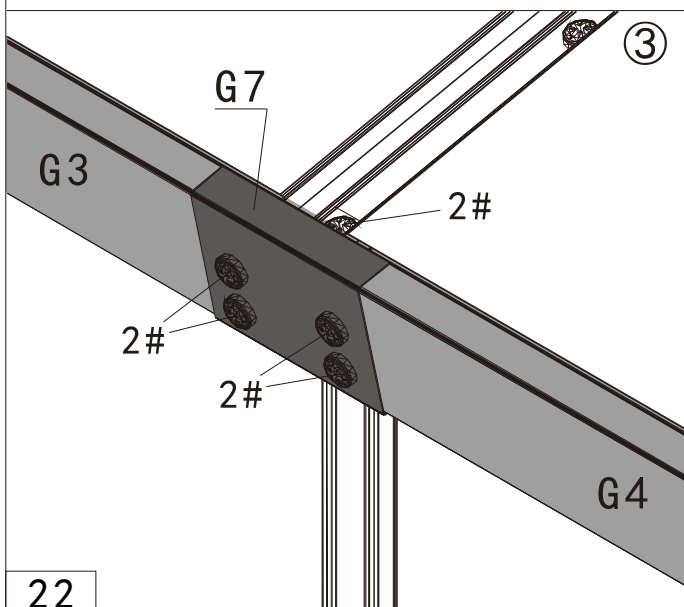
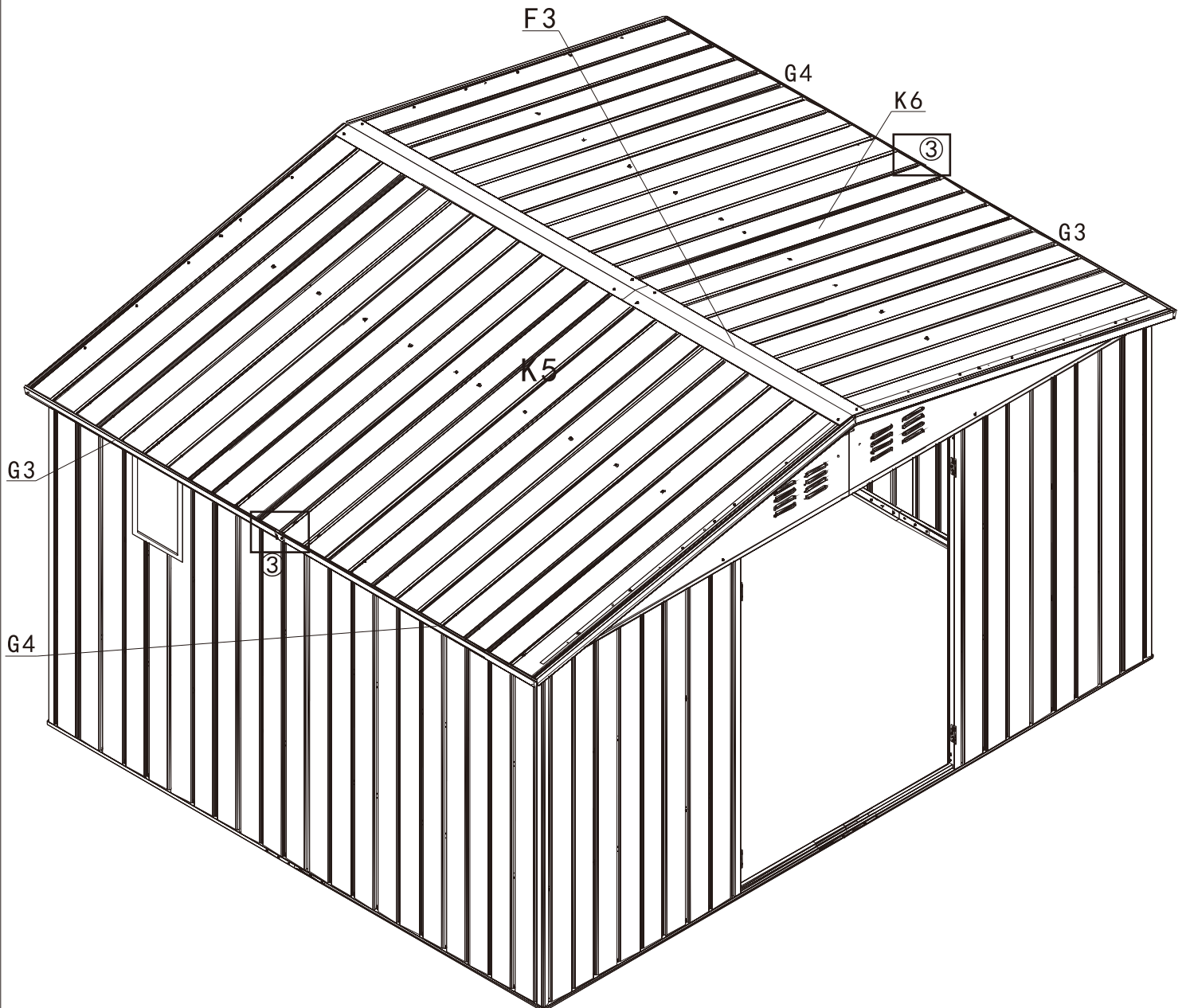
Use 2 bolts 3#, 4 gaskets and 2 nuts to fix part #F3 with part #K1/K2 and part #D1/D2.



Section View



②: Insert part #Z into the roof panel groove, use 4 bolts 11#, 8 gaskets and 4 nuts to fix part #F2 and part #F/#F3 to the roof top. (part #F/#F3 should cover on part#F2).

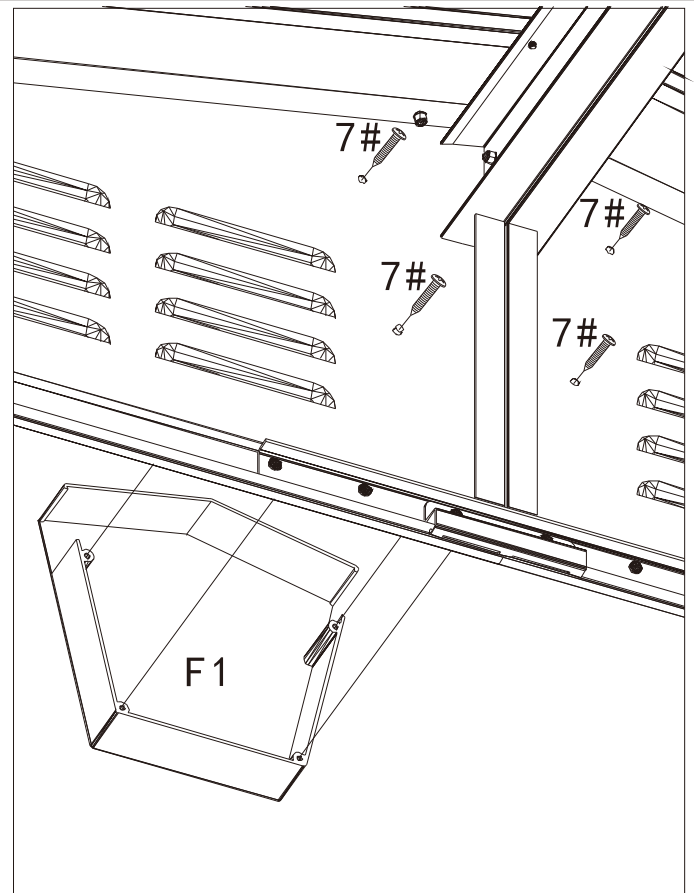
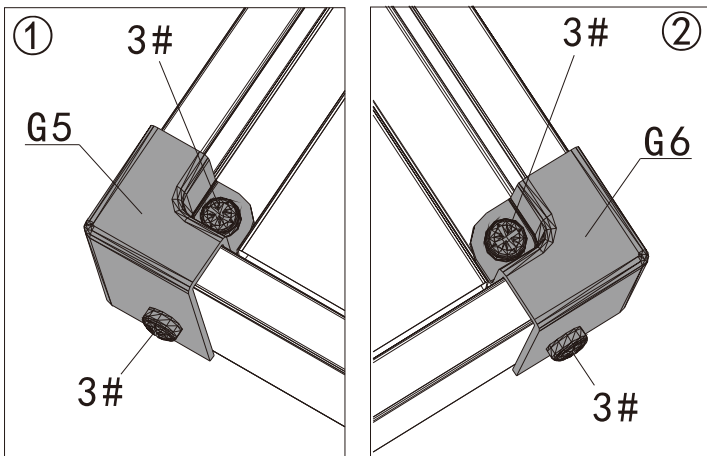


③:

Step.1: Use 21 bolts 2# gaskets and nuts to fix part #G3 and #G4 on the cornice of roof panel.

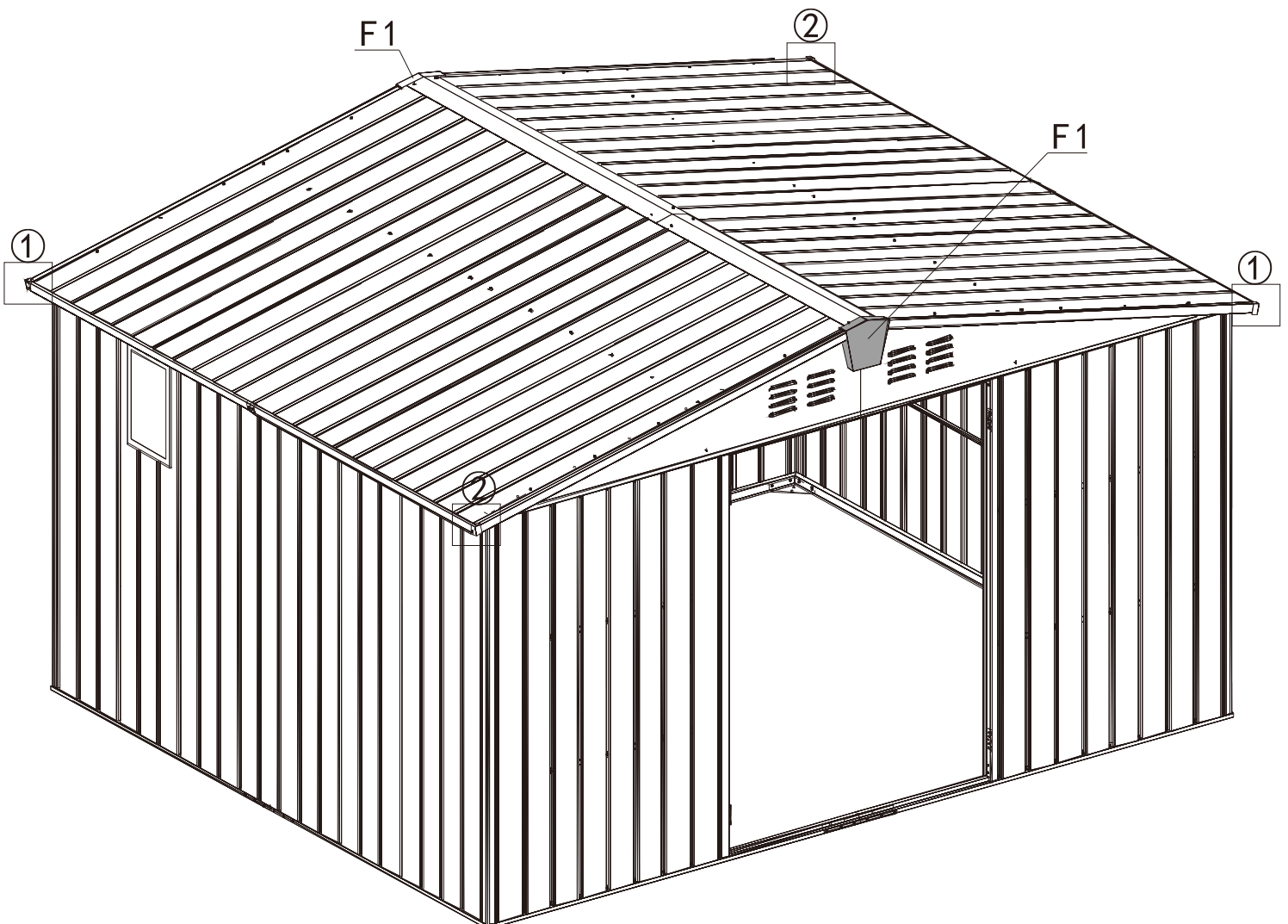
Step.2: Use 4 bolts 2#, gaskets and nuts to cover part #G7 on the connection of part #G3 & #G4.

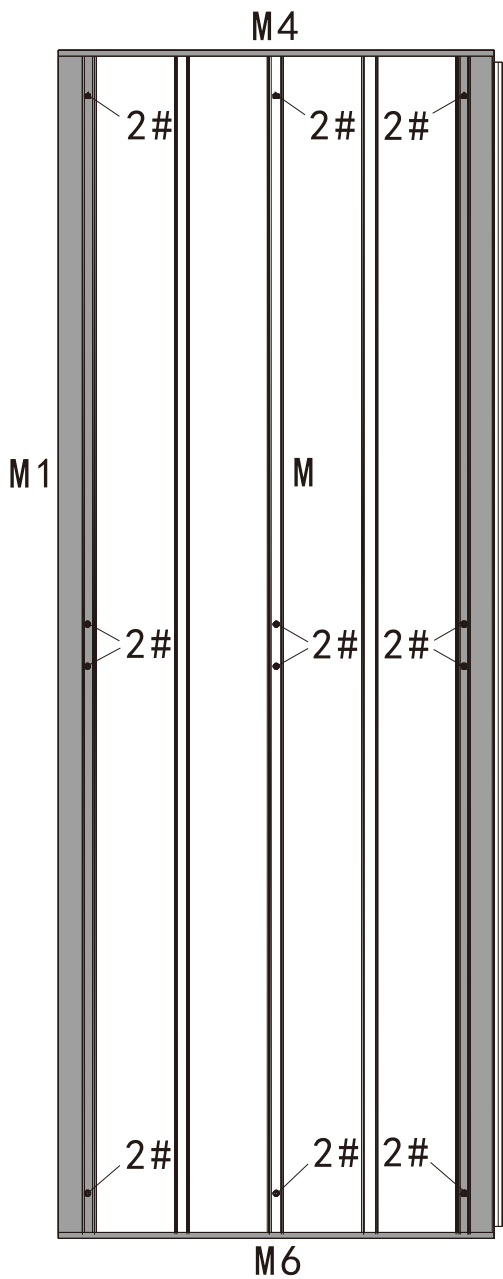
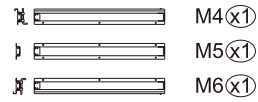
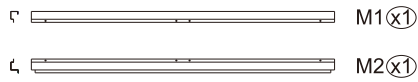
Repeat the above producers to assemble another side.



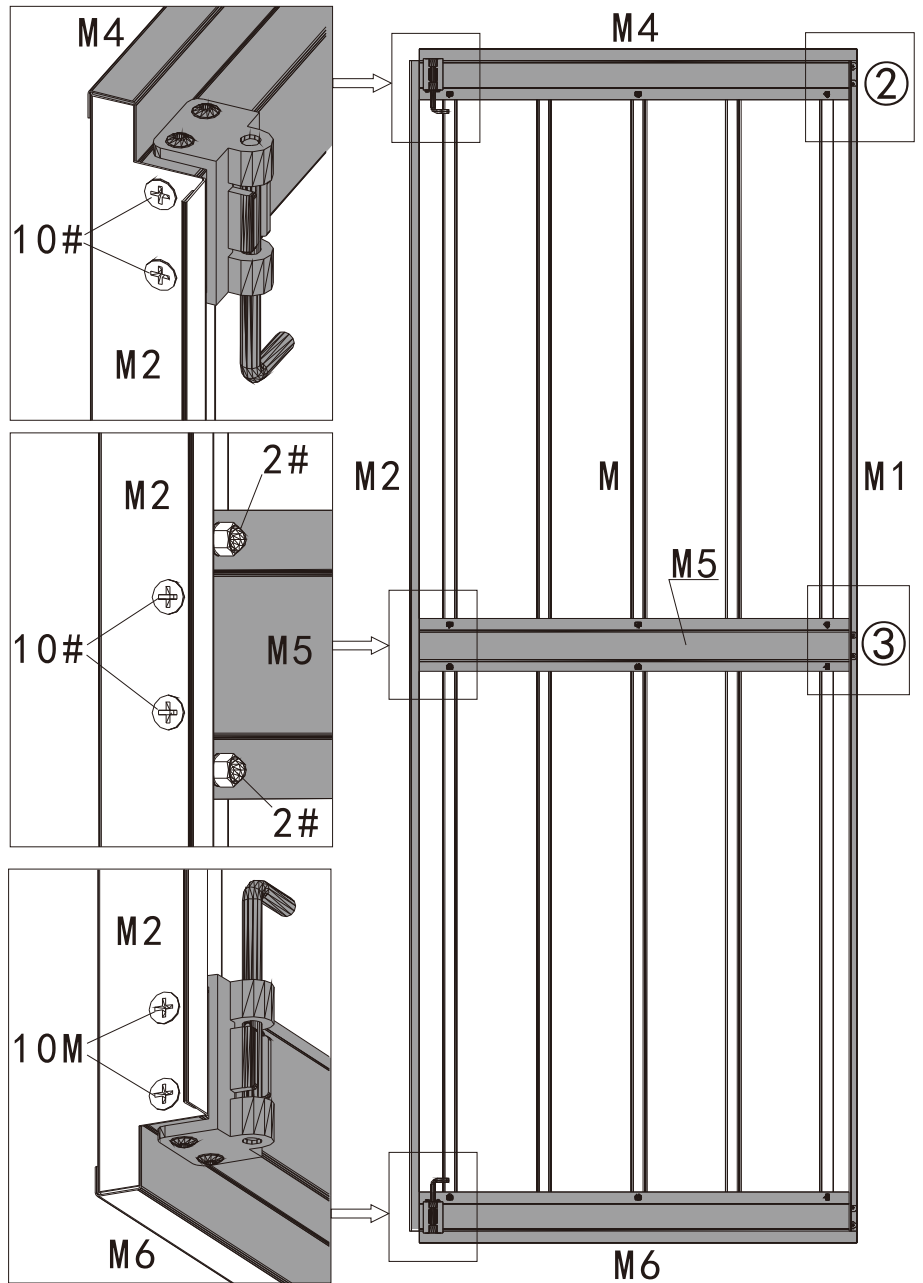
①/②: Install part #G5/G6 to 4 corners of the roof, fix with 8 bolts #3, 16 gaskets and 8 nuts.

③: Use 4 bolts 7# to install part #F1 from inside. Repeat the above procedure to assemble another side.

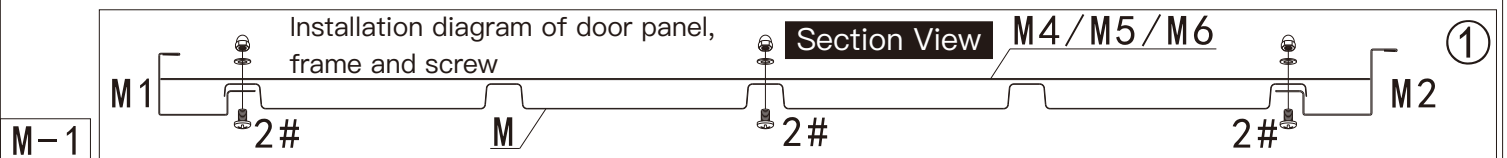
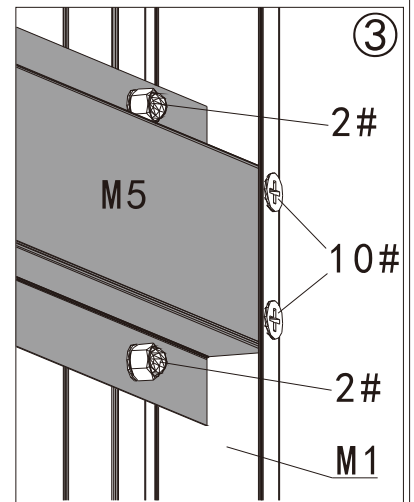
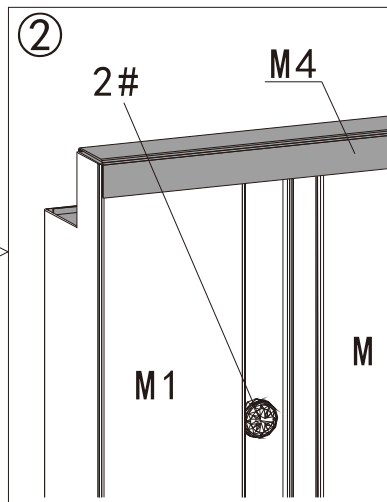
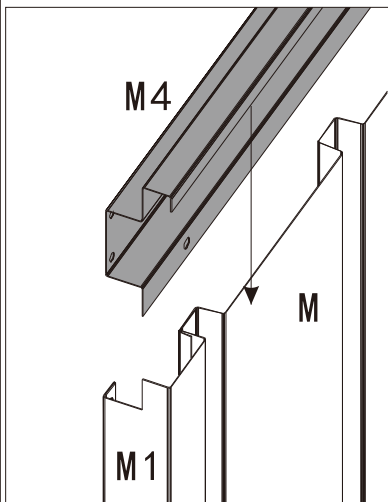




The front side of left door

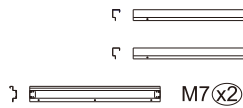


The back side of left door

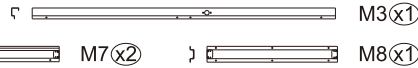




M (x1)



M1 (x1)



M3 (x1)



M7 (x2)



M8 (x1)

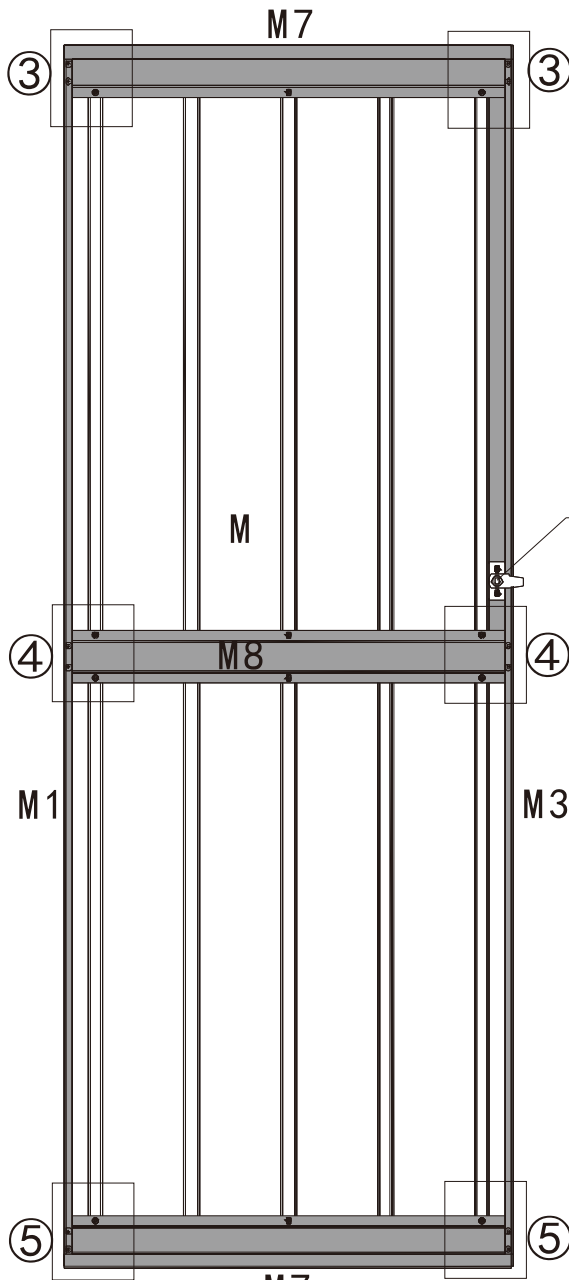
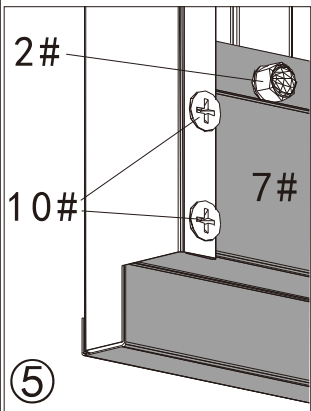
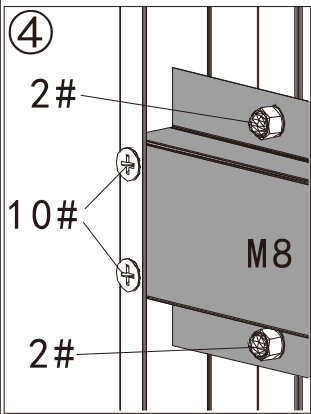
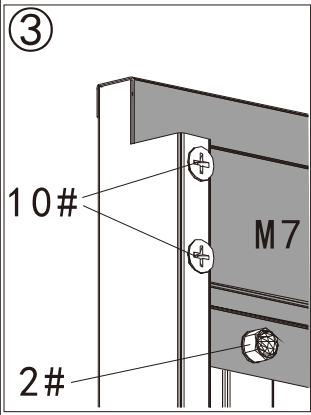
M9 (x1)

M10 (x1)

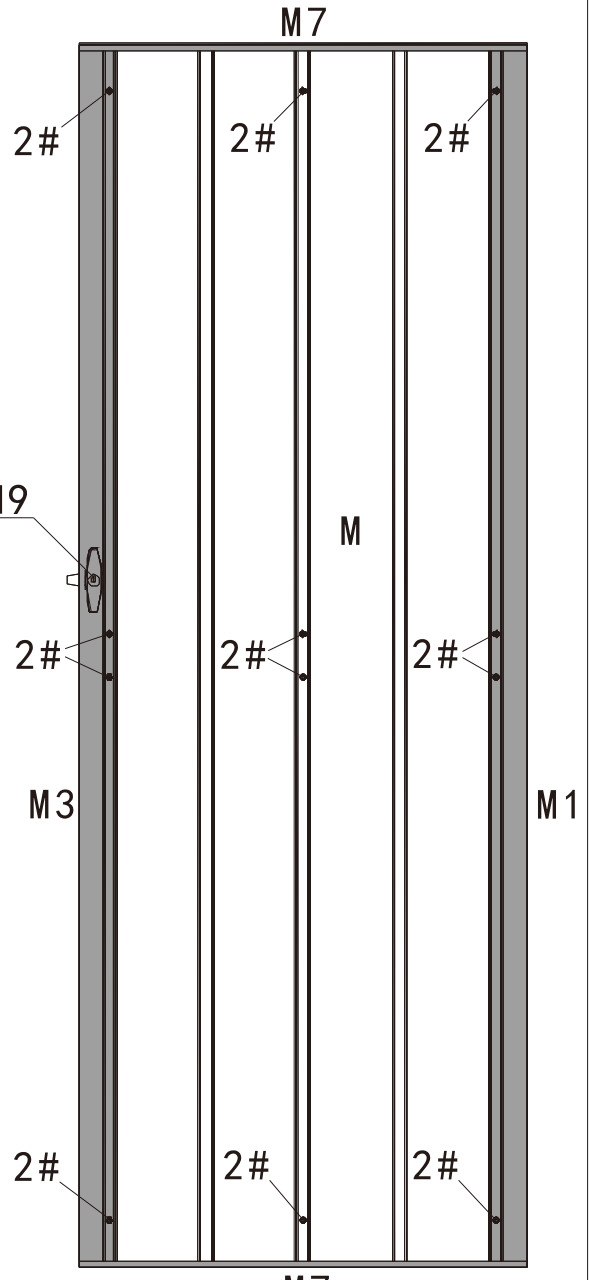
2# (x12)



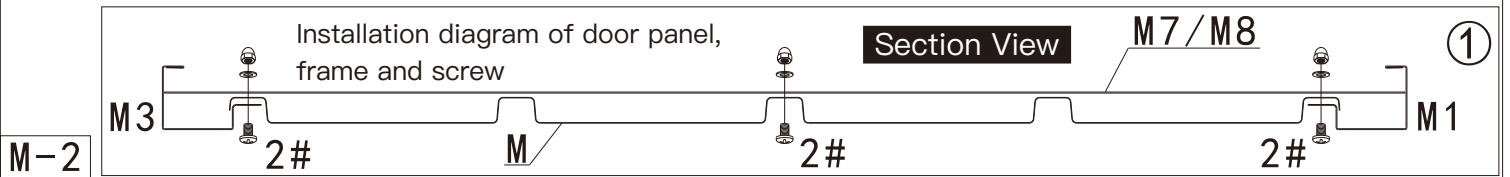
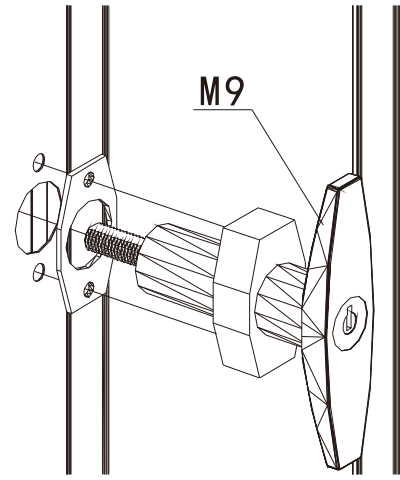
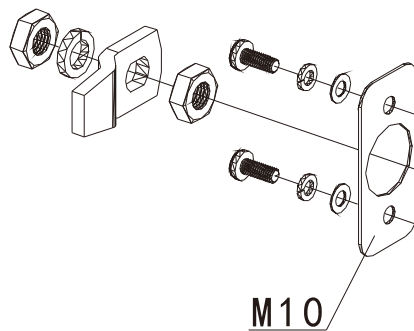
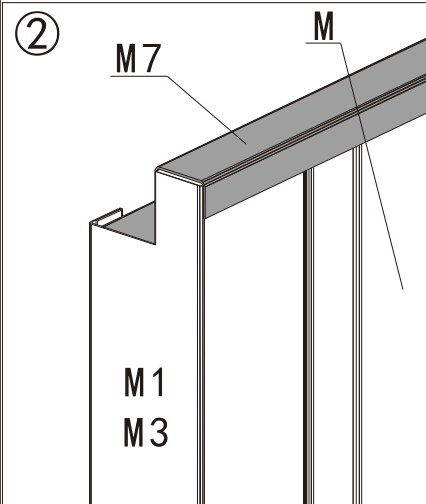
10# (x12)



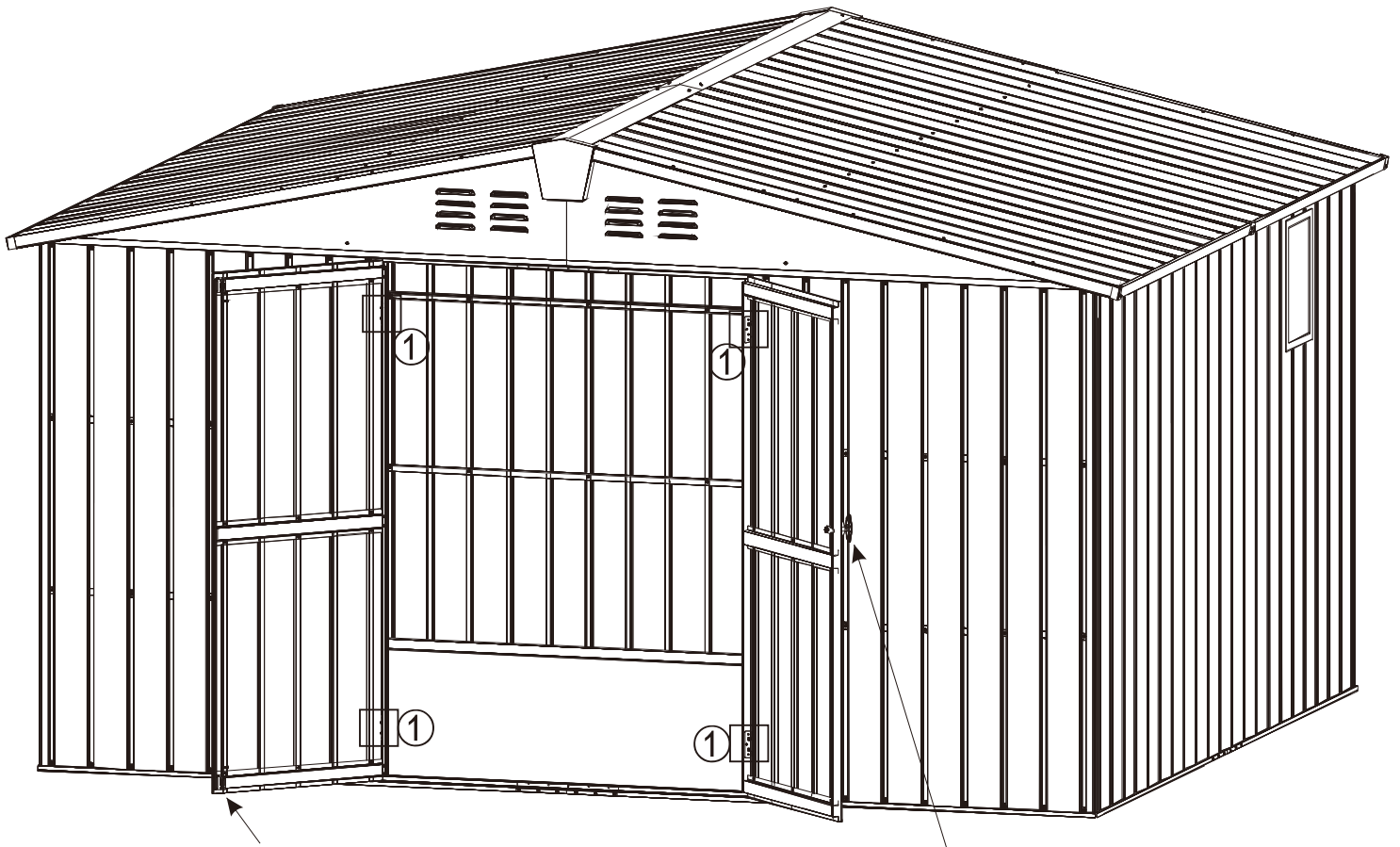
The back side of right door



The front side of right door







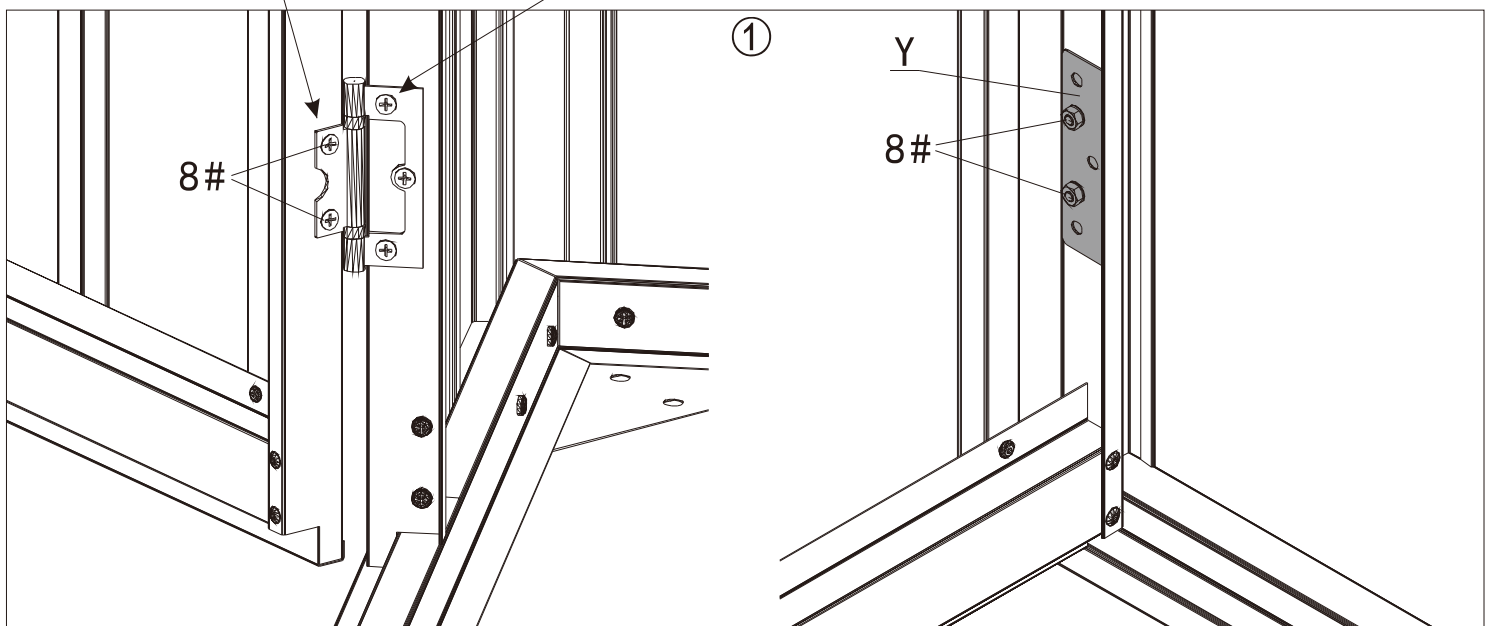
There is a latch on the left door

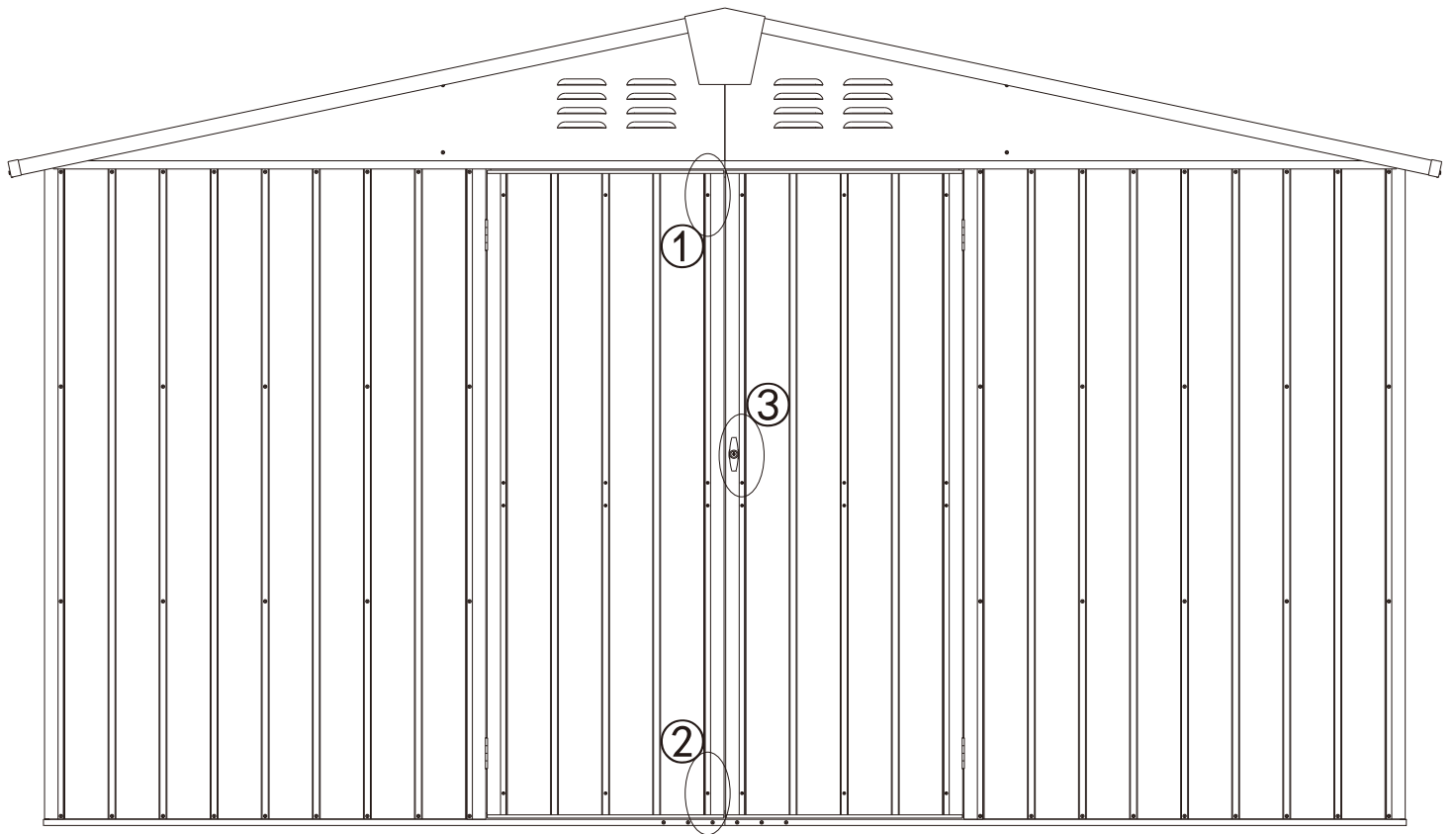
There is a handle on the right door

①:  
This section is need to installed by the user.

Lining board #Y is on the inside of the door frame.

The hinge has been pre-installed on the door frame C1/C2 by our factory.

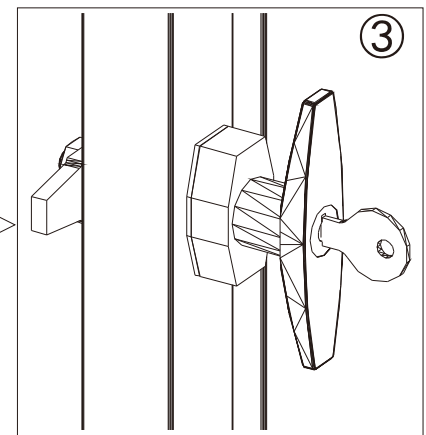
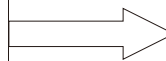
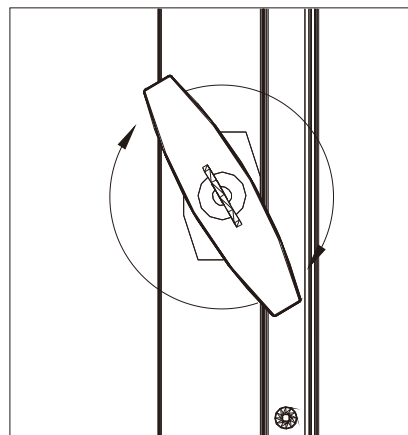
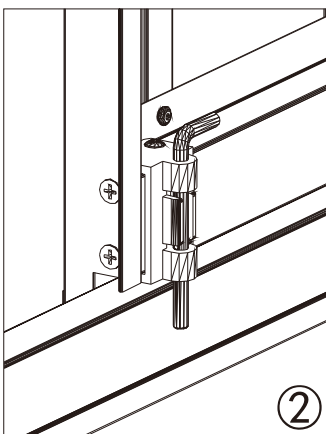
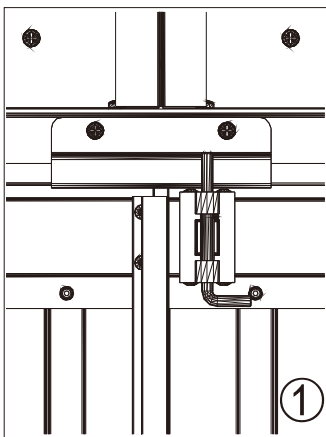




①/②: Insert the latch and lock the left door.

③:

Open the door: insert the key, rotate 180 counterclockwise, and rotate the handle counterclockwise to open the door.  
 Lock the door: close the door, insert the key, rotate the handle clockwise, then rotate the key 180 clockwise and pull the key out.



# Thanks for your purchase.

At domi outdoor living, we believe in our products.

That's why we provide a 12-month warranty and

friendly, easy-to-reach after-sales service. So if you

have any questions about our product and assembly-

,please feel free to contact us. We will be here for you.

**Support:**



**After-sales contact email:**

[service@domioutdoorliving.com](mailto:service@domioutdoorliving.com)

Please tell us your order ID when contact.

Attach photos of damaged part for instant reply.